

PARTS LIST

MS419ECH

CONTENTS

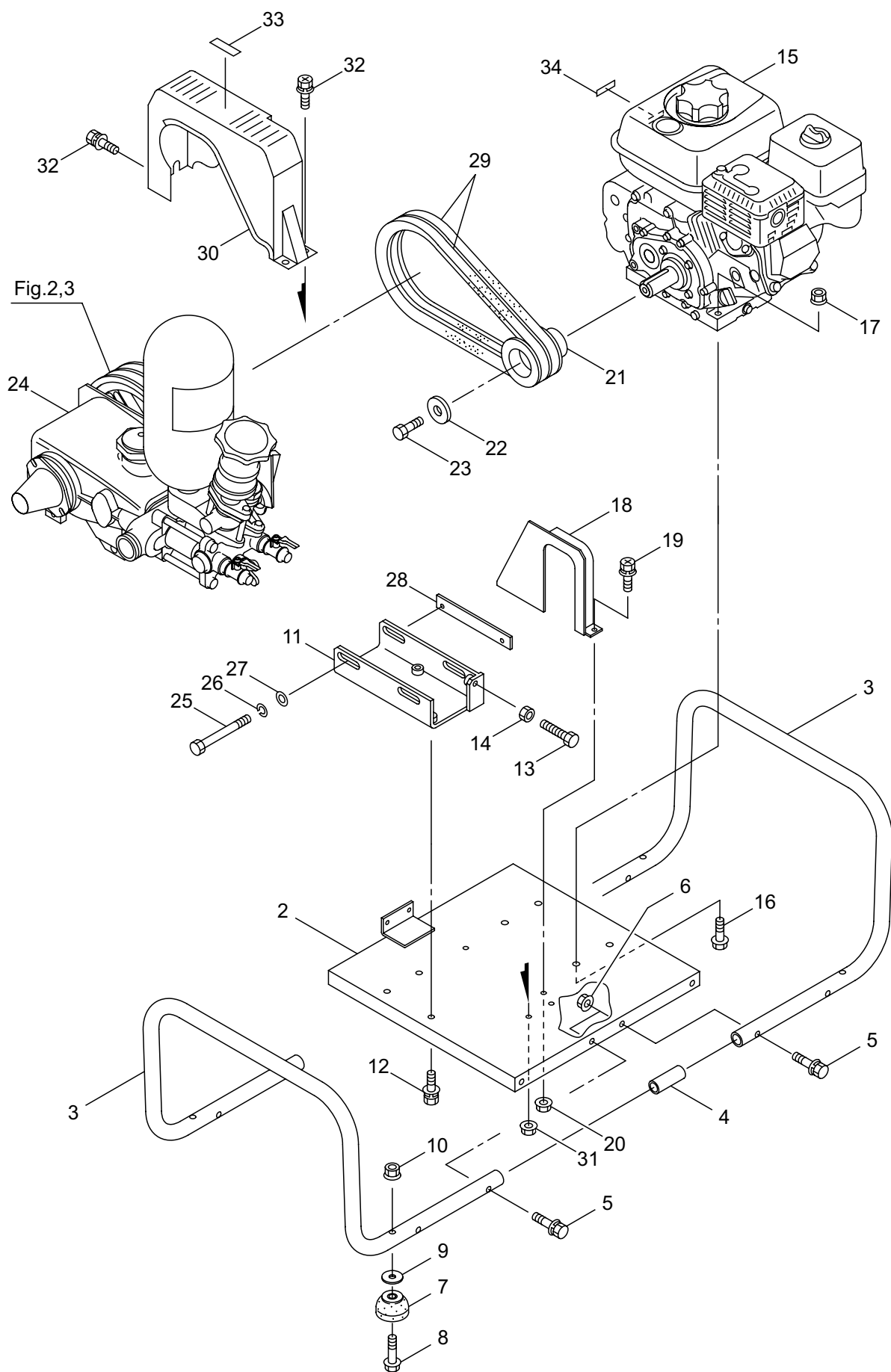
1. MAIN BODY	1
2. POWER SPRAYER (CRANKCASE, SUCTION VALVE).....	3
3. POWER SPRAYER (PRESSURE REGULATOR VALVE) ...	7
4. ACCESSORIES	11

2026. 04.



P/N 526009

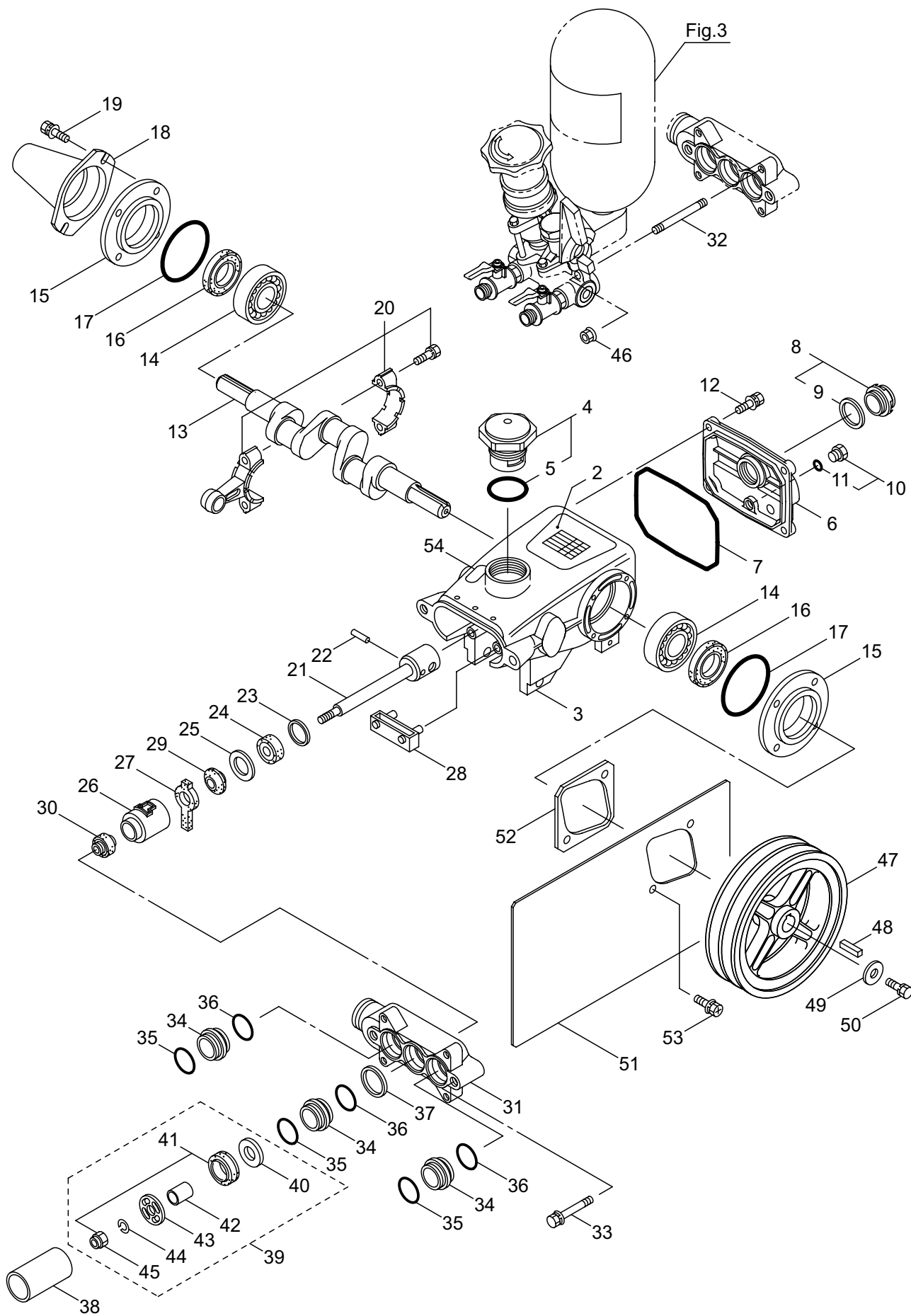
MS419ECH
1. MAIN BODY



Ref. No.	Part No.	Part Name	Q'ty	Remarks
1-1	358779	MS419ECH	1	
1-2	835052	Base	1	
1-3	835054	Handle	2	
1-4	549756	Pipe	2	17.9x21.7x56L
1-5	092517	Bolt	8	M8x40
1-6	126201	Nut	8	M8
1-7	543921	Buffer	4	
1-8	092581	Bolt	4	M8x50
1-9	019059	Washer	4	8.5x25xt2.6
1-10	126201	Nut	4	M8
1-11	545640	Rail	1	
1-12	126763	Bolt	3	M8x20(SM)
1-13	080178	Bolt	1	M8x60
1-14	126521	Nut	1	M8
1-15	835055	Engine	1	GX160UT2_LX2
1-16	549532	Bolt	4	M8x35
1-17	126201	Nut	4	M8
1-18	835074	Stay	1	
1-19	092501	Bolt	2	M6x16
1-20	126756	Nut	2	M6
1-21	540379	V-Pulley	1	89-Ax2
1-22	090116	Washer	1	8.5x34x3.2
1-23	126258	Bolt	1	M8x20
1-24	818484	Power Sprayer	1	MS417
1-25	126200	Bolt	2	M8x115x30
1-26	126232	Spring Washer	2	M8
1-27	127216	Washer	2	M8
1-28	549784	Plate Nut	1	M8
1-29	106384	V-Belt	2	A26
1-30	111218	Belt Cover	1	
1-31	126756	Nut	2	M6
1-32	092501	Bolt	4	M6x16
1-33	542232	Label	1	MARUYAMA
1-34	660222	Label	1	PBH

MS419ECH

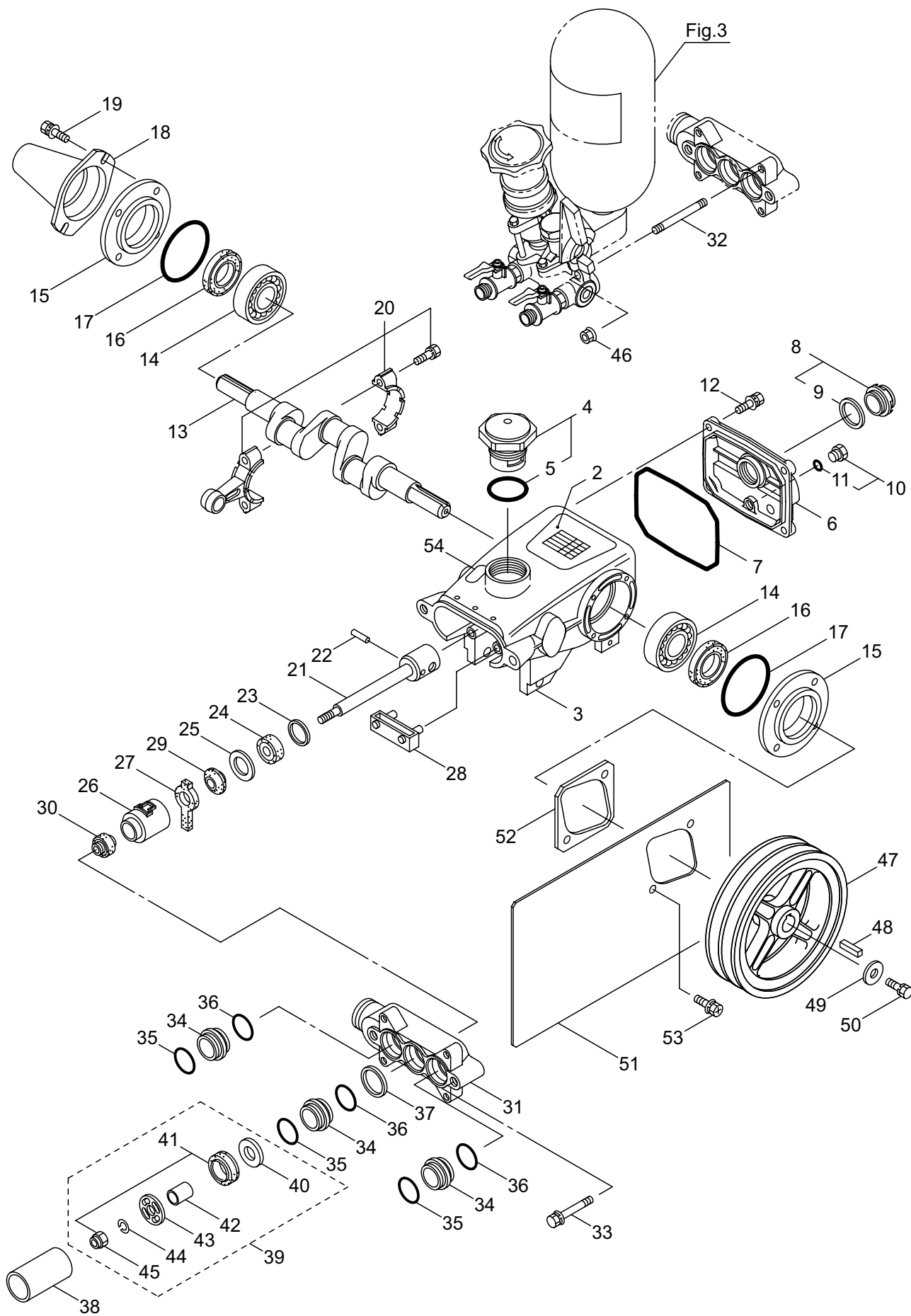
2. POWER SPRAYER (CRANKCASE, SUCTION VALVE)



Ref. No.	Part No.	Part Name	Q'ty	Remarks
2-1	818484	Power Sprayer	1	MS417
2-2	666942	Label	1	MS419
2-3	664426	Crankcase	1	
2-4	091264	Oil Filler Cap	1	Incl.5
2-5	014177	O-Ring	1	P35
2-6	664481	Crankcase Cover	1	
2-7	048773	O-Ring	1	119x96x2.0
2-8	092241	Oil Gauge Ass'y	1	Incl.9 G1/4
2-9	044428	Packing	1	25x34xt2
2-10	091376	Drain Plug	1	Incl.11, G1/4
2-11	023170	O-Ring	1	P12.5
2-12	125824	Bolt	4	M6x16
2-13	103921	Crankshaft	1	
2-14	014487	Bearing	2	#6304
2-15	664460	Oil Seal Case	2	
2-16	024159	Oil Seal	2	D204010
2-17	026536	O-Ring	2	51.8x1.5
2-18	025130	Shaft Protector	1	
2-19	125824	Bolt	8	M6x16
2-20	048734	Connecting Rod Ass'y	3	
2-21	120827	Piston Rod	3	
2-22	016948	Piston Pin	3	9x22L
2-23	126259	Washer	3	17x24xT1.2
2-24	025461	Oil Seal	3	S10.5247
2-25	126189	Washer	3	20x28xT1.2
2-26	027710	Seal Retainer	3	
2-27	130515	Felt Packing	3	
2-28	027712	Oil Pan	1	
2-29	026853	Packing	3	
2-30	100015	Seal	3	
2-31	105507	Inlet Manifold	1	
2-32	130492	Stud	4	M8x110x11x18
2-33	128352	Bolt	2	M8X45
2-34	130534	Adapter	3	
2-35	015862	O-Ring	3	P21
2-36	023172	O-Ring	3	P22
2-37	105508	Packing	1	26x28.5xt0.5
2-38	666909	Cylinder Pipe	3	25x28.6x55
2-39	632583	Inlet Valve Ass'y	3	Incl.40-45
2-40	014122	Inlet Valve Seat	3	6.1x20xt2.8
2-41	632586	Piston Packing Set	3	Incl.42
2-42	027499	Spacer	3	6x8.5x11L
2-43	119917	Retainer, Piston	3	
2-44	015849	Spring Washer	3	M6
2-45	046365	Nylon Nut	3	M6

MS419ECH

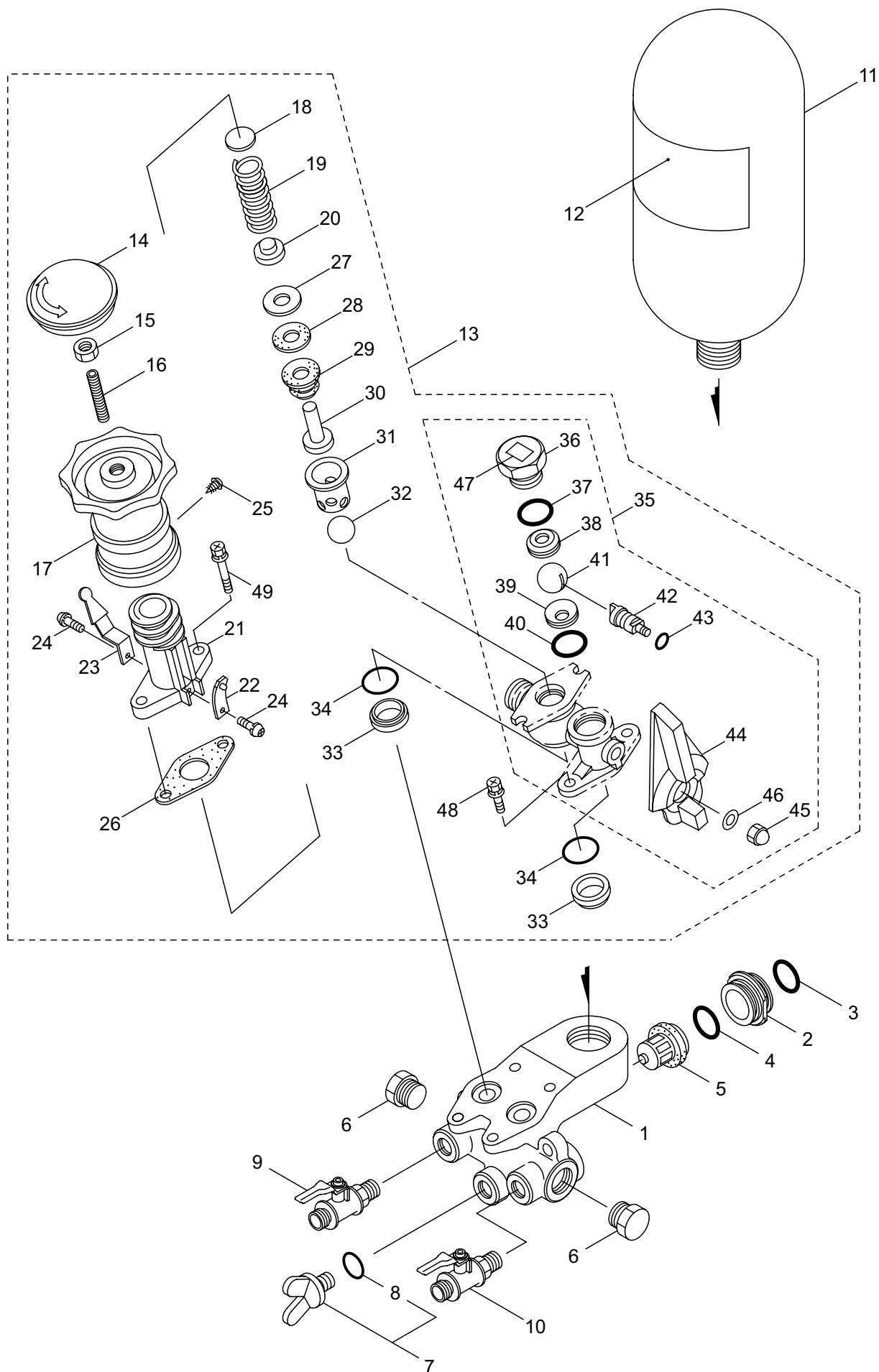
2. POWER SPRAYER (CRANKCASE, SUCTION VALVE)



Ref. No.	Part No.	Part Name	Q'ty	Remarks
2-46	126201	Nut	4	M8
2-47	100837	V-Pulley	1	152-Ax2
2-48	014543	Key	1	5x5x25L
2-49	126198	Washer	1	8.5x30xT3.2
2-50	126258	Bolt	1	M8x20
2-51	835056	Plate	1	M6x20
2-52	835062	Plate	1	
2-53	126541	Bolt	2	
2-54	102167	Label	1	

MS419ECH

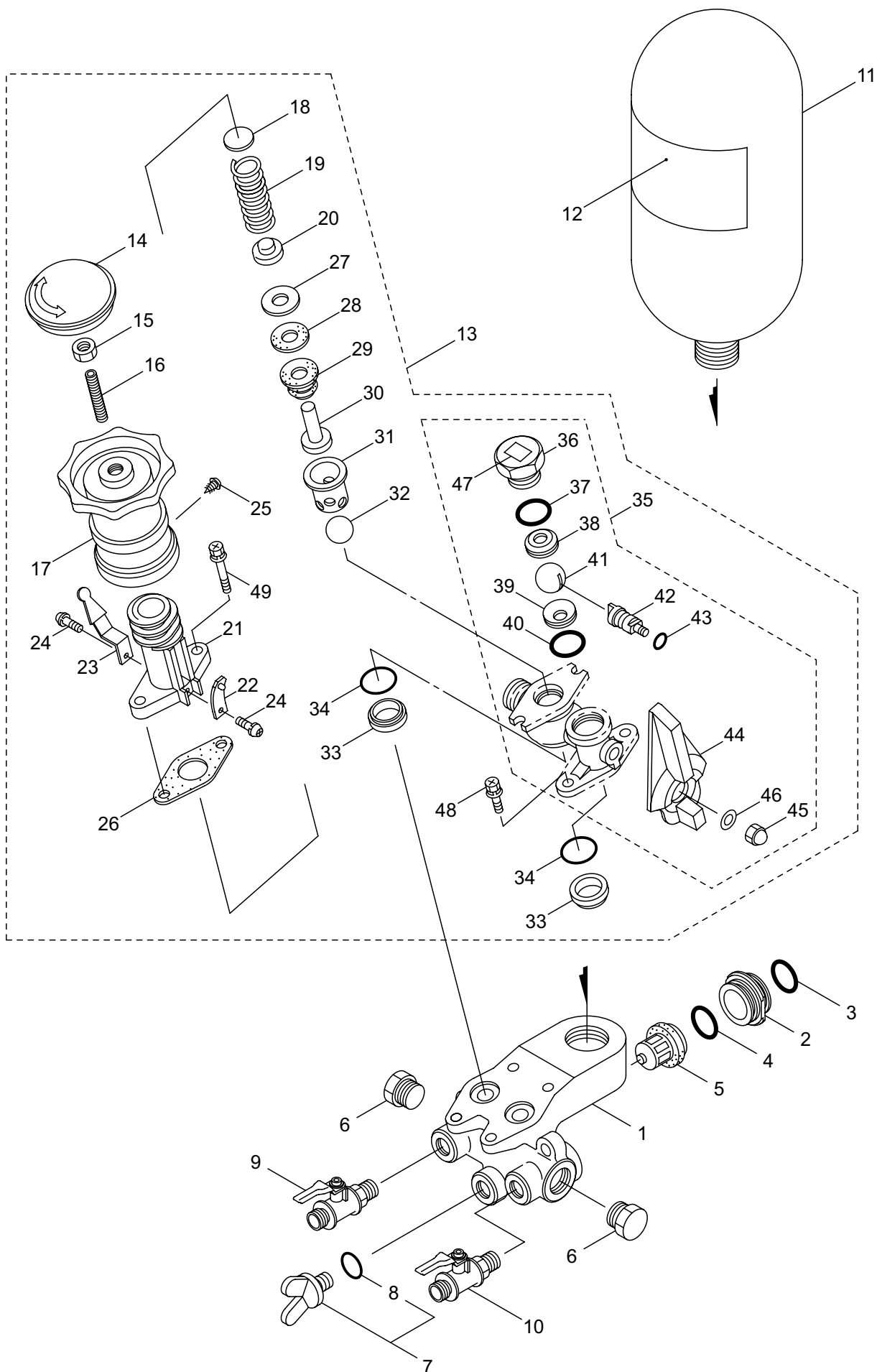
3. POWER SPRAYER (PRESSURE REGULATOR VALVE)



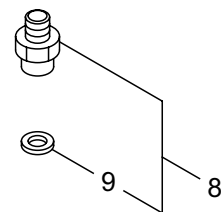
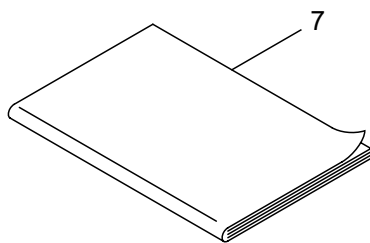
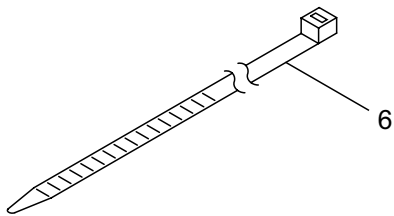
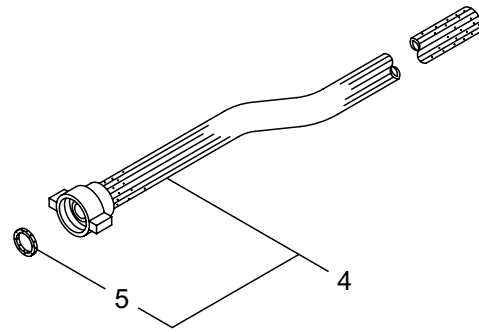
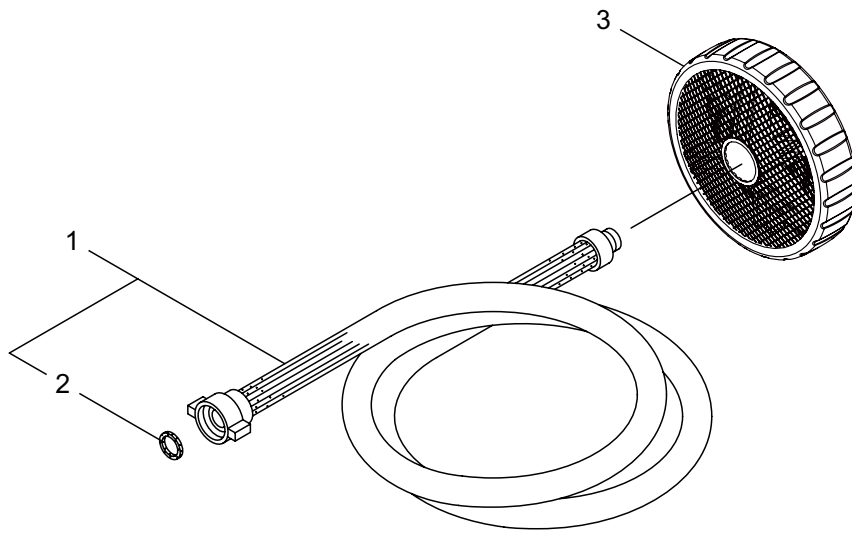
Ref. No.	Part No.	Part Name	Q'ty	Remarks
3-1	120831	Discharge Manifold	1	
3-2	130537	Adapter	3	
3-3	015862	O-Ring	3	P21
3-4	023172	O-Ring	3	P22
3-5	120276	Discharge Valve Ass'y	3	
3-6	108368	Plug	2	R1/2
3-7	632737	Plug Ass'y	1	Incl.8 G1/4
3-8	023170	O-Ring	1	P12.5
3-9	666925	Cock Ass'y	1	G1/4xR1/4
3-10	666927	Cock Ass'y	1	G3/8xR3/8
3-11	130548	Air Chamber	1	
3-12	666939	Label	1	ADVANCE FLOW
3-13	664597	Pressure Regulator Valve Ass'y	1	Incl.14-49
3-14	130910	Cap	1	
3-15	126195	Nut	1	M10
3-16	088975	Screw	1	M10x49
3-17	663939	Grip	1	
3-18	126196	Retainer	1	17x2.3
3-19	105520	Spring	1	
3-20	105521	Retainer	1	
3-21	105522	Case	1	
3-22	108474	Plate Spring	1	
3-23	105524	Indicator	1	
3-24	816018	Screw	2	M4x0.7x8
3-25	089899	Tapping Screw	1	M4x13
3-26	105527	Packing	1	
3-27	012255	Washer	1	6.2x22xt0.6
3-28	016972	Bellows Packing	1	5x22xt1.5
3-29	011451	Bellows	1	
3-30	124188	Valve Rod	1	
3-31	109026	Retainer	1	Stainless steel
3-32	107238	Valve Ball	1	12.7(1/2)
3-33	020971	Valve Seat	2	10x20xt6.5
3-34	014179	O-Ring	2	P20
3-35	121014	By-pass Valve Ass'y	1	Incl.36-47
3-36	121689	Ball Retainer	1	
3-37	013971	O-Ring	1	S20
3-38	121690	Valve Seat	1	
3-39	121691	Valve Seat	1	
3-40	013967	O-Ring	1	S14
3-41	120840	Ball Valve	1	
3-42	120841	Ball Retainer	1	
3-43	013918	O-Ring	1	S5
3-44	121007	Handle	1	
3-45	100166	Nut	1	M5

MS419ECH

3. POWER SPRAYER (PRESSURE REGULATOR VALVE)



MS419ECH
4. ACCESSORIES



Ref. No.	Part No.	Part Name	Q'ty	Remarks
4-1	811356	Suction Hose Ass'y	1	Incl.2 19x1Bx3000L
4-2	103686	Packing	1	18.5x24xt2
4-3	666811	Suction Strainer Ass'y	1	G1
4-4	811357	Spill Hose Ass'y	1	Incl.5 13x19x3000L
4-5	103685	Packing	1	12x18.5xt1.5
4-6	107107	Band	1	
4-7	565135	Instruction Manual	1	MS319-759
4-8	811343	Extension Ass'y	1	Incl.9 G3/8xG1/4
4-9	011205	Packing	1	11.5x16.5xt1.