

PARTS LIST

MS339ECH

CONTENTS

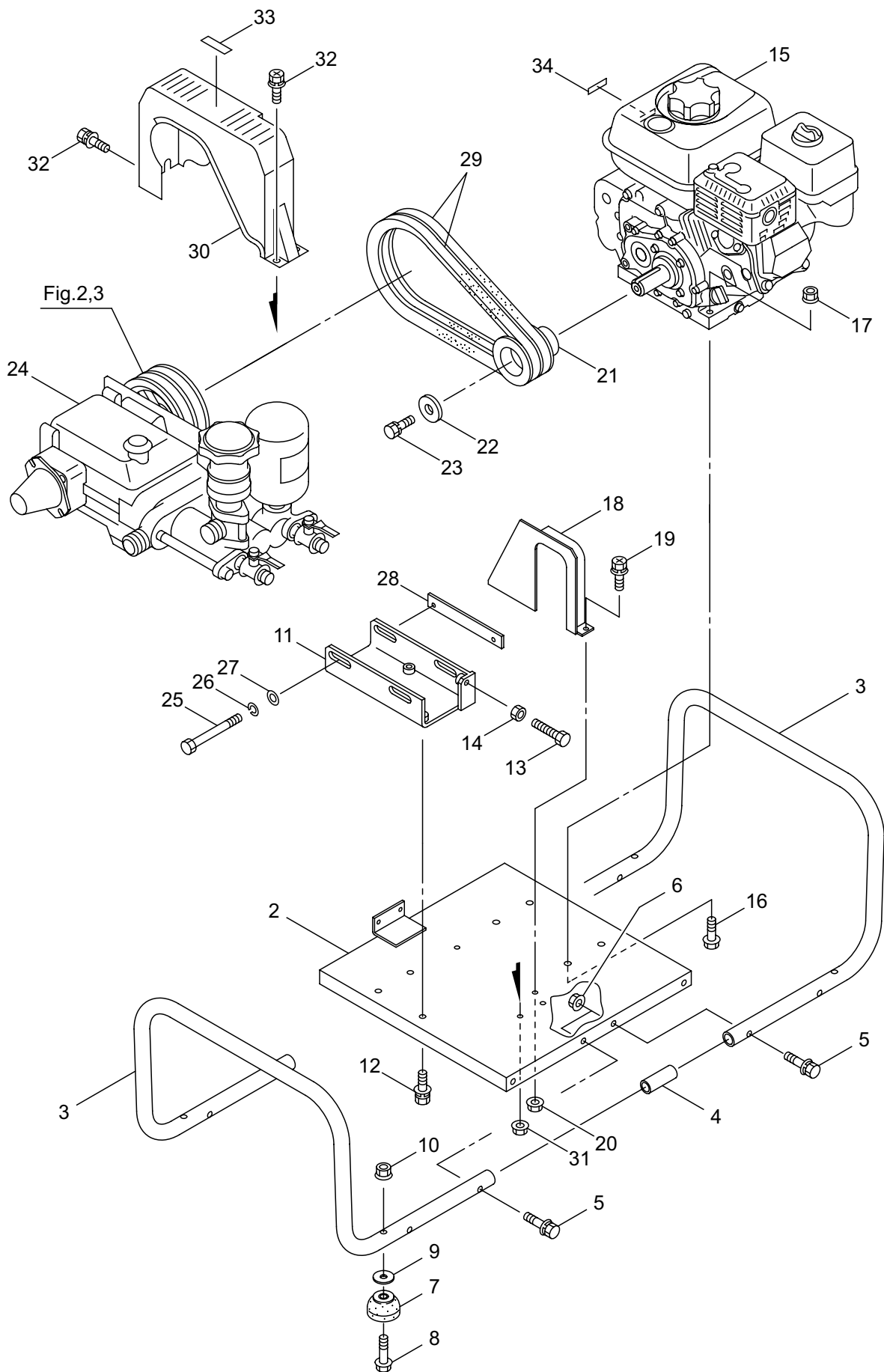
1. MAIN BODY	1
2. POWER SPRAYER (CRANKCASE, SUCTION VALVE)	3
3. POWER SPRAYER (PRESSURE REGULATOR VALVE)	7
4. ACCESSORIES	9

2026. 04.



P/N 526008

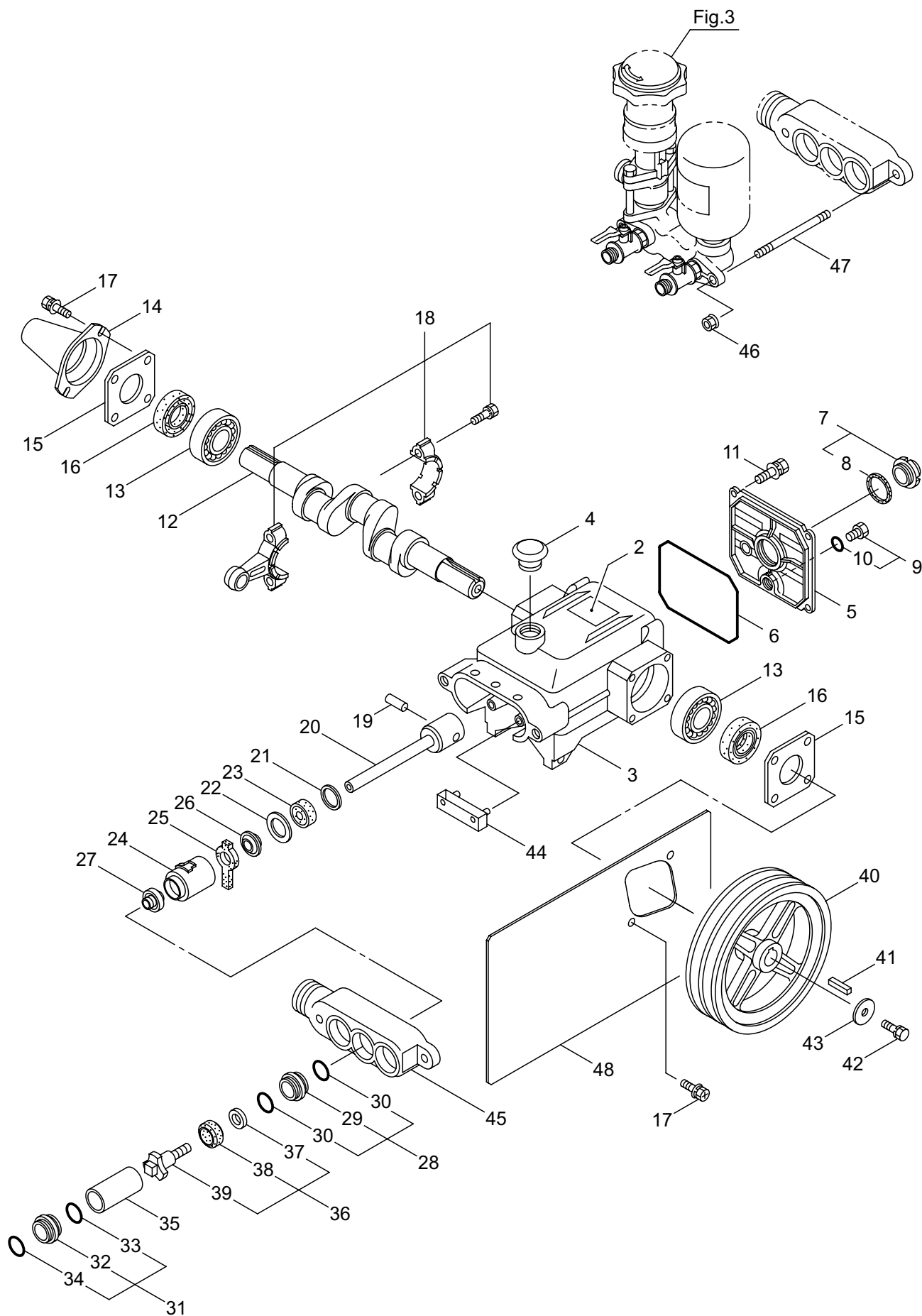
MS339ECH
1. MAIN BODY



Ref. No.	Part No.	Part Name	Q'ty	Remarks
1-1	358778	MS339ECH	1	
1-2	835052	Base	1	
1-3	835054	Handle	2	
1-4	549756	Pipe	2	17.9x21.7x56L
1-5	092517	Bolt	8	M8x40
1-6	126201	Nut	8	M8
1-7	543921	Buffer	4	
1-8	092581	Bolt	4	M8x50
1-9	019059	Washer	4	8.5x25xt2.6
1-10	126201	Nut	4	M8
1-11	545640	Rail	1	
1-12	126763	Bolt	3	M8x20(SM)
1-13	080178	Bolt	1	M8x60
1-14	126521	Nut	1	M8
1-15	835055	Engine	1	GX160UT2_LX2
1-16	549532	Bolt	4	M8x35
1-17	126201	Nut	4	M8
1-18	835074	Stay	1	
1-19	092501	Bolt	2	M6x16
1-20	126756	Nut	2	M6
1-21	540379	V-Pulley	1	89-Ax2
1-22	090116	Washer	1	8.5x34x3.2
1-23	126258	Bolt	1	M8x20
1-24	818743	MS332	1	
1-25	126200	Bolt	2	M8x115x30
1-26	126232	Spring Washer	2	M8
1-27	127216	Washer	2	M8
1-28	549784	Plate Nut	1	M8
1-29	106384	V-Belt	2	A26
1-30	111218	Belt Cover	1	
1-31	126756	Nut	2	M6
1-32	092501	Bolt	4	M6x16
1-33	542232	Label	1	MARUYAMA
1-34	660222	Label	1	PBH

MS339ECH

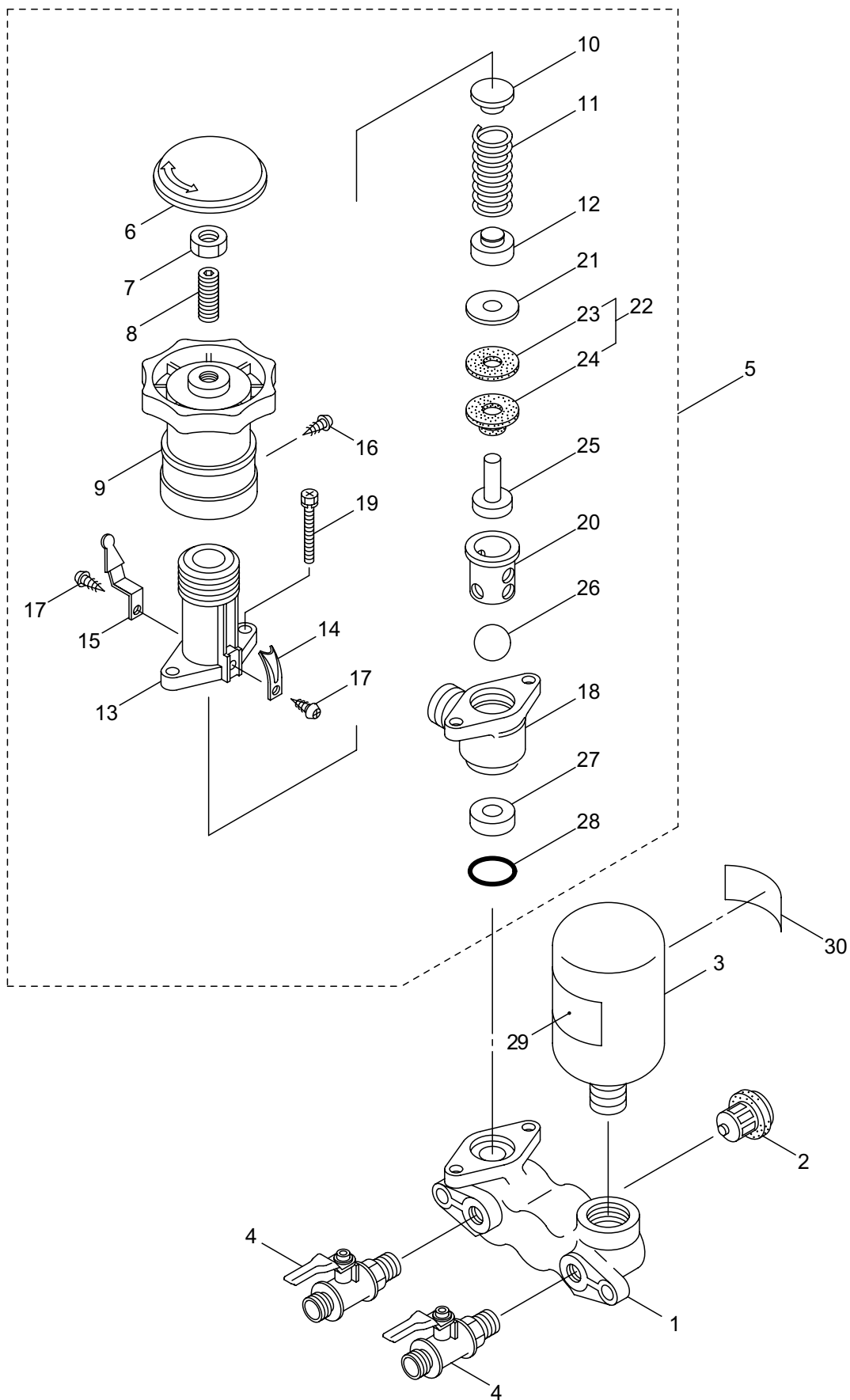
2. POWER SPRAYER (CRANKCASE, SUCTION VALVE)



Ref. No.	Part No.	Part Name	Q'ty	Remarks	
2-1	818743	MS332	1	MS339	
2-2	666944	Label	1		
2-3	566942	Crankcase Ass'y	1		
2-4	117420	Oil Filler Cap	1		
2-5	664503	Rear Cover, Crankcase	1		
2-6	014041	O-Ring	1	S100	
2-7	092241	Oil Gauge Ass'y	1	Incl.8	
2-8	044428	Packing	1	25x34xt2	
2-9	091376	Drain Plug	1	Incl.10, G1/4	
2-10	023170	O-Ring	1	P12.5	
2-11	125824	Bolt	4	M6x16	
2-12	103921	Crankshaft	1	#6304	
2-13	014487	Bearing	2		
2-14	025130	Shaft Protector	1		
2-15	117424	Plate	2		
2-16	117423	Oil Seal	2	TC20528	
2-17	125824	Bolt	4	M6x16	
2-18	048734	Connecting Rod Ass'y	3	9x22L	
2-19	016948	Piston Pin	3		
2-20	131358	Piston Rod	3		
2-21	126259	Washer	3		17x24xT1.2
2-22	126189	Washer	3	20x28xT1.2	
2-23	025461	Oil Seal	3	S10.5247	
2-24	027710	Seal Retainer	3	Incl.29,30	
2-25	130515	Felt Packing	3		
2-26	026853	Packing	3		
2-27	100015	Seal	3		
2-28	091109	Adapter Ass'y	3		
2-29	016957	Adapter	3	P21	
2-30	015862	O-Ring	6		
2-31	091108	Adapter Ass'y	3		Incl.32-34
2-32	022931	Adapter	3		
2-33	015862	O-Ring	3		
2-34	023172	O-Ring	3	P22	
2-35	666909	Cylinder Pipe	3	25x28.6x55	
2-36	620661	Inlet Valve Ass'y	3	Incl.37-39	
2-37	014122	Inlet Valve Seat	3	6.1x20xt2.8	
2-38	116121	Piston Packing	3	152-Ax2	
2-39	118628	Piston Retainer	3		
2-40	100837	V-Pulley	1		
2-41	014543	Key	1		5x5x25L
2-42	126258	Bolt	1	M8x20	
2-43	126198	Washer	1	8.5x30xT3.2	
2-44	027712	Oil Pan	1	Inlet Manifold	
2-45	122895	Inlet Manifold	1		

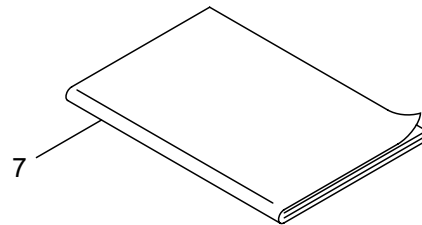
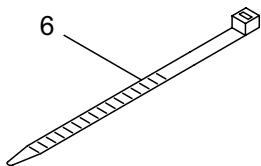
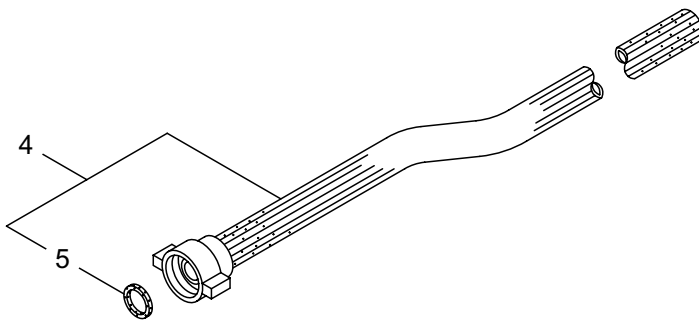
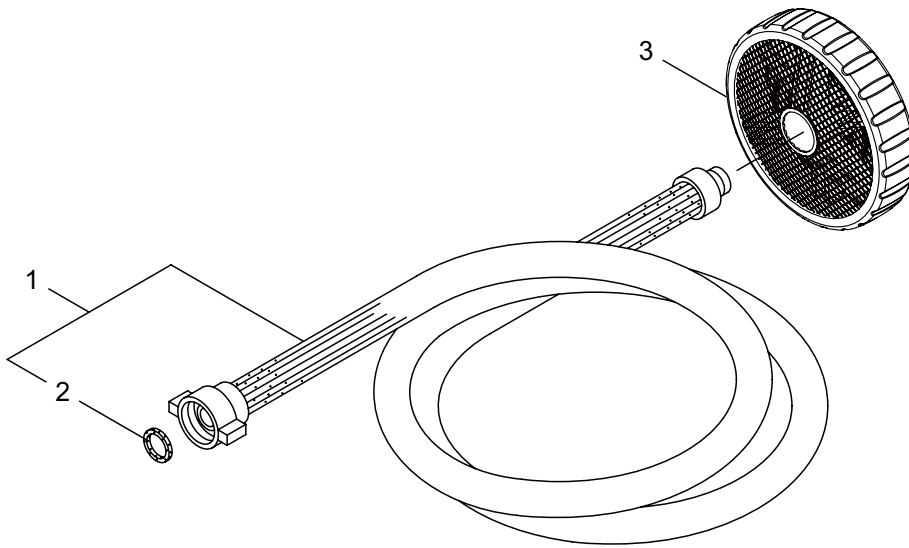
MS339ECH

3. POWER SPRAYER (PRESSURE REGULATOR VALVE)



Ref. No.	Part No.	Part Name	Q'ty	Remarks
3-1	118409	Discharge Manifold	1	
3-2	120276	Discharge Valve Ass'y	3	
3-3	117813	Air Chamber	1	
3-4	666924	□all Valve	2	G1/4xR1/4
3-5	131311	Pressure Regulator Valve Ass'y	1	Incl.6-28
3-6	130910	Cap	1	
3-7	126195	Nut	1	M10
3-8	088975	Screw	1	M10x49
3-9	130911	Grip	1	
3-10	126196	Retainer	1	17x2.3
3-11	105520	Spring	1	
3-12	105521	Retainer	1	
3-13	117448	Case	1	
3-14	117440	Plate	1	
3-15	105524	Indicator	1	
3-16	089882	Screw	2	M4x14L
3-17	127284	Tapping Screw	2	M4x6
3-18	118237	Body	1	
3-19	126197	Bolt	2	M6x55
3-20	012256	Retainer	1	
3-21	012255	Washer	1	6.2x22xt0.6
3-22	595606	Bellows Packing Set	1	Incl.23,24
3-23	016972	Bellows Packing	1	5x22xt1.5
3-24	011451	Bellows	1	
3-25	016975	Valve Rod	1	
3-26	107238	Valve Ball	1	12.7(1/2)
3-27	126246	Valve Seat	1	
3-28	014179	O-Ring	1	P20
3-29	666963	Label	1	Caution
3-30	123043	Label	1	

MS339ECH
4. ACCESSORIES



Ref. No.	Part No.	Part Name	Q'ty	Remarks
4-1	811356	Suction Hose Ass'y	1	Incl.2 19x1Bx3000L
4-2	103686	Packing	1	18.5x24xt2
4-3	666811	Suction Strainer Ass'y	1	G1
4-4	811357	Spill Hose Ass'y	1	Incl.5 13x19x3000L
4-5	103685	Packing	1	12x18.5xt1.5
4-6	107107	Band	1	MS33
4-7	666945	Instruction Manual	1	