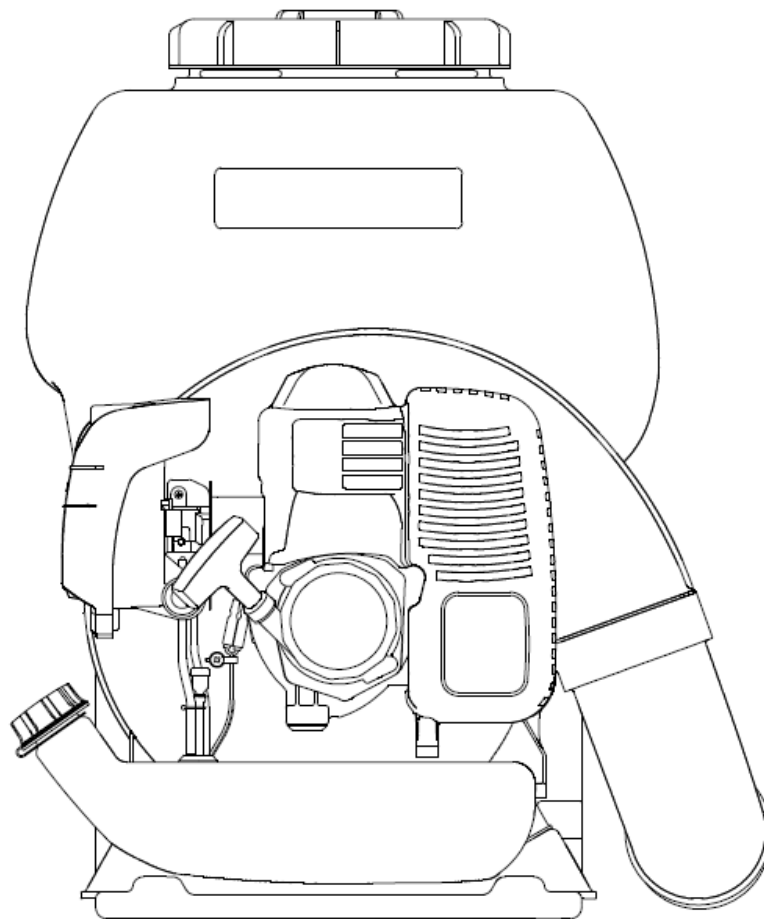


MARUYAMA

OWNER'S/OPERATOR'S MANUAL
MANUAL DEL PROPIETARIO U OPERADOR

Mister
Atomizadore
MM9 2



Premium Outdoor Power Equipment



MARUYAMA *Extraordinary.*

Completely read and understand this manual prior to using this product.

Lisez et assimilez la totalité de ce manuel avant d'utiliser cet appareil.

Lea y entienda este manual a fondo, antes de usar este aparato.

TABLE OF CONTENTS

FOREWORD	1	OPERATING INSTRUCTIONS.....	6
Warning label.....	1	MAINTENANCE.....	8
ASSEMBLY INSTRUCTIONS	3	STORAGE.....	10
BEFORE OPERATION.....	4	SPECIFICATIONS.....	11

FOREWORD

This Owner's/Operator's Manual is designed to familiarize the operator with the various features and component parts of the equipment and to assist you with the assembly, operation and maintenance of your new Mister.

It is essential that any operator of this Mister product reads and understands the contents of this manual before using the Mister.

Important safety instructions will be identified by the following safety symbol:



Failure to comply with the instructions in this manual may result in serious injury or death.

For additional assistance, contact any local authorized Maruyama dealer or Maruyama U.S., Inc., 4770 Mercantile Drive, Suite100, Fort Worth, TX 76137 U.S.A.

Phone : 940-383-7400

Web : www.maruyama-us.com

MANUAL SAFETY SYMBOLS

Throughout this manual and on the product itself, you will find safety alerts and helpful, information message preceded by symbols or key words. The following is an explanation of those symbols and key words and what they mean to you.

	<p>This symbol accompanied by the words WARNING and DANGER calls attention to an act or condition that can lead to serious personal injury to operator and bystanders.</p>
--	--

Warning label

- Always remove dirt or mud to make the indications legible.
- The following alarm labels are attached.



Read Owner's/Operator's Manual thoroughly.

Make sure you read the Owner's/Operator's Manual thoroughly prior to use.



Wear protective gear.

Wear protectors such as hat, safety glasses, ear plugs during work.



Cautions for high temperatures

Muffler of engine, fin of cylinder, etc. are at high temperatures. Don't touch them.



Prohibition of fire

Don't put a naked flame close to a place where supplying fuel or doing maintenance.



Cautions for exhaust gas.

Take care not to breathe in exhaust gas from the engine.



WARNING

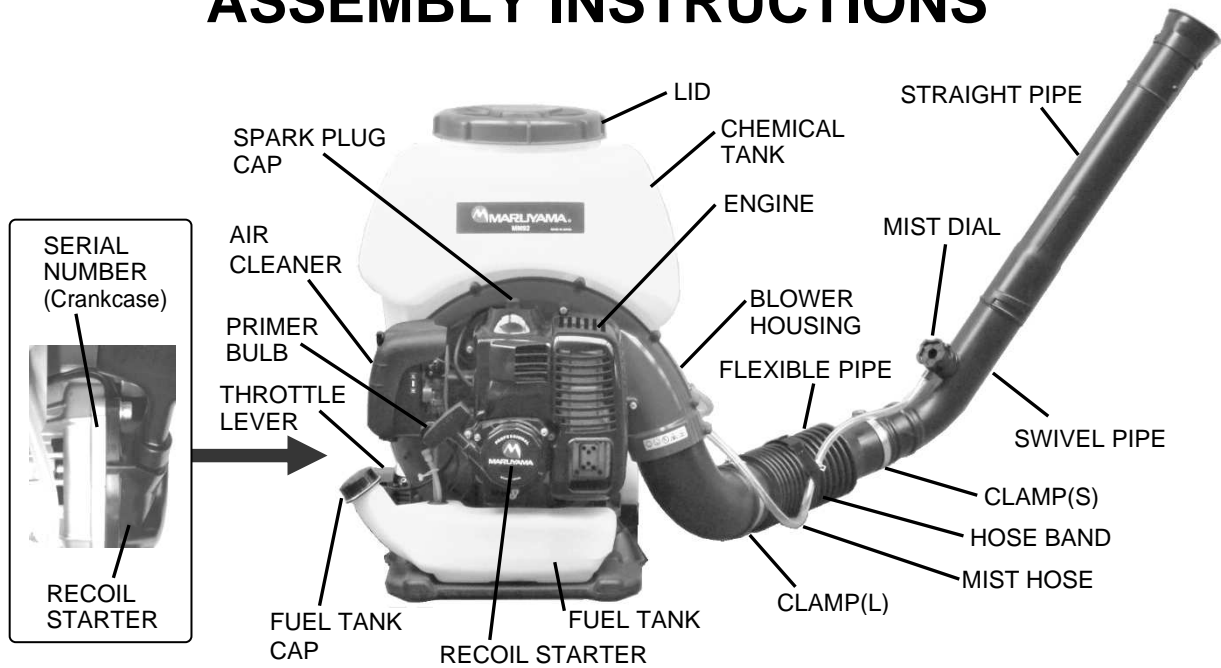


1. Read and understand this Owner's/Operator's Manual before using the this product. Be thoroughly familiar with the proper use of the this product.
2. Never allow children to operate this product. It is not a toy. Never allow adults to operate the unit without first reading the Owner's / Operator's Manual.
3. Become familiar with the controls and know how to stop the engine quickly.
4. Always use eye protection and hearing protection.
5. Keep the area of operation clear of all persons, particularly small children and pets.
6. Do not point the pipe in the direction of people or pets.
7. Never operate a product when you are fatigued, sickness, intoxicated, and pregnant.
8. Never operate a product without proper guards or other protective safety devices in place.
9. Dress properly; do not wear loose clothing or jewelry that can be caught in moving parts. Always wear substantial footwear, long pant, and long sleeved shirt.
10. Gasoline is highly flammable; handle it carefully.
 - A. Do not smoke while handling gasoline.
 - B. Use an approved fuel container for storing the gasoline/oil mixture.
 - C. Do not fill the fuel tank when the engine is hot or running
 - D. Fill the fuel tank outdoors and only up to one-half inch from the top of the tank. Do not fill the filler neck.
 - E. Wipe away any spilled gasoline before starting the engine.
11. Always be sure of your footing; keep a firm hold of the blower pipes, and walk, never run while operating a mist blower.
12. Use the correct accessories. Do not use the product for any job except that for which it is intended.
13. Keep all fasteners tight and be sure the Mist Blower is in safe working condition. Follow the maintenance instructions provided on page 8 - 10 of this manual.
14. Do not put hands or feet near or under the rotating parts. Keep clear at all times.
15. If this product should start to vibrate abnormally, stop the engine immediately and check for the cause. Vibration is generally a warning of trouble.
16. Avoid using this product near rocks, gravel, stones and similar matter in order to avoid dangerous flying debris.
17. Use this product only in daylight or good artificial light.
18. Do not allow bystanders in work area.
19. Do not operate without guard(s) in place.
20. Do not operate in unventilated area.
21. To reduce the risk of injury associated with the inhalation of dust, use a face filter mask in dusty conditions.
22. To reduce the risk of injury associated with contacting rotating part, stop the engine before installing or removing attachments.
23. To reduce the risk of fire and burn injury:
 - Move at least 10ft (3m) away from the fueling point before starting engine.
 - Always store gasoline in approved container.

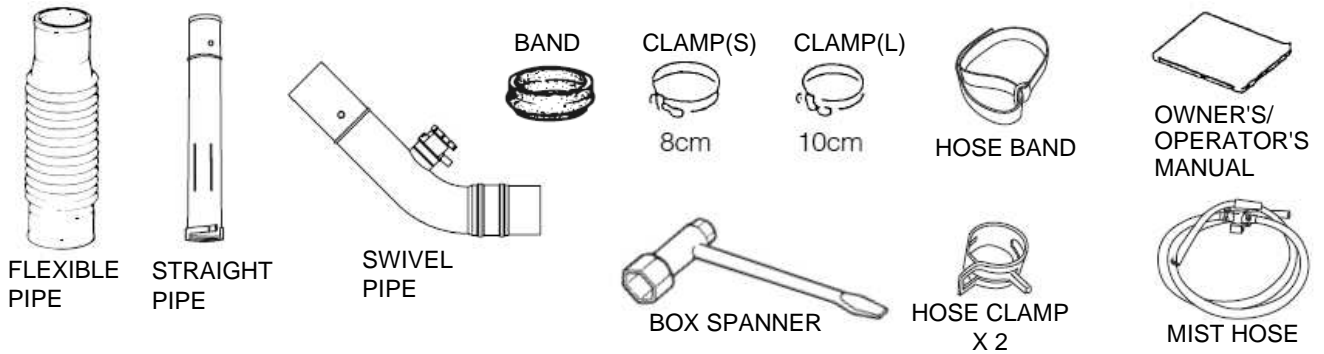
Operating techniques

- A. Operate power equipment only at reasonable hours - not early in the morning or late at night when people might be disturbed. Comply with times listed in local ordinances. Usual recommendations are 9:00 am. to 5:00 p.m., Monday through Saturday.
- B. To reduce noise levels, limit the number of pieces of equipment used at any one time.
- C. To reduce noise levels, operate this product at the lowest possible throttle speed to do the job.
- D. Check your equipment before operation, especially the muffler, air intakes, and air filters.
- E. Use rakes and brooms to loosen debris before blowing.
- F. In dusty conditions, slightly dampen surfaces when water is available.
- G. Conserve water by using this product instead of hoses for many lawn and garden applications, including areas such as gutters, screens, patios, grills, porches, and gardens.
- H. Watch out for children, pets, open windows, or freshly washed cars, and blow debris safely away.
- I. Use the full blower nozzle extension so the air stream can work close to the ground.
- J. After using this product and other equipment, CLEAN UP! Dispose of debris in trash receptacles.

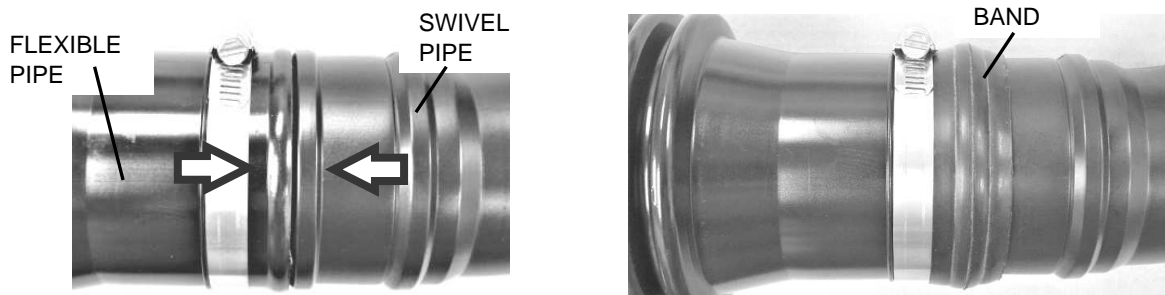
ASSEMBLY INSTRUCTIONS



STEP #1) Locate and identify all the components (see sketch).

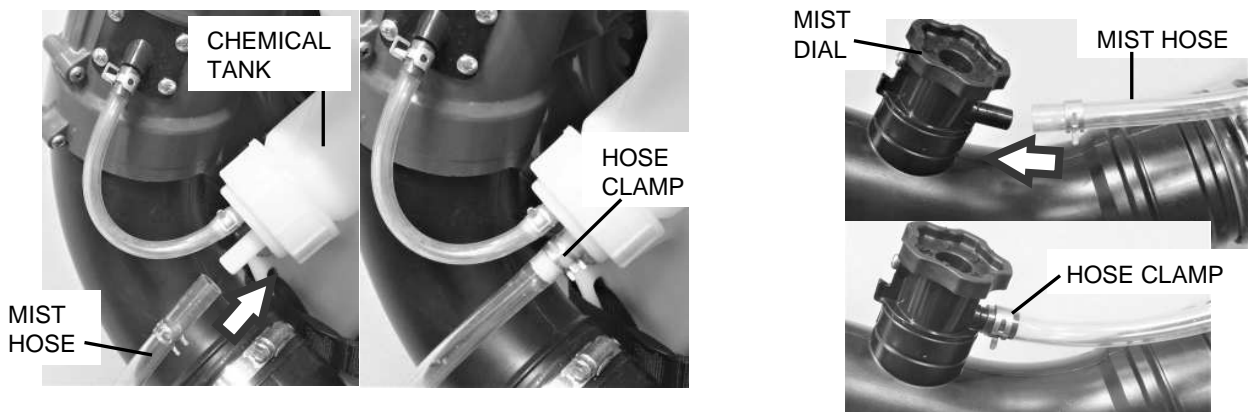


STEP #2) With a flat head screwdriver, use a CLAMP(L) to connect the FLEXIBLE PIPE to the BENT PIPE. Next, using a CLAMP(S), insert the swivel pipe completely into the flexible pipe. Tighten with screwdriver. Then put the band on the seams.



STEP #3) Assemble the STRAIGHT PIPE to the swivel pipe (see sketch).

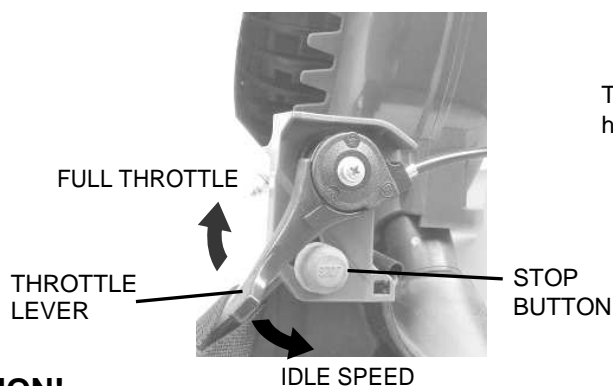
STEP #4) Connect the Mist hose to the Mist Dial and Chemical tank. (see sketch)



BEFORE OPERATION

Be sure the Mister is correctly assembled and all fasteners and fittings are properly secured.

THROTTLE LEVER



The lowest position of lever is "IDLE" setting, and the highest position is the "FULL THROTTLE" setting.

CAUTION!

1. Shutting Engine Off

Before shutting the engine off, allow it to idle for a short while.

- Never stop the engine by closing the choke.
- Never stop the engine during operation while running above idle speed.

2. Transporting and Storage

- Shut off the engine and allow it to cool before transporting or storing the unit.
- Do not put the unit on dry grass or near any flammable object unless the engine is cold or cooled down.

Chemicals

- Read the labels of chemicals to be used carefully and understand the method of use and cautions. Use the chemicals directly after opening the package. Chemicals left for a long time after the package is open may cause poor discharging due to moisture absorption.
- Mistaking the discharge quantity or category of chemicals may cause damage.
- Do not leave the chemicals in the chemical tank for a long time. The machine might malfunction.
- Store chemicals in a safe place, and be careful not to break open their containers during transportation.
- Treat chemical containers to ensure safety.
- Dispose the used chemical or fertilizer bags in a manner that will not cause injury.
- Pay attention to the handling of chemicals and fertilizer. If a chemical enters into eye or mouth, wash it off with water immediately. If you feel ill, see a doctor immediately.
- According to wind direction, change the discharging method to protect workers and houses. When discharging chemicals, work from upwind to downwind. Also give consideration to prevent chemicals from drifting or scattering on crops, enclosures, fish-breeding ponds, and houses nearby.
- When preparing chemicals, prepare the necessary amount only in accordance with the established spraying plan. If too much chemicals are left over, action is difficult.

RECOMMENDED FUEL TYPE

Use clean, fresh lead-free gasoline, including oxygenated or reformulated gasoline, with an octane rating of 85 or higher. To ensure freshness, purchase only the quantity of gasoline that can be used in 30 days. Use of lead-free gasoline results in fewer combustion chamber deposits and longer spark plug life. Use of premium grade fuel is not necessary or recommended.

CAUTION!

IMPORTANT: Never use methanol, gasoline containing methanol, gasohol containing more than 10% ethanol, premium gasoline, or white gas because engine fuel system damage could result.

Do not use fuel additives other than those manufactured for fuel stabilization during storage such as MARUYAMA's stabilizer/conditioner or a similar product.

MARUYAMA's stabilizer/conditioner is a petroleum distillate based conditioner/stabilizer.

MARUYAMA does not recommend stabilizers with an alcohol base such as ethanol, methanol or isopropyl. Additives should not be used to try to enhance the power or performance of machine.

FUEL: MIXING GASOLINE AND OIL

CAUTION! The engine used on this Mist blower is of a 2-stroke design. The internal moving parts of the engine, i.e., crankshaft bearings, piston pin bearings and piston to cylinder wall contact surfaces, require oil mixed with the gasoline for lubrication. Failure to add oil to the gasoline or failure to mix oil with the gasoline at the appropriate ratio will cause major engine damage which will void your warranty. For your fuel premix, only use Maruyama 50:1 2-Stroke Oil or quality oil designed for 2-stroke air-cooled engine.

⚠ WARNING ⚠	
Gasoline is extremely flammable and can be explosive under certain conditions. Turn the engine switch OFF. Do not smoke. Make sure the area is well ventilated and free from any source of flame or sparks : this includes any appliance with a pilot light.	

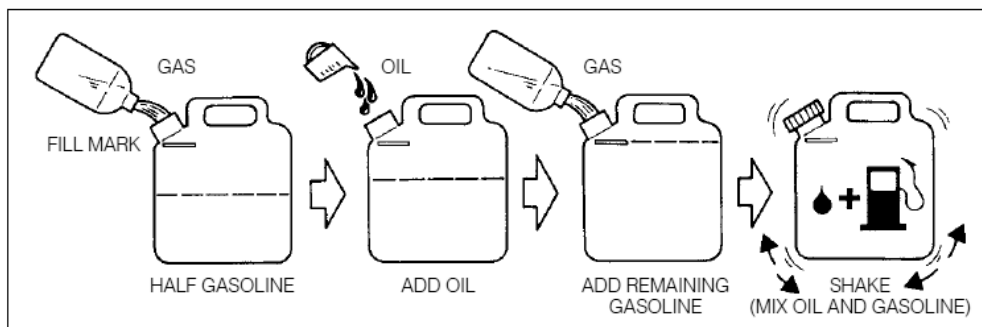
FUEL MIXTURE: When using genuine Maruyama 50:1 2-Stroke Oil, or a quality oil designed for 2- stroke air-cooled engines, oil ratio is 50 parts gasoline to 1 part oil or 50:1.

Gasoline	50:1 two-stroke oil
1 gallon	2.6 oz.
2 gallons	5.1 oz.
5 gallons	12.8 oz.

CAUTION! If Maruyama brand oil is not used, never use a mixing ratio less than 50:1 regardless of the oil package mixing instructions. Ratios less the 50:1, (for example, 60:1, 80:1, 100:1), reduce the amount of lubrication to the internal moving parts of the engine and can cause damage.

1 liter	20mL
5 liters	100mL

MIXING INSTRUCTIONS: Always mix fuel and oil in a clean container approved for gasoline. Mark the container to identify it as fuel mix for the Mist Blower. Use regular unleaded gasoline and fill the container with half the required amount of gasoline. Pour the correct amount of oil into the container then add the remaining amount of gasoline. Close the container tightly and shake it momentarily to evenly mix the oil and the gasoline before filling the fuel tank on the Mist Blower.



When refilling the Mist Blower fuel tank, clean around the fuel tank cap to prevent dirt and debris for entering the tank during cap removal. Always shake the premix fuel container momentarily before filling the fuel tank. Always use a spout or funnel when fueling to reduce fuel spillage. Only fill the tank to within 1/2 inch from the top of the tank. Avoid filling to the top of the tank filler neck.

NOTE:

1. Never mix gasoline and oil directly in the Mist Blower fuel tank.

CAUTION!

1. Do not use National Marine Manufacturer's Association (NMMA) or BIA certified oils. This type of 2-stroke engine oil does not have the proper additives for air-cooled, 2-stroke engines and can cause engine damage.
2. Do not use automotive motor oil. This type of oil does not have the proper additives for air-cooled, 2-stroke engines and can cause engine damage.

OPERATING INSTRUCTIONS

STARTING PROCEDURE

STEP #1)

Move the "MIST DIAL" to the "0" position.



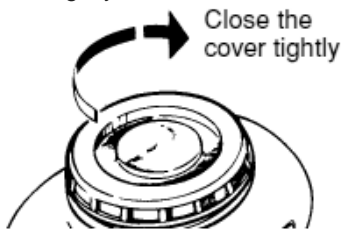
STEP #2)

Pour chemical into the chemical tank.



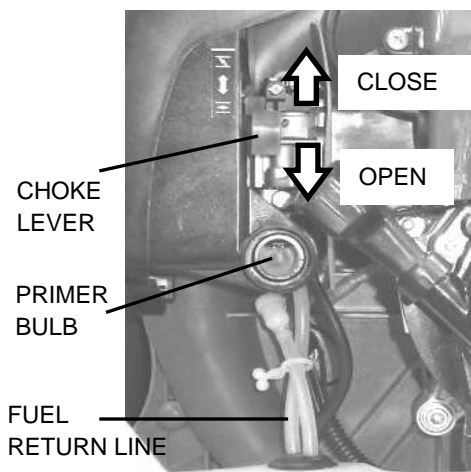
STEP #3)

Close the lid tightly.



STEP #4)

Move the "CHOKE LEVER" fully upward to the closed position. If the engine is already warm, only a partial or open (no choke) choke setting may be required.

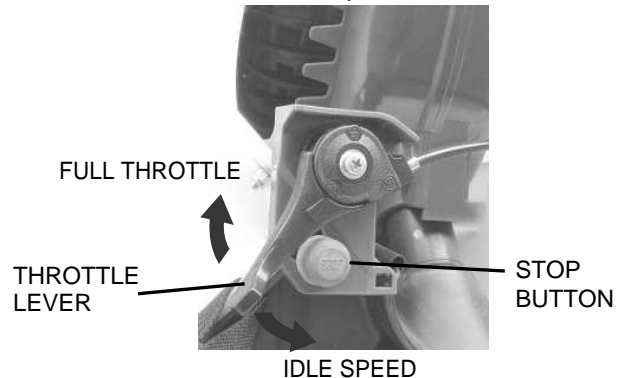


STEP #5)

Move the "CHOKE LEVER" fully upward to the closed position. If the engine is already warm, only a partial or open (no choke) choke setting may be required.

STEP #6)

Set the THROTTLE LEVER at 1/2 speed.

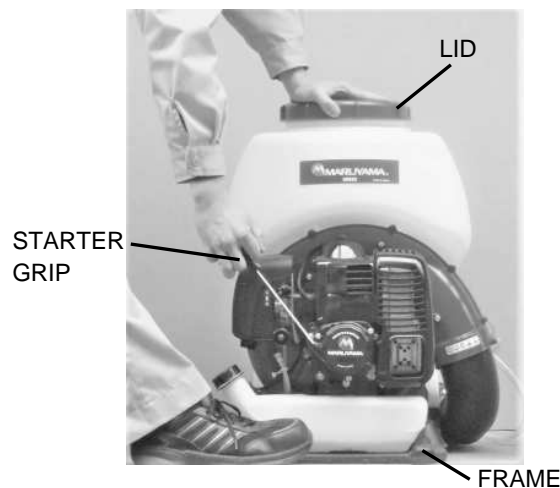


STEP #7)

Press down the "LID" and hold the "FRAME" with your right foot gently.

Pull the "STARTER GRIP" briskly to start the engine.

NOTE: Only short pulls are necessary. Never pull the starter cord to its fullest extension. Never let go of the starter grip until it is at the fully returned position.

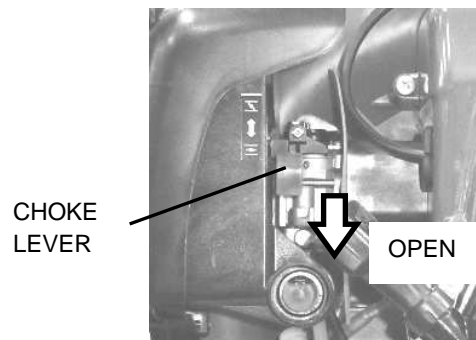


STEP #8)

Warming up the engine.

When the engine has started, slowly move the "CHOKE LEVER" fully downward to the open position.

Allow the engine to "WARM-UP" at less than 1/2 speed.



If a MARUYAMA engine fails to start after following the above procedures, contact an authorized MARUYAMA dealer.

OPERATION

When the engine has warmed-up, the mist blower can be positioned on the back of the operator.

When the mist blower is positioned and ready for operation, adjust the throttle to a speed required to accomplish the task.

! CAUTION

- Avoid using too dense hydrate solution.
- Avoid using highly flammable solutions such as gasoline.

! WARNING

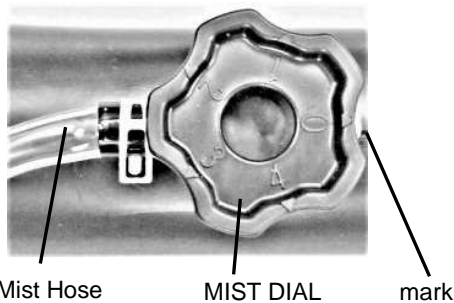
- Never operate a mist blower when you are fatigued.
- Never operate a mist blower without proper guards or other protective safety devices in place.

! WARNING

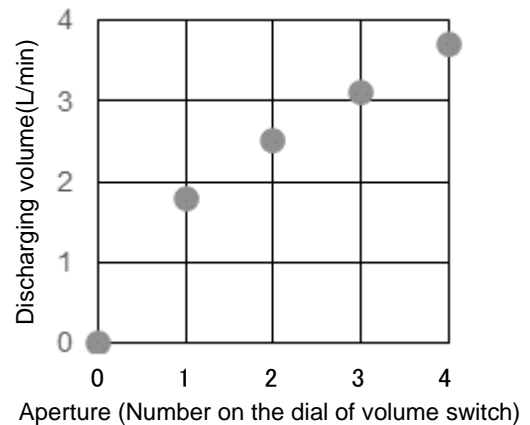
To prevent overheating and engine seizure, cooling air comes from the intake grille of the fan housing and is pushed by the blower fan through an opening in the fan housing over the cylinder fin area, taking away combustion heat. The grille and cylinder fins must be kept clean of grass, dust and any debris. Engine failure due to lack of this "Normal Maintenance" is not covered by warranty.

Adjustment of discharging volume

- Coincide the number on the dial of volume switch with the mark.
- Discharging volume will increase accordingly as the number increases.



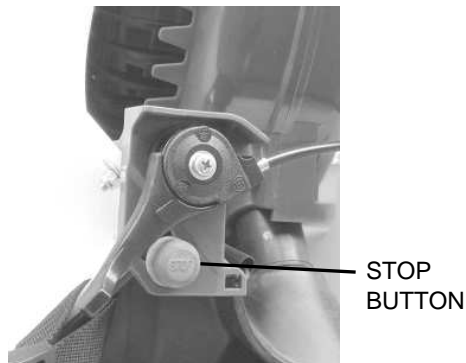
Discharging volume



STOPPING THE ENGINE

Move the "dial" to the "0" position, and stop spraying.

Always run the engine at idle speed for a few minutes to allow cooling before stopping. To stop the engine, press and hold the STOP BUTTON until engine completely stops.



CLEANING THE PRODUCTS

Remove Mist hose from MIST DIAL, and discharge chemical from chemical tank.

After recovering the remnant chemical, clean the inside chemical tank using clean water.

ADJUSTMENT

IDLING SPEED ADJUSTMENT

1. Idle speed is the only available adjustment.
2. Do not tamper with the carburetor setting to increase the maximum engine speed.
3. If adjustment is needed, have it performed by your authorized MARUYAMA service dealer.

Carburetor adjustments are made at the factory and are not adjustable without disassembling the carburetor.

MAINTENANCE

Before each use, the mist blower should be inspected for proper assembly and fitness of all components. All fasteners should be checked for correct tightness. Always inspect for fuel leaks.



WARNING Do not attempt to start or operate a mist blower Blower with a fuel leak.

Maintenance Period

WARNING

Always remove the spark plug cap from spark plug when servicing the engine to prevent accidental starting.

	Maintenance	Daily	Every 20 hours	Every 50 hours	Every 100 hours
	Check and replenish fuel	●			
	Check for fuel leakage	●			
	Check bolts, nuts and screws for tightness or missing	●			
	Check engine idle speed adjustment	●			
■	Clean air filter element		●		
	Check spark plug		●		
■	Check and clean fuel filter		●		
■	Remove dust and dirt from air intake guard		●		
	Tighten bolts and nuts			●	
	Clean spark plug and adjust electrode gap			●	
■	Remove dust and dirt from cylinder fins			●	
●	Remove carbon deposits in exhaust port			●	
	Replace air filter				●
	Replace fuel filter				●
	Replace spark plug				●
●	Remove carbon deposits on piston head and combustion chamber				●
●	Check the sliding portion of crankshaft, connecting rod etc.				●
	Replace fuel tube, fuel tank cap gasket	It is recommended to replace every 3 years			

●: Service to be performed by an authorized Maruyama engine dealer.

■: Service more frequently under dusty conditions.

Note:

The service intervals indicated are to be used as a guide.

Service to be performed more frequently as necessary depending on operating condition.


Use Maruyama standard 50:1 2-stroke engine oil.

AIR FILTER

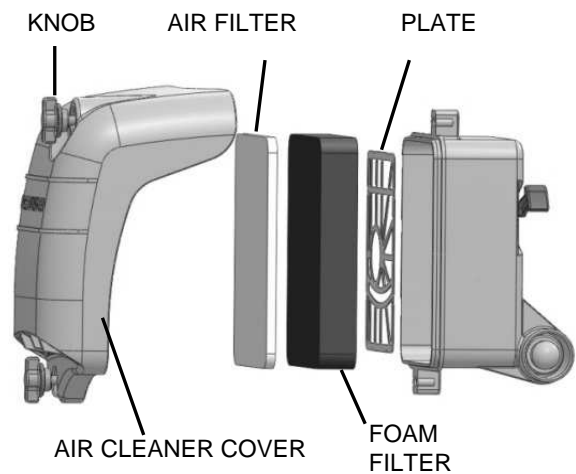
Maintenance Interval

- The air filter should be cleaned and inspected each time the mist blower is used, or more often when working in extremely dusty conditions.
- Replace after every 100 hours of operation.

Air Filter Cleaning

Move the choke lever to the closed () position.

1. Loosen the knob and remove the air cleaner cover.
2. Remove the FOAM FILTER and AIR FILTER from the air cleaner body.
3. Clean the filter.
 - FOAM FILTER
Clean FOAM FILTER by gently tapping or cleaning with a suitable solvent the filter. Then completely dry before using again.
 - AIR FILTER
Clean AIR FILTER by gently tapping.
Replace filter if it is damaged or very dirty.
4. Reassemble components in reverse order.
5. Reinstall the air cleaner cover and tighten the knob.



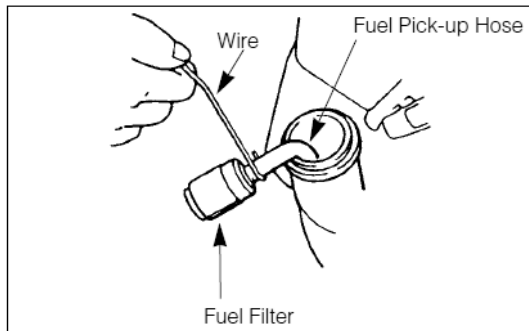
FUEL FILTER

Maintenance Interval

- The fuel filter should be cleaned and inspected for damage after each 20 hours of operation.
- The fuel filter should be replaced after every 100 hours of operation.

Fuel Filter Replacement

The fuel filter is attached to the end of the fuel pick-up hose inside the fuel tank.



To replace the fuel filter:

1. Make sure the fuel tank is empty.
2. Remove the fuel cap.
3. Using a wire hook, gently pull the fuel filter out through the fuel filler opening.
4. Grasp the fuel hose next to the fuel filter fitting and remove the filter, but do not release the hose.
5. While still holding on to the fuel hose, attach the new fuel filter.
6. Drop the new fuel filter back into the fuel tank.
7. Make sure that the fuel filter is not stuck in a corner of the tank, and that the fuel hose is not doubled over (kinked) before refueling.

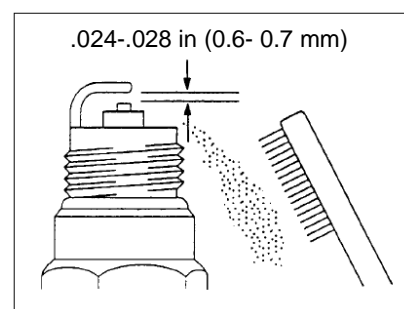
SPARK PLUG

Maintenance Interval

- The spark plug should be removed from the engine and checked after each 20 hours of operation.
- Replace the spark plug after every 100 hours of operation.

Spark Plug Maintenance

1. With the engine at ambient (room) temperature, twist the high tension lead boot on the spark plug back and forth a couple of times to loosen the boot, then pull the boot off of the spark plug.
2. Remove the spark plug.
3. Clean the electrodes with a stiff brush.



4. Adjust the electrode air gap to .024-.028 in (0.6- 0.7 mm).
5. Replace the spark plug if it is oil-fouled, damaged, or if the electrodes are worn down.
6. Do not over tighten the spark plug when installing. The tightening torque is 95-148 in. lbs. (10.7-16.6 N·m).

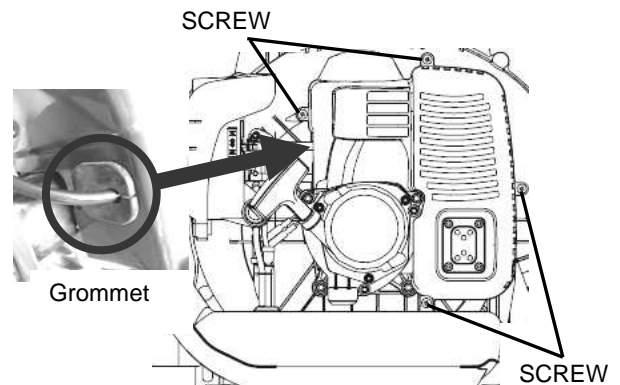
COOLING FINS

Maintenance Interval

The cylinder cooling fins should be cleaned after every 50 hours of operation, or once a week, whichever comes first. Air must flow freely around and through the cylinder cooling fins to prevent engine overheating. Leaves, grass, dirt and debris buildup on the fins will increase the operating temperature of the engine, which can reduce engine performance and shorten engine life.

Cooling Fin Cleaning

1. With the engine at ambient (room) temperature, remove the four screws retaining the top cover, then remove the top cover.
2. Clean all dirt and debris from the cooling fins and from around the cylinder base.
3. Reinstall the top cover and tighten the knob.
Be sure to attach the grommet.



MUFFLER AND EXHAUST PORTS

Maintenance Interval

The muffler should be inspected and cleaned after each 50 hours of use.

Muffler Maintenance

The muffler should be removed and serviced after each one fifty (50) hours of use. At the same time, the exhaust ports should be cleaned and inspected. An AUTHORIZED MARUYAMA DEALER should be contacted for this service.

GENERAL CLEANING AND TIGHTENING

⚠ WARNING ⚠
POTENTIAL HAZARD
<ul style="list-style-type: none">• When engine is running, fan is rotating and other parts are moving.
WHAT CAN HAPPEN
<ul style="list-style-type: none">• Contact with rotating fan or other moving parts could cause serious personal injury or death.
HOW TO AVOID THE HAZARD
<ul style="list-style-type: none">• Always turn off your Backpack Blower before you clean or perform any maintenance on it.

The MARUYAMA Backpack Blower will provide maximum performance for many hours, if it is maintained properly. Good maintenance includes regular checking of all fasteners for correct tightness, and cleaning the entire machine. Contact an authorized MARUYAMA dealer for additional maintenance suggestions.

STORAGE

For long-term storage of the mist blower, first perform all regular maintenance procedures and needed repairs. Empty the fuel tank. Disconnect the fuel supply line from the carburetor and depress the primer bulb until fuel stops discharging from the fuel-return line.

Start the engine and allow it to run until it stops. Pull the starter cord a few times to remove any excess fuel from the engine. Remove the spark plug and insert a small amount of oil into the cylinder. Slowly pull the starter cord and bring the piston to a position closest to the spark plug hole. Re-install the spark plug. Apply a thin coating of oil to all the metal surfaces and store the mist blower in a dry place.

SPECIFICATIONS

Models	MM92-V
Dimensions L x W x H	375 x 480 x 635 mm (14.8 x 18.9 x 25.0 in.)
Dry Weight	11.7 kg (25.8 lbs)
Engine Type	Maruyama/2-Stroke Air cooled CE800 for EPA
Displacement	79.2 mL
Ignition System	Electric solid state
Carburetor	All position diaphragm
Fuel Tank Capacity	0.53gal (2.0 L)
Fuel Mixture	50:1 Using MARUYAMA 50:1 2-stroke Engine Oil or any quality 2-stroke engine oil designed for use in air-cooled, high performance 2-stroke engines.

INDICE

PREFACIO	1	INSTRUCCIONES DE OPERACION.....	6
Etiqueta de advertencia.....	1	MANTENIMIENTO.....	8
INSTRUCCIONES PARA EL ARMADO.....	3	ALMACENAMIENTO.....	10
ANTES DE OPERAR LA UNIDAD.....	4	ESPECIFICACIONES.....	11

PREFACIO

Este Manual del Propietario u Operador está diseñado para familiarizar al operador con las diversas características y piezas componentes del equipo, y también para ayudarle con el armado, la operación y el mantenimiento de su nueva Atomizadora de cargar a la espalda.

Es esencial que todo operador de este producto, Atomizadora de Espalda, lea y entienda el contenido de este manual antes de usar la Atomizadora de Espalda.

Las instrucciones importantes sobre seguridad se identificarán mediante el siguiente icono:

El no observar las instrucciones de este manual, puede producir lesiones graves o incluso la muerte.

Para asistencia adicional, póngase en contacto con cualquier distribuidor local autorizado de Maruyama o con Maruyama U.S., Inc. 4770 Mercantile Drive, Suite100, Fort Worth, TX 76137 U.S.A.

Teléfono: 940-383-7400

Página de Internet: www.maruyama-us.com

SIMBOLOS DE SEGURIDAD DEL MANUAL

En este manual y en el producto mismo, usted encontrará alertas de seguridad y útiles mensajes informativos precedidos por iconos o palabras claves. A continuación una explicación de esos iconos y de las palabras claves y de lo que significan para usted.



Este icono, acompañado de las palabras ADVERTENCIA y PELIGRO llama su atención hacia un acto o una condición que puede conducir a que el operador o quienes están cerca, sufran lesiones graves.

Etiqueta de advertencia

- Limpie la suciedad o el barro de la unidad para que las indicaciones siempre estén legibles.
- Encontrará las siguientes etiquetas de alarma fijadas en la unidad.



Lea detenidamente el Manual del Propietario u Operador.
Asegúrese de haber leído completamente el Manual del Propietario u Operador antes de operar la unidad.



Prevención de incendios.
Nunca maneje combustible o haga mantenimiento de la unidad cerca de un fuego abierto.



Precauciones con las piezas calientes.
El silenciador del motor, las aletas de cilindro, y otras piezas de la unidad funcionan a altas temperaturas. No las toque.



Interdiction du feu.

Use en el trabajo elementos de protección tales como: casco, gafas de seguridad, tapones para los oídos, etc.,



Precauciones con el gas de escape.

Tenga cuidado de no respirar el gas de escape del motor de la unidad.



ADVERTENCIA

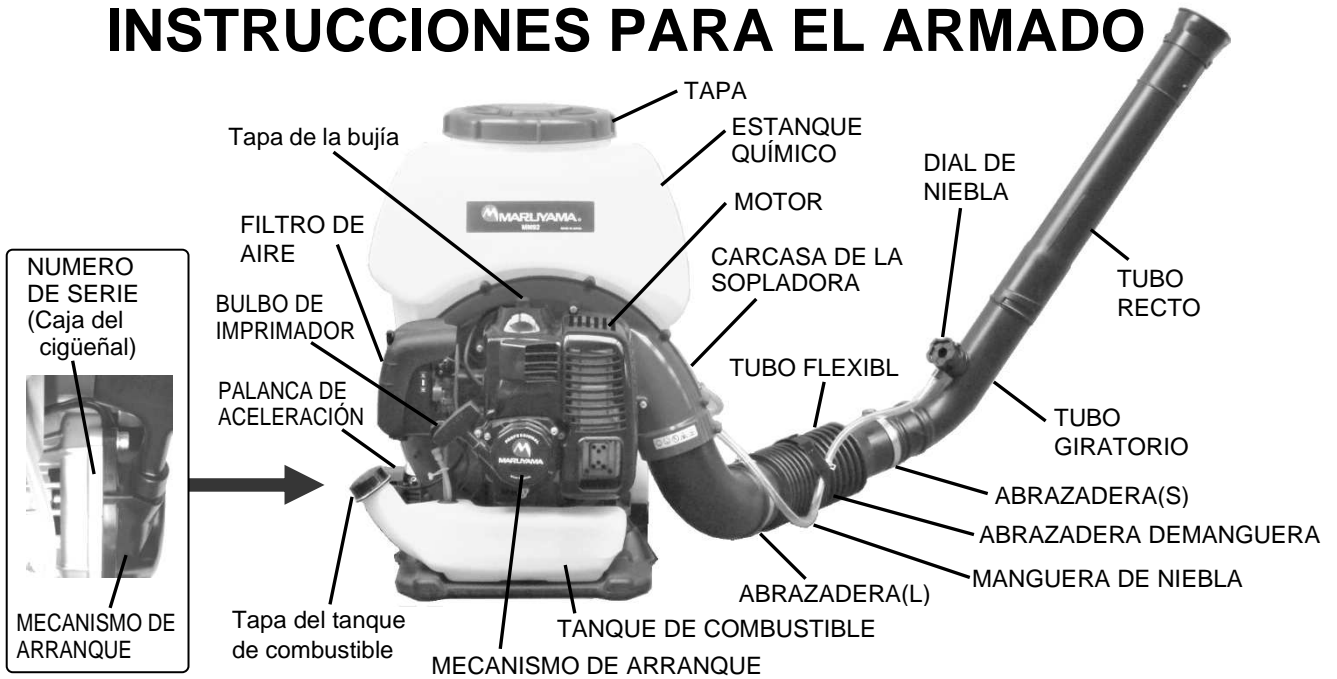


1. Antes de usar la Atomizadore, lea cuidadosamente y entienda a cabalidad este Manual del Propietario u Operador. Familiarícese a fondo con el uso adecuado de la Atomizadore.
2. Nunca permita que los niños operen esta Atomizadore. No es un juguete. Nunca permita que los adultos operen la unidad sin haber leído antes el Manual del Propietario u Operador.
3. Familiarícese con los controles y aprenda cómo apagar el motor rápidamente.
4. Use siempre la protección para los ojos y la protección para los oídos.
5. Mantenga el área de operación libre de personas, particularmente de niños pequeños y de mascotas.
6. No dirija la boquilla de la Atomizadore hacia personas o mascotas.
7. Nunca opere una Atomizadore si usted está fatigado.
8. Nunca opere una Atomizadore sin tener puestas o en su lugar, las protecciones adecuadas y los demás dispositivos de seguridad.
9. Vístase adecuadamente; no use prendas de vestir muy amplias, ni joyas que puedan quedar atrapadas en las piezas móviles. Siempre use calzado firme, pantalones largos, y camisa de manga larga.
10. La gasolina es altamente inflamable, manéjela cuidadosamente.
 - A. No fume mientras maneja gasolina.
 - B. Use un recipiente aprobado para combustibles, para almacenar la mezcla de gasolina y aceite.
 - C. No llene el tanque de combustible cuando el motor está caliente o en marcha.
 - D. Llene el tanque de combustible estando en el exterior y únicamente hasta media pulgada antes del borde superior del tanque. No llene el cuello de llenado.
 - E. Antes de poner el motor en marcha, limpie la gasolina que se haya derramado.
11. Siempre asegúrese de estar bien calzado; sostenga con firmeza los tubos de la Atomizadore, y camine, nunca corra, cuando opere una Atomizadore.
12. Use los accesorios correctos. No use la Atomizadore para realizar una labor diferente de aquellas para las cuales se ha fabricado la Atomizadore.
13. Mantenga apretados todos los sujetadores y asegúrese de que la Atomizadore esté en condiciones seguras de operación. Observe las instrucciones de mantenimiento que se suministran en las páginas 8 – 9 de este manual.
14. No ponga las manos ni los pies cerca ni debajo de las piezas giratorias. Manténgase fuera de su alcance en todo momento.
15. Si la Atomizadore empezara a vibrar en forma anormal, detenga el motor inmediatamente y revise la unidad para descubrir la causa. Generalmente la vibración es la señal de un problema.
16. Evite el uso de la Atomizadore cerca de rocas, gravilla, piedras y material similar, con el objeto de evitar el peligro de desechos lanzados.
17. Use la Atomizadore únicamente a la luz del día o bajo una buena luz artificial.
18. No permita la presencia de personas en el área de trabajo.
19. No opere sin tener puestas las debidas protecciones.
20. No opere en un área sin ventilación.
21. Para reducir el riesgo de lesiones asociadas con la inhalación de polvo, bajo condiciones polvorientas use mascara con filtro facial.
22. Para reducir el riesgo de lesiones, asociadas con contactos con piezas giratorias, detenga el motor antes de instalar o de remover accesorios.
23. Para reducir el riesgo de incendio y quemaduras:
 - Antes de dar arranque al motor, aléjese por lo menos 10 pies (3 metros) del punto de abastecimiento de combustible.
 - Siempre almacene la gasolina en un recipiente aprobado.

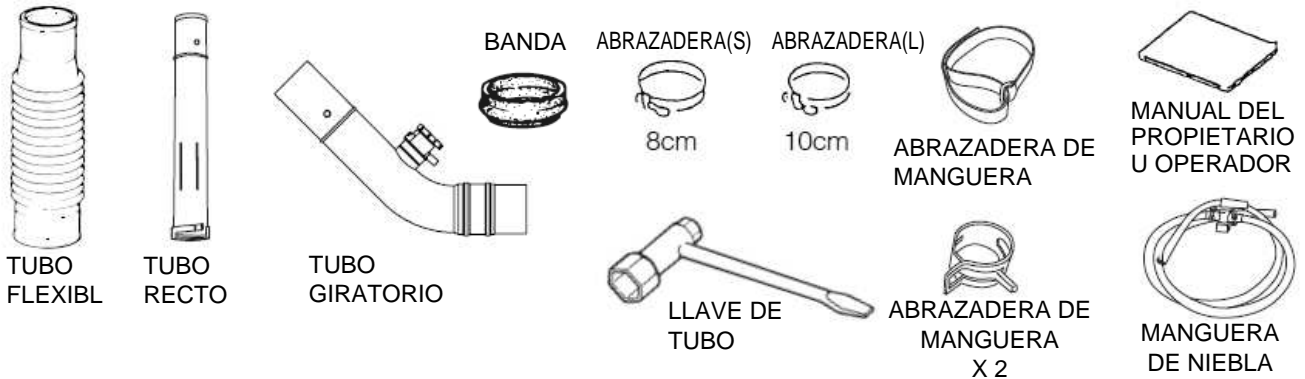
Técnicas de Operación

- A. Únicamente opere el equipo en horas razonables – ni temprano en la mañana ni tarde en la noche, cuando puede molestar a los demás. Cumpla los horarios que aparecen en las ordenanzas locales. Las recomendaciones usuales son de 9:00 a.m. a 5:00 p.m., de lunes a sábado.
- B. Para reducir los niveles de ruido, limite el número de piezas de equipo usadas al mismo tiempo.
- C. Para reducir los niveles de ruido, opere las Atomizadores a la más baja velocidad posible para realizar el trabajo.
- D. Revise su equipo antes de la operación, especialmente el silenciador de ruido, las entradas de aire y los filtros de aire.
- E. Use rastrillos y escobas para aflojar los desechos antes de soplar.
- F. Bajo las condiciones polvorientas, humedece las superficies cuando agua es aprovechable.
- G. Conserve el agua usando las Atomizadores en lugar de mangueras y agua lanzada en muchas aplicaciones de limpieza de césped y jardín, incluyendo áreas tales como cunetas, rejillas, patios, parrillas, porches y jardines.
- H. Tenga cuidado con los niños, mascotas, ventanas abiertas, o carros recién lavados, y sople los desechos fijándose que se alejen sin presentar peligro.
- I. Use toda la extensión de la boquilla de la Atomizadore de manera que la corriente de aire pueda trabajar cerca del suelo.
- J. Después de usar las Atomizadores y demás equipos, ¡LIMPIELAS! Bote los desechos en receptáculos para la basura.

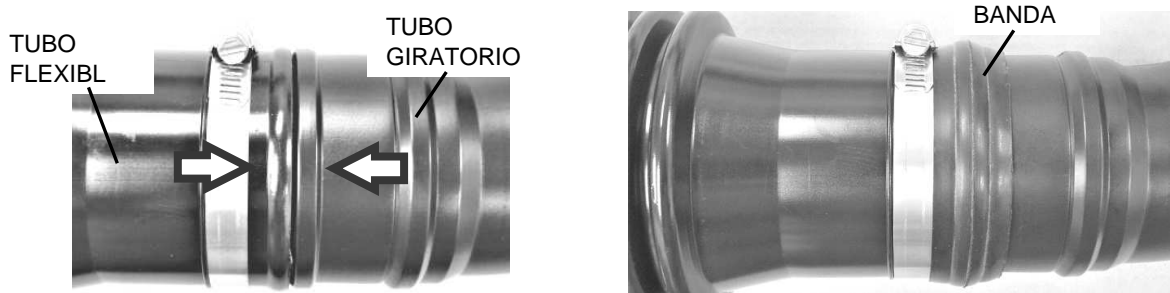
INSTRUCCIONES PARA EL ARMADO



PASO 1) Localice e identifique todos los componentes (vea dibujo).



PASO 2) Con un destornillador de cabeza plana, use un ABRAZADERA (L) para conectar el TUBO FLEXIBLE a la TUBO ACODADO. A continuación, utilizando una ABRAZADERA (S), Inserte el tubo giratorio completamente en el tubo flexible. Apriete con un destornillador. (vea el bosquejo). Luego coloque la BANDA en las costuras.



PASO 3) Ensamble el TUBO RECTO al TUBO GIRATORIO (vea la figura).

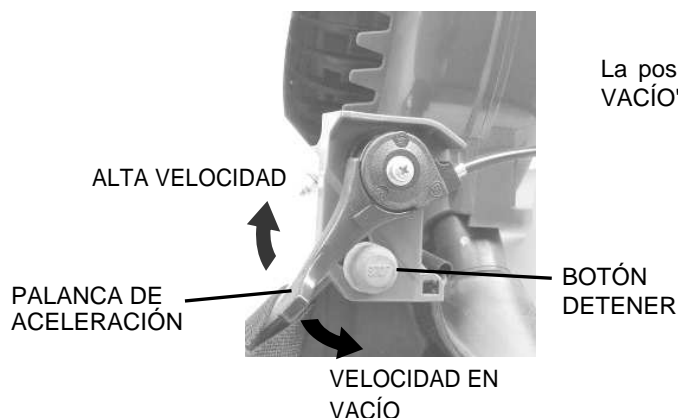
PASO 4) Conecte la manguera de niebla al dial de niebla y al tanque de productos químicos. (vea la figura)



ANTES DE OPERAR LA UNIDAD

Asegúrese de que la Atomizadora esté correctamente armado y de que todos los sujetadores y acoples estén bien asegurados.

PALANCA DE ACELERACION



La posición más baja de la palanca es "VELOCIDAD EN VACÍO", y la posición más alta es el "ALTA VELOCIDAD".

¡PRECAUCIÓN!

1. Apagado del motor

Antes de apagar el motor, póngalo en marcha al vacío por un corto tiempo.

- Nunca apague el motor cerrando el regulador de aire.
- Nunca apague el motor mientras esté operando a velocidad mayor de la de marcha al vacío.

2. Transporte y almacenamiento

- Apague el motor y déjelo enfriar antes de transportar o guardar la unidad.
- No coloque la unidad sobre grama seca o cerca de cualquier material inflamable antes de que el motor se haya enfriado.

Sustancias químicas

- Lea cuidadosamente las etiquetas de los productos químicos que va a utilizar, y entienda bien el modo de utilización y las precauciones a tomar. Pulverizar por tanque (1000 m²) o equivocarse de sustancia química puede causar daños.
- Almacene los productos químicos en un lugar seguro, y evite que los contenedores se abran durante el transporte de los mismos.
- Trate los contenedores o depósitos de manera que garantice seguridad.
- Preste atención a la manipulación de productos químicos. Si algún producto químico le salpica en ojos o boca, aplique agua inmediatamente.
- Si se encuentra mal, visite un médico de inmediato.
- Cambie el método de pulverización según la dirección del viento, con el fin de proteger a otros trabajadores y viviendas de los alrededores. Cuando pulverice productos químicos, colóquese de espaldas al viento. Asimismo, evite que las sustancias químicas se esparzan a cosechas, cercados, estanques y casas cercanas.
- Cuando pulverice en un invernadero, tenga en cuenta la ventilación del lugar.
- Al preparar las sustancias químicas, prepare únicamente la cantidad necesaria que vaya a utilizar de acuerdo con el plan de pulverización establecido. El exceso de producto químico dificulta la acción.
- No pulverice el disolvente. Éste puede causar el fallo de algunas piezas. En caso de que haya utilizado disolvente en este aparato, limpie a fondo el pulverizador con abundante agua.

Tipo de combustible recomendado

Utilice gasolina limpia, fresca y sin plomo, incluida la gasolina oxigenada o reformulada, con un octanaje igual o superior a 85. Para garantizar la frescura, compre sólo la cantidad de gasolina que pueda utilizar en 30 días. El uso de gasolina sin plomo genera menos depósitos en la cámara de combustión y prolonga la vida de la bujía. No es necesario ni se recomienda el uso de gasolina súper.

¡PRECAUCIÓN!

IMPORTANT: NUNCA UTILICE METANOL, GASOLINA CON METANOL, GASOHOL CON MÁS DE UN 10% DE ETANOL, GASOLINA SÚPER O GASOLINA SIN PLOMO; DE LO CONTRARIO EL CIRCUITO DE ALIMENTACIÓN PODRÍA RESULTAR DAÑADO.

NO UTILICE ADITIVOS DE COMBUSTIBLE DISTINTOS A LOS FABRICADOS PARA LA ESTABILIZACIÓN DURANTE SU ALMACENAMIENTO, COMO EL ESTABILIZANTE/ACONDICIONADOR DE MARUYAMA O UN PRODUCTO SIMILAR. EL ESTABILIZANTE/ACONDICIONADOR DE MARUYAMA SE BASA EN UN DESTILADO DE PETRÓLEO.

MARUYAMA NO RECOMIENDA ESTABILIZANTES CON UNA BASE DE ALCOHOL COMO EL ETANOL, METANOL O ISOPROPIL. NO DEBERÍAN EMPLEARSE ADITIVOS PARA INTENTAR MEJORAR LA POTENCIA O EL RENDIMIENTO DE LA MÁQUINA.

COMBUSTIBLE: MEZCLA DE GASOLINA Y ACEITE

PRECAUCION! El motor usado en esta Atomizadore de Espalda es un diseño de 2 ciclos. Las piezas móviles internas del motor, esto es, los cojinetes del cigüeñal, los cojinetes del pasador del pistón y las superficies de la pared de contacto entre el pistón y el cilindro, requieren aceite mezclado con gasolina para su lubricación. Si no se agrega aceite a la gasolina, o si la mezcla de gasolina y aceite no se realiza en la proporción correcta, se causará un daño grave al motor y se anulará la garantía. Para la pre-mezcla de combustible, use Aceite Maruyama 50:1 para 2 Ciclos, o un aceite de buena calidad diseñado para motores de 2 ciclos, enfriados por aire.

⚠ ADVERTENCIA ⚠

La gasolina es extremadamente inflamable y puede ser explosiva en ciertas condiciones. Gire el interruptor de arranque del motor a la posición de APAGADO (OFF). No fume. Asegúrese de que el área esté bien ventilada y libre de cualquier fuente de llama o chispas: esto incluye cualquier artefacto de gas con llama piloto.

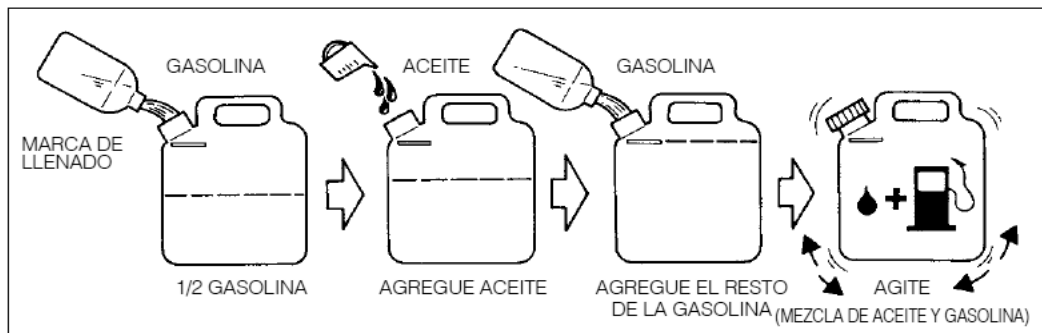
MEZCLA DE COMBUSTIBLE: Cuando use aceite Maruyama genuino 50:1 para 2 ciclos, o un aceite de buena calidad diseñado para motores de 2 ciclos enfriados por aire, la proporción de aceite es 50 partes de gasolina por 1 parte de aceite, o 50:1.

PRECAUCION! Si no usa aceite marca Maruyama, nunca use una proporción de mezcla menor de 50:1, sin importar las instrucciones de mezcla del empaque del aceite. Las proporciones menores de 50:1 (por ejemplo, 60:1, 80:1, 100:1), reducen la cantidad de lubricación de las piezas internas móviles del motor y pueden causar daños.

Gasolina	Aceite para motores de dos tiempos (50:1)
1 galón	2,6 onzas
2 galones	5,1 onzas
5 galones	12,8 onzas

1 litro	20mL
5 litros	100mL

INSTRUCCIONES DE MEZCLA: Siempre mezcle el combustible y el aceite en un recipiente limpio, aprobado para gasolina. Marque el recipiente para identificarlo como mezcla de combustible para Atomizadore de Espalda. Usando gasolina regular sin plomo, llene el recipiente con la mitad de la cantidad de gasolina que se requiere. Agregue la cantidad correcta de aceite al recipiente, luego agregue la cantidad restante de gasolina. Cierre el recipiente y agítelo momentáneamente para mezclar bien el aceite y la gasolina antes de llenar el tanque de la Atomizadore de Espalda.



Cuando llene de nuevo el tanque de combustible, limpie alrededor de la tapa del tanque para evitar que mugre y desechos entren al tanque cuando está destapado. Siempre agite momentáneamente el recipiente con la premezcla de combustible, antes de llenar el tanque.

Use siempre una boquilla o embudo cuando reabastezca el combustible, para reducir las salpicaduras. Llene el tanque sólo hasta que falte 1/2 pulgada (6 – 12 mm) para llegar al borde. No llene hasta el final del cuello del tanque.

NOTA:

1. Nunca mezcle gasolina y aceite directamente en el el tanque de la Atomizadore de espalda.

¡CUIDADO!

1. No use aceites certificados por la Asociación Nacional de Fabricantes Marinos (NMMA) o BIA. Estos tipos de aceites para motores de dos ciclos no tienen los aditivos adecuados para motores de dos ciclos, enfriados por aire y pueden causar daño en el motor.
2. No use aceite motor para automóviles. Este tipo de aceite no tiene los aditivos adecuados para motores de dos ciclos, enfriados por aire y puede causar daño al motor.

INSTRUCCIONES DE OPERACION

PROCEDIMIENTO DE ARRANQUE

PASO 1)

Desplace el " DIAL DE NIEBLA " a la posición "0" de cierre.



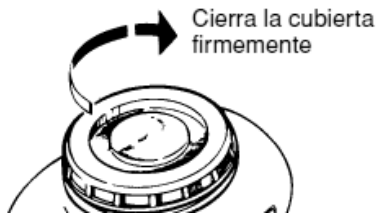
PASO 2)

Vierta el producto químico en el depósito de producto químico.



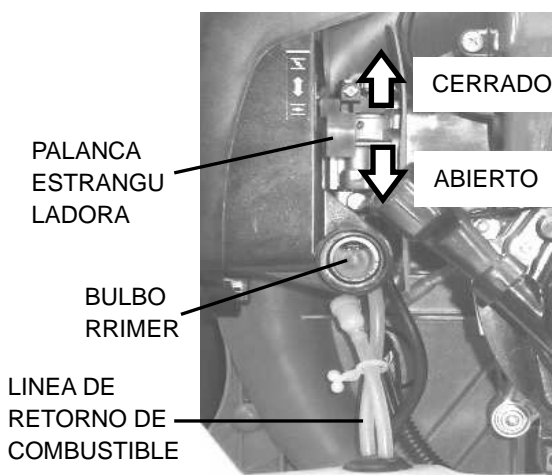
PASO 3)

Cierra la tapa firmemente.



PASO 4)

Bombee el "BULBO DE CEBA" bajo el carburador, hasta que el combustible se vea fluir a través de la "LINEA DE RETORNO DE COMBUSTIBLE".

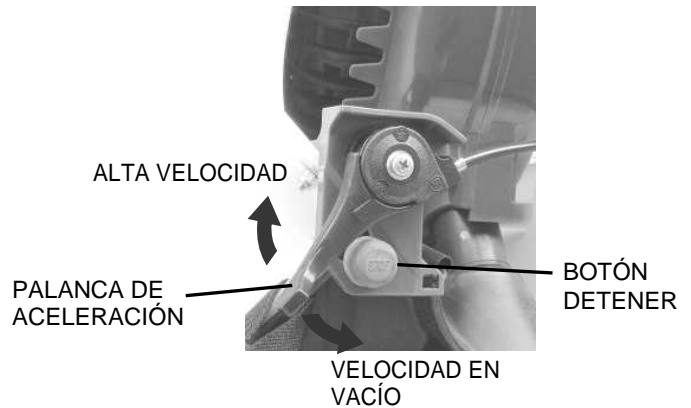


PASO 5)

Mueva la "PALANCA DE REGULACION DE AIRE" totalmente hacia abajo, hasta la posición cerrada. Si el motor ya está caliente, solo se necesitará una graduación parcial o abierta (sin regulación de aire).

PASO 6)

Ajuste la palanca del acelerador a 1/2 de la velocidad.

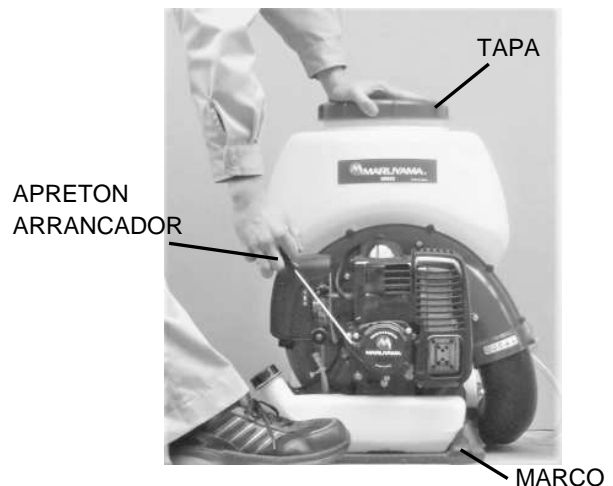


PASO 7)

Presione hacia abajo la "TAPA" y mantenga el "marco" con el pie derecho con suavidad.

Tire vigorosamente del " APRETON ARRANCADOR " para arrancar el motor.

NOTA: Sólo se necesitan tiros cortos. Nunca tire del cordón de arranque hasta su máxima extensión. Nunca suelte la manija de arranque hasta que ésta no haya regresado a su posición inicial.

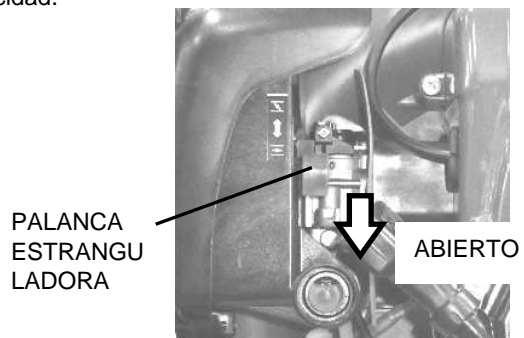


PASO 8)

Caliente el motor.

Cuando el motor haya arrancado, mueva lentamente la PALANCA ESTRANGU totalmente hacia abajo, hasta la posición abierta.

Permita que el motor se "CALIENTE" por lo menos a media velocidad.



Si un motor MARUYAMA no arranca después de seguir los procedimientos anteriores, póngase en contacto con un distribuidor MARUYAMA autorizado.

OPERACIÓN

Una vez que el motor esté calentado, se puede posicionar el atomizador en la espalda del operador.

Cuando el atomizador está posicionado y listo para funcionamiento, ajuste el acelerador a la velocidad necesaria para cumplir la tarea deseada.

! PRECAUCIÓN

- No use el hidrato de la densidad alta.
- Evite el uso de soluciones altamente inflamables como la gasolina.

! ADVERTENCIA

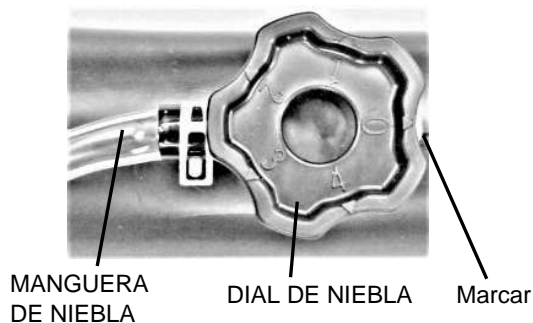
- Nunca opere un atomizador cuando esté fatigado.
- Nunca opere un atomizador sin los protectores apropiados u otros dispositivos de seguridad en posición.

! ADVERTENCIA

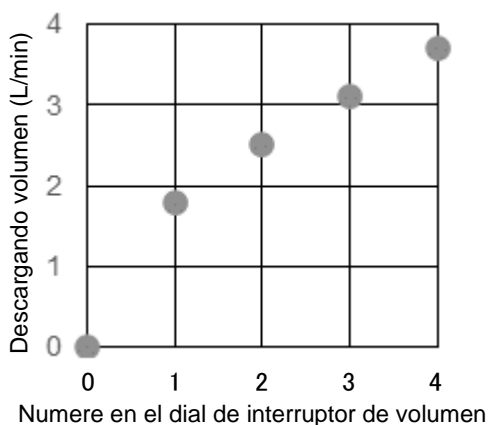
Para prevenir el sobrecalentamiento y agarrotamiento del motor, el aire de enfriamiento sale de la reja de admisión del compartimiento del ventilador y se impulsa por el ventilador centrífugo a través de una abertura en el compartimiento del ventilador sobre el área de las aletas del cilindro, descargando el calor de combustión. La reja y las aletas del cilindro deben mantenerse libres de césped, polvo y cualesquiera residuos. Un fallo del motor debido a no observación de este "Mantenimiento Normal" no está cubierto por la garantía.

El ajuste de descargando volumen

- Coincida el número en el dial de interruptor de volumen con la marca.
- Descargando el volumen aumentarán de acuerdo con como los aumentos del número.



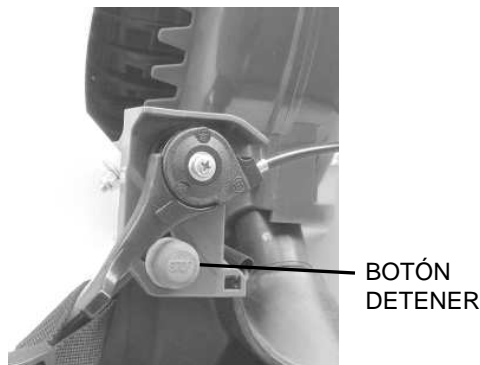
Descargando volumen



APAGADO DEL MOTOR

Desplace el "dial" a la posición "0" de cierre y detenga la pulverización.

Siempre haga funcionar el motor a velocidad de marcha en vacío durante unos pocos minutos para permitir que se enfríe antes de apagarlo. Para apagar el motor, pulse y mantenga pulsado el botón de parada hasta que el motor se detiene por completo.



LIMPIEZA DE LOS PRODUCTOS

Quite la MANGUERA DE NIEBLA del DIAL DE NIEBLA y, a continuación, descargue el producto químico del depósito de producto químico.

Después recuperar el producto químico remanente, limpie el interior del depósito de producto químico utilizando agua limpia.

AJUSTE

AJUSTE DE MARCHA EN VACIO

1. La marcha en vacío es el único ajuste posible.
2. No manipule indebidamente la graduación del carburador para aumentar la velocidad máxima del motor.
3. Si necesita ajustarlo, hágalo a su comerciante autorizado de servicios de MARUYAMA. El carburador es ajustado en la fábrica; por lo tanto, no puede hacerlo sin desarmar.

MANTENIMIENTO

Antes de cada uso, es necesario inspeccionar la Atomizadora para asegurarse de que esté adecuadamente armado y todos sus componentes estén firmemente colocados. Revise todos los sujetadores para verificar que estén correctamente apretados. Siempre revise si hay fugas de combustible.



ADVERTENCIA

No intente arrancar u operar una Atomizadora que muestre fuga de combustible.

CUADRO DE MANTENIMIENTO PERIODICO

ADVERTENCIA

Siempre retire de la bujía la tapa cuando dé servicio al motor para evitar que el motor arranque accidentalmente.

	Mantenimiento	Diariamente	Cada 20 horas	Cada 50 horas	Cada 100 horas
	Comprobar si hay combustible y llenar	●			
	Comprobar si hay fugas de combustible	●			
	Comprobar si faltan o si es necesario apretar los pernos, las tuercas y los tornillos.	●			
	Comprobar el ajuste de velocidad en ralentí del motor.	●			
■	Limpia el filtro de aire.		●		
	Revise la bujía		●		
■	Revise y limpie el filtro de combustible		●		
■	Eliminar el polvo y la suciedad del Protector del ventilador		●		
	Apretar las tuercas y los tornillos.			●	
	Limpia la bujía de encendido y ajustar la separación entre los electrodos			●	
■	Eliminar el polvo y la suciedad de las aletas del cilindro			●	
●	Eliminar los depósitos de carbón del orificio de escape.			●	
	Cambiar el filtro de aire				●
	Cambiar el bujía				●
	Cambiar el filtro del combustible				●
●	Eliminar los depósitos de carbón del cabezal del pistón y de la cámara de combustión.				●
●	Revise la porción deslizante del cigüeñal, la biela, etc.				●
	Cambiar el tubo del combustible, la junta de la tapa del depósito de combustible.	Se recomienda cambiar cada 3 años.			

●: El mantenimiento ha de ser realizado por un distribuidor autorizado de motores Maruyama.

■: Realizar el mantenimiento con mayor frecuencia en condiciones de mucho polvo.

NOTA:

Los intervalos de mantenimiento indicados se utilizarán a modo de referencia.

El mantenimiento se realizará con mayor frecuencia, según se precise, en función de las condiciones de funcionamiento.

Utilice aceite Maruyama estándar (50:1) para motor de dos tiempos.

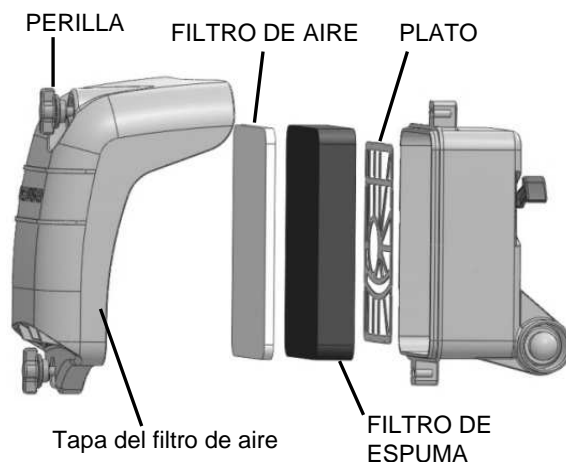
FILTRO DE AIRE

Intervalo de mantenimiento

- Debería limpiar y examinar el filtro de aire cada vez que utilice el Atomizador, o con más frecuencia cuando trabaje en condiciones de mucho polvo.
- Cámbielo tras 100 horas de funcionamiento.

Limpieza del filtro de aire

1. Mueva la palanca del estrangulador hasta la posición "Close" (I).
2. Suelte el botón y retire la tapa del filtro de aire.
3. Clean the filter.
 - Filtro de espuma
Limpiar filtro de espuma golpeando suavemente o limpiar con un disolvente adecuado del filtro. Entonces completamente seco antes de volver a usarla.
 - Filtro de aire
FILTRO DE AIRE LIMPIO golpeando suavemente. Sustituir el filtro si está dañado o muy sucio.
4. Montar los componentes en orden inverso.
5. Reinstale la tapa del filtro de aire y ajuste el botón.



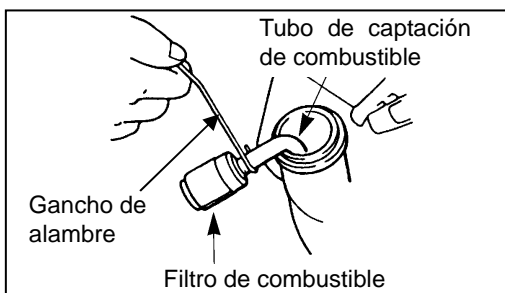
Filtro de combustible

Intervalo de mantenimiento

- Debería limpiar y examinar si el filtro del combustible está dañado después de cada 20 horas de funcionamiento.
- El filtro de combustible debería cambiarse tras 100 horas de funcionamiento.

Sustitución del filtro de combustible

El filtro de combustible está fijado al extremo del tubo de captación de combustible en el interior del depósito.



Para cambiar el filtro del combustible:

1. Asegúrese de que el depósito esté vacío.
2. Retire la tapa del depósito.
3. Con un gancho, extraiga con cuidado el filtro a través del orificio de llenado de combustible.
4. Agarre el tubo de combustible situado junto al racor del filtro y extraiga el filtro, pero sin soltar el tubo.
5. Coloque el nuevo filtro manteniendo el tubo de combustible aún agarrado.
6. Deje caer el nuevo filtro en el depósito de combustible.
7. Antes de volver a cargar combustible, asegúrese de que el filtro no esté atascado en un rincón del depósito, y de que el tubo de combustible no esté doblado (retorcido).

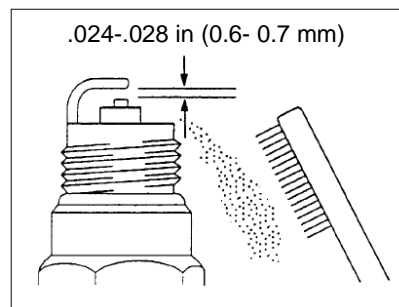
Bujía

Intervalo de mantenimiento

- La bujía debería retirarse del motor y comprobarse tras 20 horas de funcionamiento.
- Cámbiela tras 100 horas de funcionamiento.

Mantenimiento de la bujía

1. Con el motor a temperatura ambiente, gire varias veces de un lado a otro el protector de plomo de alta tensión de la bujía para aflojarlo y retirarlo, a continuación.
2. Extraiga la bujía.
3. Limpie los electrodos con un cepillo duro.



4. Ajuste la separación entre los electrodos a 0,6 -0,7 mm.
5. Cambie la bujía si está sucia de aceite, dañada o si los electrodos están gastados.
6. Cuando instale la bujía, no la apriete en exceso. El par de apriete es (10.7-16.6 N•m).

Aletas de refrigeración del cilindro

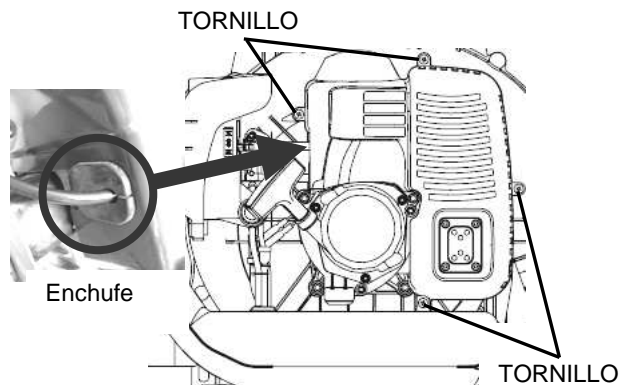
Intervalo de mantenimiento

Debería limpiar las aletas de refrigeración del cilindro después de cada 50 horas de funcionamiento o una vez a la semana, lo que ocurra primero.

El aire debe fluir libremente alrededor y a través de las aletas de refrigeración del cilindro para evitar el sobrecalentamiento del motor. El depósito de hojas, hierba, suciedad y residuos en las aletas aumentará la temperatura de funcionamiento del motor. Esto puede reducir el rendimiento y la vida del motor.

Limpieza de las aletas de refrigeración

1. Con el motor a temperatura ambiente, Retire los cuatro tornillos que sujetan la cubierta superior, a continuación, retire la cubierta superior.
2. Limpiar toda la suciedad y los residuos de las aletas de refrigeración y alrededor de la base del cilindro.
3. Vuelva a instalar la cubierta superior y apriete el pomo. Asegúrese de conectar el enchufe.



SILENCIOSO Y ORIFICIOS DE ESCAPE

Intervalo de mantenimiento

Debe examinar y limpiar el silenciador después de cada 50 horas de uso.

Mantenimiento del silenciador

Se debe quitar y reparar el silencioso después de cada cincuenta (50) horas de uso. Al mismo tiempo, se debe limpiar e inspeccionar los orificios de escape. Póngase en contacto con un DISTRIBUIDOR MARUYAMA AUTORIZADO para este servicio.

Limpieza general y ajuste



ADVERTENCIA

RIESGO POTENCIAL

· Cuando el motor está funcionando, el ventilador y otras piezas se mueven.

QUÉ PUEDE SUCEDER

· El contacto con el ventilador en funcionamiento u otras piezas móviles podría provocar lesiones personales graves o incluso la muerte.

CÓMO EVITAR EL PELIGRO

· Apague siempre el soplador portátil antes de proceder con cualquier tarea de limpieza o mantenimiento.

Si se realiza el mantenimiento correctamente, el soplador de MARUYAMA ofrecerá el máximo rendimiento durante un largo período de tiempo. El mantenimiento adecuado incluye comprobar con frecuencia si todas las fijaciones están bien apretadas, y toda la máquina bien limpia.

ALMACENAMIENTO

Para almacenar la Atomizadora durante un tiempo largo, primero realice todos los procedimientos del mantenimiento corriente y las reparaciones necesarias. Desconecte del carburador la línea de suministro de combustible, y oprima el bulbo cebador hasta que deje de salir combustible de la línea de retorno de combustible.

Encienda el motor y permita que marche hasta que se detenga. Tire del cordón de arranque unas pocas veces para remover todo exceso de combustible del motor. Retire la bujía e inserte una pequeña cantidad de aceite dentro del cilindro. Tire lentamente del cordón de arranque y lleve el pistón a una posición lo más cercana posible al orificio de la bujía. Instale nuevamente la bujía. Aplique una capa delgada de aceite a todas las superficies metálicas y almacene la Atomizadora en un lugar seco.

ESPECIFICACIONES

Modèles	MM92-V
Dimensions L x A x A	375 x 480 x 635 mm (14.8 x 18.9 x 25.0 in.)
Poids à sec	11.7 kg (25.8 lbs)
Type de moteur	Maruyama/2-Recorrido Enfriado por Aire CE800 para EPA
Cylindrée	79.2 mL
Système d'allumage	Électrique
Carburateur	Diaphragme toutes positions
Contenance du réservoir à carburant	2.0 L (0.53 gal)
Mélange d'essence :	50:1 Utilisation huile moteur 2 temps Maruyama 50:1 Huile moteur 2 temps ou une huile moteur 2 temps de qualité conçue pour les moteurs 2 temps à refroidissement par air et à haute performance.



Maruyama U.S., Inc.

4770 Mercantile Drive, Suite100,
Fort Worth, TX 76137 U.S.A.

Phone 940-383-7400

Fax 940-383-7466

www.maruyama-us.com

P/N 662547-00 21.04 NK