

PARTS LIST

QC-PL SHAFT

CONTENTS

1. QC-PL_SHAFT	1 ~ 2
----------------------	-------

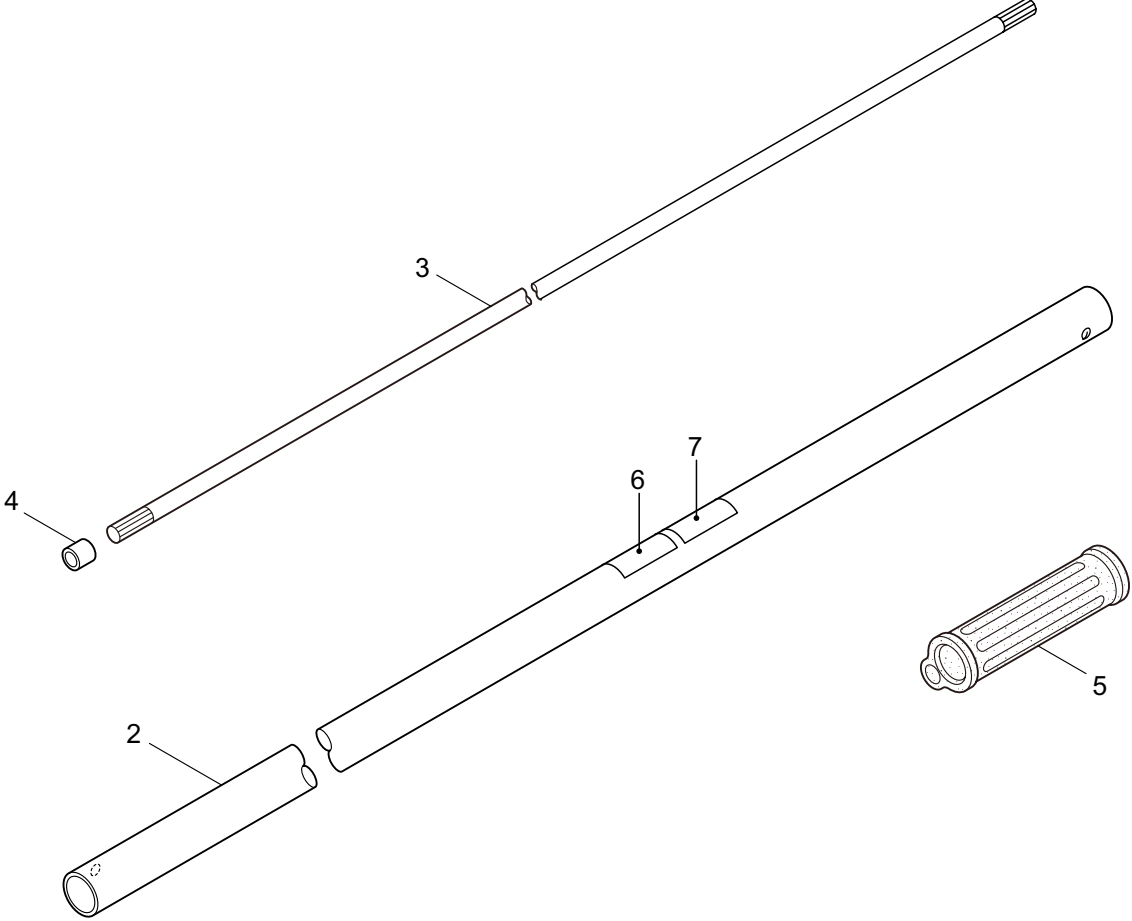
2015. 06.



MARUYAMA

P/N 524105

1. QC-PL_SHAFT



Ref. No.	Part No.	Part Name	Q'ty	Remarks
1-1	364534	QC-PL SHAFT	1	
1-2	237695	Driveshaft Tube Ass'y	1	1500L
1-3	237696	Driveshaft	1	1536L
1-4	216079	Stopper	1	
1-5	215532	Shaft Grip	1	
1-6	231896	Label	1	
1-7	219937	Label	1	

PARTS LIST

QC-P HEAD

CONTENTS

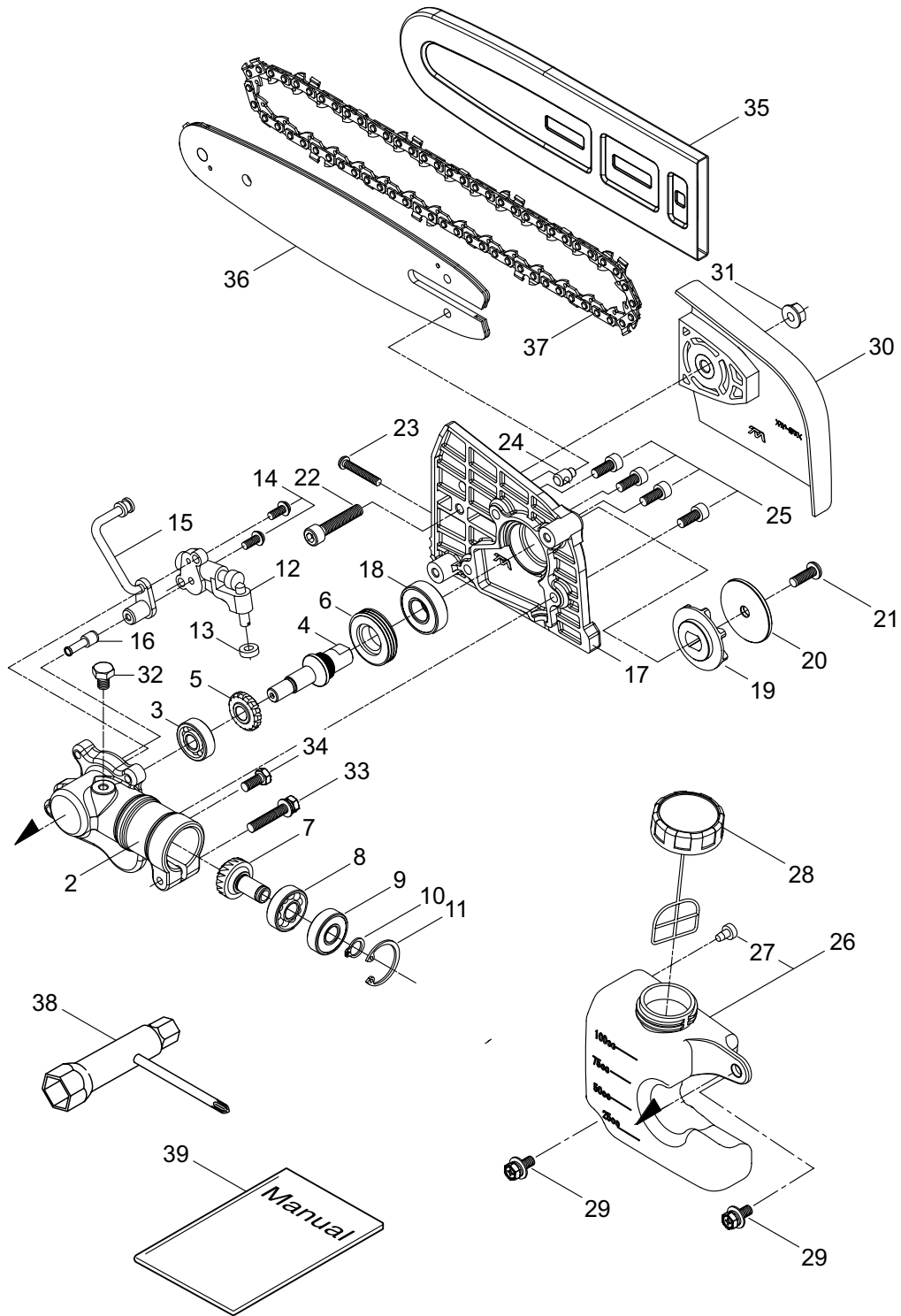
1. QC-P HEAD	1 ~ 2
--------------------	-------

2015. 06.



P/N 524103

1. QC-P HEAD



Ref. No.	Part No.	Part Name	Q'ty	Remarks
1-1	364536	QC-P HEAD	1	
1-2	231855	Gearcase A	1	
1-3	227990	Bearing	1	#608
1-4	231856	Gear Shaft	1	
1-5	231857	Gear	1	
1-6	231858	Worm Wheel	1	
1-7	231859	Pinion Shaft	1	
1-8	227992	Bearing	1	#609
1-9	227993	Bearing	1	#609Z
1-10	228477	Snap Ring	1	#9
1-11	140270	Snap Ring	1	#24
1-12	231860	Oil Pump	1	
1-13	231861	Seal	1	
1-14	231862	Screw	2	
1-15	231863	Pipe, Oil	1	
1-16	231864	Strainer	1	
1-17	234084	Gearcase B	1	
1-18	227991	Bearing	1	#6001DDU
1-19	231866	Sprocket	1	
1-20	231867	Washer	1	
1-21	231868	Bolt	1	M6x15
1-22	125588	Bolt	1	M6x30
1-23	234085	Screw	1	M4x30
1-24	231870	Adjuster	1	
1-25	231871	Bolt	4	M5x12
1-26	234086	Oil Tank Ass'y	1	Incl.27
1-27	231873	Breather	1	
1-28	231874	Tank Cap Ass'y	1	
1-29	092580	Bolt	2	M5x12
1-30	231875	Chain Cover Comp	1	
1-31	126756	Nut	1	M6
1-32	089819	Bolt	1	M6x8
1-33	261246	Cap Screw	1	M5x25
1-34	215993	Cap Screw	1	M5x10
1-35	234087	Chain Cover	1	
1-36	234088	Guide Bar	1	
1-37	289536	Chain	1	
1-38	219968	Box Spanner	1	10x19x(-)
1-39	237821	Instruction Manual	1	