

OPERATING INSTRUCTIONS (424820)



Bump n Feed™ Nylon cutting head for use with trimmers and brushcutters.

You have selected the revolutionary new M-Twist trimmer head, brought to you by Maruyama—manufacturer of the top-quality outdoor power equipment used by professionals the world over. Before use, please ensure proper operation of your new M-Twist trimmer head by carefully reading and following the instructions in this manual.

WARNING!

Like all trimmer heads, the M-Twist rotates and very high RPM. Thus, there is the possibility that foreign objects such as rocks and other debris can be thrown from the cutting area. Use caution when operating near parked cars and windows. Keep bystanders as a safe distance—at least 15 meters from your work area. If the trimmer head contacts a solid object such as a concrete or stone, the head could suffer damage and broken bits can be thrown. If you damage your head, cease operating and inspect the M-Twist head. Repair or replace as necessary.

PRECAUTION

Read and follow the instructions in this manual whenever you operate the M-Twist trimmer head. The M-Twist is designed for cutting grass and weeds with nylon cutting line on a trimmer or brushcutter. Do not use this product for any other purpose. If you lend this product to another person, this manual must accompany the product. All operators must be fully aware of operating instructions. Keep these instructions in a convenient location, where the information is readily available to you and others who might use the M-Twist head. Read and follow the operating instructions for your trimmer or brushcutter. These are provided by the equipment manufacturer.

Wear proper protective clothing and protective equipment such as goggles, face shield, gloves, boots and ear protection when operating your trimmer or brushcutter with the M-Twist trimmer head. Your trimmer or brushcutter must be equipped with a safety strap and debris shield. (Fig.2)

Your M-Twist trimmer head features a visible wear bar near the eyelets. When this wear bar disappears from long-term usage, you must replace the cover. Also, if holes or cracks form in the cover or any part of your M-Twist trimmer head, it is time for replacement. (Fig.3)

Be certain that your M-Twist is installed properly before operating. Rotate the head by hand prior to starting the engine to ensure proper installation. An unbalanced head will result in high levels of vibration and possible disengagement from your machine. (Fig.4)

Keep all persons and animals away from your working area—at least 15 meters away. Also, pay close attention to the proximity of parked cars, windows or other objects that can be damaged by flying debris.

Do not operate the M-Twist trimmer head at speed greater than 10,000 RPM.

Avoid contacting solid objects such as concrete, stone and glass bottles while operating your trimmer or brushcutter with the M-Twist head. (Fig.5)

When advancing line with the bumping motion, reduce your operating speed to 4,500 RPM.

If you detect any problems with the head, stop your engine immediately and inspect the cutting attachment. Any failed part or component must be replaced immediately. Failure to do so can result in serious injury.

When you stop your engine to perform any service work on the M-Twist head, make certain rotation has fully ceased before you touch the head. Common infield service includes refilling the head with line or removing tangled grass from the end of the trimmer/brushcutter shaft. (Fig.6)

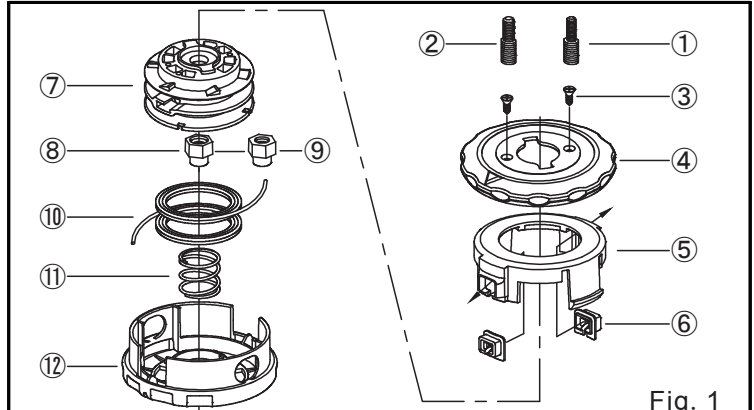


Fig. 1

No.	Part #	DESCRIPTION	Q'ty
①	424814	BOLT M7XM10	1
②	424815	BOLT M8XM10	1
③	424827	TAPPING SCREW	2
④	424823	CASE COVER	Black 1
⑤	424822	CASE	Black 1
⑥	424825	EYELET	2
⑦	424824	LINE HOLDER	Black 1
⑧	424817	NUT M10X1.25	1
⑨	424816	NUT M8X1.25	1
⑩	424828	NYLON CODE	1
⑪	424826	SPRING	1
⑫	424821	COVER	Black 1

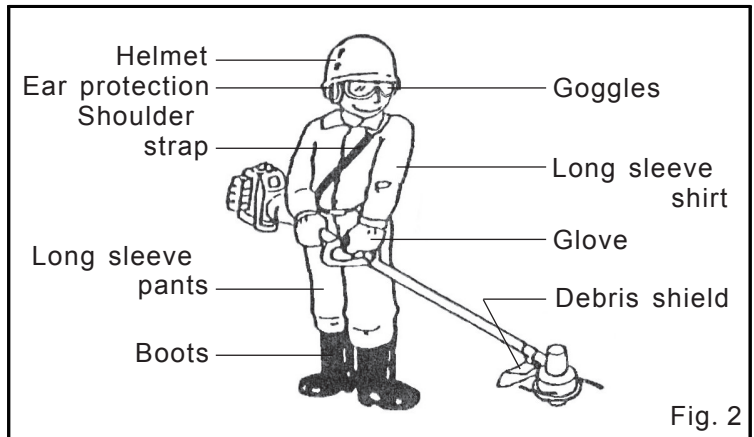


Fig. 2

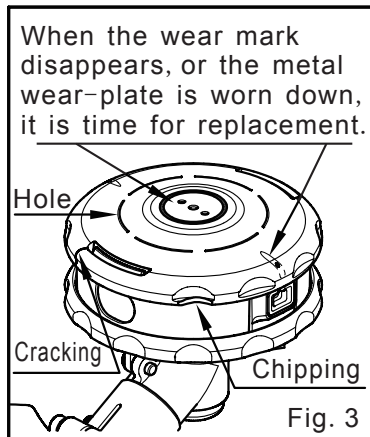


Fig. 3

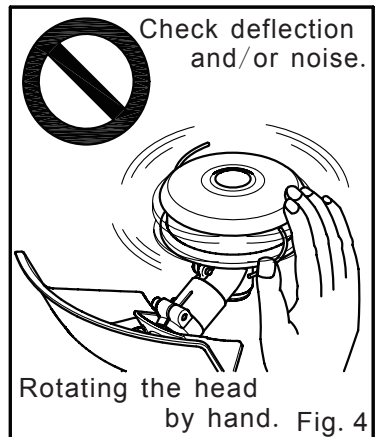


Fig. 4



Fig. 5



Fig. 6

OPERATING INSTRUCTIONS (424820)



Bump n Feed™ Nylon cutting head for use with trimmers and brushcutters.

You have selected the revolutionary new M-Twist trimmer head, brought to you by Maruyama—manufacturer of the top-quality outdoor power equipment used by professionals the world over. Before use, please ensure proper operation of your new M-Twist trimmer head by carefully reading and following the instructions in this manual.

WARNING!

Like all trimmer heads, the M-Twist rotates and very high RPM. Thus, there is the possibility that foreign objects such as rocks and other debris can be thrown from the cutting area. Use caution when operating near parked cars and windows. Keep bystanders at a safe distance—at least 15 meters from your work area. If the trimmer head contacts a solid object such as a concrete or stone, the head could suffer damage and broken bits can be thrown. If you damage your head, cease operating and inspect the M-Twist head. Repair or replace as necessary.

PRECAUTION

Read and follow the instructions in this manual whenever you operate the M-Twist trimmer head. The M-Twist is designed for cutting grass and weeds with nylon cutting line on a trimmer or brushcutter. Do not use this product for any other purpose. If you lend this product to another person, this manual must accompany the product. All operators must be fully aware of operating instructions. Keep these instructions in a convenient location, where the information is readily available to you and others who might use the M-Twist head. Read and follow the operating instructions for your trimmer or brushcutter. These are provided by the equipment manufacturer.

Wear proper protective clothing and protective equipment such as goggles, face shield, gloves, boots and ear protection when operating your trimmer or brushcutter with the M-Twist trimmer head. Your trimmer or brushcutter must be equipped with a safety strap and debris shield. (Fig.2)

Your M-Twist trimmer head features a visible wear bar near the eyelets. When this wear bar disappears from long-term usage, you must replace the cover. Also, if holes or cracks form in the cover or any part of your M-Twist trimmer head, it is time for replacement. (Fig.3)

Be certain that your M-Twist is installed properly before operating. Rotate the head by hand prior to starting the engine to ensure proper installation. An unbalanced head will result in high levels of vibration and possible disengagement from your machine. (Fig.4)

Keep all persons and animals away from your working area—at least 15 meters away. Also, pay close attention to the proximity of parked cars, windows or other objects that can be damaged by flying debris.

Do not operate the M-Twist trimmer head at speed greater than 10,000 RPM.

Avoid contacting solid objects such as concrete, stone and glass bottles while operating your trimmer or brushcutter with the M-Twist head. (Fig.5)

When advancing line with the bumping motion, reduce your operating speed to 4,500 RPM.

If you detect any problems with the head, stop your engine immediately and inspect the cutting attachment. Any failed part or component must be replaced immediately. Failure to do so can result in serious injury.

When you stop your engine to perform any service work on the M-Twist head, make certain rotation has fully ceased before you touch the head. Common infield service includes refilling the head with line or removing tangled grass from the end of the trimmer/brushcutter shaft. (Fig.6)

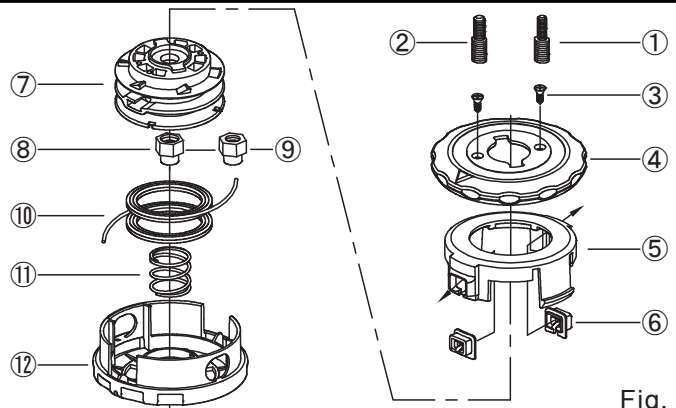


Fig. 1

No.	Part #	DESCRIPTION	Q'ty
①	424814	BOLT M7XM10	1
②	424815	BOLT M8XM10	1
③	424827	TAPPING SCREW	2
④	424823	CASE COVER	Black 1
⑤	424822	CASE	Black 1
⑥	424825	EYELET	2
⑦	424824	LINE HOLDER	Black 1
⑧	424817	NUT M10X1.25	1
⑨	424816	NUT M8X1.25	1
⑩	424828	NYLON CODE	1
⑪	424826	SPRING	1
⑫	424821	COVER	Black 1

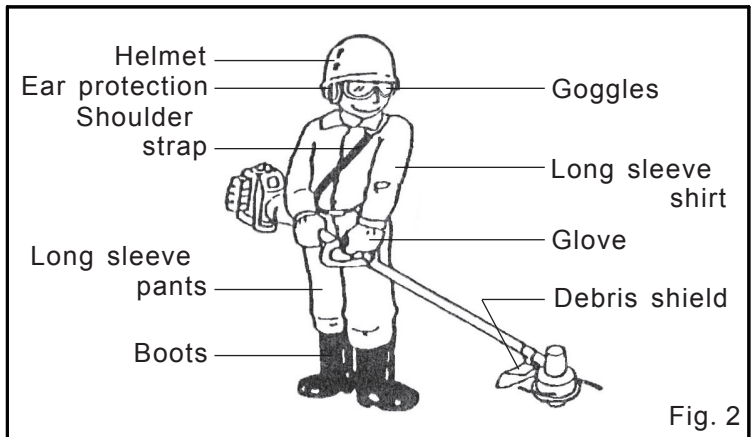


Fig. 2

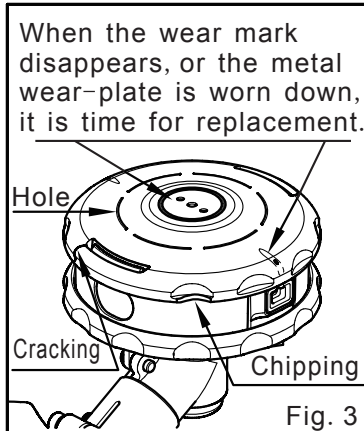


Fig. 3

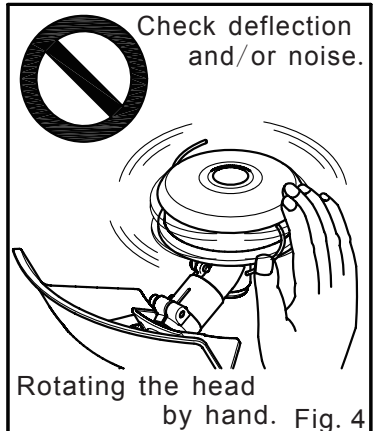


Fig. 4



Fig. 5



Fig. 6