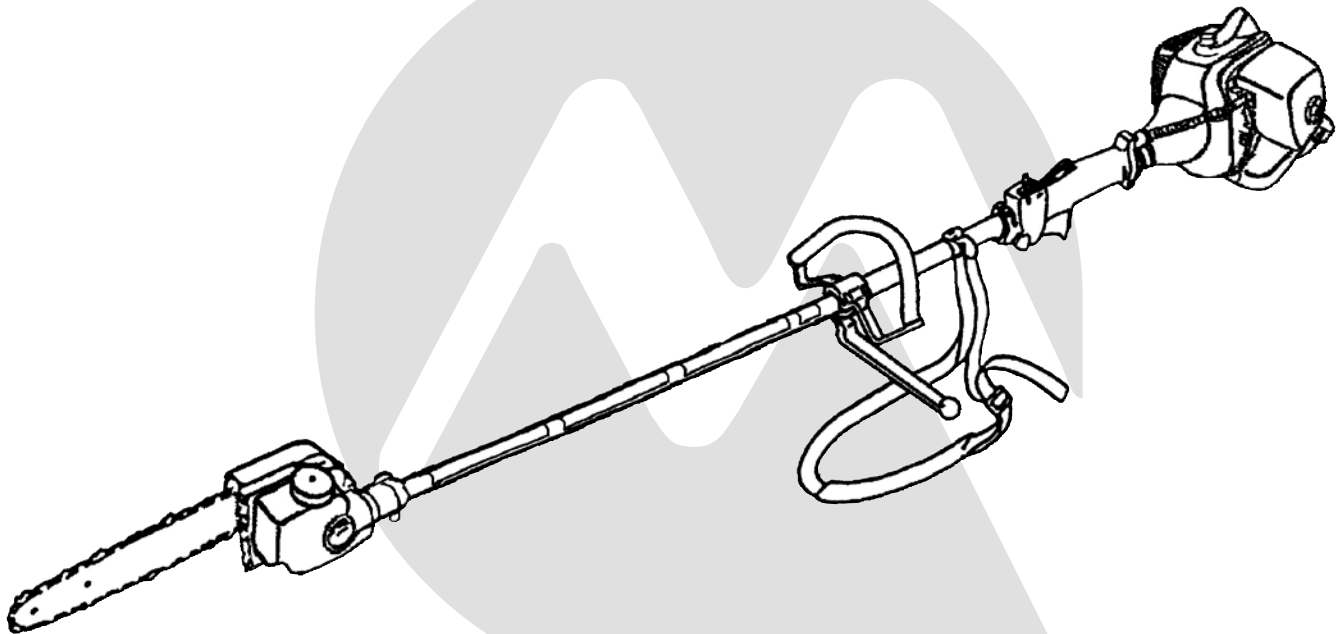




**MARUYAMA®**

**OPERATOR'S MANUAL  
MANUAL DEL OPERADOR  
MANUEL D'OPÉRATEUR**

**Pruner  
Podadora  
Élagueuse  
P23-10**

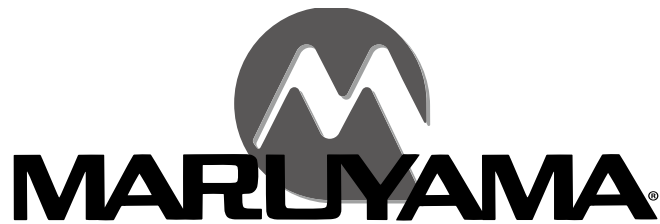


**The POWER in Outdoor Power**

Completely read and understand this manual PRIOR to using this product.

Lea y entienda este manual a fondo, ANTES de usar este producto.

Lisez complètement et comprenez ce manuel AVANT d'utiliser ce produit.



## Limited Warranty Statement

All Maruyama commercial/ industrial products are warranted to the original purchaser to be free from defects in material and workmanship **from the date of purchase** for the time periods listed as follows:

**Lifetime** for inner drive shaft on trimmers and brushcutters and all ignition modules.

**3 years** for residential, non-institutional, non-income producing use.

**1 year** for industrial, commercial, institutional, rental and income producing use.

Maruyama AE series engines and Kawasaki TEX45/TEX54 are covered exclusively for one additional year of industrial, commercial, institutional, rental and income producing use (total of 2 years).

All other engines refer to engine manufacturer's warranty statement.

Any part of a Maruyama product found to be defective within the applicable warranty period shall, at Maruyama's option, be repaired or replaced without charge. Warranty consideration is obtained by delivering any Maruyama product believed to be defective to an Authorized Maruyama Servicing Dealer within the applicable warranty period.

The purchaser shall not be charged for diagnostic labor that leads to the determination that a warranted part is defective, if the diagnostic work is performed at a Maruyama Dealer.

Any warranted part which is not scheduled for replacement as required maintenance, or which is scheduled only for regular inspection to the effect of "repair or replace as necessary" shall be warranted for the warranty period. Any warranted part, which is scheduled for replacement as, required maintenance shall be warranted for the period of time up to the first scheduled replacement point for that part. Maruyama Mfg. Co., Inc. is liable for damages to other engine components caused by the failure of a warranted part still under warranty.

The purchaser is responsible for the performance of the required maintenance, as defined by Maruyama Mfg. Co., Inc. in the Owner's/Operator's Manual.

**EMISSION-RELATED PARTS WARRANTY:** In addition to the above warranty coverage, Maruyama Mfg. Co., Inc. will repair or replace, free of charge, for the original purchaser and each subsequent purchaser any emission-related part or parts found to be defective in material and workmanship for two (2) years from original retail delivery date. **Emission-related parts are the carburetor assembly, the ignition coil assembly, the ignition rotor, the spark plug, the catalytic converter and the fuel tank.** Any replacement part that is equivalent in performance and durability may be used in non-warranty maintenance or repairs, and shall not reduce the warranty obligations of Maruyama Mfg. Co., Inc.

**This warranty does not cover the following:**

1. Maintenance items (excluding defects in materials and workmanship) including hoses, spark plugs, starter rope, air and fuel filters, clutch shoes, vibration isolators, throttle cables and all cutting attachments, etc.
2. Extra expenses including shipping and handling, travel, payment for lost time or pay and for any inconvenience and storage.
3. Alterations or modifications including aftermarket parts not authorized by Maruyama U.S., Inc.
4. Wear, accident, abuse, neglect, misuse, negligence, improper fuels, lubricants, fuel mixtures (when applicable), or failure to operate or maintain the product in accordance with instructions approved by Maruyama.

Repair or replacement as provided under this warranty is the exclusive remedy of the consumer. Maruyama shall not be liable for any incidental or consequential damages for breach of any express or implied warranty on these products except to the extent prohibited by applicable law. Any implied warranty of merchantability or fitness for a particular purpose on these products is limited in duration to the warranty period as defined in the limited warranty statement. Maruyama reserves the rights to change or improve the design of the product without notice and does not assume obligation to update previously manufactured products.

This warranty provides you with specific legal rights, which may vary from state to state.

It is the Owner's and Dealer's responsibility to make sure the Warranty Registration Card is properly filled out and mailed to Maruyama U.S., Inc. Proof of purchase and registration will be required in order to obtain warranty service.

To locate an Authorized Maruyama Servicing Dealer nearest you, contact:.

**Maruyama U.S., Inc.**  
**4770 Mercantile Drive, suite100,**  
**Fort Worth, TX 76137 U.S.A.**  
**(940) 383-7400**  
**maruyama@maruyama-us.com**  
**www.maruyama-us.com**



- (b) As the small off-road engine owner, you should be aware, however, that Maruyama Manufacturing Company may deny you warranty coverage if your small off-road engine or a part has failed due to abuse, neglect, improper maintenance or unapproved modifications.
- (c) You are responsible for presenting your small off-road engine to a Maruyama Manufacturing Company, Inc. service center as soon as a problem exists. The warranty repairs should be completed in a reasonable amount of time, not to exceed 30 days.

If you have any questions regarding your warranty rights and responsibilities, you should contact Maruyama U.S., Inc. at **1-866-783-7400**.

## **COVERAGE**

Maruyama Manufacturing Company, Inc. warrants to the ultimate purchaser and each subsequent purchaser that your small off-road engine will be designed, built and equipped, at the time of sale, to meet all applicable regulations. Maruyama Manufacturing Company, Inc. also warrants to the initial purchaser and each subsequent purchaser that your small off-road engine is free from defects in materials and workmanship which cause the engine to fail to conform with applicable regulations for a period of two years.

The 1997 and later model years, EPA requires manufacturers to small off-road engines for two years. These warranty periods will begin on the date the small off-road engine is purchased by the initial purchaser. If any emission-related part on your engine is defective, the part will be replaced by Maruyama Manufacturing Company, Inc. at no cost to the owner.

Maruyama Manufacturing Company, Inc. shall remedy warranty defects at any authorized Maruyama Manufacturing Company, Inc. engine dealer or warranty station. Any authorized work done at an authorized dealer or warranty station shall be free of charge to the owner if such work determines that a warranted part is defective. Any manufacturer-approved or equivalent replacement part may be used for any warranty maintenance or repairs on emission-related parts, and must be provided free of charge to the owner if the part is still under warranty, Maruyama Manufacturing Company, Inc. is liable for damages to other engine components caused by the failure of a warranted part still under warranty.

EPA considers emission-related warranted parts to include all the parts listed below. These warranted parts are: **the carburetor assembly, the ignition coil assembly, the ignition rotor, the spark plug, the catalytic converter, and the fuel tank.**

## **MAINTENANCE REQUIREMENTS**

The owner is responsible for the performance of the required maintenance as defined by the Maruyama Manufacturing Company, Inc. in the owner's manual.

## **LIMITATIONS**

This Emission Control System Warranty shall not cover any of the following:

- (a) repair or replacement required because of misuse or neglect, lack of required maintenance, repairs improperly performed or replacements not conforming to Maruyama Manufacturing Company, Inc. specifications that adversely affect performance and/or durability, and alterations or modifications not recommended or approved in writing by Maruyama Manufacturing Company, Inc., and
- (b) replacement of parts and other services and adjustments necessary for required maintenance at and after the first scheduled replacement point.

# CALIFORNIA EMISSION CONTROL WARRANTY STATEMENT

## YOUR WARRANTY RIGHTS AND OBLIGATIONS

The California Air Resources Board (CARB), and Maruyama Manufacturing Company, Inc. are pleased to explain the emission control system warranty on your 2013 small off-road engine. In California, new small off-road engines must be designed, built and equipped to meet the State's stringent anti-smog standards. Maruyama Manufacturing Company, Inc. must warrant the emission control system on your small off-road engine for the period of time listed above provided there has been no abuse, neglect or improper maintenance of your small off-road engine.

Your emission control system may include parts such as the carburetor or fuel injection system, the ignition system, and catalytic converter. Also included may be hoses, belts, and connectors and other emission related assemblies.

Where a warrantable condition exists, Maruyama Manufacturing Company, Inc. will repair your small off-road engine at no cost to you, including diagnosis, parts, and labor.

### **MANUFACTURER'S WARRANTY COVERAGE:**

The 1995 and later small off-road engines are warranted for two years. If any emission-related part on your engine is defective, the part will be repaired or replaced by Maruyama Manufacturing Company, Inc.

### **OWNER'S WARRANTY RESPONSIBILITIES:**

- (a) As the small off-road engine owner, you are responsible for the performance of the required maintenance listed in your owner's manual.  
Maruyama Manufacturing Company, Inc. recommends that you retain all receipts covering maintenance on your small off-road engine, but Maruyama Manufacturing Company, Inc. cannot deny warranty solely for the lack of receipts or for your failure to ensure the performance of all scheduled maintenance
- (b) As the small off-road engine owner, you should be aware, however, that Maruyama Manufacturing Company may deny you warranty coverage if your small off-road engine or a part has failed due to abuse, neglect, improper maintenance or unapproved modifications.
- (c) You are responsible for presenting your small off-road engine to a Maruyama Manufacturing Company, Inc. distribution center as soon as a problem exists. The warranty repairs should be completed in a reasonable amount of time, not to exceed 30 days.

If you have any questions regarding your warranty rights and responsibilities, you should contact Maruyama U.S., Inc. at **1-866-783-7400**.

### **Emission System Parts**

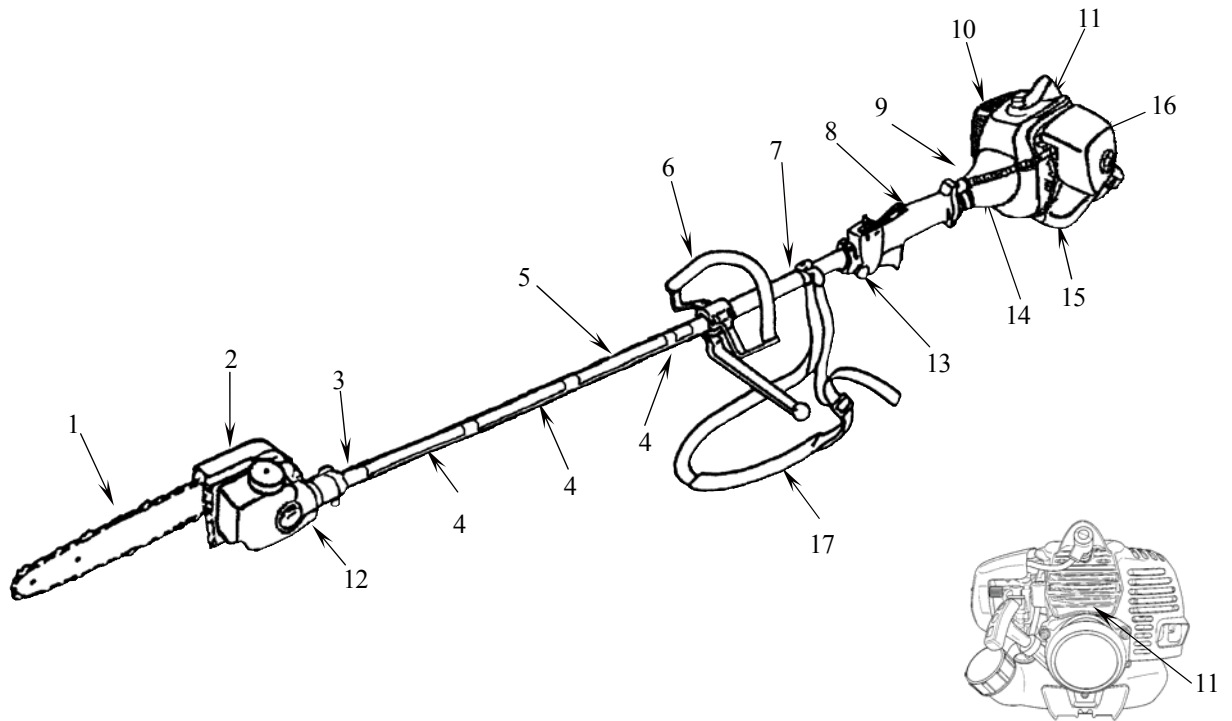
**Exhaust Emission**  
**Carburetor**  
**Muffler**  
**Catalytic Converter**  
**Ignition Coil / Magneto**  
**Spark Plug**  
**Air Filter**  
**EGR Valve (piston)**  
**Fuel Filter**

**Evaporative Emission**  
**Fuel Tank**

# Contents

	<b>Page US-</b>		<b>Page US-</b>
Limited Warranty Statement .....	1	Fuel Mixture .....	17
Federal Emission Control .....	3	Fuel Mixture Chart .....	17
California Emission Control .....	5	Mixing Instructions .....	17
Contents .....	6	Starting And Stopping .....	17
Product Description .....	7	To Stop The Engine .....	18
Introduction.....	8	Operation .....	19
Safety .....	8	Maintenance.....	20
Operator Safety .....	8	Idle Speed Adjustment.....	20
Pruner Safety .....	9	Air Filter .....	21
Fuel Safety .....	9	Fuel Filter .....	21
Pruner Operating Safety .....	10	Spark Plug .....	22
Safety and Instruction Decals .....	11	Cylinder Cooling Fins .....	22
Assembly .....	12	Spark Arrester .....	23
Assembling Engine and Drive Shaft Assembly .....	12	Exhaust Muffler .....	23
Loop Handle Installation .....	12	Sharpening saw chain .....	23
Connecting Throttle Cable and Stop Switch Wires .....	12	Adjusting depth gauge .....	24
Guide bar and saw chain installation .....	14	Guide bar care.....	25
Installing Shaft and Gearcase .....	14	Inspection of sprocket.....	25
Before Operation.....	14	Gear case .....	25
Chain Oil .....	14	General Cleaning and Tightening .....	25
Oil and Fuel .....	15	Storage .....	26
Recommended Oil Type .....	16	Troubleshooting .....	27
Recommended Fuel Type .....	16	Maintenance Period .....	27
Use Of Fuel Additives .....	16	Specifications.....	28
Mixing Gasoline And Oil .....	16		

# Product Description



- |                                       |  |
|---------------------------------------|--|
| 1. Chain and Guide Bar                | 10. Engine                               |
| 2. Pruner Head                        | 11. Serial Number (on rear of engine)    |
| 3. Shaft Assembly                     | 12. Gearcase                             |
| 4. Safety Decal                       | 13. Throttle Trigger and Stop Switch     |
| 5. Model Name                         | 14. Throttle Cable and Stop Switch Wires |
| 6. Loop Handle                        | 15. Fuel Tank                            |
| 7. Attachment Ring for Shoulder Strap | 16. Air Filter                           |
| 8. Shaft Grip                         | 17. Shoulder Strap                       |
| 9. Clutch Drum Housing                |  |



# Introduction

Thank you for purchasing a MARUYAMA product.

Maruyama, its distributors, and dealers want you to be completely satisfied with your new product. Please feel free to contact your local Authorized Service Dealer for help with service, genuine Maruyama parts, or other information you may require.

Whenever you contact your Authorized Service Dealer or the factory, always know the serial number of your product. This number will help the Service Dealer or Service Representative provide exact information about your specific product. You will find the model and serial number located in a unique place on the product (Product Description on page US-7).

For your convenience, write the product model name and serial number in the space below.

<b>Model Name</b> _____
<b>Serial No.</b> _____

Read this manual carefully to learn how to operate and maintain your product correctly. Reading this manual will help you and others avoid personal injury and damage to the product. Although MARUYAMA designs, produces and markets safe, state of the art products, you are responsible for using the product properly and safely. You are also responsible for training persons who you allow to use the product about safe operation.

The MARUYAMA warning system in this manual identifies potential hazards and has special safety messages that help you and others avoid personal injury, even death.

DANGER, WARNING and CAUTION are signal words used to identify the level of hazard. However, regardless of the hazard, be extremely careful.

DANGER signals an extreme hazard that will cause serious injury or death if the recommended precautions are not followed.

WARNING signals a hazard that may cause serious injury or death if the recommended precautions are not followed.

CAUTION signals a hazard that may cause minor or moderate injury if the recommended precautions are not followed. Two other words are also used to highlight information. "Important" calls attention to special mechanical information and "Note" emphasizes general information worthy of special attention.

## Safety

### Operator Safety

1. Read and understand this Operator's Manual before using this product. Be thoroughly familiar with the proper use of this product.
2. Never allow children to operate the Pruner. It is not a toy. Never allow adults to operate the unit without first reading the Operator's Manual.
3. Always wear eye protection that complies with ANSI (American National Standards Institute) Z87-1.



4. Always wear hearing protection.



5. Always wear heavy, long pants, a long sleeved shirt, boots and gloves. Do not wear loose clothing, jewelry, short pants, sandals, or go barefoot. Secure hair so it is above shoulder length.
6. Never operate this Pruner when you are tired, ill, or under the influence of alcohol, drugs or medication.
7. Never start or run the engine inside a closed room or building. Breathing exhaust fumes can cause death.



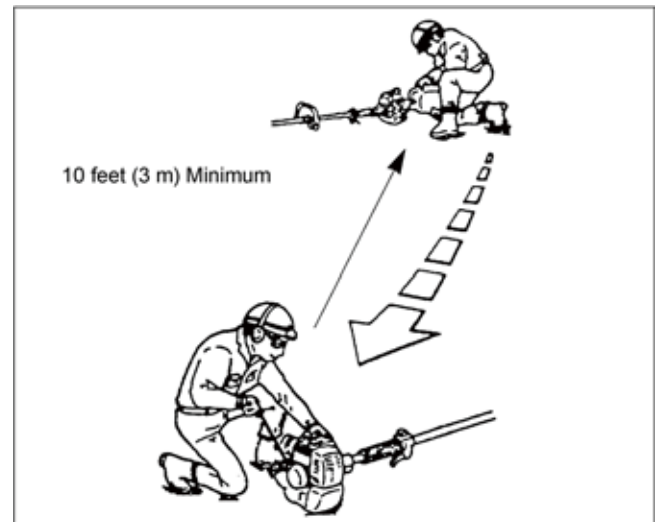
8. Keep handles clean of oil, fuel and dirt.

## Pruner Safety

1. Make sure the Unit is assembled correctly and that the guide bar and chain are correctly installed and securely fastened as instructed in the Assembly section.
2. Inspect the Unit before each use. Replace damaged parts. Check for fuel leaks. Make sure all fasteners are in place and tightened securely. Follow the maintenance instructions beginning on page US-21.
3. Make sure the chain does not move at engine idle speed. Refer to Idle Speed Adjustment, page US-21.
4. Inspect the chain and guide bar and replace any parts that are cracked, worn or damaged before using the Pruner.
5. Never use a cutting chain or replacement parts that are not approved by MARUYAMA.
6. Maintain the Pruner according to the recommended maintenance intervals and procedures in the Maintenance section.
7. Shut off the engine and be certain the cutting chain has completely stopped moving before inverting the Pruner, performing maintenance on or working on the Pruner machine.
8. If running problems or excessive vibration occur, stop immediately and inspect the unit for the cause. If the cause cannot be determined or is beyond your ability to correct, return the Pruner to your servicing dealer for repair.

## Fuel Safety

1. Gasoline is highly flammable and must be handled and stored carefully. Use a container approved for fuel to store gasoline and/ or fuel/ oil mixture.
2. Mix and pour fuel outdoors, where there are no sparks or flames.
3. Do not smoke near fuel or Pruner, or while using the Pruner.
4. Do not overfill the fuel tank. Stop filling 1/4-1/2 inch (6 mm-13 mm) from the top of the tank.
5. Wipe up any spilled fuel before starting the engine.
6. Move the Pruner at least 10 feet (3 m) away from the fueling location before starting the engine.



7. Do not remove the fuel tank cap while the engine is running, or right after stopping the engine.
8. Allow the engine to cool before refueling.
9. Drain the tank and run the engine dry before storing the unit.
10. Store fuel and Pruner away from open flame, sparks and excessive heat. Make sure fuel vapors cannot reach sparks or open flames from water heaters, furnaces, electric motors, etc.

## Pruner Operating Safety

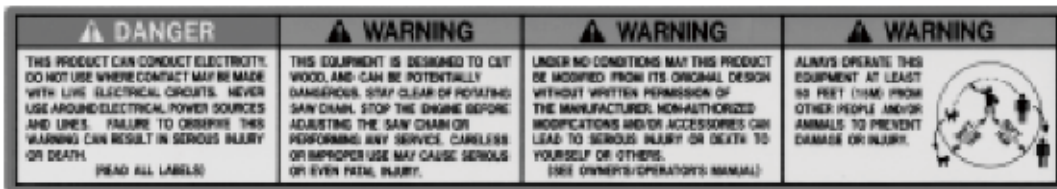
1. THIS PRUNER CAN CAUSE SERIOUS INJURIES. Read the instructions carefully. Be familiar with all controls and the proper use of the Pruner.
2. The Pruner is designed to cut wood and can therefore be potentially dangerous. Careless or improper use can cause serious or even fatal injury.
3. This Pruner can conduct electricity. Do not use where contact can be made with live electrical circuits. Never use around electrical power sources and lines. Failure to observe this warning can result in serious injury or death.
4. Beware of where material will fall after being cut. Do not stand underneath falling material.
5. Inspect your work area before you begin. Remove objects such as broken glass, nails, wire and rocks which can become dangerous projectiles if thrown by the Pruner. Remove string, rope or similar materials which can become entangled in the Pruner head.
6. This Pruner will throw objects and cut. Keep children, bystanders and animals outside a 50 ft. (15m) radius from the operator and Trimmer. Beyond the 50 ft. (15 m) there still may be a risk of injury to bystanders from thrown objects. It is recommended that bystanders wear eye protection. A thrown object can ricochet. (See the String Trimmer Operating Safety)
7. If you are approached while operating the Pruner, stop the engine and Pruner chain motion.
8. Use the Pruner only in daylight or good artificial light.
9. Do not put hands or feet near or under any rotating parts. Keep clear at all times. Keep all parts of your body away from the Pruner chain and hot surfaces such as the muffler.
10. Keep firm footing and balance. Do not overreach.
11. Use the right tool for the job. Do not use the Pruner for any job that is not recommended by MARUYAMA.

# Safety and Instruction Decals

Safety decals and instructions are easily visible to the operator and are located near any area of potential danger. Replace any decal that is damaged or lost.



**ON SHAFT**  
(Part No.221501)



**ON SHAFT**  
(Part No.221529)

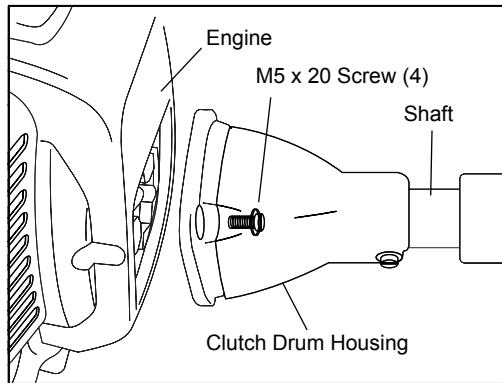


**ON SHAFT**  
(Part No.219937)

# Assembly

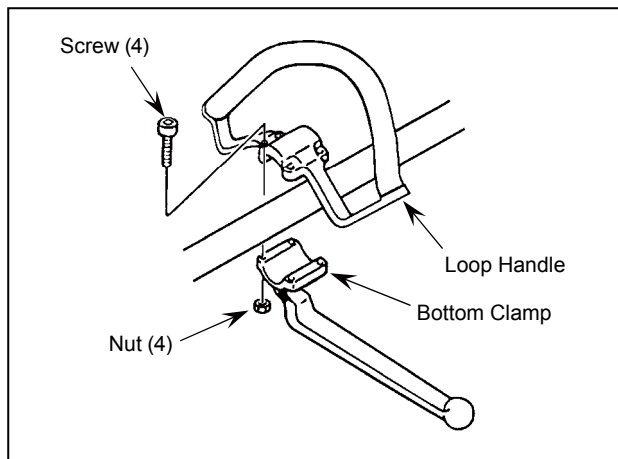
## Assembling Engine and Drive Shaft Assembly

The drive shaft, clutch drum housing and gearcase are assembled. Attach the clutch drum housing to the engine using the four M5 x 20 screws supplied with the unit.



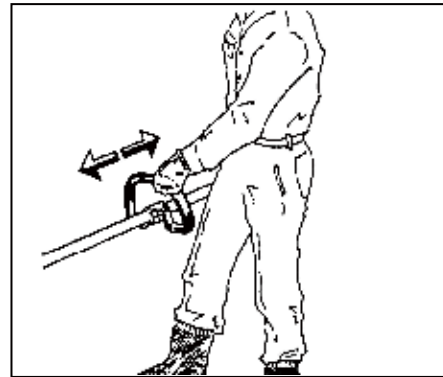
## Loop Handle Installation

The loop handle kit contains a package of four screws and nuts and the bottom clamp for the loop handle.



1. Place the loop handle and the bottom clamp on the shaft approximately 28cm(11 inches) from the end of the stop switch/throttle trigger assembly.
2. Install the four screws and nuts. Leave the screws fingertight.

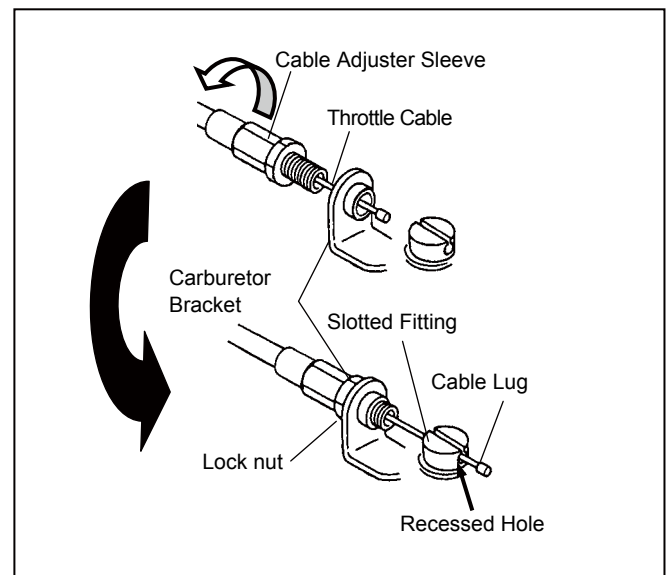
3. Reposition the loop handle up or down the driveshaft to the most comfortable position, but no closer than 9 inches (22.8 cm) from the end of the stop switch.



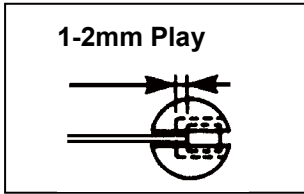
4. Tighten the screws and nuts.

## Connecting Throttle Cable and Stop Switch Wires

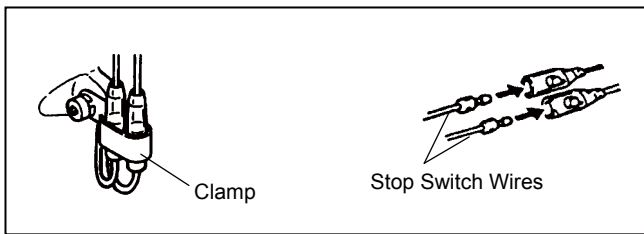
1. Loosen the knob and remove the air filter cover, insert the throttle cable through the carburetor bracket, then screw a cable adjuster sleeve into the carburetor bracket fully.
2. Position the slotted fitting on the carburetor so the recessed hole for the lug is away from the cable adjuster sleeve.
3. Rotate the carburetor throttle cam and slip the throttle cable through the slot in the slotted fitting, making sure the cable lug drops into the recessed hole.



- Operate the throttle trigger a few times to make sure that it works correctly.
- Adjust the cable adjuster sleeve so the stop on the carburetor throttle cam just contacts the throttle stop and the cable position keep 1-2mm play between cable lug and slotted fittings when the throttle trigger is fully depressed.



- When the throttle cable is adjusted correctly, tighten the lock-nut.
- Plug the stop switch wires into the matching connectors from the engine. Note that wire polarity is not important.
- Lap and fix the stop switch wires and connectors with clamp.



- Reinstall the air filter cover and tighten the knob.

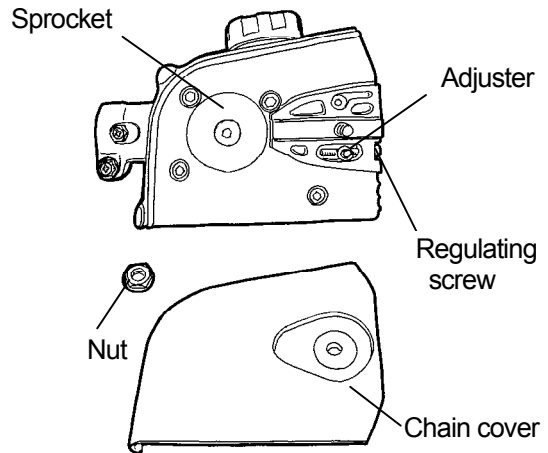
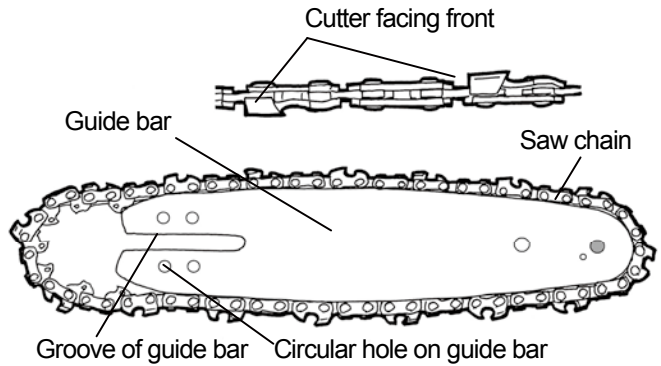
## Guide bar and saw chain installation

- Slot the saw chain in the groove of the guide bar, ensuring that the cutter section of the saw chain is facing the front.

### ⚠ CAUTION

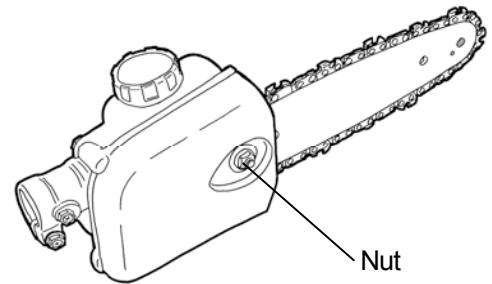
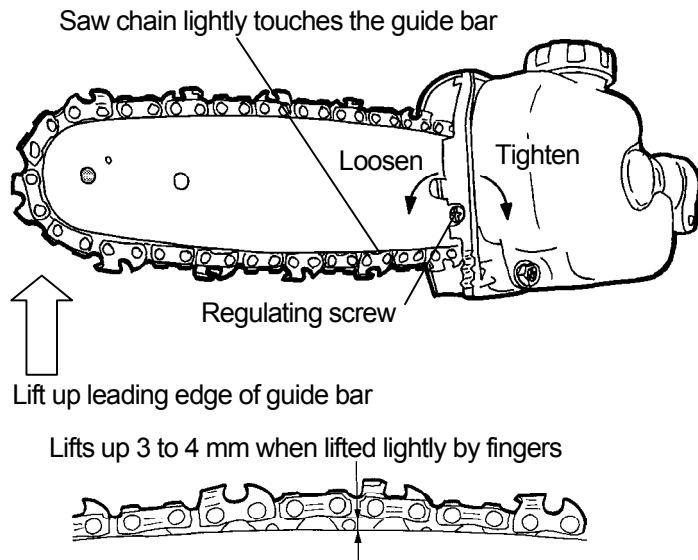
- In order to prevent cuts, be sure to wear gloves when handling the guide bar and saw chain.
- Maintain the tension of the saw chain properly at all times.
- If not enough tension is applied to the saw chain it can easily be dislodged when the saw chain is in motion.
- If too much tension is applied to the guide bar, saw chain and clutch may wear prematurely as a result.

- Engage the saw chain into the sprocket.
- Insert the groove of the guide bar into the pruner's



main unit and adjust the regulating screw to ensure that the adjuster is inserted in the circular hole of the guide bar.

- Put the chain cover on and temporarily screw it in place using a nut, to the extent that the guide bar can be moved.
- Lift up the leading edge of the guide bar and using a screw driver turn the regulating screw clockwise to tighten the saw chain until the saw chain slightly touches the lower side of the guide bar.
- Securely tighten the nut on the chain cover, using the box spanner, provided as an accessory with the product.
- Verify that the saw chain on the central section of the guide bar can be lifted by the fingers 3 to 4 mm off the guide bar.

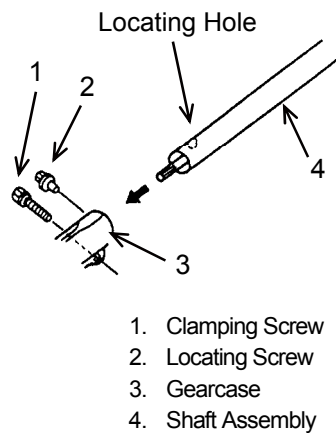


## Installing Shaft and Gearcase

Attach the shaft assembly to the Pruner gearcase assembly.

Note:

Align the locating holes and install the locating screw through the side of the gearcase. Then tighten the clamping screws.

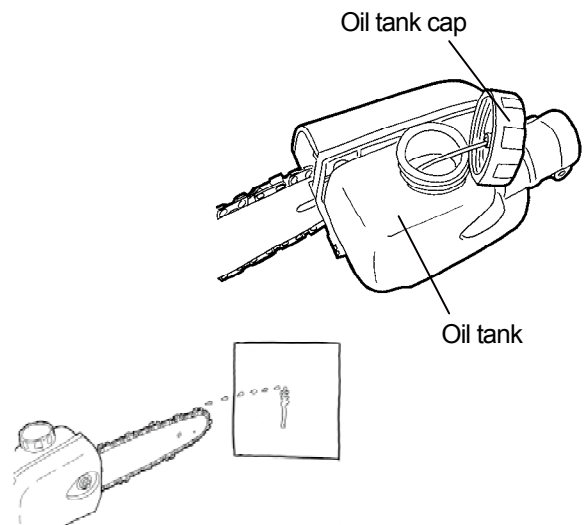


## Before operation

### Chain oil

#### 1) Adding oil

1. Remove the oil tank cap and pour the chain oil (SAE #10W-30) into the oil tank.
2. Once the oil has been poured into the oil tank, tighten the oil tank cap to securely close the tank.



## **⚠ DANGER**

- Ensure that the guide bar and saw chain are installed on the pruner before verifying the discharging rate of the chain oil. The rotator will be exposed and therefore dangerous if the guide bar and the saw chain are not installed on the pruner.

## ⚠ CAUTION

- It may take some time before the oil begins to discharge once the oil has been added to a new product or when oil has been added to an empty tank. Do not turn the pruner on at a high speed in such circumstances.
- When a new chain is to be used, immerse the chain in chain oil for some time prior to installing it on the pruner, or pour the oil directly on to the chain and the guide bar, after installing it on the pruner. If they are not properly lubricated with oil the pruner may seize.

The regulating screw has three positions, Minimum, Intermediate and Maximum, only.

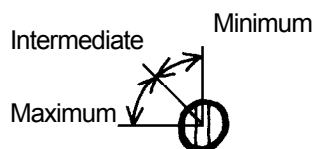
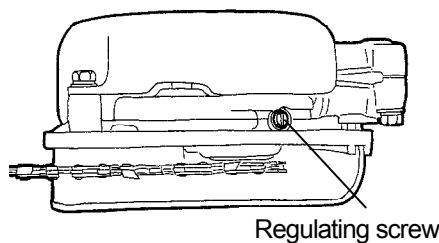
The regulating screw is set to Intermediate at the time of shipping. It is recommended that the product be used with this setting for ordinary use.

- Increase the discharging rate when cutting hard branches or branches with a lot of resin (pitch), or when the viscosity of the oil is high during winter.

1. Insert a minus screw driver into the regulating screw at the bottom of the main unit.
2. When applying pressure with the minus screw driver, turn the screw to the right (clockwise) to reduce the discharging rate and to the left (counterclockwise) to increase the discharging rate.
3. Turn the engine on and turn the saw chain, with the guide bar facing the ground or tree. Oil will attach to the ground or tree, if the oil is discharging.

## ⚠ CAUTION

- Using the pruner with a saw chain too loose may result in the saw chain becoming dislodged and could cause an accident. Please be sure to check the tension of the saw chain before starting any work.



Be sure to turn the screw while applying pressure to it with the screwdriver.

## Oil and Fuel

### ⚠ DANGER

#### POTENTIAL HAZARD

- In certain conditions gasoline is extremely flammable and highly explosive.

#### WHAT CAN HAPPEN

- A fire or explosion from gasoline can burn you, others and cause property damage.

#### HOW TO AVOID THE HAZARD

- Use a funnel and fill the fuel tank outdoors, in an open area, when the engine is cold. Wipe up any gasoline that spills.
- Do not fill the fuel tank completely full. Add gasoline to the fuel tank until the level is 1/4" to 1/2" ( 6 mm to 13mm ) below the bottom of the filler neck. This empty space in the tank allows gasoline to expand.
- Never smoke when handling gasoline, and stay away from an open flame or where gasoline fume may be ignited by a spark.
- Store gasoline in an approved container and keep it out of the reach of children.
- Never buy more than a 30-day supply of gasoline.

1. Do not smoke near fuel.
2. Mix and pour fuel outdoors and where there are no sparks or flames.



## **WARNING**

### **POTENTIAL HAZARD**

- Gasoline contains gasses that can build up pressure inside a gas tank.

### **WHAT CAN HAPPEN**

- Fuel can be sprayed on you when removing gas cap.

### **HOW TO AVOID THE HAZARD**

- Remove fuel cap slowly to avoid injury from fuel spray.

3. Always shut off the engine before refueling. Never remove the fuel tank cap while the engine is running or right after just stopping the engine.
4. Always open the fuel tank cap slowly to release any possible overpressure inside the tank.
5. Do not overfill the fuel tank. Stop filling 1/4-1/2 inch (6 mm-13 mm) from the top of the tank.
6. Tighten the tank fuel cap carefully but firmly after refilling.
7. Wipe up any spilled fuel before starting the engine.
8. Move the unit at least 10 feet (3 m) away from the fueling location and fuel storage container before starting the engine.

## **Recommended Oil Type**

Only use a two-cycle engine oil formulated for use in high performance, air cooled two cycle engines. MARUYAMA brand 2-cycle oil is formulated for use in high performance, air cooled two-cycle engines.

**IMPORTANT: Do not use National Marine Manufacturer's Association (NMMA) or BIA certified oils. This type of 2-cycle engine oil does not have the proper additives for air cooled, 2-cycle engines and can cause engine damage.**

**Do not use automotive motor oil. This type of oil does not have the proper additives for air cooled, 2-cycle engines and can cause engine damage.**

## **Recommended Fuel Type**

Use clean, fresh lead-free gasoline, including *oxygenated* or *reformulated* gasoline, with an octane rating of 89 or higher. To ensure freshness, purchase only the quantity of gasoline that can be used in 30 days. Use of lead-free gasoline results in fewer combustion chamber deposits and longer spark plug life. Use of premium grade fuel is not necessary or recommended.

## **Use Of Fuel Additives**

**IMPORTANT: NEVER USE ALCOHOL, GASOHOL CONTAINING MORE THAN 10% ALCOHOL BECAUSE ENGINE FUEL SYSTEM DAMAGE COULD RESULT.**

**DO NOT USE FUEL ADDITIVES OTHER THAN THOSE MANUFACTURED FOR FUEL STABILIZATION DURING STORAGE SUCH AS MARUYAMA'S STABILIZER/CONDITIONER OR A SIMILAR PRODUCT. MARUYAMA'S STABILIZER/CONDITIONER IS A PETROLEUM DISTILLATE BASED CONDITIONER/STABILIZER.**

**MARUYAMA DOES NOT RECOMMEND STABILIZERS WITH AN ALCOHOL BASE SUCH AS ETHANOL, METHANOL OR ISOPROPYL. ADDITIVES SHOULD NOT BE USED TO TRY TO ENHANCE THE POWER OR PERFORMANCE OF MACHINE.**

## **Mixing Gasoline And Oil**

**IMPORTANT: The engine used on this Pruner is of a 2-cycle design. The internal moving parts of the engine, i.e., crankshaft bearings, piston pin bearings and piston to cylinder wall contact surfaces, require oil mixed with the gasoline for lubrication.**

**Failure to add oil to the gasoline or failure to mix oil with the gasoline at the appropriate ratio will cause major engine damage which will void your warranty.**

**For your fuel premix, use Maruyama Premium 2-cycle Oil Mix, or equivalent ISO-L-EGD & JASO FD oil with a minimum 89 octane high Quality gasoline. Maruyama 2-cycle oil is specially formulated to meet the requirements of high-performance, low-emission air-cooled 2-cycle engines. Use of other oils may lead to service issues which may Not be covered by your warranty.**

## Fuel Mixture

The fuel: oil ratio is 50 parts gasoline to 1 part oil or 50:1.



**Note:** Never use a mixing ratio less than 50:1 regardless of the oil package mixing instructions. Ratios less than 50:1, (for example, 60:1, 80:1, 100:1), reduce the amount of lubrication to the internal moving parts of the engine and can cause damage.

## Fuel Mixture Chart

Gasoline	50:1 2-cycle oil
1 gallon	2.6 oz.
2 gallons	5.1 oz.
5 gallons	12.8 oz.
1 liter	20 ml
5 liter	100 ml

## Mixing Instructions

**IMPORTANT:** Never mix gasoline and oil directly in the Pruner fuel tank.

1. Always mix fuel and oil in a clean container approved for gasoline.
2. Mark the container to identify it as fuel mix for the Pruner.
3. Use regular unleaded gasoline and fill the container with half the required amount of gasoline.
4. Pour the correct amount of oil into the container then add the remaining amount of gasoline.
5. Close the container tightly and shake it momentarily to evenly mix the oil and the gasoline before filling the fuel tank on the Pruner.
6. When refilling the Pruner fuel tank, clean around the fuel tank cap to prevent dirt and debris from entering the tank during cap removal.

7. Always shake the premix fuel container momentarily before filling the fuel tank.
8. Always use a spout or funnel when fueling to reduce fuel spillage.
9. Fill the tank only to within 1/4-1/2 inch (6 mm-13 mm) from the top of the tank. Avoid filling to the top of the tank filler neck.

## Starting And Stopping

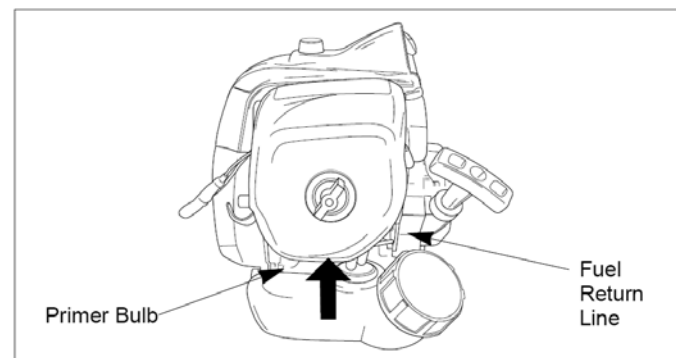
### Before Starting The Engine

1. Fill the fuel tank as instructed in the Before Operation section of this manual (page US-14).
2. Rest the Pruner on the ground.
3. Make sure the cutting attachment is clear of any broken glass, nails, wire, rocks or other debris.
4. Keep all bystanders, children and animals away from the working area.

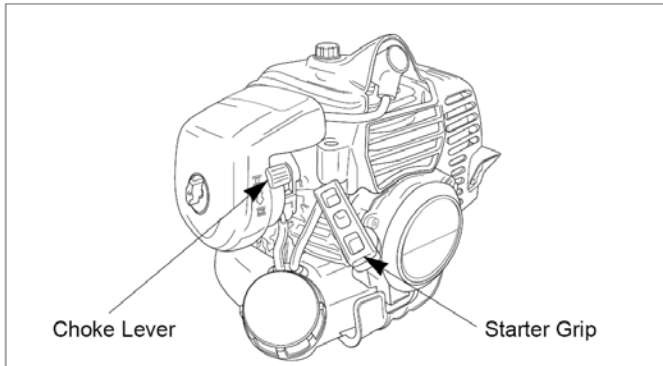
### Cold Starting Procedure

This Pruner is equipped with a fuel primer and a choke system. To start a “cold” engine properly, perform the following procedure:

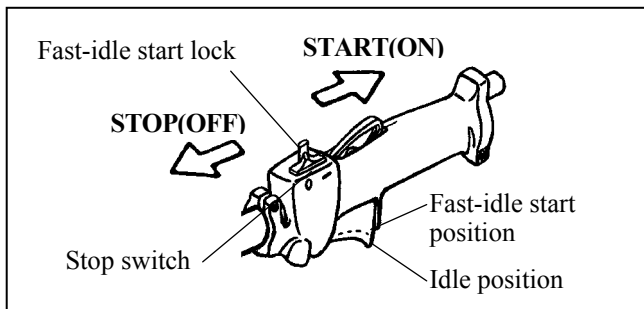
1. Pump the primer bulb at the bottom of the carburetor until fuel can be seen flowing through the fuel return line to the fuel tank. (Flowing fuel should be almost clear, not foamy or full of bubbles.)



2. Move the choke lever to the closed (|•|) position and move the stop switch to the “ON” position.



3. Lock the throttle trigger in the fast-idle start position, then pull the starter grip.



<p><b>⚠ CAUTION</b></p>
<p>• Do not pull the Starter rope all the way out.</p>
<p><b>⚠ WARNING</b></p>
<p>• Do not disassemble the Starter. Please ask for an authorized MARYAMA service dealer.</p>

4. After the engine starts, squeeze and release the throttle trigger to return it to the idle position, then move the choke lever to the open (||) position.

If the engine stops running before you move the choke lever to the open (||) position:

- A. Go ahead and open the choke.
- B. Make sure the throttle trigger is set to the idle position.
- C. Pull the starter grip until the engine starts.

### Hot Restart

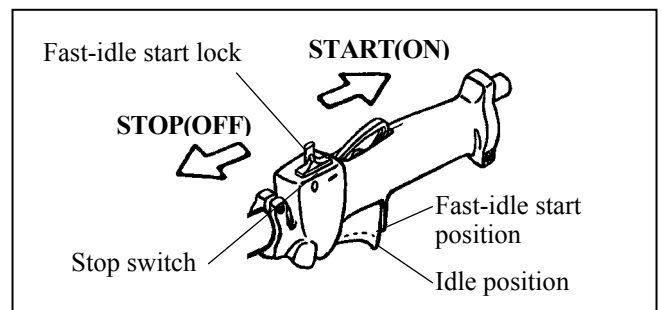
To start an engine that is already warmed up (hot restart), or if the ambient temperature exceeds 68°F (20°C):

1. Pump the primer bulb at the bottom of the carburetor until fuel can be seen flowing through the fuel return line to the fuel tank.
2. Move the choke lever to the open (||) position and move the stop switch to the “ON” position.
3. Leave the throttle trigger in the idle position and pull the starter grip.
4. If the engine fails to start after three to four pulls, follow the instruction in the Cold Starting Procedure section (page US-17).

If the engine fails to start after you follow the above procedures, contact an authorized Maruyama dealer.

### To Stop The Engine

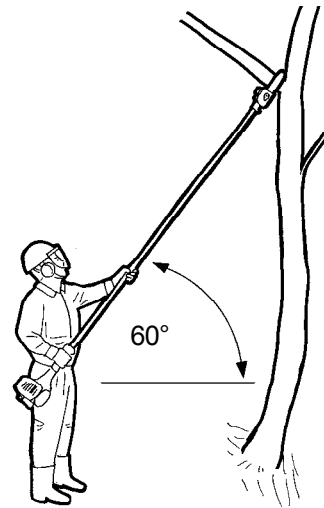
1. Release the throttle trigger.
2. Slide the stop switch to the “STOP” position.



# Operation

## **⚠ DANGER**

- Do not stand immediately below the branch that is to be cut. The branch may fall directly below and the branch may also bounce off other branches or the ground in an unexpected direction and cause injury to the worker.
- Do not allow anyone to enter within a 15 meter radius.
- The Pruner is not insulated to prevent electric shock. Keep it away from any power lines with at least 15 meters when working, as there is threat of electrocution.



## Working position

1. Choose a working position where the inclination of the pole remains at 60 degrees or less.
2. Start cutting from the lower branches first so that the branches will fall off easily when cut.
3. The cut branches may fall towards the worker, so be sure to select a location that enables a stable footing and provides an easy escape in the case of an emergency.

## **⚠ WARNING**

- **Wear a hat or helmet, protective glasses, gloves and ear plugs while working. Furthermore, wear a dust mask whenever a lot of pollen or chipping powder is expected, which may be harmful for the health.**

## Cutting wood

1. Turn the pruner on full throttle and press the saw chain lightly against the wood to cut.
2. The cutting capacity is reduced when the engine revolution is slowed down and the saw chain is pressed hard against the wood.

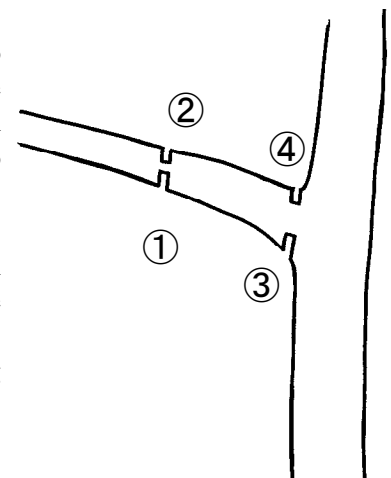
## IMPORTANT

- Pressing the saw chain hard against the wood not only tires the operator quicker but also quickens the wear of the saw chain and guide bar.
- If wood cannot be cut without pressing the saw chain hard against it, this indicates that the saw chain is becoming dull. In such cases, either sharpen the saw chain or replace it with a new chain.

## Pruning thick branches

Attempting to cut a thick branch in one go often results in the guide bar jamming in the branch or otherwise encountering difficulties in cutting. The method described below makes cutting thick branches easier:

1. First of all, cut a section slightly away and on the lower side of the desired area of the branch to be cut.
2. Then, start cutting from the upper side of the branch.
3. Thereafter, cut into the lower side where the desired area of branch is to be cut.
4. Finally, cut through from the upper side where the branch is to be cut, cutting the branch off.



## IMPORTANT

If the guide bar or saw chain jams into the branch, do not force it. Widen the cut using a wedge to remove the pruner and try cutting it again. Forcing the pruner may damage the main unit of the pruner and cause a malfunction of the pruner.

## Saw chain tension adjustments

### WARNING

- When using the pruner be sure to turn the engine off before making any inspections or any adjustments.
- Do not make any adjustments when the guide bar or saw chain is still hot immediately after using the pruner. Wait until it has cooled before making any adjustments.

1. Turn the nut on the chain cover once to loosen it.
2. Lift up the leading edge of the guide bar and turn the regulating screw to tighten the saw chain. Turning the screw clockwise tightens the saw chain, whereas turning it counterclockwise loosens the saw chain.
3. Securely tighten the nut on the chain cover.
4. Verify that the saw chain on the central section of the guide bar can be lifted with fingers 3 to 4 mm off the guide bar.

## Maintenance

Maintenance, replacement or repair of emission control devices and systems may be performed by any repair establishment or individual; however, warranty repairs must be performed by a dealer or service center authorized by Maruyama Manufacturing Company, Inc. The use of parts that are not equivalent in performance and durability to authorized parts may impair the effectiveness of the emission control system and may have a bearing on the outcome of a warranty claim.

Maintenance on today's low-emission engines is even more critical for longest life and best performance. particularly critical are air and fuel filters, spark plug heat range, cooling air intake area and proper gaps of coil and plug.

## Engine

### Idle Speed Adjustment

This Pruner is equipped with non-adjustable fuel mixture carburetor. The engine idle speed is the only adjustment for the operator.

### WARNING

#### POTENTIAL HAZARD

- Engine must be running to make carburetor adjustments.
- When engine is running, attached tool and other parts is rotating/ moving and other parts are moving.

#### WHAT CAN HAPPEN

- Contact with rotating / moving tool or other moving parts could cause serious personal injury or death.

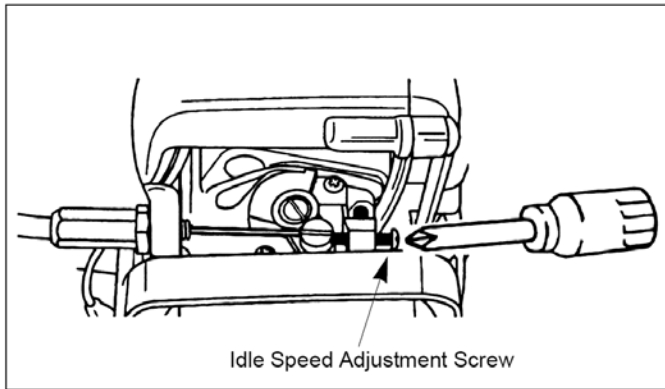
#### HOW TO AVOID THE HAZARD

- Keep hands, feet and clothing away from attached tool and other moving parts.
- Keep all bystanders and pets away from unit while making carburetor adjustments.

The Attached Tool may be rotating/ moving during idle speed adjustment. Wear the recommended personal protective equipment and observe all safety instructions. Keep hands and body away from the Attached Tool.

When the throttle trigger is released, the engine should return to an idle speed between 2700 and 3300 RPM, or just below the clutch engagement speed. The Attached Tool must not rotate/move and the engine should not stall (stop running) at engine idle speed.

To adjust the engine idle speed, rotate the idle speed adjustment screw on the carburetor.



- Turn the idle speed screw in (clockwise) to increase the engine idle speed.
- Turn the screw out (counterclockwise) to decrease the engine idle speed.

**If idle speed adjustment is necessary, and after adjustment the Attached Tool rotates/moves or the engine stalls, stop using the Pruner immediately!**

Contact your local authorized MARUYAMA Dealer for assistance and servicing.

## Air Filter

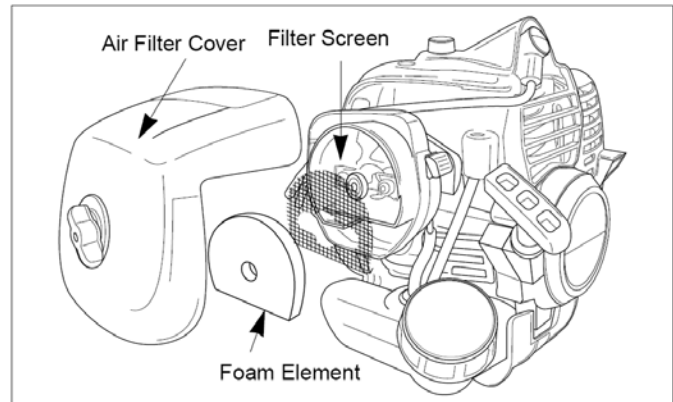
### Maintenance Interval

- The air filter should be cleaned daily, or more often when working in extremely dusty conditions.
- Replace after every 100 hours of operation.

## Air Filter Cleaning

1. Loosen the knob and remove the air filter cover.
2. Remove the foam element and filter screen from the air filter body.
3. Clean the foam element and filter screen with warm, soapy water. Let the screen and element dry completely.
4. Apply a light coat of SAE 30 motor oil to the foam element and squeeze out all excess oil.

5. Reassemble the filter screen, foam element and to the air filter cover.



## Fuel Filter

### Maintenance Interval

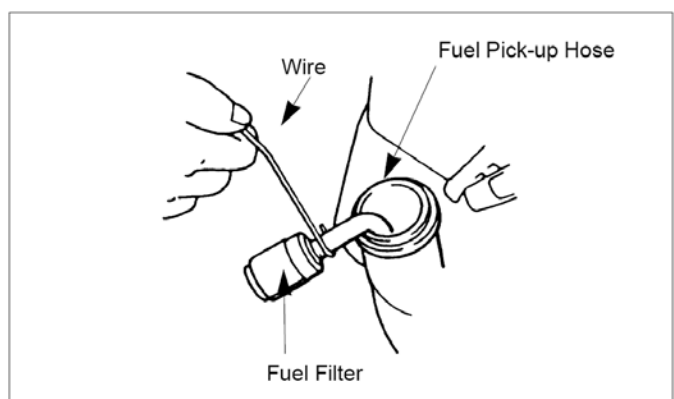
The fuel filter should be replaced after every 100 hours of operation.

Fuel filters needing more frequent replacement may indicate debris in fuel tank.

## Fuel Filter Replacement

The fuel filter is attached to the end of the fuel pick-up hose inside the fuel tank.

1. Make sure the fuel tank is empty.
2. Remove the fuel cap.
3. Using a wire hook, gently pull the fuel filter out through the fuel filler opening. Use caution not to "fishhook" the fuel tube. Replace immediately if punctured!



4. Grasp the fuel hose next to the fuel filter fitting and remove the filter, but do not release the hose.
5. While still holding on to the fuel hose, attach the new fuel filter.
6. Drop the new fuel filter back into the fuel tank.
7. Make sure that the fuel filter is not stuck in a corner of the tank, and that the fuel hose is not doubled over (kinked) before refueling.

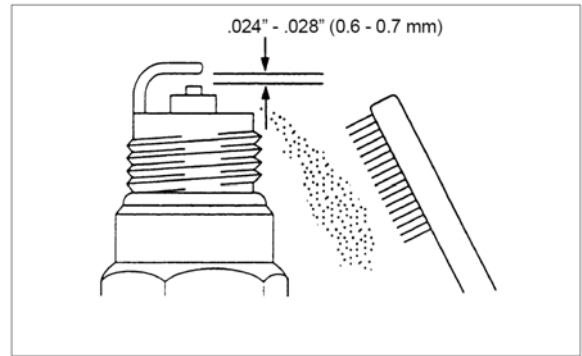
## Spark Plug

### Maintenance Interval

- The spark plug should be removed from the engine and checked after each 25 hours of operation.
- Replace the spark plug after every 100 hours of operation.

## Spark Plug Maintenance

1. Twist the high tension lead boot on the spark plug back and forth a couple of times to loosen the boot, then pull the boot off of the spark plug.
2. Remove the spark plug.
3. Clean the electrodes with a stiff brush.
4. Adjust the electrode air gap to .024-.028 in (0.6-0.7mm).
5. Replace the spark plug if it is oil-fouled, damaged, or if the electrodes are worn down.
6. Do not overtighten the spark plug when installing. The tightening torque is 95-148 in. lbs. (10.7-16.6 N·m).
7. Always use only the specific heat range of spark plug. This is particularly critical with today's lowemission engines. For best results, use the exact replacement.



## Cylinder Cooling Fins

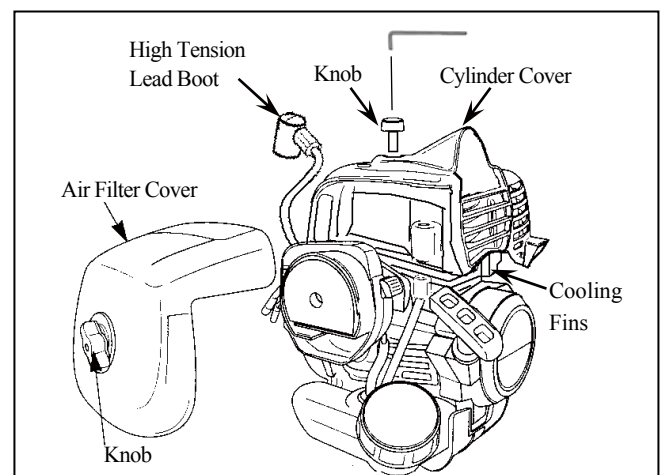
### Maintenance Interval

The cylinder cooling fins should be cleaned after every 25 hours of operation, or once a week, whichever comes first.

Air must flow freely around and through the cylinder cooling fins to prevent engine overheating. Leaves, grass, dirt and debris buildup on the fins will increase the operating temperature of the engine, which can reduce engine performance and shorten engine life.

## Cooling Fin Cleaning

1. With the engine at ambient (room) temperature, loosen the knob and remove the air filter cover.
2. Twist the high tension lead boot on the spark plug back and forth a couple of times to loosen the boot, then pull the boot off of the spark plug.
3. Loosen the knob and lift off the cylinder cover.
4. Clean all dirt and debris from the cooling fins and from around the cylinder base.



- DO NOT overlook cleaning of the cooling air intake area below the crankcase and above the fuel tank! This area must be free of debris and obstruction for the engine to cool properly.
- Reinstall the fan cover and the filter cover.

## Spark Arrester

### **⚠ WARNING**

- POTENTIAL HAZARD**
- Muffler surface becomes hot when the Pruner is in operation and remains hot for some time after the engine is shut off.**

#### **WHAT CAN HAPPEN**

- Contact with hot muffler surfaces could cause a burn.**

#### **HOW TO AVOID THE HAZARD**

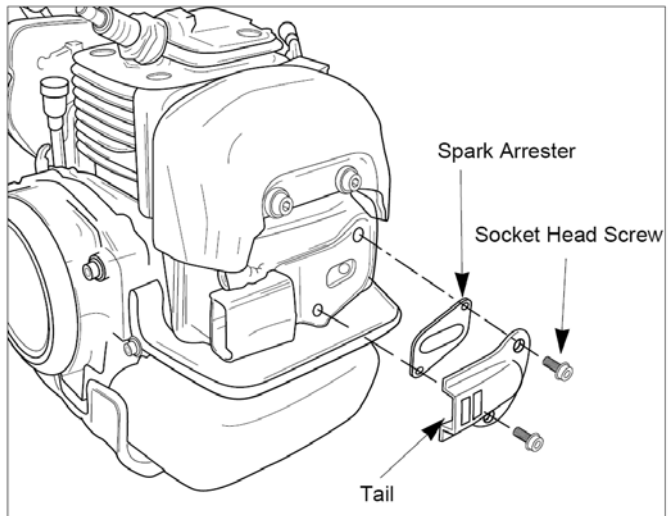
- Make sure the muffler is cool before inspecting and cleaning the spark arrester.**

## Maintenance Interval

- The spark arrester should be inspected and cleaned after every 25 hours of use.
- Replace the screen if it cannot be thoroughly cleaned, or if it is damaged.

## Spark Arrester Maintenance

- With the engine at ambient (room) temperature, loosen the knob and remove the air filter cover.
- Twist the high tension lead boot on the spark plug back and forth a couple of times to loosen the boot, then pull the boot off of the spark plug.
- Loosen the knob and lift off the cylinder cover.
- Remove and clean the tail, gasket and spark arrester with a safety solvent and a stiff brush. If any part cannot be thoroughly cleaned, it must be replaced.



- Reinstall the spark arrester and tail onto the muffler, then reinstall and tighten the two socket headscrews.
- Reinstall the cylinder cover and the air filter cover.

## Exhaust Muffler

### **Maintenance Interval**

The muffler should be inspected and cleaned after each 100 hours of use.

### **Muffler Maintenance**

- With the engine at ambient (room) temperature, loosen the knob and remove the air cleaner cover.
- Twist the high tension lead boot on the spark plug back and forth a couple of times to loosen the boot, then pull the boot off of the spark plug.
- Loosen the knob and lift off the cylinder cover.
- Remove the spark arrester (see spark arrester maintenance), Clean the muffler with a stiff brush.

### **IMPORTANT**

**Don't use solvent for cleaning inside of muffler, because of the catalytic converter in muffler.**

**Be careful not to allow any dirt or debris to fall into the exhaust port, as this can cause engine damage.**

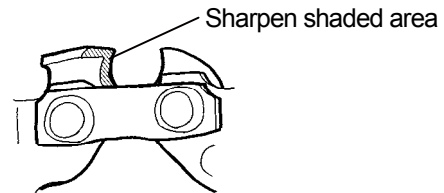
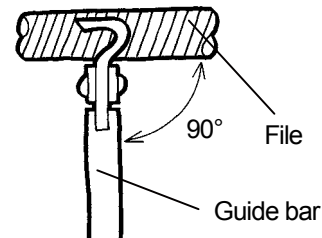
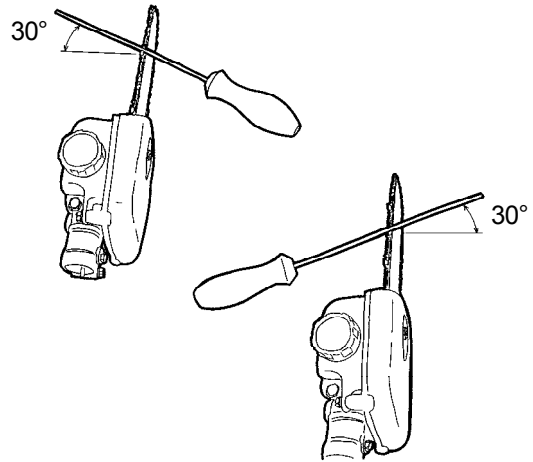


- Reinstall the spark arrester and tail onto muffler, then reinstall and tighten the two socket head screws.
- Reinstall the cylinder cover and the air filter cover.

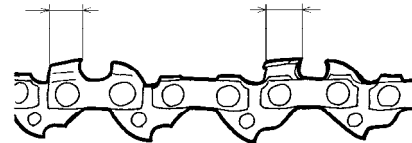
## Sharpening saw chain

Whenever wood chips become small and fine or the wood cannot be cut without pressing the pruner hard against it, then it may be necessary to sharpen the saw chain.

- Tighten the saw chain slightly firmer than usual then secure the pruner's main unit.
- Place a file with a 4.0 mm (5/32 inch) diameter against the cutter and extend 1/5 of it beyond the cutter.
- Press the file against the cutter at its base in a 30-degree angle from the vertical line and move the file straight ahead from the inner side to the outer side of the cutter.
- Shift the file so that it remains in a 90-degree angle against the guide bar.
- Once one side of the cutter is sharpened, sharpen the other side of the cutter. Be sure to keep the length and angle uniform throughout.



Maintain uniform lengths of cutters



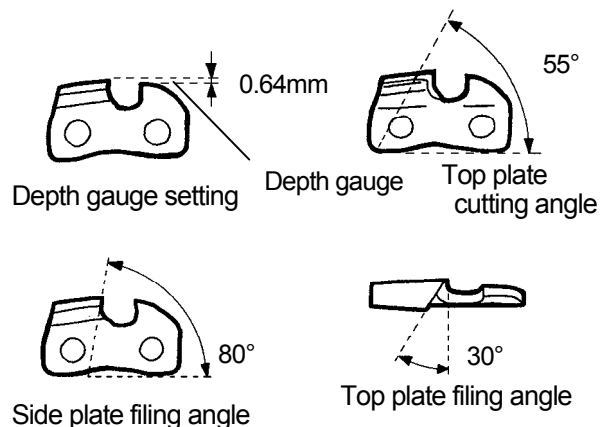
### IMPORTANT

- The efficiency of this work greatly impacts the sharpness of the cutter. It is recommended that sharpening be performed often.
- Be sure to use an appropriate file for sharpening the saw chain cutters.

## Adjusting depth gauge

The depth gauge determines how deep the cutter cuts into the wood.

- When the cutter lengths become shorter due to sharpening, the depth gauge must also be cut back.



Cutter Maintenance Specifications

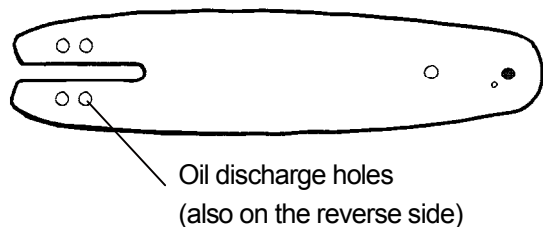
2. Cut down the depth gauge using a flat file in a way that the depth gauge is positioned 0.64 mm (0.025 inch) lower than the leading edge of the cutter.
3. Once cut back, grind the tip of the depth gauge round.

### IMPORTANT

Be sure that the depth gauge is not cut back too far, as doing so will result in a faster deterioration of the cutter.

### Guide bar care

1. When work using the pruner is finished for the day, remove the guide bar and saw chain from the pruner.
2. Remove any wood chips or other particles attached to the groove of the guide bar or in the oil hole. Be particularly certain that no particles are clogging the oil hole.
3. Remove wood chips and other particles around the oil discharge hole and around the sprocket on the main unit of the pruner.



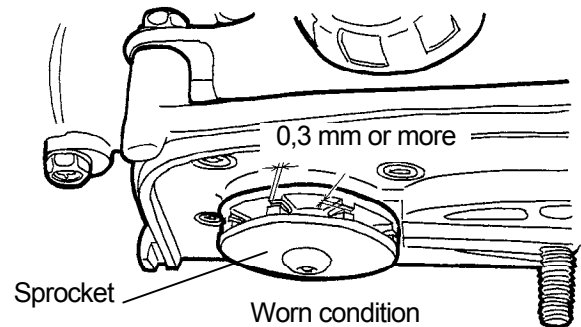
### IMPORTANT

- When installing the guide bar, occasionally switch it to the top and bottom to prevent uneven wear and to extend the life of the guide bar.
- If the oil discharge hole becomes clogged by wood chips or other particles the pruner could seize up.

### Inspection of sprocket

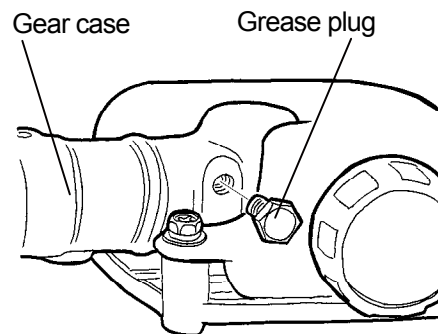
1. Inspect the sprocket to ensure that the screw is not loose or that it is not worn out.

2. If the sprocket is worn by 0.3 mm or more, as shown in the diagram below, replace the sprocket. Continuing to use the pruner with the sprocket in such a condition will shorten the life of the saw chain.



### Gear case

1. Remove the gear case from the shaft assembly.
2. Remove the grease plug and prepare some lithium-type grease.
3. Inject enough grease (about 10g) so that some of it spills out through the spline hole, to which the drive shaft is inserted.



### General Cleaning and Tightening

The Pruner will provide maximum performance for many, many hours if it is maintained properly.

## **⚠ WARNING**

### **POTENTIAL HAZARD**

- **When engine is running, Attached Tool is rotating/ moving and other parts are moving.**

### **WHAT CAN HAPPEN**

- **Contact with rotating/moving Tool or other moving parts could cause serious personal injury or death.**

### **HOW TO AVOID THE HAZARD**

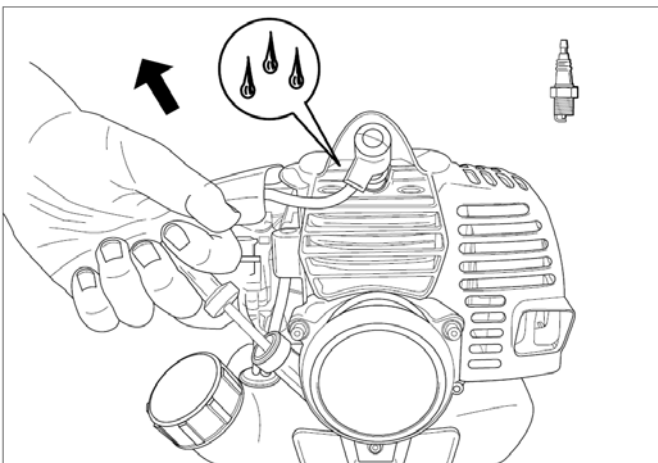
- **Always turn off your Pruner before you clean or**

Good maintenance includes regular checking of all fasteners for correct tightness and cleaning the entire machine.

## **Storage**

For long term storage of the Pruner:

1. Empty the fuel tank into a suitable fuel storage container.
2. Pump the primer bulb on the carburetor until all fuel is discharged through the clear fuel return hose.
3. Run the engine to remove any fuel that may remain in the carburetor.
4. Perform all regular maintenance procedures and any needed repairs.
5. Remove the spark plug and squirt a very small amount of oil into the cylinder.



## **⚠ CAUTION**

### **POTENTIAL HAZARD**

- **Oil may squirt out of the spark plug opening when you pull the starter grip.**

### **WHAT CAN HAPPEN**

- **Oil can cause eye injuries.**

### **HOW TO AVOID THE HAZARD**

- **Protect your eyes and keep your face away from the spark plug opening.**

6. Pull the starter grip once.
7. Slowly pull the starter grip to bring the piston to the top of the cylinder (TDC).
8. Reinstall the spark plug.
9. Store the Pruner in a dry place away from excessive heat, sparks or open flame.

# Troubleshooting

Problem	Cause	Action
Engine Will Not Start	STOP switch set to off position Empty fuel tank Primer bulb wasn't pushed enough Engine flooded	Move switch to on position Fill fuel tank Press primer bulb until fuel flows through fuel return line Use warm engine starting procedure
Engine Will Not Idle	Idle speed set incorrectly	Set idle speed
Engine Lacks Power or Stall When Cutting	Throttle wire has come loose Dirty air filter Clogged spark arrester or exhaust port	Tighten throttle wire Clean or replace air filter Clean spark arrester or exhaust port

## Maintenance Period

Maintenance	Daily	Every 20 hours	Every 50 hours	Every 100 hours
Check and replenish fuel	●			
Check for fuel leakage	●			
Check bolts, nuts and screws for tightness or missing	●			
Check engine idle speed adjustment	●			
■ Clean air filter element	●			
Tighten bolts and nuts			●	
Clean spark plug and adjust electrode gap		●		
■ Remove dust and dirt from cylinder fins		●		
● Remove carbon deposits in exhaust port			●	
● Clean spark arrester		●		
Replace fuel filter				●
● Remove carbon deposits on piston head and combustion chamber				●
● Remove carbon deposits in transfer ports				●
Replace fuel tube, fuel tank cap gasket	It is recommended to replace every 3 years			

●: Service to be performed by an authorized Maruyama engine dealer.

■: Service more frequently under dusty conditions.

### NOTE:

The service intervals indicated are to be used as a guide.

Service to be performed more frequently as necessary depending on operating condition.

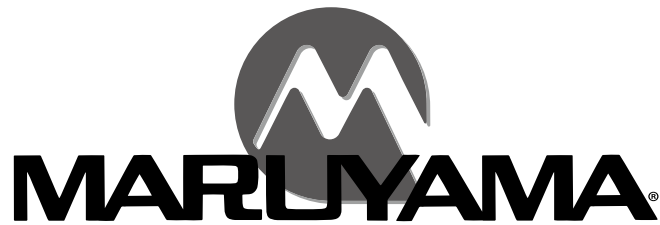
Use Maruyama standard 50:1 two-cycle engine oil.

# Specifications

	<b>P23</b>
Weight (lbs)	* <sup>1</sup> 11.9 (5.4kg)
Engine Displacement (cm <sup>3</sup> )	22.5
Anti Vibration	Dual Isolation - grip and engine mount
Carburetor	Walbro Diaphragm Type
Ignition System	Solid State
Fuel Tank Capacity (qts.)	0.53 (0.5ℓ)
Gas to Oil Ratio	50:1
Spark Plug	NGK BPM8Y
Spark Plug Gap (in.)	.024 -.028 (0.6 - 0.7 mm)
EPA and CARB Approved	Phase3, Tier 3

**Emission durability of 300 hours.**

\*1. Dry weight without fuel, Chain, Bar and Strap.



## Declaración de garantía limitada

Se garantiza al comprador inicial que todos los productos comerciales e industriales de Maruyama están libres de defectos de fabricación y en materiales **a partir de la fecha de compra** durante el período de tiempo siguiente:

**Durante toda la vida** para el eje motor interno de los cortasetos y desbrozadoras y para todos los módulos de encendido.

**3 años** para uso residencial, doméstico, no retribuido.

**1 año** para uso industrial, comercial, público, de alquiler y retribuido.

Los motores Maruyama de la serie AE y Kawasaki TEX45/TEX54 están cubiertos exclusivamente durante un año más para el uso industrial, comercial, público, de alquiler y retribuido (un total de 2 años).

Para todos los demás motores, consulte la declaración de garantía del fabricante del motor.

Cualquier pieza de un producto Maruyama que resulte ser defectuosa dentro del período de garantía aplicable será reparada o sustituida sin coste alguno, a elección de Maruyama. La valoración de la garantía se consigue entregando cualquier producto Maruyama que se crea defectuoso al Servicio técnico de un distribuidor autorizado de Maruyama dentro del período de garantía aplicable.

No se cobrará al comprador por la tarea de diagnóstico que determine que una pieza en garantía es defectuosa, si se realiza en un centro de distribución de Maruyama.

Cualquier pieza en garantía cuyo cambio no esté programado como mantenimiento necesario, o que esté programada sólo para revisión ordinaria con vistas a su "reparación o cambio según sea necesario" estará cubierta durante el período de garantía. Cualquier pieza en garantía, cuyo cambio esté programado dentro del mantenimiento necesario, estará cubierta hasta el primer cambio programado que le corresponda. Maruyama Mfg Co., Inc. es responsable de los daños ocasionados a otros componentes del motor por el fallo de una pieza que aún esté en garantía. El comprador es responsable de realizar las tareas de mantenimiento necesarias tal y cómo se definen en el manual del propietario/operario de Maruyama Mfg Co., Inc.

**GARANTÍA DE PIEZAS RELACIONADAS CON LAS EMISIONES:** Además de la cobertura de la garantía mencionada, Maruyama Mfg Co., Inc. reparará o cambiará, gratuitamente, para el comprador inicial y cada comprador posterior, cualquier pieza relacionada con las emisiones con defectos de fabricación y en los materiales durante dos (2) años a partir de la fecha de entrega del minorista inicial, **salvo el conversor catalítico. El conversor catalítico está cubierto por la garantía durante un año a partir de la fecha de entrega del minorista inicial. Las piezas relacionadas con las emisiones son el carburador, la bobina de encendido, el rotor de encendido y la bujía, y el conversor catalítico.** Puede utilizarse cualquier pieza de repuesto equivalente en rendimiento y durabilidad en el mantenimiento o reparaciones no cubiertas por la garantía, y no reducirá las obligaciones de Maruyama Mfg. Co., Inc. derivadas de la garantía.

**Esta garantía no cubre:**

1. Elementos de mantenimiento (excluidos los defectos en materiales y fabricación) que incluyen tubos flexibles, bujías, cuerda del arrancador, filtros de aire y de combustible, zapatas del embrague, aislantes, cables del acelerador y todos los accesorios de corte, etc.
2. Gastos adicionales que incluyen el envío y gestión, traslado, pago por el tiempo perdido o por cualquier problema y almacenamiento.
3. Alteraciones o modificaciones que incluyen piezas de repuesto no originales, no homologadas por Maruyama U.S., Inc.
4. Desgaste, accidente, uso indebido, negligencia; combustibles, lubricantes, mezclas de combustible (cuando sea aplicable) incorrectos o el uso o mantenimiento del producto contrarios a las instrucciones aprobadas por Maruyama.

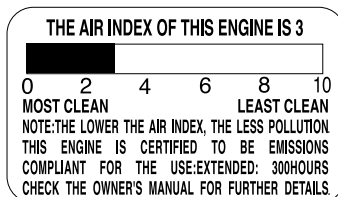
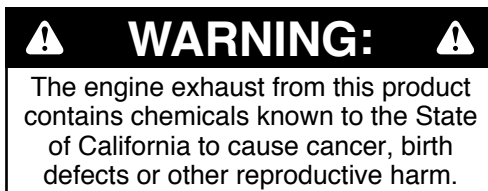
La reparación o cambio según lo estipulado en la presente garantía es la única solución del usuario. Maruyama no se hará responsable de ningún daño fortuito o consecuencial del incumplimiento de cualquier garantía expresa o implícita de estos productos salvo hasta el límite estipulado por la legislación aplicable. Cualquier garantía implícita de comerciabilidad o idoneidad para un fin particular de estos productos se restringe al período de garantía tal y cómo se define en la declaración de garantía limitada. Maruyama se reserva el derecho a modificar o mejorar el diseño del producto sin previo aviso y no asume ninguna obligación de actualizar los productos previamente fabricados.

Esta garantía le ofrece derechos legales específicos, que pueden variar de un Estado a otro.

El propietario y el distribuidor se responsabilizarán de que la Tarjeta de registro de garantía sea correctamente cumplimentada y enviada a Maruyama U.S., Inc. Para obtener el servicio de garantía se solicitará una prueba de compra o registro.

Para encontrar al distribuidor autorizado de Maruyama más cercano, contacte con:

**Maruyama U.S., Inc.**  
**4770 Mercantile Drive, suite100,**  
**Fort Worth, TX 76137 U.S.A**  
**(940) 383-7400**  
**maruyama@maruyama-us.com**  
**www.maruyama-us.com**



**P23-10**

## **DECLARACIÓN DE GARANTÍA DEL CONTROL FEDERAL DE EMISIONES. DERECHOS Y OBLIGACIONES DERIVADOS DE LA GARANTÍA**

La Agencia para la protección ambiental de EE.UU. (EPA) y Maruyama Manufacturing Company, Inc. se complacen en explicar la **garantía del sistema de control de emisiones** de su pequeño motor no destinado a la automoción. Los nuevos modelos de motor pequeño de 1997 y posteriores, no destinados a la automoción, deben estar diseñados, fabricados y equipados, en el momento de venta, para cumplir las normas de la EPA de EE.UU. El motor debe estar libre de defectos en los materiales y de fabricación que provoquen el incumplimiento de las normas de la EPA durante los dos primeros años de uso del motor a partir de la fecha de venta inicial hasta el último comprador. Maruyama Manufacturing Company, Inc. ha de garantizar el sistema de control de las emisiones en el pequeño motor durante el período anteriormente citado siempre y cuando no haya ningún uso indebido, negligencia o mantenimiento incorrecto del mismo.

### **Período de durabilidad de emisiones: 300 horas.**

Su sistema de control de emisiones puede incluir piezas como el carburador o el sistema de inyección de combustible, el sistema de encendido y el convertidor catalítico. También puede incluir tubos flexibles, correas y conectores y otros sistemas relacionados con las emisiones.

Cuando exista una condición cubierta por la garantía, Maruyama Manufacturing Company, Inc. reparará gratuitamente el pequeño motor no destinado a la automoción, incluido el diagnóstico (si se realiza en un centro de distribución autorizado), piezas y mano de obra.

### **COBERTURA DE LA GARANTÍA DEL FABRICANTE:**

Los modelos de motor pequeño de 1997 y posteriores, no destinados a la automoción, están garantizados durante dos años. Si cualquier pieza de su motor relacionada con las emisiones es defectuosa, Maruyama Manufacturing Company, Inc. la reparará o cambiará gratuitamente.

### **RESPONSABILIDADES DEL PROPIETARIO DERIVADAS DE LA GARANTÍA:**

- (a) Como propietario del motor arriba mencionado, usted es responsable de realizar las tareas de mantenimiento necesarias enumeradas en el manual de propietario. Maruyama Manufacturing Company, Inc. recomienda conservar todos los recibos del mantenimiento del motor, pero no puede negar la aplicación de la garantía sólo porque usted carezca de recibos o no asegure la ejecución de todas las tareas de mantenimiento programadas. Se permite el uso de cualquier pieza de repuesto o mantenimiento equivalente en prestación y durabilidad en el mantenimiento o reparaciones no cubiertas por la garantía, no reduciendo este hecho las obligaciones del fabricante del motor derivadas de la garantía.



- (b) Como propietario, debería saber, sin embargo, que Maruyama Manufacturing Company puede negarle la cobertura de la garantía si el motor o la pieza no funcionan por el uso indebido, negligencia, mantenimiento incorrecto o modificaciones no autorizadas.
- (c) Usted es responsable de llevar el motor a un centro de asistencia de Maruyama Manufacturing Company, Inc. tan pronto como exista un problema. Las reparaciones cubiertas por la garantía deberían completarse en un período de tiempo razonable, no superior a 30 días.

Si tiene preguntas relacionadas con los derechos y responsabilidades derivadas de la garantía, contacte con Maruyama U.S., Inc. en el número: **1-866-783-7400**.

## **COBERTURA**

Maruyama Manufacturing Company, Inc. garantiza al comprador último y a cada comprador posterior que el pequeño motor no destinado a la automoción estará diseñado, fabricado y equipado, en el momento de venta, para cumplir con toda la normativa aplicable. Maruyama Manufacturing Company, Inc. también garantiza al comprador inicial y a cada comprador posterior que el motor está libre de defectos de fabricación y en los materiales, que le impidan cumplir las normas aplicables durante un período de dos años.

La Agencia de protección ambiental (EPA) obliga a los fabricantes de este tipo de motores a cumplir la normativa durante dos años. Estos períodos de garantía se iniciarán en la fecha en que el comprador inicial adquiera el pequeño motor no destinado a la automoción. Si cualquier pieza del motor relacionada con las emisiones es defectuosa, Maruyama Manufacturing Company, Inc. la cambiará gratuitamente.

Maruyama Manufacturing Company, Inc. resolverá los defectos cubiertos por la garantía en cualquier centro de garantía o de distribución de motores de Maruyama Manufacturing Company, Inc. autorizado. Cualquier tarea autorizada realizada en un centro de garantía o de distribución autorizado será gratuita si determina que una pieza en garantía es defectuosa. Para cualquier tarea de mantenimiento o reparación de piezas relacionadas con las emisiones, cubierta por la garantía puede utilizarse cualquier pieza de repuesto homologada por el fabricante o equivalente, y debe realizarse gratuitamente si la pieza aún está en garantía. Maruyama Manufacturing Company, Inc. es responsable de los daños ocasionados a otros componentes del motor por el fallo de una pieza en garantía.

EPA estima que las piezas garantizadas relacionadas con las emisiones incluyen todas las que figuran a continuación. Piezas garantizadas: el carburador, la bobina de encendido, el rotor de encendido, la bujía, el convertidor catalítico y el depósito de combustible.

## **MANTENIMIENTO NECESARIO**

El propietario es responsable de realizar las tareas de mantenimiento necesarias tal y cómo se definen en el manual del propietario de Maruyama Manufacturing Company, Inc.

## **LIMITACIONES**

Esta Garantía del sistema de control de emisiones no cubrirá lo siguiente:

- (a) ninguna reparación o cambio necesarios por el uso indebido o negligencia, falta de mantenimiento requerido, reparaciones incorrectamente realizadas o cambios que no cumplan las especificaciones de Maruyama Manufacturing Company, Inc. que repercutan adversamente en el rendimiento o durabilidad, y alteraciones o modificaciones no recomendadas o aprobadas por escrito por Maruyama Manufacturing Company, Inc., y
- (b) ningún cambio de piezas y otros servicios y ajustes necesarios para el mantenimiento requerido en y después del primer cambio programado.

# DECLARACIÓN DE GARANTÍA DEL CONTROL DE EMISIONES DE CALIFORNIA. DERECHOS Y OBLIGACIONES DERIVADOS DE LA GARANTÍA

La Junta de Recursos del Aire de California (CARB), y Maruyama Manufacturing Company, Inc. se complacen en explicar la garantía del sistema de control de emisiones de su pequeño motor, modelo 2013, no destinado a la automoción. En California, los nuevos pequeños motores no destinados a la automoción deben estar diseñados, fabricados y equipados para cumplir con la estricta normativa anti humos del Estado. Maruyama Manufacturing Company, Inc. ha de garantizar el sistema de control de las emisiones en el pequeño motor durante el período anteriormente citado siempre y cuando no haya ningún uso indebido, negligencia o mantenimiento incorrecto del mismo.

Su sistema de control de emisiones puede incluir piezas como el carburador o el sistema de inyección de combustible, el sistema de encendido, depósito de combustible y el convertor catalítico. También puede incluir tubos flexibles, correas y conectores y otros sistemas relacionados con las emisiones.

Cuando exista una condición cubierta por la garantía, Maruyama Manufacturing Company, Inc. reparará gratuitamente el pequeño motor no destinado a la automoción, incluido el diagnóstico, piezas y mano de obra.

## **COBERTURA DE LA GARANTÍA DEL FABRICANTE:**

Los pequeños motores de 1995 y posteriores, no destinados a la automoción, están garantizados durante dos años. Si cualquier pieza de su motor relacionada con las emisiones es defectuosa, Maruyama Manufacturing Company, Inc. la reparará o cambiará gratuitamente.

## **RESPONSABILIDADES DEL PROPIETARIO DERIVADAS DE LA GARANTÍA:**

- (a) Como propietario del motor arriba mencionado, usted es responsable de realizar las tareas de mantenimiento necesarias enumeradas en el manual de propietario. Maruyama Manufacturing Company, Inc. recomienda conservar todos los recibos del mantenimiento del motor, pero no puede negar la aplicación de la garantía sólo porque usted carezca de recibos o no asegure la ejecución de todas las tareas de mantenimiento programadas.
- (b) Como propietario, debería saber, sin embargo, que Maruyama Manufacturing Company puede negarle la cobertura de la garantía si el motor o la pieza no funcionan por el uso indebido, negligencia, mantenimiento incorrecto o modificaciones no autorizadas.
- (c) Usted es responsable de llevar el motor a un centro de asistencia de Maruyama Manufacturing Company, Inc. tan pronto como exista un problema. Las reparaciones cubiertas por la garantía deberían completarse en un período de tiempo razonable, no superior a 30 días.

Si tiene preguntas relacionadas con los derechos y responsabilidades derivadas de la garantía, contacte con Maruyama U.S., Inc. en el número: **1-866-783-7400**.

## **Piezas del sistema de emisiones**

**Emisión de escape**

**Carburador**

**Silenciador**

**Convertor catalítico**

**Bobina de encendido/ Magneto**

**Bujía**

**Filtro de aire**

**Válvula EGR (pistón)**

**Filtro de combustible Fuel Filter**

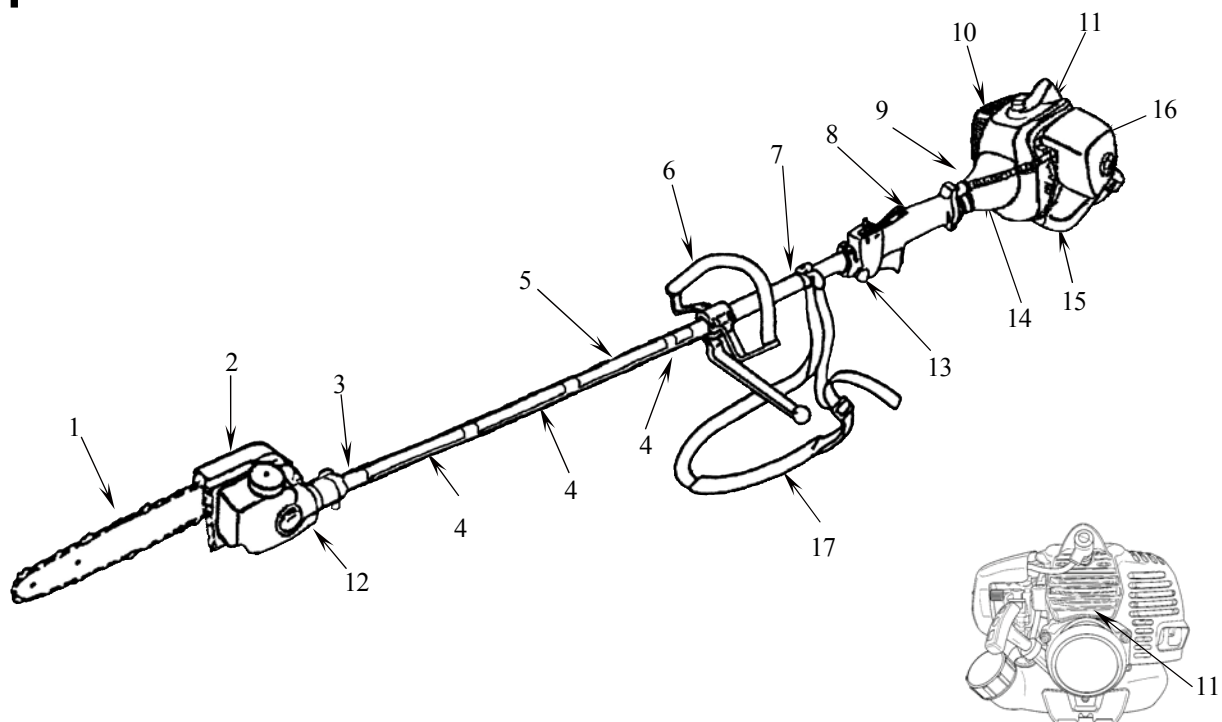
**Emisión de evaporación**

**Depósito de combustible**

# Contenido

	<b>Page ES-</b>		<b>Page ES-</b>
Declaración de garantía limitada .....	1	Mezcla de Gasolina y Aceite .....	16
Control Federal de Emisiones .....	3	Arranque y Parada .....	17
Control de Emisiones de California.....	5	Antes de Arrancar el Motor .....	17
Contenido .....	6	Procedimiento para el Arranque en Frio.....	17
Descripción del Producto.....	7	Uso .....	19
Introducción .....	7	Mantenimiento .....	20
Seguridad .....	8	Motor .....	20
Seguridad del operador.....	8	Ajuste de la Velocidad del Ralentí .....	20
Seguridad de la Podadora con accesorios.....	9	Filtro del Aire .....	21
Seguridad del combustible .....	9	Filtro del Combustible.....	21
Seguridad al utilizar la Podadora.....	10	Bujía .....	22
Símbolo explicación .....	11	Aletas del cilindro de refrigeración .....	22
Montaje .....	12	Matachispas .....	23
Montaje del motor yel eje dirreccional de		Silenciador de escape .....	23
ensamblaje .....	12	Cómo afilar la cadena.....	24
Instalación del manijar en forma .....	12	Cómo ajustar el calibrador de profundidad ....	24
Conexión del cables del interruptor de parada ...	12	Inspección de la rueda dentada.....	25
Instalación de la espada y de la cadena de la		Cárter .....	25
motosierra .....	13	El general limpiando y apretándose .....	26
Montaje del eje y el codo engranajesPrimeros		Almacenaje .....	26
pasos .....	14	Problemas.....	27
Aceite de la cadena .....	14	Período de mantenimiento .....	27
Aceite y Combustible .....	15	Especificaciones.....	28
Tipo de Aceite Recomendado.....	16		
Tipo de combustible recomendado.....	16		
Uso de aditivos de combustible .....	16		

# Descripción del Producto



1. Cadena y espada
2. Cabezal de podadora
3. Eje
4. Símbolos para la Seguridad
5. Nombre del Modelo
6. Empuñadura circular
7. Anillo de Sujeción para la Cinta para el Hombro
8. Empuñadura del eje
9. Cárter del tambor del embrague

10. Motor
11. Número de serie (en parte trasera del motor)
12. Caja de engranajes
13. Gatillo del acelerador e interruptor "Stop"
14. Cables del acelerador y del interruptor "Stop"
15. Depósito de combustible
16. Filtro de aire
17. Cinta para el Hombro

# Introducción

Gracias por su compra de un producto Maruyama. Maruyama, sus distribuidores y concesionarios desean que usted esté completamente satisfecho con su nuevo producto. No dude en contactar a su distribuidor de servicio autorizado para obtener asistencia en el servicio, partes genuinas de Maruyama u otra información que usted pueda requerir.

Cada vez que usted contacte a su distribuidor de servicio autorizado o la fábrica, siempre tenga disponible el número de serie de su producto. Este número ayudará al distribuidor de servicio o al representante de servicio para proveer la información exacta sobre su producto específico. Usted encontrará el modelo y el número de serie localizado en un lugar único en el producto (Descripción del producto en la página ES-2).

Para su conveniencia, escriba el nombre de modelo del producto y el número de serie en el espacio de abajo.

<b>Nombre del modelo</b> _____
<b>Nº de serie</b> _____

Lea cuidadosamente este manual para aprender sobre la manera de operar y efectuar el mantenimiento del producto correctamente. Leer este manual le ayudará a usted y a otros a evitar lesiones personales y daños al producto.

Aunque Maruyama diseña, produce y comercializa productos seguros y de la más reciente tecnología, usted será el responsable por usarlos de la manera apropiada y segura. Usted también será responsable por la capacitación de las personas a las que usted permita usar el producto para la operación segura.

El sistema de advertencia de Maruyama en este manual identifica los peligros potenciales y tiene mensajes de seguridad especiales que le asistirán a usted y a otros en evitar lesiones personales, o incluso la muerte. PELIGRO, ADVERTENCIA y PRECAUCIÓN son las palabras de señalización usadas para identificar el nivel del peligro. Sin embargo, independientemente del peligro, sea extremadamente cuidadoso.

Las señales **PELIGRO** indican un peligro extremo, que causará lesiones serias o la muerte si las precauciones recomendadas no se siguen.

Las señales **ADVERTENCIA** indican un peligro que puede causar lesiones serias o la muerte si las precauciones recomendadas no se siguen.

Las señales **CUIDADO** indican un peligro que puede causar lesiones menores o moderadas si las precauciones recomendadas no se siguen. También se usan otras palabras para destacar la información.

"Importante" llama la atención sobre información mecánica especial y "Nota" enfatiza la información general que merezca atención especial.

## Seguridad

### Seguridad del operador

1. Lea y comprenda este manual del operador antes de usar el producto. Familiaríces completamente con el uso apropiado de este producto.
2. Nunca permita que los niños operen la Podadora. Ésto no es un juguete. Nunca permita que los adultos operen la unidad sin leer primero el manual del operador.
3. Siempre use una protección ocular que cumpla con ANSI (Instituto de Estándares Nacionales Americanos) Z87-1



4. Siempre use protección auditiva.



5. Siempre use pantalones largos, pesados, camisa de manga larga, botas y guantes. No use ropa suelta, joyas, pantalones cortos, sandalias ni ande descalzo. Tómese el cabello de manera que no pase la longitud de los hombros.
6. Nunca opere esta Podadora cuando esté cansado, enfermo o bajo la influencia del alcohol, las drogas o medicinas.

7. Nunca arranque ni opere el motor dentro de una sala o edificio cerrado. Respirar los humos del escape puede causar la muerte.



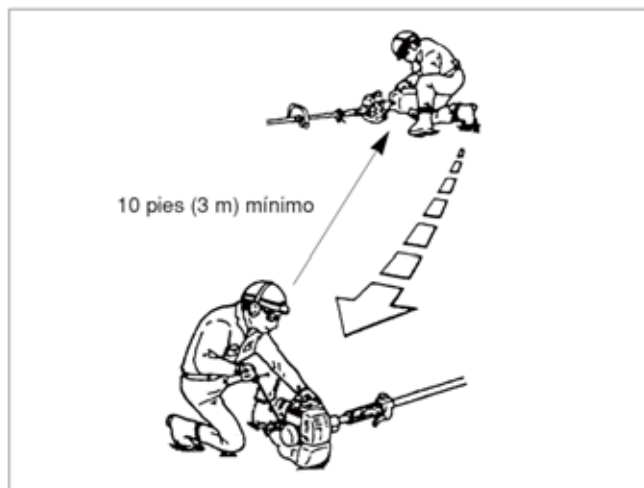
8. Mantenga las manijas limpias de aceite, combustible y suciedad.

## Seguridad de la Podadora con accesorios

1. Asegúrese de que la unidad esté correctamente montada y las cadena y espada correctamente instalados y ajustados con seguridad según se indica en el apartado “Montaje”.
2. Revise la unidad antes de cada uso. Cambie las piezas dañadas. Compruebe si hay fugas de combustible. Asegúrese de que todas las fijaciones estén en su lugar y bien apretadas. Siga las instrucciones de mantenimiento que comienzan en la página ES-20.
3. Asegúrese de que la cadena no se mueva en la velocidad de ralentí. Consulte el apartado “Ajuste de la velocidad mínima”, en la página ES-20.
4. Revise las cadena y espada y cambie cualquier pieza agrietada, resquebrajada o llevadas antes de utilizar la Podadora.
5. Nunca utilice las cadena y espada o piezas de repuesto no homologadas por MARUYAMA.
6. Realice el mantenimiento de la Podadora conforme a los intervalos y procedimientos recomendados en el apartado “Mantenimiento”.
7. Apague el motor y espere hasta que la cadena haya parado por completo antes de revisar, realizar tareas de mantenimiento o trabajar en la Podadora.
8. Si registra problemas de funcionamiento o vibración excesiva, pare inmediatamente la unidad e inspecciónela para averiguar cuál es la causa. Si no puede determinarla o no es capaz de arreglarla, devuelva la Podadora al distribuidor para que lo repare.

## Seguridad del combustible

1. La gasolina es altamente inflamable y debe ser manipulada y almacenada cuidadosamente. Use un recipiente aprobado para combustible para almacenar la gasolina y/o la mezcla de combustible/ aceite.
2. Mezcle y vierta el combustible en exteriores, donde no hayan chispas ni llamas.
3. No fume cerca del combustible o de la recortadora, o mientras no usa la recortadora.
4. No llene en exceso el estanque de combustible. Detenga el llenado a 1/4 - 1/2 pulgada (6 mm – 13 mm) desde la parte superior del tanque.
5. Limpie el combustible salpicado antes de arrancar el motor.
6. Mueva la recortadora al menos 10 pies (3 m) de la localización del combustible antes de arrancar el motor.



7. No extraiga la tapa de combustible mientras el motor está operando, ni inmediatamente después de detener el motor.
8. Permita que el motor se enfríe antes de rellenarlo de combustible.
9. Drene el tanque y opere el motor seco antes de almacenar la unidad.
10. Almacene el combustible y la recortadora alejados de fuego, chispas y el calor excesivo. Asegúrese de que los vapores de combustible no alcance a las chispas ni el fuego de los calentadores, hornos, motores eléctricos, etc.

## Seguridad al utilizar la Podadora

1. ESTA PODADORA PUEDE OCASIONAR LESIONES GRAVES. Lea las instrucciones atentamente. Familiarícese con todos los controles y el uso correcto de la podadora.
2. La podadora está diseñada para cortar madera, por lo que es potencialmente peligrosa. El uso incorrecto o imprudente puede ocasionar lesiones graves o incluso letales.
3. Esta podadora puede conducir electricidad. No la utilice cuando pueda hacer contacto con circuitos eléctricos conectados. Nunca la utilice cerca de fuentes y líneas eléctricas. El incumplimiento de esta advertencia puede conducir a lesiones graves o incluso la muerte.
4. Tenga presente en dónde caerá el material después de cortarlo. No permanezca bajo material que vaya a caer.
5. Inspeccione la zona de trabajo antes de comenzar. Retire objetos como cristales rotos, puntas, alambres y piedras que pueden convertirse en peligrosos proyectiles si son proyectados por la podadora. Retire cuerdas, sogas o materiales similares que pueden enredarse en el cabezal.
6. La podadora cortará y proyectará objetos. Mantenga a los niños, transeúntes y animales fuera de un radio de 15 m. en torno al operario y la unidad. Más allá de 15 m. aún puede existir un riesgo de lesión para los transeúntes debido a los objetos que salen despedidos. Se recomienda que los transeúntes empleen protección ocular. Un objeto que sale despedido puede rebotar. (Consulte el apartado “Seguridad al utilizar la recortadora”)
7. Si se le acerca alguien cuando utilice la podadora, para el motor y la cadena de la unidad.
8. Use la podadora sólo con luz diurna o con luz artificial adecuada.
9. No ponga las manos o los pies cerca o debajo de las piezas en rotación. Mantenga el cuerpo alejado en todo momento. Mantenga alejadas todas las partes del cuerpo de la cadena de la podadora y de las superficies calientes como el silenciador.
10. Mantenga un apoyo estable y equilibrado. No adopte una postura forzada.
11. Utilice la herramienta adecuada a la tarea. No utilice la podadora para tareas no recomendadas por MARUYAMA.

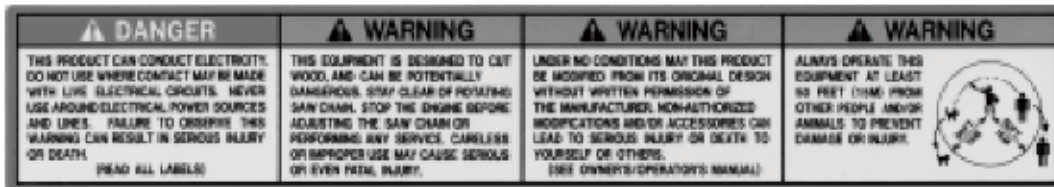
# Símbolos Adhesivos de Seguridad



Los símbolos Adhesivos de Seguridad son de fácil visibilidad y están localizados cerca de los lugares de peligro. Vuelva a poner cualquier símbolo adhesivo en caso de que esté deteriorado o haya sido despegado/s.



Sobre el Eje  
(221501)



Sobre el Eje  
(221529)



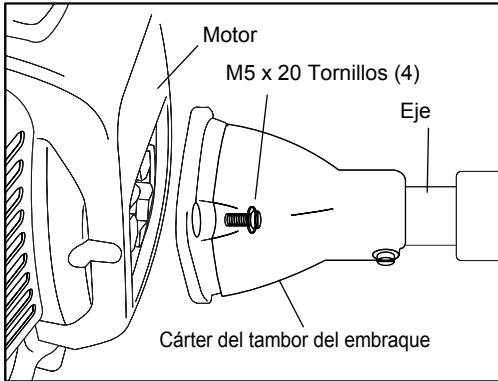
Sobre el Eje  
(219937)



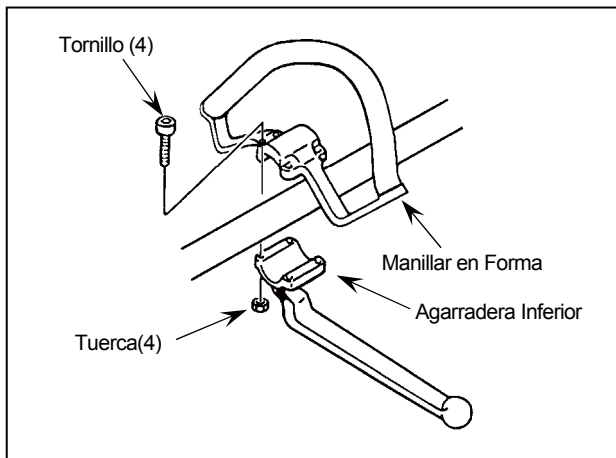
# Montaje

## Montaje del motor y el eje dirreccional de ensamblaje

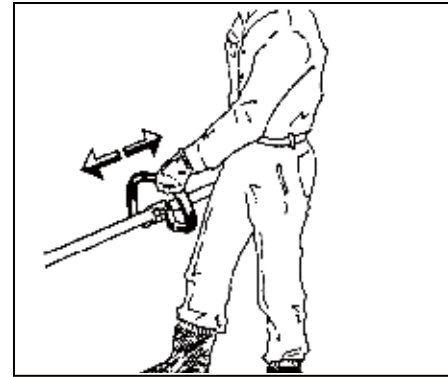
Fije el tambor del embrague al motor usando los cuatro M5X20 tornillos que vienen con la unidad.



## Instalación del manillar en forma



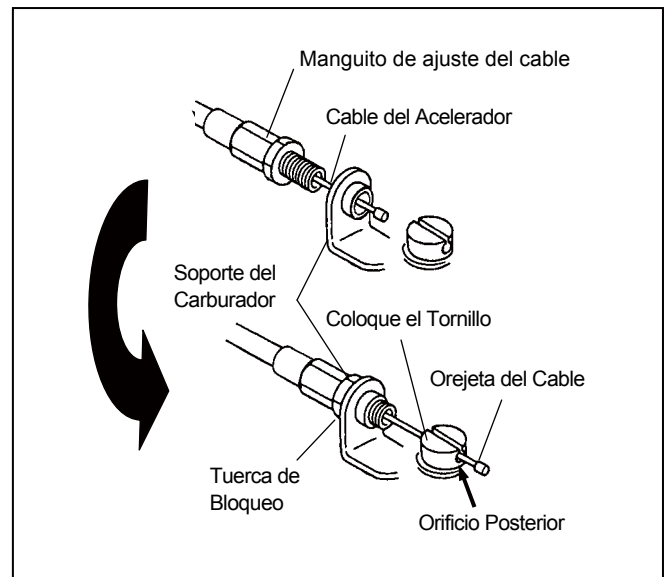
1. Coloque el Manillar en Forma y el Agarradera Inferior en el eje aproximadamente 9 pulgadas (22.8 cm) a partir del final del gatillo del Acelerador e Interruptor de parada para una posición de mango inicial.
2. Instale los cuatro tornillos y nueces. Deje los tornillos a prueba del dedo.
3. Coloque de nuevo el Manillar en Forma o abajo el árbol motor a el la posición más cómoda, pero no más cerca que 9 pulgadas (22.8 cm) a partir del final del interruptor de parada.



4. Apriete los tornillos y nueces.

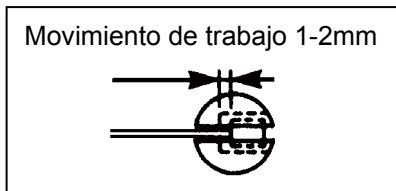
## Conexión del cable del acelerador y los cables del interruptor de parada

1. Suelte el pomo y quite la tapa del filtro de aire, inserte el cable del acelerador por el soporte del carburador, después atornille con cuidado el manguito de ajuste del cable en el soporte del carburador.
2. Coloque el tornillo en el carburador de modo que el orificio posterior para la orejeta del cable quede siempre alejado del manguito de ajuste del cable.
3. Gire la leva del acelerador del carburador y deslice el cable del acelerador por la ranura del tornillo, asegurándose de que la leva del cable sobresale por el orificio posterior.

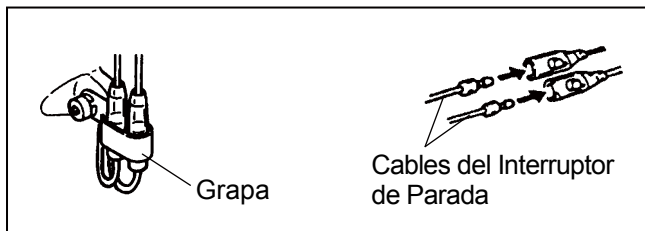


4. Presione el acelerador unas cuantas veces para asegurarse de que funciona correctamente.

- Ajuste el manguito de ajuste del cable de modo que la leva del acelerador del carburador contacte exactamente con la parada del acelerador y la posición del cable mantenga una holgura de 1-2 mm entre la orejeta del cable y el tornillo al apretar el acelerador hasta el fondo.



- Cuando el cable del acelerador esté ajustado correctamente, apriete la tuerca de bloqueo.
- Conecte los cables del interruptor de parada en los conectores correspondientes del motor. Recuerde que la polaridad de los cables no es importante.
- Conecte los cables de pare de la llave de stop con los cables del motor y fíjelos con la grapa.



- Vuelva a montar la tapa del filtro del aire.

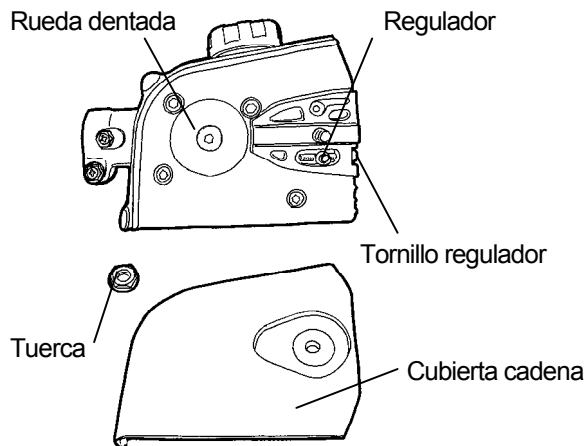
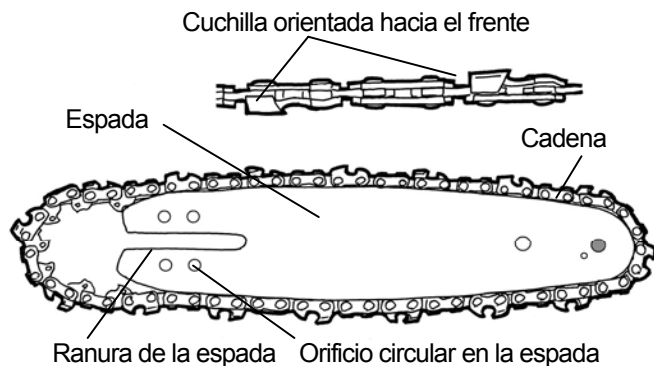
## Instalación de la espada y de la cadena de la motosierra

### ⚠ CUIDADO

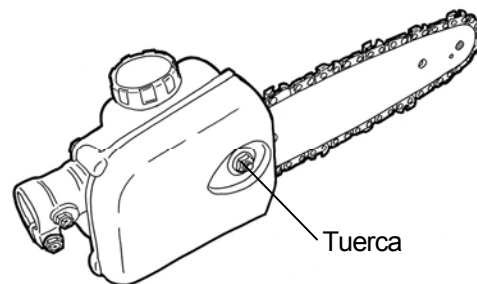
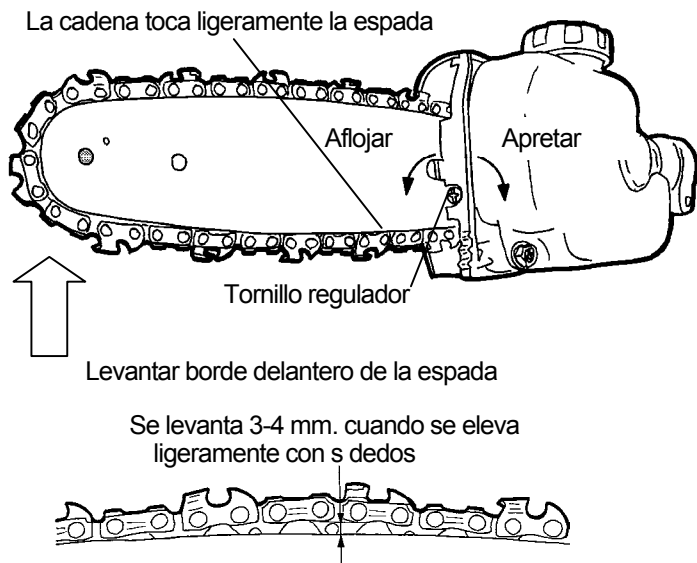
**Póngase guantes cuando manipule la espada y la cadena de la motosierra, para no cortarse.**

**Mantenga en todo momento la tensión adecuada de la cadena de la motosierra. Si no está bastante tensa, puede descajarse fácilmente cuando la motosierra esté funcionando. Si se aplica demasiada tensión a la espada, la cadena y el embrague se pueden desgastar prematuramente.**

- Introduzca la cadena de la sierra en la ranura de la espada, asegurándose de que la sección de corte de la cadena esté orientada hacia el frente.



- Engrane la cadena en la rueda dentada.
- Inserte la ranura de la espada en la unidad principal de la motosierra y ajuste el tornillo regulador para garantizar que el regulador esté insertado en el orificio circular de la espada.
- Ponga la cubierta de la cadena y atorníllela temporalmente con una tuerca, de modo que se pueda mover la espada.
- Levante el borde delantero de la espada y, con un destornillador, gire el tornillo regulador en el sentido de las agujas del reloj hasta que la cadena toque ligeramente el lado inferior de la espada.
- Apriete con fuerza la tuerca en la cubierta de la cadena, utilizando la llave de cubo suministrada como accesorio de la motosierra.
- Compruebe si se pueda levantar la cadena con los dedos en la parte central de la espada, alejándola de 3 a 4 mm. de la espada.



## Antes de utilizar

### Aceite de cadena (Accesorio de poda)

#### 1) Cómo llenar el depósito de aceite

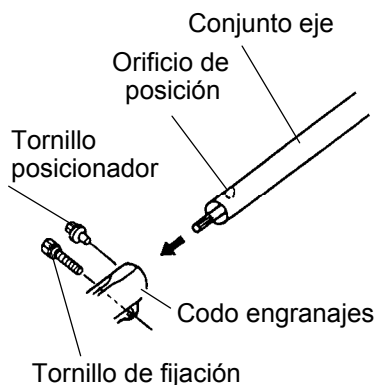
1. Quite la tapa del depósito de aceite y vierta el aceite de la cadena (SAE #10W-30) en el depósito.
2. Una vez hecho esto, apriete la tapa del depósito de aceite para cerrarlo con seguridad.

### Montaje del eje y el codo engranajes

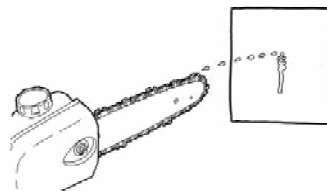
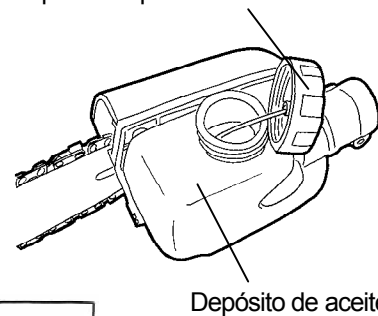
Acople el tubo del eje motriz al codo de engranajes de la motosierra.

Note:

Inserte el conjunto eje motriz en el codo de engranajes de la motosierra, girando el eje motriz para conseguir que engrane correctamente el estriado. Haga coincidir los orificios de posición y coloque el tornillo posicionador a través del codo de engranajes. Luego apriete los tornillos de fijación.



Tapa del depósito de aceite



## ⚠ PELIGRO

Asegúrese de que la espada y la cadena estén instaladas en la motosierra antes de comprobar la velocidad de descarga del aceite de la cadena. El rotor estará expuesto y por lo tanto entrañará peligro, si no están instaladas la espada y la cadena en la motosierra.

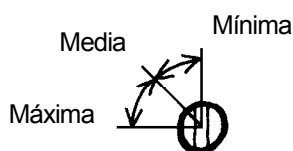
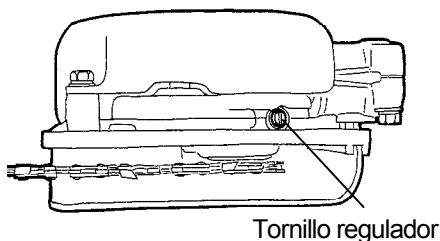
## ⚠ CUIDADO

- Puede pasar algún tiempo antes de que el aceite comience a descargarse una vez se ha añadido a un nuevo producto o cuando se ha llenado un tanque vacío. No haga girar la motosierra a alta velocidad en estas circunstancias.
- Cuando se utilice una cadena nueva, sumérgala en aceite para cadenas durante algún tiempo antes de instalarla en la motosierra, o vierta el aceite directamente sobre la cadena y la espada, después de instalarla en la motosierra. Si no están debidamente lubricadas, la motosierra puede agarrotarse.

El tornillo regulador tiene tres posiciones: mínima, media y máxima, sólo.

La motosierra está ajustada en la posición “Media” en el momento del envío. Se recomienda utilizar el producto con esta configuración para el uso común.

- Aumente la velocidad de descarga cuando corte ramas duras o con mucha resina, o cuando la viscosidad del aceite sea elevada durante el invierno.



Asegúrese de girar el tornillo ejerciendo presión con el destornillador.

1. Inserte un destornillador de cabeza plana en el tornillo regulador ubicado en la parte inferior de la unidad principal.

2. Cuando ejerza presión con el destornillador de cabeza plana, gire el tornillo hacia la derecha (en el sentido de las agujas del reloj) para reducir la frecuencia de descarga y hacia la izquierda (en el sentido contrario) para aumentarla.
3. Encienda el motor y haga girar la cadena, con la espada orientada hacia el suelo o un árbol. El aceite se pegará al suelo o al árbol, si se está descargando.

## ⚠ ADVERTENCIA

- Si utiliza la motosierra con la cadena demasiado floja, puede desencajarse la cadena y provocar un accidente. No olvide comprobar la tensión de la cadena antes de iniciar cualquier trabajo.

## Aceite y Combustible

### ⚠ PELIGRO

#### PELIGRO EN POTENCIA

- En ciertas condiciones la gasolina es un producto extremadamente inflamable y altamente explosiva.
- #### QUÉ PUEDE PASAR

- Un fuego o una explosión puede quemarle a Usted o a terceras personas y puede dañar objetos de la propiedad.

#### CÓMO PUEDO EVITAR ESTE PELIGRO

- Use un embudo y proceda a llenar el tanque de combustible en el exterior, en espacios abiertos, cuando la gasolina este fría. Seque cualquier vertido de gasolina.
- No llene completamente el tanque. Añada gasolina en el tanque de gasolina hasta que esta llegue a 10 mm por debajo del cuello superior de llenado. Este espacio vacío en el tanque de gasolina déjela que la gasolina se expanda.
- No fume nunca cuando manipule gasolina, y alejese de cualquier fuego abierto cuando manipule gasolina o el contenedor y manténgalo fuera del alcance de niños.
- No mezcle gasolina para más de dos meses de previsión de su uso.

1. No fume cerca del combustible.
2. Mezcle y vierta el combustible en espacios abiertos y donde no haya fuego o llamas.

## **ADVERTENCIA**

### **QUÉ PUEDE PASAR**

- El combustible puede salir disparado cuando Usted abre la tapa del tanque.

### **CÓMO PUEDO EVITAR ESTE PELIGRO**

- Quite la tapa del tanque de combustible despacio para evitar que sufra cualquier daño a causa del combustible.

### **PELIGRO EN POTENCIA**

- La gasolina contiene gases volátiles que pueden producir presión en el interior del tanque de combustible.

3. Siempre apague el motor antes de proceder al llenado de combustible. Nunca quite la tapa del tanque de combustible mientras el motor este funcionando o inmediatamente después de haber parado el motor.
4. Habra siempre la tapa del combustible despacio para que la posible presión acumulada en el interior del tanque salga de una manera segura.
5. No sobrellene el tanque de combustible. Pare de verter combustible al llegar a 10 mm del borde superior del tanque.
6. Apriete la tapa del tanque de combustible con cuidado pero de manera segura después de haberlo relleno.
7. Seque cualquier vertido de combustible que pudiera haberse vertido antes de proceder al llenado.
8. Aleje la Podadora como mínimo 10 pies (3 metros) del lugar de llenado de combustible y almacenaje del contenedor de combustible antes de arrancar el motor.

## **Tipo de Aceite Recomendado**

Úsese solamente en aceite para motor de dos tiempos formulado para uso en motores de dos tiempos enfriados por aire de alto rendimiento. El aceite de 2 tiempos de marca Maruyama ha sido formulado para uso en motores de dos tiempos enfriados por aire, de alto rendimiento.

**IMPORTANTE:** No use aceites certificados por la Asociación de Fabricantes Marinos Nacional (NMMA) o BIA. Este tipo de aceite de motor de 2 tiempos no tiene los aditivos apropiados para los motores de 2 tiempos enfriados por aire y puede causar daños al motor.

No use aceite para automóviles. Este tipo de aceites no contiene los aditivos adecuados necesarios para el uso en motores de dos tiempos refrigerados por aire y

pueden causar daños en el motor.

## **Tipo de combustible recomendado**

Use gasolina sin plomo fresca y limpia, incluyendo gasolina oxigenada o reformada, con octanaje de 89 o mayor. Para asegurar la frescura, compre sólo la cantidad de gasolina que pueda ser usada dentro de 30 días. El uso de gasolina libre de plomo resulta en menores depósitos en la cámara de combustión y una vida de la bujía más prolongada. El uso de combustible de grado Premium no es necesario ni recomendado.

## **Uso de aditivos de combustible**

**IMPORTANTE: NUNCA USE ALCOHOL, GASOLINA QUE CONTenga MÁS DE 10% DE ALCOHOL A QUE ESTO PODRÍA RESULTAR EN DAÑO AL SISTEMA DE COMBUSTIBLE DEL MOTOR.**

**NO USE ADITIVOS DE COMBUSTIBLE DISTINTOS DE AQUELLOS MANUFACTURADOS PARA LA ESTABILIZACIÓN DEL COMBUSTIBLE DURANTE EL ALMACENAMIENTO, TALES COMO EL ESTABILIZADOR/ ACONDICIONADOR DE MARUYAMA O UN PRODUCTO SIMILAR. EL ACONDICIONADOR/ESTABILIZADOR DE MARUYAMA ES UN DESTILADO DE PETRÓLEO. MARUYAMA NO RECOMIENDA ESTABILIZADORES CON BASE DE ALCOHOL TALES COMO ETANOL, METANOL O ISOPROPILO. NO SE DEBERÍAN USAR ADITIVOS PARA INTENTAR MEJORAR LA POTENCIA O EL RENDIMIENTO DE LA MÁQUINA.**

## **Mezcla de Gasolina y Aceite**

**IMPORTANTE:** El motor usado en la Recortadora está diseñado como motor de dos tiempos. Las partes móviles internas del motor, ejemplo: los cojinetes del cigüeñal, cojinetes del pistón y el pistón, y las superficies de las paredes del cilindro, requieren aceite mezclado con gasolina como lubricante. La ausencia por error de mezclar aceite con gasolina o el no añadir una proporción adecuada de aceite con la gasolina causará un daño al motor que no está cubierta en la garantía. Para su mezcla previa de combustible, use la mezcla de aceite de 2 tiempos Premium de Maruyama, o equivalente al aceite ISO-L-EGD y JASO FD con gasolina de alta calidad de mínimo de 89 octanos. El aceite de 2 tiempos de Maruyama está formulado especialmente para satisfacer los requerimientos de los motores de 2 tiempos enfriados por aire, de baja emisión y de alto rendimiento. El uso de otros aceites puede llevar a problemas de servicio que podrían no ser cubiertos por su garantía.

## Mezcla de combustible

Combustible: La relación es de 50 partes de gasolina por 1 parte de aceite o 50:1.



**Nota: Nunca use una relación de mezcla de menos de 50:1 independientemente de las instrucciones de mezcla del paquete de aceite. Las relaciones de menos de 50:1 (por ejemplo; 60:1, 80:1, 100:1) reducen la cantidad de lubricación a las partes móviles internas del motor y pueden causar daños.**

## Diagrama de mezclas de combustible

Gasolina	Aceite de 2 tiempos, 50:1
1 galón	2.6 onzas
2 galóns	5.1 onzas
5 galóns	12.8 onzas
1 litro	20 ml
5 litros	100 ml

## Instrucciones sobre la Mezcla

**IMPORTANTE: No mezcle nunca el aceite con la gasolina en el tanque de combustible de la Podadora directamente.**

1. Siempre mezcle el combustible y el aceite en un contenedor limpio adecuado para gasolina.
2. Señale el contenedor para identificarlo como contenedor para la mezcla de gasolina con aceite para la Podadora.
3. Use gasolina regular sin plomo y llene el contenedor con la mitad de gasolina requerida.
4. Vierta la correcta cantidad de aceite en el contenedor y después el resto de la cantidad de gasolina.
5. Cierre el contenedor de manera segura y agítelo por un instante para conseguir que el aceite se mezcle con la gasolina de manera apropiada antes de llenar el tanque de la Podadora.

6. Cuando rellene el tanque de combustible de la Podadora, limpie alrededor de la tapa del tanque para evitar que cualquier suciedad o partícula entre en el tanque de combustible cuando quitemos la tapa.
7. Siempre agite la pre-mezcla del contenedor de la mezcla antes de proceder al llenado del tanque.
8. Siempre use un embudo para proceder al llenado del tanque así evitará que se desparrame.
9. Llene solo hasta 1/4" to 1/2" (6 mm to 13 mm) de la parte superior del tanque. Evite llenar el tanque hasta el cuello de llenado.

## ARRANQUE Y PARADA

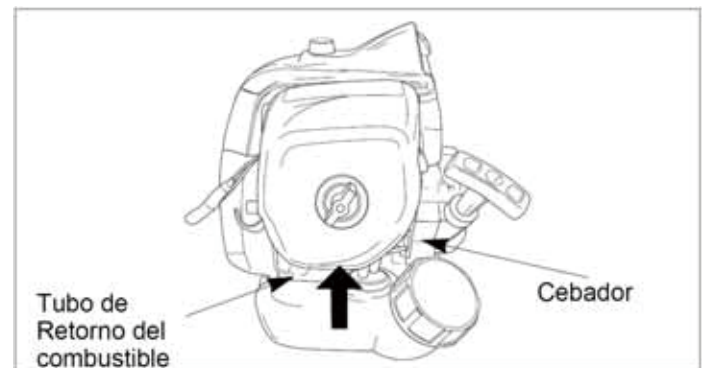
### Antes de Arrancar el Motor

1. Llene el tanque de combustible de la manera indicada en la sección "Antes de Utilizar" este manual.
2. Deje la Recortadora apoyada sobre el suelo.
3. Asegúrese de que el dispositivo de corte esta libre de toda partícula como por ejemplo, cristales rotos, clavos, cables, rocas o otra clase de desechos.
4. Mantenga a personas, niños y animales alejados del area de trabajo.

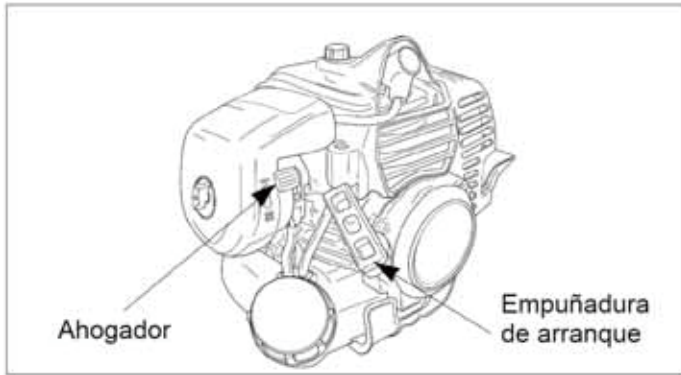
### Procedimiento para el Arranque en Frio

El carburador de este motor cuenta con un sistema cebador. Para arrancar un motor "en frio" de manera adecuada, siga el siguiente procedimiento:

1. Bombeé el cebador hasta que el combustible pueda verse a través del tubo de combustible y que este se dirige al tanque de combustible. La corriente de combustible deberá verse casi claramente, que no esté lleno de burbujas de aire.



2. Cierre la palanca del ahogador llevándola a la posición de cerrada.



3. Con el dispositivo de encendido en "ON" encendido, y el gatillo del acelerador en la posición de ralentí rápido, tire del cordel de arranque. Tire de la cuerda de arranque de retroceso hasta que se pueda ver la marca verde en la cuerda.

**⚠ CUIDADO**

- No tire el cordel de arranque hasta el fin.

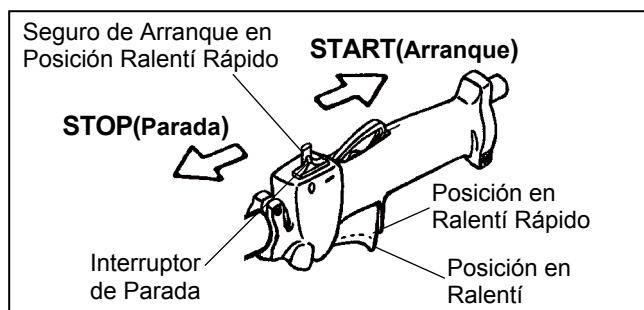
**⚠ ADVERTENCIA**

- No desarme el arrancador. Consulte con su servicio autorizado MARUYAMA.

El motor rotará por la fuerza del principal resorte incorporado. No tire de la cuerda de arranque de retroceso rápidamente. Tire de la cuerda suavemente justo hasta que pueda ver la marca verde en la cuerda, y luego retórnela suavemente.

Después que el motor haya arrancado, lleve la palanca del ahogador a la posición de "Open" abierta.

Entonces accione y afloje el gatillo del acelerador para dejar que vuelva a la posición de ralentí. Si el motor se para, ponga usted el acelerador en la posición de abierto "Open": Siga y abra el ahogador, tire de la palanca de arranque con el gatillo del acelerador puesto en posición en ralentí rápido "Fast Idle".



## Arranque en Caliente

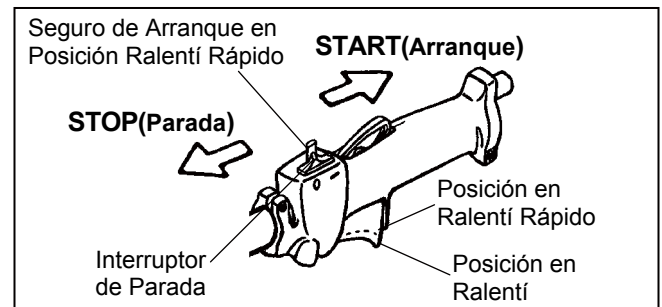
Para volver a arrancar el motor una vez que éste caliente (arranque en caliente), o si la temperatura ambiental excede 68°F (20°C).

1. Ponga la palanca del ahogador en la posición de abierta "Open", y ponga el dispositivo de arranque en la posición de arranque "ON".
2. Deje el gatillo del acelerador en la posición de ralentí y tire de la empuñadura de arranque.
3. Si el motor no arranca después de tres o cuatro intentos, siga las instrucciones del procedimiento de arranque en Frio en la sección de arriba.

Si el motor tampoco arrancase siguiendo el procedimiento arriba descrito, póngase en contacto con el concesionario de MARUYAMA.

## Para Parar El Motor

1. Suelte el gatillo del acelerador.
2. Ponga el dispositivo de parada en la posición "STOP" (parada).



# Uso

## ⚠ PELIGRO

- No permanezca justo debajo de la rama que se va a cortar. La rama puede caer directamente abajo y puede también rebotar en otras ramas o en el suelo en una dirección inesperada y lesionar al trabajador.
- No permita que nadie se acerque en un radio de 15 metros.
- La podadora no está aislada para evitar descargas eléctricas. Cuando trabaje, manténgala alejada del tendido eléctrico, a 15 metros como mínimo, puesto que existe un riesgo de electrocución.

## Posición de trabajo

1. Elija una posición de trabajo en la que la inclinación de la pértiga sea de 60 grados o menos.
2. Comience a cortar las ramas más bajas para que caigan con más facilidad cuando se corten.
3. Las ramas cortadas pueden caer hacia el trabajador, asegúrese de elegir un lugar que permita mantener una posición de trabajo estable y que ofrezca un rápido escape en caso de emergencia.

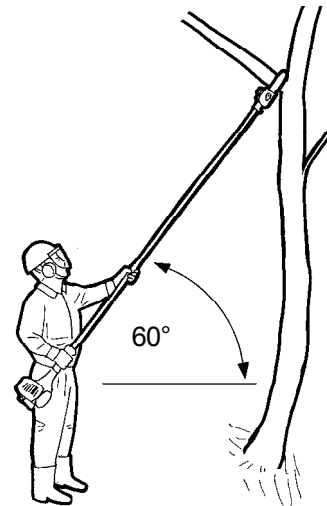
## ⚠ ADVERTENCIA

- Cuando trabaje, póngase un sombrero o un casco, gafas protectoras, guantes y protectores de oídos. Además, lleve una máscara contra el polvo cuando haya mucho polen o serrín, que puede ser perjudicial para la salud.

## Cómo cortar madera

1. Encienda la motosierra a todo gas y presione la cadena ligeramente contra la madera que desea cortar.
2. La capacidad de corte se reduce cuando se disminuye la revolución del motor y se presiona la

motosierra con fuerza contra la madera.

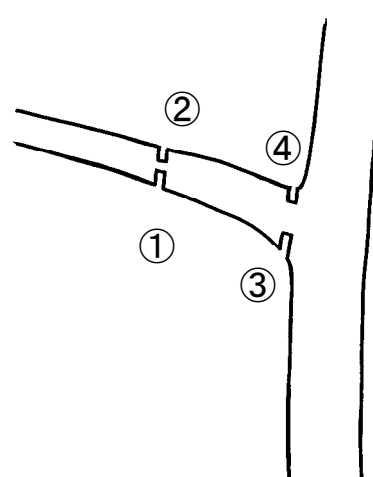


## IMPORTANTE

- Presionar la motosierra con fuerza contra la madera no sólo cansa al usuario más rápido, sino que también acelera el desgaste de la motosierra y de la espada.
- Si no se puede cortar la madera sin presionar la motosierra con fuerza contra ella, esto indica que la motosierra se está desafilando. En estos casos, afile la cadena o cámbiela por otra nueva.

## Cómo podar ramas gruesas

Con frecuencia, intentar cortar una rama gruesa de una vez hace que la espada se atore en la rama o que encuentre dificultades de corte. El método descrito a continuación facilita el corte de ramas gruesas:





1. Primero, corte una sección un poco más lejos y en la parte inferior de la zona deseada de la rama.
2. Luego, comience a cortar desde la parte superior de la rama.
3. A continuación, practique el corte en el lado inferior, en la zona de la rama que se desee cortar.
4. Finalmente, corte desde la zona superior donde desee seccionar la rama, hasta separarla por completo.

## IMPORTANTE

**Si la espada o cadena se atora en la rama, no la fuerce. Ensanche el corte con una cuña para retirar la motosierra e intente cortarla de nuevo. Si fuerza la motosierra, puede dañar la unidad principal y causar una avería de la motosierra.**

## Ajustes de la tensión de la cadena

### **ADVERTENCIA**

- Cuando utilice la motosierra, asegúrese de apagar el motor antes de realizar cualquier inspección o ajuste.
- No haga ningún ajuste cuando la espada o la cadena esté aún caliente después de utilizar la motosierra. Espere a que se haya enfriado antes de realizar ningún ajuste.

1. Gire la tuerca de la cubierta de la cadena una vez para aflojarla.
2. Levante el borde delantero de la espada y gire el tornillo regulador para apretar la cadena. Si gira el tornillo en el sentido de las agujas del reloj, apretará la cadena, mientras si la gira en sentido contrario, la aflojará.
3. Apriete con fuerza la tuerca de la cubierta de la cadena.
4. Compruebe que la cadena de la sección central de la espada puede levantarse con los dedos de 3 a 4 mm. de la espada.

## Mantenimiento

El mantenimiento, reemplazo o reparación de los dispositivos y sistemas de control de emisiones puede ser efectuado por un taller especializado o individuo; sin embargo, las reparaciones bajo la garantía deben ser efectuadas por un distribuidor o centro de servicio autorizado por Maruyama Manufacturing Company, Inc. El uso de las partes que no sean equivalentes en rendimiento y durabilidad a las partes autorizadas puede inhabilitar la efectividad del sistema de control de emisiones y pueden tener un efecto sobre el resultado del reclamo de la garantía.

El mantenimiento de los motores actuales de bajas emisiones es incluso más decisivo para lograr una vida útil más larga y un mejor rendimiento. Especialmente cruciales son los filtros de aire y de combustible, el valor térmico de la bujía, la zona de entrada de aire de refrigeración y los huelgos adecuados de la bobina y la bujía.

## Motor

### Ajuste de la Velocidad del Ralentí

Esta Podadora está equipada con un carburador para mezcla de combustible no-ajustable. La velocidad del ralentí es la única parte ajustable por el operario.

### **WARNING**

#### PELIGRO POTENCIAL

- El motor debe estar en funcionamiento para proceder a ajustes.
- Cuando el motor está en funcionamiento, las partes conectadas están en movimiento.

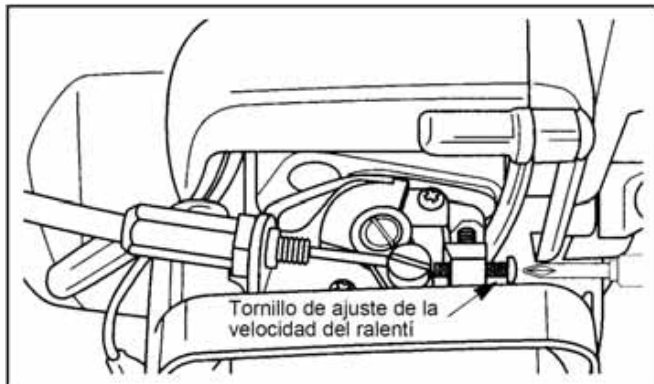
#### QUE PUEDE PASAR

- Un contacto directo con la herramienta suplemento o con otras partes en movimiento pueden causar una grave lesión en las personas o la muerte.

#### CÓMO PUEDO EVITAR ESTE PELIGRO

- Mantenga manos, pies y la vestimenta alejada de la herramienta-suplemento y otras partes en movimiento.
- Mantenga a terceras personas y a animales fuera del alcance de la unidad mientras haga ajustes.

El accesorio de corte puede que esté en movimiento durante el ajuste de la velocidad del ralentí. Use el equipo de protección personal recomendado y tenga en cuenta todas las instrucciones sobre seguridad. Mantenga manos y cuerpo fuera del alcance de la herramienta incorporada (cuchilla, etc). Cuando el gatillo del acelerador no está siendo presionado, el motor deberá volver a la velocidad de ralentí. La velocidad correcta del ralentí es de 2700-3300 RPM (o justo por debajo de la velocidad del embrague).



La herramienta conectada no tienen que estar en movimiento y el motor no debe calarse (pararse) a la velocidad de ralentí. Para ajustar la velocidad del ralentí, gire el tornillo de ajuste del ralentí localizado sobre el carburador.

- Gire el tornillo de ajuste del ralentí (hacia la derecha) para incrementar la velocidad del ralentí del motor.
- Gire el tornillo de ajuste del ralentí (hacia la izquierda)

**Si el ajuste de la velocidad del ralentí es necesario, y si después de su ajuste la herramienta cortadora incorporada a la unidad gira o el motor se cala, ¡pare la Podadora inmediatamente!**

Póngase en contacto con el concesionario autorizado por Maruyama para que le asista.

## Filtro del Aire

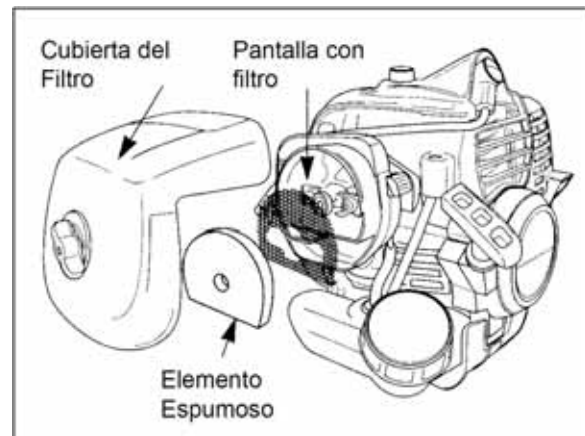
### Periodos en los que es Necesario Verificar

- El filtro del aire debe ser limpiado diariamente, o más a menudo cuando se trabaja en un entorno en donde haya mucho polvo.

- Repóngalo cada 100 horas de trabajo.

## Limpieza del Filtro del Aire

1. Suelte el pomo y quite la tapa del filtro de aire.
2. Quite el elemento de material espumoso.
3. Limpie el elemento de material espumoso con agua templada ligeramente enjabonada. Deje lo secar completamente.
4. Aplique una ligera capa de aceite de motor SAE 30 al elemento espumoso y quite el exceso de aceite haciendo presión sobre el mismo.
5. Vuelva a montar el elemento espumoso y la cubierta del filtro del aire.



## Filtro del Combustible

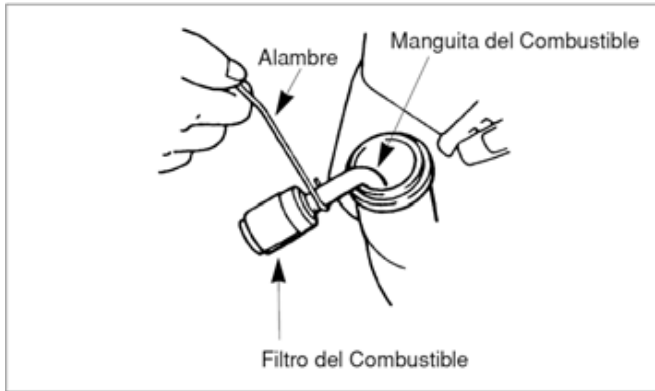
### Periodos en los que es Necesario Verificar

El filtro del combustible debe ser cambiado cada 100 horas de trabajo.

## Cambio del Filtro de Combustible

El filtro del combustible está fijado en el extremo de la manguita para el combustible, dentro del tanque. Para cambiar el filtro del combustible:

1. Asegúrese que el tanque de combustible está vacío.
2. Quitar la tapa del tanque de combustible.



3. Usando un gancho de alambre, saque cuidadosamente el filtro del combustible a través de la boca del tanque. Tenga cuidado de no dañar el tubo de combustible. Cámbielo inmediatamente si está pinchado.
4. Agarre la manguita del combustible que esta cerca del filtro de combustible y quite el filtro del combustible, pero no suelte la manguita.
5. Mientras tiene la manguita con la mano, reponga el nuevo filtro.
6. Ponga el nuevo filtro en la posición original dentro del tanque.
7. Asegúrese de que el filtro no está atascado en la esquina del tanque, y de que la manguita del combustible no esta doblada antes de rellenar el tanque de combustible.

## Bujía

### Periodos en los que es Necesario Verificar

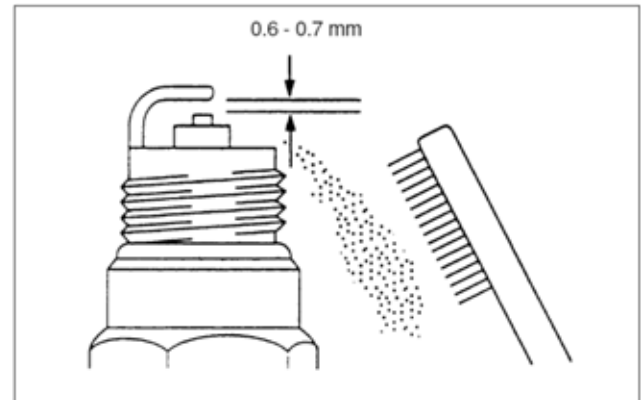
- La bujía debe ser desmontada del motor y debe ser verificada cada 25 horas de trabajo.
- Cambie la bujía cada 100 horas de trabajo.

### Mantenimiento de la Bujía

1. Mueva la pipa de alta tensión de la bujía de atrás adelante una cuantas veces para que está se aligere y saquela fuera de la bujía.
2. Quite la bujía.

3. Limpie los electrodos con un cepillo duro.

4. Ajuste la distancia del electrodo de tal manera que quede de entre 0.6 - 0.7 mm de distancia.



5. Cambie la bujía si está sobre engrasada, dañada o si los electrodos están desgastados.
6. No apriete demasiado la bujía cuando la monte sobre el motor. La fuerza de torque es de 10.7- 16.6 N•m.
7. Utilice siempre y únicamente el valor térmico propio de la bujía. Es especialmente crucial para los motores actuales de bajas emisiones. Para obtener los mejores resultados, utilice el repuesto exacto.

## Aletas del cilindro de refrigeración

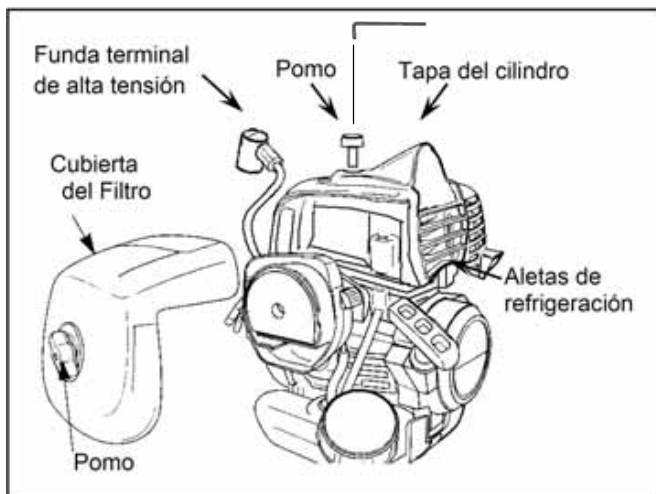
### Intervalo de mantenimiento

- Las aletas del cilindro de refrigeración deben limpiarse cada 25 horas de funcionamiento o una vez a la semana, lo que se produzca primero.
- El aire debe fluir libremente alrededor y a través de las aletas del cilindro de refrigeración para evitar que el motor se recaliente. La acumulación de hojas, césped, suciedad y desechos en las aletas aumentará la temperatura de funcionamiento del motor, lo que puede reducir el rendimiento del motor y acortar la vida del motor.

### Limpieza de las aletas de refrigeración

1. Con el motor a la temperatura ambiente (de la sala), suelte el pomo y remueva la cubierta del filtro.

2. Tuerza la funda terminal de alta tensión sobre la bujía hacia la frente y atrás un par de veces para aflojar la funda y entonces sacarla de la bujía.
3. Afloje el pomo y levante la tapa del cilindro.
4. Limpie toda la suciedad de las aletas refrigeradoras y de la base del cilindro.
5. NO descuide la limpieza de la zona de entrada del aire de refrigeración situada debajo del cárter del cigüeñal y sobre el depósito de combustible. Para que el motor funcione correctamente, esta zona debe estar libre de residuos y obstrucciones.
6. Reinstale el cilindro y las cubiertas de filtro de aire.



## Matachispas

### ⚠ ADVERTENCIA

#### PELIGRO POTENCIAL

- La superficie del silenciador se calienta cuando la recortadora está en operación y permanece caliente npor algún tiempo después que el motor se ha apagado.

#### QUÉ PUEDE SUCEDER

- El contacto con la superficie del silenciador caliente podría causar una quemadura.

#### MANERA DE EVITAR EL PELIGRO

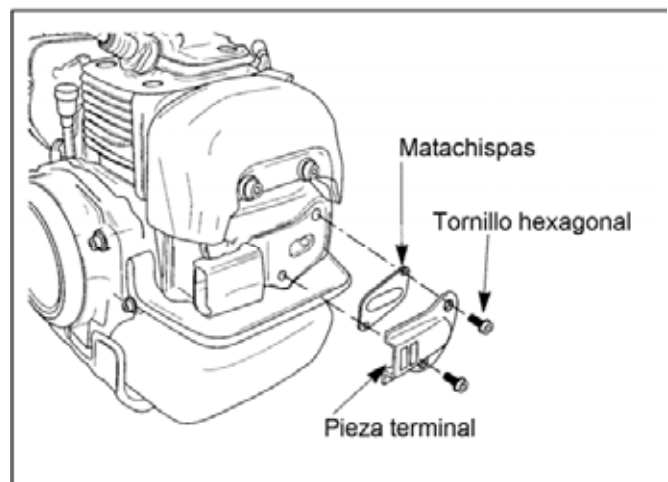
- Asegúrese que el silenciador esté frío antes de inspeccionar y limpiar la protección contra chispas.

## Intervalo de mantenimiento

- Debería examinar y limpiar el matachispas después de cada 25 horas de uso.
- Cambie el filtro si no puede limpiarlo a fondo o si está dañado.

## Mantenimiento del matachispas

1. Con el motor a temperatura ambiente, afloje el botón y retire la tapa del filtro de aire.
2. Gire, de un lado a otro y un par de veces, el protector de plomo de alta tensión de la bujía para aflojarlo y retirarlo, a continuación.



3. Afloje el botón y levante la culata del cilindro.
4. Retire y limpie la pieza terminal, la junta y el matachispas con un disolvente de seguridad y un cepillo duro. En caso de no poder limpiar por completo alguna pieza, debe cambiarla.
5. Vuelva a instalar el matachispas y la pieza terminal en el silenciador, a continuación coloque y apriete los dos tornillos hexagonales.
6. Vuelva a instalar la culata del cilindro y la tapa del filtro.

## Silenciador de escape

### Intervalo de mantenimiento

El silenciador debe ser inspeccionado y limpiado después de 100 horas de uso.

### Mantenimiento del silenciador

1. Con el motor a la temperatura ambiente (de la sala), suelte el pomo y remueva la cubierta del filtro.
2. Tuerza la funda terminal de alta tensión sobre la bujía hacia la frente y atrás un par de veces para aflojar la funda y entonces sacarla de la bujía.
3. Afloje el pomo y levante la tapa del cilindro.
4. Remueva la protección contra chispas (refiérase al mantenimiento de la protección contra chispas). Limpie el silenciador con un cepillo duro.

### IMPORTANT

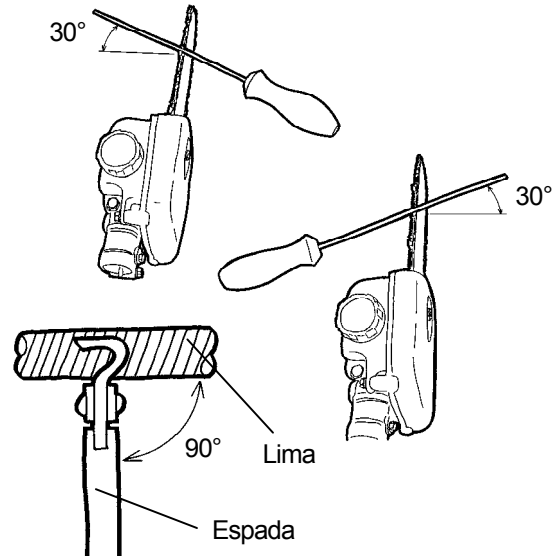
**No usar solvente para la limpieza interna del silenciador, ya que el conversor catalítico está dentro del silenciador. Tomar cuidado para no dejar que suciedad o residuos caigan dentro del conducto de escape, puesto que esto puede causar daños al motor.**

5. Reinstale la trampa de chispas y la cola en el silenciador y entonces reinstale y ajuste los dos tornillos de cabeza hueca.
6. Reinstale el cilindro y las cubiertas de filtro de aire.

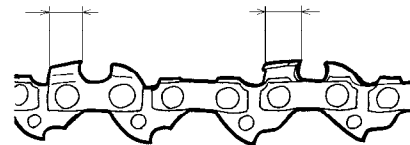
### Cómo afilar la cadena

Cuando las astillas de madera se tornan finas y pequeñas o no se pueda cortar la madera sin presionar la motosierra con fuerza contra ella, puede que sea necesario afilar la cadena.

1. Tense la cadena un poco más de lo normal, luego asegure la unidad principal de la motosierra.
2. Coloque una lima de 4,0 mm. de diámetro contra la cuchilla y extiéndala 1/5 más allá de la cuchilla.
3. Presione la lima contra la cuchilla en su base formando un ángulo de 30° a partir de la línea vertical y mueva la lima del lado interior al exterior de la cuchilla.



Mantenga los largos de la cuchilla uniformes



4. Cambie la lima para que forme un ángulo de 90° con relación a la espada.
5. Una vez esté afilado un lado de la cuchilla, afile el otro. Asegúrese de mantener igual la longitud y el ángulo hasta el final.

### Importante

- La eficacia de este trabajo repercute en gran medida en el afilado de la cuchilla. Se recomienda afilar con frecuencia.
- Utilice una lima adecuada para afilar los dientes de la cadena.

### Cómo ajustar el calibrador de profundidad

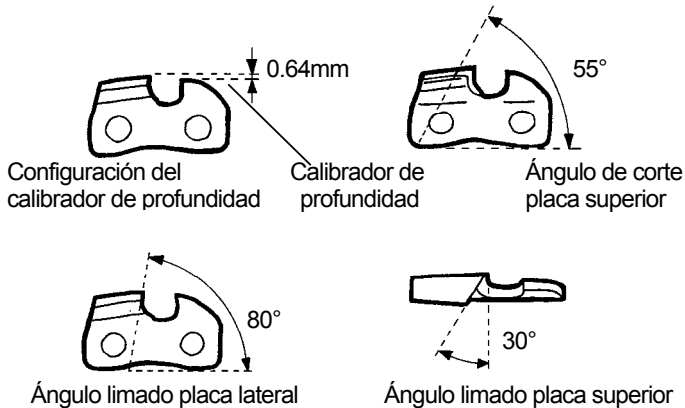
El calibrador de profundidad determina la profundidad del corte practicado por la cuchilla en la madera.

1. Cuando los largos de la cuchilla se acortan debido al afilado, también debe recortarse el calibrador de profundidad.

- Recorte el calibrador de profundidad con una lima plana, de modo que esté colocado 0,64 mm. más abajo que el borde delantero de la cuchilla.
- Una vez recortado, desbaste el extremo del calibrador de profundidad.

### Importante

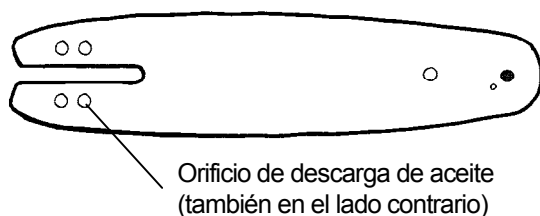
**Asegúrese de que el calibrador de profundidad no esté demasiado recortado, podría provocar un rápido deterioro de la cuchilla.**



Especificaciones de mantenimiento de la cuchilla

## Mantenimiento de la cubierta de la espada

- Cuando el trabajo con la motosierra haya llegado a su fin, retire la espada y la cadena de la motosierra.
- Quite cualquier astilla u otra partícula de la ranura de la cubierta de la espada o del orificio del aceite. Preste particular atención a que ninguna partícula obstruya el orificio del aceite.
- Retire las astillas de madera y otras partículas situadas en torno al orificio de descarga de aceite y en torno a la rueda dentada en la unidad principal de la motosierra.

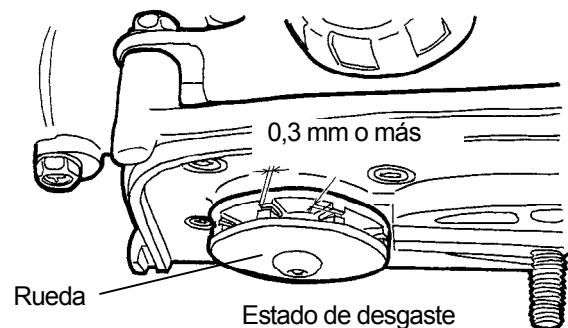


## Importante

- Cuando instale la espada, cámbiela de vez en cuando de arriba y abajo para evitar un desgaste desigual y para aumentar la vida útil de la espada.**
- Si el orificio de descarga de aceite se obtura con astillas de madera u otras partículas, la motosierra podría agarrarse.**

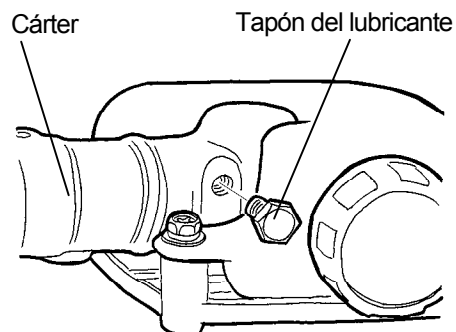
## Inspección de la rueda dentada

- Inspeccione la rueda dentada para asegurarse de que el tornillo no está flojo o gastado.
- Si la rueda dentada está gastada en 0,3 mm. o más, como se muestra en la imagen siguiente, reemplace la rueda dentada. Si continua utilizando la cadena con la rueda dentada en este estado reducirá la vida útil de la cadena.



## Cárter

- Retire el cárter del tubo.
- Retire el tapón del lubricante y prepare lubricante de litio.
- Inyecte lubricante suficiente (unos 10g) para que parte salga por el orificio acanalado, en el cual se inserta el eje motor.



## El general limpiando y apretándose

### **⚠ ADVERTENCIA**

#### **PELIGRO EN POTENCIA**

- Cuando el motor está en funcionamiento, las herramienta cortadora y otras partes están en movimiento.

#### **QUÉ PUEDE PASAR**

- Un contacto con las pieza ajustada al rotor u otras partes de la unidad pueden causar serias lesiones en

#### **QUÉ PUEDE EVITAR ESTE PELIGO**

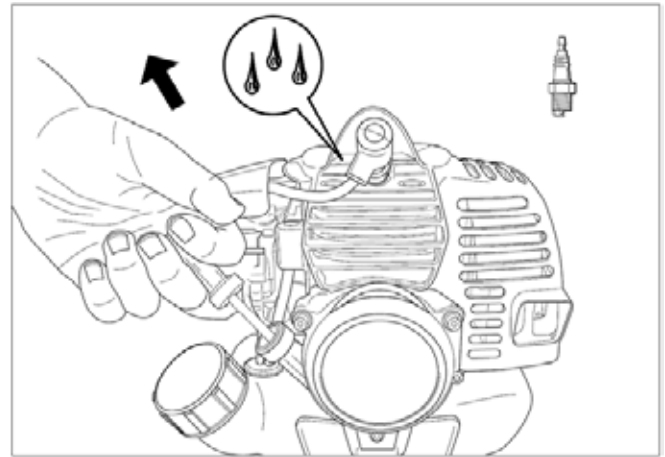
- Pare siempre el motor de la Podadora de proceder a su limpieza o cualquier tipo de mantenimiento en la unidad.

La Podadora de Maruyama ofrece un máximo rendimiento durante muchas, muchas horas si se aplica un trabajo de mantenimiento adecuado. Un correcto trabajo de mantenimiento incluye una verificación regular de que todas las piezas están ajustadas correctamente, así como la limpieza de la maquina en su conjunto.

## Almacenaje

Para proceder a almacenar la Recortadora durante un largo periodo de tiempo:

1. Vacie el tanque del combustible y vierta el contenido en un contenedor para su adecuado almacenaje.
2. Ponga en funcionamiento el motor para vaciar totalmente el combustible que pueda haber en el carburador.
3. Proceda a efectuar todas las labores de mantenimiento regulares y a la reparación de cualquiera de sus partes que necesiten dicha reparación.
4. Desmonte la bujía y vierta una pequeñísima cantidad de aceite de motor en el cilindro.
5. Tire de la empuñadura de arranque una vez.



### **⚠ CUIDADO**

#### **PELIGRO EN POTENCIA**

- Puede que una cantidad de aceite le salpique desde la apertura de la bujía cuando intente tirar de la empuñadura del arranque.

#### **QUE PUEDE PASAR**

- El aceite puede producir lesiones oculares.

#### **CÓMO PUEDE EVITAR ESTE PELIGO**

- Proteja sus ojos y mantenga su cara alejada de la apertura de la bujía.

6. Pull the starter grip once.
7. Slowly pull the starter grip to bring the piston to the top of the cylinder (TDC).
8. Reinstall the spark plug.
9. Store the Pruner in a dry place away from excessive heat, sparks or open flame.

# Problemas

Problema	Causa	Qué se debe hacer
El motor no arranca	El interruptor de paradas ("Stop") está en posición de paradas ("off") Tanque vacío El motor está inundado	Mueva el interruptor a la posición "On" Llene el depósito Siga el procedimiento de arranque de motor en caliente
Problema de ralentí	La velocidad del ralentí es incorrecta	Vuelva a ajustar el ralentí
Al motor le falta fuerza, se ahoga/calca cuando corta	El cable del acelerador no está tensado El filtro del aire está sucio Protector contra chispas u orificio de escape tapados	Tense el cable del acelerador Limpie el filtro del aire o cámbielo Limpie el protector contra chispas u orificio de escape

# Período de mantenimiento

Mantenimiento	Diario	Cada 20 horas	Cada 50 horas	Cada 100 horas
Verificación y relleno de combustible	●			
Verificación por filtración de combustible	●			
Verificación de los pernos, tuercas y tornillos por apriete o falta	●			
Apriete de los pernos y tuercas			●	
■ Limpie el elemento de filtro de aire	●			
Limpie la bujía y ajuste la luz del electrodo		●		
■ Remueva el polvo y la suciedad de las aletas del cilindro		●		
● Remueva los depósitos de carbón en el orificio de escape			●	
● Limpie el protector contra chispas		●		
Reemplace el filtro de combustible				●
● Remueva los depósitos de carbón en la culata y la cámara de combustión				●
● Remueva los depósitos de carbón en los orificios de transferencia				●
Reemplace el tubo de combustible, la empaquetadura de la tapa del tanque de combustible.	Se recomienda reemplazar cada 3 años			

●: El servicio debe ser efectuado por un distribuidor de motores de Maruyama autorizado.

■: Efectúe el servicio más frecuentemente bajo condiciones polvorrientas.

**NOTA:** Los intervalos de servicio indicados deben ser usados como guía. El servicio debe ser efectuado de manera más frecuente en la medida de lo necesario, dependiendo de la condición de operación. Use aceite de motor de dos tiempos, 50:1 estándar.

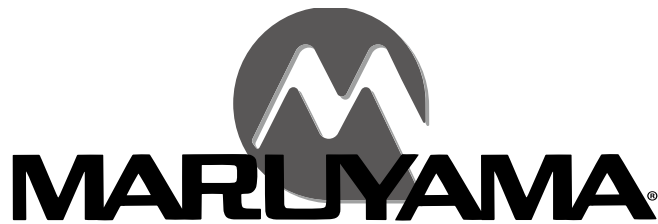


# Especificaciones

	<b>P23-10</b>
Peso seco *1 (lbs)	*111.9 (5.4kg)
Displazamiento del motor (cm <sup>3</sup> )	22.5
Contra vibración	Dual Isolation - Empuñadura y montura del motor
Carburador de tipo	Walbro diafragma
Encendido	Sistema de estado sólido
Capacidad del tanque de combustible (qts.)	0.53 (0.5ℓ)
La gasoline para engrasar la proporción	50:1
Bujia	NGK BPM8Y
Luz entre electrodos (in.)	.024 -.028 (0.6 - 0.7 mm)
EPA y CARB Aprobado	Phase3, Tier 3

## **Durabilidad de emisión de 300 horas.**

\*1. Peso seco sin combustible, cadena, espada ni cinta para el Hombro.



## Déclaration de garantie limitée

Les produits commerciaux et industriels Maruyama sont garantis à l'acheteur initial contre tout vice de matière ou vice de fabrication, **à partir de la date d'achat**, et ce, pour les durées suivantes :

**Garantie à vie** pour l'arbre de transmission interne des taille-bordures et des débroussaileuses et pour l'ensemble des modules d'allumage.

**3 ans** pour utilisation résidentielle, domestique, non lucrative.

**1 an** pour utilisation industrielle, commerciale, publique, en location et lucrative.

Les moteurs Maruyama de la série AE et Kawasaki TEX45/TEX54 bénéficient exclusivement d'une couverture supplémentaire d'un an dans le cadre d'une utilisation industrielle, commerciale, publique, en location et lucrative (2 ans au total).

Pour les autres moteurs, reportez-vous à la déclaration de garantie du fabricant correspondant.

En cas de défectuosité d'une pièce au cours de la période de garantie, Maruyama, à sa discrétion, sera tenu de la changer ou de la remplacer gratuitement. L'évaluation de la garantie est obtenue en délivrant le produit Maruyama qui semble être défectueux au Service technique d'un distributeur Maruyama agréé dans la période de garantie.

L'acheteur sera exonéré des frais de diagnostic d'une pièce sous garantie si ledit diagnostic est effectué dans un centre de distribution Maruyama agréé

Le remplacement d'une pièce sous garantie non prévu dans le plan de maintenance requise, ou programmé uniquement dans le cadre de la révision ordinaire en vue de sa "réparation ou remplacement si nécessaire" sera couvert pendant la période de garantie. Toute pièce sous garantie remplacée dans le cadre de la maintenance requise est garantie pendant la période précédant le premier point de remplacement prévu pour cette pièce. Maruyama Mfg. Co., Inc. sera tenu responsable des dommages aux autres composants du moteur causés par la défaillance d'une pièce encore sous garantie. Il incombe au propriétaire d'effectuer la maintenance requise, comme décrit par Maruyama Mfg. Co., Inc. dans le manuel d'utilisation.

**GARANTIE DES PIÈCES LIÉES AUX ÉMISSIONS** : Outre la couverture de garantie stipulée ci-dessus, Maruyama Mfg. Co., Inc. se chargera de la réparation ou du remplacement, sans frais supplémentaire pour l'acheteur initial et les sous-acquéreurs, d'une pièce liée aux émissions s'avérant défectueuse pour vice de matières et vice de fabrication, pendant une durée de deux ans (2) à compter de la date de livraison par le détaillant d'origine, **excepté le pot catalytique. Le pot catalytique est garanti pour une durée d'un à partir de la date de livraison par le détaillant d'origine. Les pièces liées aux émissions couvertes par la garantie sont : le carburateur, le système d'allumage, le rotor de distributeur, la bougie et le pot catalytique.** Toute pièce de rechange qui est de prestations et de durabilité équivalentes peut être utilisée dans des interventions de maintenance ou de réparations hors garantie, et elle ne réduira pas les obligations de garantie de Maruyama Mfg. Co., Inc.

**Cette garantie ne couvre pas les conditions suivantes :**

1. Eléments de maintenance (à l'exception des vices de matière et vices de fabrication) y compris les tuyaux flexibles, bougies, câbles de démarreur, filtres à air et à carburant, masselottes d'embrayage, isolateurs de vibration, câbles d'accélérateur et dispositifs de coupe, etc.
2. Frais additionnels incluant l'envoi et la manutention, le déplacement, les indemnités pour temps d'inactivité ou de nuisance et d'entreposage.
3. Ajouts ou modifications de pièces de marchés secondaires non autorisées par Maruyama U.S., Inc.
4. Toute défaillance causée par l'usure, un accident, une négligence, une utilisation abusive, des carburants, lubrifiants et mélanges de carburants (le cas échéant) inappropriés, ou une utilisation ou un entretien défectueux du produit découlant du non-respect des instructions fournies par Maruyama.

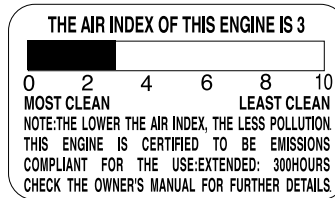
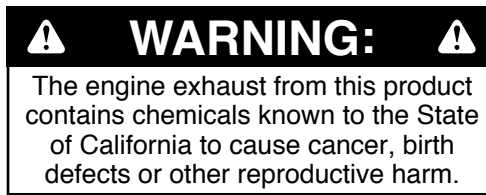
La réparation ou le remplacement tel que stipulé dans la présente garantie est la solution unique de l'utilisateur. Maruyama ne saurait être tenu responsable des dommages accessoires ou indirects dus à un manquement exprès ou implicite à la garantie de ces produits, sous réserve des limites établies par la loi en vigueur. Toute garantie tacite de qualité marchande ou d'aptitude à un but particulier pour ce produit est limitée par la durée de cette garantie, telle que définie dans la déclaration de garantie limitée. Maruyama se réserve le droit de modifier ou d'améliorer le design du produit sans préavis et décline toute obligation de mettre à jour les produits préalablement fabriqués.

Cette garantie vous offre des droits juridiques spécifiques susceptibles de varier selon la législation particulière d'un État.

Il incombe au propriétaire et au revendeur de remplir correctement la carte d'enregistrement de la garantie et de l'adresser à la société Maruyama U.S., Inc. Une preuve d'achat et de l'enregistrement sera requise en vue de bénéficier du service de garantie.

Pour localiser le distributeur Maruyama agréé le plus proche, contactez :

**Maruyama U.S., Inc.**  
**4770 Mercantile Drive, suite 100,**  
**Fort Worth, TX 76137 U.S.A**  
**(940)383-7400**  
**maruyama@maruyama-us.com**  
**www.maruyama-us.com**



**P23-10**

## **DÉCLARATION DE GARANTIE DU CONTRÔLE DES ÉMISSIONS DE L'ÉTAT FÉDÉRAL. DROITS ET OBLIGATIONS DÉRIVÉS DE LA GARANTIE**

L'Agence de Protection environnementale des États-Unis (EPA) et Maruyama Manufacturing Company, Inc. ont le plaisir d'expliquer la garantie du système de contrôle des émissions concernant votre petit moteur hors route. Les nouveaux petits moteurs hors route modèles 1997 et ultérieurs doivent être conçus, fabriqués et équipés, au moment de la vente, en vue de respecter les réglementations de l'EPA des États-Unis en matière de petits moteurs hors route. Le moteur de l'appareil ne doit présenter aucun vice de matière, ni vice de fabrication susceptibles d'entraver sa conformité aux normes de l'EPA des États-Unis au cours des deux premières années d'utilisation du moteur, à partir de la date de vente jusqu'au dernier acquéreur. Maruyama Manufacturing Company, Inc. doit garantir le système de contrôle des émissions de votre petit moteur hors route pour la durée indiquée ci-dessus, sous réserve de l'absence d'abus, de négligence ou d'entretien incorrect de celui-ci.

### **Période de durabilité des émissions : 300 heures.**

Votre système de contrôle des émissions doit inclure des pièces telles que le carburateur ou le système d'injection, le système d'allumage, et le pot catalytique. Il doit également inclure les tuyaux flexibles, courroies, et connecteurs, ainsi que les autres systèmes liés aux émissions. Toute pièce sous garantie de votre petit moteur hors route sera gratuitement réparée par Maruyama Manufacturing Company, Inc., y compris le diagnostic (s'il est effectué dans un centre agréé), les pièces et la main d'oeuvre.

### **COUVERTURE DE GARANTIE DU FABRICANT :**

Les petits moteurs hors route modèles 1997 et ultérieurs sont garantis pendant deux ans. Si une pièce de votre moteur liée aux émissions s'avère défectueuse, la pièce sera réparée ou remplacée gratuitement par Maruyama Manufacturing Company, Inc.

### **RESPONSABILITÉS DU PROPRIÉTAIRE LIÉES À LA GARANTIE :**

- (a) En tant que propriétaire de petit moteur hors route, vous êtes tenu de réaliser la maintenance requise indiquée dans votre manuel d'utilisation. Maruyama Manufacturing Company, Inc. vous recommande de conserver tous vos reçus concernant l'entretien de votre petit moteur hors route, toutefois Maruyama Manufacturing Company, Inc. ne saurait refuser la garantie uniquement en l'absence de reçus ou de la non-réalisation de tous les travaux d'entretien programmés. Toute pièce de rechange ou service qui sont de prestations et de durabilité équivalentes peuvent être utilisés dans des interventions d'entretien ou de réparations hors garantie, sans pour autant réduire les obligations de garantie du fabricant du moteur.

- (b) En tant que propriétaire de petit moteur hors route, vous devez néanmoins savoir que Maruyama Manufacturing Company peut vous refuser la couverture de la garantie si la panne de votre petit moteur hors route ou d'une pièce quelconque sont dus à un abus, à une négligence, à un entretien incorrect ou à des modifications non approuvées.
- (c) Vous êtes tenu de présenter votre petit moteur hors route dans un centre de distribution de Maruyama Manufacturing Company, Inc. dès qu'un problème survient. Les réparations sous garantie doivent être réalisées dans un délai raisonnable de 30 jours.

Si vous avez des questions concernant vos droits et obligations liés à la garantie, vous devez contacter Maruyama U.S., Inc. en appelant le n° **1-866-783-7400**.

## COUVERTURE

Maruyama Manufacturing Company, Inc. garantit à l'acheteur initial et aux sous-acquéreurs que le petit moteur hors route sera conçu, fabriqué et équipé, au moment de la vente, en vue de respecter toutes les réglementations en vigueur. Maruyama Manufacturing Company, Inc. garantit également à l'acheteur initial et aux sous-acquéreurs que le petit moteur hors route ne présente aucun vice de matière, ni vice de fabrication susceptibles d'entraver sa conformité aux réglementations en vigueur pendant une durée de deux ans.

L'EPA oblige les fabricants de ce type de moteurs à respecter les réglementations pendant deux ans. Ces périodes de garantie commenceront à la date d'achat du petit moteur hors route par l'acheteur initial. En cas de défectuosité de l'une des pièces de votre moteur liée aux émissions, celle-ci sera remplacée gratuitement par Maruyama Manufacturing Company, Inc.

Maruyama Manufacturing Company, Inc. doit réparer ou remplacer toute pièce défectueuse encore sous garantie dans l'un des centres agréés ou de garantie de Maruyama Manufacturing Company, Inc. Tout travail autorisé effectué dans l'un des centres de distribution agréé ou de garantie doit être gratuit s'il est avéré qu'une pièce sous garantie est défectueuse. Il faut utiliser une pièce de remplacement approuvée par le fabriquant ou équivalente lors d'une intervention de maintenance ou de réparation de pièces liées aux émissions, couvertes par la garantie. Ces interventions seront gratuites si la garantie est toujours valide. Maruyama Manufacturing Company, Inc. sera tenu responsable des dommages aux autres composants du moteur causés par la défaillance d'une pièce encore sous garantie.

EPA considère que les pièces liées aux émissions sous garantie doivent inclure toutes les pièces énumérées ci-dessous. Ces pièces sous garantie sont : **le carburateur, le système d'alumage, le rotor de distributeur, la bougie, le pot catalytique et le réservoir de carburant.**

## MAINTENANCE NÉCESSAIRE

Le propriétaire est tenu de réaliser la maintenance requise telle que définie par Maruyama Manufacturing Company, Inc. dans le manuel d'utilisation.

## LIMITATIONS

Cette garantie du système de contrôle des émissions ne couvrira aucune des conditions suivantes:

- (a) réparation ou remplacement d'une pièce consécutivement à une utilisation abusive ou à une négligence, au manquement à la maintenance requise, à des réparations inappropriées ou à des remplacements non conformes aux caractéristiques techniques de Maruyama Manufacturing Company, Inc. susceptibles d'affecter les performances et/ou la durabilité de l'appareil, et aux ajouts ou modifications non recommandés ni approuvés par écrit par Maruyama Manufacturing Company, Inc., et
- (b) remplacement de pièces et d'autres services, réglages nécessaires dans le cadre de la maintenance requise et après le premier point de remplacement programmé.

# DÉCLARATION DE GARANTIE DU CONTRÔLE DES ÉMISSIONS DE LA CALIFORNIE. DROITS ET OBLIGATIONS DÉRIVÉS DE LA GARANTIE

Le Comité des ressources de l'air de la Californie (CARB), et Maruyama Manufacturing Company, Inc. ont le plaisir d'expliquer la garantie du système de contrôle des émissions concernant votre petit moteur hors route 2013. En Californie, les nouveaux petits moteurs hors route doivent être conçus, construits et équipés en vue de respecter les normes anti-pollution strictes de l'Etat. Maruyama Manufacturing Company, Inc. doit garantir le système de contrôle des émissions concernant votre petit moteur hors route pour la durée indiquée ci-dessus, sous réserve qu'il n'y a pas eu d'abus, de négligence ou d'entretien incorrect de celui-ci.

Votre système de contrôle des émissions doit inclure des pièces telles que le carburateur ou le système d'injection, le système d'allumage, le réservoir de carburant et le pot catalytique. Il doit également inclure les tuyaux flexibles, courroies, et connecteurs, ainsi que les autres systèmes liés aux émissions.

Toute pièce sous garantie de votre petit moteur hors route sera gratuitement réparée par Maruyama Manufacturing Company, Inc., y compris le diagnostic, les pièces et la main d'oeuvre.

## **COUVERTURE DE GARANTIE DU FABRICANT :**

Les petits moteurs hors route modèles 1995 et ultérieurs sont garantis pendant deux ans. En cas de défectuosité d'une pièce de votre moteur liée aux émissions, celle-ci sera réparée ou remplacée par Maruyama Manufacturing Company, Inc.

## **RESPONSABILITÉS DU PROPRIÉTAIRE LIÉES À LA GARANTIE :**

- (a) En tant que propriétaire de petit moteur hors route, vous êtes tenu de réaliser la maintenance requise indiquée dans votre manuel d'utilisation. Maruyama Manufacturing Company, Inc. vous recommande de conserver tous vos reçus concernant l'entretien de votre petit moteur hors route, toutefois Maruyama Manufacturing Company, Inc. ne saurait refuser la garantie uniquement en l'absence de reçus ou de la non-réalisation de tous les travaux d'entretien programmés.
- (b) En tant que propriétaire de petit moteur hors route, vous devez néanmoins savoir que Maruyama Manufacturing Company peut vous refuser la couverture de la garantie si la panne de votre petit moteur hors route ou d'une pièce quelconque sont dus à un abus, à une négligence, à un entretien incorrect ou à des modifications non approuvées.
- (c) Vous êtes tenu de présenter votre petit moteur hors route dans un centre de services Maruyama Manufacturing Company, Inc. dès qu'un problème survient. Les réparations sous garantie doivent être réalisées dans un délai raisonnable de 30 jours.

Si vous avez des questions concernant vos droits et obligations liés à la garantie, vous devez contacter Maruyama U.S., Inc. en appelant le n° **1-866-783-7400**.

## **Pièces du système d'émissions**

### **Émissions d'échappement**

**Carburateur**

**Silencieux**

**Pot catalytique**

**Bobine d'allumage / Magnéto**

**Bougie**

**Filtre à air**

**Soupape RGE (piston)**

**Filtre à carburant**

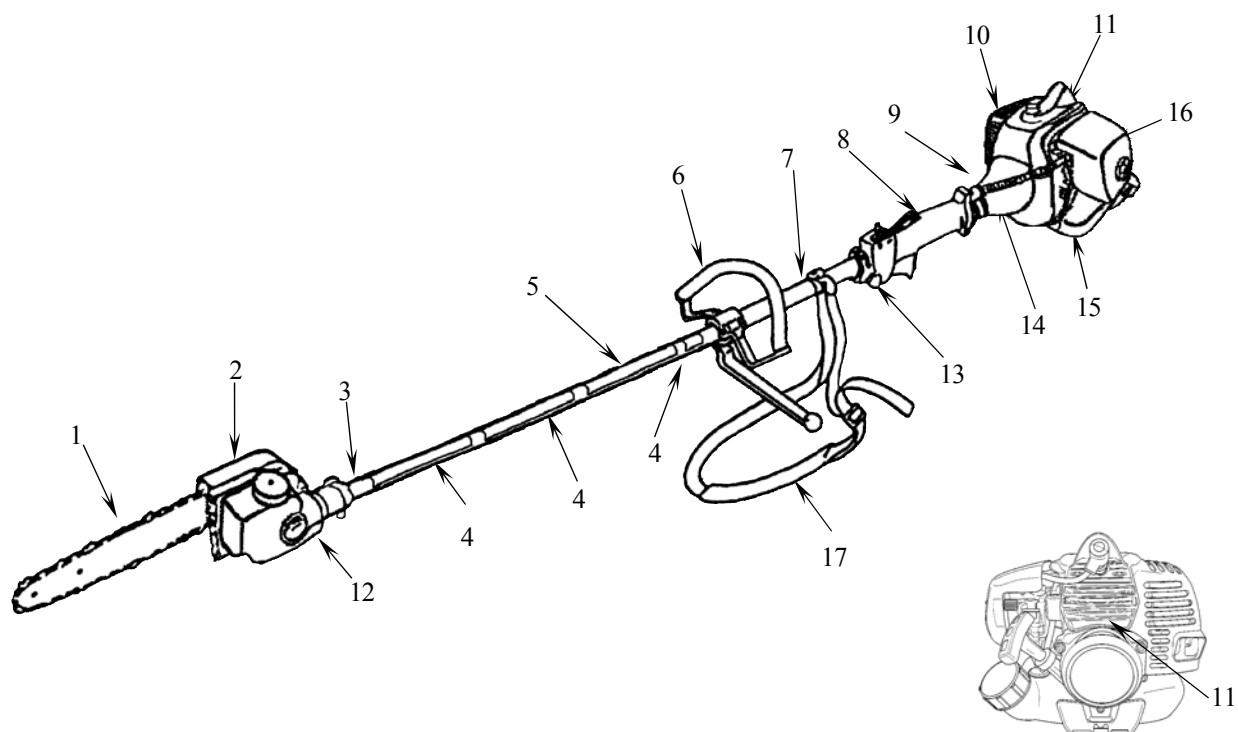
### **Émissions par évaporation**

**Réservoir de carburant**

# Sommaire

	<b>Page FR-</b>		<b>Page FR-</b>
Déclaration de garantie limitée .....	1	Utilisation.....	19
Contrôle des Émissions de l'état Fédéral .....	3	Entretien .....	20
Contrôle des Émissions de la Californie .....	5	Moteur.....	20
Sommaire .....	6	Réglage du ralenti .....	20
Figures .....	7	Filtre à air .....	21
Introduction.....	8	Filtre à essence .....	21
Sécurité .....	8	Bougie .....	22
Sécurité de l'utilisateur .....	8	Intervalle d'entretien.....	22
Sécurité de l'élagueuse .....	9	Entretien de la bougie .....	22
Sécurité du carburant .....	9	Ailettes de refroidissement du cylindre .....	22
Sécurité de fonctionnement de l'élagueuse .....	9	Nettoyage des ailettes de refroidissement	
Étiquettes de sécurité et instructions.....	10	du cylindre .....	22
Montage .....	12	Pare-étincelles .....	23
Assemblage du moteur et de l'arbre		Intervalle d'entretien.....	23
de transmission .....	12	Entretien du pare-étincelles .....	23
Montage de la poignée avant .....	12	Silencieux d'échappement .....	23
Connexion du câbles de la commande des		Intervalle d'entretien.....	23
gaz et des fils du bouton d'arrêt .....	12	Entretien du silencieux .....	23
Installation du guide-chaîne et de la chaîne.....	13	Affûtage de la chaîne .....	24
Montage de l'arbre de transmission.....	14	Réglage du limiteur de profondeur .....	24
Avant toute utilisation .....	14	Entretien du couvre-chaîne .....	25
Huile de la chaîne .....	14	Inspection du pignon.....	25
Huile et carburant.....	15	Carter .....	25
Type d'huile recommandé .....	16	Nettoyage et serrage normaux .....	25
Utilisation d'additifs de carburants.....	16	Remisage.....	26
Mélange d'essence et d'huile.....	16	Dépannage .....	27
Tableau de mélange de carburant .....	17	Période d'entretien .....	27
Instructions de mélange .....	17	Spécifications .....	28
Mise en marche et arrêt.....	18		
Avant de mettre le moteur en marche .....	18		
Mise en marche du moteur à froid.....	18		

# Figures



1. Chaîne et Guide-chaîne
2. Tête d'élagieuse
3. Arbre de transmission
4. Etiquette de sécurité
5. Nom du modèle
6. Poignée avant
7. Anneau de fixation pour la sangle
8. Poignée de l'arbre
9. Carter du tambour d'embrayage

10. Moteur
11. Numéro de série (à l'arrière du moteur)
12. Renvoi d'angle
13. Commande des gaz et bouton d'arrêt
14. Câble de la manette des gaz et câbles du bouton d'arrêt
15. Réservoir de carburant
16. Filtre à air
17. Sangle



# Introduction

Nous vous remercions d'avoir acheté un produit Maruyama. Maruyama, ses distributeurs et ses concessionnaires tiennent à votre complète satisfaction de ce nouveau l'élagueuse. Veuillez contacter votre concessionnaire d'entretien agréé pour toute assistance en matière d'entretien, de pièces Maruyama d'origine ou pour tout renseignement dont vous pourriez avoir besoin. Que vous contactiez votre concessionnaire agréé ou l'usine, prévoyez le numéro de modèle et de série du produit. Ce numéro aidera le concessionnaire ou le représentant à vous donner les informations exactes relatives à votre produit. Vous trouverez le numéro de modèle et de série dans un endroit spécial, sur le produit. (Figures page FR-2). Pour référence ultérieure, notez cette information dans l'espace ci-dessous.

<b>Nom de modèle</b> _____
<b>N° de série</b> _____

Veillez lire attentivement ce manuel afin d'apprendre comment utiliser correctement votre produit. La lecture de ce manuel permettra d'éviter, à vous et aux autres, des accidents corporels et des dommages au produit. Bien que Maruyama conçoive, produise et commercialise des produits sûrs et de pointe, il est de votre responsabilité d'utiliser votre nouveau coupe-bordures correctement et de façon sûre. (Vous être également responsable de la formation sur l'utilisation en toute sécurité par toute personne à qui vous en autoriserez l'utilisation.)

Le système d'avertissement de Maruyama dans ce manuel identifie les dangers potentiels et comprend des messages de sécurité spéciaux permettant d'éviter des blessures, voire la mort. DANGER, AVERTISSEMENT et ATTENTION sont les mots utilisés pour identifier le niveau de danger. Cependant, quel que soit le niveau de danger, soyez extrêmement prudent.

**DANGER** signale un danger extrême à l'origine de blessures graves, voire mortelles, si les précautions recommandées ne sont pas respectées.

**AVERTISSEMENT** signale un danger à l'origine de blessures graves, voire mortelles, si les précautions recommandées ne sont pas respectées.

**ATTENTION** signale un danger à l'origine de blessures mineures ou modérées si les précautions recommandées ne sont pas respectées. Deux autres termes sont également utilisés pour mettre des informations en évidence.

“Important” attire l'attention sur des informations mécaniques spéciales et “Remarque” met l'accent sur des généralités méritant une attention spéciale.

## Sécurité

### Sécurité de l'utilisateur

1. Lisez et assimilez ce manuel du propriétaire/de l'utilisateur avant d'utiliser ce produit. Familiarisez-vous bien avec l'utilisation correcte de ce matériel.
2. Ne laissez jamais des enfants utiliser l'élagueuse. Ce n'est pas un jouet. Ne laissez jamais des adultes utiliser la machine sans qu'ils aient lu le manuel du propriétaire/de l'utilisateur.
3. Portez toujours des lunettes de protection conformes à Z87- 1 de l'ANSI (American National Standards Institute).



4. Portez des protège-oreilles.



5. Portez toujours un pantalon épais, des manches longues, des bottes et des gants. Ne portez jamais de vêtements amples, de bijoux, de shorts, de sandales et ne soyez jamais pieds nus. Arrangez vos cheveux pour qu'ils ne descendent pas en dessous des épaules.
6. N'utilisez jamais ce élagueuse si vous êtes fatigué, malade ou sous l'influence d'alcool, de drogue ou de médicaments.
7. Ne mettez jamais le moteur en marche ou ne le faites jamais tourner dans une salle ou un bâtiment fermé. Respirer des gaz d'échappement peut être mortel.



8. Eviter de salir les poignées avec de l'huile, du carburant ou de la terre.

## Sécurité du élagueuse

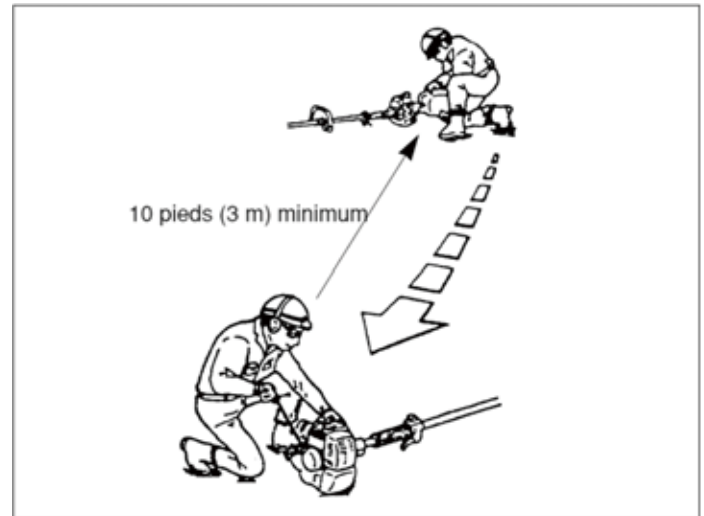
1. Assurez-vous que l'appareil est correctement monté, et l'chaîne et guide-chaîne correctement installé et fermement serré tel qu'indiqué à la section « Montage ».
2. Réviser l'appareil avant chaque utilisation. Remplacez toute pièce endommagée. Recherchez d'éventuelles fuites de carburant. Vérifiez que les pièces de fixation sont en place et correctement serrées. Suivez les instructions de maintenance débutant à la page FR-20.
3. Assurez-vous que l'chaîne et guide-chaîne ne mouvement pas à la vitesse de ralenti. Reportez-vous à la section « Réglage de la vitesse de ralenti », page FR-20.
4. Réviser l'chaîne et guide-chaîne et remplacez toute pièce fissurée, ébréchée ou usé avant d'utiliser l'élagueuse.
5. N'utilisez jamais une chaîne ou une pièce détachée non approuvées par MARUYAMA.
6. Réalisez la maintenance du bloc moteur du multicutter et de ses accessoires selon les procédures et intervalles de maintenance recommandés à la section « Maintenance ».
7. Éteignez l'appareil et attendez que l'chaîne s'immobilise complètement avant d'entreprendre toute opération de révision, de maintenance ou de réparation sur l'élagueuse.
8. En cas de problèmes de fonctionnement ou de vibration excessive, arrêtez immédiatement le moteur et inspectez l'unité pour identifier la cause du problème. Si vous ne parvenez pas à déterminer la cause de la panne ou que vous n'êtes pas en mesure de la réparer, retournez l'élagueuse au distributeur.

## Sécurité du carburant

1. L'essence est hautement inflammable et doit être manipulée et stockée avec précaution. Utilisez un bidon approuvé pour le stockage d'essence et/ou de mélange carburant/huile.
2. Mélangez et versez le carburant à l'extérieur, à l'écart des étincelles et des flammes.
3. Ne fumez pas à côté d'un bidon de carburant ou du Multi-cutter ou lorsque vous utilisez l'élagueuse.
4. Ne remplissez pas trop le réservoir de carburant. Arrêtez le remplissage entre 6 mm et 13 mm (1/4 - 1/2 po) du haut du réservoir.
5. Essuyez tout carburant renversé avant de mettre le

moteur en marche.

6. Éloignez l'élagueuse d'au moins 3 m (10 pieds) de l'emplacement de remplissage en carburant avant de mettre le moteur en marche.



7. Ne retirez pas le bouchon du réservoir de carburant quand le moteur tourne ou immédiatement après l'arrêt du moteur.
8. Laissez le moteur se refroidir avant de refaire le plein.
9. Videz le réservoir de carburant et faites tourner le moteur jusqu'à épuisement du carburant avant de ranger l'appareil.
10. Remisez le carburant et l'élagueuse à l'écart des flammes nues, des étincelles et à l'abri de la chaleur excessive. Assurez-vous que les vapeurs ne peuvent pas atteindre d'étincelles de chauffage, de chaudières, de moteurs électriques, etc.

## Sécurité de fonctionnement de l'élagueuse

1. CETTE ÉLAGUEUSE PEUT PROVOQUER DES BLESSURES GRAVES. Lisez attentivement les instructions. Familiarisez-vous avec les commandes et le fonctionnement de l'élagueuse.
2. L'élagueuse est conçue pour couper du bois et elle est donc potentiellement dangereuse. Une utilisation incorrecte ou imprudente peut entraîner des blessures graves, voire la mort.
3. Cette élagueuse peut conduire de l'électricité. Ne l'utilisez pas là où il existe un risque de contact avec les circuits électriques sous tension. Ne l'utilisez jamais à proximité des lignes et sources électriques. Le non-respect de cette consigne peut entraîner des blessures graves ou la mort.

4. Prévoyez la direction de chute des éléments qui sont en train d'être coupés. Ne restez pas sous un matériau qui va tomber.
5. Inspectez votre zone de travail avant de commencer. Débarrassez la zone de travail des objets tels que des morceaux de verre, clous, fils de fer et cailloux que l'élagueuse pourrait transformer en projectiles dangereux. Retirez les ficelles, cordes ou matériaux similaires susceptibles de s'emmêler sur la tête de l'élagueuse.
6. Cet appareil peut projeter des objets et couper. Ne laissez pas les enfants, passants et animaux s'approcher de la zone de travail à moins de 15 m (50 pieds). Même au-delà de cette distance, il existe toujours un risque que les passants soient atteints par la projection d'un objet. Il est recommandé que les passants portent des lunettes de sécurité. Un objet projeté peut faire un ricochet. (Reportez-vous à la section « Sécurité de fonctionnement du taille-bordures »)
7. Arrêtez le moteur et la rotation de la tête de l'élagueuse si quelqu'un s'approche de vous lorsque vous travaillez avec l'appareil.
8. Utilisez uniquement l'élagueuse à la lumière du jour ou sous un éclairage artificiel adéquat.
9. Ne mettez ni les mains, ni les pieds près ou sous les pièces en mouvement. Maintenez à tout moment votre corps éloigné de ces pièces. Maintenez toutes les parties de votre corps éloignées de la tête de l'élagueuse en mouvement et des surfaces chaudes telles que le silencieux.
10. Demeurez bien campé sur vos jambes et gardez votre équilibre. N'adoptez pas de position forcée.
11. Utilisez les accessoires corrects. N'utilisez pas l'élagueuse pour un travail qui n'est pas recommandé par MARUYAMA.

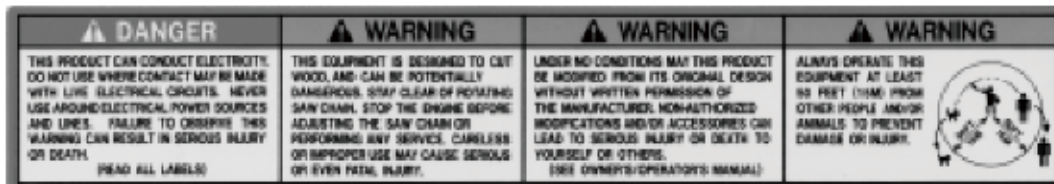
# Étiquettes de sécurité et instructions



Les étiquettes de sécurité et instructions sont facilement visibles par l'utilisateur et sont situées près de toute zone de danger potentiel. Remplacez toute étiquette endommagée ou perdue.



**SUR LE ARBRE**  
(Pièce No.221501)



**SUR LE ARBRE**  
(Pièce No.221529)

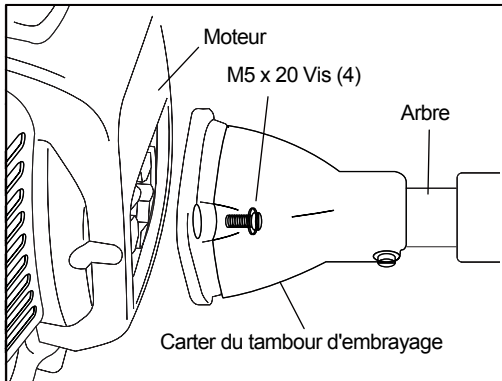


**SUR LE ARBRE**  
(Pièce No.219937)

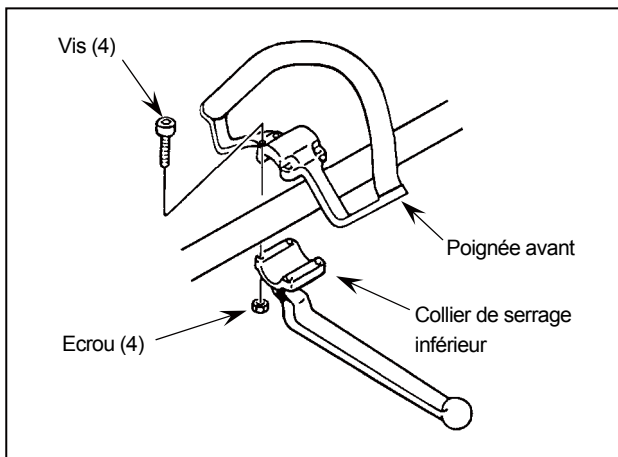
# Montage

## Assemblage du moteur et de l'arbre de transmission

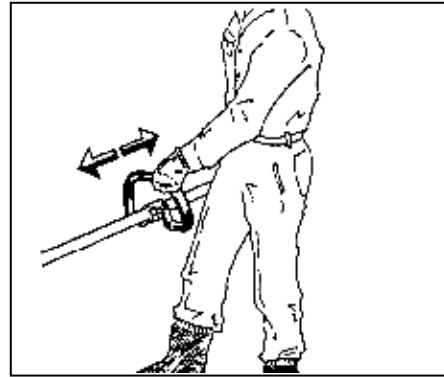
Assembler le carter d'embrayage au moteur à l'aide des quatre vis fournies.



## Montage de la poignée avant



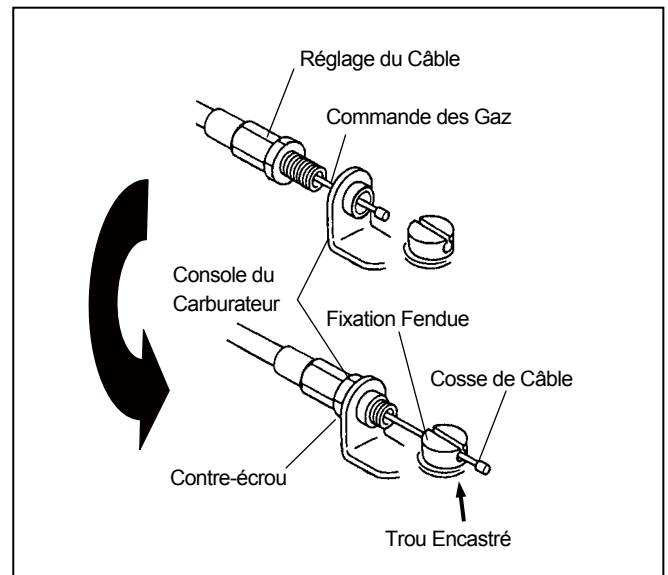
1. Placez l'poignée avant et le collier de serrage inférieur sur le puits environ 9 pouces (22.8 centimètres) à partir de la fin du Commande des gaz et bouton d'arrêt d'urgence pour une position de poignée initiale.
2. Installez les quatre vis et les ecrou. Quittez les vis étanchées au doigt.
3. Remplacez l' poignée avant en haut ou en bas l'arbre de transmission à la position la plus confortable, mais pas plus près que 9 pouces (22.8 centimètres) à partir de la fin du changement d'arrêt.



4. Serrez les vis et les ecrou.

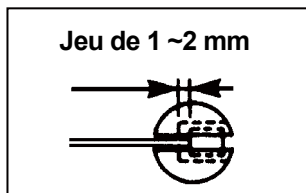
## Connexion du câbles de la commande des gaz et des fils du bouton d'arrêt

1. Insérer le câble de la commande des gaz à travers la console du carburateur, puis vissez le manchon du dispositif de réglage du câble à fond sur la console du carburateur.
2. Positionner la fixation fendue sur le carburateur de manière à ce que le trou encastré pour la cosse de câble soit loin du manchon du dispositif de réglage du câble.
3. Faire pivoter la came de la commande des gaz du carburateur et glisser le câble de la commande des gaz dans la fente de la fixation fendue en vérifiant que les cosses de câbles se placent dans le trou encastré.

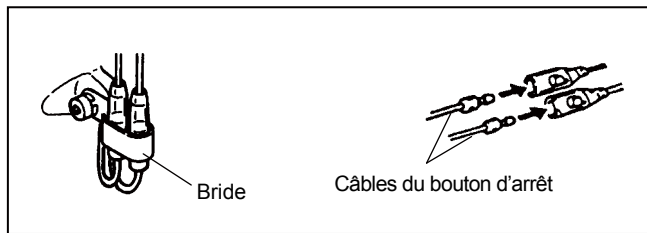


4. Actionner plusieurs fois la gâchette d'accélération pour vérifier qu'elle fonctionne correctement.

5. Ajuste el manguito de ajuste del cable de modo que la leva del acelerador del carburador contacte exactamente con la parada del acelerador y la posición del cable mantenga una holgura de 1-2 mm entre la orejeta del cable y el tornillo al apretar el acelerador hasta el fondo.



6. Serrer le contre-écrou quand le câble de la commande des gaz est réglé correctement.
7. Brancher les fils du bouton d'arrêt sur les connecteurs correspondants du moteur. La polarité des fils est importante.
8. Enroulez et fixez le contacteur de mise en route et ses connections avec une bride.



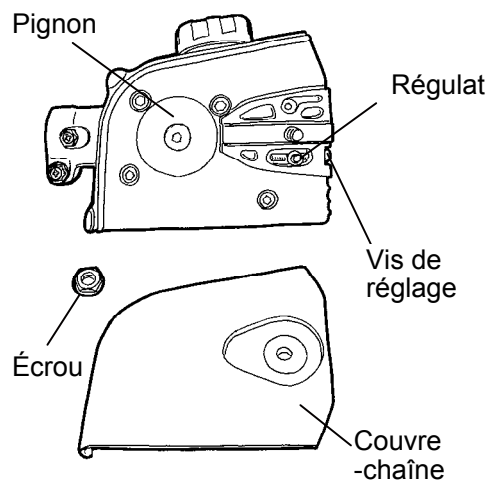
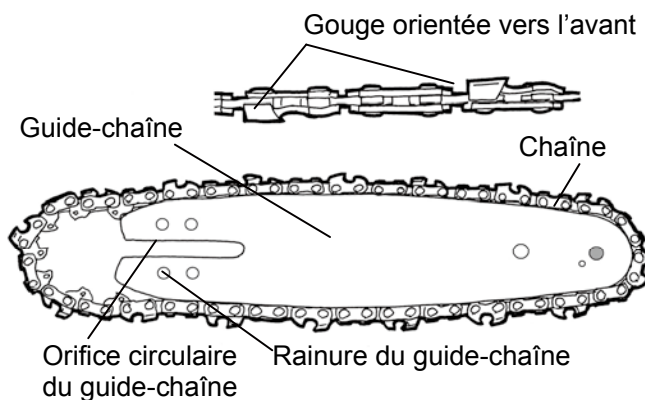
9. Réassemblez le couvercle du filtre.

## Installation du guide-chaîne et de la chaîne

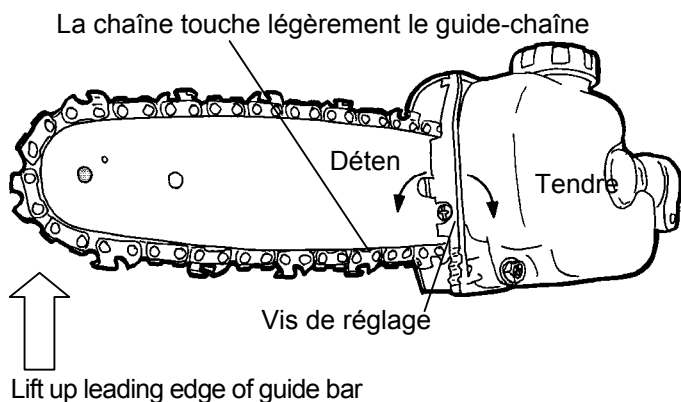
### ⚠ ATTENTION

- Afin d'éviter tout risque de blessures, portez toujours des gants lors de la manipulation du guide-chaîne et de la chaîne.
- Maintenez à tout moment une tension appropriée de la chaîne.
- En fonctionnement, la chaîne peut facilement dérailler si elle n'est pas suffisamment tendue.
- La chaîne et l'embrayage peuvent s'user plus rapidement si le guide-chaîne est trop tendu.

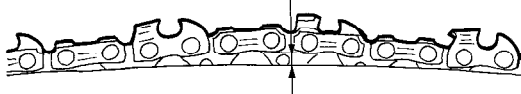
1. Insérez la chaîne dans la rainure du guide-chaîne en vous assurant d'orienter les gouges (éléments tranchants de la chaîne) vers l'avant.



2. Engagez la chaîne sur le pignon.
3. Insérez la rainure du guide-chaîne dans l'unité principale de la scie à chaîne et ajustez la vis de réglage en vous assurant de vérifier que le régulateur est bien inséré dans l'orifice circulaire du guide-chaîne.
4. Installez le couvre-chaîne et vissez-le provisoirement en utilisant un écrou, de façon que le guide-chaîne puisse être déplacé.
5. Soulevez le bord d'attaque du guide et, à l'aide d'un tournevis, tournez la vis de réglage dans le sens horaire jusqu'à ce que la chaîne touche légèrement le côté inférieur du guide-chaîne.
6. Vissez fermement l'écrou du couvre-chaîne au moyen d'une clé à douille, fournie avec la scie à chaîne.
7. Vérifiez si la chaîne peut être soulevée avec les doigts dans la partie centrale du guide-chaîne, en l'éloignant de 3 à 4mm du guide-chaîne.

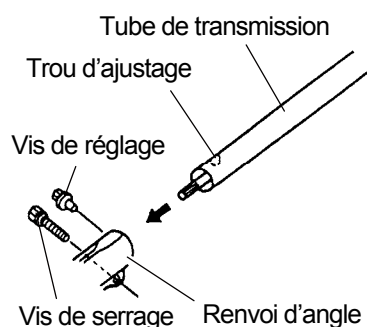


Il se soulève de 3 à 4 mm lorsqu'il est légèrement soulevé avec les doigts

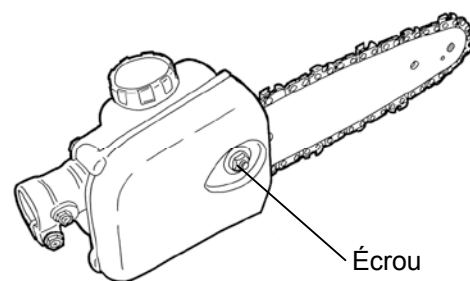


## Montage de l'arbre de transmission

Assembler le tube de transmission au renvoi d'angle du tronçonneuse.



**REMARQUE:** Insérer le tube de transmission dans le renvoi d'angle de l'élément tronçonneuse tout en faisant tourner l'arbre de transmission pour engager les cannelures. Aligner les trous d'ajustage et mettre en place la vis de réglage dans le côté du renvoi d'angle. Puis serrer les vis de serrage.



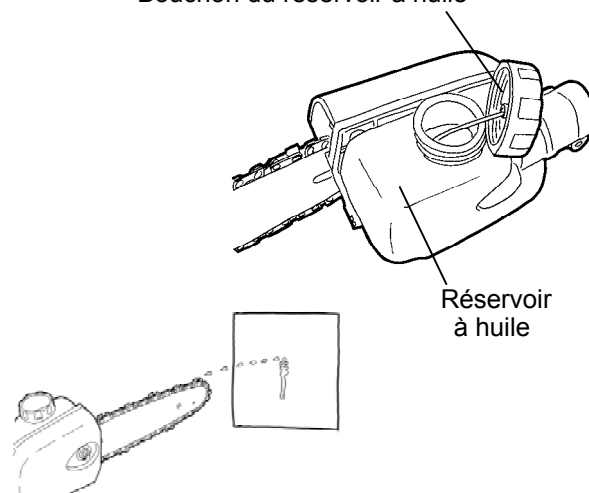
## Avant toute utilisation

### Huile de la chaîne

#### Ajout d'huile

1. Retirez le bouchon du réservoir à huile et versez l'huile de chaîne (SAE #10W-30) dans le réservoir.
2. Ensuite, vissez fermement le bouchon du réservoir à huile.

Bouchon du réservoir à huile



### **⚠ DANGER**

- Assurez-vous que le guide-chaîne et la chaîne sont installés sur la scie à chaîne avant de vérifier la vitesse d'évacuation de l'huile de chaîne. Le rotor sera exposé et par conséquent, dangereux si le guide-chaîne et la chaîne ne sont pas installés sur la scie à chaîne.

## **⚠ ATTENTION**

- L'évacuation de l'huile peut prendre du temps lorsque l'huile est versée dans un réservoir vide. Dans de telles circonstances, ne à grande vitesse.
- En cas de chaîne neuve, baignez-la dans de l'huile de chaîne pendant l'installer sur la scie à chaîne, ou versez l'huile directement sur la après que celle-ci a été installée sur la scie à chaîne. Si la chaîne correctement lubrifiés, la scie à chaîne risque de se gripper.

La vis de réglage n'a que trois positions : Minimum, Moyen et Maximum.

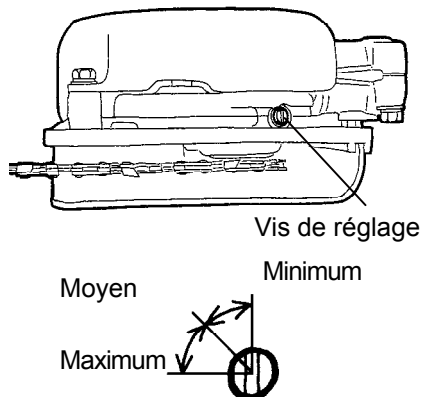
La scie à chaîne est paramétrée sur Moyen au moment de l'expédition. Il est recommandé d'utiliser le produit avec ce paramétrage pour une utilisation ordinaire.

- **Increase the discharging rate when cutting hard branches or branches with a lot of resin (pitch), or when the viscosity of the oil is high during winter.**

1. Insérez un tournevis plat dans la vis de réglage située dans la partie inférieure de l'unité principale.
2. Tout en appliquant de la pression avec le tournevis plat, tournez la vis vers la droite (sens horaire) pour réduire la vitesse d'évacuation et vers la gauche (sens antihoraire) pour l'augmenter.
3. Allumez le moteur et tournez la chaîne en orientant le guide-chaîne vers le sol ou un arbre. En cas d'évacuation, l'huile se collera au sol ou à l'arbre.

## **⚠ AVERTISSEMENT**

- **En utilisant la scie à chaîne avec une chaîne trop lâche, la chaîne peut dérailler et provoquer un accident. Vérifiez la tension de la chaîne avant de commencer le travail.**



Assurez-vous de faire tourner la vis en appliquant de la pression avec le tournevis.

## **Huile et carburant**

### **⚠ DANGER**

#### **DANGER POTENTIEL**

- Dans certaines conditions, l'essence est très inflammable et présente de grands risques d'explosion.

#### **CE QUI PEUT SE PASSER**


- Un feu ou une explosion dus au carburant peut vous brûler, brûler les autres et causer des dommages matériels.

#### **COMMENT ÉVITER LE DANGER**

- Utilisez un entonnoir et remplissez le réservoir de carburant à l'extérieur, dans une zone découverte, alors que le moteur est froid. Essuyez tout le carburant qui se serait renversé.
- Ne fumez jamais lorsque vous manipulez un carburant et restez éloigné d'un feu nu ou de tout endroit où le carburant peut être enflammé par une étincelle.
- Ne remplissez pas totalement le réservoir de carburant. Ajoutez le carburant dans le réservoir de carburant jusqu'à atteindre un niveau de 6 mm à 13 mm (1/4 à 1/2 po.) du haut du réservoir. Cet espace vide dans le réservoir permet au carburant de se dilater.
- Stockez le carburant dans un contenant approuvé et ne le laissez pas à la portée des enfants.
- N'achetez jamais plus de 30 jours de réserve de carburant.



1. Ne fumez pas près de carburant.
2. Mélangez et versez le carburant à l'extérieur, dans un endroit éloigné d'étincelles ou de flammes.
3. Éteignez toujours le moteur avant de remettre du carburant. N'ôtez jamais le bouchon du réservoir de carburant alors que le moteur est en marche ou aussitôt après avoir arrêté le moteur.

 **AVERTISSEMENT**

**DANGER POTENTIEL**

- L'essence contient des gaz qui peuvent accumuler de la pression à l'intérieur du réservoir de carburant.

**CE QUI PEUT SE PASSER**

- Du carburant peut être pulvérisé lorsque vous ôtez le bouchon de carburant.

**COMMENT EVITER LE DANGER**

- Ôtez lentement le bouchon d'essence afin d'éviter des blessures dues à la vaporisation d'essence.

4. Ouvrez toujours lentement le bouchon du réservoir d'essence pour libérer petit à petit toute surpression possible à l'intérieur du réservoir.
5. Ne remplissez pas trop le réservoir de carburant. Arrêtez de le remplir à 6 mm-13 mm (1/4-1/2 pouce) du haut du réservoir.
6. Serrez bien le bouchon du réservoir d'essence, après avoir fait le remplissage.
7. Essayez tout carburant renversé avant de démarrer le moteur.
8. Déplacez le coupe-bordures à au moins 3m (10 pieds) du lieu de remplissage et du contenant de carburant, avant de démarrer le moteur.

## Type d'huile recommandé

Pour le mélange de carburant, n'utilisez que de l'huile deux temps Maruyama 50 : 1 ou une huile de qualité élaborée pour les moteurs deux temps à hautes performances, à refroidissement par air.

**IMPORTANT: N'utilisez pas d'huiles certifiées Marine Manufacturer's Association (NMMA) ou BIA. Ces types d'huile moteur deux temps ne comportent pas les additifs convenant aux moteurs deux temps à refroidissement par air et risquent d'endommager le moteur.**

**N'utilisez pas d'huile moteur automobile. Ce type d'huile moteur ne comporte pas les additifs convenant aux moteurs deux temps à refroidissement par air et risque d'endommager le moteur.**

## Type de carburant recommandé

Utilisez de l'essence sans plomb fraîche et propre, y compris de l'essence oxygénée ou reformulée, avec un niveau d'octane supérieur ou égal à 89. Afin d'assurer la fraîcheur de l'essence, ne l'achetez qu'en une quantité nécessaire pour 30 jours. L'utilisation d'essence sans plomb réduit les dépôts dans la chambre de combustion et allonge la durée de vie de la bougie. L'utilisation d'une essence super n'est ni nécessaire ni recommandée.

## Utilisation d'additifs de carburants

**IMPORTANT : N'UTILISEZ JAMAIS DE ALCOOL, DE L'ESSENCE AVEC DE L'ALCOOL CONTENANT PLUS DE 10% D'ALCOOL, POUR NE PAS EN-DOMMAGER LE CIRCUIT D'ALI-MENTATION EN CARBURANT. N'UTILISEZ JAMAIS D'ADDITIFS AUTRES QUE CEUX FABRIQUÉS POUR LA STABILISATION DU CARBURANT LORS DU STOCKAGE, TEL LE STABILISATEUR/CONDITIONNEUR DE MARUYAMA OU UN PRODUIT SIMILAIRE. LE STABILISATEUR/CONDITIONNEUR DE MARUYAMA EST UN STABILISATEUR/CONDITIONNEUR À BASE DE DISTILLAT DE PÉTROLE. MARUYAMA NE RECOMMANDE PAS DE STABILISATEURS À BASE D'ALCOOL TELS QUE L'ÉTHANOL, LE MÉTHANOL OUL'ISOPROPYLE. N'UTILISEZ PAS D'ADDITIFS POUR TENTER D'AMÉLIORER LA PUISSANCE OU LES PERFORMANCES DE LA MACHINES.**

## Mélange d'essence et d'huile

**IMPORTANT: Le moteur utilisé avec ce coupe-bordures est à deux temps. Les pièces mobiles internes du moteur, à savoir, le vilebrequin, les roulements, les paliers des axes de piston et les surfaces de contact entre le piston et la paroi, nécessitent un mélange d'huile avec l'essence pour la lubrification.**

**L'absence d'apport d'huile à l'essence ou le mélange d'huile avec l'essence dans des proportions inadéquates provoquera de graves dégâts au moteur et annule la garantie. Pour le pré-mélange de carburant, utilisez l'huile deux temps Maruyama Premium Mix, ou son équivalent, ISO-L-EGD & JASO FD avec une qualité supérieure minimum de 89 octanes. L'huile 2-temps Maruyama est spécialement formulée pour répondre aux exigences des moteurs 2-temps de haute perfor-**

mance et à faible taux d'émission d'air.  
L'utilisation d'autres huiles peut engendrer des problèmes de maintenance qui ne seront peut-être pas couverts par la garantie.

## Mélange d'essence

Le rapport d'huile est de 50 parties d'essence pour une partie d'huile, soit 50 : 1.



**Remarque:** N'utilisez jamais un rapport de mélange inférieur à 50 : 1, quelles que soient les instructions de mélange figurant sur le bidon d'huile. Un rapport inférieur à 50 : 1 (60 : 1, 80 : 1, 100 : 1, par exemple) réduit la lubrification des pièces internes du moteur et risque d'endommager celui-ci.

## Tableau de mélange de carburant

Essence 50	50:1 huile du 2-cycle
1 gallon	2.6 oz.
2 gallons	5.1 oz.
5 gallons	12.8 oz.
1 liter	20 ml
5 liters	100 ml

## Instructions de mélange

**IMPORTANT:** Ne mélangez jamais l'essence et l'huile directement dans le réservoir d'essence du désherbeur.

1. Mélangez toujours le carburant et l'huile dans un récipient propre approuvé pour l'essence.
2. Marquez le bidon pour l'identifier comme mélange pour l'élagueuse.
3. Remplissez le récipient d'essence sans plomb ordinaire jusqu'à la moitié de la quantité d'essence nécessaire.
4. Ajoutez la quantité correcte d'huile et ensuite le reste d'essence.

5. Fermez le bidon et secouez-le pour mélanger l'huile et l'essence avant de remplir le réservoir du coupe-bordures.
6. Lors du remplissage du réservoir d'essence du désherbeur, nettoyez autour du bouchon pour éviter que la poussière et les débris ne pénètrent dans le réservoir lors du retrait du bouchon.
7. Secouez toujours le bidon de mélange de carburant momentanément avant de remplir le réservoir de carburant.
8. Utilisez toujours un bec verseur ou un entonnoir lors du plein pour éviter un déversement.
9. Ne remplissez le réservoir qu'à 0,6 - 1,2 cm (1/4 - 1/2 po) du haut du réservoir. Évitez de remplir le réservoir jusqu'en haut.

## Mise en marche et arrêt

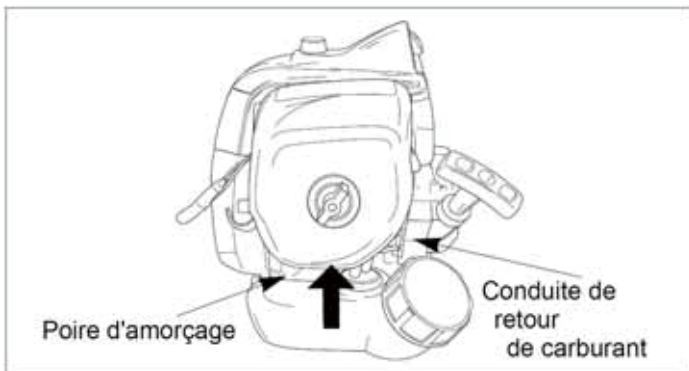
### Avant de mettre le moteur en marche

1. Remplissez le réservoir de carburant comme indiqué au chapitre Avant utilisation de ce manuel. (page FR-9).
2. Mettez le coupe-bordures/débroussaillieur par terre.
3. Assurez-vous que la zone ne comporte pas de verre cassé, de clous, de fils, de clous, de câbles, de cailloux ou d'autres débris.
4. Ne laissez pas les passants, enfants et animaux s'approcher de la zone de travail.

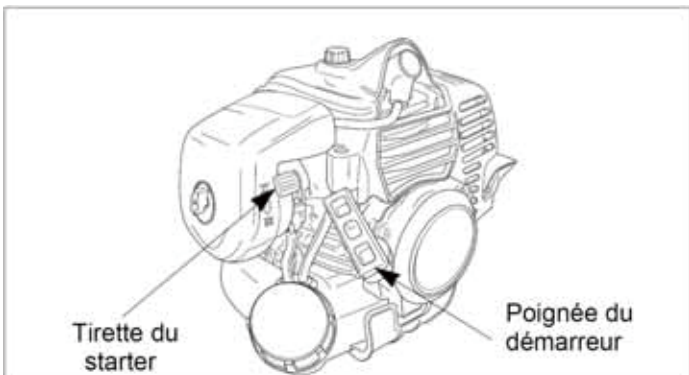
### Mise en marche du moteur à froid

Le carburateur de ce moteur est équipé d'une poire d'amorçage et d'un starter. Pour mettre en marche un moteur "à froid" correctement, veuillez suivre la procédure suivante:

1. Appuyez et relâchez la poire d'amorçage jusqu'à ce que l'essence soit visible et s'écoule dans la conduite de retour d'essence dans le réservoir. (L'essence d'écoulant doit être presque transparente, sans mousse ni pleine de bulles d'air.)



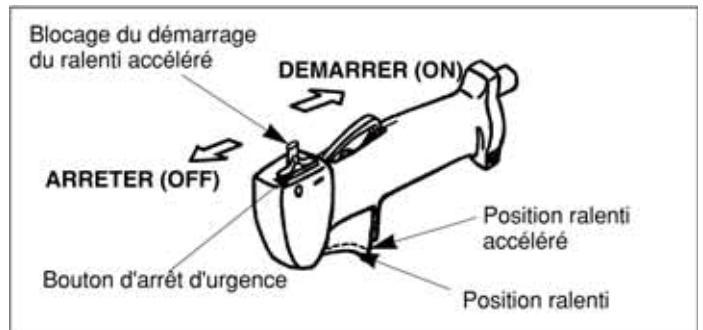
2. Mettez la tirette du starter en position fermée (|→|).



3. Avec le bouton d'arrêt d'urgence sur "ON" et la commande des gaz en position ralenti accéléré, tirez sur la poignée du démarreur.



Quand le moteur tourne, tournez la tirette du starter en position Ouvert (|↑|). Puis serrez et relâchez le câble de la manette des gaz pour lui permettre de retourner en position de ralenti. Si le moteur s'arrête de tourner avant que vous mettiez la manette des gaz en position ouvert : Ouvrez le starter, tirez sur la poignée du démarreur, tout en maintenant le câble de la manette des gaz en position ralenti accéléré.



# Utilisation

## ⚠ DANGER

- Ne restez pas sous la branche qui va être coupée. La branche peut tomber directement, rebondir sur d'autres branches ou au sol dans une direction inattendue et blesser le travailleur.
- Ne laissez personne s'approcher à la zone de travail, dans un rayon de 15 mètres.
- Le sécateur n'est pas protégé contre les décharges électriques. Lorsque vous travaillez, maintenez-le éloigné des lignes électriques d'au moins 15 mètres, puisqu'il y a un risque d'électrocution.

## Position de travail

1. Choisissez une position de travail où l'inclinaison de la perche soit de 60 degrés ou moins.
2. Commencez par couper les branches basses de sorte qu'elles tombent plus facilement.
3. Les branches coupées peuvent tomber en direction du travailleur, assurez-vous de choisir un emplacement permettant une position de travail sûre et offrant des voies d'évacuation faciles en cas d'urgence.

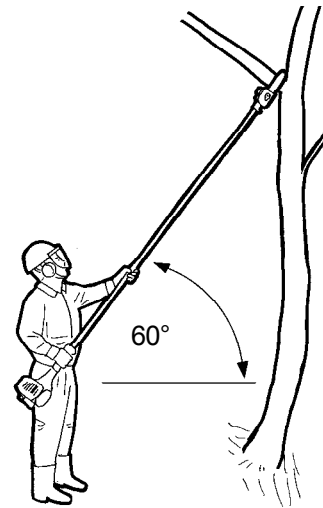
## ⚠ AVERTISSEMENT

- Lorsque vous travaillez, portez un casque, des lunettes et des gants de sécurité, ainsi qu'une protection auditive. En outre, portez un masque antipoussières en présence de grandes quantités de pollen ou de sciures, susceptibles de nuire à votre santé.

## Coupe de bois

1. Mettez la scie à chaîne en position pleins gaz et appuyez la chaîne légèrement contre le bois à couper.

2. La capacité de coupe se réduit lorsque les révolutions du moteur ralentissent et lorsque vous forcez la chaîne sur le bois. *against the wood.*

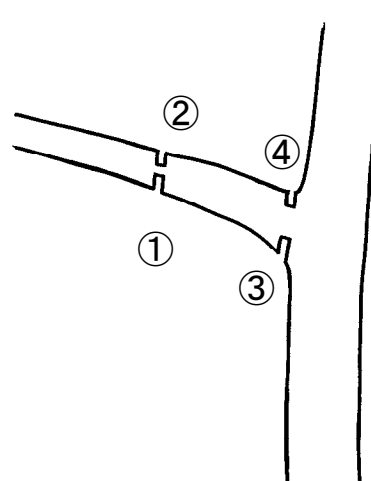


## IMPORTANT!

- Forcer la scie à chaîne sur le bois non seulement fatigue l'opérateur mais accélère également l'usure de la chaîne et du guide-chaîne.
- Si la coupe n'est possible qu'en forçant la chaîne sur le bois, cela indique que la chaîne est désaffûtée. Dans ce cas, aiguissez-la ou remplacez-la par une chaîne neuve.

## Élagage des branches épaisses

Si vous essayez de couper une branche épaisse d'une seule fois, le guide-chaîne tend à se gripper dans la branche ou la coupe devient très laborieuse. La méthode décrite ci-après facilite la coupe de branches épaisses :



1. Tout d'abord, coupez une section légèrement éloignée et située sur la partie inférieure de la zone souhaitée de la branche.
2. Puis, coupez la partie supérieure de la branche.
3. Ensuite, coupez la partie inférieure de la zone de la branche à couper.
4. Enfin, coupez la partie supérieure de la branche ciblée, jusqu'à ce qu'elle tombe.

### IMPORTANT!

**Si le guide-chaîne ou la chaîne se grippent dans la branche, ne les forcez pas. Élargissez la coupe en utilisant une cale pour retirer la scie à chaîne et essayez de la couper ultérieurement. En forçant la scie à chaîne, vous risquez d'endommager son unité principale et de provoquer une panne.**

### Réglages de la tension de la chaîne

#### AVERTISSEMENT

- Lorsque vous utilisez la scie à chaîne, assurez-vous d'éteindre le moteur avant d'effectuer toute inspection ou réglage.
- Après l'utilisation de la scie à chaîne, n'effectuez aucun réglage sur le guide-chaîne ou la chaîne. Laissez-la refroidir avant de procéder aux réglages.

1. Tournez l'écrou du couvre-chaîne une fois pour la desserrer.
  2. Soulevez le bord d'attaque du guide-chaîne et tournez la vis de réglage pour tendre la chaîne.
- Tournez la vis dans le sens horaire pour tendre la chaîne, et dans le sens contraire pour la relâcher.
3. Remettez fermement l'écrou du couvre-chaîne en place.
  4. Vérifiez si la chaîne peut être soulevée avec les doigts dans la partie centrale du guide-chaîne, en l'éloignant de 3 à 4 mm du guide-chaîne.

## Entretien

L'entretien, le remplacement ou la réparation des dispositifs et des systèmes de contrôle des émissions peuvent être effectués par tout établissement de réparation ou particulier, cependant, les réparations sous garantie doivent être effectuées par un concessionnaire ou un centre d'entretien agréé par Maruyama Manufacturing Company, Inc. L'utilisation de pièces qui ne sont pas équivalentes en performance et durabilité aux pièces homologuées risque de compromettre l'efficacité du système de contrôle de la pollution d'avoir une incidence sur le résultat d'une réclamation sous garantie..

## Moteur

### Réglage du ralenti

Ce élagueuse est équipé d'un carburateur de mélange de carburant non réglable. La vitesse de ralenti du moteur est le seul réglage effectué par l'utilisateur.

#### AVERTISSEMENT

##### DANGER POTENTIEL

- Pour effectuer les réglages du carburateur, le moteur doit être en marche.
- Lorsque le moteur est en marche, la tête rotative tourne et les autres pièces sont en mouvement.

##### QUE PEUT-IL SE PASSER

- Entrer en contact avec la tête rotative ou d'autres pièces en mouvement peut causer des blessures corporelles graves ou même la mort.

##### COMMENT EVITER LE DANGER

- Tenez toujours les mains, les pieds et les vêtements loin de la tête rotative et des autres pièces mobiles.
- Lorsque vous effectuez des réglages du carburateur, éloignez les spectateurs et les animaux de la machine.

La tête rotative peut tourner au cours du réglage du ralenti. Veuillez porter l'équipement de protection individuelle recommandé et suivre toutes les instructions de sécurité. Gardez vos mains et votre corps loin de la tête rotative.

Lorsque la manette des gaz est libérée, le moteur doit revenir à une vitesse de ralenti comprise entre 2700 et 3300 r/min ou juste en-dessous de la vitesse d'engagement de l'embrayage.



Quand le moteur est au ralenti, la tête rotative ne doit pas tourner et le moteur ne doit pas caler (doit s'arrêter de marcher). Pour régler le ralenti du moteur, faire tourner la vis de réglage du ralenti sur le carburateur.

- Tournez la vis de ralenti vers l'intérieur (dans le sens des aiguilles d'une montre) pour augmenter la vitesse de ralenti du moteur.
- Tournez la vis vers l'extérieur (dans le sens contraire des aiguilles d'une montre) pour diminuer la vitesse de ralenti du moteur.

**Si un réglage du ralenti est nécessaire, et si après le réglage, la tête rotative tourne toujours ou si le moteur cale, arrêtez immédiatement d'utiliser l'élagueuse!**

Contactez votre concessionnaire agréé Maruyama local pour assistance et entretien.

## Filtre à air

### Intervalle d'entretien

- Le filtre à air doit être nettoyé tous les jours plus souvent en cas de travail dans des conditions extrêmement poussiéreuses.
- Remplacez-le après 100 heures d'utilisation.

### Nettoyage du filtre à air

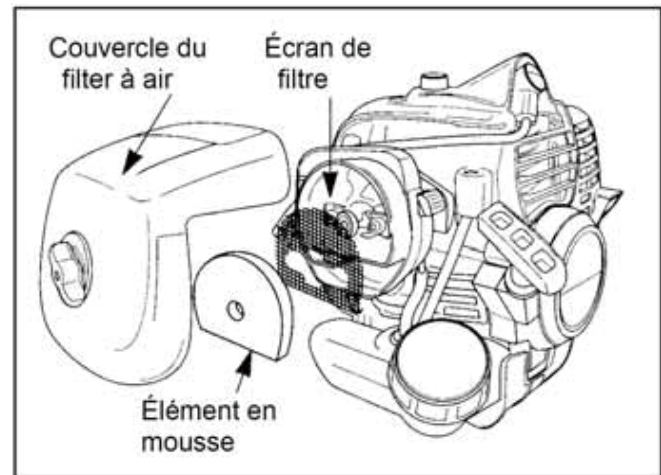
1. Desserrez le bouton et retirez le couvercle du filter à air.

2. Otez l'élément en mousse et l'écran de filtre.

3. Nettoyez l'élément en mousse avec de l'eau chaude savonneuse. Laissez-le sécher complètement.

4. Appliquez une couche légère d'huile de moteur SAE 30 sur l'élément en mousse et pressez celui-ci pour en ôter tout l'excès d'huile.

5. Réassemblez l'écran de filter, l'élément en mousse et le couvercle du filtre.



## Filtre à essence

### Intervalle d'entretien

Le filtre à essence doit être remplacé après 100 heures d'utilisation.

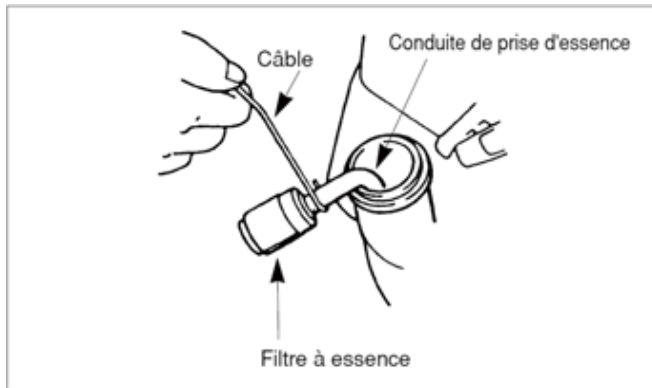
### Remplacement du filtre à essence

Le filtre à essence est fixé à l'extrémité de la conduite de prise d'essence dans le réservoir de carburant.

Pour remplacer le filtre à essence:

1. Assurez-vous que le réservoir d'essence est vide.
2. Retirez le bouchon d'essence.
3. À l'aide d'un fil de fer croché, retirez avec précaution le filtre à essence par son ouverture.
4. Saisissez la conduite d'essence à côté du raccord du filtre à carburant et retirez le filtre, sans relâcher la conduite.
5. Tout en tenant la conduite d'essence, fixez le filtre à carburant neuf.

6. Remettez en place le filtre à essence dans le réservoir de carburant.
7. Assurez-vous que le filtre à essence n'est pas coincé dans un coin du réservoir et que la conduite d'essence n'est pas vrillée avant de remplir le réservoir.



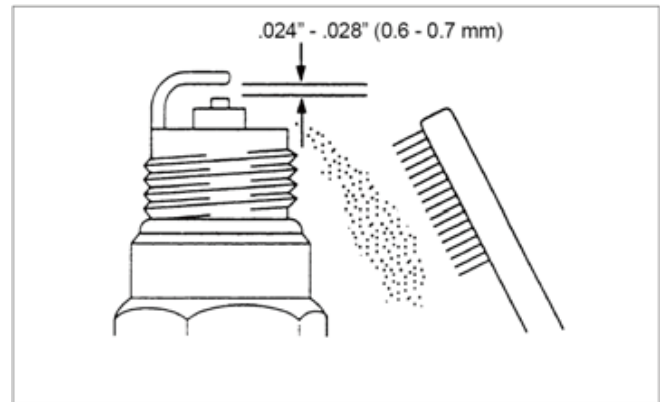
## Bougie

### Intervalle d'entretien

- La bougie doit être retirée du moteur et vérifiée toutes les 25 heures d'utilisation.
- Remplacez la bougie toutes les 100 heures d'utilisation.

### Entretien de la bougie

1. Le moteur étant à température ambiante, tournez le capuchon du conducteur haute tension de la bougie plusieurs fois d'avant en arrière pour le desserrer, retirez-le ensuite de la bougie.
2. Retirez la bougie.
3. Une fois la bougie retirée, les électrodes peuvent être nettoyées avec une brosse dure.
4. Réglez l'écartement des électrodes entre 0,6 et 0,7 mm (0,024- 0,028 po).
5. Remplacez la bougie si elle est salie d'huile, endommagée ou si les électrodes sont usées.
6. Ne serrez pas trop la bougie en la posant. Le couple de serrage est de 10,7- 16,6 N•m (95- 148 po lb).



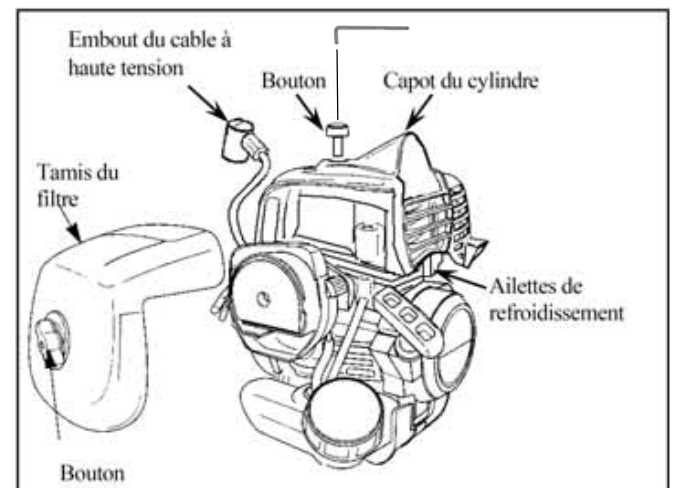
## Ailettes de refroidissement du cylindre

### Intervalle d'entretien

- Les ailettes de refroidissement doivent être nettoyées toutes les 25 heures de fonctionnement ou une fois par semaine, à la première des échéances.
- L'air doit s'écouler librement dans et autour des ailettes de refroidissement afin d'éviter une surchauffe du moteur. L'accumulation de feuilles, d'herbe, de poussière et de débris sur les ailettes augmente la température de fonctionnement du moteur, ce qui en réduit les performances et la durée de vie.

### Nettoyage des ailettes de refroidissement du cylindre

1. Lorsque le moteur est à température ambiante, desserrez le bouton et ôtez le couvercle de filtre à air.



2. Tournez l'embout du câble à haute tension attaché à la bougie de gauche à droite à plusieurs reprises, pour le décoincer et détachez l'embout de la bougie.
3. Desserrez le bouton et levez le capot du cylindre.
4. Nettoyez toute la poussière et tous les débris des ailettes de refroidissement et autour de la base du cylindre.
5. Réinstallez les capots du cylindre et Tamis du filtre.

## Pare-étincelles

### AVERTISSEMENT

#### DANGER POTENTIEL

- La surface du silencieux devient chaude quand le coupe-bordure fonctionne et elle reste chaude pendant encore quelques temps après que le moteur est arrêté.

#### CE QUI PEUT SE PASSER

- Entrer en contact avec les surfaces chaudes d'un silencieux peut causer des brûlures.

#### COMMENT EVITER LE DANGER

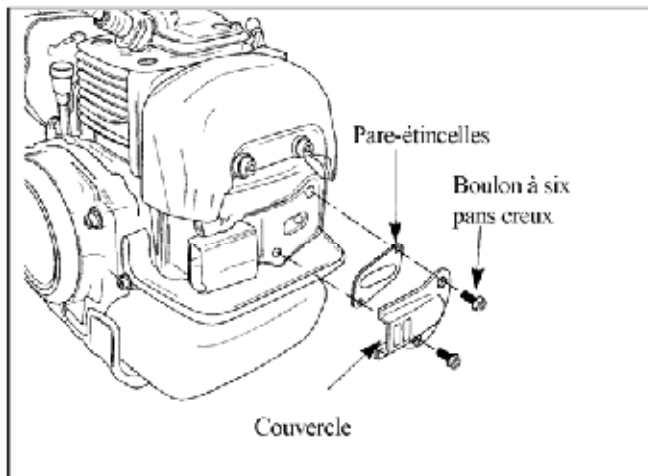
- Assurez-vous que le silencieux est refroidi avant de vérifier et de nettoyer le pare-étincelles.

## Intervalle d'entretien

- Le pare-étincelles doit être vérifié et nettoyé après 25 heures d'utilisation.
- Remplacez le tamis s'il ne peut être totalement nettoyé ou s'il est endommagé.

## Entretien du pare-étincelles

1. Lorsque le moteur est à température ambiante, desserrez le bouton et ôtez le couvercle de filtre à air.
2. Tournez l'embout du câble à haute tension attaché à la bougie de gauche à droite à plusieurs reprises, pour le décoincer et détachez l'embout de la bougie.



3. Desserrez le bouton et levez le capot du cylindre.
4. Ôtez le couvercle, le joint et le pare-étincelles et nettoyezles avec une brosse dure et un solvant de nettoyage. Remplacez les pièces qui ne peuvent plus être nettoyées.
5. Réinstallez le pare-étincelles et le couvercle sur le silencieux, et vissez et serrez les deux boulons à six pans creux.
6. Réinstallez les capots du cylindre et Tamis du filtre.

## Silencieux d'échappement

### Intervalle d'entretien

Le silencieux doit être vérifié et nettoyé toutes les 100 heures d'utilisation.

### Entretien du silencieux

1. Lorsque le moteur est à température ambiante, desserrez le bouton et ôtez le couvercle de filtre à air.
2. Tournez l'embout du câble à haute tension attaché à la bougie de gauche à droite à plusieurs reprises, pour le décoincer et détachez l'embout de la bougie.
3. Desserrez le bouton et levez le capot du cylindre.
4. Ôtez le pare-étincelles (voir Entretien du pare-étincelles), et nettoyez le silencieux avec une brosse dure.

### IMPORTANT

**Ne jamais utiliser un solvant pour le nettoyage**



de l'intérieur du silencieux, afin de ne pas abimer le pot catalytique dans le silencieux.

Faite attention à ne pas laisser rentrer de débris ou de la poussière dans la lumière d'échappement. Cela pourrait abimer le moteur.

5. Réinstallez le pare-étincelles et le couvercle sur le silencieux, et vissez et serrez les deux boulons à six pans creux.

6. Réinstallez les capots du cylindre et Tamis du filtre.

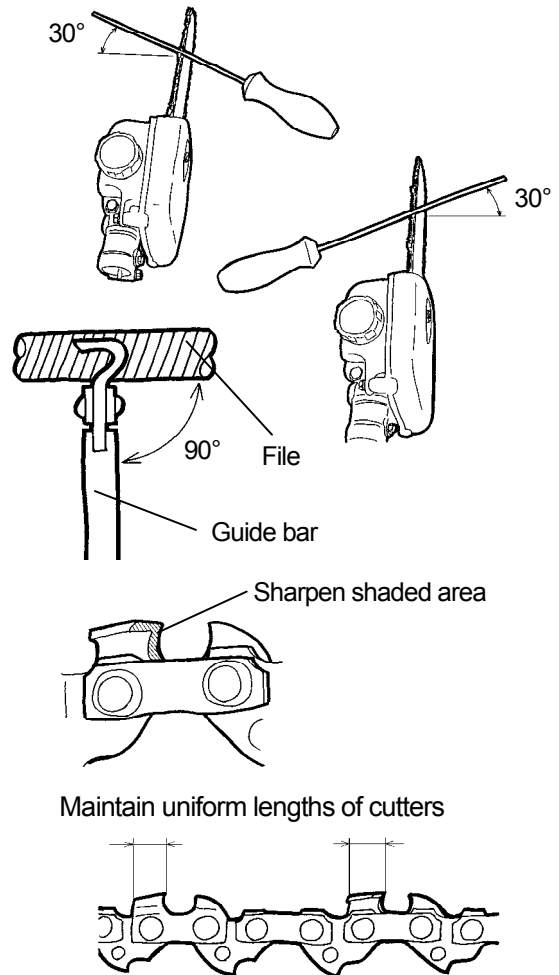
## Affûtage de la chaîne

Si les copeaux deviennent petits et fins ou si la coupe de bois n'est possible qu'en forçant la scie à chaîne sur le bois, il est peut-être nécessaire d'affûter la chaîne.

1. Tendez la chaîne un peu plus fermement que d'habitude, puis disposez l'unité principale de la scie à chaîne dans une position sûre.
2. Placez une lime de 4,0 mm de diamètre sur la gouge et étendez-la 1/5 au-delà de la gouge.
3. Appuyez la lime sur la base de la gouge en formant un angle de 30 degrés à partir de la ligne verticale et limez du côté intérieur vers le côté extérieur de la gouge.
4. Déplacez la lime de sorte à former un angle de 90 degrés vis-à-vis du guide-chaîne.
5. Une fois l'un des côtés de la gouge affûté, aiguissez l'autre. Assurez-vous de maintenir une longueur et un angle uniformes.

### Important !

- L'efficacité de ce travail a un impact considérable sur l'affût de la gouge. Il est recommandé d'affûter les gorges fréquemment.
- Utilisez une lime appropriée pour l'affûtage des gorges de la chaîne



## Réglage du limiteur de profondeur

Le limiteur de profondeur détermine la profondeur de coupe de la gouge dans le bois.

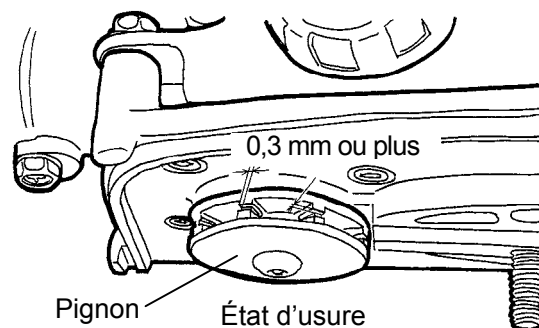
1. Lorsque la longueur de la gouge devient plus courte en raison de l'affûtage, le limiteur de profondeur doit également être coupé.
2. Coupez le limiteur de profondeur en utilisant une lime plate de sorte que le limiteur de profondeur soit dans une position inférieure de 0,64 mm vis-à-vis du bord d'attaque de la gouge.
3. Une fois le limiteur de profondeur coupé, arrondissez l'extrémité du limiteur de profondeur.

### Important !

Assurez-vous de ne pas couper excessivement le limiteur de profondeur, sinon la gouge risque de se détériorer plus rapidement.

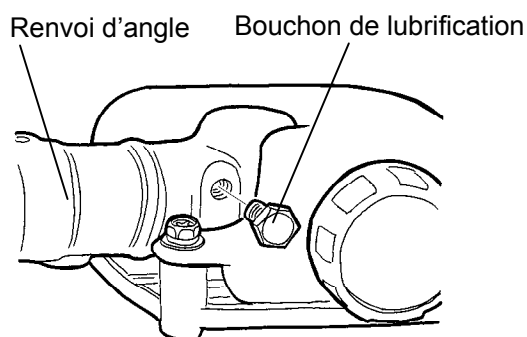
## Inspection du pignon

1. Examinez le pignon afin de vous assurer que la vis n'est pas desserrée ni usée.
2. Si le pignon est usé de 0,3 mm ou plus, tel qu'illustré dans le schéma ci-après, remplacez-le. Si vous continuez à utiliser la scie à chaîne avec le pignon dans une telle condition, vous risquez d'écourter la vie utile de la chaîne.



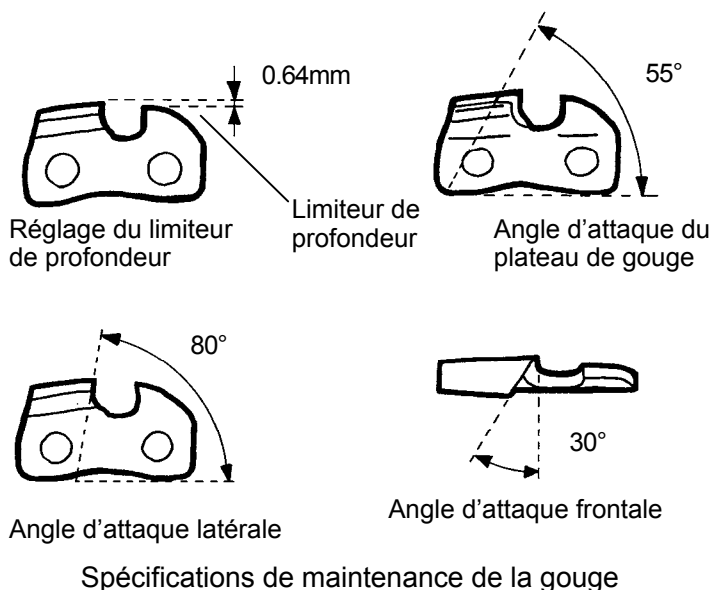
## Carter

1. Retirez le renvoi d'angle du tuyau.
2. Dévissez le bouchon de lubrification et préparez un peu de graisse à base de lithium.
3. Injectez suffisamment de graisse (environ 10 g) de sorte qu'elle déborde l'orifice rainuré, recevant l'arbre de transmission.



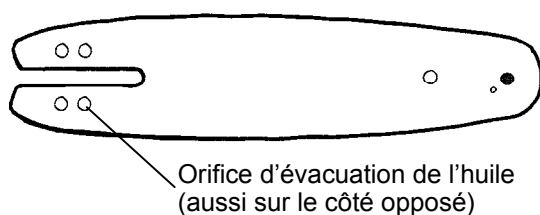
## Nettoyage et serrage normaux

L'élagueuse MARUYAMA fournira une performance maximum pour de nombreuses heures s'il est correctement entretenu.



## Entretien du couvre-chaîne

1. Lorsque vous avez fini de travailler avec la scie à chaîne, retirez le guide-chaîne et la chaîne de la scie à chaîne.
2. Retirez les copeaux ou particules présents dans la rainure du couvre-chaîne ou dans l'orifice de l'huile. Assurez-vous qu'aucune particule n'obstrue l'orifice de l'huile.
3. Retirez les copeaux et particules présents autour de l'orifice d'évacuation de l'huile et du pignon de l'unité principale de la scie à chaîne.



### Important!

- Lors de l'installation du guide-chaîne, changez de temps en temps sa position (installez-le en haut, puis en bas, et vice-versa) pour éviter une usure inégale et prolonger ainsi la vie utile du guide-chaîne.
- Si l'orifice d'évacuation de l'huile est obstrué par des copeaux ou des particules, la chaîne pourrait se gripper.

## **⚠ AVERTISSEMENT**

### **DANGER POTENTIEL**

- **Quand le moteur tourne, le dispositif de coupe tourne et les autres pièces sont en mouvement.**

### **CE QUI PEUT SE PASSER**

- **Entrer en contact avec la tête rotative ou une autre pièce en mouvement peut causer une blessure personnelle grave ou même la mort.**

### **COMMENT EVITER LE DANGER**

- **Éteignez toujours votre coupe-bordures avant de le nettoyer ou de faire des opérations d'entretien.**

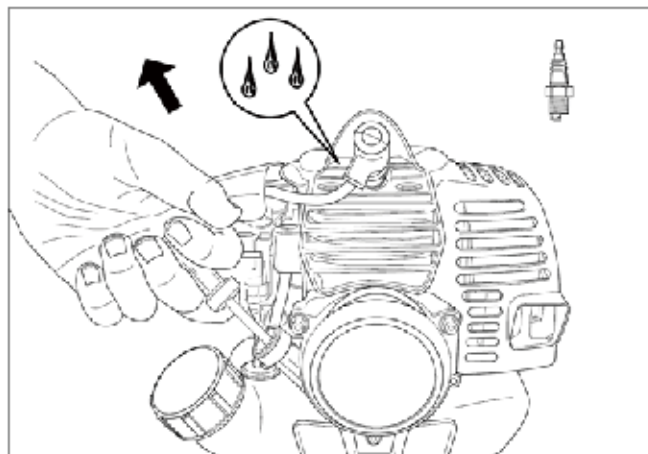
Un bon entretien comprend la vérification régulière du bon serrage de toutes les pièces de fixation et le nettoyage de la machine entière..

## **Remisage**

Pour un remisage à long terme du élagueuse:

1. Videz le réservoir d'essence dans un bidon de stockage de carburant adapté.
2. Pompez la poire d'amorçage sur le carburateur jusqu'à ce que l'essence soit chassée dans la conduite transparente de retour de carburant.
3. Faites tourner le moteur pour retirer le carburant restant dans le carburateur.
4. Effectuez toutes les procédures d'entretien régulier et toutes les réparations nécessaires.
5. Retirez la bougie et appliquez une petite quantité d'huile dans le cylindre.
6. Tirez une fois sur la corde du démarreur.
7. Tirez lentement la poignée du démarreur pour amener le piston en haut du cylindre.
8. Remplacez la bougie.
9. Remisez l'élagueuse dans un endroit sec, à l'abri de

la chaleur excessive, des étincelles ou d'une flamme nue.



## **⚠ AVERTISSEMENT**

### **DANGER POTENTIEL**

- **Lorsque vous tirez sur la poignée du démarreur, de l'huile peut gicler sur l'orifice de bougie.**

### **CE QUI PEUT SE PASSER**

- **L'huile peut causer une blessure aux yeux.**

### **COMMENT EVITER LE DANGER**

- **Protégez vos yeux et n'approchez pas votre visage de l'orifice de bougie.**

# Dépannag

Problème	Cause	Mesure correctrice
Ne moteur ne démarre pas	Le bouton d'arrêt d'urgence "STOP" est sur off (position d'arrêt). Le réservoir d'essence est vide. La poire d'amorçage n'a pas été pressée suffisamment. Le moteur est noyé.	Placez le bouton sur "ON (marche). Remplissez la poire d'essence. Pressez la poire d'amorçage jusqu'à ce que le carburant s'écoule dans la conduite de retour de carburant. Reportez-vous à la procédure de démarrage à chaud.
Le moteur ne fonctionne pas au ralenti	La vitesse du ralenti n'a pas été correctement réglée	Réglez la vitesse du ralenti.
Le moteur manque de puissance ou cale lors de coupe.	La câble de la manette des gaz est desserré. Le filtre à air est sale. Le pare-étincelles est bouché ou l'orifice d'échappement.	Serrez le câble de la manette des gaz. Nettoyez ou remplacez le filtre à air. Nettoyez le pare-étincelles ou l'orifice d'échappement.

## Période d'entretien

Entretien		Quotidien	Toutes les 20 heures	Toutes les 50 heures	Toutes les 100 heures
	Vérifiez et rajoutez de l'essence	●			
	Vérifiez qu'il n'y a pas de fuite d'essence	●			
	Vérifiez que les boulons, écrous et vis sont tous serrés et qu'il n'en manque aucun	●			
	Serrez les boulons et les écrous			●	
■	Nettoyez le filtre à air	●			
	Nettoyez le pare-étincelles et réglez l'écartement des électrodes		●		
■	Retirez la poussière et la saleté des ailettes d'échappement		●		
●	Retirez les résidus de carbone de l'orifice d'échappement			●	
●	Nettoyez le pare-étincelles		●		
	Remplacez le filtre à essence				●
●	Retirez les résidus de carbone de la tête du piston et de la chambre de combustion				●
●	Retirez les résidus de carbone des orifices de transfert				●
	Remplacez le tube de carburant et le joint torique du bouchon du réservoir	C'est recommandé pour remplacer chaque 3 années			

- : L'entretien doit être réalisé par un concessionnaire agréé Maruyama.
- : Effectuez l'entretien plus souvent lors de conditions de fonctionnement poussiéreuses.

**REMARQUE:** Les intervalles d'entretien indiqués doivent être utilisés comme indication. L'entretien sera réalisé plus fréquemment, si nécessaire, selon les conditions d'utilisation. Utilisez l'huile pour moteur deux-temps Maruyama 50:1.

# Spécifications

	<b>P23-10</b>
Poids (lbs)	* <sup>1</sup> 11.9 (5.4kg)
Cylindrée du moteur (cm <sup>3</sup> )	22.5
Anti Vibration	Isolement Double - Poignée et Mont de Moteur
Carburateur	Walbro Type de Diaphragme
Allumage	État solide
Contenance du réservoir d'essence (qts.)	0.53 (0.5ℓ)
l'essence pour huiler ratio	50:1
Bougie	NGK BPM8Y
Écartement de bougie (in.)	.024 -.028 (0.6 - 0.7 mm)
Homologation EPA et CARB	Phase3, Tier 3

## **Durabilité d'émission de 300 heures.**

\*1. Poids sans carburant, Chaîne, Guide-chaîne ni pignon à Sangle.



**Maruyama U.S., Inc.**  
4770 Mercantile Drive,  
suite100,  
Fort Worth, TX 76137 U.S.A.  
Phone 940-383-7400  
Fax 940-383-7466

**[www.maruyama-us.com](http://www.maruyama-us.com)**  
234938-00 US/ES/FR 13.02 TAP/K/Q