

PARTS LIST

MSD51T

CONTENTS

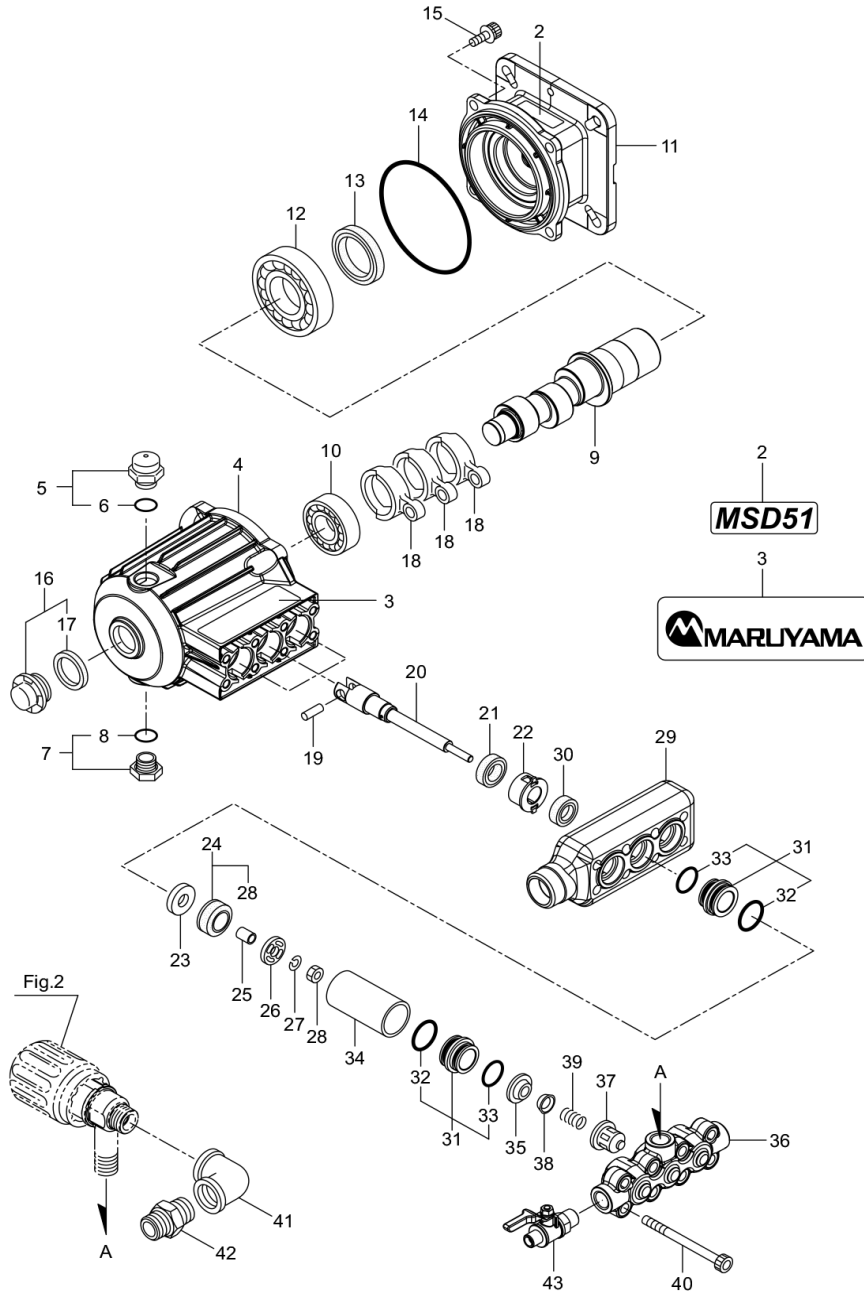
1. PUMP.....	1 ~ 2
2. RELIEF VALVE	3 ~ 4
3. ACCESSORIES	5 ~ 6

2019.06.



P/N 524847

1. MSD51T
PUMP



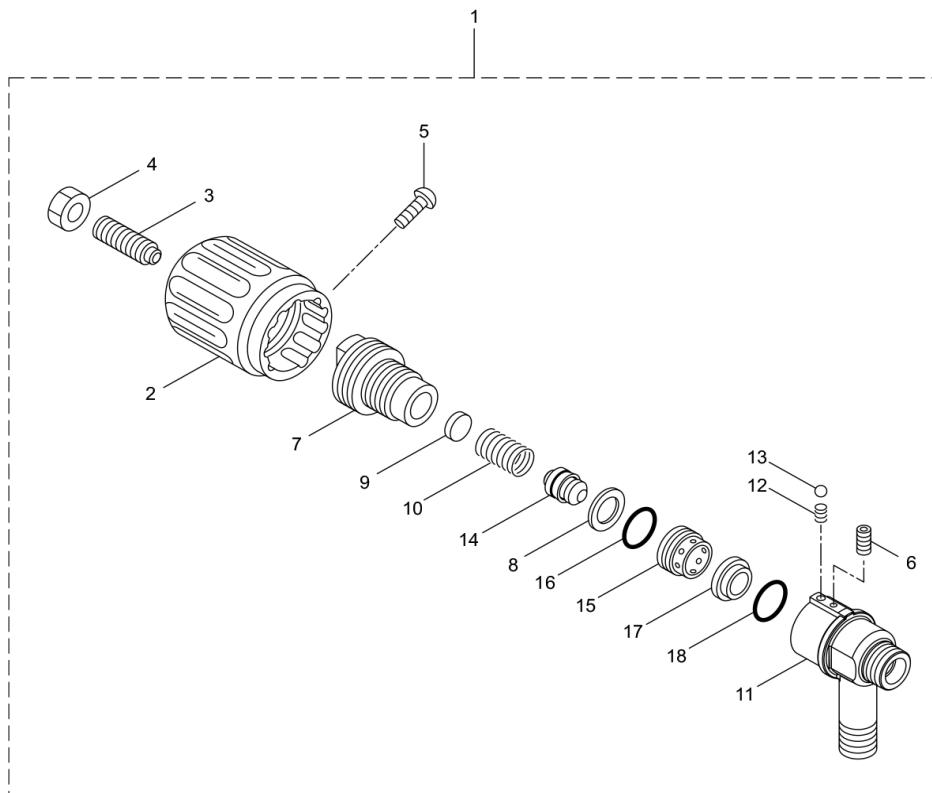
- 1 -

1

Status	Position	Parts Number	Parts Name	Unit Quantity	Set Unit Quantity	Specification	Remarks	Maker code
	1	366551	MSD51T(ASIA)	1				

Status	Position	Parts Number	Parts Name	Unit Quantity	Set Unit Quantity	Specification	Remarks	Maker code
	2	566770		1		MSD51	MSD51	
	3	566347	LABEL	1		マルヤマリコイル		
	4	131417	CRANKCASE	1		P/N049353		
	5	566227	CAP OIL FILLER	1			Incl.6	
	6	566348	O-RING	1	5	P20 1ｼｺA	P20	
	7	811174	PLUG ASSY	1			Incl.8	
	8	566348	O-RING	1	5	P20 1ｼｺA	P20	
	9	661793	CRANK SHAFT	1		ミカ キコード		
	10	049363	BEARING 63/22	1		#63/22	#63/22	
	11	566807		1				
	12	126962	BEARING 6208	1		#6208(KBC)	#6208	
	13	125351	OIL SEAL	1		TC40559(NOK)	TC40559	
	14	014043	O-RING	1		S110	S110	
	15	127285	SCREW	4		M8X25(SMK)	M8x25	
	16	566356	OIL GAUGE	1			Incl.17	
	17	566359	PACKING	1	5	25X34XT2	25x34xt2	
	18	049364	ROD CONNECTING	3				
	19	049366	PIN PISTON	3		10X19.5		
	20	566772		3				
	21	047215	OIL SEAL	3		SC16267		
	22	566776		3				
	23	027813	MACHINED DISC	3		6X24XT3.8	6x24xt3.8	
	24	468469		3		115418+566376	Incl.42	
	25	027499	SPACER(SLEEVE TYPE)	3		6X8.5X11	6x8.5x11L	
	26	566374	RETAINER PISTON	3				
	27	566375	WASHER LOCK	3	5	M6 2ｺﾞウ	M6	
	28	566376	NUT NYLON INSERT	3	5	M6	M6	
	29	566782		1				
	30	566379	U-PACKING	3				
	31	566784		6			Incl.32,33	
	32	043781	O-RING CYLINDER	6	5	24.2X2.3	24.2x2.3	
	33	566384	O-RING	6	5	P22	P22	
	34	103954	CYLINDER PIPE	3		28.5X32X56ｼﾝｸﾞ ｼ	28.5x32x56	
	35	566386	MACHINED TAPERED DISC	3				
	36	566787		1				
	37	566240	RETAINER SPRING	3		MODEL310㉿		
	38	566389	MACHINED DISC DISCHARGE	3		16X1.5	16x1.5	
	39	566391	SPRING	3		0.6-15L		
	40	566789		8		M8X145X25	M8x145x25	
	41	864012	ELBOW	1		1/2	1/2	
	42	040389	NIPPLE PT1/2XPF1/2	1		PT1/2XPF1/2	PT1/2xPF1/2	
	43	833094	ON/OFF LEVER	1		R3/8XG3/8	R3/8xG3/8	

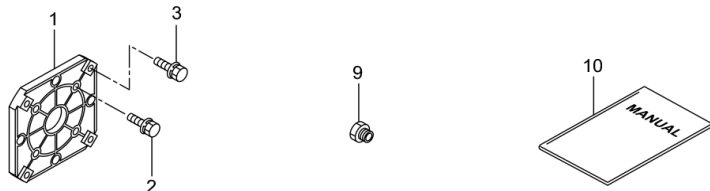
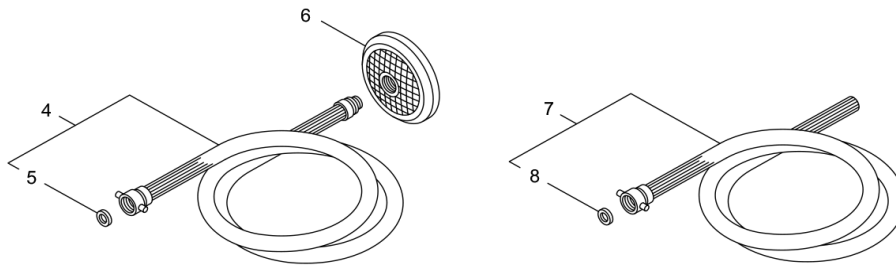
2. MSD51T
RELIEF VALVE



Status	Position	Parts Number	Parts Name	Unit Quantity	Set Unit Quantity	Specification	Remarks	Maker code
	1	566781		1		MSD51T	Incl.2-18	
	2	566242	GRIP	1				

Status	Position	Parts Number	Parts Name	Unit Quantity	Set Unit Quantity	Specification	Remarks	Maker code
						MS170㊦		
	3	566394	SCREW	1		M8X35 ㄆㄆ ミサキ	M8x35	
	4	566395	NUT	1	5	M8 1ｼㄥ	M8	
	5	566396	SCREW	2	10	M3XP0.5X5	M3x5	
	6	566397	SCREW	1	5	M4X6 ヒㄆサキ	M4x6	
	7	566398	GUIDE	1				
	8	566399	WASHER	1	5	16X21X0.7T	16x21xt0.6	
	9	566400	RETAINER	1		15XT2.5	15xt2.5	
	10	566401	SPRING	1		3.0-31L		
	11	566849		1				
	12	566403	SPRING	1		0.6-7L		
	13	566404	BALL	1		5/32	5/32	
	14	566810		1				
	15	566408	SLEEVE	1				
	16	566409	O-RING	1	5	P16	P16	
	17	566410	P.R.V. SEAT	1				
	18	566409	O-RING	1	5	P16	P16	

3. MSD51T
ACCESSORIES



1

Status	Position	Parts Number	Parts Name	Unit Quantity	Set Unit Quantity	Specification	Remarks	Maker code
	1	566245	FLANGE	1				

Status	Position	Parts Number	Parts Name	Unit Quantity	Set Unit Quantity	Specification	Remarks	Maker code
	2	566414	BOLT	4	5	M8X20(SM)	M8x20	
	3	566845		4		3/8-16UNCX25SMK	3/8-16UNCx25SMK	
	4	103864	SUCTION HOSE ASSY	1		25X3M	25x3m Incl.5	
	5	103687	SEAL	1	5	23.5X30XT2	23.5x30xt2	
	6	122017	SUCTION STRAINER ASSY	1				
	7	566426	SPILL HOSE ASSY	1		13X3M	13x1Bx3000L Incl.8	
	8	566430	GASKET FILLER CAP	1	5	12X18.5XT1.5	12x18.5xt1.5	
	9	566432	EXTENSION PF3/8XPF1/2	1		PF1/2XPF3/8	G1/2XG3/8	
	10	566790		1		MSD51	MSD51	