

PARTS LIST

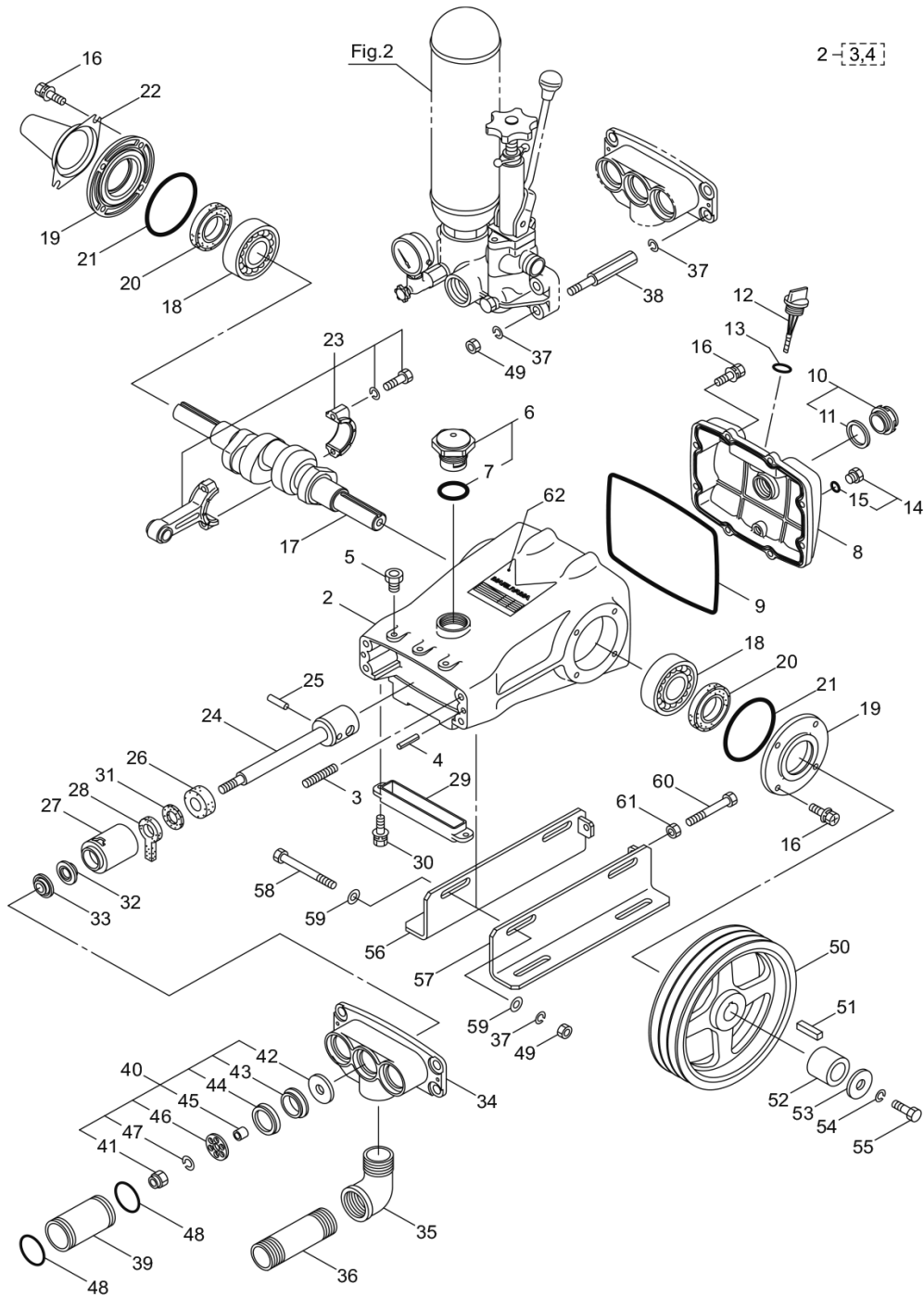
MS905/MS1505/MS2215



2016.10.

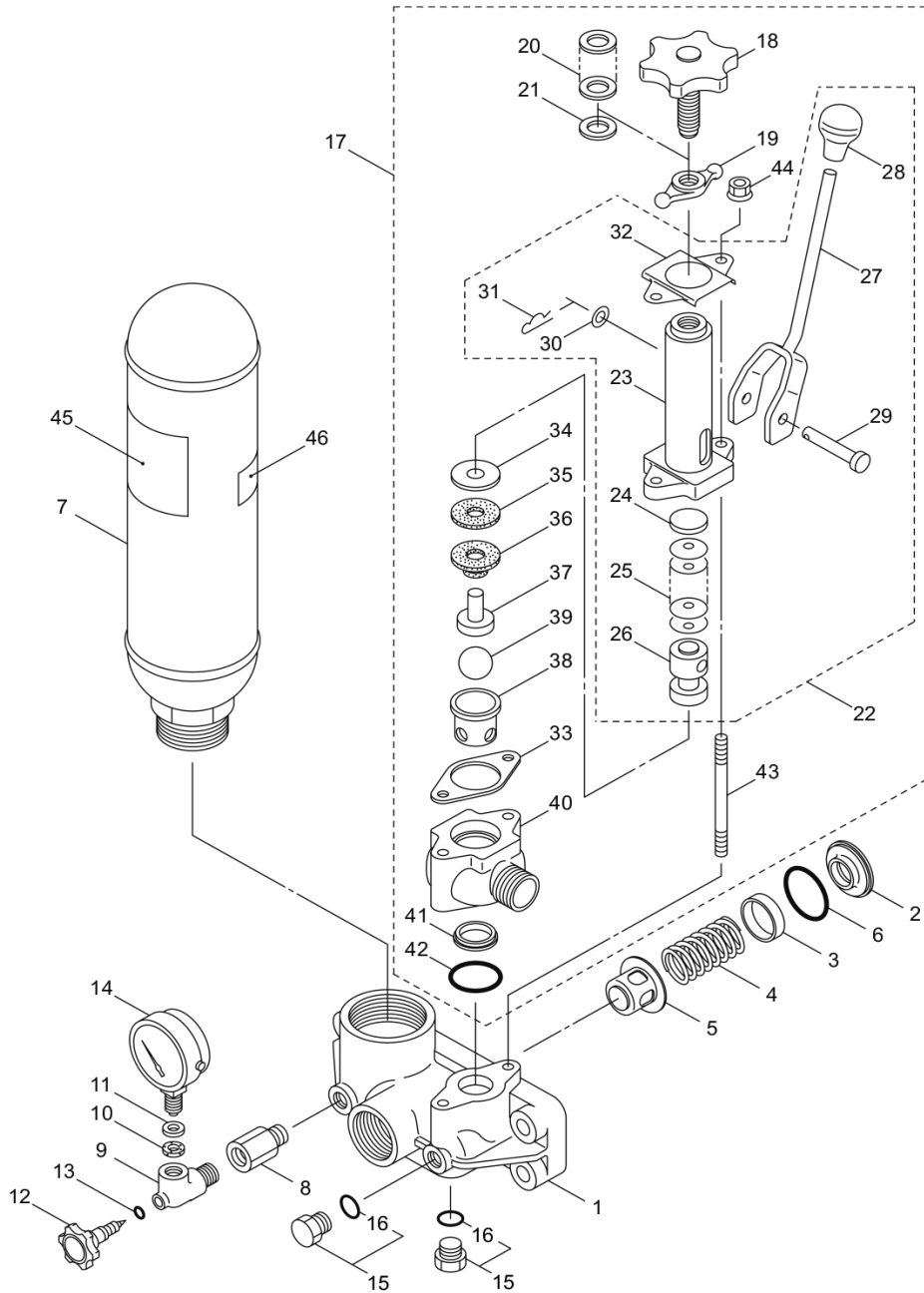
P/N E523179

1. MS905
CRANKCASE, SUCTION VALVE



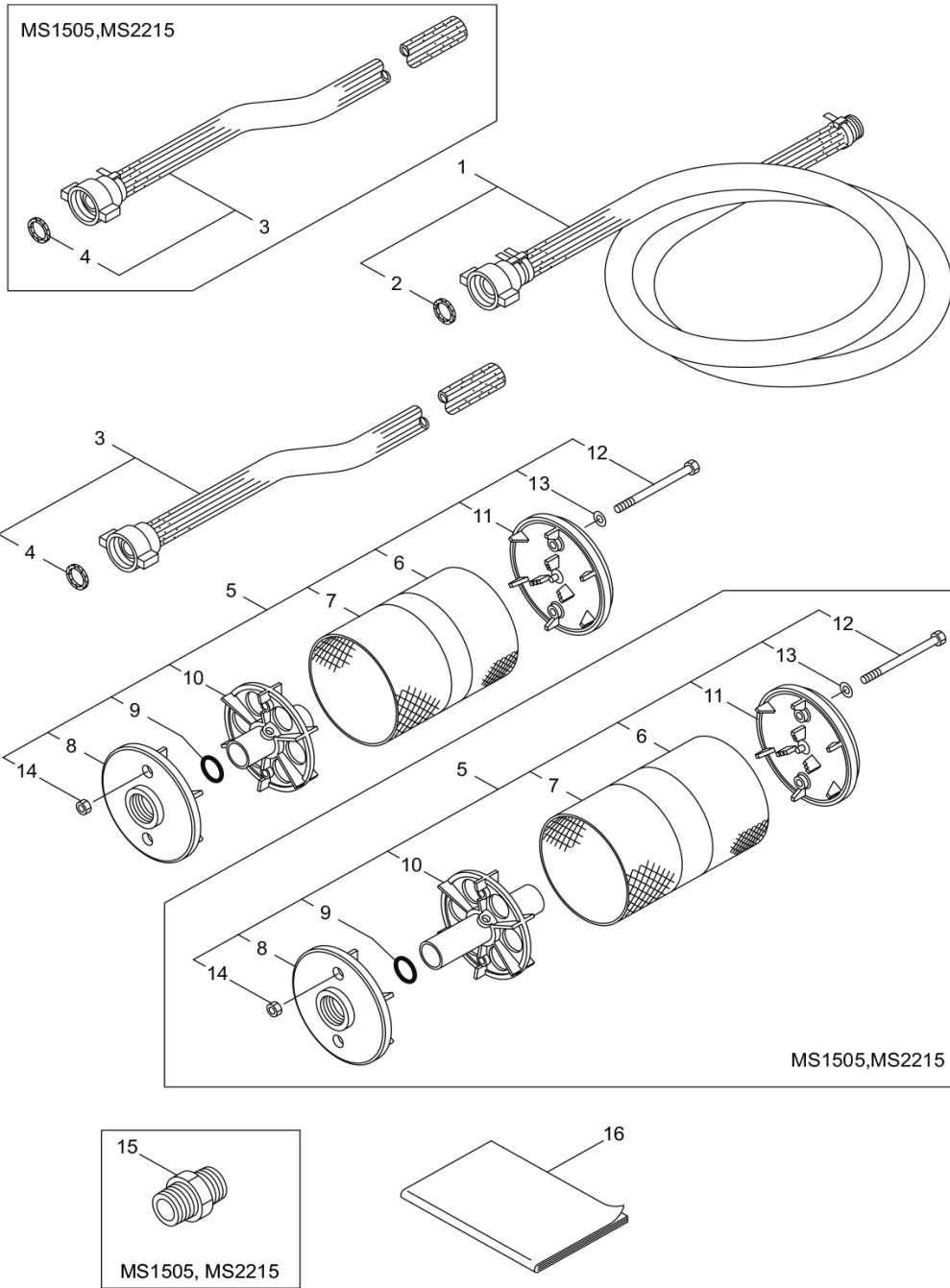
Status	Position	Parts Number	Parts Name	Unit Quantity	Set Unit Quantity	Specification	Remarks	Maker code
	1	354170	MS905	1				
	2	100623	CRANKCASE ASSY	1			Incl.3,4	
	3	126547	STUD	4		M12X28X24X22	M12x28x24x22	
	4	027488	GUIDE PIN	2	5	5X12 AW		
	5	028787	OIL PORT BUSH	3		PF1/4	G1/4	
	6	091264	CAP OIL FILLER	1		W35.85	Incl.7	
	7	014177	O-RING	1		P35 1ｼｺA	P35	
	8	131556	CRANKCASE CAP	1		P/N131557		
	9	027767	O-RING C/C COVER	1		222X3	222x3	
	10	092241	OIL GAUGE	1			Incl.11	
	11	044428	PACKING	1	5	25X34XT2	25x34xt2	
	12	027769	DIP-STICK	1		ﾗｲﾄﾌﾞﾙｰ		
	13	129343	PACKING	1		18.5X24XT3	18.5x24xt3	
	14	091376	PLUG ASSY	1		G1/4	Incl.15, G1/4	
	15	023170	O-RING	1	5	P12.5	P12.5	
	16	126544	SCREW SEMS	16	5	M8X25(SMK)	M8x25	
	17	027846	CRANKSHAFT	1		ｼﾞﾝ ｲ105110		
	18	026512	BEARING 6308	2		#6308	#6308	
	19	027869	OIL SEAL CASE	2		P/N090032		
	20	027771	RETAINER PLUNGER	2		D406212	D406212	
	21	027772	O-RING	2		G90 1ｼｺA	G90	
	22	029004	PROTECTOR	1		MS903		
	23	048613	CON. ROD ASSY 25F TNM	3				
	24	126660	PISTON ROD ASSY	3				
	25	027784	PIN PISTON ROD	3		14X39	14x39	
	26	027849	OIL SEAL	3		S144511	S144511	
	27	027788	RETAINER SEAL	3				
	28	027789	WICK	3		14X40X5	14x40x5	
	29	027790	PAN OIL	1				
	30	125824	BOLT	2	5	M6X16(SMK)	M6x16	
	31	120530	PACKING	3				
	32	101389	SCRAPER	3				
	33	101390	SEAL PACKING	3				
	34	027850	CYLINDER MANIFOLD	1		MS903		
	35	111446		1		2019-11-04	11/4	
×	36	115016		1		R11/4XG11/4	R11/4xG11/4	
	37	126570	WASHER LOCK MEDIUM	10	5	M12 2ｺﾞ ｼ	M12	
×	38	103494		4		M12	M12	
	39	027844	CYLINDER 38X47X65	3		38X47X65	38x47x65	
	40	406506	A-BLOCK	3			Incl.41-47	
	41	117177	NUT	3		M8	M8	
	42	029240	MACHINED DISC	3		8X34X5		
	43	027840	SUCTION MACHINED DISC	3				
	44	028409	CUP PISTON	3		39	39	
	45	029231	SPACER PISTON	3		8X10.5X11.5	8x10.5x11.5	
	46	029239	RETAINER PISTON(M8)	3		8X33.5XT3	8x33.5xT3	
	47	015846	NUT SLOTTED	3	5	M8 2ｺﾞ ｼ	M8	
	48	025495	O-RING	6		P41	P41	
	49	126523	NUT	6	5	M12 1ｼｺ	M12	
	50	019384	V-PULLEY	1		261B3	261B3	
	51	026472	KEY	1		7X7X45 ﾘｯﾖｶｶ	7x7x45	
	52	100115	COLLAR	1		30.7X42.7X38	30.7x42.7x38	
	53	028348	WASHER	1		10.5X45XT4.5	10.5x45xT4.5	
	54	126231	WASHER LOCK	1	5	M10 2ｺﾞ ｼ	M10	
	55	088146	BOLT	1		M10X1.25X25	M10x1.25x25	
	56	027774	RAIL (A)	1				
	57	027775	RAIL (B)	1				
	58	126534	BOLT	2		M12X160X36	M12x160x50	
	59	126575	WASHER	4	5	M12 ﾐｶﾞｷﾏﾙ	M12	
	60	080372	BOLT	2		M10X80	M10x80	
	61	126522	NUT	2	5	M10 1ｼｺ	M10	
	62	132346		1		MS905	MS905	

2. MS905 PRESSURE REGULATOR VALVE



Status	Position	Parts Number	Parts Name	Unit Quantity	Set Unit Quantity	Specification	Remarks	Maker code
	1	027851	DISCHARGE MANIFOLD	1		MS903		
	2	101391	SEAT DISCHAGE MACHINED DISC	3				
	3	027952	MACHINED DISC DISCHARGE	3		MS403		
	4	026548	SPRING	3				
	5	043134	RETAINER SPRING	3		MS903		
	6	101392	O-RING	3		43X2	43x2	
	7	109687	AIR CHAMBER	1				
	8	109689	BUSHING	1		PT3/8XPT1/4	R3/8xR1/4	
	9	013642	PRESSURE GAUGE PROTECTOR	1		PT3/8-PF1/4	R3/8-G1/4	
	10	011241	PACKING	1	5	5.1X11X1.5T	5x11xt1.5	
	11	015453	WASHER	2	5	5X11XT0.5	5x11xt0.5	
	12	027441	NEEDLE	1				
	13	011341	O-RING	1	5	3X2	3x2	
	14	121546	PRESSURE GAUGE	1		60-MAX8-RED4.5		
	15	091376	PLUG ASSY	2		G1/4	Incl.16, G1/4	
	16	023170	O-RING	2	5	P12.5	P12.5	
	17	111308	P.R. VALVE ASSY	1		MS903	Incl.18-44	
	18	107216	P.R.VALVE KNOB	1		M16X1.5X50		
	19	013645	P.R.VALVE KNOB STOPPER	1		M16X1.5	M16x1.5	
	20	012322	WASHER	10	5	17X25XT1.6	17x25xt1.6	
	21	111375	WASHER	2	5	17X25XT0.5	17x25xt0.5	
	22	091199	P.R.V.SPRING CASE	1		MS1503	Incl.23-32	
	23	029219	P.R.VALVE SPRING CASE	1				
	24	100917	P.R.VALVE SPRING SEAT	1		28XT3.2	28xt3.2	
	25	026188	P.R. VALVE SPRING	40	5	カ イケ128 トクシ		
	26	029221	P.R. VALVE SPRING STOPPER	1				
	27	103711	P.R. VALVE HANDLE	1				
	28	101939	P.R. VALVE HANDLE KNOB	1				
	29	013554	P.R. VALVE SPRING KNOCK	1		10X55	10x55	
	30	020336	WASHER	1	5	10.5X16XT1.2	10.5x16xt1.2	
	31	021380	R PIN 8X1.6	1	10	8X1.6	8x1.6	
	32	100512	WASHER	1				
	33	029236	BODY PACKING	3				
	34	029222	WASHER	1		10.2X40XT1.2	10.2x40xt1.2	
	35	029223	BELLOWS PACKING	1				
	36	029224	P.R.V.BELLOWS	1				
	37	101938	ROD	1				
	38	029227	P.R.V. SACK	1				
	39	107446	VALVE BALL	1		2019-11-04		
	40	100436	PRESSURE REGULATOR VALVE BODY	1		MS903		
	41	111112	P.R.V. SEAT	1				
	42	011379	O-RING CYLINDER	1	5	P32	P32	
	43	084728	STUD BOLT	2		M8X80X11X18	M8x80x11x18	
	44	126201	HEX FANGE NUT	2	5	M8	M8	
	45	109048	LABEL	1		パ ルセ-ブ 子ヤンパ -		
	46	121074	LABEL	1				

7. MS905/MS1505/MS2215 ACCESSORIES



Status	Position	Parts Number	Parts Name	Unit Quantity	Set Unit Quantity	Specification	Remarks	Maker code
	1	018042	SUCTION HOSE ASS'Y	1		32X3600	Incl.2-14 32x3600	
×	2	023336	PACKING	1	5	31X39XT2	31x39xT2	
	3	103476	DISCHARGE HOSE ASSY	1		25X3600	Incl.4 25x3600	
	4	103687	SEAL	1	5	23.5X30XT2	23.5x30xt2	
	5	101225	SUCTION STRAINER ASSY	1		MS903 703	Incl.6-14	
	6	101226	STRAINER NET	1		ヒラオリ#29-30メッシュ	#29-30	
	7	101227	STRAINER BARREL	1				
	8	101228	STRAINER UPPER FITTING	1		MS903 703		
	9	014010	O-RING	1		S35	S35	
	10	101330	STRAINER PIPE	1				
×	11	101219	STRAINER BOTTOM FITTING	1				
	12	190669	BOLT	2		M8X160LX30S	M8x160x30	
	13	013534	WASHER	2		M8 コカ ⁺ タマル	M8	
	14	081249	NUT	2	5	M8 2 ⁺ コ	M8x1.25	
	15	132363		1		R11/4 (シハンピン)	R11/4	
	16	132357		1		MS905 1505 2215	MS905/1505/2215	