

PARTS LIST

MS75E

CONTENTS

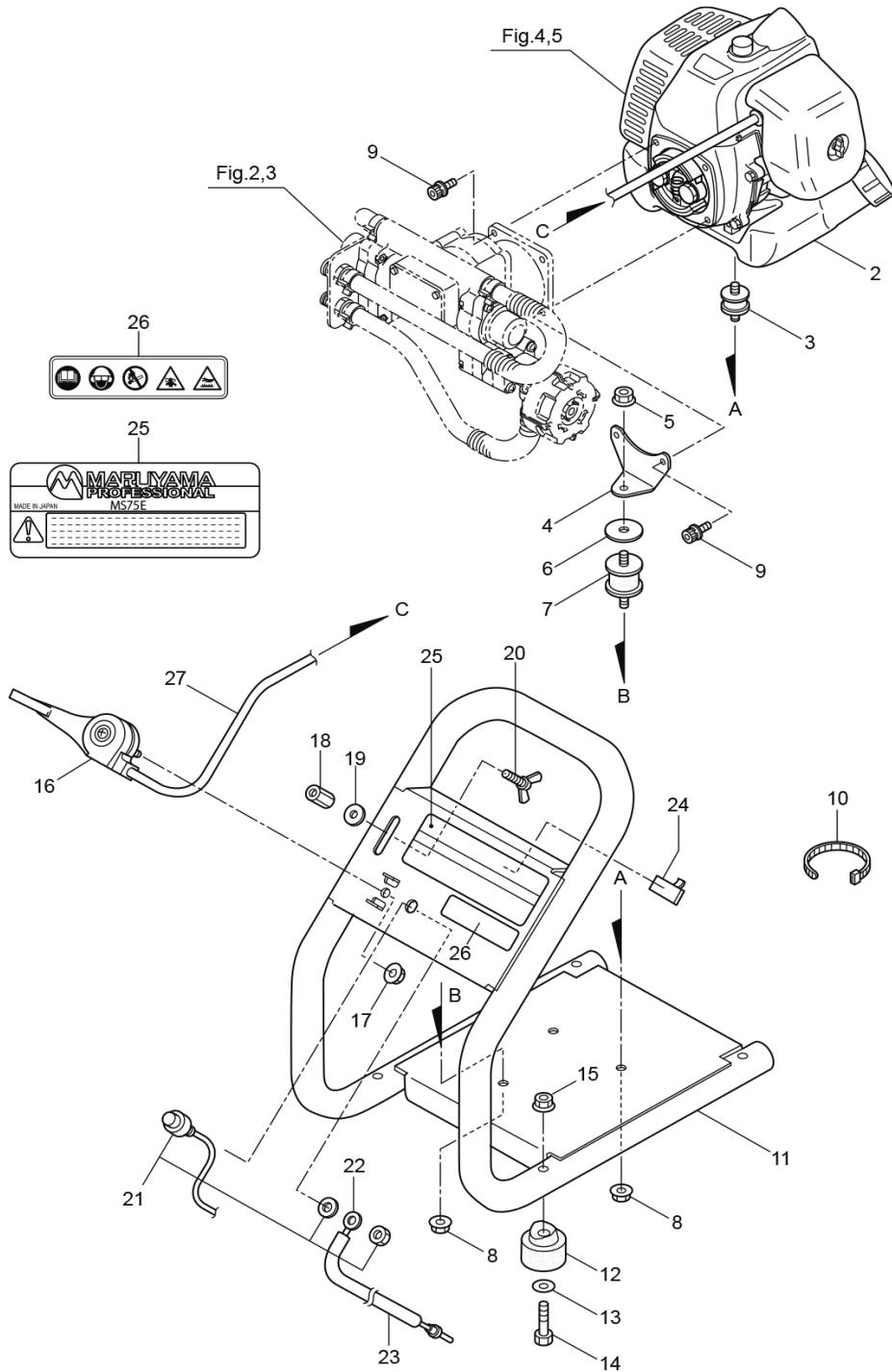
1. MAIN BODY	1 ~ 2
2. POWER SPRAYER	3 ~ 6
3. REDUCTION GEAR	7 ~ 8
4. ENGINE	9 ~ 12
5. CARBURETOR, FUEL TANK	13 ~ 16
6. ACCESSORIES	17 ~ 18

2012. 02.



P/N 523313

1. MS75E
MAIN BODY



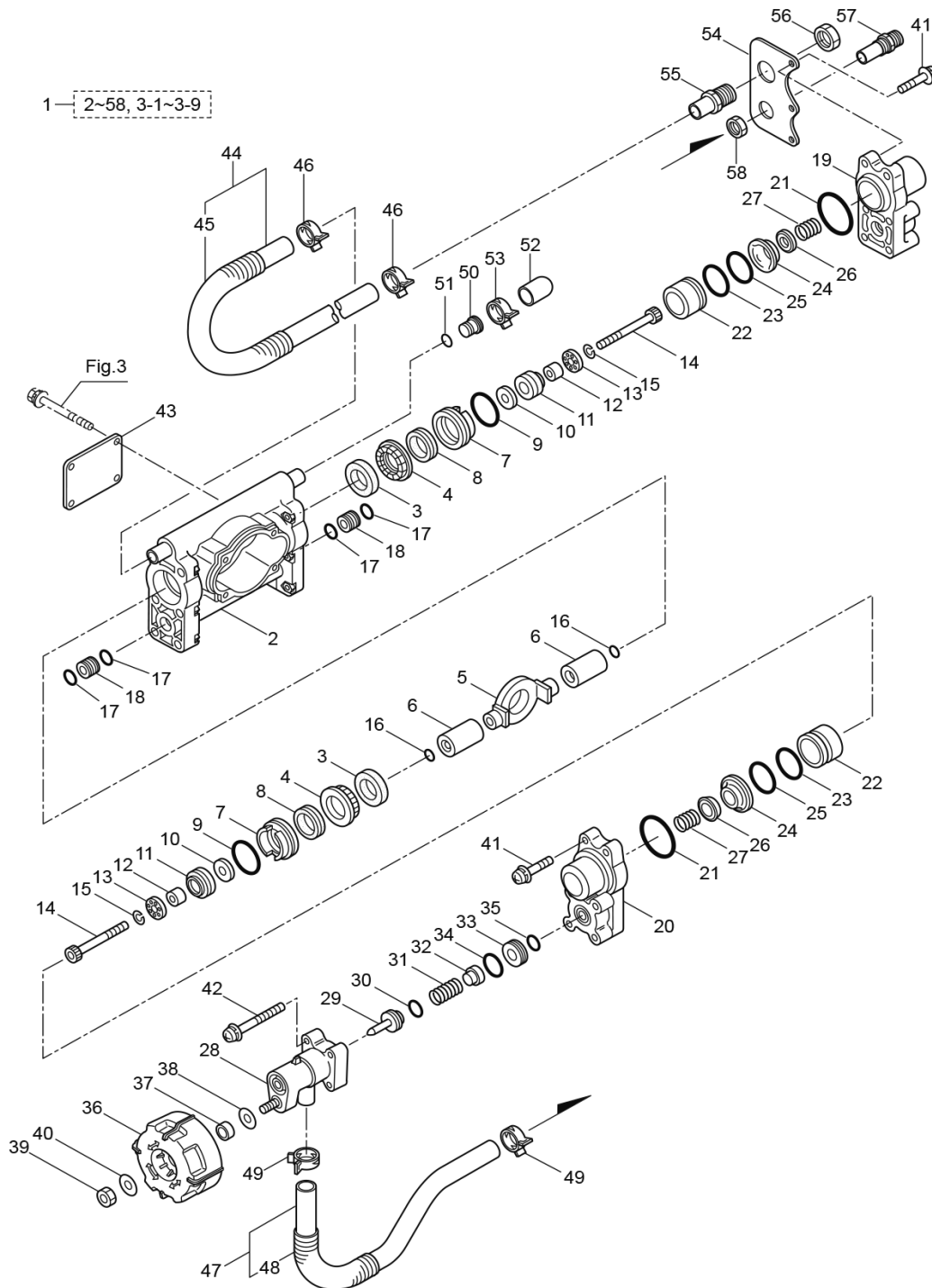
- 1 -

1

Status	Position	Parts Number	Parts Name	Unit Quantity	Set Unit Quantity	Specification	Remarks	Maker code
--------	----------	--------------	------------	---------------	-------------------	---------------	---------	------------

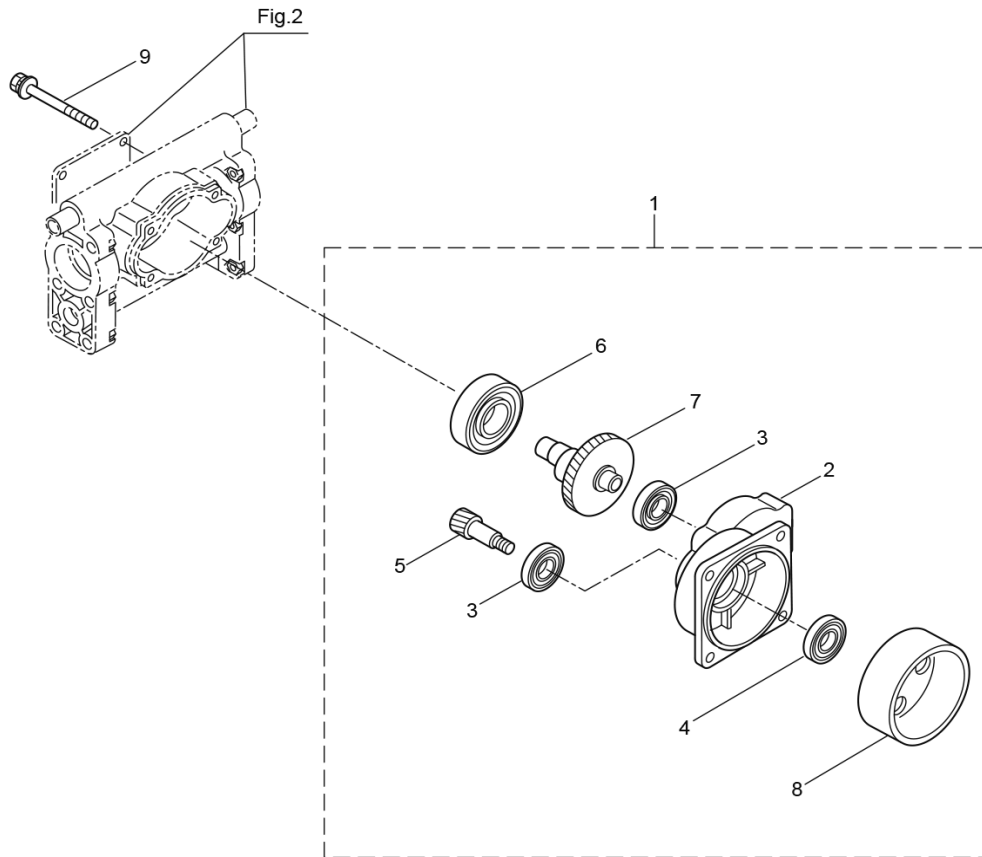
Status	Position	Parts Number	Parts Name	Unit Quantity	Set Unit Quantity	Specification	Remarks	Maker code
	1	353027	MS75E(MUS)	1				
	2	858757	ENGINE CE300P/04	1			CE300P/04	
	3	182114	PACKING	2				
	4	125803	STAY	1				
	5	126756	FLANGE NUT	1	5	M6	M6	
	6	114185	SPACER	1	5	6.5X33XT3	6.5x33xt3	
	7	101877	BUFFER	1		30-M6X14		
	8	126756	FLANGE NUT	3	5	M6	M6	
	9	126178	CAP SCREW	4	5	M5X15	M5x15	
	10	104343	BAND	1	5	CV-200		
	11	129054	FRAME ASSY	1				
	12	100559	BUFFER	4				
	13	019056	WASHER	4	5	6.5X18XT1	6.5x18xt1	
	14	082117	BOLT	4	10	M6X40X18	M6x40x18	
	15	127230	FLANGE NUT	4	10	M6 フランジ ケイ16	M6	
	16	115148	THROTTLE LEVER	1		トウヨウサシキ ヨウ		
	17	127226	FLANGE NUT	1	10	M5	M5	
	18	129082	NUT	1		M6X15	M6	
	19	126572	WASHER	1	10	M6 コカ タマル	M6	
	20	129059	BOLT	1		M6X15 2ｼｼ	M6x15	
	21	114895	STOP SWITCH	1		AV0.5X320L アカ		
	22	114896	EARTH CORD	1		AV0.5X320L M8		
	23	114901	VINYL HOSE	1		8X9X220(ｸロ)	8x9x220L	
	24	146127	CLAMP	1		ニチデ ン P25350		
	25	130921	LABEL	1		MS75E	MS75E	
	26	266959	LABEL	1		CEｺｰｼﾞｮﾝ	Caution	
	27	284685	CABLE COMPLETE	1				

2. MS75E POWER SPRAYER



Status	Position	Parts Number	Parts Name	Unit Quantity	Set Unit Quantity	Specification	Remarks	Maker code
	1	129046	PUMP ASSY	1		MS0741E(129046)	Incl.2~58,3-1~3-9	
	2	125673	CRANKCASE ASSY	1		MS059		
	3	102683	OIL SEAL	2		G16244	G16244	
	4	106190	COLLAR	2	5	クワ トクシユ		
	5	121179	CONNECTING ROD	1		M5		
	6	125680	SLEEVE	2		16X33	16x33	
	7	102358	SEAL RETAINER	2		ナチユル		
	8	112252	PACKING	2				
	9	013977	O-RING	2	5	S26	S26	
	10	043426	SUCTION VALVE SEAT	2		5X17X2.8	5x17xt2.8	
	11	100441	PISTON PACKING ASSY	2		20.5	20.5	
	12	023357	SUCTION MACHINED DISC COLLAR	2		5X8X10	5x8x10L	
	13	022023	SUCTION MACHINED DISC STOPPER	2		5X16X3	5x16xt3	
	14	125681	CAP SCREW	2	5	M5X50X22	M5x50x22	
	15	015848	SPRING WASHER	2	5	M5 2コトウ	M5	
	16	021549	O-RING	2	5	P5	P5	
	17	014175	O-RING	4	5	P9	P9	
	18	100554	SPACER PIPE	2		6X12X10	6x12x10	
	19	103128	CYLINDER HEAD A	1				
	20	102634	CYLINDER HEAD B	1				
	21	013983	O-RING	2	5	S31.5	S31.5	
	22	125682	CYLINDER PIPE	2		20X26X22ミツ ナシ	20x26x22	
	23	023172	O-RING	2	5	P22	P22	
	24	125683	VALVE SEAT	2				
	25	103575	O-RING	2	5	23X1.5	23x1.5	
	26	043723	MACHINED DISC INLET	2		16X1.5		
	27	043360	SPRING	2	5	0.7-15L		
	28	103132	SPRING HOUSING	1				
	29	103758	SPRING RETAINER	1				
	30	011682	O-RING	1		P10 7ツツ	P10	
	31	103759	SPRING	1		2.0-30L		
	32	103747	MACHINED DISC	1				
	33	103746	MACHINED TAPERED DISC	1				
	34	011346	O-RING	1	5	P14	P14	
	35	011343	O-RING	1	5	P10A	P10A	
	36	110780	CAM HANDLE	1		アカ(スタンブ ナシ)		
	37	127225	COLLAR	1	5	8X10X5.3	8x10x5.3	
	38	127217	WASHER	5	5	8.5X14XT0.5	8.5x14xT0.5	
	39	126521	NUT	1	5	M8 1シユ	M8	
	40	127216	WASHER	1	5	M8 ミカ キマル	M8]	
	41	121956	SCREW	8	5	M5X32(SMK)	M5x32	
	42	816036	SCREW	4	5	M5X60(SMK)	M5x60	
	43	125801	PLATE	1				
	44	129047	HOSE ASSY	1			Incl.45	
	45	118337	TUBE	1		15.2X19.5X220スリ	15x19.5x180L	
	46	103033	HOSE BAND	2	5	150-05-00	150-05-00	
	47	129049	HOSE ASSY	1			Incl.48	
	48	129051	TUBE	1		15X19.5X85	15x19.5x85	
	49	103033	HOSE BAND	2	5	150-05-00	150-05-00	
×	50	129041	PLUG	1				
	51	021549	O-RING	1	5	P5	P5	
	52	129042	CAP	1		クワ		
	53	043972	HOSE BAND	1	5	125-06-00		
	54	129052	BRACKET	1				
	55	129053	HOSE COUPLING	1		G3/8	G3/8	
	56	018994	NUT PF3/8	1	5	PF3/8		
	57	103413	NIPPLE	1		PF1/4	PF1/4	
	58	025604	HEX NUT	1		PF1/4 ヲツキナシ	PF1/4	

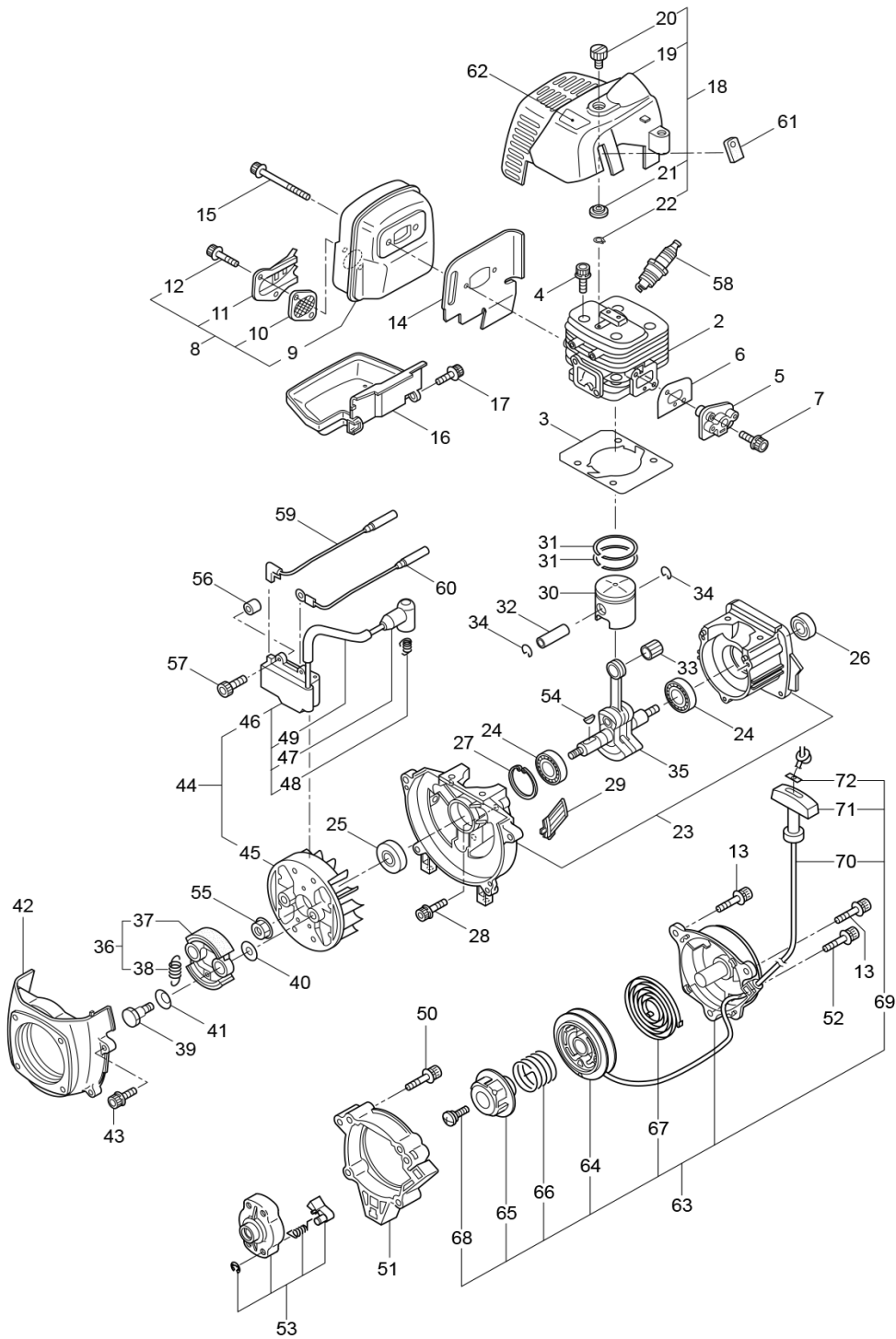
3. MS75E
REDUCTON GEAR



Status	Position	Parts Number	Parts Name	Unit Quantity	Set Unit Quantity	Specification	Remarks	Maker code
				1				

Status	Position	Parts Number	Parts Name	Unit Quantity	Set Unit Quantity	Specification	Remarks	Maker code
	1	125684	REDUCTION GEAR ASSY	1		MS059	Incl.2-8	
	2	125685	GEAR CASE	1				
	3	102680	BEARING 6000ZZ	2		#6000ZZ	#6000ZZ	
	4	112184	BEARING 6000DDU	1		6000DDU(NSK)	#6000DDU	
	5	125686	PINION GEAR	1				
	6	103144	BEARING	1		#6004ZZ	#6004ZZ	
	7	125687	CRANKSHAFT	1				
	8	127367	CLUTCH DRUM	1		WJR2525		
	9	126059	BOLT	4		M6X60(SMK)	M6x60	

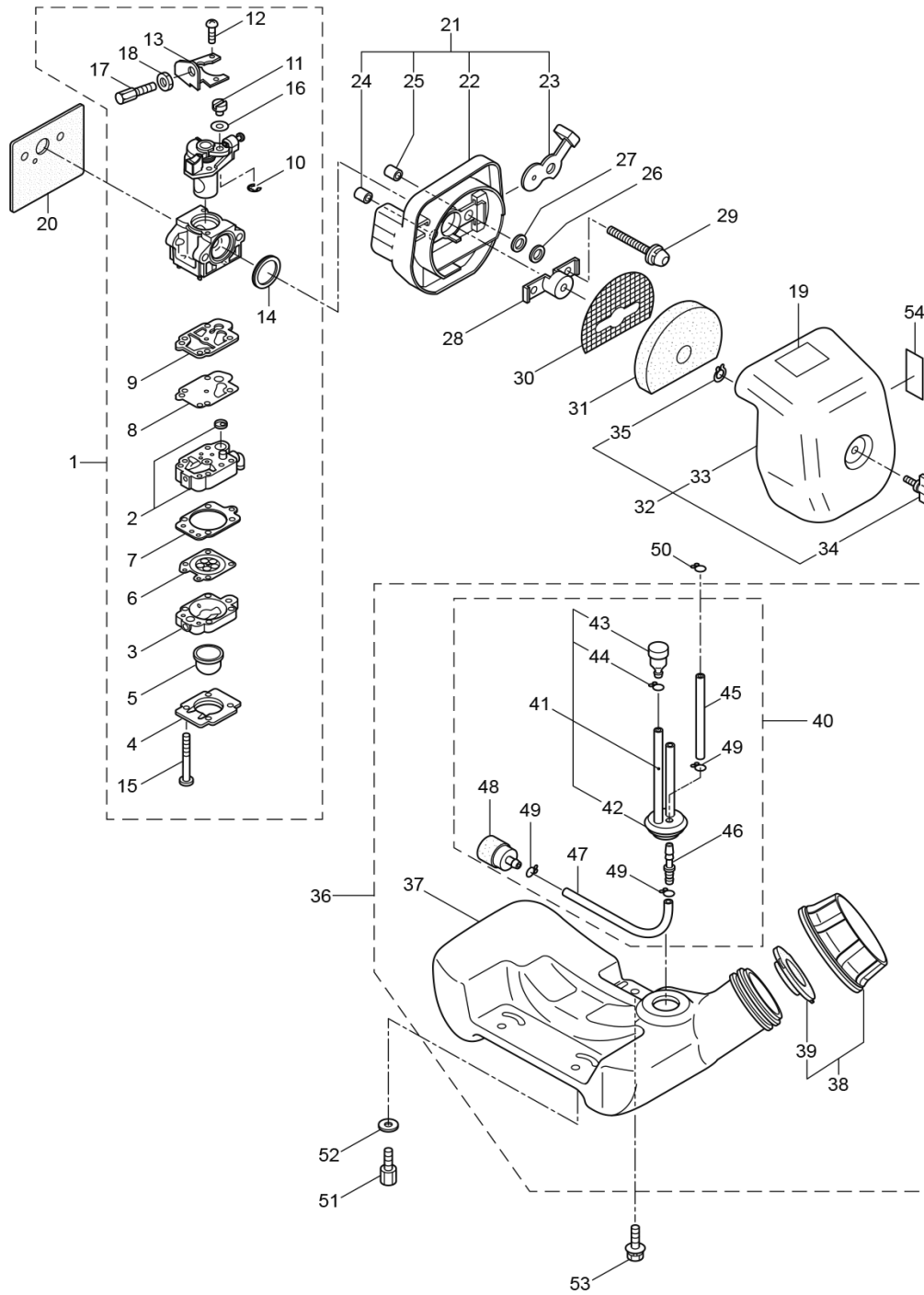
4. MS75E ENGINE



Status	Position	Parts Number	Parts Name	Unit Quantity	Set Unit Quantity	Specification	Remarks	Maker code
	1	858757	ENGINE CE300P/04	1			CE300P/04	
	2	286791	CYLINDER	1		TIER3 カセツト		
	3	286846	GASKET	1		30CC/T1.0		
	4	261250	CAP SCREW	4	5	M5X20	M5x20	
	5	269144	INSULATOR	1		DE260	New gasket required	
	6	267049	GASKET	1	5			
	7	265924	CAP SCREW	2	5	M5X25WSW+オ	M5x25	
	8	283007	MUFFLER ASSY	1			Incl.9-12	
	9	283003	MUFFLER COMPL	1				
	10	267056	SPARK ARRESTER	1				
	11	268171	MUFFLER TAIL	1				
	12	265107	CAP SCREW	2	5	M4X10	M4x10	
	13	283391	SCREW	2	5	M4X20WSW+ミ/3 カB	M4x20	
	14	281440	GASKET	1				
	15	266402	CAP SCREW	2	5	M5X557ランジ	M5x55	
	16	281435	UNDER COVER	1		クロ CE300		
	17	267191	CAP SCREW	1	5	M5X16WSW+オ	M5x16	
	18	281742	TOP COVER ASSY	1		アカ	Incl.19-22	
	19	281434	TOP COVER	1		アカ		
	20	261018	KNOB BOLT	1		クロ(N1.5)		
	21	261020	SPACER	1				
	22	261734	SNAP RING	1	5	ヨビ`5	#5	
	23	286851	CRANK CASE	1		CE300		
	24	280488	BEARING 6001C3	2		6001 C3リベ`ツト	PPL 6001	
	25	261492	OIL SEAL	1		ISCD12287グ`リスト シ	ISCD12287	
	26	261386	OIL SEAL	1		ISCD12227グ`リスト シ	ISCD12227	
	27	055185	SNAP RING #28	1	5	アナヨウ28	#28	
	28	261612	CAP SCREW	3		M5X30	M5x30	
	29	281442	AIR INTAKE GRILLE (BLACK)	1		クロ		
	30	268782	PISTON	1		CE300		
	31	265067	PISTON RING	2			(2)Required	
	32	265068	PISTON PIN	1		7X10X30.5L		
	33	265225	NEEDLE BEARING KTV101413EGX02B	1				
	34	261393	CLIP	2				
	35	265141	CRANK SHAFT COMPLETE	1				
	36	264887	CLUTCH ASSY	1			Incl.37,38	
	37	264888	CLUTCH SHOE	2			(2)required	
	38	264889	SPRING	1				
	39	264505	BOLT	2				
	40	261189	WASHER	2	5	6X16.5XT1.2	6x16.5xt1.2	
	41	261777	WAVE WASHER	2	5			
	42	281433	FAN COVER	1		シヨツトシヨリ		
	43	261250	CAP SCREW	4	5	M5X20	M5x20	
	44	286848	MAGNETO	1			Incl.45-49	
	45	286849	ROTOR	1				
	46	281746	IGNITION COIL ASSY	1		デ`ジ`タ	Incl.47-49	
	47	269714	PLUG BOOT	1		WB 141-13		
	48	269715	CONNECTOR	1		WB98-3674		
	49	281756	TUBE	1				
	50	265726	CAP SCREW	4	5	M4X16メツクツキ	M4x16	
	51	284698	ADAPTER ASSY	1		クロ CE23アシストヨウ		
	52	282096	SCREW	1	5	M4X16メツクミド`リ	M4x16WSW	
	53	283575	STARTER PULLEY	1		ダ`ンバ`-ヨウ		
	54	261076	WOODRUFF KEY 3X10	1	5	A`シ` 3X10	3x10	
	55	261417	NUT ROTOR M8	1	5	M8	M8	

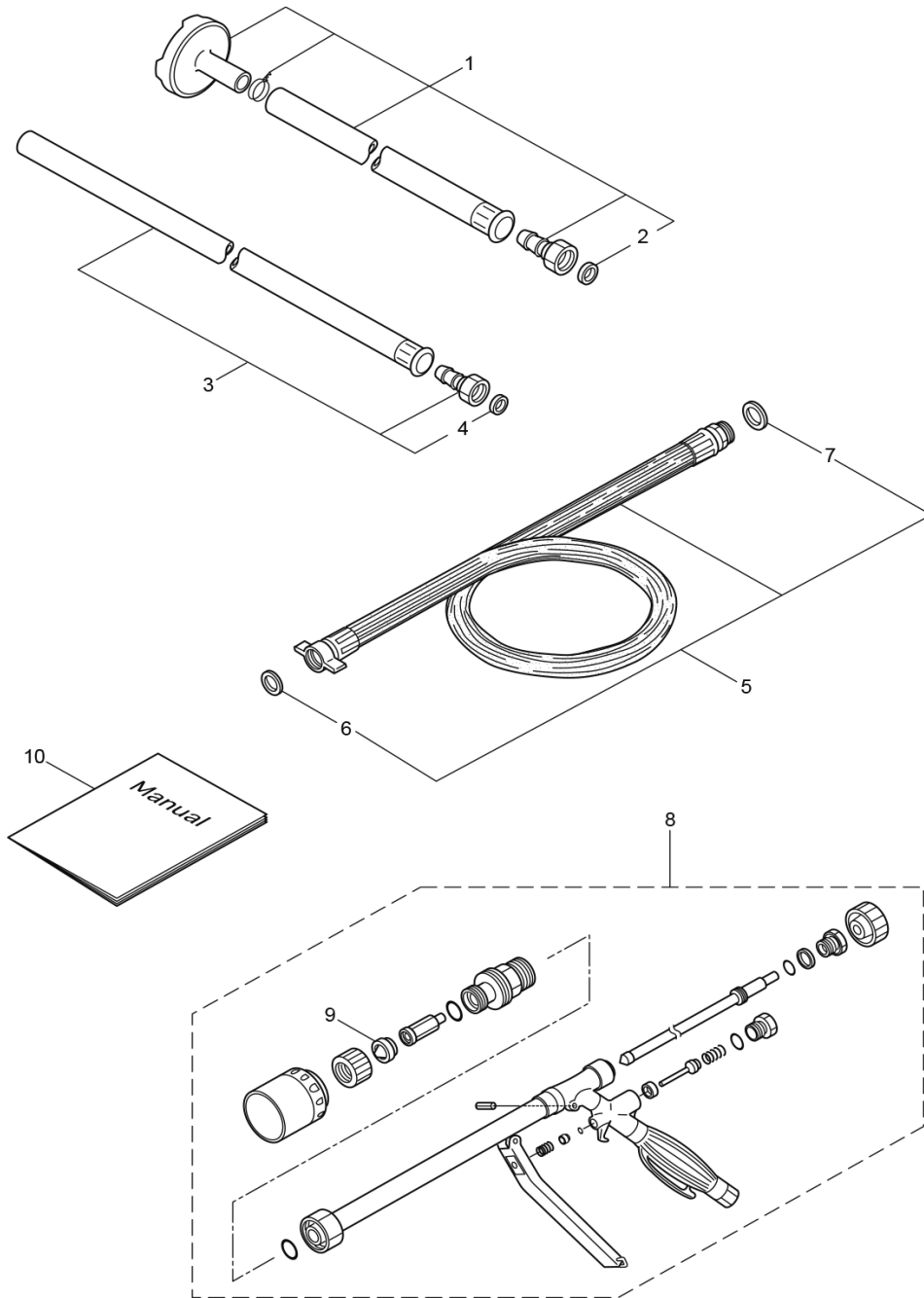
Status	Position	Parts Number	Parts Name	Unit Quantity	Set Unit Quantity	Specification	Remarks	Maker code
	56	280381	SPACER	2	5			
	57	261256	BOLT	2	5	M4X25	M4x25	
	58	285982	SPARK PLUG(BPM8Y)	1		NGK BPM8Y	NGK BPM8Y	
	59	269722	LEAD	1		165 ¹ / ₂ HCBH		
	60	268044	LEAD	1		135M4 CBH		
	61	269189	GROMMET	1		クワ		
	62	288622	LABEL	1		MS75E		
	63	283477	RECOIL STARTER ASSY	1		ﾀﾞﾝﾊﾞｰ	Incl.64-72	
	64	283504	REEL	1		A54108170001		
	65	283505	CAM PLATE	1		A54308130201		
	66	283506	DUMPER SPRING	1		A52408170300		
	67	280931	SPIRAL SPRING	1				
	68	267213	SCREW	1				
	69	283578	ROPE ASSY	1			Incl.70-72	
	70	283579	STARTER ROPE	1		3MM X 870L		
	71	261725	STARTER GRIP	1				
	72	283511	ROPE STOPPER	1		A57302611810		

5. MS75E CARBURETOR, FUEL TANK



Status	Position	Parts Number	Parts Name	Unit Quantity	Set Unit Quantity	Specification	Remarks	Maker code
	1	282542	CARBURETOR	1		WYK-254A	Incl.2-18 New gasket required	
	2	264155	CARBURETOR BODY	1		WB5-2582		
	3	262991	PURGE BODY	1		WB5-2557		
	4	262992	COVER	1		WB21-3147		
	5	261874	PRIMER	1		WB188-12		
	6	283905	DIAPHRAGM METERRING	1		WB95-614		
	7	262993	GASKET	1		WB92-359		
	8	262994	DIAPHRAGM	1		WB95-99		
	9	282576	GASKET	1		WB92-415		
	10	261876	RING	1		WB16-71		
	11	261658	SWIVEL	1		WB52-34		
	12	261875	SCREW	2		WB96-323		
	13	264677	BRACKET	1		WB167-143		
	14	261657	PACKING	1		WB16-171		
	15	262996	SCREW	4	5	WB96-425		
	16	264678	WASHER	1	5	WB136-221		
	17	263994	SCREW	1		WB96-462 ロング		
	18	261878	NUT	1	5	M6 3ｼﾞ		
	19	285188	LABEL	1		CAｽﾊﾞｰｸﾞｱｰｽﾀｲ ｺｸ		
	20	269762	GASKET	1				
	21	268055	AIR FILTER HOUSING ASSY	1			Incl.22-25	
	22	268056	AIR FILTER CASE	1		ﾌﾞﾛｰｸﾀｲﾌﾟ		
	23	268057	MACHINED DISC	1				
	24	268157	SLEEVE	1		5.5X7.1X6	5.5x7.1x6L	
	25	268412	SLEEVE	1		5.2X7.1X6.4	5.5x7.1x6.6L	
	26	263345	PACKING	1	5	7.2X11XT1.3	7.2x11xt1.3	
	27	263942	WASHER	1	5	7.2X12XT0.15	7.2x12xt0.15	
	28	263815	STAY	1				
	29	264016	CAP SCREW	2	5	M5X60	M5x60	
	30	265026	SCREEN	1				
	31	265027	FORM ELEMENT	1				
	32	268058	AIR FILTER COVER ASSY	1			Incl.33-35	
	33	268059	AIR FILTER COVER	1				
	34	281438	KNOB	1				
	35	261734	SNAP RING	1	5	ｺﾞﾐ 5	#5	
	36	289037	FUEL TANK ASSY	1		A46B95C154D52	Incl.37-49	
	37	285224	FUEL TANK	1		CE300P ﾀﾝｸ		
	38	289043	FUEL TANK CAP ASSY	1			Incl.39	
	39	287058	GASKET	1				
	40	289035	FUEL PIPE PICKUP ASSY	1			Incl.41-49	
	41	289036	FUEL PIPE ASSY	1			Incl.42-44	
	42	268065	GROMMET	1		3ﾌﾟ		
	43	261590	BREATHER SUB ASSY	1				
	44	261117	CLIP	1				
	45	289028	PIPE A	1		3X5X53L	3x5x53L	
	46	288921	JOINT	1				
	47	289033	PIPE	1		3X5X100L	3x5x100L	
	48	264653	FILTER ASSY	1		125-552		
	49	261117	CLIP	3				
	50	261117	CLIP	1				
	51	285065	SCREW	2		M5 ﾏｸｼﾞﾎﾞﾙﾄ	M5	
	52	283688	WASHER	2	5	5.5X12X1.6ﾋﾞｱ	5.5x12x1.6	
	53	284695	SCREW	1		M5X18WSW+ﾓ	M5x18	
	54	261352	MARK--LABEL	1		ﾌﾞﾛｰｸ	Choke	

6. MS75E
ACCESSORIES



Status	Position	Parts Number	Parts Name	Unit Quantity	Set Unit Quantity	Specification	Remarks	Maker code
	1	103790	SUCTION HOSE ASSY	1		10X15X2.5(7口)	Incl.2 10x15x2500L	
	2	023330	PACKING 9.5X15X1.5	1	5	9.5X15XT1.5	9.5x15xt1.5	
	3	103792	DISCHARGE HOSE ASSY	1		8X12X2500(7口)	Incl.4 8x13x2500L	
	4	023329	PACKING	1	5	6.5X11.5XT1.5	6.5x11.5xt1.5	
	5	025626	SPRAY HOSE ASSY	1		7.5X20M 3/4口	Incl.6,7 7.5x20M	
	6	023329	PACKING	1	5	6.5X11.5XT1.5	6.5x11.5xt1.5	
	7	023320	PACKING	1	5	11.5X16XT1.5	11.5x16xt1.5	
	8	120403	NOZZLE ASSY	1		HZ-22-20A(ZO-16)	Incl.9 Universal Nozzle 20A	
	9	120404	ORIFICE DISK NN-ZO-16	1			NN-20-16	492819
	10	130922	INSTRUCTION MANUAL	1		MS75E	MS75E	