

# PARTS LIST

## MS413EMH-NF (MUS)

### CONTENTS

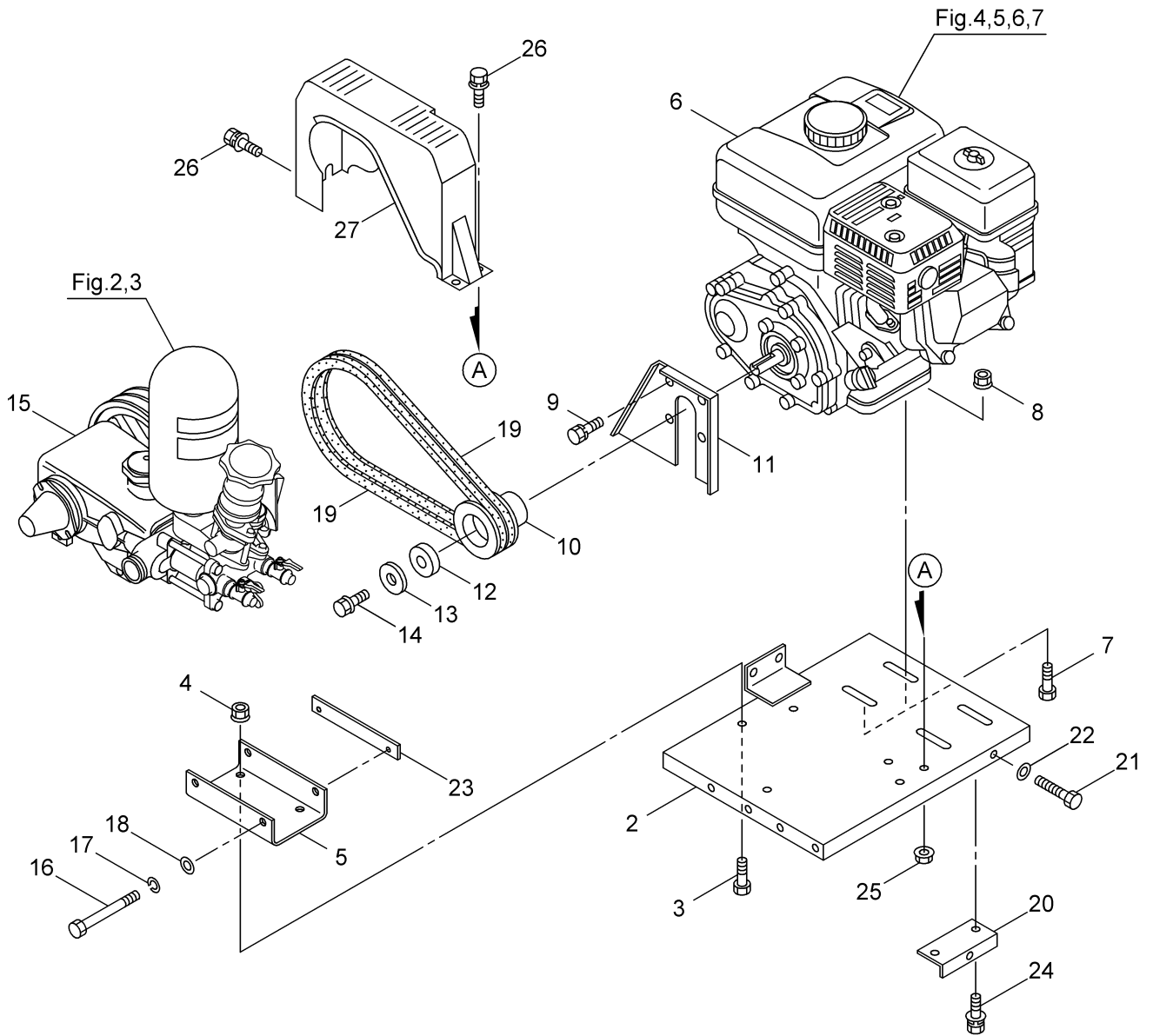
1. MAIN BODY, ACCESSORIES .....	1 ~ 2
2. POWER SPRAYER(CRANKCASE, SUCTION VALVE) .....	3 ~ 6
3. POWER SPRAYER(PRESSURE REGULATOR VALVE).....	7 ~ 10
4. CYLINDER BARREL, CYLINDER HEAD.....	11 ~ 14
5. CRANKSHAFT, PISTON, CAMSHAFT.....	15 ~ 16
6. CARBURETOR, AIR CLEANER.....	17 ~ 20
7. FUEL TANK, MUFFLER RECOIL STARTER .....	21 ~ 22

2008.10

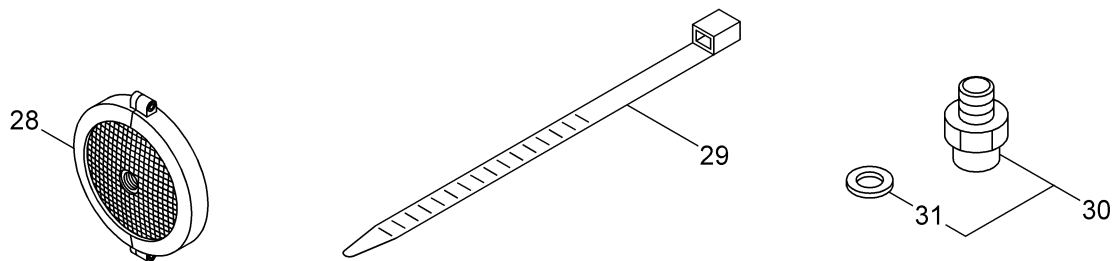


P/N. 522652

# 1. MS413EMH-NF(MUS) MAIN BODY, ACCESSORIES

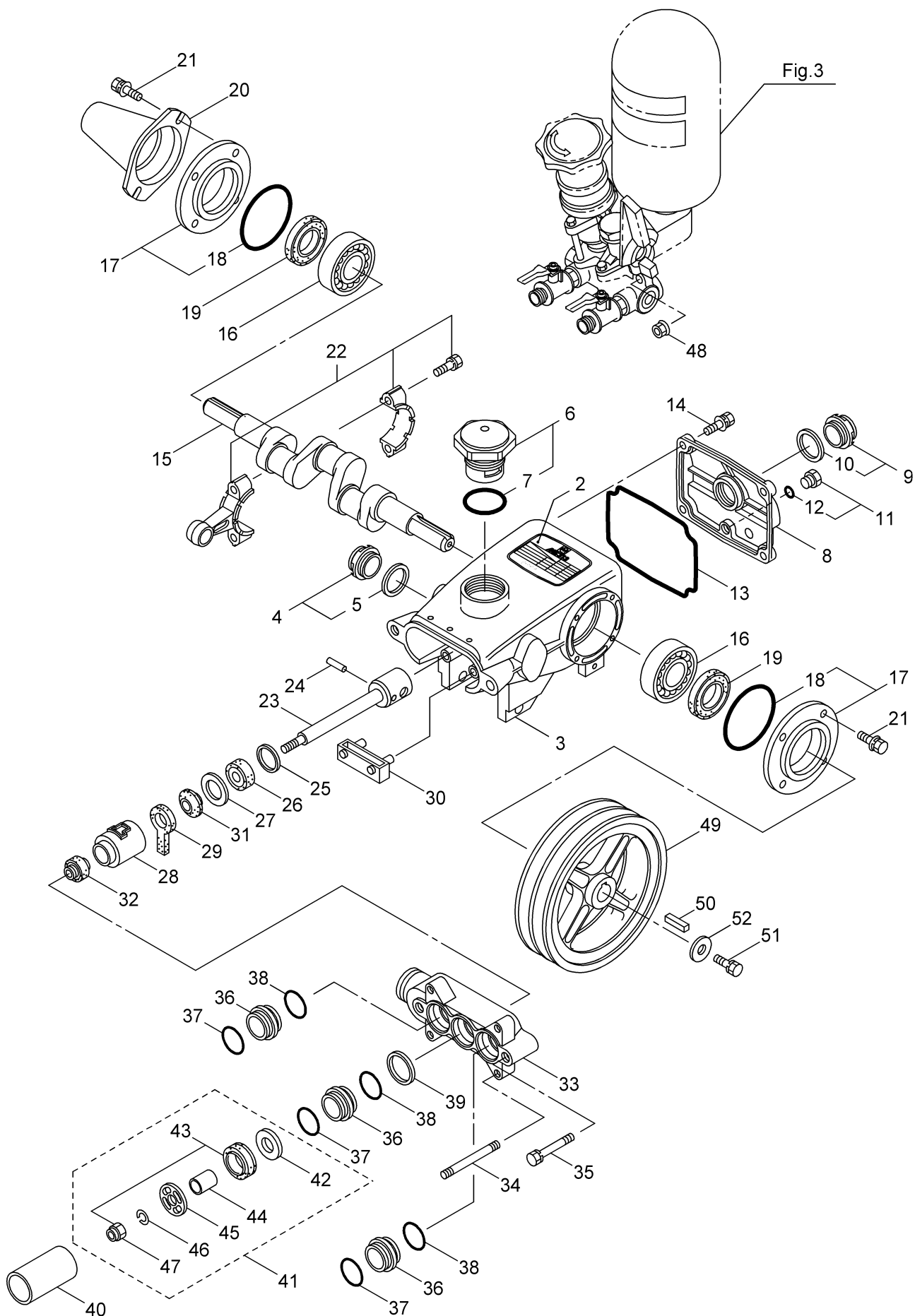


## ACCESSORIES



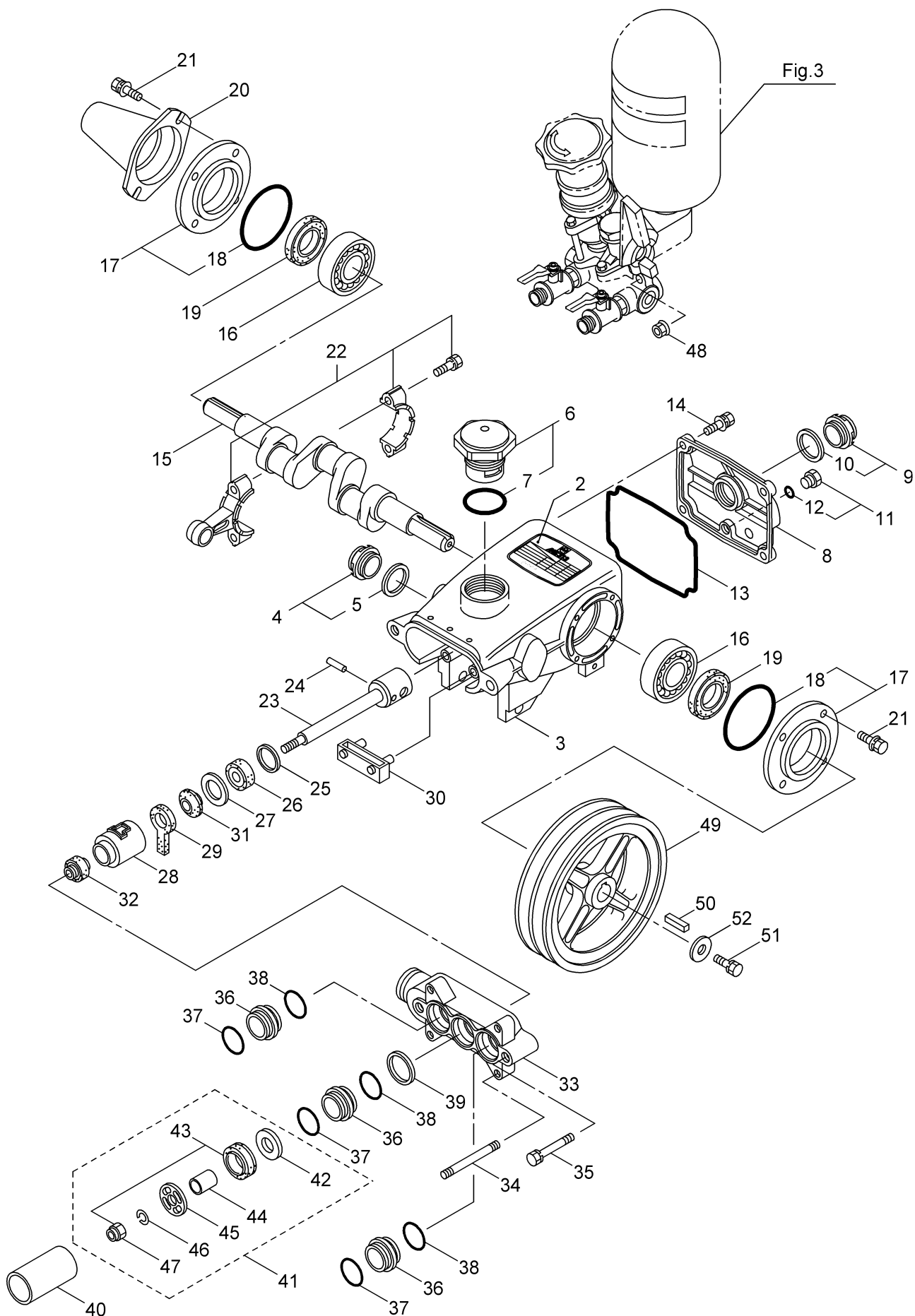
Ref.No.	Parts No.	Parts Name	Q'ty	Remarks
1-1	358116	MS413EMH-NF	1	MUS
1-2	541729	Base	1	
1-3	080126	Bolt	2	M8X20
1-4	101804	Nut	2	M8
1-5	540525	Rail	1	
1-6	543278	Engine	1	GX160K1-LX2
1-7	092526	Bolt	4	M8X35(M)
1-8	101804	Nut	4	M8
1-9	817011	Bolt	4	M8X12
1-10	540379	V-pulley	1	89XA2X20X5
1-11	549757	Stay	1	
1-12	020129	Washer	1	M20
1-13	090116	Washer	1	8.5X34XT3.2
1-14	092513	Bolt	1	M8X16
1-15	816699	Power Sprayer	1	MS413-A(EA)
1-16	126200	Bolt	2	M8X115X30
1-17	015845	Spring Washer	2	M8
1-18	014065	Washer	2	M8
1-19	039697	V-Belt	2	A26
1-20	540315	Belt Tension Plate	1	
1-21	549754	Bolt	1	M8X60
1-22	014065	Washer	1	M8
1-23	549784	Plate Nut	1	M8
1-24	092519	Bolt	2	M6X16(SMK)
1-25	100420	Nut	2	M6
1-26	817004	Bolt	2	M6X12(SM)
1-27	111218	Belt Cover	1	
1-28	122017	Sction Strainer Ass'y	1	
1-29	107107	Band	1	
1-30	811343	Extension Ass'y	1	Incl.31
1-31	011205	Packing	1	11.5X16.5X1.5

## 2. MS413EMH-NF(MUS) POWER SPRAYER(CRANKCASE, SUCTION VALVE)



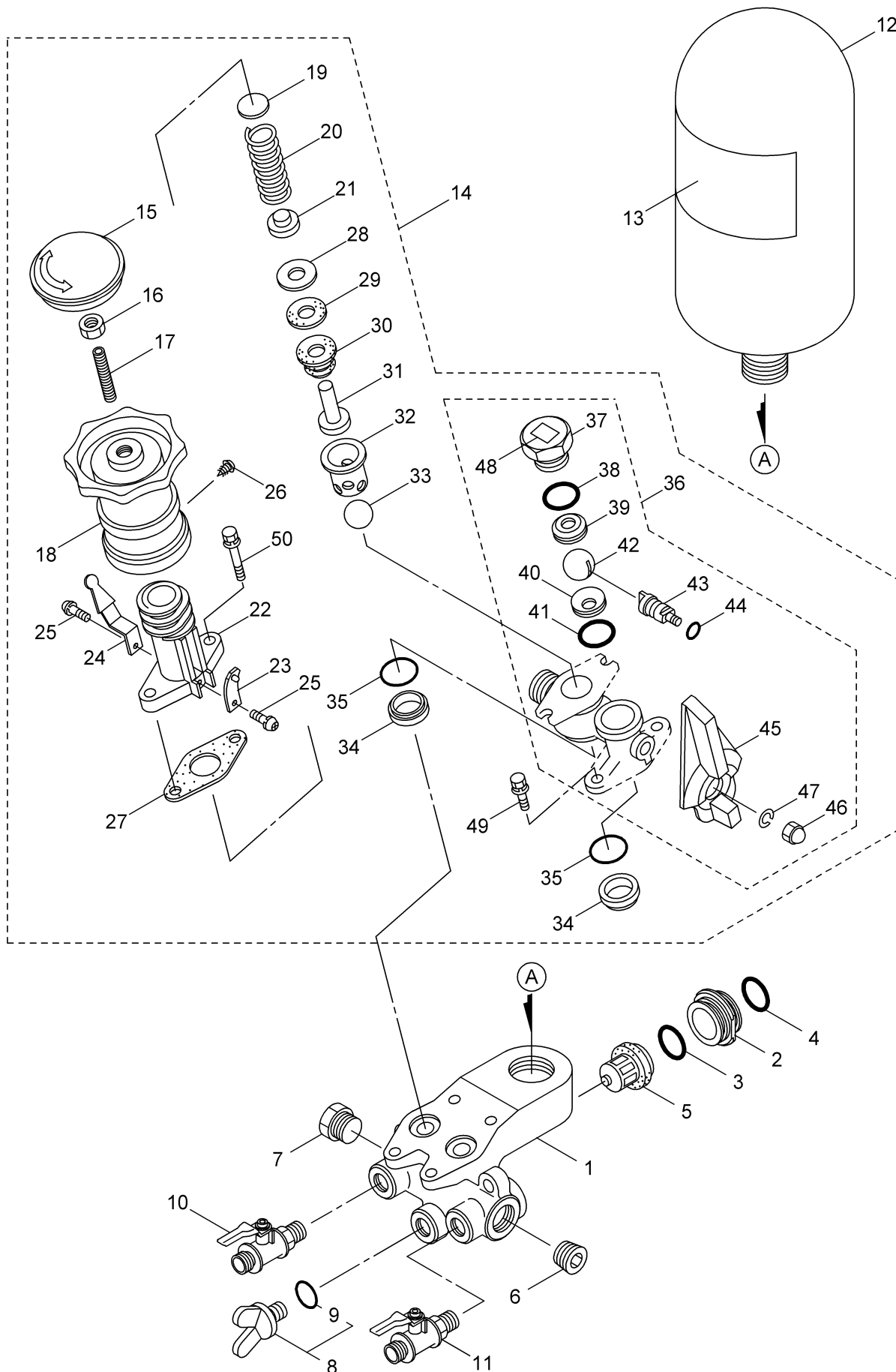
Ref.No.	Parts No.	Parts Name	Q'ty	Remarks
2-1	816699	Power Sprayer	1	MS413-A(EA)
2-2	128685	Label	1	MS413-A
2-3	126818	Crankcase	1	
2-4	092241	Oil Gauge Ass'y	1	Incl.5
2-5	044428	Packing	1	25X34XT2
2-6	091264	Oil Filler Cap	1	Incl.7 W35.85
2-7	014177	O-Ring	1	P35
2-8	122063	Rear Cover,Crankcase	1	
2-9	092241	Oil Gauge Ass'y	1	Incl.10
2-10	044428	Packing	1	25X34XT2
2-11	091376	Plug Ass'y	1	Incl.12 G1/4
2-12	023170	O-Ring	1	P12.5
2-13	048773	O-Ring	1	119X96X2.0
2-14	125824	Bolt	4	M6X16(SMK)
2-15	103921	Crankshaft	1	
2-16	014487	Bearing	2	#6304
2-17	595607	Oil Seal Case Ass'y	2	Incl.18
2-18	026536	O-Ring	2	51.8X1.5
2-19	024159	Oil Seal	2	TC20X40X10
2-20	025130	Shaft Protector	1	
2-21	125824	Bolt	8	M6X16(SMK)
2-22	048734	Connecting Rod Ass'y	3	
2-23	120827	Piston Rod Ass'y	3	
2-24	016948	Piston Pin	3	9X22
2-25	126259	Washer	3	17X24XT1.2
2-26	025461	Oil Seal	3	S10.5247
2-27	126189	Washer	3	20X28XT1.2
2-28	027710	Seal Retainer	3	
2-29	027711	Felt Packing	3	10X24X5
2-30	027712	Oil Pan	1	
2-31	026853	Packing	3	
2-32	100015	Seal	3	
2-33	105507	Inlet Manifold	1	
2-34	120829	Stud Bolt	4	M8X110X11X18
2-35	126190	Bolt	2	M8X45
2-36	022931	Adapter	3	
2-37	015862	O-Ring	3	P21
2-38	023172	O-Ring	3	P22
2-39	105508	Adapter Packing	1	26X28.5XT0.5
2-40	108065	Cylinder Pipe	3	25X28.5X55
2-41	632583	Inlet Valve Ass'y	3	Incl.42-47
2-42	014122	Inlet Valve	3	6.1X20XT2.8
2-43	632586	Piston Packing Set	3	Incl.47
2-44	027499	Spacer	3	6X8.5X11
2-45	119917	Piston Retainer	3	

## 2. MS413EMH-NF(MUS) POWER SPRAYER(CRANKCASE, SUCTION VALVE)



Ref.No.	Parts No.	Parts Name	Q'ty	Remarks
2-46	015849	Spring Washer	3	M6
2-47	046365	Nylon Nut	3	M6
2-48	126201	Nut	4	M8
2-49	100837	V-pulley	1	152-AX2
2-50	014543	Key	1	5X5X25
2-51	126258	Bolt	1	M8X20
2-52	126198	Washer	1	8.5X30XT3.2

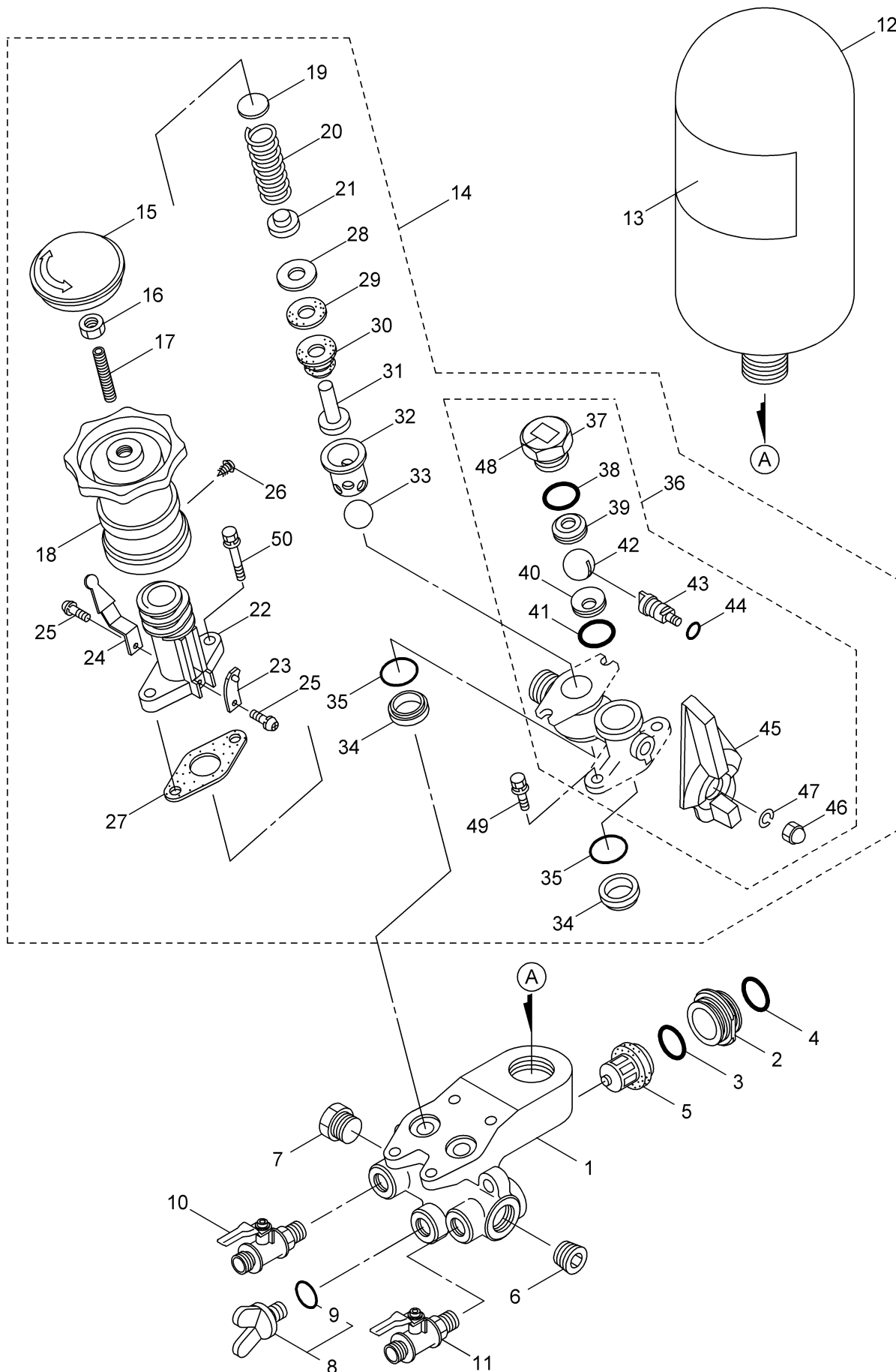
### 3. MS413EMH-NF(MUS) POWER SPRAYER(PRESSURE REGULATOR VALVE)





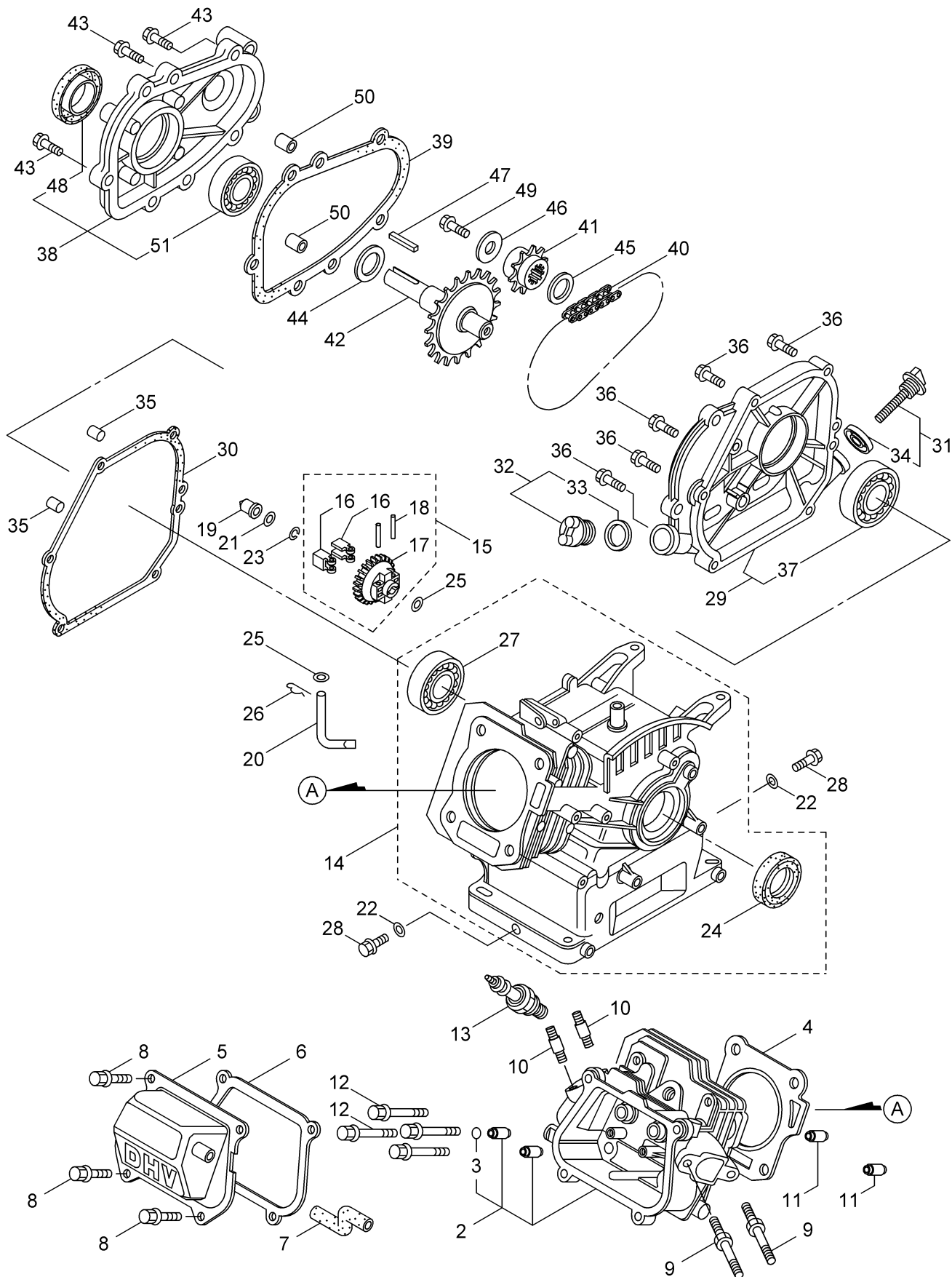
Ref.No.	Parts No.	Parts Name	Q'ty	Remarks
3-1	120831	Discharge Manifold	1	
3-2	105509	Pipe Receiver	3	
3-3	023172	O-Ring	3	P22
3-4	015862	O-Ring	3	P21
3-5	120276	Valve Ass'y	3	
3-6	120833	Plug	1	R1/2
3-7	108368	Plug	1	PT1/2
3-8	632737	Plug Set	1	Incl.9 G1/4
3-9	023170	O-Ring	1	P12.5
3-10	120834	Ball Cock	1	G1/4XR1/4
3-11	120835	Ball Cock	1	G3/8XR3/8
3-12	027928	Air Chamber	1	
3-13	121443	Label	1	
3-14	120836	Pressure Regulator Valve Ass'y	1	Incl.15-50
3-15	121005	Cap	1	
3-16	084015	Nut	1	M10
3-17	088975	Set Screw	1	M10X48
3-18	121006	Grip	1	
3-19	126196	Valve Seat	1	17X2.3
3-20	105520	Spring	1	3.2-35L
3-21	105521	Retainer	1	
3-22	105522	Spring Case	1	
3-23	108474	Seat Spring	1	
3-24	105524	Pressure Gauge	1	
3-25	092100	Screw	2	M4X6
3-26	089899	Tapping Screw	1	M4X13
3-27	105527	Packing	1	
3-28	012255	Washer	1	6.2X22XT0.6
3-29	016972	Bellows Packing	1	5X22X1.5
3-30	011451	Bellows	1	
3-31	016975	Valve Rod	1	
3-32	012256	Retainer	1	
3-33	107238	Valve Ball	1	12.7
3-34	020971	Valve Seat	2	10X20X6.5
3-35	014179	O-Ring	2	P20
3-36	121014	Pressure Regulator Valve Body	1	Incl.37-48
3-37	121689	Ball Retainer	1	
3-38	013971	O-Ring	1	S20
3-39	121690	Valve Seat	1	
3-40	121691	Valve Seat	1	
3-41	013967	O-Ring	1	S14
3-42	120840	Ball Valve	1	
3-43	120841	Ball Rotater	1	
3-44	013918	O-Ring	1	S5
3-45	121007	Handle	1	

### 3. MS413EMH-NF(MUS) POWER SPRAYER(PRESSURE REGULATOR VALVE)



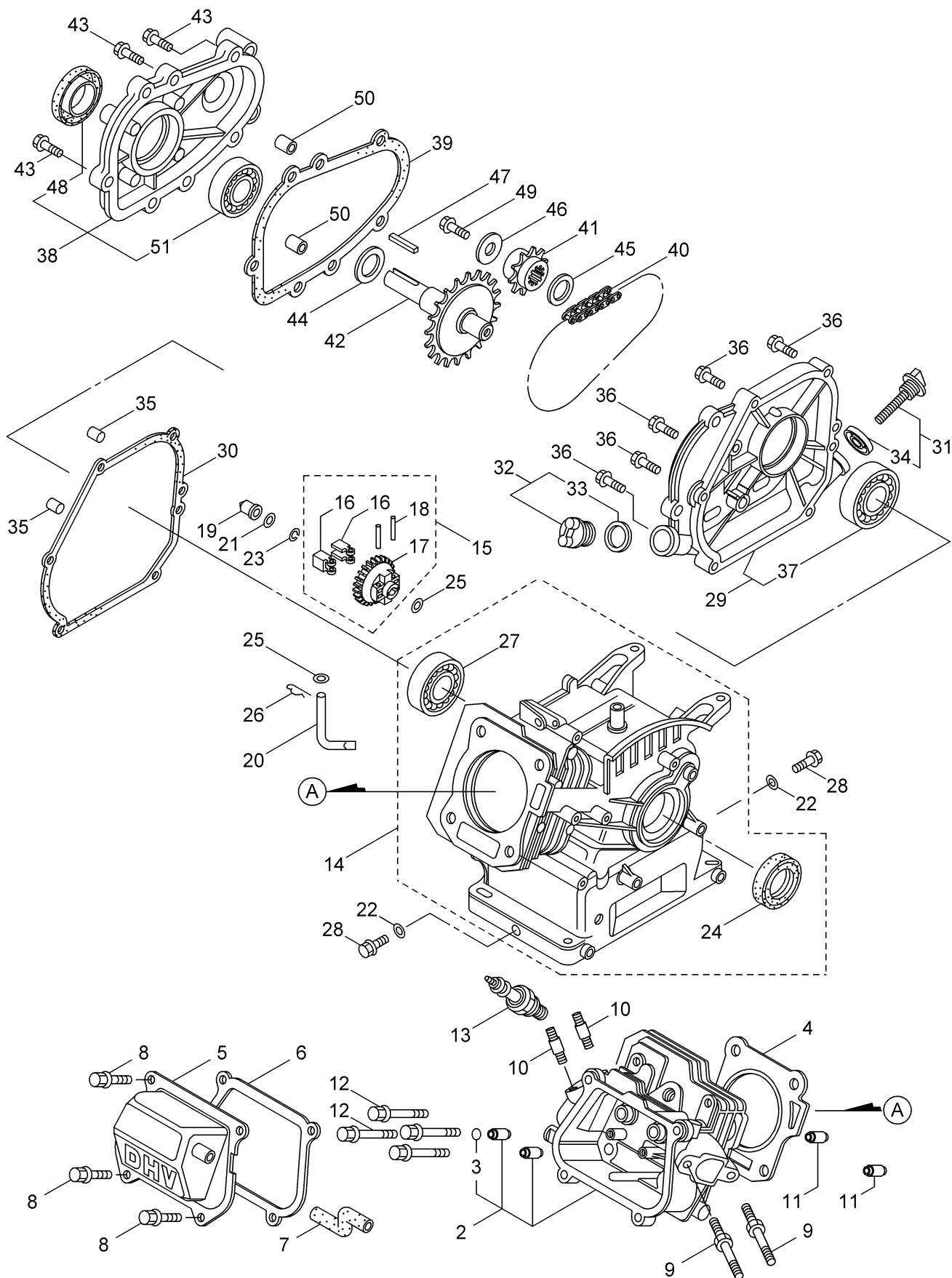
Ref.No.	Parts No.	Parts Name	Q'ty	Remarks
3-46	100166	Nut	1	M5
3-47	029754	Spring Washer	1	M5
3-48	108355	Label	1	
3-49	092542	Bolt	2	M6X20(SMK)
3-50	120843	Bolt	2	M6X55X20(SMK)

# 4. MS413EMH-NF(MUS) ENGINE CYLINDER BARREL, CYLINDER HEAD



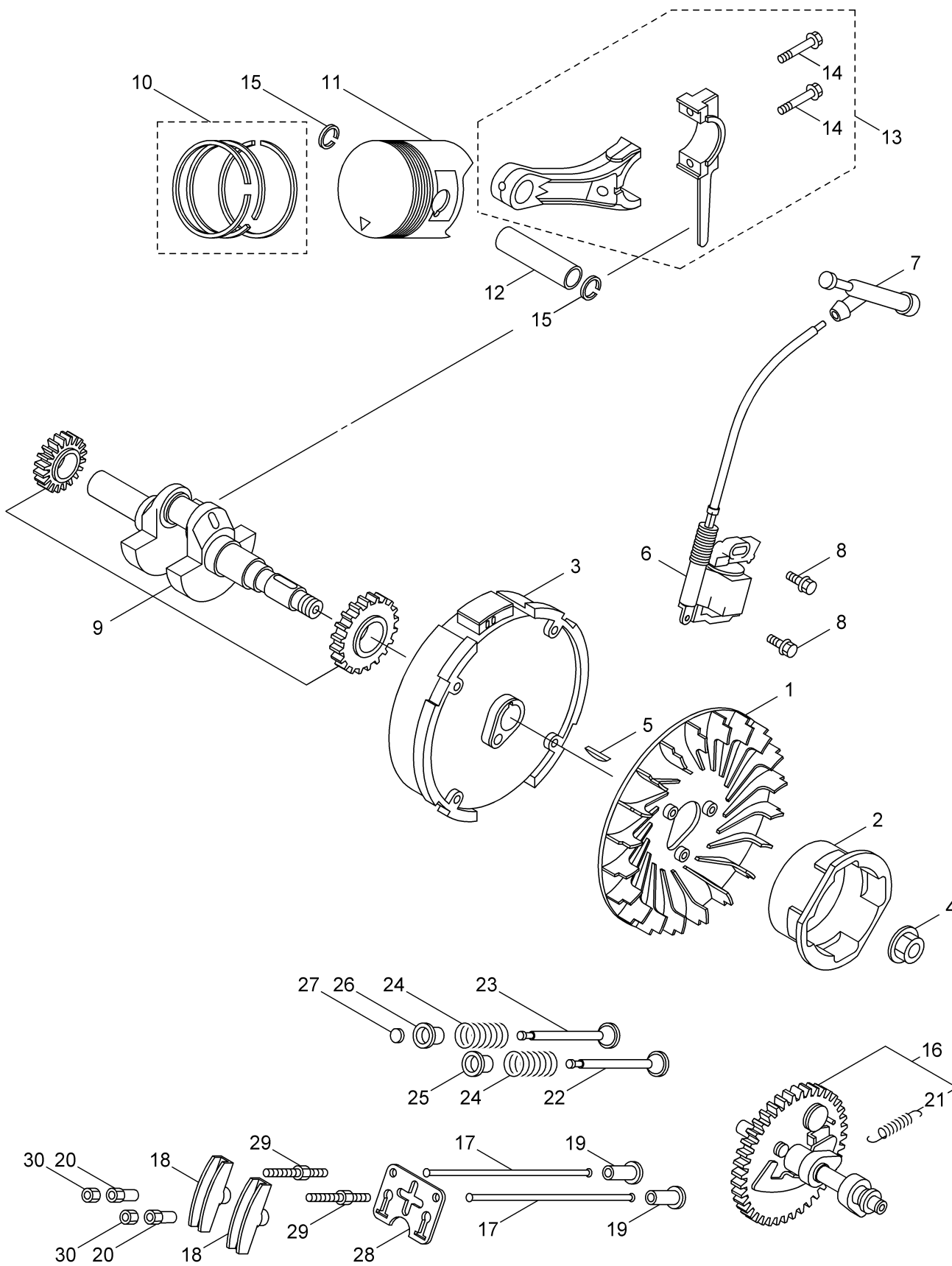
Ref.No.	Parts No.	Parts Name	Q'ty	Remarks
4-1	543278	Engine	1	GX160K1-LX2
4-2	625245	Cylinder Head Comp.	1	Incl.3
4-3	626339	Clip	1	
4-4	625246	Cylinder Head Gasket	1	
4-5	583644	Head Cover Comp.	1	
4-6	626340	Head Cover Gasket	1	
4-7	625223	Breather Tube	1	
4-8	990467	Flange Bolt	4	6X12
4-9	625224	Stud Bolt	2	
4-10	626343	Stud Bolt	2	
4-11	626344	Dowel Pin	2	
4-12	626345	Flange Bolt	4	
4-13	625225	Spark Plug	1	BPR6ES NGK
4-14	625247	Cylinder Barrel Ass'y	1	Incl.24,27
4-15	626317	Governor Ass'y	1	Incl.16-18
4-16	626318	Governor Weight	2	
4-17	626319	Governor Weight Holder	1	
4-18	998195	Governor Weight Pin	2	
4-19	626321	Governor Slider	1	
4-20	626327	Governor Arm Shaft	1	
4-21	626322	Thrust Washer	1	
4-22	998199	Drain Plug Washer	2	
4-23	625895	Governor Holder Clip	1	
4-24	626325	Oil Seal	1	
4-25	990493	Plain Washer	2	
4-26	990496	Lock Pin	1	
4-27	625248	Radial Ball Bearing	1	
4-28	998200	Drain Plug Bolt	2	
4-29	625249	Crankcase Cover Ass'y	1	Incl.37
4-30	625250	Case Cover Gasket	1	
4-31	626333	Oil Filler Cap Ass'y	1	Incl.34
4-32	626335	Oil Filler Cap Ass'y	1	Incl.33
4-33	626334	Packing,Oil Filler Cap	1	
4-34	626334	Packing,Oil Filler Cap	1	
4-35	990497	Dowel Pin	2	8X14
4-36	583671	Flange Bolt	6	
4-37	626332	Radial Ball Bearing	1	
4-38	583672	Chain Case Cover Ass'y	1	Incl.48,51
4-39	620748	Chain Case Cover Packing	1	
4-40	583674	P.T.O. Drive Chain	1	
4-41	625251	Drive Sprocket	1	
4-42	625252	P.T.O. Shaft	1	
4-43	998198	Flange Bolt	5	
4-44	583677	Thrust Spring	1	
4-45	583678	Spacer	1	

# 4. MS330EMH-NF(MUS) ENGINE CYLINDER BARREL,CYLINDER HEAD



Ref.No.	Parts No.	Parts Name	Q'ty	Remarks
4-46	583679	Washer	1	
4-47	620762	Key	1	5x5x33
4-48	626325	Oil Seal	1	
4-49	620763	Bolt	1	
4-50	990497	Dowel Pin	2	8X14
4-51	626332	Radial Ball Bearing	1	

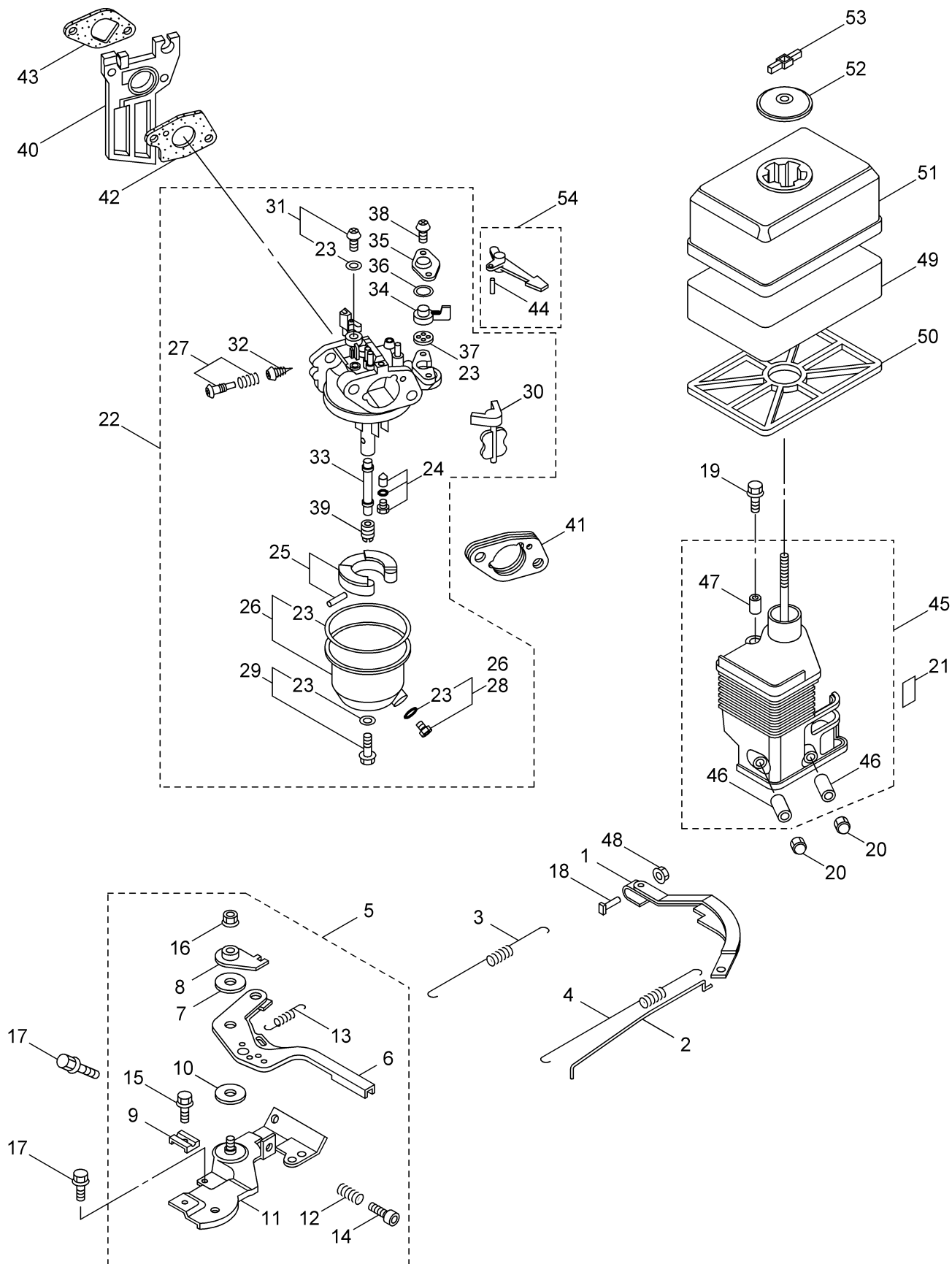
# 5. MS413EMH-NF(MUS) ENGINE CRANKSHAFT, PISTON, CAMSHAFT





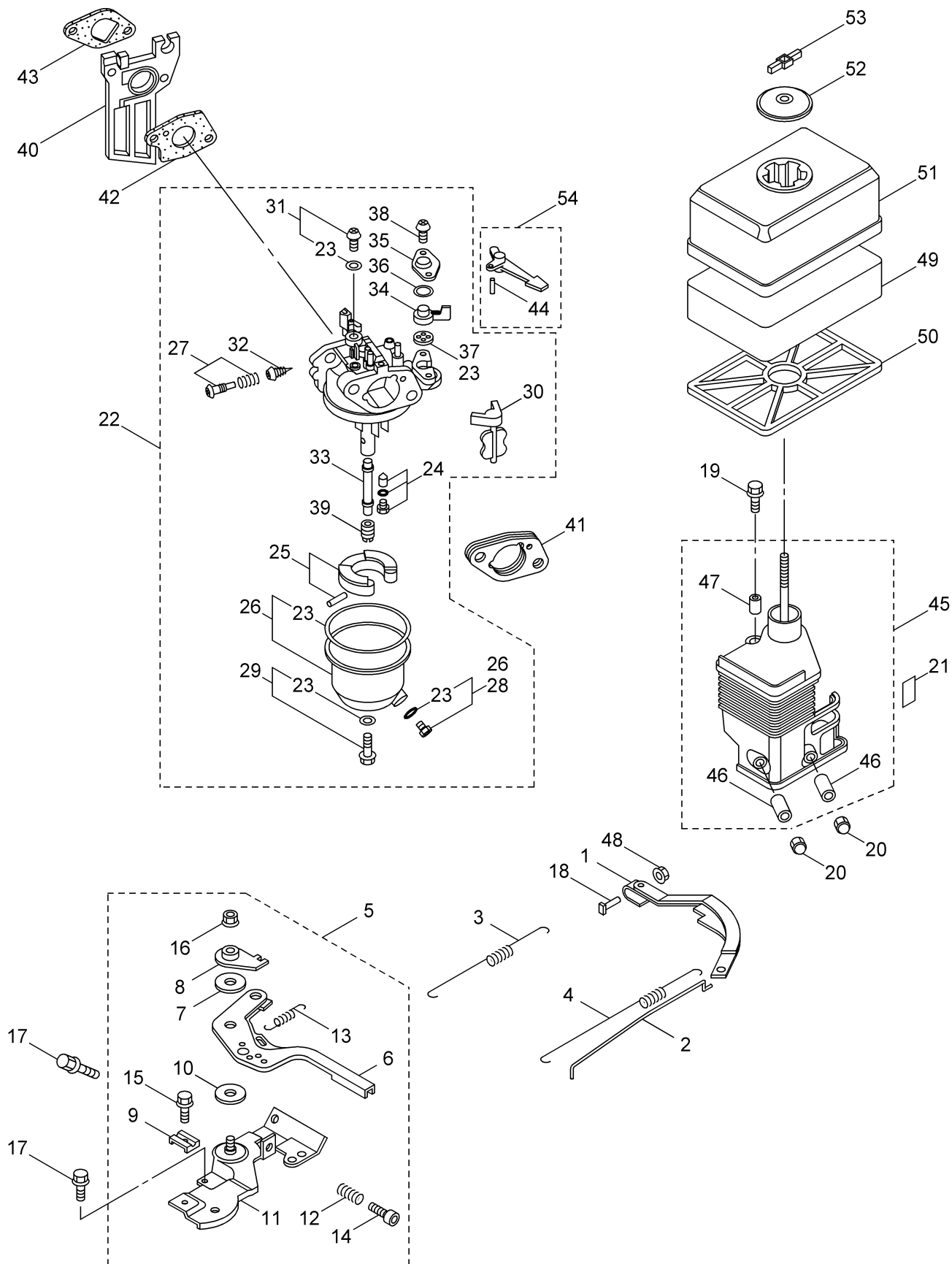
Ref.No.	Parts No.	Parts Name	Q'ty	Remarks
5-1	626384	Cooling Fan	1	
5-2	626385	Starter Pulley	1	
5-3	626386	Flywheel Comp.	1	
5-4	626388	Special Nut	1	
5-5	626383	Special Woodruff Key	1	
5-6	625232	Ignition Coil Ass'y	1	
5-7	625233	Cap Ass'y	1	
5-8	998214	Flange Bolt	2	6X25
5-9	583689	Crankshaft Comp.	1	
5-10	625253	Piston Ring Set	1	
5-11	625254	Piston	1	
5-12	626355	Piston Pin	1	
5-13	583695	Connecting Rod Ass'y	1	Incl.14
5-14	626357	Connecting Rod Bolt	2	
5-15	626358	Piston Pin Clip	2	
5-16	626346	Camshaft Ass'y	1	Incl.21
5-17	626347	Push Rod	2	
5-18	626348	Valve Rocker Arm	2	
5-19	626349	Valve Lifter	2	
5-20	583702	Rocker Arm Pivot	2	
5-21	625925	Weight Return Spring	1	
5-22	625255	Inlet Valve	1	
5-23	625256	Exhaust Valve	1	
5-24	626350	Valve Spring	2	
5-25	626351	Retainer	1	
5-26	626352	Retainer	1	
5-27	626353	Valve Rotator	1	
5-28	626354	Push Rod Guide Plate	1	
5-29	625938	Pivot Bolt	2	
5-30	625939	Pivot Adjusting Nut	2	

# 6. MS4132EMH-NF(MUS) ENGINE CARBURETOR, AIR CLEANER



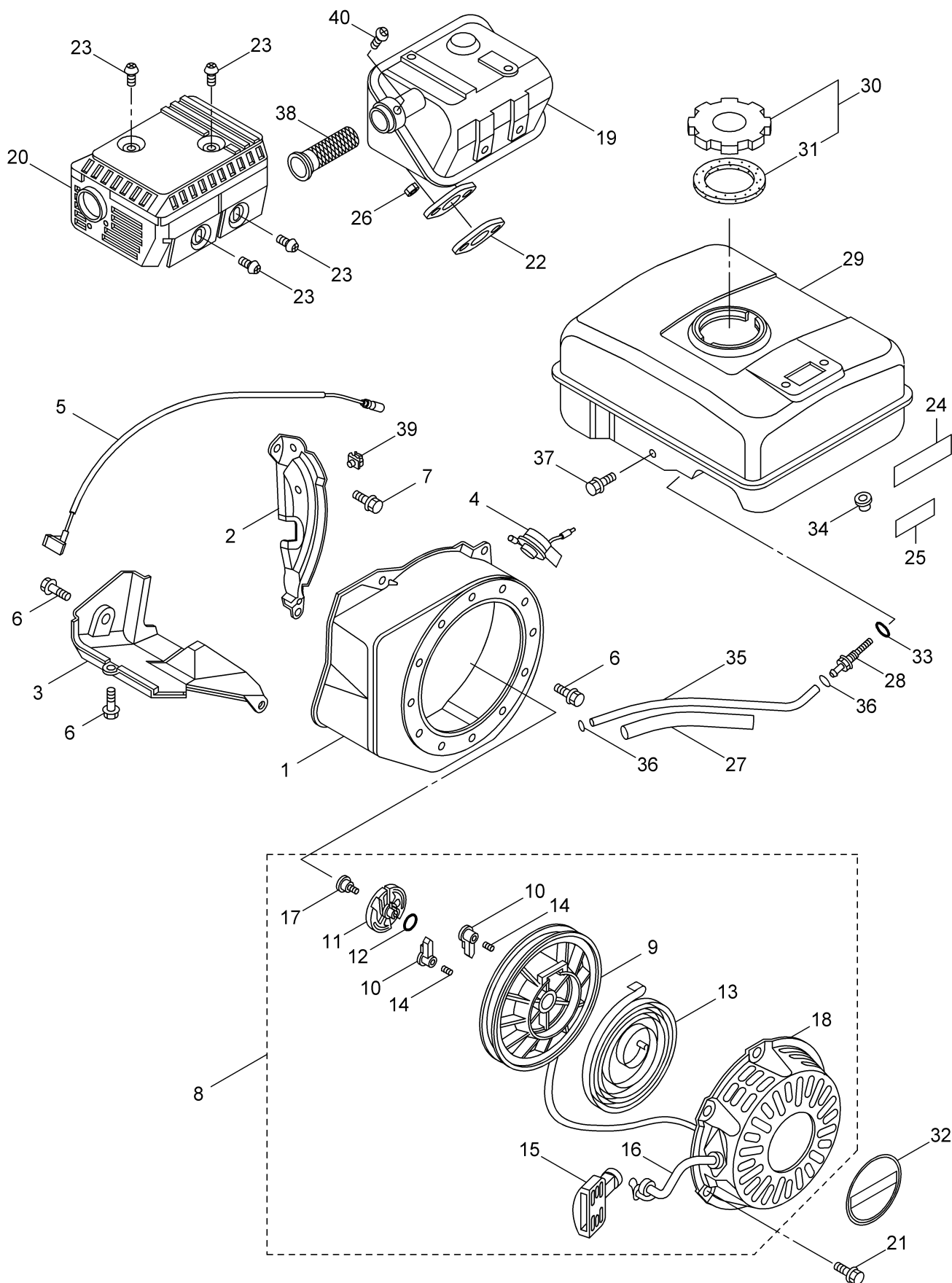
Ref.No.	Parts No.	Parts Name	Q'ty	Remarks
6-1	626379	Governor Arm	1	
6-2	626380	Governor Rod	1	
6-3	583715	Governor Spring	1	
6-4	626382	Throttle Return Spring	1	
6-5	625257	Control Ass'y	1	Incl.6-16
6-6	625258	Control Lever	1	
6-7	998280	Lever Spring	1	
6-8	620829	Control Lever Washer	1	
6-9	990418	Cable Holder	1	
6-10	998278	Control Lever Spacer	1	
6-11	625259	Control Base Comp.	1	
6-12	990419	Control Adjusting Spring	1	
6-13	583721	Cable Return Spring	1	
6-14	620831	Pan Screw	1	
6-15	620832	Pan Screw	1	
6-16	583724	Self Lock Nut	1	
6-17	990467	Flange Bolt	2	6X12
6-18	626007	Governor Arm Bolt	1	
6-19	583756	Bolt	1	
6-20	990487	Flange Nut	2	
6-21	620846	Choke Mark	1	
6-22	625260	Carburetor Ass'y	1	Incl.23-38
6-23	620833	Gasket Set	1	Incl.44
6-24	998250	Float Valve Set	1	
6-25	626364	Float Set	1	
6-26	583730	Float Chamber Set	1	Incl.23,28
6-27	998257	Pilot Screw Set	1	
6-28	998255	Drain Screw Set	1	Incl.23
6-29	626367	Screw Set	1	Incl.23
6-30	626368	Choke Set	1	
6-31	998260	Pilot Jet Set	1	Incl.23 #35
6-32	998258	Throttle Stop Screw	1	
6-33	625270	Main Nozzle	1	
6-34	583741	Cock Lever	1	
6-35	998266	Lever Setting Plate	1	
6-36	998265	Cock Lever Spring	1	
6-37	620840	Gasket,Petcock	1	
6-38	620841	Pan Screw	2	
6-39	625262	Main Jet	1	#65
6-40	626374	Insulator	1	
6-41	583737	Carburetor Spacer Comp.	1	
6-42	625236	Carburetor Packing	1	
6-43	625261	Insulator Gasket	1	
6-44	626377	Spring Pin	1	
6-45	583751	Air Cleaner Elbow Comp.	1	Incl.46,47

# 6. MS4132EMH-NF(MUS) ENGINE CARBURETOR, AIR CLEANER



Ref.No.	Parts No.	Parts Name	Q'ty	Remarks
6-46	583749	Air Cleaner Collar	2	
6-47	583750	Air Cleaner Collar B	1	
6-48	990487	Flange Nut	1	
6-49	583746	Air Cleaner Element	1	
6-50	583747	Air Cleaner Grid	1	
6-51	583748	Air Cleaner Cover	1	
6-52	583752	Cleaner Cap	1	
6-53	990471	Wingnut	1	
6-54	583740	Choke Lever Comp.	1	Incl.44

# 7. MS413EMH-NF(MUS) ENGINE FUEL TANK, MUFFLER RECOIL STARTER



Ref.No.	Parts No.	Parts Name	Q'ty	Remarks
7-1	625263	Fan Cover Comp.	1	
7-2	625264	Side Plate	1	
7-3	625265	Shroud Comp.	1	
7-4	625240	Stop Switch Ass'y	1	
7-5	620851	Stop Switch Cord	1	
7-6	990467	Flange Bolt	6	6X12
7-7	626393	Flange Bolt	1	
7-8	620853	Recoil Starter Ass'y	1	Incl.9-18
7-9	626448	Recoil Starter Reel	1	
7-10	626449	Starter Ratchet	2	
7-11	626450	Ratchet Guide	1	
7-12	626451	Friction Spring	1	
7-13	626452	Recoil Starter Spring	1	
7-14	626453	Return Spring	2	
7-15	620862	Recoil Starter Knob	1	
7-16	626455	Recoil Starter Rope	1	
7-17	626456	Setting Screw	1	
7-18	620854	Recoil Starter Case Comp.	1	
7-19	625267	Muffler Comp.	1	
7-20	620867	Muffler Protector	1	
7-21	626232	Flange Bolt	3	
7-22	626624	Muffler Gasket	1	
7-23	583785	Tapping Screw	4	
7-24	620847	Label	1	
7-25	625241	Label	1	
7-26	626627	Nut	2	
7-27	620869	Supporter Rubber	1	
7-28	583789	Fuel Tank Joint	1	
7-29	625268	Fuel Tank Comp.	1	
7-30	620871	Fuel Filler Cap Comp.	1	Incl.31
7-31	620872	Gasket,Fuel Filler Cap	1	
7-32	625266	Emblem	1	
7-33	625228	O-Ring	1	
7-34	990487	Flange Nut	2	
7-35	583795	Fuel Tube	1	
7-36	990499	Tube Clip	2	
7-37	583796	Flange Bolt	1	
7-38	625269	Spark Arrester	1	
7-39	625242	Clip	1	
7-40	583786	Tapping Screw	1	4x6