

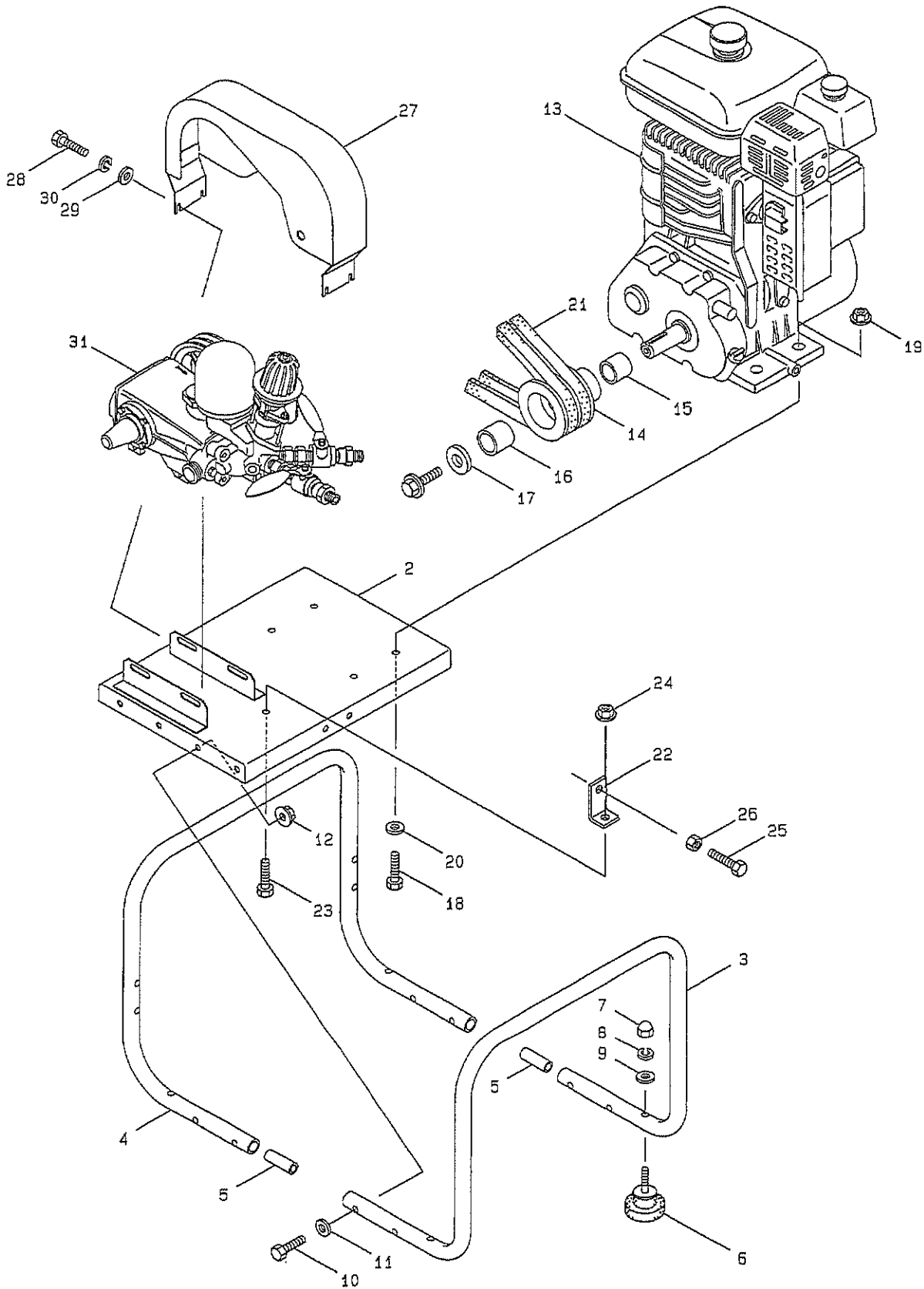


# MS410EC-2M, 2K

## POWER SPRAYER

Illustrated Parts Lookup - MS410EC-2K, 002 - FRAME

1. MS310EC-2M, 2K · MS410EC-2M, 2K  
7V-4 FRAME



356181-1  
356101-1  
356180-1

# Illustrated Parts Lookup

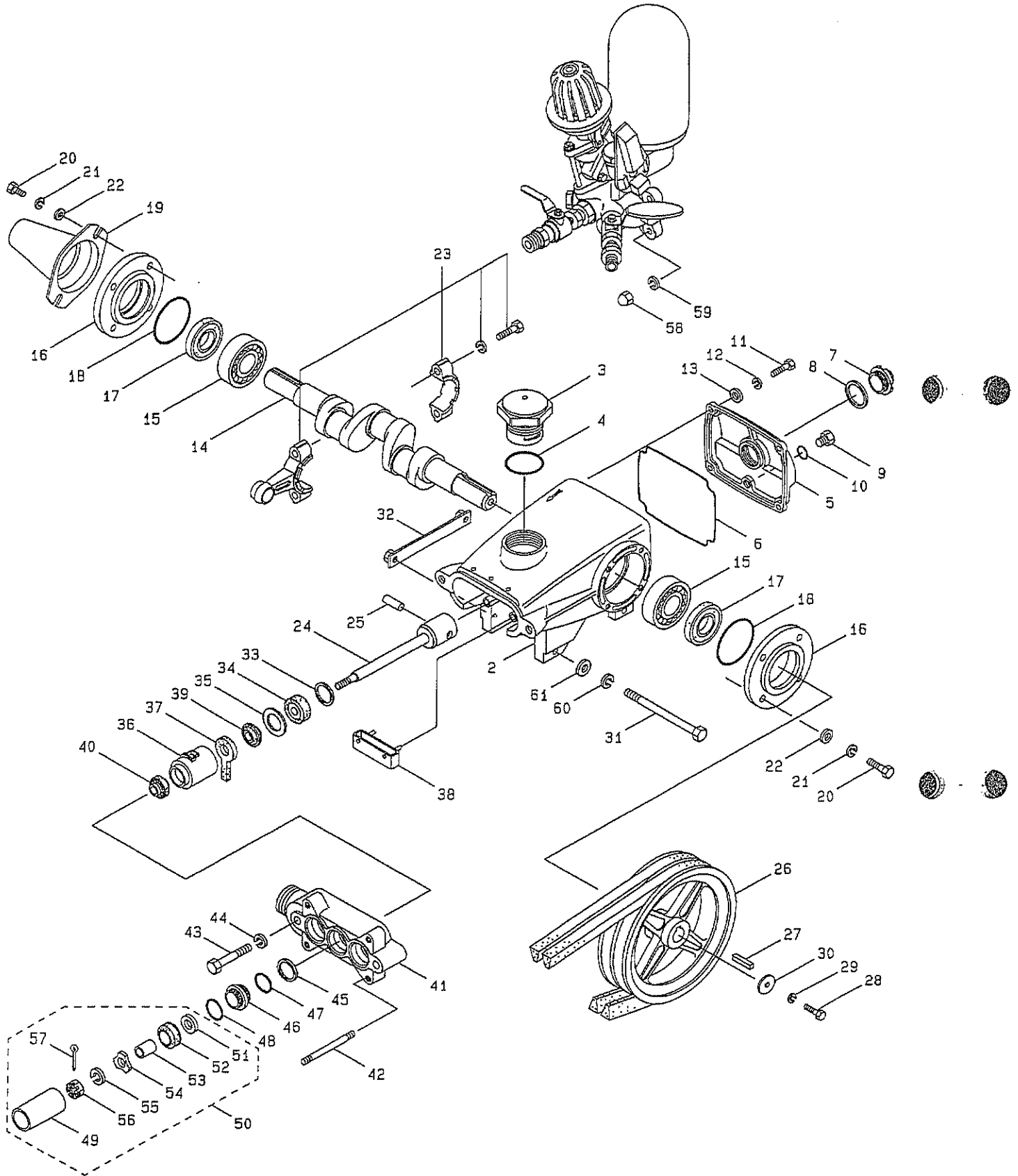
## Parts for MARUYAMA Model "MS410EC-2K", Image Section "002 - FRAME"

Item	Part Number	Part Description	Alt Part	Series	Qty
1-1	356102	MS410EC-2K			1
1-2	111271	SET BASE			
1-3	108642	FRAME A			
1-4	108643	FRAME B			
1-5	107170	PIPE			
1-6	106378	BUMPER RUBBER			
1-7	018972	CAP NUT			
1-8	015845	SPRING WASHER			
1-9	014065	WASHER M8			
1-10	080138	BOLT			
1-11	014065	WASHER M8			
1-12	101804	HEX FLANGE NUT			
1-13	111284	ENGINE			1
1-14	110817	V-PULLEY			
1-15	104339	COLLAR			
1-16	106382	COLLAR			
1-17	090116	WASHER			
1-18	080137	BOLT			
1-19	101804	HEX FLANGE NUT			
1-20	014065	WASHER M8			
1-21	108645	V-BELT			1
1-22	108650	BELT TENSION PLATE			
1-23	080126	BOLT			
1-24	101804	HEX FLANGE NUT			
1-25	080178	BOLT M8X60			
1-26	081039	USE PART #081040	081040		
1-27	108651	BELT COVER			
1-28	082098	BOLT M6X16			
1-29	013754	WASHER			
1-30	012502	SPRING WASHER			
1-31	108646	MS410			1

# Illustrated Parts Lookup - MS410EC-2K, 005 - POWER SPRAYER

## 4. MS410EC-2M, 2K

動力噴霧機 POWER SPRAYER



# Illustrated Parts Lookup

## Parts for MARUYAMA Model "MS410EC-2K", Image Section "005 - POWER SPRAYER"

Item	Part Number	Part Description	Alt Part	Series	Qty
4-1	108646	MS410			
4-2	105503	CRANKCASE			
4-3	043211	OIL INLET CAP			
4-4	014177	O-RING, OIL FILTER CAP			
4-5	105506	CRANKCASE CAP			
4-6	044835	O-RING, REAR COVER			
4-7	043987	USE PART #092241	092241		
4-8	044428	PACKING			
4-9	025625	DRAIN PLUG			
4-10	023170	O-RING, DRAIN PLUG			
4-11	089551	HEX HEAD SCREW			
4-12	012502	SPRING WASHER			
4-13	012488	WASHER M6			
4-14	043163	CRANKSHAFT			
4-15	014487	BEARING			
4-16	026625	OIL SEAL CASE			
4-17	024159	OIL SEAL			
4-18	026536	O-RING, OIL SEAL CASE			
4-19	025130	SHAFT PROTECTOR			
4-20	089551	HEX HEAD SCREW			
4-21	012502	SPRING WASHER			
4-22	012488	WASHER M6			
4-23	024139	CONNECTION ROD ASSY			
4-24	103382	PISTON ROD			
4-25	016948	PISTON PIN			
4-26	100837	V-PULLEY			
4-27	014543	KEY			
4-28	080126	BOLT			
4-29	015845	SPRING WASHER			
4-30	100836	WASHER			
4-31	080275	BOLT M8X115X30			
4-32	108649	NUT			
4-33	020017	WASHER			
4-34	025461	OIL SEAL			
4-35	026854	WASHER			
4-36	027710	SEAL PACKING RETAINER			
4-37	027711	FELT PACKING			
4-38	027712	OIL PAN			
4-39	026853	PACKING			
4-40	100015	SEAL PACKING			
4-41	105507	INLET MANIFOLD			
4-42	085684	STUD			
4-43	080144	BOLT			
4-44	015845	SPRING WASHER			
4-45	105508	PACKING			
4-46	022931	PIPE RECEIVER			
4-47	023172	O-RING (P22)			
4-48	015862	O-RING			

# Illustrated Parts Lookup

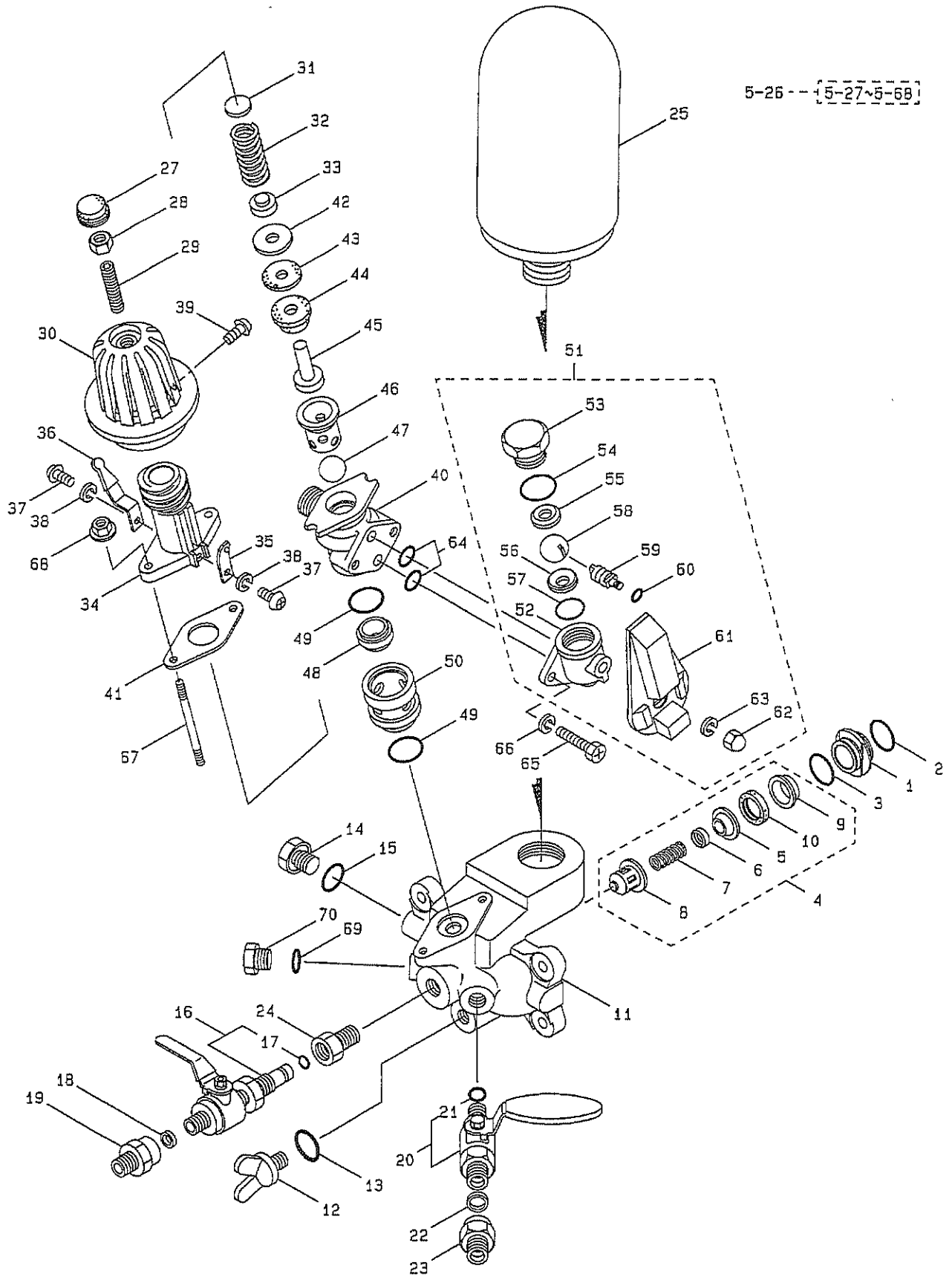
## Parts for MARUYAMA Model "MS410EC-2K", Image Section "005 - POWER SPRAYER"

Item	Part Number	Part Description	Alt Part	Series	Qty
4-49	108065	CYLINDER PIPE			
4-50	812160	INLET VALVE ASSY			
4-51	014122	SUCTION VALVE SEAT			
4-52	108574	USE PART #116121	116121		
4-53	027499	SUCTION VALVE COLLAR			
4-54	027500	SUCTION VALVE STOPPER			
4-55	015849	SPRING WASHER M6			
4-56	027000	SLOTTED NUT			
4-57	012725	PIN, COTTER (1.6X10)			
4-58	013913	CAP NUT			
4-59	029760	SPRING WASHER			
4-60	015845	SPRING WASHER			
4-61	014065	WASHER M8			

Illustrated Parts Lookup - MS410EC-2K, 008 - PRESSURE REGULATOR

5. MS410EC-2M, 2K

調圧装置 PRESSURE REGULATOR



# Illustrated Parts Lookup

## Parts for MARUYAMA Model "MS410EC-2K", Image Section "008 - PRESSURE REGULATOR"

Item	Part Number	Part Description	Alt Part	Series	Qty
5-1	105509	ADAPTER			
5-2	015862	O-RING			
5-3	023172	O-RING (P22)			
5-4	105510	DISCHARGE VALVE ASSY			
5-5	105511	VALVE SEAT			
5-6	022842	DISCHARGE VALVE			
5-7	022031	DISCHARGE VALVE SPRING			
5-8	105512	VALVE SPRING RETAINER			
5-9	105513	PACKING RING			
5-10	105514	VALVE CASE			
5-11	108647	DISCHARGE MANIFOLD			
5-12	108366	DRAIN PLUG			
5-13	023170	O-RING, DRAIN PLUG			
5-14	108367	PLUG			
5-15	023170	O-RING, DRAIN PLUG			
5-16	108361	COCK ASSY			
5-17	022056	O-RING, COCK			
5-18	013995	PACKING			
5-19	108365	USE PART #091010	091010		
5-20	108394	COCK ASSY			
5-21	011373	O-RING			
5-22	011117	USE PART #023320	023320		
5-23	108398	EXTENSION			
5-24	108648	EXTENTION			
5-25	027928	USE PART #108416	108416		
5-26	108346	USE PART #816532	816532		
5-27	105518	CAP			
5-28	081050	NUT			
5-29	088975	HEX SOCKET HEAD SCREW (M10X48)			
5-30	105519	USE PART #118660	118660		
5-31	019917	P R VALVE SPRING SEAT			
5-32	105520	COIL SPRING			
5-33	105521	SPRING RETAINER			
5-34	105522	SPRING CASE			
5-35	108474	PLATE SPRING			
5-36	105524	PRESSURE INDICATOR			
5-37	089785	SCREW			
5-38	012499	SPRING WASHER M4			
5-39	088314	SCREW			
5-40	105526	PRESSURE VALVE BODY			
5-41	105527	PACKING			
5-42	012255	P R VALVE BELLOWS WASHER			
5-43	016972	P R VALVE BELLOWS PACKING			
5-44	011451	P R VALVE BELLOWS			
5-45	016975	P R ROD VALVE			
5-46	012256	P R VALVE SACK			
5-47	107238	VALVE BALL			
5-48	105528	VALVE SEAT			



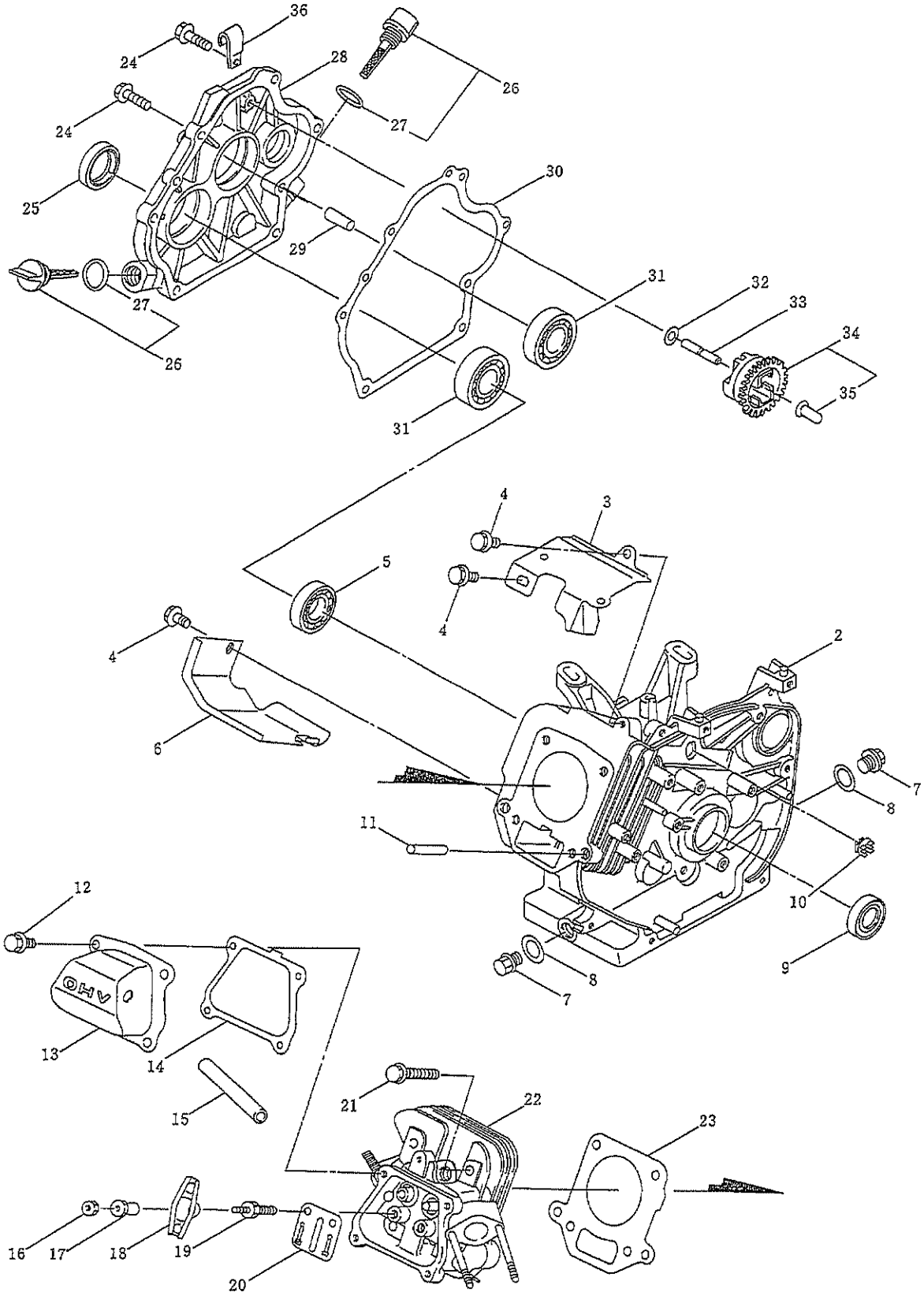
# Illustrated Parts Lookup

## Parts for MARUYAMA Model "MS410EC-2K", Image Section "008 - PRESSURE REGULATOR"

Item	Part Number	Part Description	Alt Part	Series	Qty
5-49	014179	O-RING, VALVE BODY			
5-50	105529	VALVE RETAINER			
5-51	108347	BY-PASS VALVE ASSY			
5-52	108348	VALVE BODY			
5-53	108349	BALL RETAINER			
5-54	013971	O-RING			
5-55	108350	VALVE SEAT			
5-56	105584	VALVE SEAT			
5-57	013967	O-RING SLEEVE			
5-58	108351	BALL VALVE			
5-59	108352	BALL ROTATER			
5-60	013918	O-RING			
5-61	108353	HANDLE			
5-62	100166	CAP NUT			
5-63	029754	SPRING WASHER			
5-64	043977	O-RING			
5-65	089672	BOLT			
5-66	015849	SPRING WASHER M6			
5-67	085604	STUD			
5-68	108463	HEX FLANGE NUT			
5-69	022056	O-RING, COCK			
5-70	108587	DRAIN PLUG			

14. MS410EC-2M エンジン ENGINE

クランクケース  
CRANKCASE



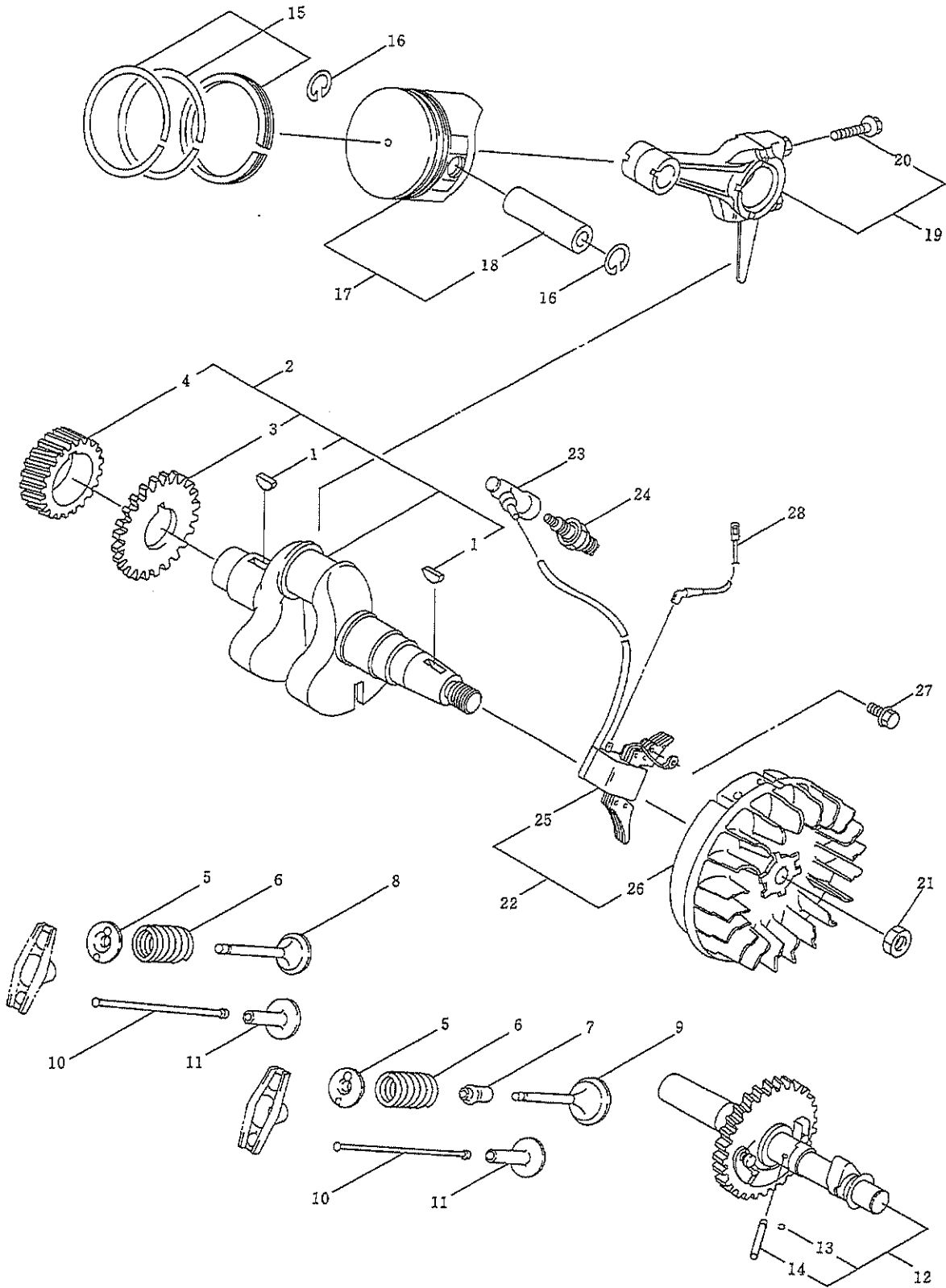
# Illustrated Parts Lookup

## Parts for MARUYAMA Model "MS410EC-2K", Image Section "012 - ENGINE/CRANKCASE"

Item	Part Number	Part Description	Alt Part	Series	Qty
14-1	111284	ENGINE			
14-2	578374	CYLINDER BLOCK			
14-3	578074	TOP COVER			
14-4	578075	FLANGE BOLT			
14-5	993950	BALL BEARING			
14-6	578076	CYLINDER COVER			
14-7	947359	DRAIN PLUG			
14-8	572820	GASKET			
14-9	993955	OIL SEAL			
14-10	578077	CLIP			
14-11	578078	DOWEL PIN			
14-12	578075	FLANGE BOLT			
14-13	578079	HEAD COVER			
14-14	578080	GASKET HEAD COVER			
14-15	578081	BREATHER TUBE			
14-16	578082	NUT			
14-17	578083	NUT			
14-18	578084	ROCKER ARM			
14-19	578085	BOLT			
14-20	578086	PLATE			
14-21	578087	FLANGE BOLT			
14-22	578375	CYLINDER HEAD ASSEMBLY			
14-23	578376	HEAD GASKET			
14-24	993975	FLANGE BOLT			
14-25	993976	OIL SEAL			
14-26	578090	OIL GAUGE			
14-27	974038	O-RING			
14-28	578377	CRANKCASE COVER			
14-29	578078	DOWEL PIN			
14-30	578378	GASKET			
14-31	990082	BALL BEARING			
14-32	947565	WASHER			
14-33	993981	GOVERNOR SHAFT			
14-34	578093	GOVERNOR GEAR ASSEMBLY			
14-35	578094	GOVERNOR SLIDER			
14-36	990122	CLAMP			

15. MS410EC-2M エンジン ENGINE

クランクシャフト イグニッション ハルブ  
CRANKSHAFT, IGNITION, VALVE



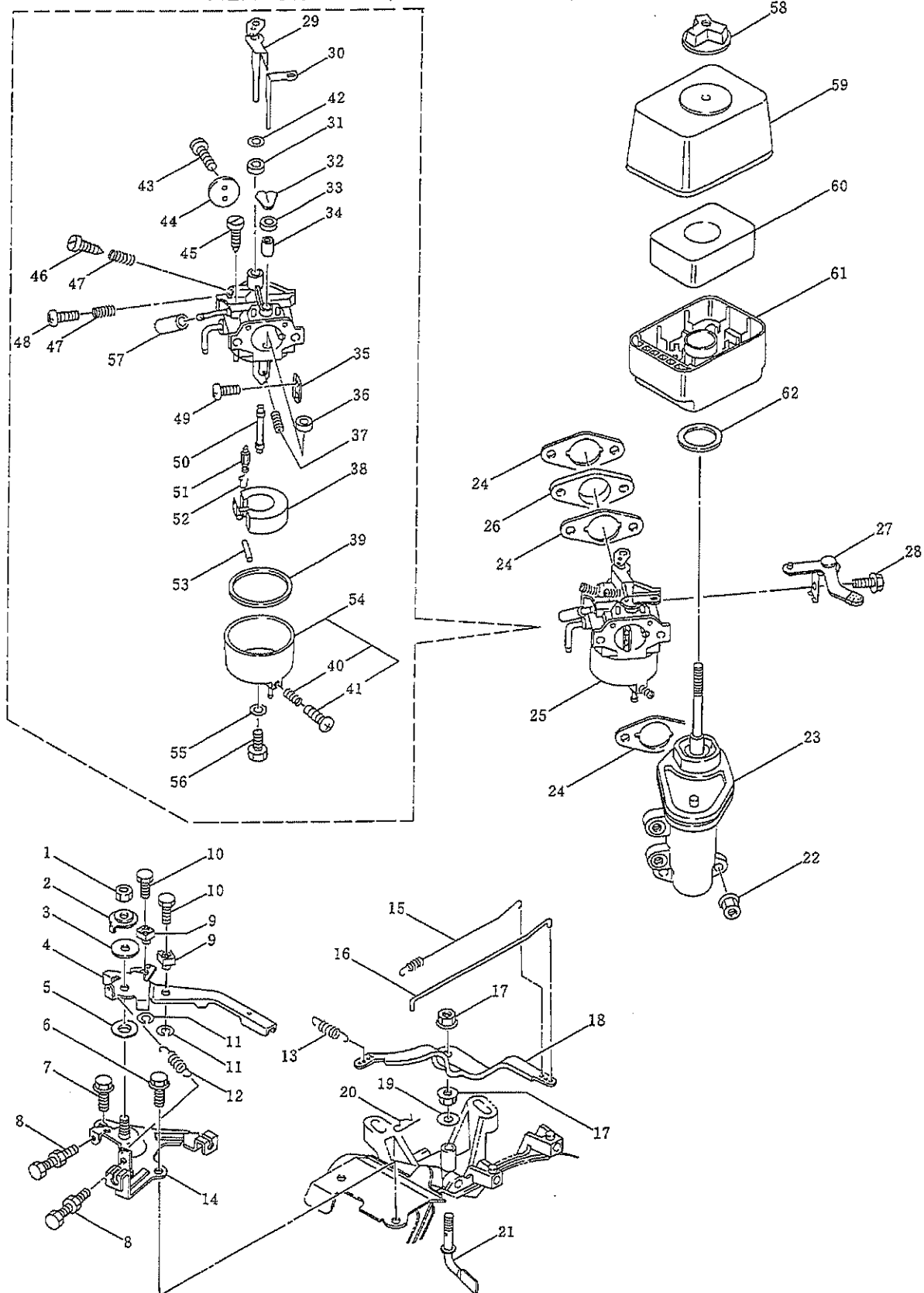
# Illustrated Parts Lookup

## Parts for MARUYAMA Model "MS410EC-2K", Image Section "015 - ENGINE/CRANKSHAFT, IGNITION, VALVE"

Item	Part Number	Part Description	Alt Part	Series	Qty
15-1	993963	KEY, WOODRUFF			
15-2	578379	CRANKSHAFT ASSY			
15-3	578380	GEAR			
15-4	578381	CRANKSHAFT GEAR			
15-5	993966	RETAINER, VALVE SPRING			
15-6	578098	VALVE SPRING			
15-7	578099	VALVE STEM SEAL			
15-8	578100	VALVE, EXHAUST			
15-9	578101	VALVE, INTAKE			
15-10	578382	PUSH ROD			
15-11	578103	TAPPET			
15-12	578383	CAMSHAFT ASSEMBLY			
15-13	578105	CLIP			
15-14	578384	PIN			
15-15	578385	PISTON RING SET			
	578386	PISTON RING SET			
	578387	PISTON RING SET			
15-16	994156	CLIP,PISTON PIN			
15-17	578388	PISTON			
	578389	PISTON SET			
	578390	PISTON SET			
15-18	578391	PISTOM PIN			
15-19	578392	CONNECTING ROD ASSY			
	578393	CONNECTING ROD ASSY			
	578394	CONNECTING ROD ASSY			
15-20	578117	FLANGE BOLT			
15-21	993994	NUT			
15-22	578395	FLYWHEEL MAGNETO			
15-23	578119	PLUG CAP			
15-24	578120	SPARK PLUG (NGK BP5ES)			
15-25	578121	USE PART #585223	585223		
15-26	578396	FLYWHEEL			
15-27	578123	FLANGE BOLT			
15-28	578124	LEAD WIRE			

16. MS410EC-2M エンジン ENGINE

エアークリーナ キャブレータ カハナ  
AIR CLEANER, CARBURETOR, GOVERNOR



# Illustrated Parts Lookup

## Parts for MARUYAMA Model "MS410EC-2K", Image Section "018 - ENGINE/AIR CLEANER,CARBURETOR,GOVE"

Item	Part Number	Part Description	Alt Part	Series	Qty
16-1	574210	NUT			
16-2	578125	LOCK WASHER			
16-3	578126	LEAF SPRING			
16-4	578127	CONTROL LEVER			
16-5	578128	WASHER			
16-6	571053	FLANGE BOLT			
16-7	993952	FLANGE BOLT			
16-8	578129	ADJUST SCREW			
16-9	578130	STOPPER			
16-10	571120	BOLT			
16-11	571121	SNAP RING			
16-12	578131	RETURN SPRING			
16-13	578397	GOVERNOR SPRING			
16-14	578133	CONTROL PANEL			
16-15	578398	ROD SPRING			
16-16	578399	GOVERNOR ROD			
16-17	578136	NUT			
16-18	578137	GOVERNOR LEVER			
16-19	947565	WASHER			
16-20	578138	CLIP			
16-21	578400	GOVERNOR SHAFT			
16-22	260196	FLANGE NUT			
16-23	578401	INTAKE ELBOW			
16-24	578141	CARBURETOR GASKET			
16-25	578402	CARBURETOR			
16-26	578143	INSULATOR			
16-27	578403	CHOKE LEVER			
16-28	998565	BOLT			
16-29	578404	THROTTLE SHAFT			
16-30	578146	CHOKE LEVER			
16-31	578147	SEAL			
16-32	578148	RING			
16-33	578149	SEAL			
16-34	578150	RING			
16-35	578151	CHOKE VALVE			
16-36	578152	RING			
16-37	578405	MAIN JET			
16-38	578154	FLOAT			
16-39	578155	PACKING			
16-40	571856	SPRING			
16-41	578157	SCREW			
16-42	578158	PACKING			
16-43	578159	SCREW			
16-44	578406	THROTTLE VALVE			
16-45	578407	PILOT JET			
16-46	578162	ADJUSTER			
16-47	999568	SPRING			
16-48	578163	SCREW			

# Illustrated Parts Lookup

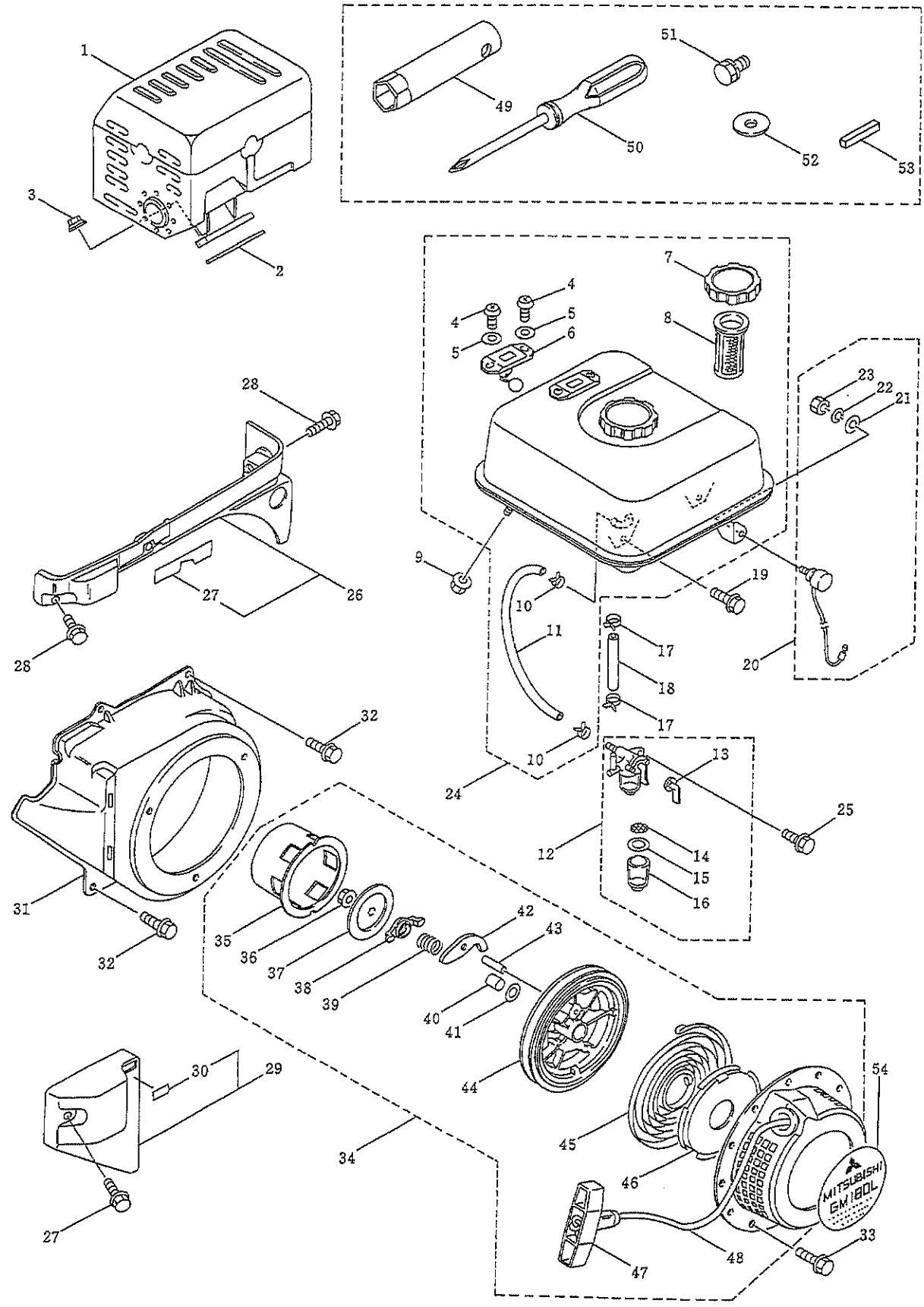
## Parts for MARUYAMA Model "MS410EC-2K", Image Section "018 - ENGINE/AIR CLEANER,CARBURETOR,GOVE"

Item	Part Number	Part Description	Alt Part	Series	Qty
16-49	578164	SCREW			
16-50	578165	MAIN NOZZLE			
16-51	578166	JET NEEDLE			
16-52	578167	CLIP			
16-53	578207	PIN			
16-54	578168	FLOAT CHAMBER			
16-55	578169	PACKING			
16-56	578170	BOLT			
16-57	578171	TUBE			
16-58	578172	NUT			
16-59	578408	CLEANER COVER			
16-60	578409	AIR FILTER ELEMENT			
16-61	578410	CLEANER CASE			
16-62	578176	GASKET, AIR CLEANER			



17.MS410EC-2M エンジン ENGINE

フューエル タンク リコイル スタータ スパイラル ケース マフラ  
 FUEL TANK, RECOIL STARTER, SPIRAL CASE, MUFFLER



# Illustrated Parts Lookup

## Parts for MARUYAMA Model "MS410EC-2K", Image Section "021 - ENG/FUEL TNK,RECOIL STRTER,SPIRAL"

Item	Part Number	Part Description	Alt Part	Series	Qty
17-1	578411	MUFFLER ASSEMBLY			
17-2	578178	MUFFLER GASKET			
17-3	994066	FLANGE NUT			
17-4	572848	SCREW			
17-5	572849	WASHER			
17-6	578412	FUEL GAUGE			
17-7	578180	TANK CAP ASSEMBLY			
17-8	578181	FUEL FILTER			
17-9	260196	FLANGE NUT			
17-10	578182	CLIP			
17-11	578413	FUEL HOSE			
17-12	578184	FUEL COCK			
17-13	578185	O-RING			
17-14	578186	FUEL FILTER			
17-15	578187	PACKING			
17-16	578188	CUP			
17-17	977437	CLIP			
17-18	578189	FUEL HOSE			
17-19	578075	FLANGE BOLT			
17-20	997484	STOP SWITCH			
17-21	990131	WASHER			
17-22	912633	SPRING WASHER			
17-23	993951	NUT			
17-24	578414	USE PART #590164	590164		
17-25	578191	FLANGE BOLT			
17-26	578415	FRONT COVER			
17-27	578194	LABEL			
17-28	578193	FLANGE BOLT			
17-29	578416	COVER			
17-30	997309	LABEL, NAME			
17-31	578417	FAN COVER			
17-32	578075	FLANGE BOLT			
17-33	994047	FLANGE BOLT			
17-34	578418	RECOIL STARTER ASSEMBLY			
17-35	578419	STARTER PULLEY			
17-36	994055	NUT			
17-37	994056	FRICTION PLATE			
17-38	578420	GUIDE			
17-39	994057	RETURN SPRING			
17-40	994058	SHAFT			
17-41	994059	WASHER			
17-42	571169	RACHET			
17-43	994053	PIN			
17-44	994060	REEL			
17-45	994061	SPIRAL SPRING			
17-46	994062	CASE			
17-47	578421	STARTER KNOB			
17-48	578422	STARTER ROPE			

# Illustrated Parts Lookup

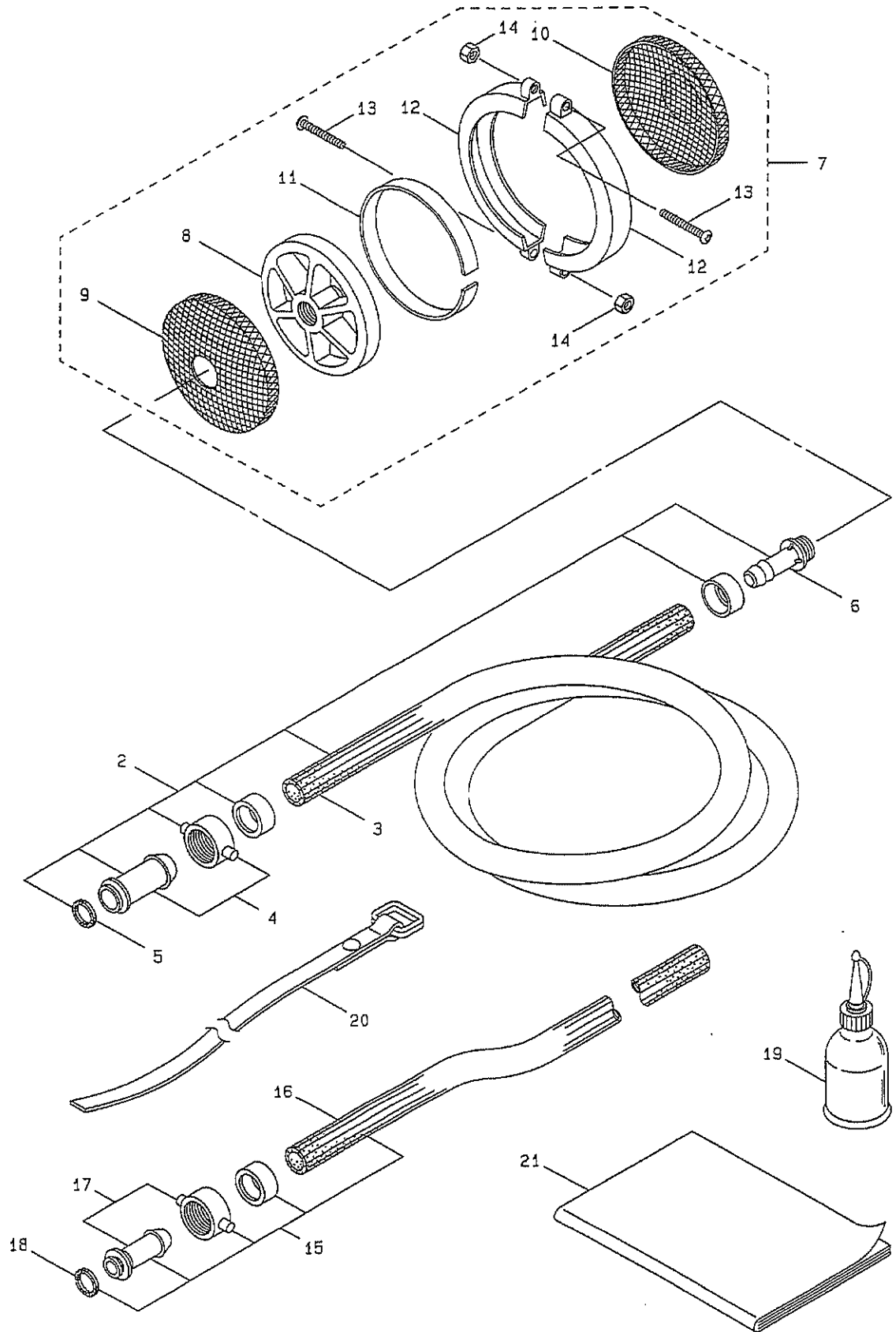
Parts for MARUYAMA Model "MS410EC-2K", Image Section "021 - ENG/FUEL TNK,RECOIL STRTER,SPIRAL"

Item	Part Number	Part Description	Alt Part	Series	Qty
17-49	578206	SOCKET WRENCH			
17-50	577241	SCREWDRIVER			
17-51	973717	USE PART #994007	994007		
17-52	976980	WASHER			
17-53	947588	KEY SUNK			
17-54	578423	NAME LABEL			

Illustrated Parts Lookup - MS410EC-2K, 024 - ACCESSORIES

22. MS310EC-2M, 2K • MS410EC-2M, 2K

付属品 ACCESSORIES



# Illustrated Parts Lookup

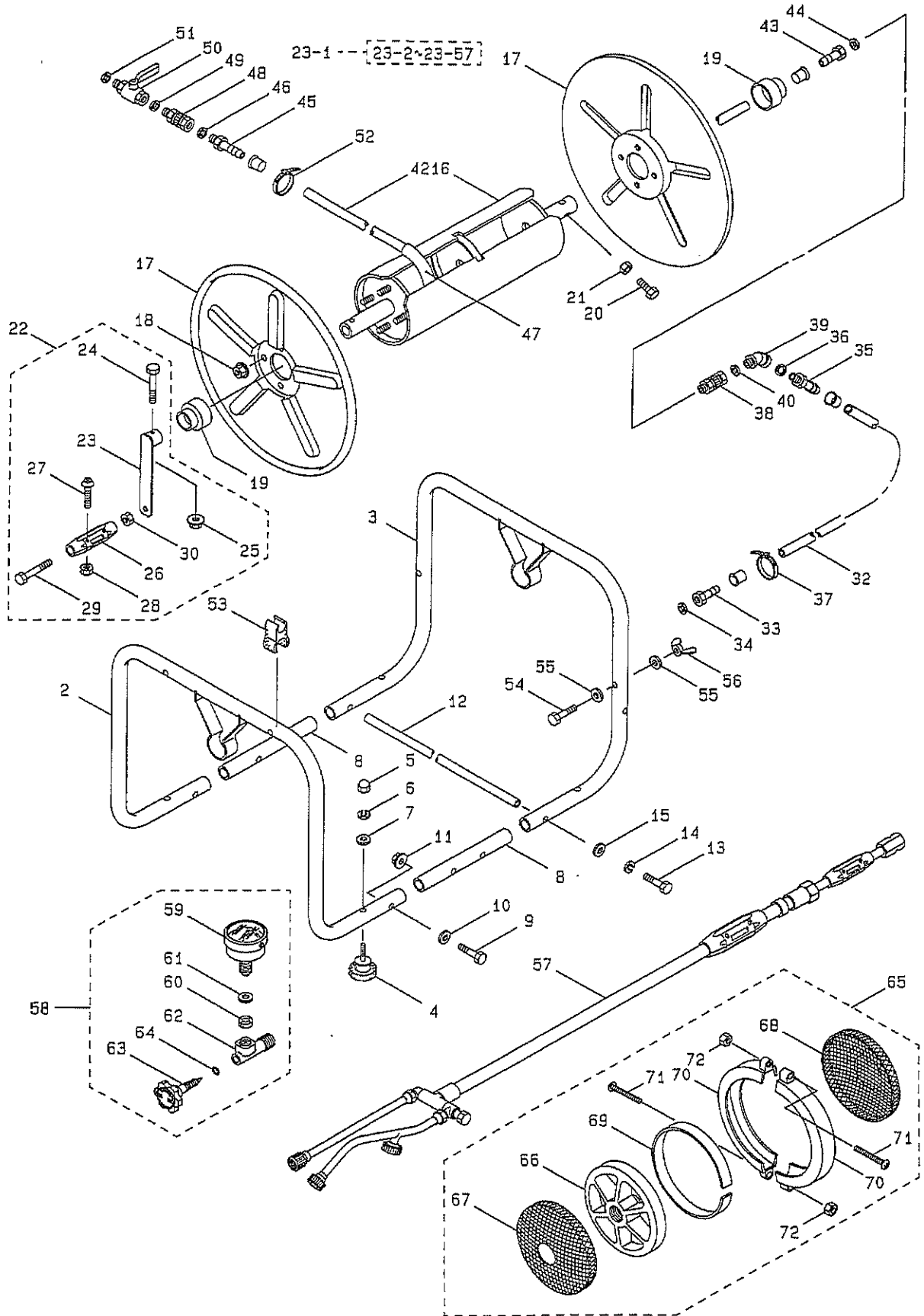
## Parts for MARUYAMA Model "MS410EC-2K", Image Section "024 - ACCESSORIES"

Item	Part Number	Part Description	Alt Part	Series	Qty
22-1	106633	SUCTION HOSE ASSY			
22-2	105936	HOSE ASSY			
22-3	103571	HOSE			
22-4	098010	USE PART #098213	098213		
22-5	103686	PACKING			
22-6	105937	HOSE COUPLING			
22-7	105930	SUCTION STRAINER ASSY			
22-8	105931	STRAINER BODY			
22-9	105933	STRAINER NET (UPPER)			
22-10	105934	STRAINER NET (LOWER)			
22-11	105935	WEIGHT			
22-12	105932	STRAINER RING			
22-13	089761	SCREW			
22-14	081166	NUT			
22-15	104344	DISCHARGE HOSE ASSY			
22-16	104345	USE PART #103573	103573		
22-17	098009	HOSE COUPLING			
22-18	103685	PACKING			
22-19	015773	OIL FEEDER			
22-20	107107	BAND			
22-21	111281	INSTRUCTION MANUAL			

# Illustrated Parts Lookup - MS410EC-2K, 026 - OPTIONAL ACCESSORIES

23. MS310EC-2M, 2K · MS410EC-2M, 2K

希望付属品 OPTIONAL ACCESSORIES



356181-3  
356101-3  
356180-3  
356102-3

# Illustrated Parts Lookup

## Parts for MARUYAMA Model "MS410EC-2K", Image Section "026 - OPTIONAL ACCESSORIES"

Item	Part Number	Part Description	Alt Part	Series	Qty
23-1	108658	HOSE REEL ASSEMBLY			
23-2	108659	FRAME A			
23-3	108660	FRAME B			
23-4	106378	BUMPER RUBBER			
23-5	018972	CAP NUT			
23-6	015845	SPRING WASHER			
23-7	014065	WASHER M8			
23-8	101932	PIPE JOINT *NLA			
23-9	080138	BOLT			
23-10	014065	WASHER M8			
23-11	101804	HEX FLANGE NUT			
23-12	054154	PIPE NUT			
23-13	080138	BOLT			
23-14	015845	SPRING WASHER			
23-15	014065	WASHER M8			
23-16	104313	DRUM			
23-17	103406	HOSE REEL SIDE			
23-18	101804	HEX FLANGE NUT			
23-19	054126	SPACER			
23-20	080124	BOLT			
23-21	081039	USE PART #081040	081040		
23-22	105403	HANDLE ASSY			
23-23	101946	HANDLE ARM			
23-24	080145	BOLT M8X45X26			
23-25	101804	HEX FLANGE NUT			
23-26	101923	GRIP			
23-27	081376	SCREW			
23-28	081025	NUT M4			
23-29	089450	BOLT			
23-30	081048	USE PART #012466	012466		
23-31	104189	DISCHARGE HOSE ASSY			
23-32	104190	HOSE			
23-33	814511	HOSE COUPLING			
23-34	023329	PACKING			
23-35	141481	HOSE COUPLING			
23-36	023320	PACKING			
23-37	103580	BAND			
23-38	059034	USE PART #570768	570768		
23-39	059188	USE PART #021189	021189		
23-40	023320	PACKING			
23-41	105482	SPRAY HOSE			
23-42	103703	DISCHARGE HOSE			
23-43	098341	HOSE COUPLING PF1/4			
23-44	023329	PACKING			
23-45	141481	HOSE COUPLING			
23-46	023320	PACKING			
23-47	107528	VINYL HOSE			
23-48	059034	USE PART #570768	570768		

# Illustrated Parts Lookup

## Parts for MARUYAMA Model "MS410EC-2K", Image Section "026 - OPTIONAL ACCESSORIES"

Item	Part Number	Part Description	Alt Part	Series	Qty
23-49	023320	PACKING			
23-50	105891	USE PART #977763	977763		
23-51	023320	PACKING			
23-52	103580	BAND			
23-53	102499	NOZZLE SUPPORTER			
23-54	080179	BOLT			
23-55	014065	WASHER M8			
23-56	054076	WING NUT			
23-57	103699	SUPER CHANGE WAND			
23-58	109028	PRESSURE GAUGE ASSEMBLY			
23-59	105541	PRESSURE GAUGE			
23-60	011241	PACKING			
23-61	015453	WASHER			
23-62	108572	PRESSURE GAUGE PROTECTOR			
23-63	027441	NEEDLE VALVE			
23-64	011341	O-RING			
23-65	109439	SUCTION STRAINER ASSEMBLY			
23-66	105931	STRAINER BODY			
23-67	109440	WIRE NET (A)			
23-68	109441	WIRE NET (B)			
23-69	105935	WEIGHT			
23-70	105932	STRAINER RING			
23-71	089761	SCREW			
23-72	081166	NUT			