

Is Your Product Registered?

Contact your Dealer to verify.

Warranties are based on Registrations and reduced to 1 year without
Registration.

PARTS LIST

MS40QCB

CONTENTS

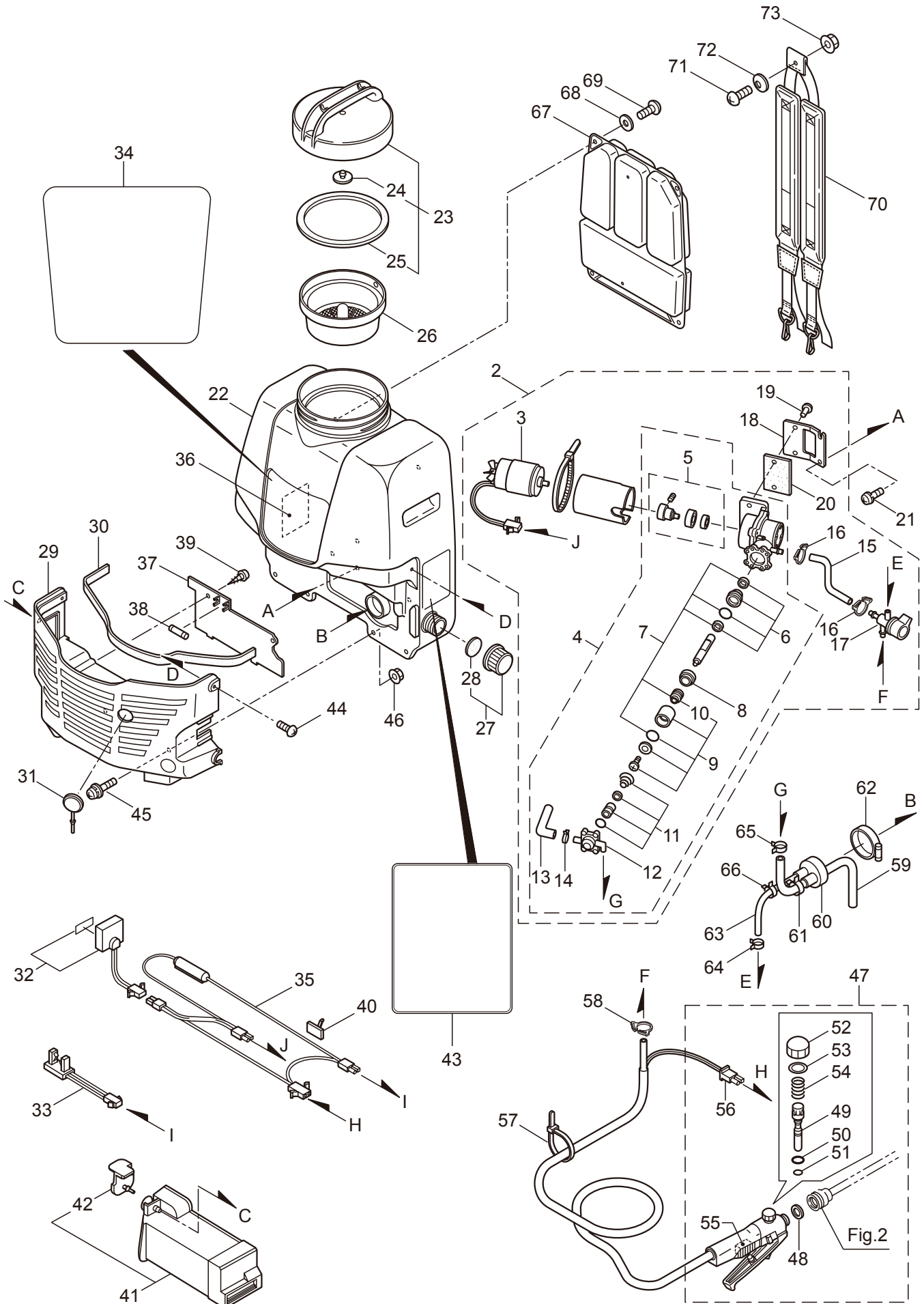
1. MAIN BODY	1 ~ 4
2. ACCESSORIES	5 ~ 6

2009. 06.



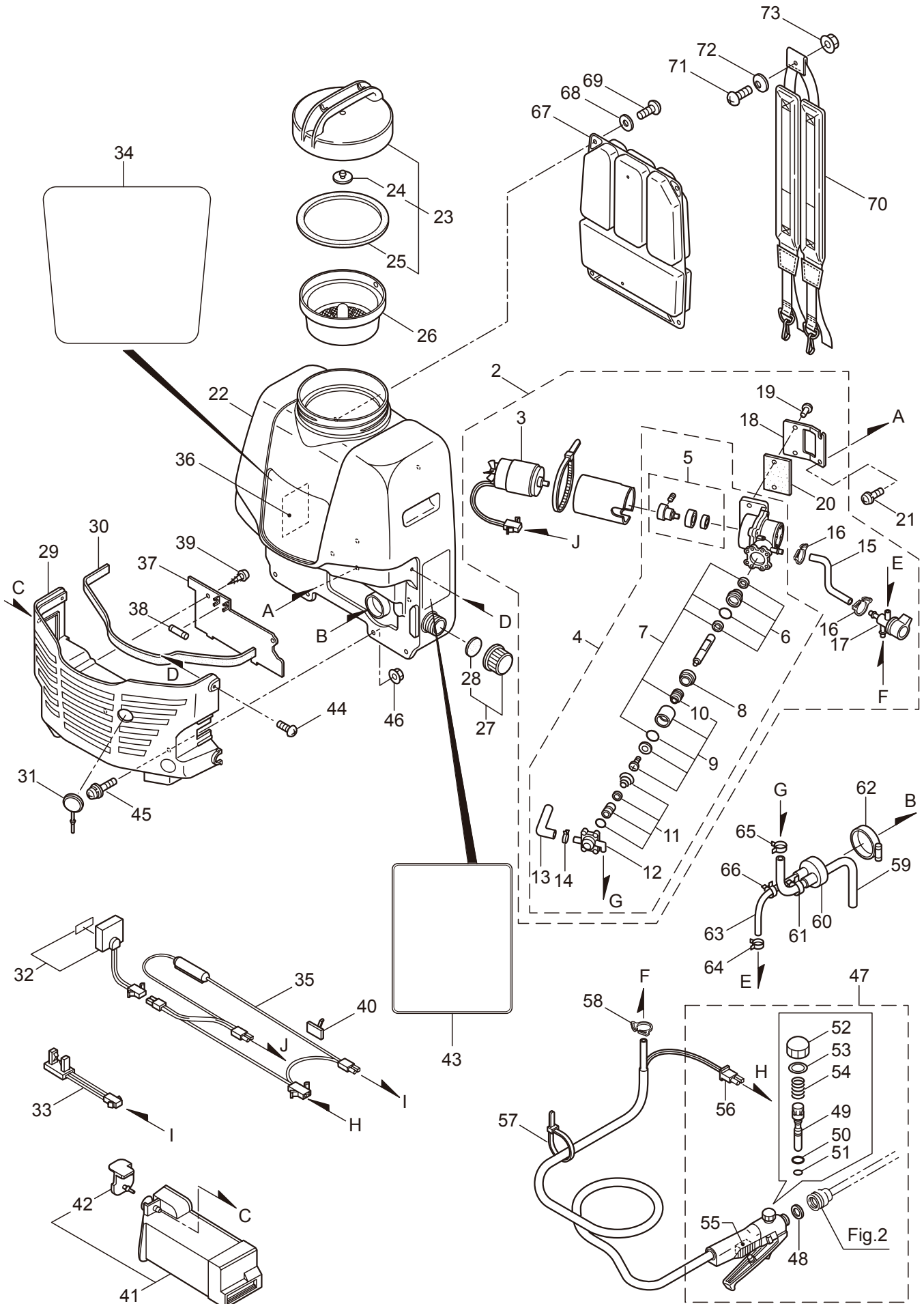
P/N 522815

1. MS40QCB
MAIN BODY



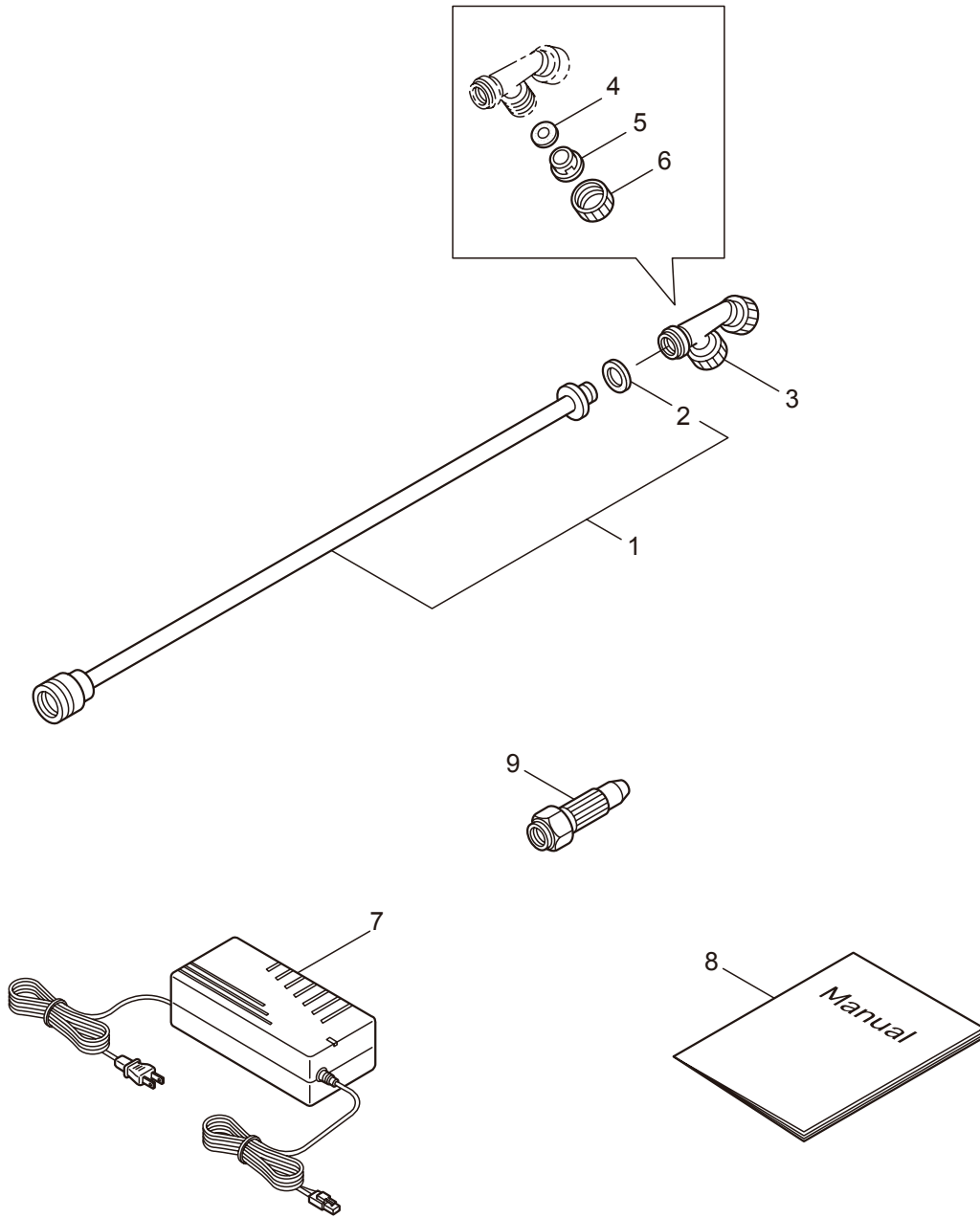
Ref. No.	Part No.	Part Name	Q'ty	Remarks
1-2	127125	Pump Ass'y	1	Incl.3-20
1-3	411201	Motor	1	
1-4	403168	Pump	1	Incl.5-14
1-5	641928	Cam Set	1	
1-6	409681	Seal Set	1	
1-7	599682	Packing Set	1	
1-8	123256	Seal Retainer	1	
1-9	641931	Suction Valve Ass'y	1	Incl.10
1-10	121434	Piston Packing	1	
1-11	599680	Discharge Valve Ass'y	1	
1-12	116287	Manifold	1	
1-13	125901	Cap	1	
1-14	043832	Hose Band	1	
1-15	125873	Hose	1	
1-16	125370	Hose Clamp	2	
1-17	123290	Pressure Regulator Valve Ass'y	1	
1-18	125889	Plate	1	
1-19	123461	Fastener	2	
1-20	116304	Buffer	1	
1-21	126760	Screw	2	M6x10
1-22	126240	Chemical Tank	1	
1-23	125876	Cap, Chemical Tank	1	Incl.24,25
1-24	126668	Valve	1	
1-25	123216	Packing	1	
1-26	123217	Strainer	1	
1-27	123417	Cap Ass'y	1	Incl.28
1-28	123418	Packing	1	27xt2
1-29	125882	Bracket	1	
1-30	125884	Packing	1	
1-31	126247	Cap	1	
1-32	124384	Battery Checker Ass'y	1	
1-33	126179	Wire Harness	1	
1-34	129192	Label	1	MS40QCB
1-35	126010	Wire Harness	1	
1-36	129193	Label	1	
1-37	125887	Cover	1	
1-38	115385	Fuse	1	
1-39	127388	Screw	2	M5x12
1-40	146127	Clamp	1	
1-41	129191	Battery Ass'y	1	Incl.42
1-42	126750	Cap	1	
1-43	127870	Label	1	
1-44	127389	Screw	2	M6x10
1-45	127390	Screw	2	M6x25

1. MS40QCB
MAIN BODY



Ref. No.	Part No.	Part Name	Q'ty	Remarks
1-46	126756	Nut	2	M6
1-47	642038	Grip Ass'y	1	Incl.48-56
1-48	115865	Packing	1	12x17.5xt3
1-49	117547	Valve	1	
1-50	124612	O-Ring	1	
1-51	014194	O-Ring	1	S4
1-52	117070	Cap	1	
1-53	116670	Packing	1	
1-54	117074	Spring	1	
1-55	117549	Switch	1	
1-56	116013	Connector(Male)	1	
1-57	107046	Band	1	CV-125
1-58	125370	Hose Clamp	1	
1-59	125902	Hose	1	
1-60	125903	Hose Boots	1	
1-61	103033	Band	1	150-05-00
1-62	124813	Band	1	
1-63	124385	Hose	1	
1-64	112530	Hose Band	1	
1-65	043832	Hose Band	1	
1-66	127241	Band	1	
1-67	123227	Pad	1	
1-68	106352	Packing	4	5.5x16xt1.5
1-69	126758	Screw	4	M6x8
1-70	126308	Knapsack Band	1	
1-71	127221	Screw	1	M6x16
1-72	127224	Washer	1	6x23xt1.6
1-73	127237	Nut	1	M6

2. MS40QCB
ACCESSORIES



Ref. No.	Part No.	Part Name	Q'ty	Remarks
2-1	127253	Nozzle Pipe Ass'y	1	Incl.2
2-2	112850	Packing	1	11.5x15.5x1.5
2-3	117958	Wide Nozzle Ass'y	1	Incl.4-6 NH-V-2M-2-D5
2-4	103171	Packing	2	H-704
2-5	118266	Nozzle Plate	2	NN-D-5
2-6	103173	Cap	2	
2-7	129195	Battery Charger	1	
2-8	129196	Instruction Manual	1	MS40QCB
2-9	127460	Nozzle Ass'y	1	



Maruyama U.S., Inc.
3570 Shelby Lane
Denton, TX 76207
940-383-7400 voice
940-383-7466 fax

www.maruyama-us.com