

PARTS LIST

MS330EMH-NF (MUS)

CONTENTS

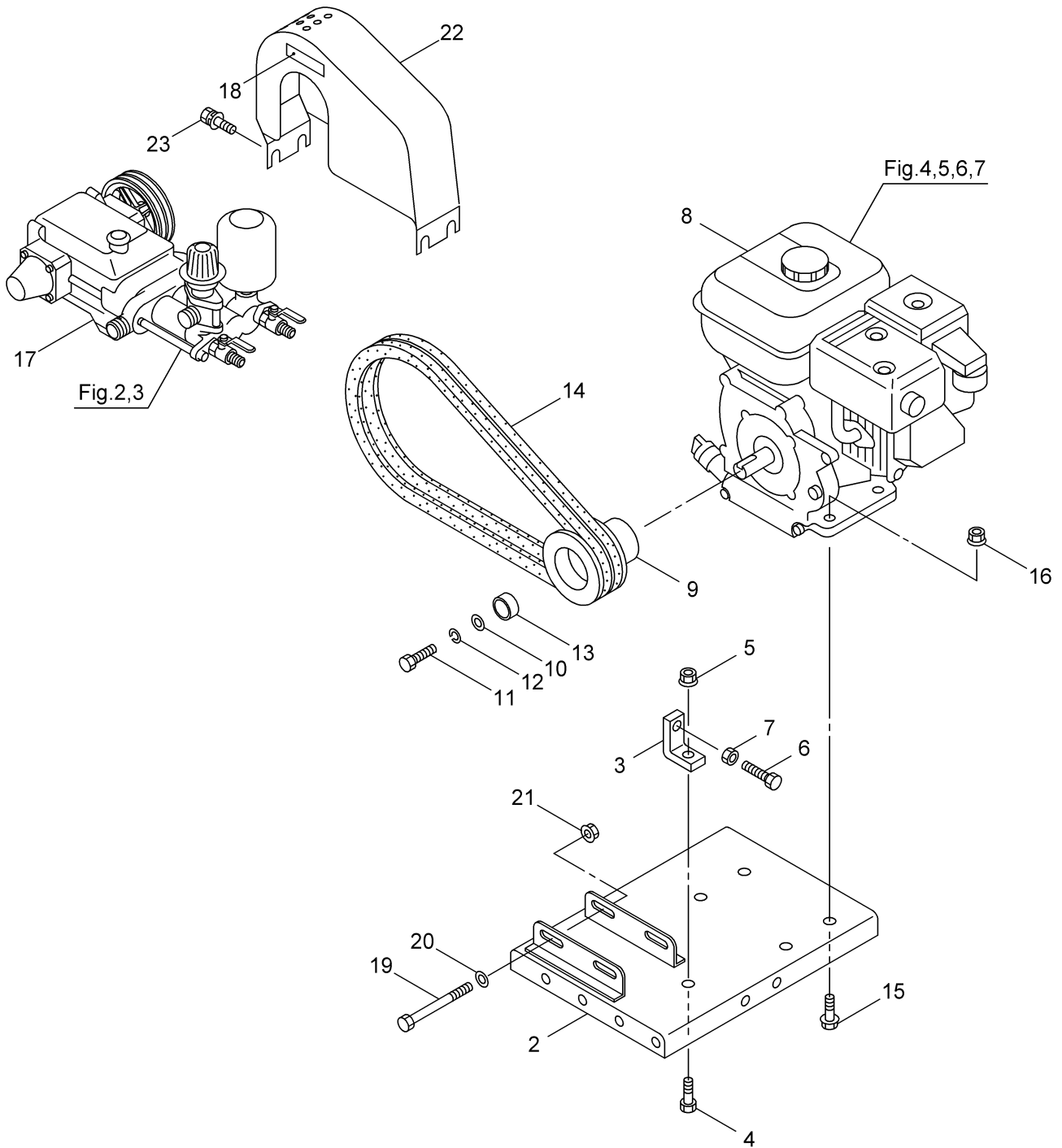
1. MAIN BODY	1 ~ 2
2. POWER SPRAYER(CRANKCASE, SUCTION VALVE)	3 ~ 4
3. POWER SPRAYER(PRESSURE REGULATOR VALVE).....	5 ~ 6
4. CYLINDER BARREL, CYLINDER HEAD.....	7 ~ 10
5. CRANKSHAFT, IGNITION COIL, VALVE	11 ~ 12
6. AIR CLEANER, CARBURETOR, GOVERNOR.....	13 ~ 16
7. FUEL TANK, RECOIL STARTER, MUFFLER	17 ~ 18

2008.10



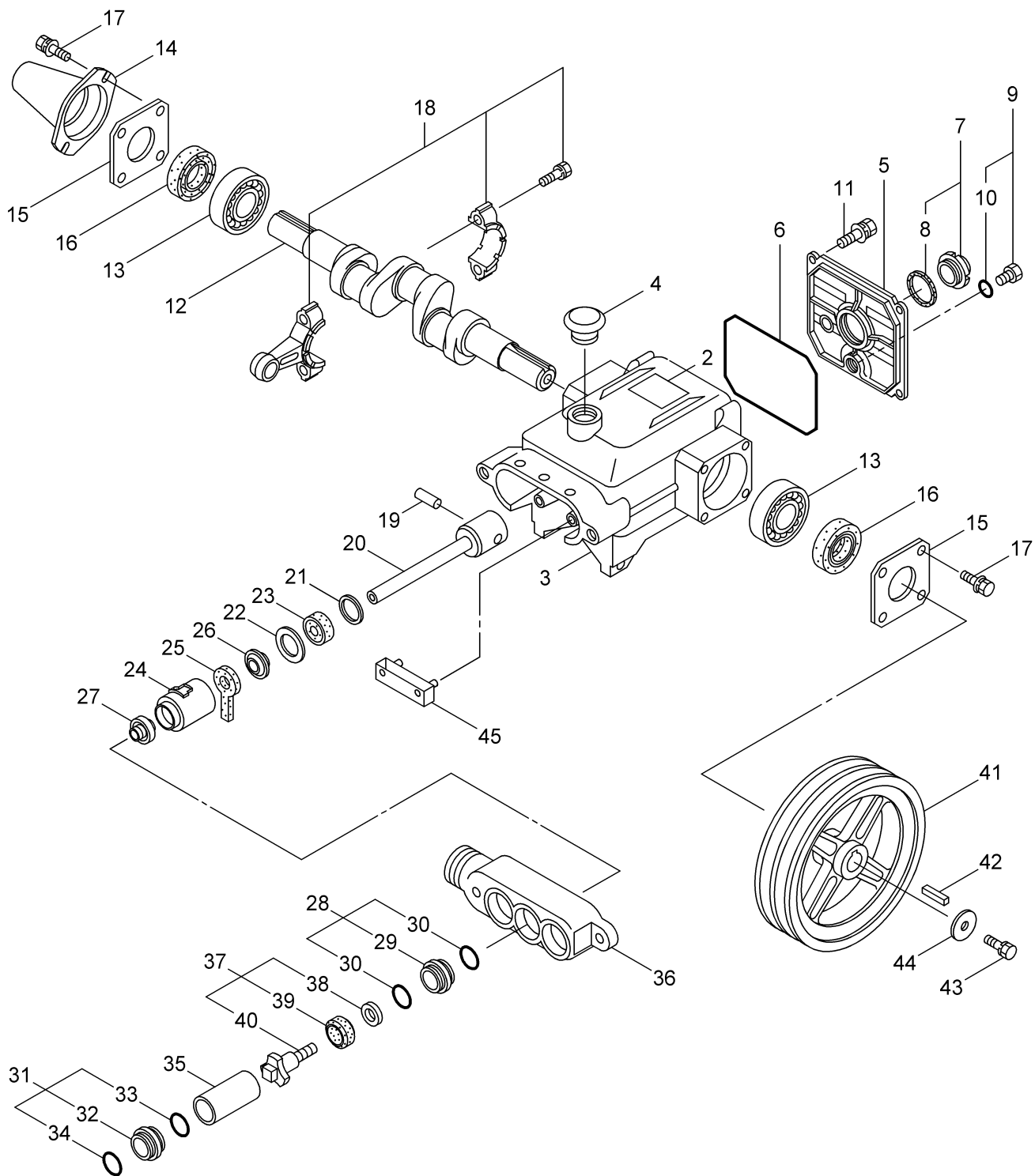
P/N. 522651

1. MS330EMH-NF(MUS) MAIN BODY



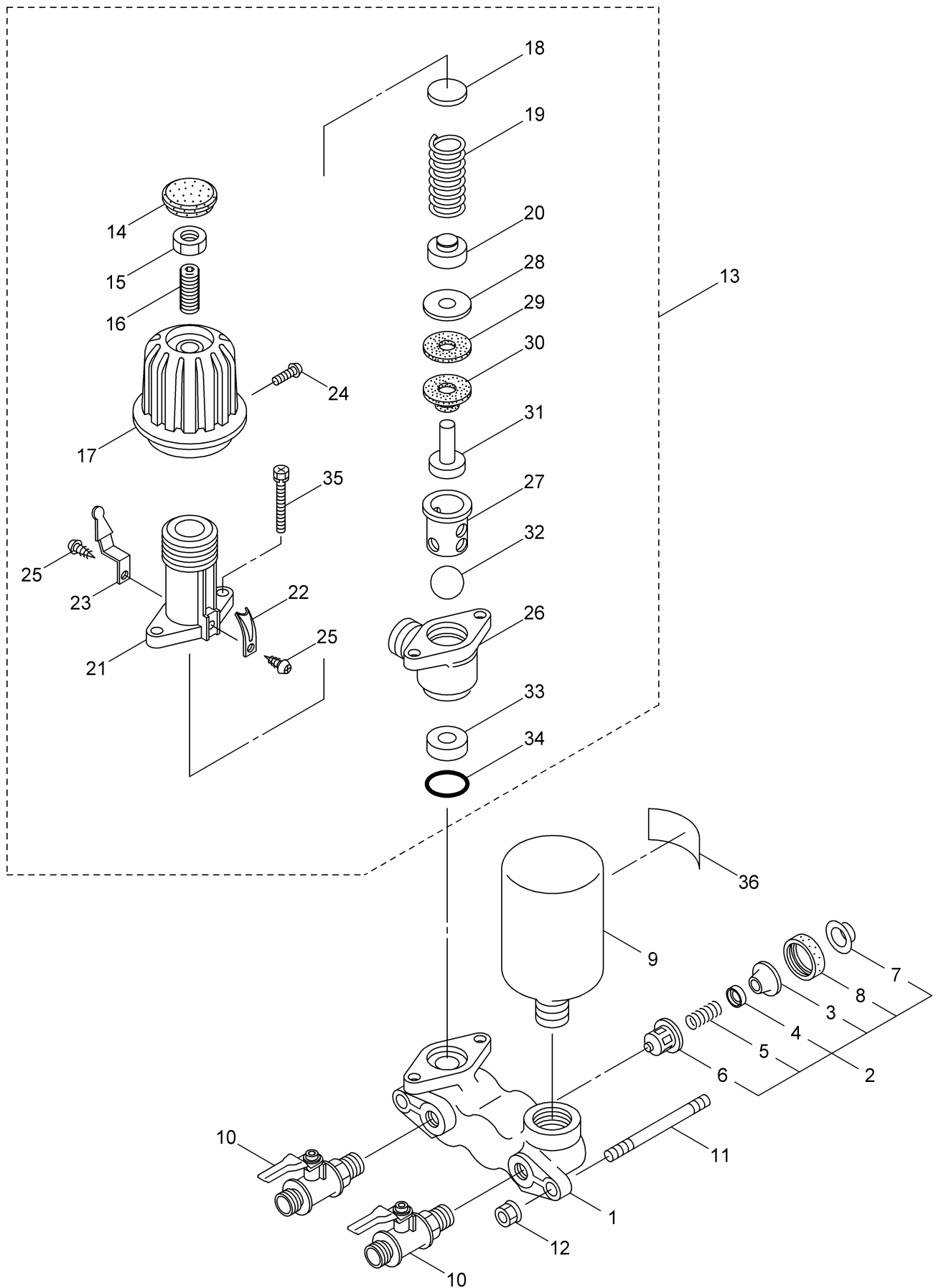
Ref.No.	Parts No.	Parts Name	Q'ty	Remarks
1-1	358114	MS330EMH-NF	1	MUS
1-2	543615	Base	1	
1-3	108650	Belt Tension Plate	1	
1-4	080126	Bolt	1	M8X20
1-5	101804	Nut	1	M8
1-6	549754	Bolt	1	M8X60
1-7	126521	Nut	1	M8
1-8	543273	Engine	1	GX120KI-LX2
1-9	114514	V-pulley	1	72-AX2
1-10	090116	Washer	1	8.5X34X3.2
1-11	080129	Bolt	1	M8X25
1-12	126232	Spring Washer	1	M8
1-13	549758	Collar	1	25X34X10
1-14	028862	V-Belt	2	A24
1-15	092526	Bolt	4	M8X35(M)
1-16	101804	Nut	4	M8
1-17	818418	Power Sprayer	1	MS330EMH
1-18	123043	Label	1	
1-19	126200	Bolt	2	M8X115X30
1-20	014065	Washer	2	M8
1-21	101804	Nut	2	M8
1-22	543564	Belt Cover	1	
1-23	092519	Bolt	4	M6X16(SMK)

2. MS330EMH-NF(MUS) POWER SPRAYER(CRANKCASE, SUCTION VALVE)



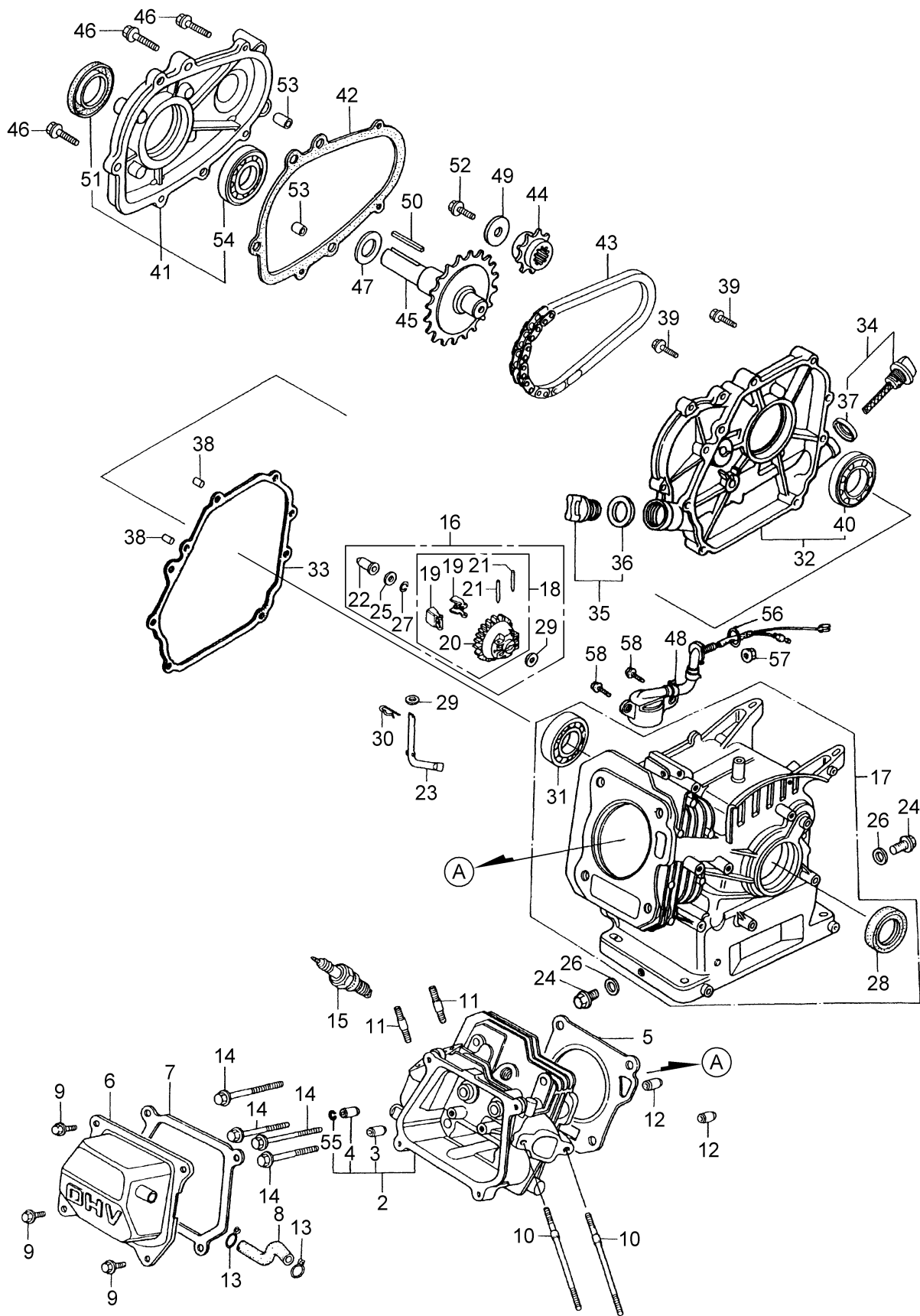
Ref.No.	Parts No.	Parts Name	Q'ty	Remarks
2-1	818418	Power Sprayer	1	MS330EMH
2-2	119691	Label	1	MS330
2-3	118176	Crankcase	1	
2-4	117420	Cap	1	
2-5	118646	Rear Cover,Crankcase	1	P/N118643
2-6	014041	O-Ring	1	S100
2-7	092241	Oil Gauge Ass'y	1	Incl.8
2-8	044428	Packing	1	25X34XT2
2-9	091376	Plug Ass'y	1	Incl.10 G1/4
2-10	023170	O-Ring	1	P12.5
2-11	125824	Bolt	4	M6X16(SMK)
2-12	103921	Crankshaft	1	105021,20.5
2-13	014487	Bearing	2	#6304
2-14	025130	Shaft Protector	1	
2-15	117424	Plate	2	T1.2
2-16	117423	Oil Seal	2	KCM-TC20528
2-17	125824	Bolt	4	M6X16(SMK)
2-18	048734	Connecting Rod Ass'y	3	
2-19	016948	Piston Pin	3	9X22
2-20	118183	Piston Rod	3	
2-21	126259	Washer	3	17X24XT1.2
2-22	126189	Washer	3	20X28XT1.2
2-23	025461	Oil Seal	3	S10.5247
2-24	027710	Seal Retainer	3	
2-25	027711	Felt Packing	3	10X24X5
2-26	026853	Packing	3	
2-27	100015	Seal	3	
2-28	091109	Adapter Ass'y	3	Incl.29,30
2-29	016957	Adapter	3	
2-30	015862	O-Ring	6	P21
2-31	091108	Adapter Ass'y	3	Incl.32-34
2-32	022931	Adapter	3	
2-33	015862	O-Ring	3	P21
2-34	023172	O-Ring	3	P22
2-35	108065	Cylinder Pipe	3	25X28.5X55
2-36	027713	Inlet Manifold	1	MS253
2-37	620661	Inlet Valve Ass'y	3	Incl.38-40
2-38	124277	Inlet Valve	3	6.1X20XT2.8
2-39	116121	Piston Packing Set	3	
2-40	118628	Piston Retainer	3	
2-41	100837	V-pulley	1	152-AX2
2-42	014543	Key	1	5X5X25
2-43	126258	Bolt	1	M8X20
2-44	126198	Washer	1	8.5X30XT3.2
2-45	027712	Oil Pan	1	

3. MS330EMH-NF(MUS) POWER SPRAYER(PRESSURE REGULATOR VALVE)



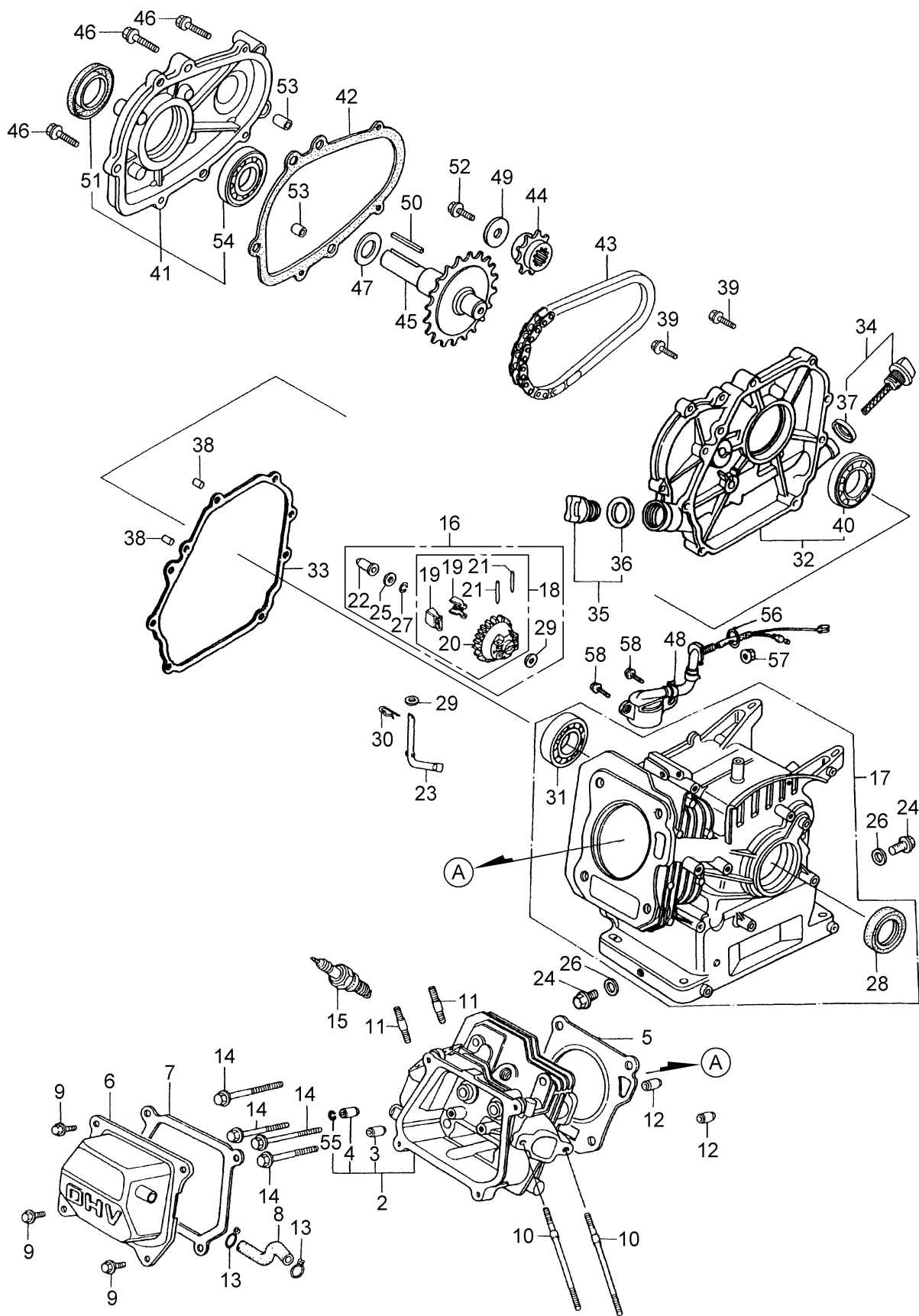
Ref.No.	Parts No.	Parts Name	Q'ty	Remarks
3-1	118409	Discharge Manifold	1	
3-2	105510	Discharge Valve Ass'y	3	Incl.3-8
3-3	105511	Discharge Valve Seat	3	
3-4	022842	Discharge Valve	3	MS253
3-5	022031	Spring	3	0.85-14.5L
3-6	105512	Retainer	3	
3-7	105513	Packing Ring	3	
3-8	105514	Valve Case	3	
3-9	117813	Air Chamber	1	320CC
3-10	117609	Cock Ass'y	2	G1/4XR1/4
3-11	127331	Stud	2	M8X150X11X18
3-12	126201	Nut	2	M8
3-13	123042	Pressure Regulator Valve Ass'y	1	Incl.14-35
3-14	105518	Cap	1	
3-15	084015	Nut	1	M10
3-16	088975	Screw	1	M10X48
3-17	118662	Grip	1	
3-18	126196	Retainer	1	17X2.3
3-19	105520	Spring	1	3.2-35L
3-20	105521	Retainer	1	
3-21	117448	Case	1	
3-22	117440	Plate	1	
3-23	105524	Indicator	1	
3-24	089899	Screw	2	M4X13
3-25	082744	Tapping Screw	2	M4X6
3-26	118237	Body	1	
3-27	012256	Retainer	1	
3-28	012255	Washer	1	6.2X22X0.6
3-29	101922	Bellows Packing	1	5X22XT105
3-30	060555	Bellows	1	
3-31	016975	Valve Rod	1	
3-32	107238	Valve Ball	1	12.7 (1/2)
3-33	117443	Valve Seat	1	
3-34	014179	O-Ring	1	P20
3-35	126197	Bolt	2	M6X55
3-36	123041	Label	1	

4. MS330EMH-NF(MUS) ENGINE CYLINDER BARREL, CYLINDER HEAD



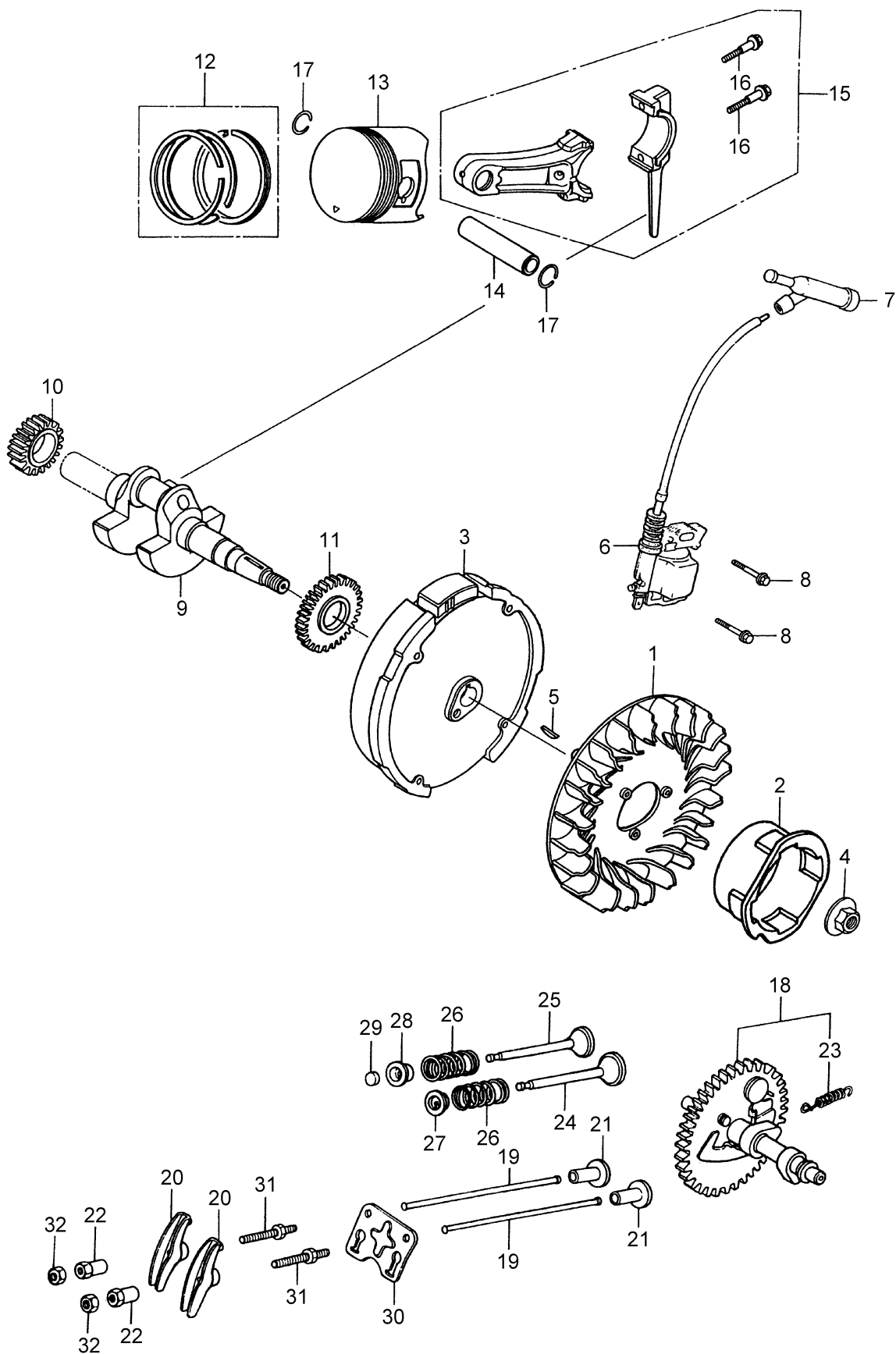
Ref.No.	Parts No.	Parts Name	Q'ty	Remarks
4-1	543273	Engine	1	GX120K1
4-2	620733	Cylinder Head Ass'y	1	Incl.3,4,55
4-3	620734	Inlet Valve Guide	1	
4-4	583642	Exhaust Valve Guide	1	
4-5	620735	Cylinder Head Gasket	1	
4-6	625222	Head Cover Ass'y	1	
4-7	583645	Head Cover Packing	1	
4-8	625223	Breather Tube	1	
4-9	990467	Flange Bolt	4	6X12
4-10	625224	Stud Bolt	2	
4-11	583649	Stud Bolt	2	
4-12	583650	Dowel Pin	2	
4-13	583651	Tube Clip	2	
4-14	620737	Flange Bolt	4	
4-15	625225	Spark Plug	1	BPR6ES NGK
4-16	583654	Governor Kit	1	Incl.18,22,25,27,29
4-17	625226	Cylinder Barrel Ass'y	1	Incl.28,31
4-18	583656	Governor Ass'y	1	Incl.19-21
4-19	583657	Governor Weight	2	
4-20	583658	Governor Weight Holder	1	
4-21	998195	Governor Weight Pin	2	
4-22	583659	Governor Slider	1	
4-23	583660	Governor Arm Shaft	1	
4-24	998200	Drain Plug Bolt	2	
4-25	620739	Thrust Washer	1	
4-26	998199	Drain Plug Washer	2	
4-27	583662	Governor Holder Clip	1	
4-28	620740	Oil Seal	1	
4-29	990493	Plain Washer	2	
4-30	990496	Lock Pin	1	
4-31	620741	Radial Ball Bearing	1	
4-32	620742	Crankcase Cover Ass'y	1	Incl.40
4-33	620743	Case Cover Packing	1	
4-34	620744	Oil Filler Cap Ass'y	1	Incl.37
4-35	620745	Oil Filler Cap Ass'y	1	Incl.36
4-36	620747	Oil Filler Cap Packing	1	
4-37	620747	Oil Filler Cap Packing	1	
4-38	990497	Dowel Pin	2	8X14
4-39	998198	Flange Bolt	7	
4-40	620741	Radial Ball Bearing	1	
4-41	583672	Chain Case Cover Ass'y	1	Incl.51,54
4-42	620748	Chain Case Cover Packing	1	
4-43	620749	Chain	1	
4-44	620760	Drive Sprocket	1	
4-45	620761	P.T.O. Shaft	1	

4. MS330EMH-NF(MUS) ENGINE CYLINDER BARREL, CYLINDER HEAD



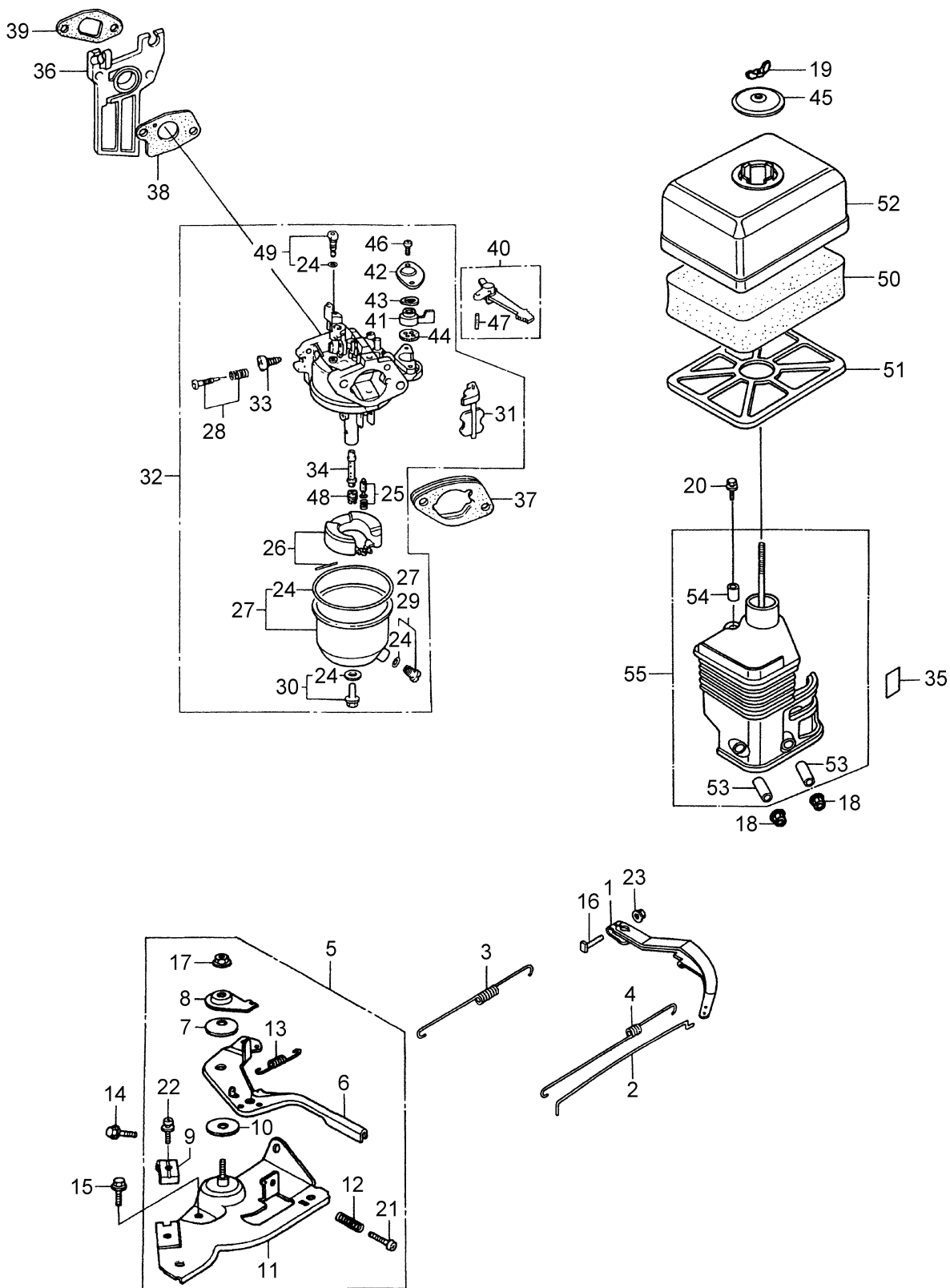
Ref.No.	Parts No.	Parts Name	Q'ty	Remarks
4-46	998198	Flange Bolt	5	
4-47	583677	Thrust Spring	1	
4-48	625227	Switch Ass'y	1	
4-49	583679	Washer	1	
4-50	620762	Key	1	5x5x33
4-51	583663	Oil Seal	1	
4-52	620763	Bolt	1	
4-53	990497	Dowel Pin	2	8X14
4-54	583664	Radial Ball Bearing	1	
4-55	620736	Clip	1	
4-56	625228	O-Ring	1	
4-57	625229	Flange Nut	1	
4-58	625230	Flange Bolt	2	

5. MS330EMH-NF(MUS) ENGINE CRANKSHAFT, IGNITION COIL, VALVE



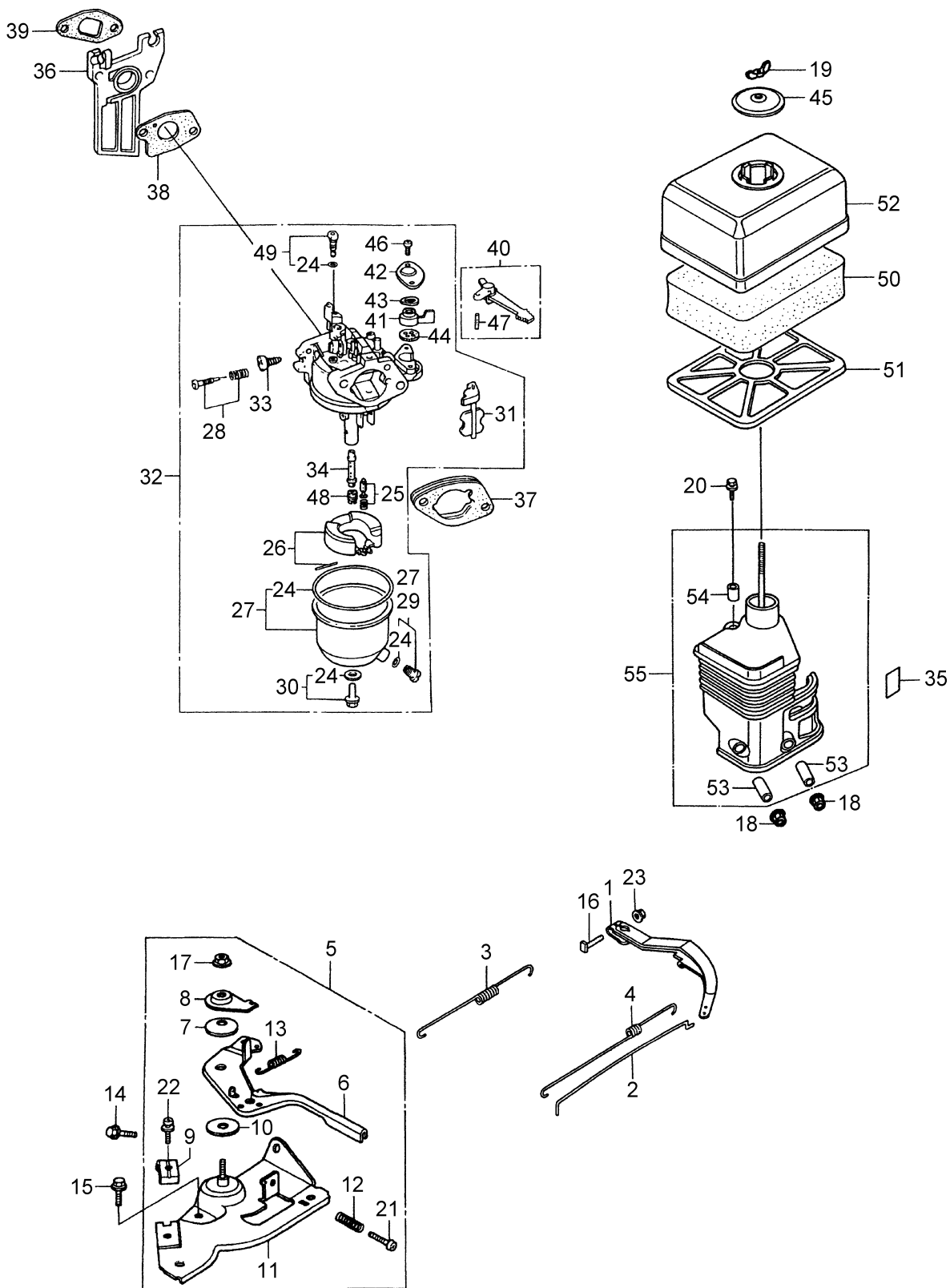
Ref.No.	Parts No.	Parts Name	Q'ty	Remarks
5-1	620764	Cooling Fan	1	
5-2	620765	Starter Pulley	1	
5-3	625231	Flywheel Ass'y	1	
5-4	583685	Special Nut	1	
5-5	583686	Special Woodruff Key	1	
5-6	625232	Ignition Coil Ass'y	1	
5-7	625233	Cap Ass'y	1	
5-8	998214	Flange Bolt	2	6X25
5-9	620769	Crankshaft Ass'y	1	
5-10	620770	Timing Gear	1	
5-11	620771	Governor Drive Gear	1	
5-12	620772	Piston Ring Set	1	
5-13	620773	Piston	1	
5-14	620774	Piston Pin	1	
5-15	620775	Connecting Rod Ass'y	1	Incl.16
5-16	583696	Connecting Rod Bolt	2	
5-17	620776	Piston Pin Clip	2	
5-18	620777	Camshaft Ass'y	1	Incl.23
5-19	620818	Push Rod	2	
5-20	583700	Valve Rocker Arm	2	
5-21	625234	Valve Lifter	2	
5-22	583702	Rocker Arm Pivot	2	
5-23	583703	Weight Return Spring	1	
5-24	620819	Inlet Valve	1	
5-25	620820	Exhaust Valve	1	
5-26	620821	Valve Spring	2	
5-27	583707	Retainer	1	
5-28	583708	Retainer	1	
5-29	583709	Valve Rotator	1	
5-30	620822	Push Rod Guide Plate	1	
5-31	583711	Pivot Bolt	2	
5-32	583712	Pivot Adjusting Nut	2	

6. MS330EMH-NF(MUS) ENGINE AIR CLEANER, CARBURETOR, GOVERNOR



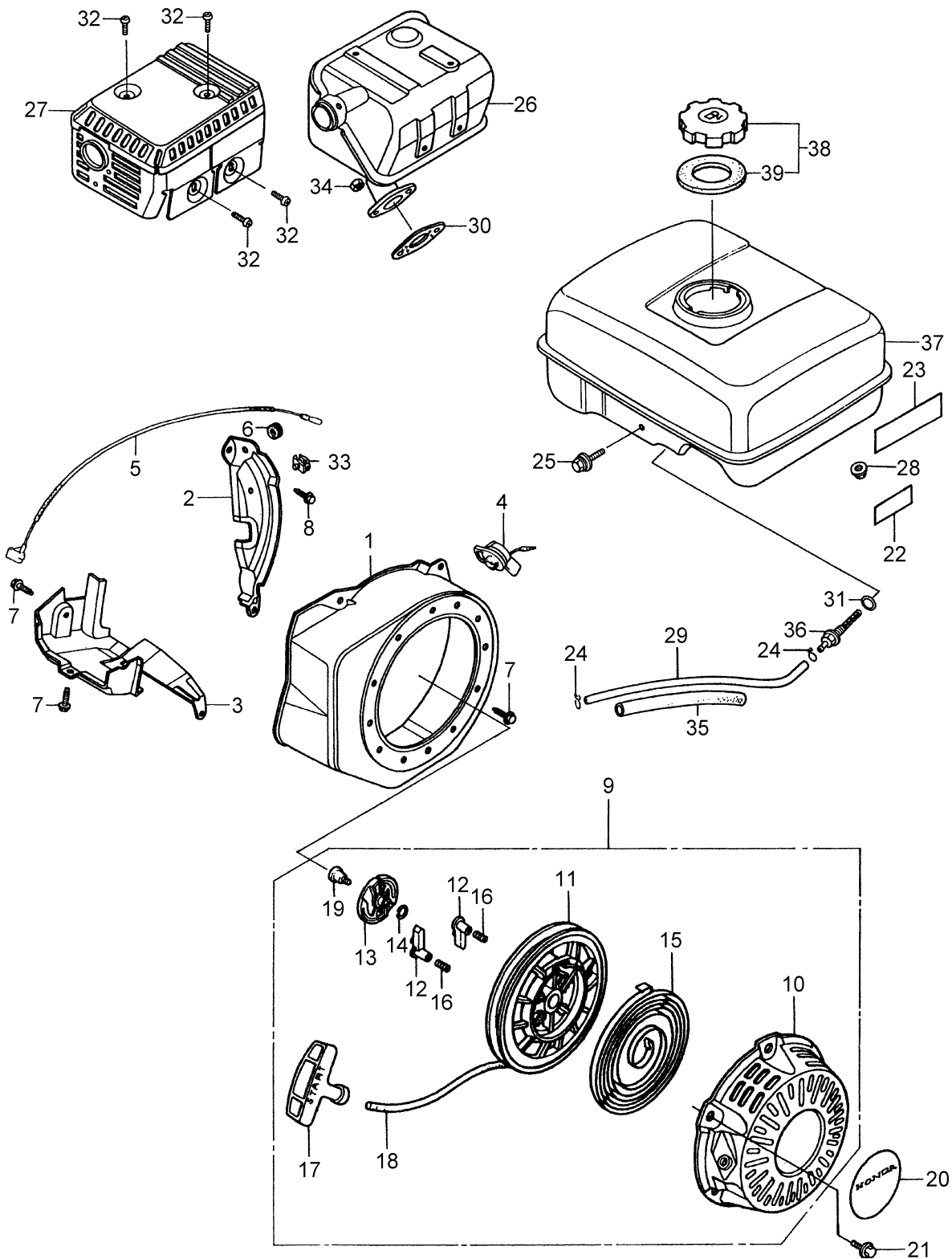
Ref.No.	Parts No.	Parts Name	Q'ty	Remarks
6-1	620823	Governor Arm	1	Incl.6-13,17,21,22
6-2	620824	Governor Rod	1	
6-3	620825	Governor Spring	1	
6-4	620826	Throttle Return Spring	1	
6-5	620827	Control Ass'y	1	
6-6	620828	Control Lever	1	
6-7	998280	Lever Spring	1	
6-8	620829	Control Lever Washer	1	
6-9	990418	Cable Holder	1	
6-10	998278	Control Lever Spacer	1	
6-11	620830	Control Base Comp.	1	6X12
6-12	990419	Control Adjusting Spring	1	
6-13	583721	Cable Return Spring	1	
6-14	583762	Flange Bolt	1	
6-15	990467	Flange Bolt	1	
6-16	583723	Governor Arm Bolt	1	
6-17	583724	Self Lock Nut	1	
6-18	990487	Flange Nut	2	
6-19	990471	Wingnut	1	
6-20	583756	Bolt	1	
6-21	620831	Pan Screw	1	Incl.44
6-22	620832	Pan Screw	1	
6-23	990487	Flange Nut	1	
6-24	620833	Gasket Set	1	
6-25	998250	Float Valve Set	1	
6-26	583729	Float Set	1	Incl.29
6-27	583730	Float Chamber Set	1	
6-28	998257	Pilot Screw Set	1	
6-29	998255	Drain Screw Set	1	
6-30	583731	Screw Set	1	
6-31	583732	Choke Set	1	
6-32	625235	Carburetor Ass'y	1	
6-33	998258	Throttle Stop Screw	1	
6-34	620835	Main Nozzle	1	
6-35	620846	Choke Mark	1	
6-36	620837	Insulator	1	Incl.47
6-37	583737	Carburetor Spacer Comp.	1	
6-38	625236	Carburetor Packing	1	
6-39	620839	Insulator Packing	1	
6-40	583740	Choke Lever Comp.	1	
6-41	583741	Cock Lever	1	
6-42	998266	Lever Setting Plate	1	
6-43	998265	Cock Lever Spring	1	
6-44	620840	Gasket,Petcock	1	
6-45	583752	Cleaner Cap	1	

6. MS330EMH-NF(MUS) ENGINE AIR CLEANER, CARBURETOR, GOVERNOR



Ref.No.	Parts No.	Parts Name	Q'ty	Remarks
6-46	620841	Pan Screw	2	
6-47	583744	Spring Pin	1	
6-48	625237	Main Jet	1	#55
6-49	998260	Pilot Jet Set	1	#35
6-50	583746	Air Cleaner Element	1	
6-51	583747	Air Cleaner Grid	1	
6-52	620843	Air Cleaner Cover	1	
6-53	620844	Air Cleaner Collar	2	
6-54	583750	Air Cleaner Collar B	1	
6-55	620845	Air Cleaner Elbow Comp.	1	Incl.53,54

7. MS330EMH-NF(MUS) ENGINE FUEL TANK, RECOIL STARTER, MUFFLER



Ref.No.	Parts No.	Parts Name	Q'ty	Remarks
7-1	620848	Fan Cover Comp.	1	
7-2	625238	Side Plate	1	
7-3	625239	Shroud Comp.	1	
7-4	625240	Stop Switch Ass'y	1	
7-5	620851	Stop Switch Cord	1	
7-6	620852	Grommet	1	
7-7	990467	Flange Bolt	6	6X12
7-8	583762	Flange Bolt	1	
7-9	620853	Recoil Starter Ass'y	1	Incl.10-19
7-10	620854	Recoil Starter Case Comp.	1	
7-11	620856	Recoil Starter Reel	1	
7-12	620857	Starter Ratchet	2	
7-13	620858	Ratchet Guide	1	
7-14	620859	Friction Spring	1	
7-15	620860	Recoil Starter Spring	1	
7-16	620861	Return Spring	2	
7-17	620862	Recoil Starter Knob	1	
7-18	620863	Recoil Starter Rope	1	
7-19	620864	Setting Screw	1	
7-20	620865	Emblem	1	
7-21	586568	Flange Bolt	3	
7-22	625241	Label	1	
7-23	620847	Label	1	
7-24	990499	Tube Clip	2	
7-25	583796	Flange Bolt	1	
7-26	620866	Muffler Ass'y	1	
7-27	620867	Muffler Protector	1	
7-28	990487	Flange Nut	2	
7-29	583795	Fuel Tube	1	
7-30	620868	Muffler Gasket	1	
7-31	583794	O-Ring	1	
7-32	583785	Tapping Screw	4	
7-33	625242	Clip	1	
7-34	583787	Nut	2	
7-35	620869	Supporter Rubber	1	
7-36	583789	Fuel Tank Joint	1	
7-37	620870	Fuel Tank Comp.	1	
7-38	620871	Fuel Filler Cap Comp.	1	Incl.39
7-39	620872	Gasket,Fuel Filler Cap	1	