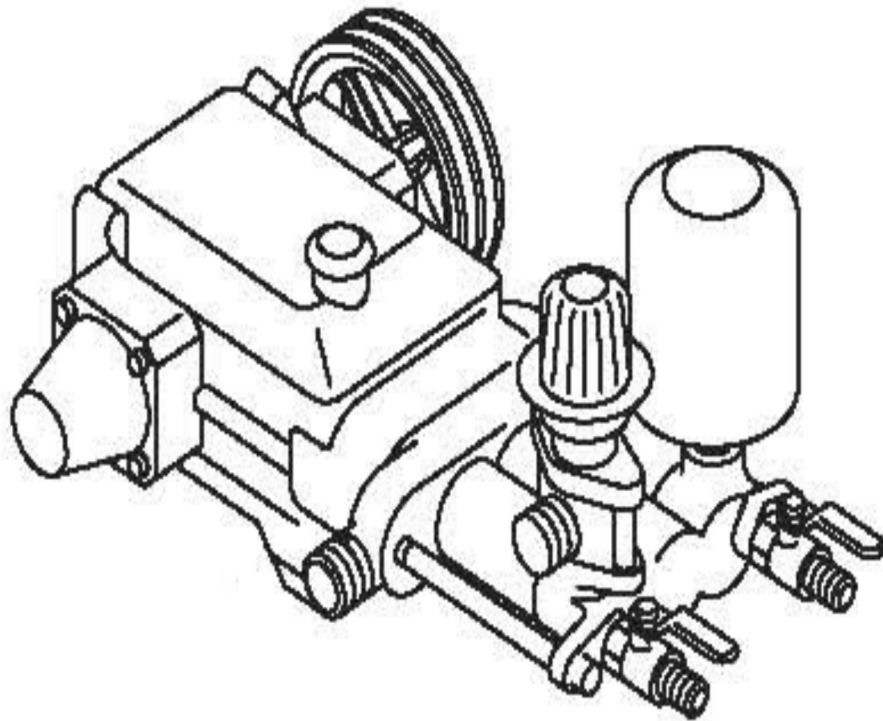


MARUYAMA

ILLUSTRATED PARTS LIST

MS330

PUMP

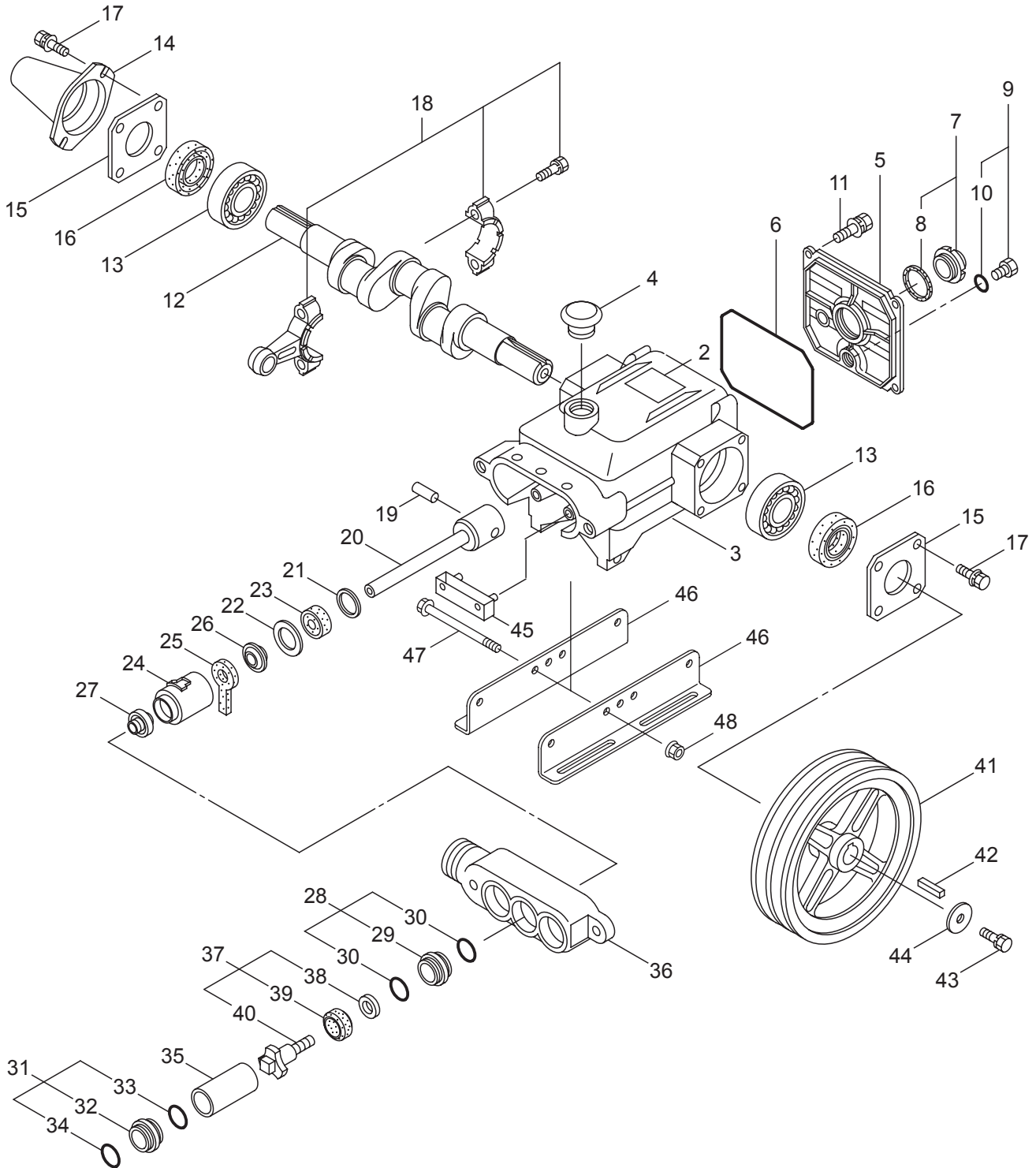


MS330
PUMP
PART #522785 06/2009



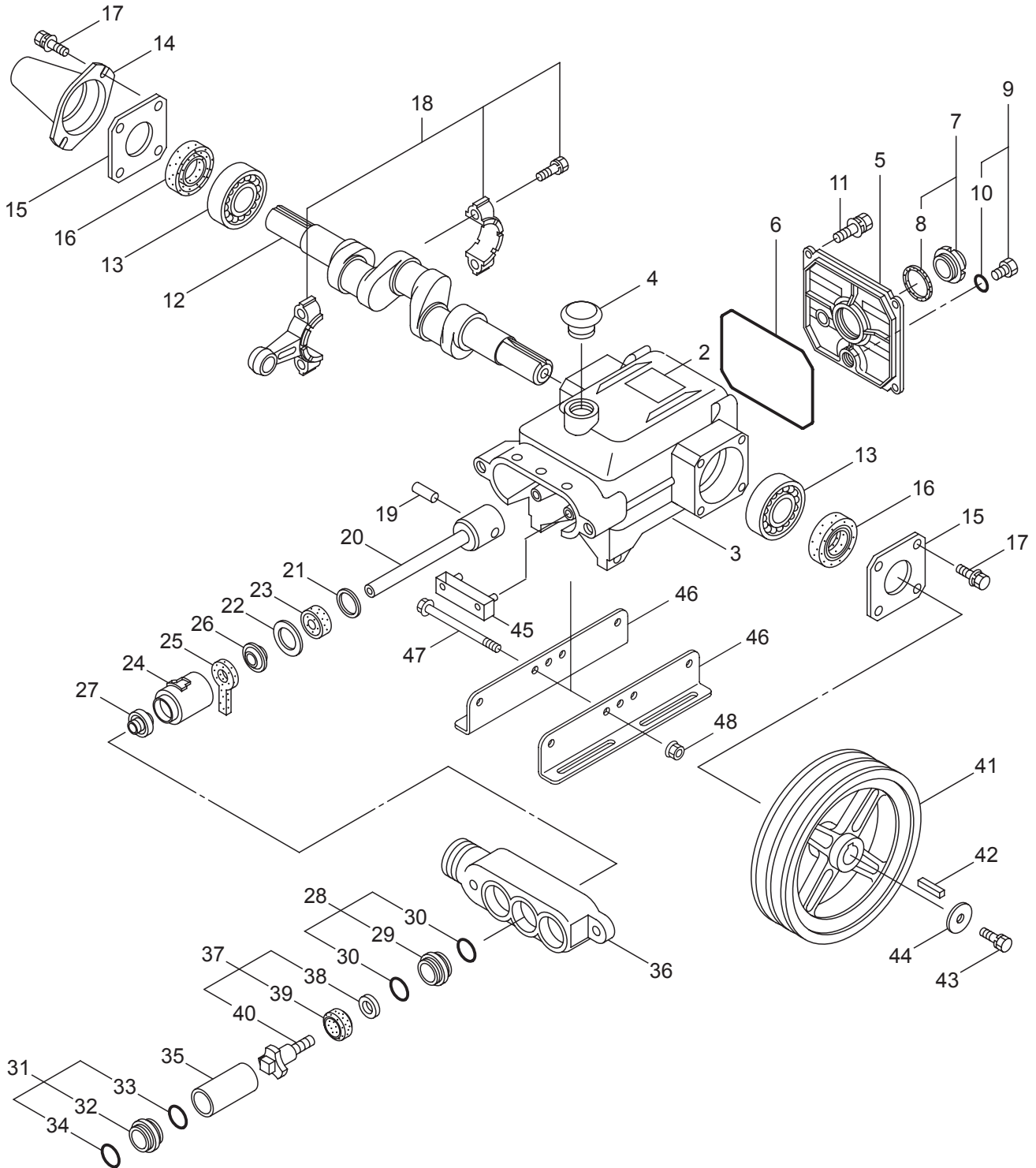
Maruyama. *E x t r a o r d i n a r y .*

1. MS330
CRANKCASE, SUCTION VALVE



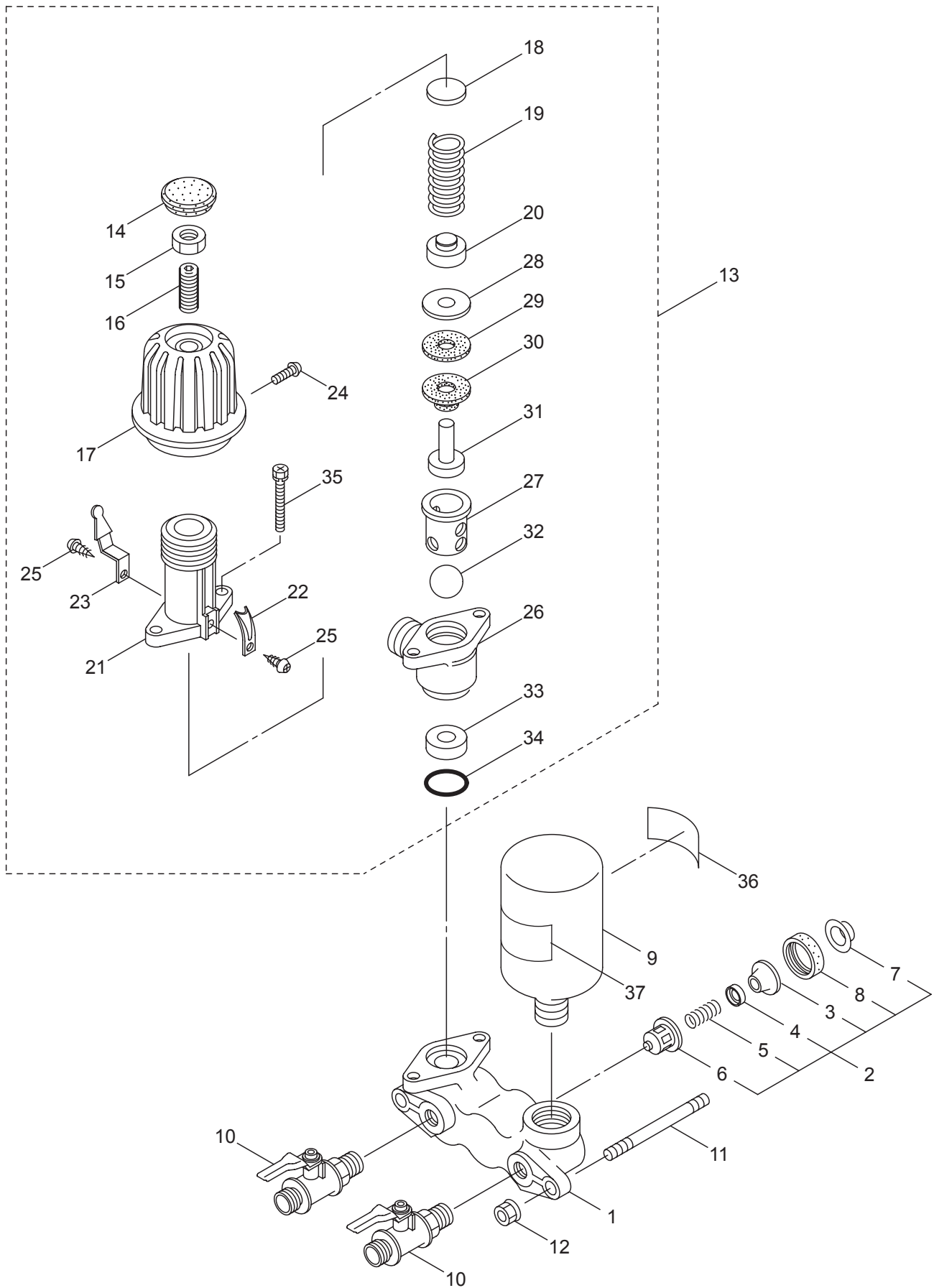
Ref. No.	Part No.	Part Name	Q'ty	Remarks
1-2	119691	Label	1	MS330
1-3	118176	Crankcase	1	
1-4	117420	Oil Filler Cap	1	
1-5	118646	Rear Cover, Crankcase	1	
1-6	014041	O-Ring	1	S100
1-7	092241	Oil Gauge Ass'y	1	Incl.8
1-8	044428	Packing	1	25x34xt2.5
1-9	091376	Drain Plug	1	Incl.10, G1/4
1-10	023170	O-Ring	1	P12.5
1-11	125824	Bolt	4	M6x16
1-12	103921	Crankshaft	1	
1-13	014487	Bearing	2	#6304
1-14	025130	Shaft Protector	1	
1-15	117424	Plate	2	
1-16	117423	Oil Seal	2	TC20528
1-17	125824	Bolt	4	M6x16
1-18	048734	Connecting Rod Ass'y	3	
1-19	016948	Piston Pin	3	9x22L
1-20	118183	Piston Rod	3	
1-21	126259	Washer	3	17x24xT1.2
1-22	126189	Washer	3	20x28xT1.2
1-23	025461	Oil Seal	3	S10.5247
1-24	027710	Seal Retainer	3	
1-25	027711	Felt Packing	3	
1-26	026853	Packing	3	
1-27	100015	Seal	3	
1-28	091109	Adapter Ass'y	3	Incl.29,30
1-29	016957	Adapter	3	
1-30	015862	O-Ring	6	P21
1-31	091108	Adapter Ass'y	3	Incl.32-34
1-32	022931	Adapter	3	
1-33	015862	O-Ring	3	P21
1-34	023172	O-Ring	3	P22
1-35	022929	Cylinder Pipe	3	25x28.5x55L
1-36	027713	Inlet Manifold	1	
1-37	620661	Inlet Valve Ass'y	3	Incl.38-40
1-38	124277	Inlet Valve Seat	3	6.1x20xt2.8
1-39	116121	Piston Packing	3	
1-40	118628	Piston Retainer	3	
1-41	100837	V-Pulley	1	152-Ax2
1-42	014543	Key	1	5x5x25L
1-43	126258	Bolt	1	M8x20
1-44	126198	Washer	1	8.5x30xT3.2
1-45	027712	Oil Pan	1	

1. MS330
CRANKCASE, SUCTION VALVE



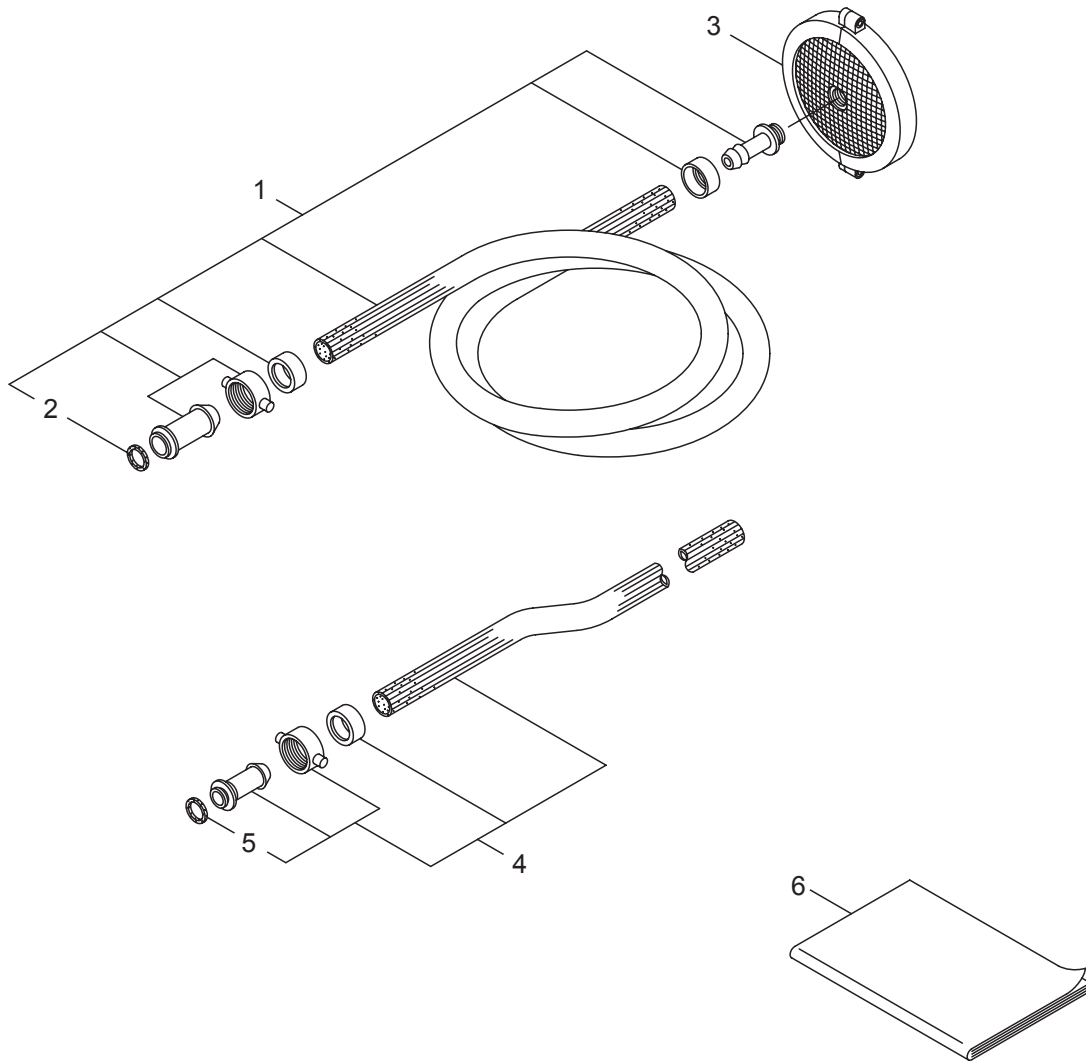
Ref. No.	Part No.	Part Name	Q'ty	Remarks
1-46	117633	Rail	2	
1-47	126200	Bolt	2	M8x115x30
1-48	126201	Nut	2	M8

2. MS330
PRESSURE REGULATOR VALVE



Ref. No.	Part No.	Part Name	Q'ty	Remarks
2-1	118409	Discharge Manifold	1	
2-2	105510	Discharge Valve Ass'y	3	Incl.3-8
2-3	105511	Discharge Valve Seat	3	
2-4	022842	Discharge Valve	3	
2-5	022031	Spring	3	
2-6	105512	Retainer	3	
2-7	105513	Packing Ring	3	
2-8	105514	Valve Case	3	
2-9	117813	Air Chamber	1	
2-10	117609	Cock Ass'y	2	PF1/4xPT1/4
2-11	127331	Stud	2	M8x150x11x18
2-12	126201	Nut	2	M8
2-13	123042	Pressure Regulator Valve Ass'y	1	Incl.14-35
2-14	105518	Cap	1	
2-15	126195	Nut	1	M10
2-16	088975	Screw	1	M10x48
2-17	118662	Grip	1	
2-18	126196	Retainer	1	17x2.3
2-19	105520	Spring	1	
2-20	105521	Retainer	1	
2-21	117448	Case	1	
2-22	117440	Plate	1	
2-23	105524	Indicator	1	
2-24	089899	Tapping Screw	2	M4x13
2-25	126855	Tapping Screw	2	M4x6
2-26	118237	Body	1	
2-27	012256	Retainer	1	
2-28	012255	Washer	1	6.2x22xt0.6
2-29	101922	Bellows Packing	1	5x22xt1.5, FPM
2-30	060555	Bellows	1	FPM
2-31	016975	Valve Rod	1	
2-32	107238	Valve Ball	1	12.7(1/2)
2-33	117443	Valve Seat	1	
2-34	014179	O-Ring	1	P20
2-35	126197	Bolt	2	M6x55
2-36	123043	Label	1	
2-37	123041	Label	1	

3. MS330
ACCESSORIES



Ref. No.	Part No.	Part Name	Q'ty	Remarks
3-1	105936	Suction Hose Ass'y	1	Incl.2
3-2	103686	Packing	1	18.5x24xt2
3-3	122017	Suction Strainer Ass'y	1	
3-4	104344	Spill Hose Ass'y	1	Incl.5
3-5	103685	Packing	1	12x18.5xt1.5
3-6	119675	Instruction Manual	1	



Maruyama U.S., Inc.
3570 Shelby Lane
Denton, TX 76207
940-383-7400 voice
940-383-7466 fax

www.maruyama-us.com