

# PARTS LIST

MS330  
MIC

## CONTENTS

1• CRANKCASE, INLET VALVE .....	1~ 2
2• DISCHARGE VALVE, PRESSURE REGULATOR VALVE ·	3~ 4
3• ACCESSORIES .....	5~ 6

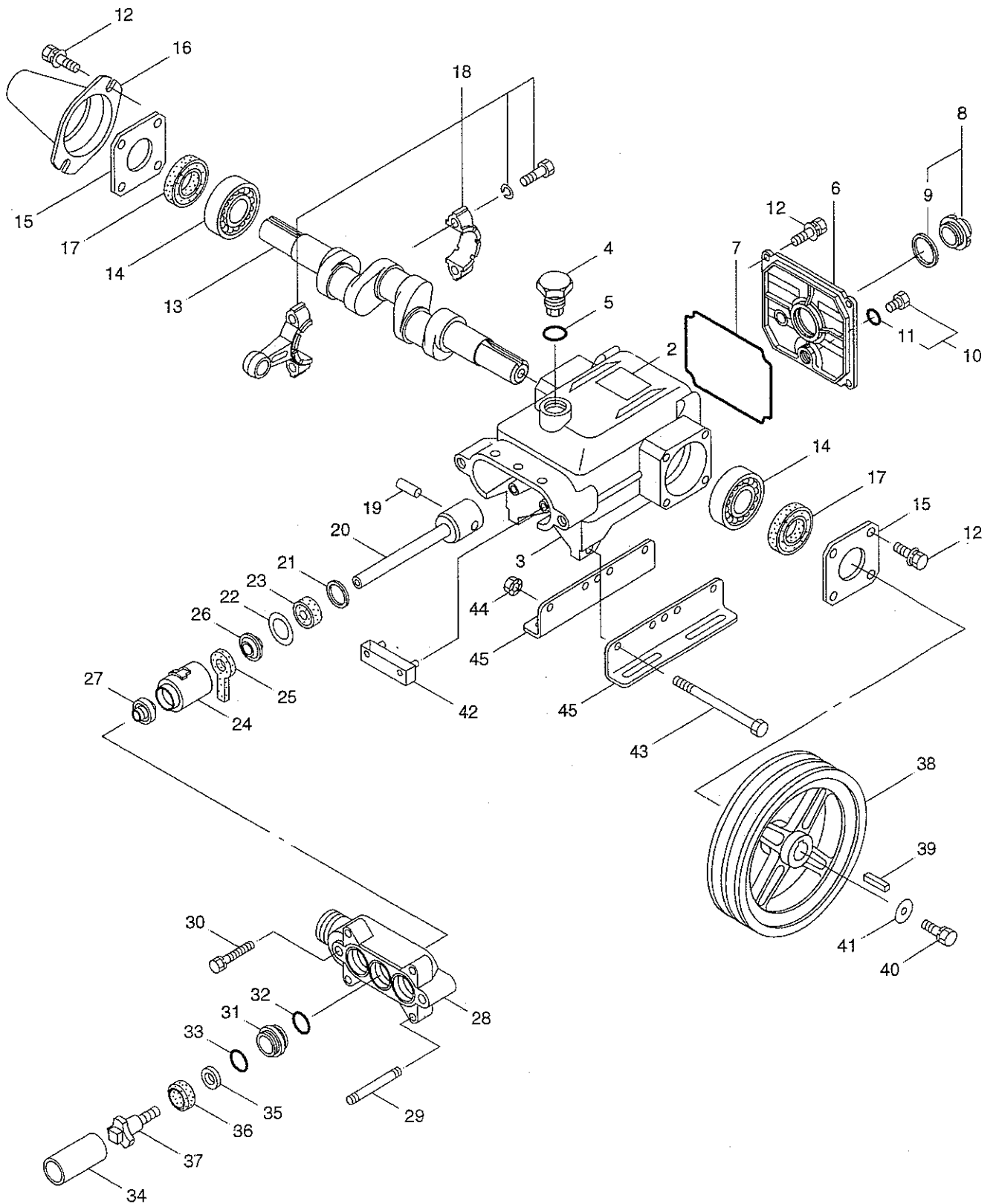
1999.2



**MARUYAMA**

P/N 521112

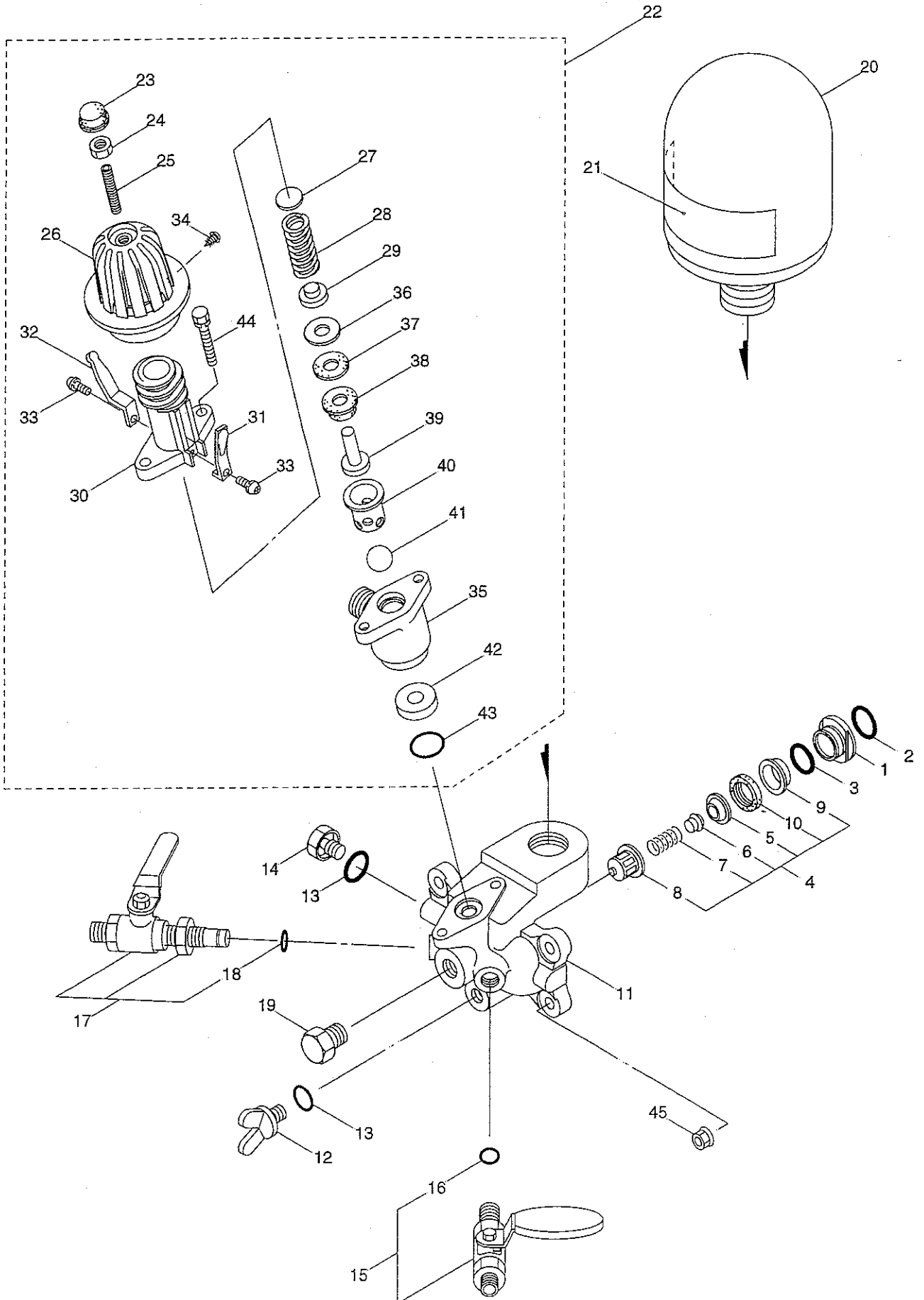
# 1.MS330 CRANKCASE, INLET VALVE



Ref.No.	Part No.	Part Name	Q'ty	Remarks
1-1	354000	MS330	1	MIC
1-2	119691	Label	1	MS330
1-3	120655	Crankcase	1	
1-4	044839	Oil Filler Cap	1	
1-5	014179	O-Ring	1	P20
1-6	118646	Rear Cover, Crankcase	1	
1-7	014041	O-Ring	1	S100
1-8	043987	Oil Gauge	1	Incl.9
1-9	044428	Packing	1	25x34xt2.5
1-10	091376	Drain Plug	1	Incl.11, PF1/4
1-11	023170	O-Ring	1	P125
1-12	092519	Bolt	12	M6x16
1-13	117422	Crankshaft	1	
1-14	014487	Bearing	2	#6304
1-15	117424	Plate	2	
1-16	025130	Shaft Protector	1	
1-17	117423	Oil Seal	2	TG20528
1-18	024139	Connecting Rod Ass'y	3	
1-19	016948	Piston Pin	3	9x22L
1-20	118183	Piston Rod	3	
1-21	020017	Washer	3	17x24xt1.2
1-22	026854	Washer	3	20x28xt1.2
1-23	025461	Oil Seal	3	S10 5247
1-24	117576	Seal Retainer	3	
1-25	027711	Felt Packing	3	
1-26	026853	Packing	3	
1-27	100015	Seal	3	105507
1-28	<del>101705</del>	Inlet Manifold	1	
1-29	085684	Stud	3 <sup>4</sup>	M8x91x11x18
1-30	817034	Bolt	2	M8x45
1-31	022931	Adapter	3	
1-32	023172	O-Ring	3	P22
1-33	015862	O-Ring	3	P21
1-34	022929	Cylinder Pipe	3	25x28.5x55L
1-35	014122	Inlet Valva Seat	3	6.1x20xt2.8
1-36	116121	Piston Packing	3	
1-37	118628	Piston Retainer	3	
1-38	100837	V-Pulley	1	152-Ax2
1-39	014543	Key	1	5x5x25L
1-40	092521	Bolt	1	M8x20
1-41	100836	Washer	1	8.5x30xt3.2
1-42	027712	Oil Pan	1	
1-43	080275	Bolt	2	M8x115x30
1-44	101804	Nut	2	M8
1-45	117438	Angle Rail	2	

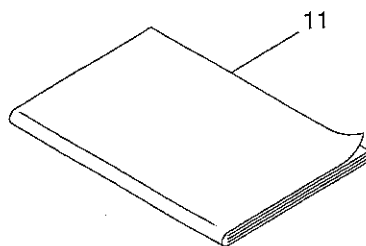
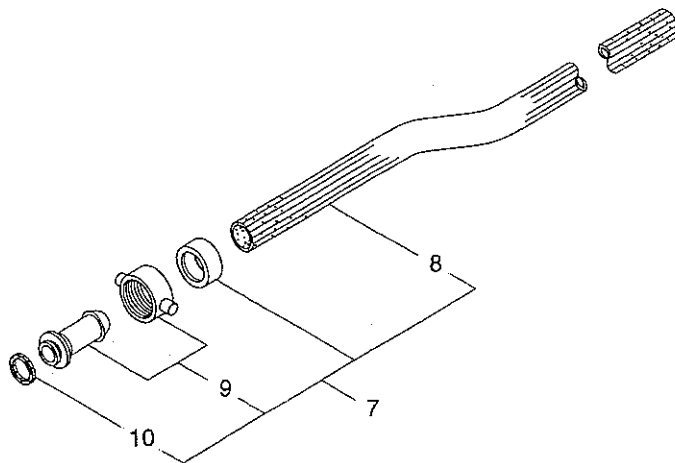
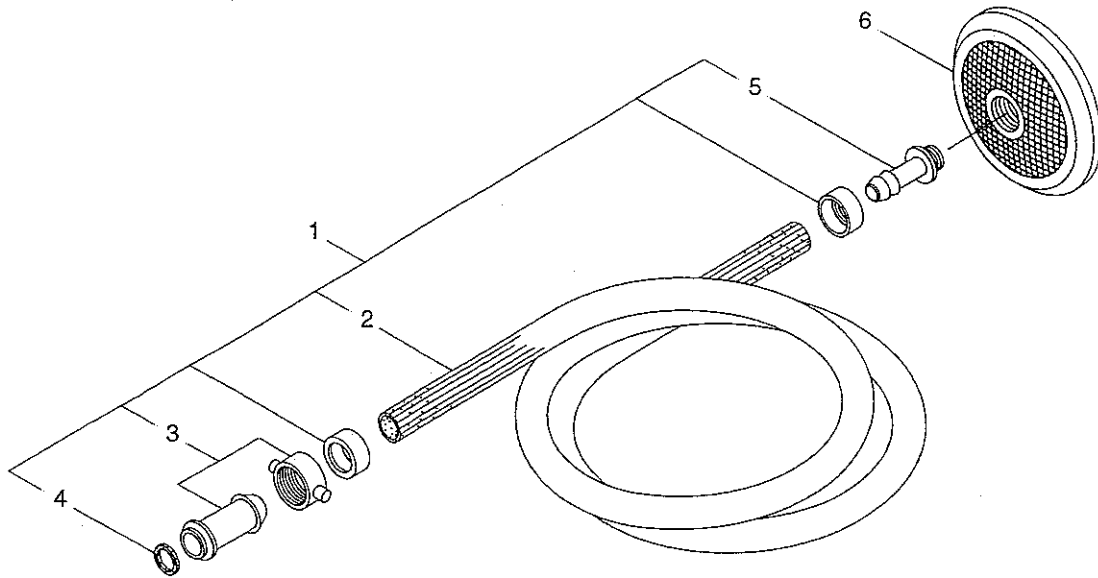
# 2.MS330

## DISCHARGE VALVE, PRESSURE REGULATOR VALVE



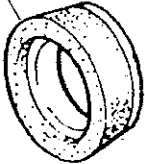
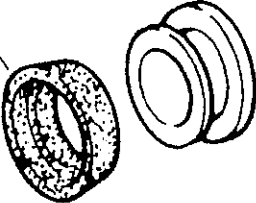
Ref.No.	Part No.	Part Name	Q'ty	Remarks
2-1	105509	Adapter	3	
2-2	015862	O-Ring	3	P21
2-3	023172	O-Ring	3	P22
2-4	105510	Discharge Valve Ass'y	3	Incl 5-10
2-5	105511	Discharge Valve Seat	3	
2-6	022842	Discharge Valve	3	
2-7	022031	Spring	3	
2-8	105512	Retainer	3	
2-9	105513	Packing Ring	3	
2-10	105514	Valve Case	3	
2-11	108676	Discharge Manifold	1	
2-12	108366	Drain Plug	1	PF1/4
2-13	023170	O-Ring	2	P125
2-14	108367	Plug	1	PF1/4
2-15	108394	Cock Assy	1	Incl 16, PF3/8
2-16	011373	O-Ring	1	P10
2-17	108361	Cock Assy	1	Incl 18, PF1/4
2-18	022056	O-Ring	1	P7
2-19	108368	Plug	1	PT1/2
2-20	107752	Air Chamber	1	
2-21	108465	Label	1	
2-22	120658	Pressure Regulator Valve Ass'y	1	Incl 23-44
2-23	105518	Cap	1	
2-24	084015	Nut	1	M10
2-25	088975	Screw	1	M10x48
2-26	118662	Grip	1	
2-27	019917	Retainer	1	
2-28	105520	Spring	1	
2-29	105521	Retainer	1	
2-30	117448	Case	1	
2-31	117440	Plate	1	
2-32	117441	Indicator	1	
2-33	082744	Screw	2	M4x6
2-34	089899	Tapping Screw	2	M4x13
2-35	118237	Body	1	
2-36	012255	Washer	1	6.2x22xt0.6
2-37	016972	Bellows Packing	1	5x22xt1.5
2-38	011451	Bellows	1	
2-39	016975	Valve Rod	1	
2-40	012256	Retainer	1	
2-41	107238	Valve Ball	1	12.7
2-42	120659	Valve Seat	1	
2-43	029313	O-Ring	1	19.8x2.6
2-44	118610	Bolt	2	M6x55
2-45	101804	Nut	4	M8

# 3.MS330 ACCESSORIES



Ref.No.	Part No.	Part Name	Q'ty	Remarks
3-1	105936	Suction Hose Ass'y	1	Incl 2-5
3-2	103571	Hose	1	19x1Bx3000
3-3	098010	Hose Coupling	1	PF3/4
3-4	103686	Packing	1	18.5x24xt2
3-5	105937	Hose Coupling	1	PF1
3-6	116682	Suction Strainer Ass'y	1	
3-7	104344	Spill Hose Ass'y	1	Incl 8-10
3-8	104345	Hose	1	13x19x3000
3-9	098009	Hose Coupling	1	PF1/2
3-10	103685	Packing	1	12x18.5xt1.5
3-11	120660	Instruction Manual	1	

INFORMATION ABOUT CHANGE OF PARTS

APPLY TO MODELS	MS330 and MS330ECB (for MIC)		
PART NO. & PART NAME	116121 Piston Packing		
DESCRIPTION OF CHANGE			
BEFORE THE CHANGE	AFTER THE CHANGE		
Piston Packing Assembly (Unified)  <u>116121 Piston Packing</u>  	Piston Packing + Inlet valve (Separate)  <u>016958 Piston Packing</u> <u>022930 Inlet valve</u>  		
REASON FOR CHANGE			
1.QUALITY IMPROVEMENT		2.MATERIAL IMPROVEMENT	
3.MACHINING IMPROVEMENT		4.ASSEMBLING IMPROVEMENT	
5.SAFETY	6.STANDARDIZATION	7.AVAILABILITY	
③OTHERS Request from customer.			
WHEN TO APPLY (OR MFG.NO.~)		2001.4.	
INTERCHANGEABILITY			
1.OLD ↔ NEW		2.OLD → NEW	
		3.OLD ← NEW	
*④OLD ←×→ NEW			
HOW TO DISTINGUISH BETWEEN NEW AND OLD			
①FROM APPEARANCE		2 BY MARKING	
		3 OTHERS	
REMARKS * There are an interchange with assy between old type and new type.			