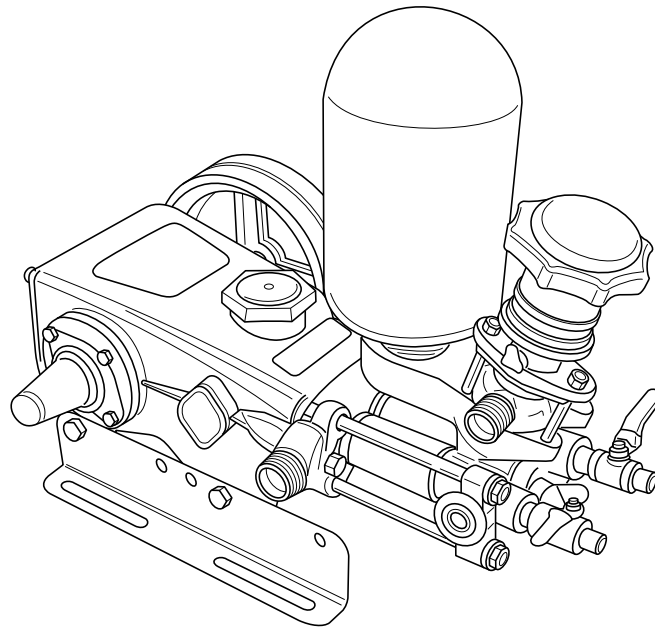




Power Sprayer
Bomba de piston
Pulvérisateur automoteur
MS315,MS415,MS515,
MS615,MS655,MS755



Instruction Manual
Manual de instrucciones
Mode d'emploi

Be sure to read this manual before using this product. Always keep this manual for reference.
Asegúrese de leer este manual antes de comenzar. Siempre manténgalo a mano cuidadosamente.
Veuillez bien lire ce mode d'emploi avant l'utilisation, et gardez le manuel afin de faciliter votre référence à date postérieure.

Introduction

Thank you very much for buying this product.

This instruction manual describes how to use and maintain this product correctly.

Before getting started, please read this instruction manual carefully for a full understanding of the product. Utilize this manual so that this product can function at its best performance longer.

After you read this manual, be sure to keep it at hand to carefully check for any matter that you do not understand. Please note that the product may be partially different from the contents of the manual because we are always trying to offer better products.

If you have please contact your MARUYAMA Service dealer.

- **Keep the instruction manual at hand.**
- **If you lose this manual, please obtain a replacement from MARUYAMA Service dealer.**
- **Do not modify this product, because doing so may create unsafe conditions which may be harmful or dangerous.**

Purpose of use


This product is intended for the application of properly mixed agricultural and pest control chemicals. Please note that we are not liable for any accident caused by the use deviating from the range of the use purpose or any accident resulting from modification or disassembly without permission.

Precautions

This manual denotes handling precautions that are critical as described below.

 **DANGER** Personal death or serious injury will result if the warning is not followed.

 **WARNING** Personal death or serious injury may result if the warning is not followed.

 **CAUTION** Personal injury may result if the warning is not followed.

CAUTION Machine damages may result if the warning is not followed.



When letting another person run this product

Tell him/her how to run this product in advance and explain each warning label with [!] (Safety precaution mark) attached to the machine. To avoid any misunderstanding, tell him/her to read the instruction manual and precautions on safe work carefully and learn the handling method while checking the machine before getting started.

Particularly, explain the prohibited matters in detail.

As if you were using it!



1.  For Safe Operation	2
Precautions Before Getting Started	2
Precautions on Use (Chemical)	4
(Preparation for Operation)	5
(During Operation)	6
Precautions on Setup	7
Precautions on Setup/Post-use Precautions	9
2. Part Names and Operating Parts	10
Part Names	10
Checking Standard Accessories, Functions of Standard Accessories and Operating Parts, and Warning Labels 	11
3. How to Handle and Operate	12
Preparation and Check – Spraying	12
Preparation and Check – Spraying – Stop	13
4. Cleaning, Maintenance, and Storage	15
Cleaning, Maintenance, and Storage	16
Troubleshooting and Actions for Power Sprayer	17
5. Servicing	19
After-sales Servicing	19
Changing the Direction of the Bypass Port	19
Machine Modification	19
6. Specifications	20
Table of Specifications	20

1. ⚠️ For Safe Operation

Precautions Before Getting Started

Before getting started, be sure to check and read the precautions on labels attached to the machine to learn the safe and correct handling method.

Precautions on Safety

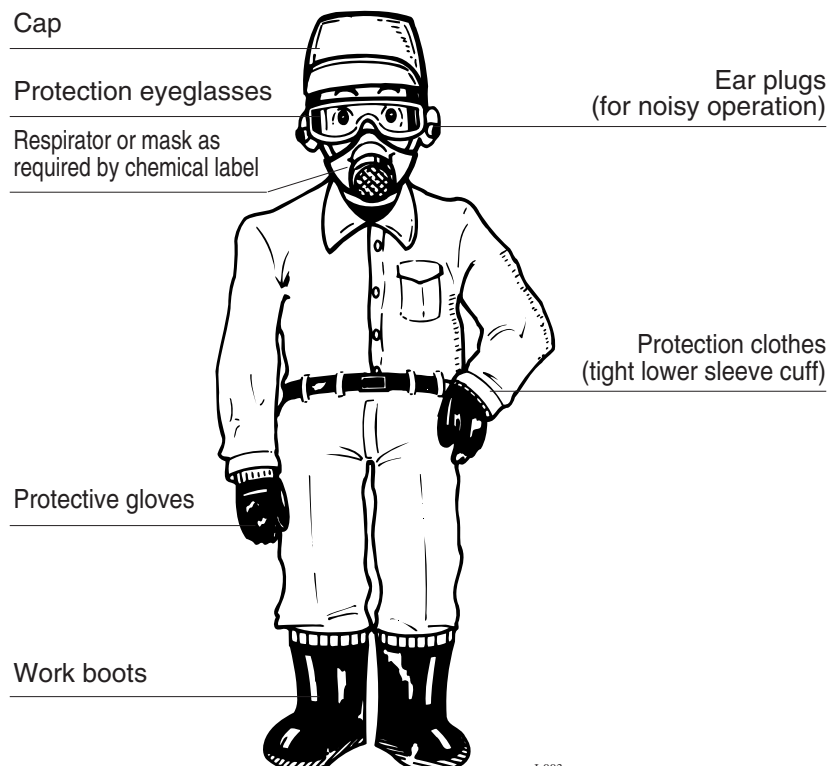
Described here are just some examples. Do not forget that the operation is always accompanied by danger, to avoid any potential injury or harm.

These people are prohibited from spraying:

- People who are unable to perform normal operation due to fatigue, illness, effects of drugs, etc.
- People under the influence of alcohol
- Pregnant women
- Injured people and those who are easily affected by agrichemicals
- Young people (below 15 of age)
- People not familiar with the proper use of this product

Wear the clothes suitable for operation.

The operator must wear the clothes fitting his/her body.



I-003

⚠️ WARNING

Check, maintain, all safety equipment so that they will function as intended.

Just In Case

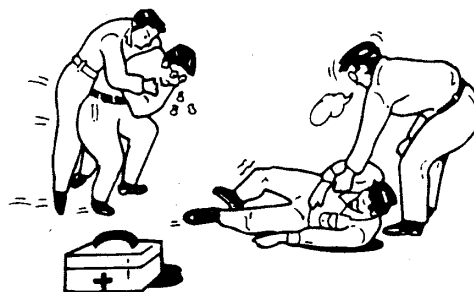
Handling of Agrichemicals

⚠️ WARNING

Consult the chemical manufacturer's label and MSDS for all required safety equipment, application instructions, first aid instructions and other precautions and safety warnings. Follow all chemical manufacturer's label and MSDS instruction. If you have any questions, contact the chemical manufacturer for advise prior to use of chemicals.

Check the method of emergency call.

If you do not know the first-aid action!



I-005

Precautions on Use (Chemical)

Handling of Chemical

⚠ WARNING

- (1) Read the instruction manual of the chemicals carefully. Read the labels for the chemicals and fertilizer to be used carefully to become familiar with how to use them and precautions on use.
- (2) Wear the clothes that prevent exposure to the conditioner.
- (3) Prepare the necessary volume of conditioner.
- (4) Prepare and place the conditioner at the spraying location. Check the direction of wind and spray at the location so environmental contamination will not occur.
- (5) Do not prepare on the machine or in the tank in advance of transportation. The spilt conditioner may result in environmental contamination.
- (6) Do not store or transport the conditioner along with any drink or food. When transporting, be careful not to break the container.
- (7) Make a spraying plan. Prepare the conditioner not to leave any remainder.
- (8) Put the remaining conditioner in a fully closed container or bag that lets anyone identify the content. Isolate from any other materials and store the container or bag so that any unauthorized person cannot take it. Never store the conditioner in a container for drinks or food.
- (9) Dispose the empty bag, can, and bottle according to the instruction manual of the conditioner or to the instruction by the local government.

⚠ DANGER

- Do not hold the spraying hose. You may be exposed to agrichemicals. Because of the loose nozzle head.

⚠ WARNING

- Do not use any highly combustible agrichemical because fire or combustion may occur.

⚠ CAUTION

- If the volume sprayed per unit area or the type of conditioner is incorrect, hazardous spills may be caused.
- Do not leave the conditioner in the conditioner tank for a long time because this may affect the machine.

Perform the operation in a timely manner.

- (1) Check the direction of wind and the situation surrounding the field. If wind is strong, the conditioner may drift into undesired areas. Therefore, please avoid the operation.
- (2) Avoid the high-temperature times of day.
- (3) Do not perform the operation if you are tired or sick.
- (4) Do not enter the field immediately after spraying.

Be sure to read the manual!



Prohibited



I-008

Wear proper clothes.



Prohibited



I-009

Do not put the chemical(s) together with food.



Prohibited



I-010

Separate and store the chemical(s) in good order.

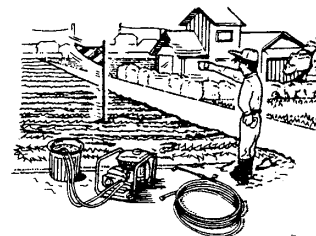


Prohibited



I-011

Check the direction of wind and surrounding area.



Prohibited



I-020

Do not enter immediately after spraying.



Prohibited



I-021

Precautions on Use (Preparation for Operation)

Precautions on Use (Inspection, Maintenance and transportation)

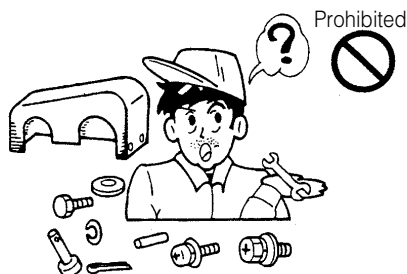
- (1) When transporting sprayer on a truck, take the proper action so that the machine will not fall.
- (2) When loading/unloading a heavy material, do not take an unreasonable stance nor perform one-man operation.
- (3) Refill the fuel after the engine cools down. Do not smoke while refueling. Avoid static discharge when refueling. Tighten the lid on the fuel tank snually. Remove any spilled fuel completely.
- (4) Check for loosened bolts/nuts on each part and slipped-away or damaged setting pins.
- (5) After covers for rotary parts, etc. are removed for maintenance, etc., re-attach all of them correctly.
- (6) Do not start the engine near combustible materials or at a poorly ventilated or narrow location. Do not operate indoors.
- (7) For electrical wiring, oils, water, and fire are strictly prohibited.

Fire prohibited



I-012

Attach the safety cover accurately!



I-013

Be careful of ventilation and combustibles!



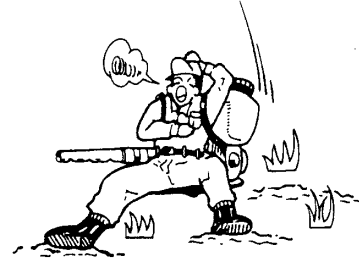
I-014

Precautions on Use (During Operation)

Points in Operation

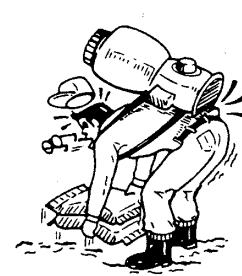
- (1) Avoid fatigue by taking proper breaks.
- (2) Always keep in mind that the working machine containing the conditioner is a heavy material.
- (3) Pay attention to the clothes, field conditions, and direction of wind to avoid exposure to agrichemicals and environmental contamination. The direction in which agrichemicals flow may be dangerous.
- (4) For cooperative operation, define and check accurate signs among all members.
- (5) Refuel without letting fuel spill out after the engine is stopped and cooled down.
- (6) During operation, do not allow any unauthorized person to come into the work area being sprayed.
- (7) Depending of the agent to be sprayed, static electricity can be avoided by using a ball chain (optional).
- (8) Check the packing and tighten the lid on the chemical tank so that the chemical will not come out.
- (9) Do not direct the spray nozzle toward any person.
- (10) Before any break, rinse your mouth out and wash your hands and face with soap and water.
- (11) If you feel ill while or during spraying, treatment by a medical doctor is immediately needed. Seek medical attention immediately.

Have a rest properly.



I-015

Unreasonable work prohibited!



Prohibited



I-016

Pay attention to the field and environment!



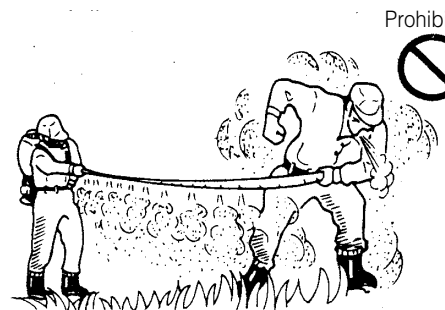
Prohibited

Up
wind



I-017

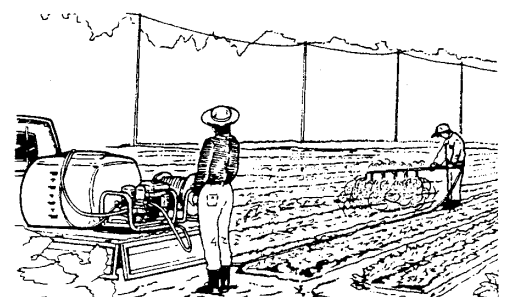
Determine signs for cooperative work!



Prohibited



I-018



I-024

Points in Handling This Machine

Applications

- Spraying chemicals for crops from the fields of rice, crops from general vegetable fields, fruit trees, mulberry, and trees
- Spraying pesticide solutions or insecticides for cattle houses, chicken houses, and city sanitation
- Spraying liquid herbicides ○Spraying water to crops from general vegetable fields or fields of rice
- Washing cattle houses, chicken houses, agricultural crops, and agricultural instruments
- Washing wall surfaces, etc. of building structures and protecting electric feeder lines from salt damages

CAUTION

Do not use strong acid, strong alkali, chemical solvents, or hot water. This may cause damage to your sprayer or spray pump.

WARNING

- When setting up this product with a motor, please contact your MARUYAMA service dealer.
- When driving this product using a V pulley or V belt, be sure to attach a cover over the rotary part so that it cannot be easily touched during check.(Keep the cover being attached for operation and check. If the cover cannot be installed, special considerations are required e.g. be sure to provide a fence around the working machine.)
- Be sure to "stop" this machine before check or adjustment.

CAUTION

- Choose pulleys and engine speeds within the ranges of the specified rotating speed, pressure, and water volume.
If these ranges are exceeded during use, damages of the power sprayer or accidents may be caused.
- The rated output of the motor must be at or above the specified power of the power sprayer. Otherwise, its performance be less than advertised.
- Be sure to set up in such a way that the oil gauge on the power sprayer can be easily checked.

CAUTION

- To fasten this machine use bolts with proper sizes and strength. Install the machine securely.
If installation of the power sprayer or motor is unstable, vibration may occur and the power sprayer may be adversely affected.
- Select the proper-size V pulley or V belt complying with the specified power.
- Use the size of the V pulley shaft hole or key groove matching the shaft.
Do not use any shaky V pulley hole or key groove because accidents may be caused by detrimental vibration,
- The shaft end must slightly retract from the pulley surface. Tighten the bolt accurately via the washer. Use the V pulley set screw as necessary.
- Install the V pulley of the motor and the V pulley of the power sprayer on a straight line. If the V belt is not set straight when viewed down, an unreasonable force is applied and the V belt may be damaged or slip away.
- The V belt must not be too tight or too loose. If it is too tight, the engine or pump bearings may be damaged. If it is too loose, belt damages or slip-away may be caused.
- When using two or more V belts, use the same type and size.
- When replacing V belts, replace all at the same time.

Piping

DANGER

- Use the same pipe type and size for the hose and nozzle to be connected. When connecting, be sure to check the packings and connect accurately.
If the pipe size or type is inadequate, the packing is lost or damaged, or the threads is loose, you may be exposed to the chemical. Also, you may be exposed to the chemical because the packing comes out or is damaged if the fittings are over-tightened. Tighten the screw adequately.
- Before preparing the conditioner, be sure to check for leaks with fresh water.

(Water intake)

- The standard suction tube diameter is the diameter of the pump suction port. If the suction hose has elbows or valves, etc., use one-pipe size larger suction tube diameter.

CAUTION

If the suction tube diameter is smaller than required, performance degradation or failures may be caused.

- Suction pump head must be 3 meters or less.

(Spraying)

- Select spraying hose rated at or above the pump pressure.

(Hose)

- Put the suction hose and bypass hose in the tank accurately and fasten them with clamps, etc. securely.
- When connecting the hose, be sure to check any seals and threads for tightness.

WARNING

Connect the bypass hose only to the bypass port. If the bypass port is fully closed by connecting a valve, the machine may be damaged and personal injury may occur. Therefore, never connect a valve to the bypass port or hose.

(Nozzle)

- Select a nozzle that flows approximately 30% of the bypass volume.

DANGER

- If proper nozzles (proper to performance of the pump), the standard fittings are removed, or the nozzle is handled unreasonably, the original performance cannot be exercised and troubles or, depending on the case, personal injury or damages may be caused.

CAUTION

- Do not point the nozzle toward people because exposure to the chemical may occur.

Precautions on Setup/Post-use Precautions

Points on Engine Operation

DANGER

- The fuel is combustible. Do not put fire close to the operating location.
- Be sure to stop and cool down the engine before fuel refilling. Wipe off the spilt fuel completely.
- When refilling fuel or performing maintenance, do not smoke or put lit items close to the machine.
- After this machine is refilled with fuel, separate the gas can used to refueling at least 3 meters then start the engine.
- Do not refill the fuel exceeding the standard volume, give strong vibration, nor tilt the machine.

WARNING

- The exhaust gas from the engine is harmful. Do not run the engine indoors because carbon monoxide poisoning may occur. Be careful not to inhale the engines exhaust gas.

CAUTION

- The engine is hot while it is running and immediately after it is stopped. Burn may occur if the muffler or cylinder fin is touched.
- A high voltage is delivered to the spark plug while the engine is running. Never touch the spark plug and plug cord because it is dangerous.

CAUTION

Strictly follow the above instructions and read the instruction manual of the engine carefully. Refer to any additional requirements described by your engine manufacturer.

Post-use Precautions

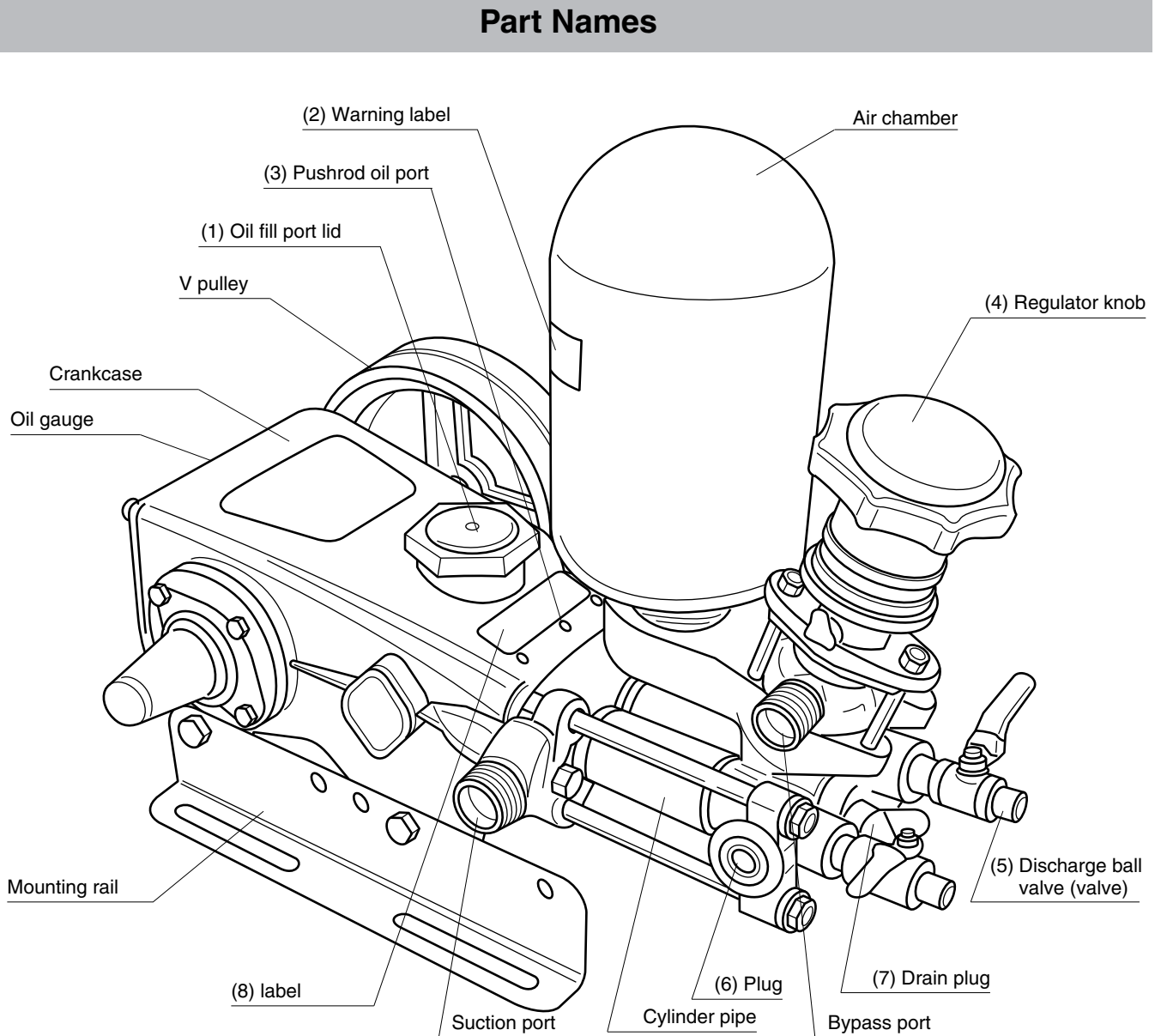
- (1) Spray the applicable chemical or fertilizer so that it will not remain in the conditioner tank.
- (2) Remove the conditioner from the machine completely. Rust generation or failures may occur.
- (3) Remove the fuel before long term storage.
- (4) Rinse your mouth out and wash your body immediately after spraying chemicals.
- (5) Fully clean the protectors used for the operation and wash spraying chemicals.
- (6) If any part is damaged, repair it before storage. In this case, use the genuine parts designated by MARUYAMA for parts and consumables.
- (7) Store the machine at a dry location avoiding dust adhesion.

Clean after work!



2. Part Names and Operating Parts

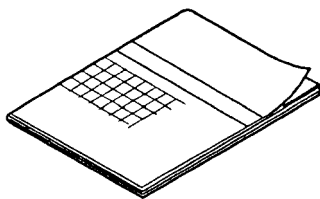
Part Names



Checking Standard Accessories

After the package is opened, make sure that all accessories are provided first. If any accessory is missing or broken, please contact MARUYAMA service dealer immediately. Sizes and quantities of accessories are listed in the Table of Specifications on Page 20.

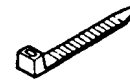
Standard Accessories



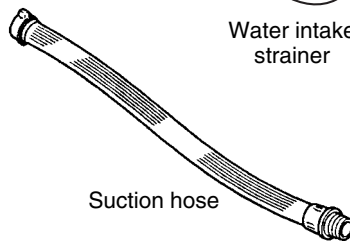
Instruction manual



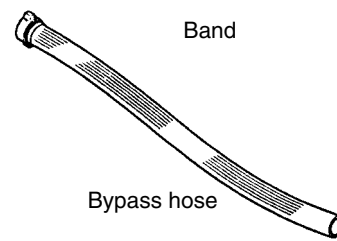
Water intake strainer



Band



Suction hose



Bypass hose

Product Features

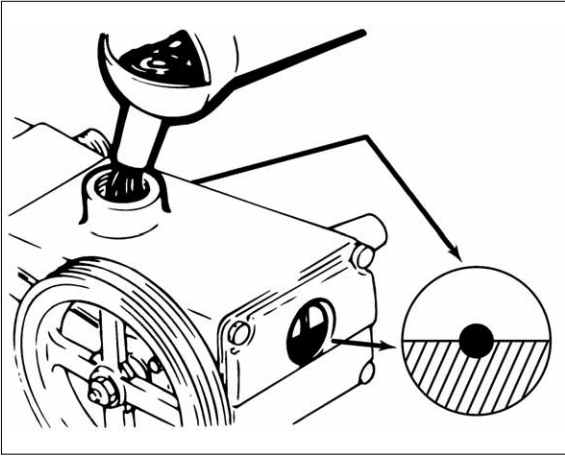
- Since the chemical solution always flows in one direction, the water intake mechanism is a reasonable one.
- The cylinder is durable because it is treated with the MAC process (ceramic).
- The piston packing uses a special rubber and it is resistant to chemicals.

Functions of Operating Parts/ ⚠ Warning Label

- (1) Oil refill port lid:** Before starting operation, open this lid and be sure to refill the gasoline engine oil (SAE 10W-30 or equivalent).
- (2) Warning label**
- Always remove dirt and must so that contents will be clearly legible.
 - If the warning label is damaged, replace is with a new one.
 - If the part with a warning label is replaced, be sure to attach the label to the same position on the new label.
- (3) Pushrod oil port:** Before starting, refill about 3 to 5 drops of oil (SAE 10W-30 or equivalent).
- (4) Regulator knob:** Dial for pressure adjustment.
- Turning clockwise increases the pressure.
 - Turning counterclockwise decreases the pressure.
- (5) Discharge ball valve:** Used to connect the spraying hose. If the lever on the valve is turned by 90 degrees, the valve is "opened".
- (6) Plug:** Remove this plug to use to supply water.
- (7) Drain plug:** Loosen this plug to drain water. Water in the pump can be removed.
- (8) Label:** Indicates the serial number.

3. How to Handle and Operate

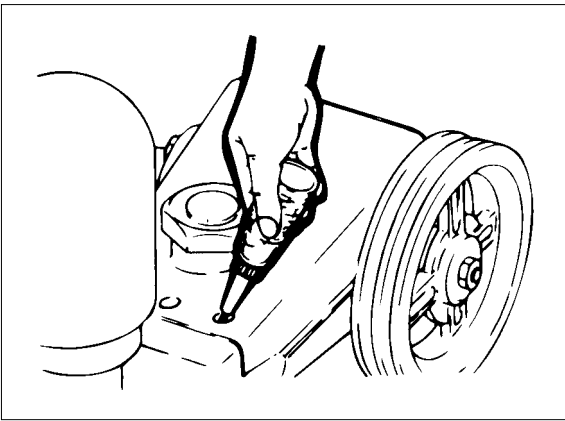
Preparation and Check – Spraying



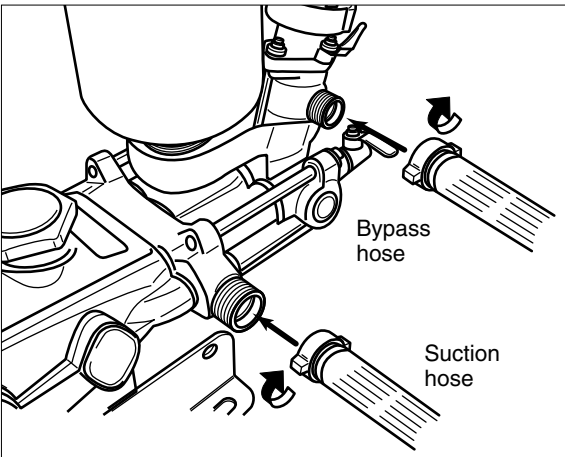
CAUTION

This power sprayer does not contain oil. Before use, be sure to supply oil.

- Fill with the oil (SAE 10W-30 or equivalent) to the red circle on the center of the pump rear oil gauge or to the red circle on the center of the pump side oil gauge.

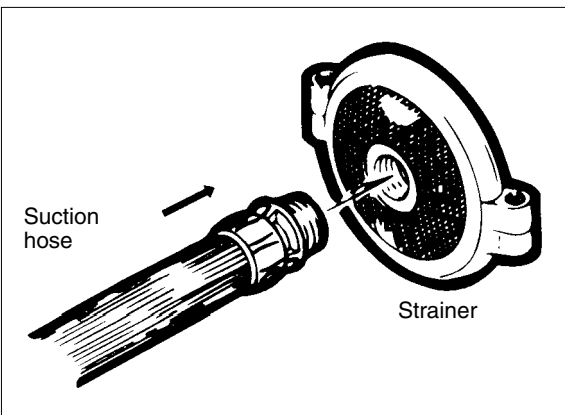


- Refill about 3 to 5 drops of oil (SAE 10W-30 or equivalent) to three holes (oil refill port) on the front of the crankcase.



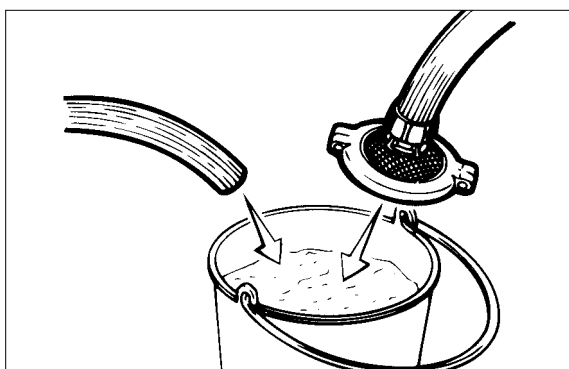
! CAUTION

Before attaching the suction hose and bypass hose, check the packing. Particularly for the suction hose, vibration and insufficient water intake on this machine may be caused, resulting in the reduced pump life.



- Attach the strainer as a standard accessory. (If a non-standard part is being used, please contact MARUYAMA service dealer.)

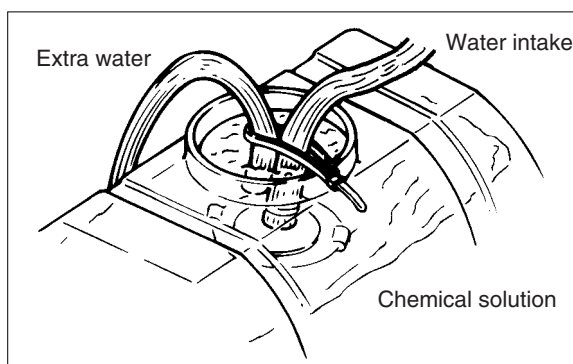
Preparation and Check – Spraying



- When starting, perform test run with fresh water to make sure that the power sprayer is not faulty.

! CAUTION

If the power sprayer is faulty, stop it immediately. See Troubleshooting and Actions for Power Sprayer on Pages 18 and 19.

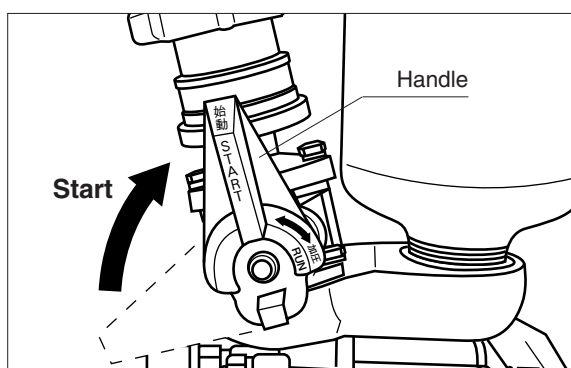


- When putting the hose in the chemical tank, set the water intake pump head within 3 meters.

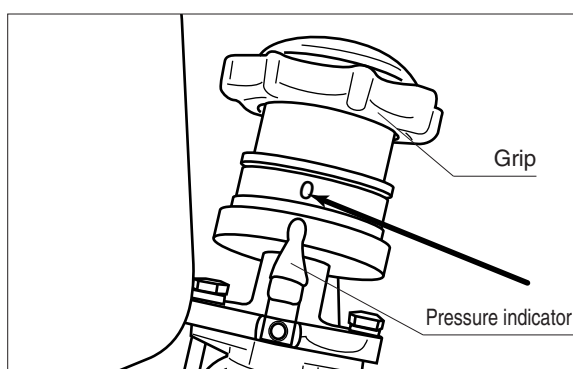
! CAUTION

Moving of the water intake hose and extra water hose is dangerous, so fasten them with the attached band securely.

- Make sure that the strainer is securely in the water source.



- As shown in the figure, move the pressure control valve handle up to the "Start" position.



- Align the "0" scale on the grip with the pressure indicator position.

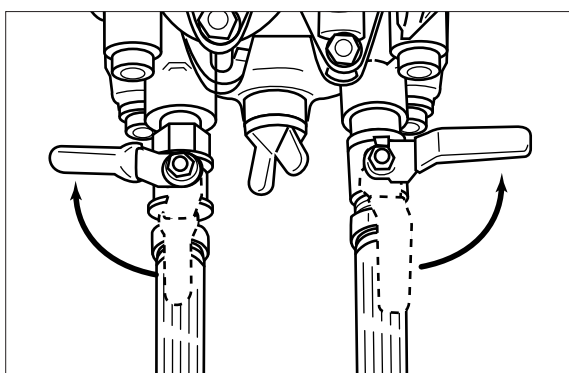
! CAUTION

Note that starting in the pressurized state may damage the piston packing because water intake cannot be performed and idling occurs.

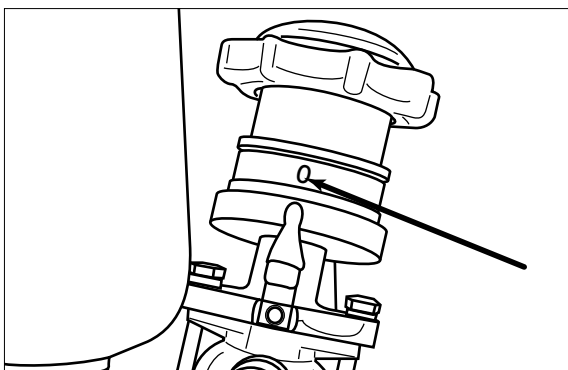
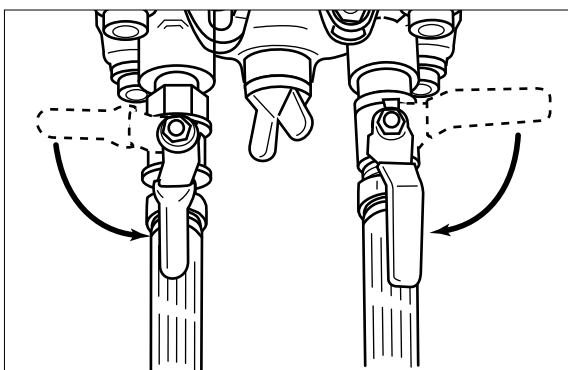
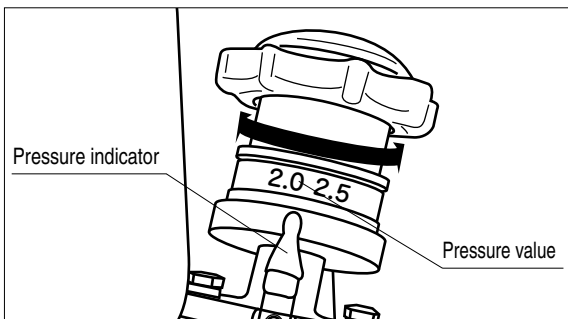
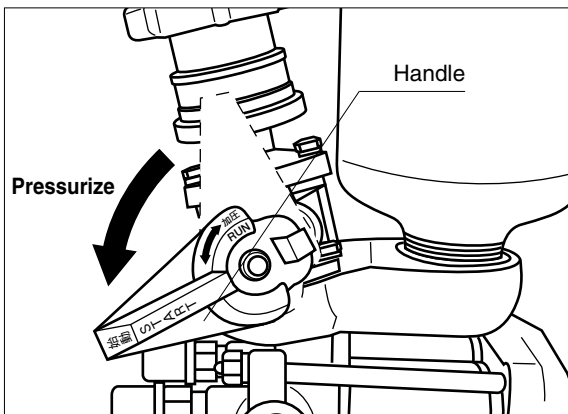
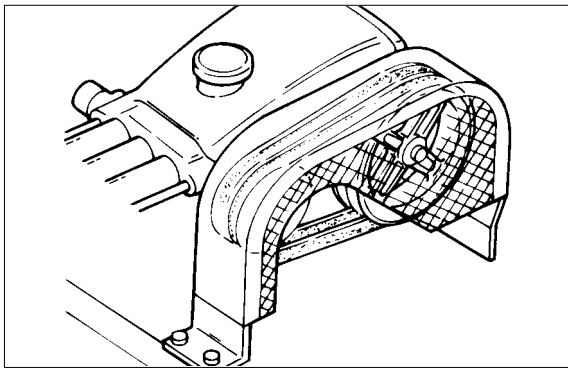
- Close the discharge ball valve.

! CAUTION

If water intake is started without the valve closed, the conditioner may suddenly come out of the valve or nozzle may move fast. Be sure to close the valve.



Preparation and Check – Spraying – Stop



- At the start and during operation, be sure to keep the belt cover attached.

! **WARNING**

Since the rotary part may result in injury to personnel, be sure to attach the belt cover. If the belt cover cannot be attached, be sure to take special considerations e.g. provide a fence around the working machine.

- Rotate the pressure control valve handle to the "Pressurize" position.

! **CAUTION**

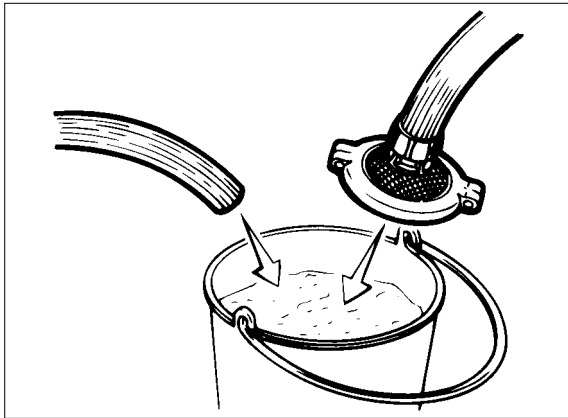
- Rotate the pressure control valve handle fully. If the handle is in a midway and operation is started, the internal seat will be damaged.
- Make sure that water intake is in progress. If water intake is not performed (idling is kept) for at least one minute after the start, the piston packing will be damaged. Again, see Troubleshooting and Actions on Pages 17 and 18 and repeat the operation.

! **CAUTION**

If the pressure is suddenly increased during two-person operation, a strong reaction force is given to the spray apparatus and it is dangerous. Open the valve after a sign is given in advance from spray operator.

Stop

- When stopping the pump, return the grip to "0", and the handle to the "Start" position. A compression spring is used for pressure adjustment. If a positive pressure remains in the hose, the pressurized liquid may come out when removing the pipe.

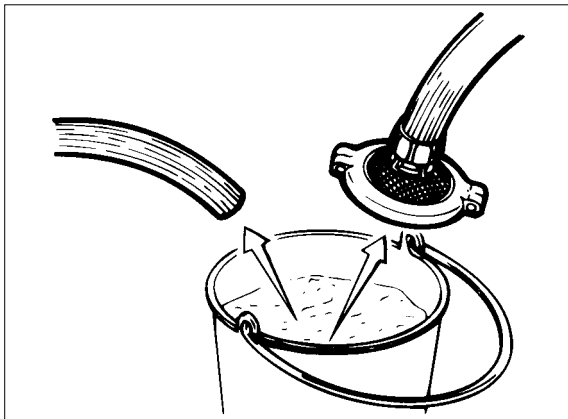


- After the operation, remove any fluid, drain the chemical solution remaining in the tank, then perform cleaning. Future problems with pump start can be prevented by normal regular cleaning.

CAUTION

For disposal of water after washing this machine, special care must be taken so that chemical disasters will not occur same as the conditioner.

For the chemical handling method, read the instruction manual of the chemical carefully.

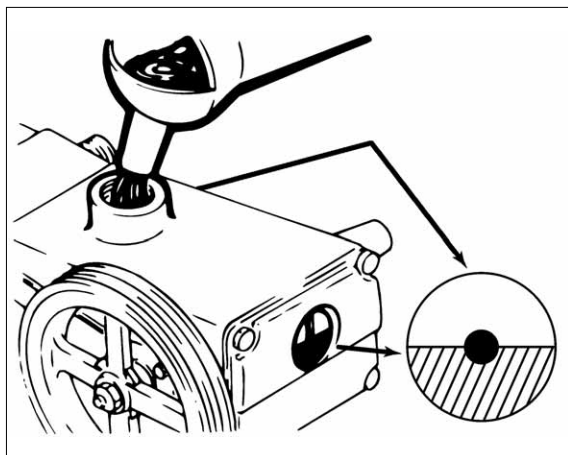
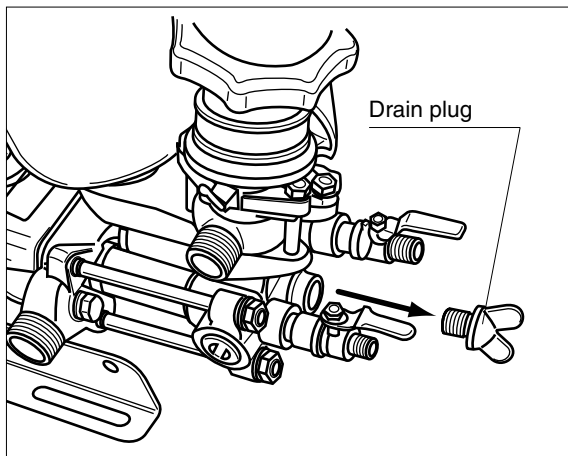
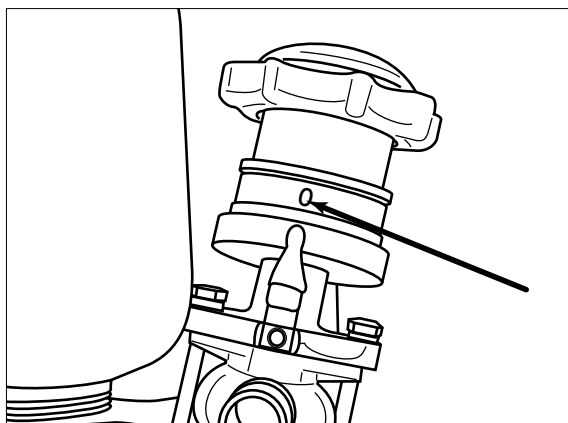
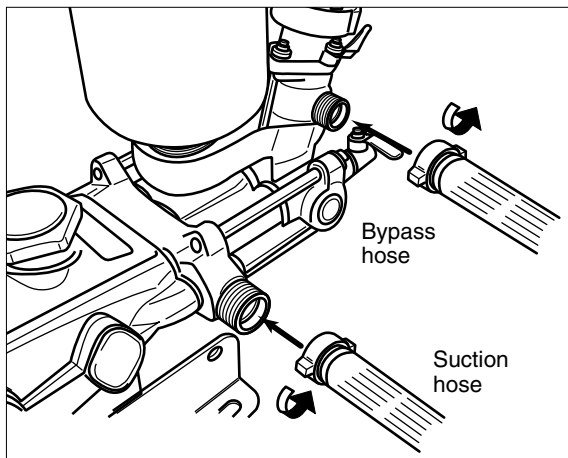


- Remove the nozzle from the hose, lift the water intake strainer from water, and run this machine at a low speed with the valve opened to drain water (Grip: "0", Handle: "Start").

CAUTION

Idling must be less than one minute for machine protection.

Cleaning, Maintenance, and Storage



- If the water intake hose and extra water hose are left connected, the packing may be damaged and leaks may occur. Be sure to remove and store them.

- Store the regulator control spring with no load applied. To maintain the correct pressure indication, return the grip to “0”, and the handle to the “Start” position.

- To prevent damages due to freezing in winter season, remove water completely before storage. Specifically, loosen the drain plug shown in the figure, drain water from the inside of the machine, and perform cleaning, maintenance, and storage.

! CAUTION

Remove oil after oil cools down.

- Before replacing oil, make sure that this machine has stopped.
- For the first time replacement, replace oil after 50 hours have elapsed. Then, replace every 100 hours. Since oil degrades, replace oil at least once a year (SAE 10W-30 or equivalent) even if the 50 or 100 hours mark has not passed.

Troubleshooting and Actions for Power Sprayer

- “Troubleshooting and Actions for Power Sprayer” lists conditions that may occur and the actions to be taken. Should any failure occur, see the list and take the proper action. If you do not know the cause or have any question, please contact your MARUYAMA service dealer.

1. Model
2. Serial No.
3. Failure description (what resulted in what how by doing what)

Detail these matters.

For ©, ask your MARUYAMA service dealer for adjustment or repair.



WARNING

Do not remove the cap on the top of the pressure control valve grip and adjust the screw. A pressure higher than specified may occur, the machine may be damaged, and personal injury may occur. Therefore, never take this action.

State		Cause	Action	
(1) No suction or low suction	Transmission	Belt slip	Adjust/replace	
	To the water intake port	Suction clogged with dust / dirt	Clean	
		Suction hose damaged/bent	Repair/replace	
		Water intake connection packing failure	Repair/replace	
		Connection error	Connect correctly	
		Too long water intake hose	Replace	
		Too large water intake pump head	Decrease depth	
	Water intake and pressurizing part (cylinder)	Water intake valve/discharge valve clogged with dust or stuck	Clean	©
		Water intake valve/discharge valve assembly error	Assemble correctly	©
		Water intake valve/discharge valve damaged or worn out	Correct/replace	©
Discharge valve spring broken		Replace	©	
Piston packing damaged		Replace	©	
O-ring damaged		Replace	©	
Seal packing damaged		Replace	©	
Pressure control	Pressure control valve handle in the pressurizing state	Move the handle to the start position		
	Pressure control stuck in position	Disassemble/clean	©	
(2) Pressure does not increase	Water intake and pressurizing part	Insufficient water intake volume	See (1)	
	Pressure control	Pressure control valve ball/ball seat damaged	Replace	©
		Pressure control valve rod error	Adjust/replace	©
		Pressure control valve spring cylinder error	Repair/replace	©
Pressure control valve spring damaged/degraded		Replace	©	

Troubleshooting and Actions for Power Sprayer

State		Cause	Action
(3) Pressure decreases if the discharge valve is opened	Nozzle	Nozzle worn out	Replace
		Excessive nozzle spray volume	Replace with a proper nozzle
	Power sprayer	Low water intake volume	See (1)
	Hose	Too long spray hose	Set the proper length
Too thin spray hose		Set the proper thickness	
Water leak from hose connection		Repair/replace	
(4) Spraying hose vibration		Air chamber filled with water	Open suction line to allow air in (idling within 1 minute)
		Poor pressure control valve motion	Disassemble/adjust
		Water intake/pressurizing line error (clogging, looseness)	Disassemble/adjust
		Nozzle clogged	Clean
(5) Noise		V pulley fastening bolt loosened	Retighten/replace
		Connection rod bolt, etc. loosened	Retighten
		Bearing broken	Replace
		Pressure control valve assembly error	Adjust
		Air intake	Check
(6) Liquid leak/oil leak		O-ring damaged	Replace
		Seal packing damaged	Replace
		Oil seal damaged	Replace
		Tightening/assembly error	Disassemble/adjust

After-sale Servicing

- If any trouble is found during check at the start or during use, perform the proper maintenance immediately. Please contact your MARUYAMA Service dealer.
- Trouble description
 - Model
 - Serial No.
 - Failure description
 - What resulted in what how by doing what.
 - Describe the details.
- To use this product safely, correct operation and periodic maintenance are required. Please request your MARUYAMA Service dealer for check and maintenance.

Changing the direction of the extra water port

- To change the direction of the bypass port, a new handle is required. Please contact MARUYAMA Service dealer.
- Do not attach any device or valve to the bypass port or hose. Pump damage will occur.

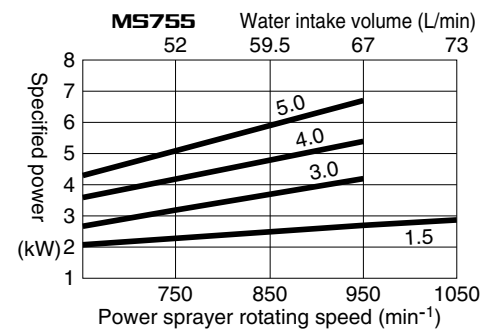
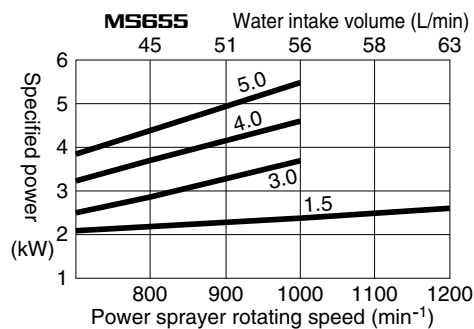
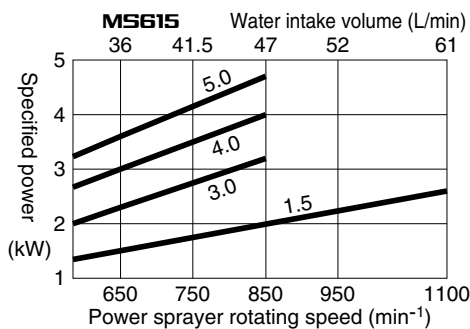
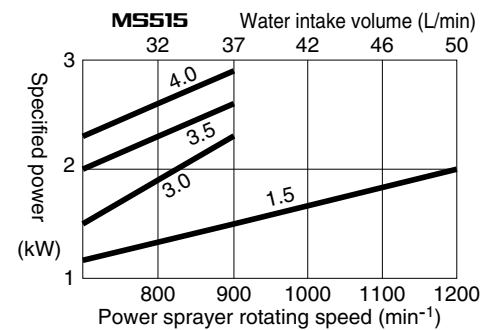
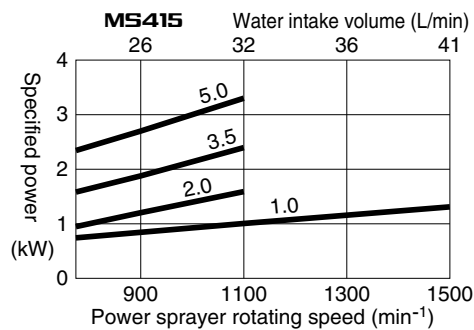
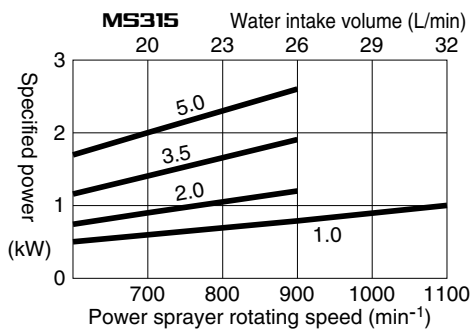
Machine Modification

WARNING

Do not modify the machine because it is dangerous. Machine modification or use not specified by the instruction manual may not be covered by the guarantee.

Table of Specifications

Name		MS315	MS415	MS515	MS615	MS655	MS755	
Basic dimensions (mm): Length x Width x Height		415×242×298	415×242×361	449×271×359	510×312×397	510×312×417	551×312×417	
Mass (dry) (kg)		10.5	11	14.5	19	19	20	
Performance	Rotating speed (min⁻¹)	Maximum	900	1100	900	850	1000	950
		Water supply	1100	1500	1200	1100	1200	1050
	Water intake volume (L/min)	Maximum	26	32	37	47	56	67
		Water supply	32	41	50	61	63	73
	Pressure (MPa)	Maximum	5.0	5.0	4.0	5.0	5.0	5.0
		Water supply	1.0	1.0	1.5	1.5	1.5	1.5
Specified power (kW)	Maximum	2.6	3.3	2.9	4.7	5.5	6.7	
	Water supply	1.0	1.3	2.0	2.6	2.6	2.9	
Spray valve		G1/4 , G3/8			G3/8×2			
Type of lubricant		SAE10W-30 or SAE30 Non-Detergent						
Lubricant volume(L)		0.6			1.15			
V pulley(mm)		152 (A-2)		178 (A-2)	229 (B-2)			
Accessories	Instruction manual	1						
	Water intake hose	φ 19×3m		φ 25×3.6m				
	Water intake strainer	30 mesh						
	Extra water hose	φ 13×3m		φ 19×3.6m				
	Band	350mm						



* The unit in the graph is MPa

Muchas gracias por comprar este producto.

Este manual de instrucciones describe la manera de usar y mantener de manera correcta este producto.

Antes de comenzar, sírvase leer este manual de instrucciones cuidadosamente para su completa comprensión. Utilice este manual para que el producto pueda mantener su rendimiento por mayor tiempo. Después que lea este manual, asegúrese de guardarlo cuidadosamente, en un lugar accesible para revisarlo en cualquier momento que haya asuntos que no comprenda. Nótese que el producto puede ser parcialmente diferente al de los contenidos de este manual debido a que siempre estamos intentando ofrecerle mejores productos. Si usted ha notado cualquier problema, contacte al concesionario de servicio MARUYAMA.


- **Guarde el manual de instrucciones a mano.**
- **Si usted pierde este manual, obtenga un reemplazo del concesionario de servicio MARUYAMA.**
- **No modifique este producto, hacerlo podría crear condiciones inseguras que podrían ser dañinas o peligrosas.**


Finalidad de uso

Este producto está diseñado para la aplicación de químicos agrícolas y de control de plagas apropiadamente mezclados. Nótese que no tenemos responsabilidad por cualquier accidente que se produzca por el uso fuera del rango de propósitos de uso, ni por accidentes resultantes de la modificación o el desarmado sin permiso.

Precauciones

Este manual denota las precauciones de manejo críticas de la manera que se describe a continuación.

 **PELIGRO** Si no se respeta esta señal se producirá la muerte o lesiones personales serias.

 **ADVERTENCIA** Si no se respeta esta señal se puede producir la muerte o lesiones personales serias.

 **PRECAUCIÓN** Si no se respeta esta señal se pueden producir lesiones.

PRECAUCIÓN Si no se respeta esta señal se puede producir daños a la máquina.



Cuando permita que otra persona opere este producto

Dígale la manera de operar este producto por adelantado y explique cada una de las etiquetas de advertencia marcadas con [!] (marca de precaución de seguridad) adheridas a la máquina. Para evitar los malos entendidos, haga que lea el manual de instrucciones y las precauciones sobre el trabajo seguro de manera cuidadosa, y que aprenda el método de manejo mientras verifica la máquina antes de comenzar.

En particular, explique las prohibiciones en detalle.

¡Como si lo estuviera usando usted!



1.  Para la operación segura.....	23
Precauciones antes de comenzar	23
Precauciones sobre el uso (químicos)	25
(Preparación para la operación)	26
(Durante la operación)	27
Precauciones de ajuste	28
Precauciones de instalación/Precauciones después del uso	30
2. Nombres de las partes y partes de operación	31
Nombres de las partes	31
Verificación de los accesorios estándar, las funciones de los accesorios estándar, las partes de operación y las etiquetas de  advertencia. Operating	32
3. Manera de manejar y operar	33
Preparación y verificación - Riego por atomización	33
Preparación y verificación - Riego por atomización - Parada	35
4. Limpieza, mantenimiento y almacenamiento.....	36
Limpieza, mantenimiento y almacenamiento	37
Localización de averías y acciones para el bomba de piston	38
5. Servicio a la máquina	40
Servicio después de la venta	40
Cambio de dirección del orificio de derivación	40
Cambio de la dirección del orificio de agua extra	40
6. Especificaciones.....	41
Tabla de especificaciones	41

Antes de comenzar, asegúrese de verificar y leer las precauciones en las etiquetas adheridas a la máquina para aprender el método de manejo seguro y correcto.

Precauciones de seguridad

Aquí se describen algunos ejemplos. No olvide que la operación siempre va acompañada del peligro para evitar que se produzcan lesiones o daños potenciales.

A las siguientes personas se les prohíbe efectuar riego por atomizador.

- Gente que no pueda efectuar la operación normal debido a fatiga, enfermedad o el efecto de las drogas, etc.
- Gente bajo la influencia del alcohol.
- Mujeres embarazadas
- Personas lesionadas y aquellos que puedan resultar fácilmente afectados por los agroquímicos
- Jóvenes (menores de 15 años de edad)
- Personas no familiarizadas con el uso apropiado de este producto.

Vista ropa adecuada para la operación.

El operador debe vestir ropa de acuerdo con su cuerpo.

Tapa

Gafas de protección

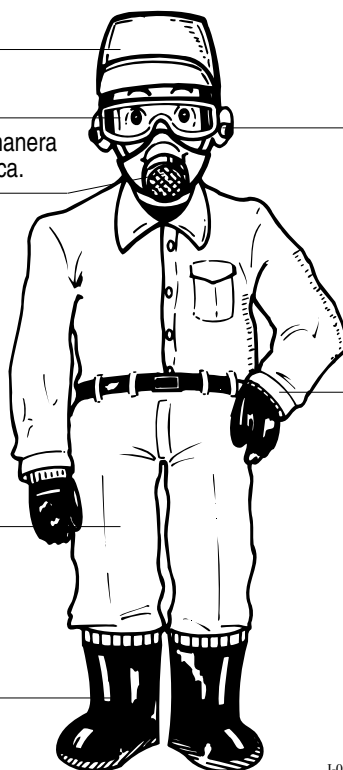
Respirador o máscara de la manera indicada por la etiqueta química.

Tapones de oídos (para operación ruidosa)

Ropa de protección (puño de manga inferior apretada)

Guantes de protección

Botas de trabajo



I-003

⚠️ ADVERTENCIA

Verificar y mantener todos los equipos de seguridad de manera que funcionen de la manera que se pretende.

En caso de**Manejo de agroquímicos****⚠️ ADVERTENCIA**

Consulte la etiqueta del fabricante químico y la MSDS para todos los equipos de seguridad requeridos, las instrucciones de aplicación, las instrucciones de primeros auxilios y otras precauciones y advertencias de seguridad. Siga todas las instrucciones en la etiqueta del fabricante químico y la MSDS. Si tiene preguntas, contacte al fabricante químico por recomendaciones antes de usar químicos.

Verifique el método de la llamada de emergencia.

¡Si usted no conoce las acciones de primeros auxilios!



I-005

Precauciones sobre el uso (Acondicionador)

Manejo de químicos

⚠️ ADVERTENCIA

- (1) Lea cuidadosamente el manual de los químicos. Lea las etiquetas para los químicos y el fertilizante a ser usados cuidadosamente, para familiarizarse con la manera de uso y las precauciones.
- (2) Use ropa que evite la exposición al acondicionador.
- (3) Prepare el volumen necesario de acondicionador.
- (4) Prepare y ponga el acondicionador en el lugar para efectuar el riego por atomizador. Verifique la dirección del viento y riegue por atomización en lugares donde no se produzca contaminación ambiental.
- (5) No lo prepare en la máquina ni en el tanque antes del transporte. El acondicionador salpicado puede causar contaminación ambiental.
- (6) No almacene ni transporte el acondicionador junto con bebidas o alimentos. Cuando lo transporte, asegúrese que no se rompa el contenedor.
- (7) Haga un plan de riego por atomización. Prepare el acondicionador para no dejar ningún resto.
- (8) Ponga el acondicionador restante en un contenedor o bolsa completamente cerrado que permita que cualquier persona identifique los contenidos. Aíslelo de otros materiales y almacene el contenedor o la bolsa, de manera que cualquier persona no autorizada no pueda usarlo. Nunca almacene el acondicionador en un contenedor para bebidas o alimentos.
- (9) Deseche las bolsas, latas y botellas vacías de acuerdo con el manual de instrucciones del acondicionador o la instrucción del gobierno local.

⚠️ PELIGRO

- No sostenga la manguera de riego por atomización. Usted podría estar expuesto a los agroquímicos debido al aflojamiento de la boquilla.

⚠️ ADVERTENCIA

- No use ningún agroquímico altamente combustible, ya que se podría producir la combustión.

⚠️ PRECAUCIÓN

- Si el volumen de riego por atomizador por área unitaria o el tipo de acondicionador es incorrecto, se pueden producir derramamientos peligrosos.
- No deje el acondicionador en el tanque del acondicionador por tiempo prolongado, ya que esto podría afectar la máquina.

Efectúe la operación de manera oportuna.

- (1) Verifique la dirección del viento y la situación ambiente en el campo. Si el viento es fuerte, el acondicionador podría volar a áreas indeseadas. Por lo tanto, evite la operación bajo estas condiciones.
- (2) Evite las horas del día de alta temperatura.
- (3) No efectúe la operación si está cansado o enfermo.
- (4) No ingrese al campo inmediatamente después del riego por atomizador.

¡Asegúrese de leer el manual!



Prohibido



I-008

Use ropa apropiada.



Prohibido



I-009

No ponga los químicos junto con los alimentos.



Prohibido



I-010

Separe y almacene los químicos de manera ordenada.

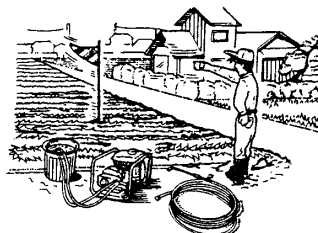


Prohibido



I-011

Verifique la dirección del viento y el área circundante.

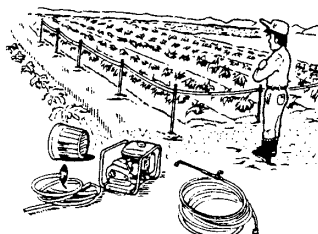


Prohibido



I-020

No ingrese inmediatamente después del riego por atomización.



Prohibido

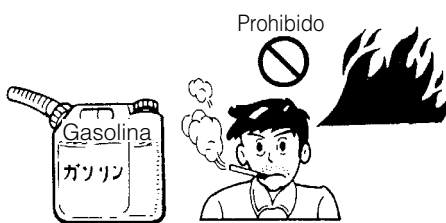


I-021

Puntos en la preparación para la operación (Inspección, mantenimiento y transporte)

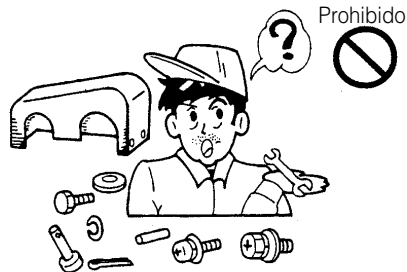
- (1) Cuando transporte el regador por atomización en un camión, tome las acciones apropiadas de manera que la máquina no se caiga.
- (2) Cuando carga/descarga materiales pesados evite las malas posiciones, ni efectúe la operación con sólo una persona.
- (3) Rellene el combustible después que se enfríe el motor. No fume mientras carga combustible. Evite las descargas eléctricas durante la carga de combustible. Apriete la tapa en el tanque de combustible manualmente. Limpie completamente el combustible derramado.
- (4) Verifique por pernos/tuercas sueltas en cada parte y que se han salido o los pasadores de ajuste dañados.
- (5) Después que se remueven las cubiertas de las partes rotatorias, etc. para verificación, mantenimiento, etc., repóngalas correctamente.
- (6) No arranque el motor cerca de materiales combustibles ni en lugares mal ventilados o angostos. No lo opere en interiores.
- (7) Para el cableado eléctrico, se prohíbe estrictamente el contacto con aceites, agua y fuego.

Se prohíbe el fuego



I-012

¡Instale precisamente la cubierta de seguridad!



I-013

¡Tenga cuidado con la ventilación y los combustibles!



I-014

Precauciones sobre el uso (Durante la operación)

Puntos sobre la operación

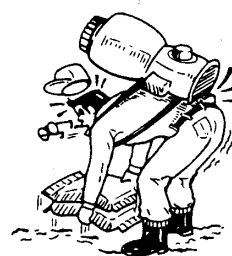
- (1) Evite el cansancio tomando los descansos apropiados.
- (2) Siempre tenga en mente que la máquina en operación que contiene el acondicionador es muy pesada.
- (3) Ponga atención en la ropa, las condiciones del campo, y la dirección del viento para evitar la exposición a los agroquímicos y la contaminación ambiental. La dirección en que fluyen los agroquímicos puede ser peligrosa.
- (4) Para la operación cooperativa, defina y verifique las señales apropiadas entre los miembros.
- (5) Rellene de combustible sin permitir que se salpique después que el motor esté detenido y se haya enfriado.
- (6) Durante la operación, no permita que personas no autorizadas ingresen al área donde se está efectuando el riego por atomización.
- (7) Dependiendo del agente a ser aplicado para riego por atomización, la corriente estática puede ser evitada usando una cadena de bolas (opcional).
- (8) Verifique el empaque y apriete la tapa en el tanque de químicos de manera que el contenido no salga.
- (9) No dirija la boquilla de riego por atomizador hacia ninguna persona.
- (10) Antes de cualquier descanso, enjuáguese la boca y lave sus manos y cara con jabón.
- (11) Si usted se siente enfermo durante el riego por atomización se requiere inmediatamente el tratamiento de un médico. Obtenga atención médica inmediata.

Descanse apropiadamente.



I-015

¡Trabajos no razonables prohibidos!



Prohibido



I-016

¡Ponga atención en el campo y el ambiente!



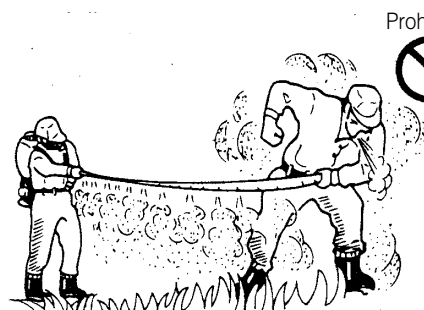
Prohibido

Aumento del viento



I-017

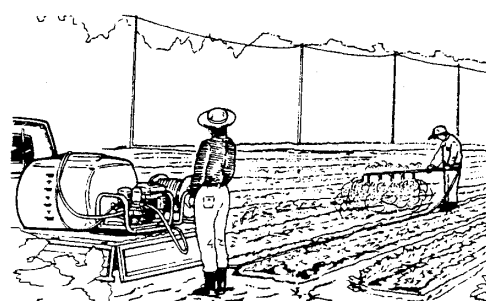
¡Determine letreros para trabajo en cooperación!



Prohibido



I-018



I-024

Puntos para manejar esta máquina

Aplicaciones

- Riego por atomización para las cosechas de campos de arroz, de verduras generales, frutales, moras y árboles.
- Riego por atomización de soluciones pesticidas o insecticidas para ranchos ganaderos, gallineros y sanitización urbana.
- Riego por atomización de herbicidas.
- Riego por atomización de agua para las cosechas de campos de verduras generales o arrozales.
- Lavado de ranchos ganaderos, gallineros, cosechas agrícolas e instrumentos agrícolas.
- Lavado de las superficies de la pared, etc. de las estructuras del edificio y protección de las líneas de alimentador eléctrico de protección de daños por sal.



PRECAUCIÓN

No use ácidos fuertes, alcalinos fuertes, solventes químicos ni agua caliente. Se pueden producir daños al regador por atomización o su bomba de atomización.



ADVERTENCIA

- Cuando instale este producto con un motor, contacte al concesionario de servicio MARUYAMA.
- Cuando opere este producto usando una polea en V o correa en V, asegúrese de montar una cubierta sobre la parte rotatoria, de manera que no pueda ser tocada fácilmente durante la verificación. (Guarde la cubierta siendo instalada para operación y verificación. Si la cubierta no puede ser instalada, se requiere de consideraciones especiales; a decir, asegúrese de proveer una reja alrededor de la máquina en operación.)
- Asegúrese de "parar" esta máquina antes de la verificación o el ajuste.



PRECAUCIÓN

- Seleccione las velocidades de poleas y de motor dentro de los rangos de velocidad de rotación, presión y volumen de agua especificados. Si estos rangos son sobrepasados durante su uso, se pueden producir daños al bomba de piston o accidentes.
- La potencia nominal del motor debe ser la especificada o superior para el regador por atomización. De otra manera, su rendimiento será inferior a lo estipulado.
- Asegúrese de instalarlo de manera que el medidor de aceite en el bomba de piston pueda ser verificado fácilmente.

PRECAUCIÓN

- Use pernos de los tamaños y resistencia adecuados para asegurar esta máquina. Instale la máquina seguramente. Si la instalación del bomba de piston o el motor está inestable, se puede producir vibración y el bomba de piston puede ser afectado adversamente.
- Seleccione la polea en V o la correa en V de tamaño apropiado en cumplimiento con la alimentación especificada.
- Use un tamaño de orificio del eje de la correa en V o ranura de la chaveta que coincidan con el eje. No use un orificio de polea en V ni ranura de chaveta defectuosos, ya que se podrían causar accidentes por la vibración.
- El extremo del eje se debe retraer levemente de la superficie de la polea. Apriete el perno precisamente con la arandela. Use el tornillo de ajuste de la polea en V de la manera necesaria.
- Instale la polea en V del motor y la polea en V del bomba de piston en línea recta. Si la correa en V no se monta recta cuando se mira hacia abajo, se aplica una fuerza no razonable y la correa en V puede resultar dañada o salirse.
- La correa en V no debe estar demasiado apretada ni floja. Si está demasiado apretada, los cojinetes del motor o de la bomba podrían resultar dañados. Si está muy floja, se pueden producir daños a la correa o deslizamiento. Si está muy suelta, se pueden producir daños a la correa o deslizamiento.
- Cuando usen dos o más correas en V, use el mismo tipo y tamaño.
- Cuando reemplace las correas en V, reemplácelas todas al mismo tiempo.

Tubería

PELIGRO

- Use el mismo tipo y tamaño de tubo para la manguera y la boquilla as ser conectadas. Cuando efectúe la conexión, asegúrese de verificar que la empaquetadura esté conectada adecuadamente. Si el tamaño o el tipo del tubo no son correctos, la empaquetadura se perderá o dañará, o las roscas quedarán flojas. y usted puede quedar expuesto a los químicos. Usted también podría resultar expuesto a los químicos si la empaquetadura se desprende o se daña por el apriete excesivo del accesorio. Apriete adecuadamente el tornillo.
- Antes de preparar el acondicionador, asegúrese de verificar si hay fugas con agua dulce.

(Toma de agua)

- El diámetro del tubo de succión estándar es el diámetro del orificio de succión de la bomba. Si la manguera de succión tiene codos o válvulas, etc., use un diámetro de tubo de succión de un grado mayor.

PRECAUCIÓN

Si el diámetro del tubo de succión es menor que el requerido, se puede producir la degradación del rendimiento o fallas.

La altura hidrostática de la bomba de succión debe ser de 3 metros o menos.

(Riego por atomización)

- Seleccione la manguera de riego por atomización que soporte la presión de bomba nominal o más.

(Manguera)

- Ponga la manguera de succión y la manguera de derivación en el tanque precisamente y asegurándolas con abrazadera, etc.
- Cuando conecte la manguera, asegúrese de verificar los sellos y las roscas por su apriete.

ADVERTENCIA

Conecte la manguera de derivación solamente al orificio de derivación. Si el orificio de derivación está completamente cerrado mediante la conexión de una válvula, la máquina puede resultar dañada y se podrían causar lesiones personales. Por lo tanto, nunca conecte una válvula al orificio de derivación o la manguera.

(Boquilla)

- Seleccione una boquilla que proporcione un flujo de aproximadamente un 30% del volumen de derivación.

PELIGRO

- Si no se usa una boquilla apropiada (para el rendimiento de la bomba), si los accesorios estándar son removidos, o si las boquillas son manejadas de manera no razonable, el rendimiento original no puede ser logrado y se podrían producir fallas, o dependiendo del caso, lesiones o daños personales.

PRECAUCIÓN

- No apunte la boquilla hacia las personas, ya que se podría producir exposición a los químicos.

Puntos sobre la operación del motor

! PELIGRO

- El combustible es inflamable. No localice fuego cerca de la localización de operación.
- Asegúrese de detener y enfriar el motor antes del relleno de combustible. Limpie completamente el combustible salpicado.
- Cuando rellene con combustible o efectúe el mantenimiento, no fume ni ponga fuentes de fuego cerca de la máquina.
- Después que esta máquina es rellena con combustible, separe el tanque de relleno de combustible al menos a 3 metros, luego arranque el motor.
- No rellene de combustible por sobre el volumen estándar, ni aplique vibraciones fuertes ni incline la máquina.

! ADVERTENCIA

- El gas de escape desde el motor es dañino. No opere el motor en interiores ya que se podría producir envenenamiento por monóxido de carbono. Tenga cuidado de no inhalar el gas de escape del motor.

! PRECAUCIÓN

- El motor está caliente durante la operación e inmediatamente después que se detiene. Se podrían producir quemaduras si se toca el silenciador o las aletas del cilindro.
- Se entrega alto voltaje a la bujía mientras el motor está funcionando. Jamás toque la bujía ni el cable de la bujía ya que podría ser muy peligroso.

PRECAUCIÓN

Siga estrictamente las instrucciones anteriores y lea el manual de instrucciones del motor cuidadosamente. Refiérase a los requerimientos adicionales descritos por el fabricante de su motor.

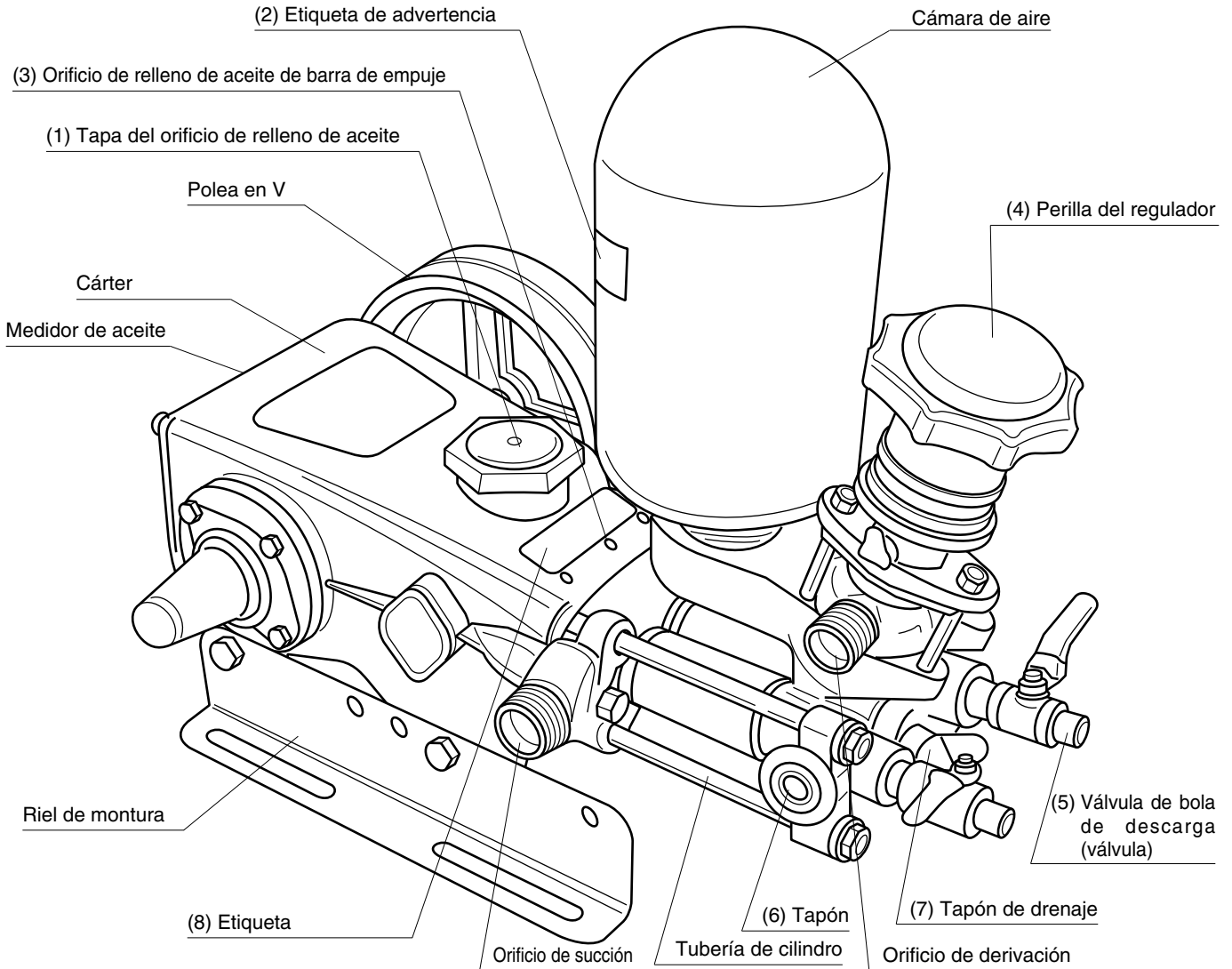
Precauciones después del uso

- (1) Riegue por atomización los químicos o fertilizantes apropiados, de manera que no queden en el tanque de acondicionador.
- (2) Extraiga el acondicionador de la máquina completamente. No hacerlo podría causar la generación de corrosión y que se produzcan fallas.
- (3) Extraiga el combustible antes de un almacenamiento prolongado.
- (4) Lávese la boca y su cuerpo inmediatamente después del riego por atomización de químicos.
- (5) completamente los protectores usados para la operación y lave la ropa.
- (6) Si cualquier parte está dañada, repárela antes del almacenamiento. En este caso, use las partes genuinas diseñadas por MARUYAMA para los repuestos y las partes consumibles.
- (7) Almacene la máquina en un lugar seco evitando la adhesión del polvo.

¡Límpielo después del trabajo!



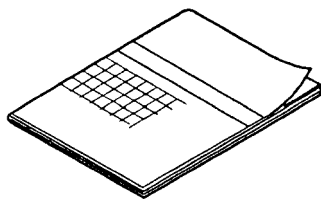
Nombres de las partes



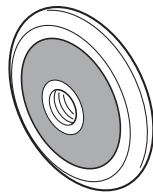
Verificación de los accesorios estándar

Después que se abre el empaque, asegúrese que todos los accesorios sean suministrados primero. Si falta cualquier accesorio o está roto, contacte inmediatamente al concesionario de servicio MARUYAMA. Los tamaños y cantidades de accesorios se listan en la tabla de especificaciones en la página 41.

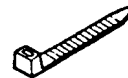
accesorios estándar



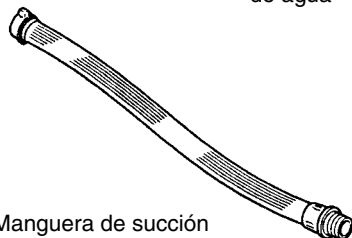
Manual de instrucciones



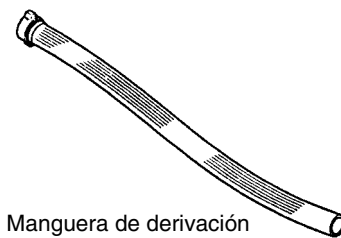
Colador de toma de agua



Cinta



Manguera de succión



Manguera de derivación

Características del producto

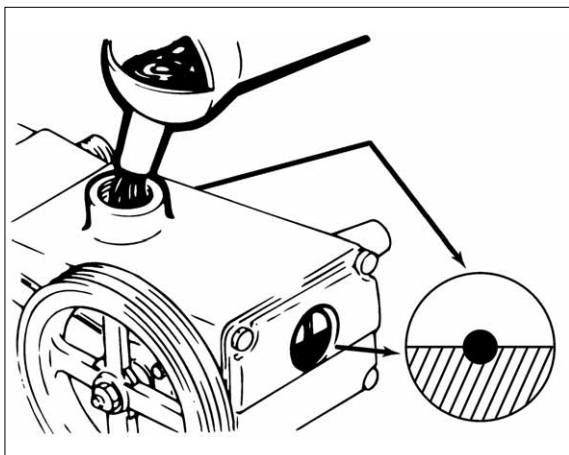
- Como la solución química siempre fluye en una dirección, el mecanismo de toma de agua es razonable.
- El cilindro es durable debido a que ha sido sometido a tratamiento MAC (cerámico).
- La empaquetadura del pistón usa caucho especial y es resistente a los químicos.

¡Funciones de las partes de operación! Etiqueta de advertencia

- (1) Tapa del orificio de relleno de aceite** Antes de comenzar la operación, abra esta tapa y asegúrese de rellenarla con aceite de motor a gasolina (SAE 10W-30 o equivalente).
- (2) Etiqueta de advertencia**
- Siempre remueva la suciedad y el rocío de manera que los contenidos sean claramente visibles.
 - Si la etiqueta de advertencia está dañada, reemplácela por una nueva.
 - Si una parte con etiqueta de advertencia es reemplazada, asegúrese de adherir la etiqueta en la misma posición en la nueva etiqueta.
- (3) Orificio de relleno de aceite de barra de empuje** Orificio de relleno de aceite: Antes de comenzar, rellene aproximadamente 3 a 5 gotas de aceite de motor a gasolina (SAE 10W-30 o equivalente).
- (4) Perilla del regulador** Dial para el ajuste de presión.
- Girando en el sentido de los punteros del reloj se aumenta la presión.
 - Girando en el sentido contrario de los punteros del reloj se disminuye la presión.
- (5) Válvula de bola de descarga** Se usa para conectar la manguera de riego por atomización. Si la palanca en la válvula está girada en 90°, la válvula está "abierta".
- (6) Tapón** Remueva este tapón para usar el agua de suministro.
- (7) Tapón de drenaje:** Suelte este tapón para drenar agua. El agua en la bomba puede ser extraída.
- (8) Etiqueta** Indica el número de serie.

3. Manera de manejar y operar

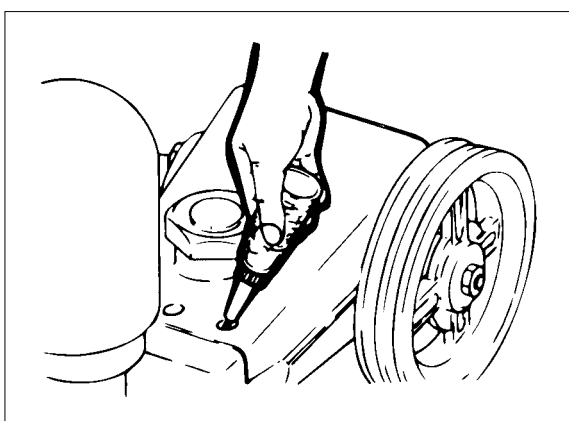
Preparación y verificación - Riego por atomización



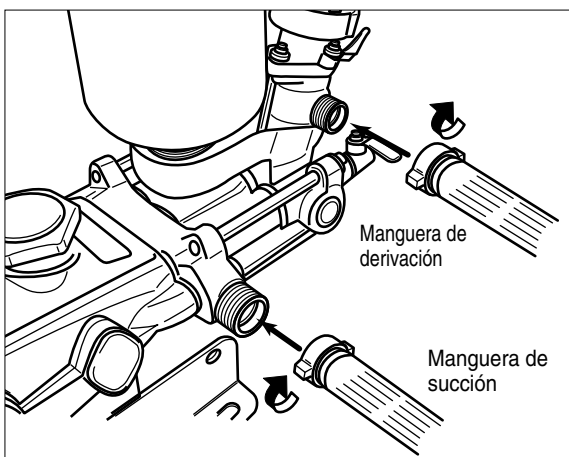
PRECAUCIÓN

Este bomba de piston no contiene aceite. Antes de usarlo, suminístrele aceite.

- Rellene con aceite (SAE 10W-30 o equivalente) al círculo rojo en el centro del medidor de aceite posterior de la bomba o al círculo rojo en el centro del medidor de aceite lateral de la bomba.

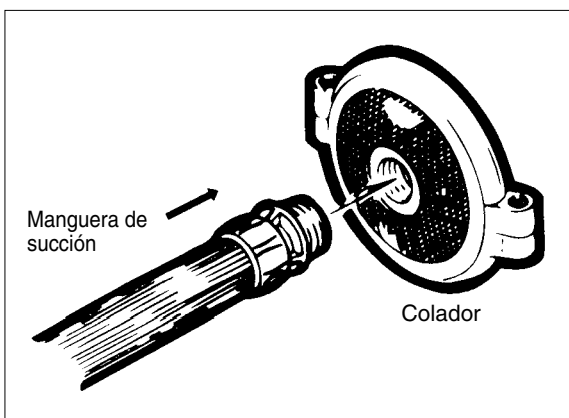


- Rellene aproximadamente 3 a 5 gotas de aceite de motor a gasolina (SAE 10W-30 o equivalente) a los tres orificios (orificio de relleno de aceite) en la parte frontal del cárter.



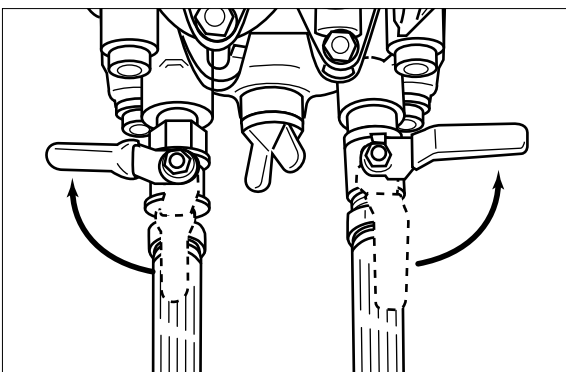
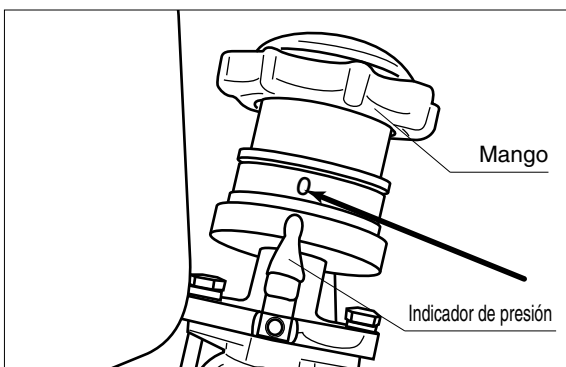
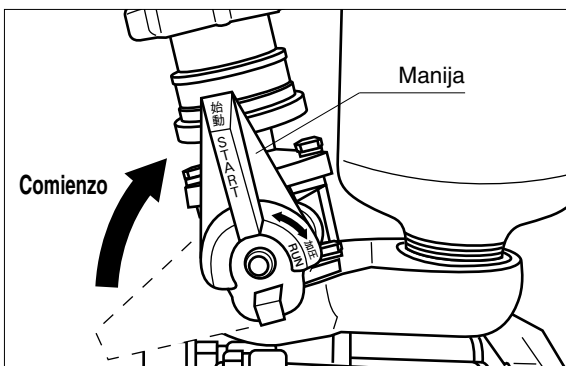
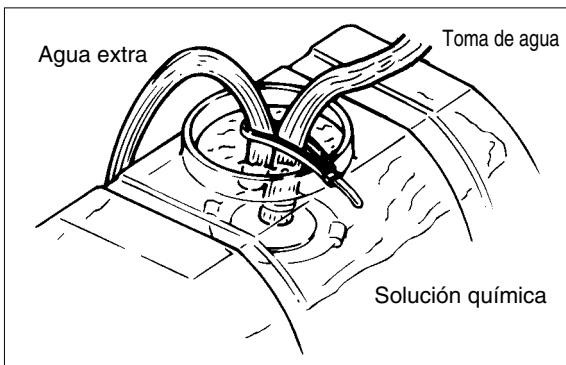
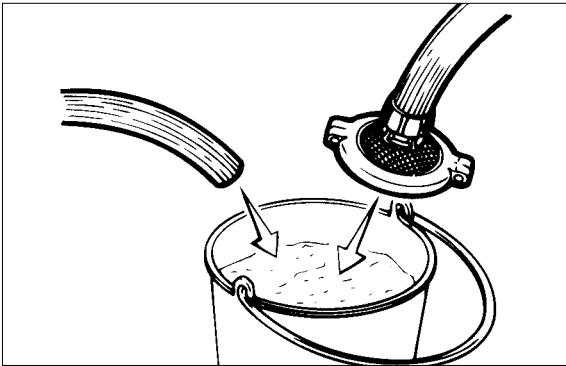
! PRECAUCIÓN

Antes de montar la manguera de succión y la manguera de derivación, verifique la empaquetadura. En particular para la manguera de succión se puede causar vibración y toma de agua insuficiente en esta máquina, resultando en una vida de la bomba reducida.



- Instale el colador como accesorio estándar. (Si se usa una parte no estándar, contacte al concesionario de servicio MARUYAMA.)

Preparación y verificación - Riego por atomización



- Cuando arranca, efectúe una operación de prueba con agua dulce para asegurar que el bomba de piston no esté fallado.

! PRECAUCIÓN

Si el bomba de piston está fallado, deténgalo inmediatamente. Véase la localización de averías y acciones para el bomba de piston en las páginas 18 y 19.

- Cuando se pone la manguera en el tanque de químicos, ajuste la altura hidrostática de la bomba de toma de agua dentro de 3 metros.

! PRECAUCIÓN

Mover la manguera de toma de agua y la manguera de agua extra es peligroso; por lo tanto, asegúrelas con la banda suministrada precisamente.

- Asegúrese que el colador esté bien instalado en la fuente de agua.

- Como se muestra en la figura, mueva la manija de la válvula de control de presión a la posición "Comienzo".

- Alinee la escala "0" en el mango con la posición del indicador de presión.

! PRECAUCIÓN

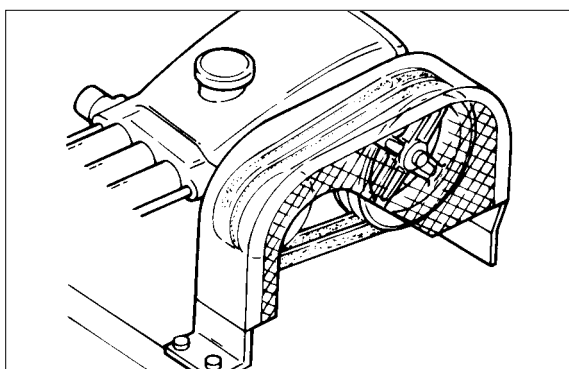
Nótese que arrancar en el estado presurizado puede dañar la empaquetadura del pistón, ya que la toma de agua no se puede efectuar y se produce marcha en ralentí.

- Cierre la válvula de bola de descarga.

! PRECAUCIÓN

Si se comienza la toma de agua sin la válvula cerrada, el acondicionador puede salirse repentinamente de la válvula o la boquilla puede moverse rápidamente. Asegúrese de cerrar la válvula.

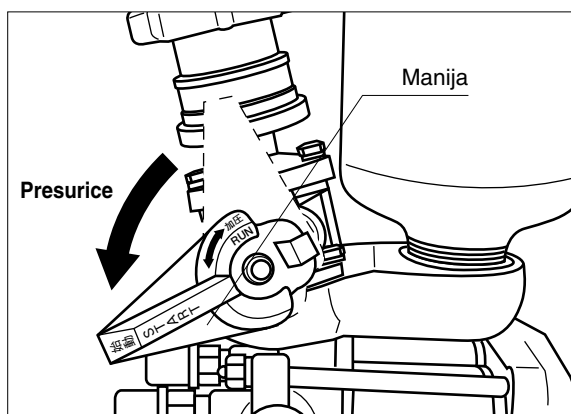
Preparación y verificación - Riego por atomización - Parada



- Al comienzo y durante la operación, asegúrese de mantener la cubierta de la correa montada.

! **ADVERTENCIA**

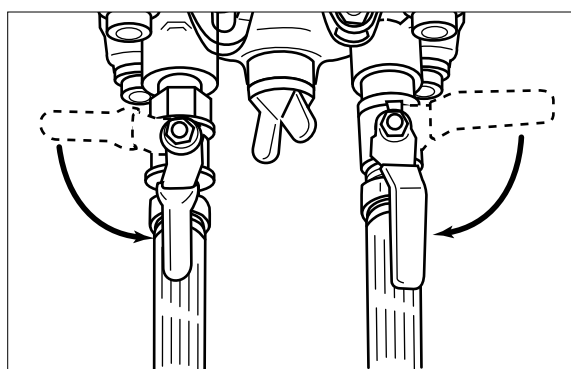
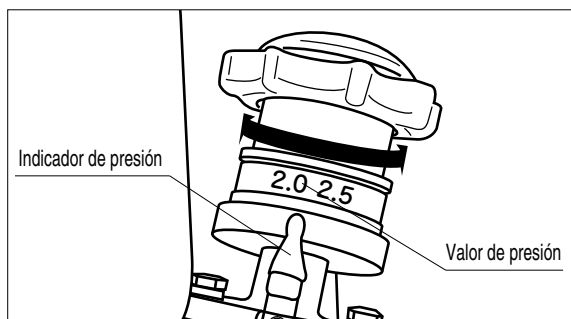
Como la parte rotatoria puede causar lesiones al personal, asegúrese de montar la cubierta de la correa. Si no se puede montar una cubierta de correa, asegúrese de tomar cuidados especiales; a decir, proveer una protección alrededor de la máquina en operación.



- Rote la manija de la válvula de control de presión a la posición "Presurizar".

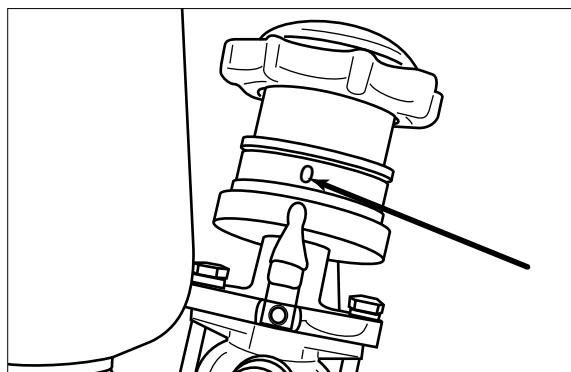
! **PRECAUCIÓN**

- Rote la manija de la válvula de control de presión hasta el extremo. Si la manija está a medio camino y se comienza la operación, el asiento interno resultará dañado.
- Asegúrese que la toma de agua esté en progreso. Si la toma de agua no se efectúa (se mantiene en ralentí) por al menos un minuto después del arranque, la empaquetadura del pistón resultará dañada. Nuevamente, véase la localización de averías y acciones en las páginas 38 y 39, y repita la operación.



! **PRECAUCIÓN**

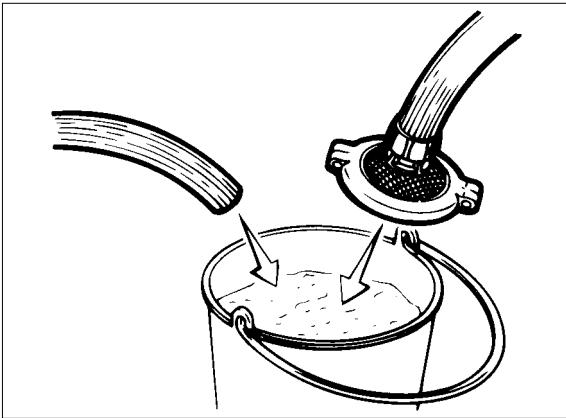
Si se aumenta repentinamente la presión durante la operación por dos personas, una fuerte fuerza de reacción se causa en el aparato de atomización, lo que es peligroso. Abra la válvula después de recibir la señal del operador del regador por atomización.



Parada

- Cuando se detiene la bomba, retorne el mango a "0" y la manija a la posición "Arranque". Un resorte de compresión se usa para el ajuste de presión. Si una presión positiva permanece en la manguera, el líquido presurizado podría salir cuando se extrae el tubo.

4. Limpieza, mantenimiento y almacenamiento

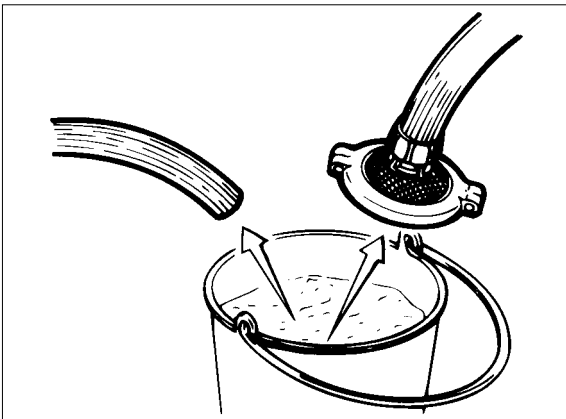


- Después de la operación, extraiga cualquier fluido y drene la solución química que queda en el tanque, luego efectúe la limpieza. Los problemas futuros en el arranque de la bomba pueden ser evitados mediante una limpieza regular normal.

PRECAUCIÓN

Para el desecho del agua después del lavado de esta máquina, se debe tener especial cuidado para que no se produzcan desastres químicos, lo mismo con el acondicionador.

Para el método de manipulación de los químicos, lea el manual de instrucciones de los químicos cuidadosamente.

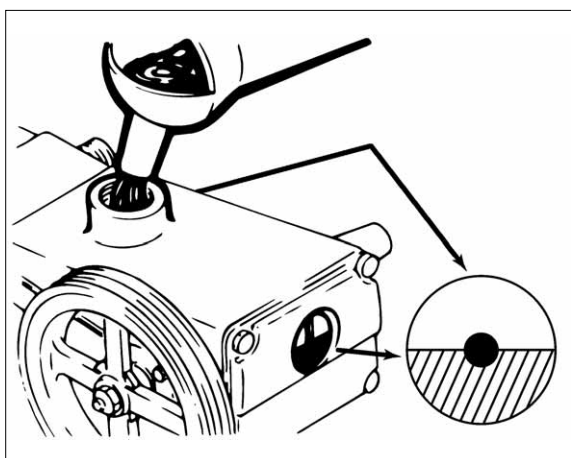
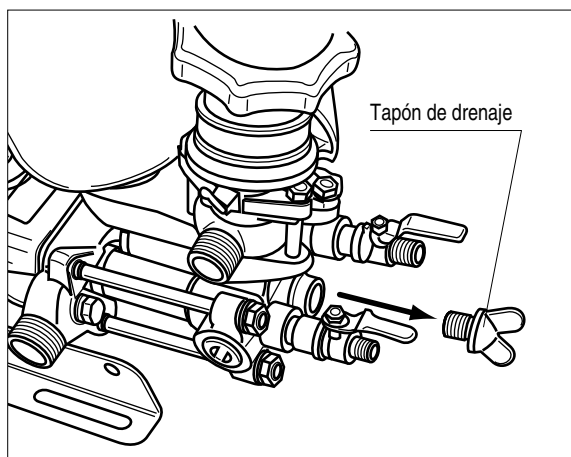
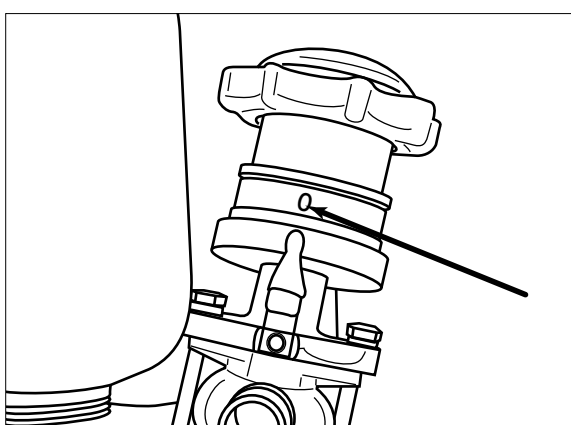
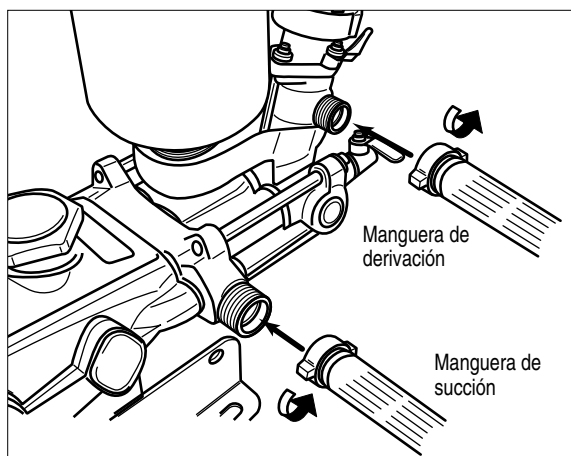


- Remueva la boquilla de la manguera, eleve el colador de toma de agua del agua, y opere esta máquina a baja velocidad con la válvula abierta al agua de drenaje (Mango: "0", Manija: "Comienzo").

PRECAUCIÓN

La operación en ralentí debe ser de menos de un minuto para protección de la máquina.

Limpieza, mantenimiento y almacenamiento



- Si la manguera de toma de agua y la manguera de agua extra se dejan conectadas, la empaquetadura puede resultar dañada y se pueden producir fugas.

- Almacene el resorte de control del regulador sin carga aplicada. Para mantener la indicación de presión correcta, retorne el mango a "0", y la manija a la posición "Comienzo".

- Para evitar daños debido a congelamiento en la temporada invernal, remueva completamente el agua antes del almacenamiento. Específicamente, suelte el tapón de drenaje que se muestra en la figura, drene el agua del interior de la máquina y efectúe la limpieza, mantenimiento y almacenamiento.

PRECAUCIÓN

Remover el aceite después que se enfría.

- Antes de reemplazar el aceite, asegúrese que la máquina se haya detenido.
- Para el reemplazo de la primera vez, reemplace el aceite después que han transcurrido 50 horas. Luego, reemplace cada 100 horas. Como el aceite se degrada, reemplácelo al menos una vez al año (SAE 10W-30 o equivalente) incluso si la marca de 50 ó 100 horas no ha expirado.

Localización de averías y acciones para el bomba de piston

- “Localización de averías y acciones para el regador por atomización” lista las condiciones que se podrían producir y las acciones a ser tomadas. En caso que se produzca cualquier falla, véase la lista y tome las acciones apropiadas. Si usted no sabe la causa o tiene cualquier pregunta, contacte al concesionario de servicio MARUYAMA.

1. Modelo

2. N° de serie

3. Descripción de la falla (qué resultó en qué, cómo y haciendo qué)

Detalle estos problemas.

Para ©, consulte con el concesionario de servicio MARUYAMA para ajuste o reparación.



No remueva la tapa en la parte superior del mango de la válvula de control de presión, y ajuste el tornillo. Una presión mayor que lo especificado se podría producir, la máquina podría estar dañada y se podrían producir lesiones personales. Por lo tanto, nunca tome esta acción.

Estado		Causa	Acción
(1) No hay succión o hay baja succión	Transmisión	Deslizamiento de la correa	Ajustar/reemplazar
	Al orificio de toma de agua	Succión atascada con polvo/suciedad	Limpiar
		Manguera de succión dañada/doblada	Reparar/reemplazar
		Falla de la empaquetadura de conexión de toma de agua	Reparar/reemplazar
		Error de conexión	Conectar correctamente
Manguera de toma de agua demasiado larga		Reemplazar	
(1) No hay succión o hay baja succión	Parte de toma y presurización de agua (cilindro)	Válvula de toma de agua/válvula de descarga atascada con polvo o bloqueada	Limpiar ©
		Error de ensamble de la válvula de toma/válvula de descarga de agua	Ensamble correctamente ©
		Válvula de toma/válvula de descarga de agua dañada o gastada	Corregir/reemplazar ©
		Resorte de la válvula de descarga roto	Reemplazar ©
		Empaquetadura de pistón dañada	Reemplazar ©
		Aro tórico dañado	Reemplazar ©
		Empaquetadura de sello	Reemplazar ©
Control de presión	La manija de la válvula de control de presión en el estado de presurización	Mover la manija a la posición de comienzo	
	Control de presión atascado en la posición	Desarmar/Limpiar ©	
(2) La presión no aumenta	Parte de toma y presurización de agua	Volumen de toma de agua insuficiente	Véase (1)
	Control de presión	Bola de la válvula de control de presión/asiento de bola dañado	Reemplazar ©
Error de la barra de la válvula de control de presión		Ajustar/reemplazar ©	
Error del cilindro de resorte de la válvula de control de presión		Reparar/reemplazar ©	
Resorte de válvula de control de presión dañado/degradado		Reemplazar ©	

Localización de averías y acciones para el bomba de piston

Estado		Causa	Acción
(3) La presión disminuye si la válvula de descarga se abre	Boquilla	Boquilla gastada ————— Reemplazar Excesivo volumen de atomizado de la boquilla — Reemplazar por la boquilla apropiada	
	Bomba de piston	Bajo volumen de toma de agua ————— Véase (1)	
	Manguera	Manguera de riego por atomizador demasiado larga — Ajustar a la longitud apropiada Manguera de riego por atomizador demasiado angosta — Ajustar a grueso apropiado Filtración de agua desde la conexión de la manguera — Reparar/reemplazar	
(4) Vibración de la manguera de riego por atomizador		Cámara de aire llena con agua ————— Abra la línea de succión para permitir la entrada de aire. (en ralentí dentro de 1 minuto) Movimiento de la válvula de control de presión deficiente — Desarmar/ajustar Error de la línea de toma/presurización de agua (atascamiento, aflojamiento) — Desarmar/ajustar Boquilla atascada ————— Limpiar	⊙ ⊙
(5) Ruido		Perno de seguro de la polea en V aflojado — Reapretar/reemplazar Perno de barra de conexión, etc. suelta — Reapretar Cojinete roto ————— Reemplazar Error de ensamble de la válvula de control de presión — Ajustar Toma de aire ————— Verificación	⊙ ⊙ ⊙ ⊙
(6) Filtración de líquido/filtración de aceite		Aro tórico dañado ————— Reemplazar Empaquetadura de sello ————— Reemplazar Sello de aceite dañado ————— Reemplazar Error de apriete/ensamble ————— Desarmar/ajustar	⊙ ⊙ ⊙ ⊙

Servicio después de la venta

- Si se encuentran fallas durante la verificación al comienzo o durante el uso, efectúe inmediatamente el mantenimiento apropiado. Contacte al concesionario de servicio MARUYAMA.
- Descripción de fallas
 - Modelo
 - N° de serie
 - Descripción de la falla
 - Qué resultó en qué, cómo y haciendo qué.
 - Describa los detalles.
- Para usar este producto de manera segura, la operación correcta y el mantenimiento periódico son indispensables. Solicite al concesionario de servicio MARUYAMA que efectúe la verificación y el mantenimiento.

Cambio de la dirección del orificio de agua extra

- Para cambiar la dirección del orificio de derivación, se requiere de un nuevo mango. Sírvase contactar al concesionario de servicio MARUYAMA.
- No instale ningún dispositivo ni válvula en el orificio o la manguera de derivación. Se producirá daño en la bomba.

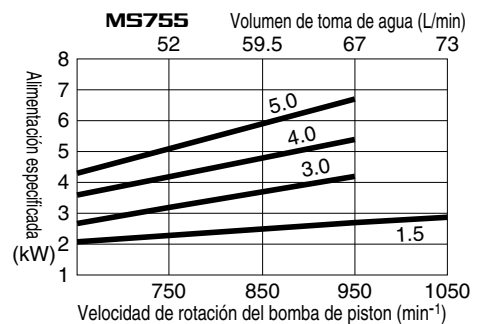
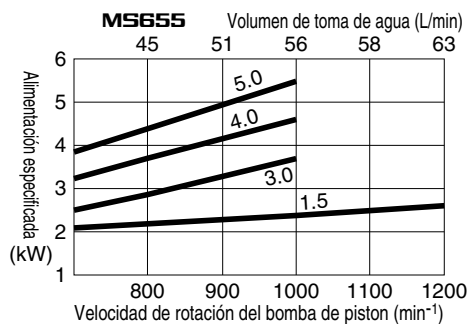
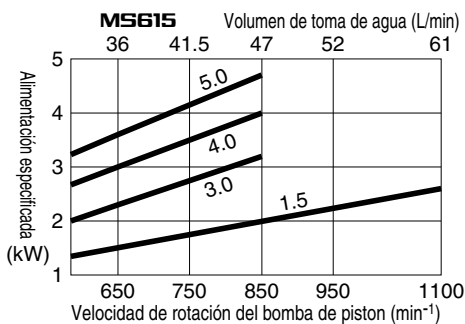
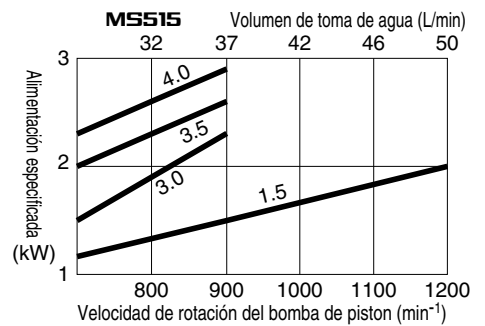
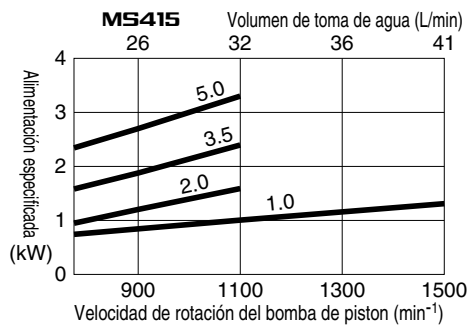
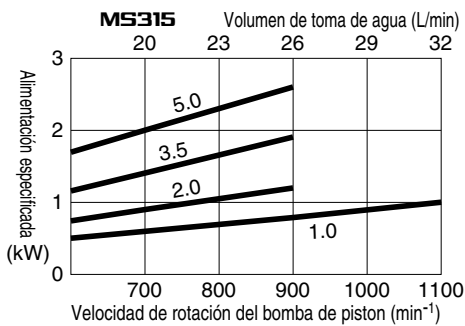
Modificación de la máquina

ADVERTENCIA

No modifique la máquina, ya que es peligroso. La modificación de la máquina o su uso de manera diferente a lo especificado en el manual de instrucciones podrían no estar cubiertos por la garantía.

Tabla de especificaciones

Nombre		MS315	MS415	MS515	MS615	MS655	MS755	
Dimensiones básicas (mm): Longitud x Ancho x Altura		415×242×298	415×242×361	449×271×359	510×312×397	510×312×417	551×312×417	
Masa (seca) (kg)		10.5	11	14.5	19	19	20	
Rendimiento	Velocidad de rotación (min-1)	Máximo	900	1100	900	850	1000	950
		Suministro de agua	1100	1500	1200	1100	1200	1050
	Volumen de toma de agua (litros/min)	Máximo	26	32	37	47	56	67
		Suministro de agua	32	41	50	61	63	73
	Presión (MPa)	Máximo	5.0	5.0	4.0	5.0	5.0	5.0
		Suministro de agua	1.0	1.0	1.5	1.5	1.5	1.5
Potencia especificada (kW)	Máximo	2.6	3.3	2.9	4.7	5.5	6.7	
	Suministro de agua	1.0	1.3	2.0	2.6	2.6	2.9	
Válvula de riego por atomizador		G1/4 , G3/8			G3/8×2			
Tipo de lubricante		SAE10W-30 ó SAE30 No detergente						
Volumen de lubricante (L)		0.6			1.15			
Polea en V (mm)		152 (A-2)		178 (A-2)		229 (B-2)		
Accesorios	Manual de instrucciones	1						
	Manguera de toma de agua	φ 19×3m			φ 25×3.6m			
	Colador de toma de agua	30 malla						
	Manguera de agua extra	φ 13×3m			φ 19×3.6m			
	Cinta	350mm						



* La unidad en el gráfico es MPa.

Merci d'avoir choisi notre produit.

Ce mode d'emploi décrit la bonne utilisation de ce produit, et vous donne des instructions pour le contrôle et l'entretien de l'appareil.

Avant d'utiliser l'appareil, veuillez attentivement lire ce mode d'emploi et vous assurez de tout comprendre. Les instructions dans ce mode d'emploi vous aideront à utiliser cet appareil plus longtemps et avec plus de plaisir.

Après avoir lu ce mode d'emploi, conservez-le dans un endroit sûr, pour pouvoir vous y référer ultérieurement. Il se peut que le produit diffère des descriptions et des illustrations du mode d'emploi, puisque nous essayons toujours d'améliorer nos produits.

En cas de problème, veuillez contacter un revendeur agréé MARUYAMA ou le magasin où vous avez acheté l'appareil.


- **Gardez ce manuel afin de faciliter votre référence à date postérieure.**
- **Si vous perdez ce mode d'emploi, veuillez contacter un concessionnaire de produits MARUYAMA, pour un nouvel exemplaire.**
- **Ne modifiez pas ce produit. Ceci pourrait empêcher une opération du produit et en plus, certaines modifications pourraient être dangereuses.**


But de l'appareil


Ce produit a été développé pour l'épandage de produits agricoles et de pesticides, proprement assortis. Nous ne sommes pas responsable pour des accidents à la suite d'une autre utilisation du produit, ou pour des accidents dus à des modifications ou à un démontage non autorisé.

Précautions

Dans ce mode d'emploi, les précautions d'usage sont annoncées de façon suivante.

 **DANGER** Risque de mort ou de blessure sérieuse, si les instructions ne sont pas suivies.

 **AVERTISSEMENT** Risque de mort ou de blessure sérieuse, si les instructions ne sont pas suivies.

 **ATTENTION** Risque de blessure, si les instructions ne sont pas suivies.

ATTENTION Le produit pourrait être endommagé, si les instructions ne sont pas suivies.



Si vous autorisez une autre personne à utiliser cet appareil

Expliquez sérieusement à la personne comment utiliser ce produit et expliquez la signification et l'importance des étiquettes d'avertissement (avec les points d'exclamation [!]) attachés à l'appareil. Afin d'éviter des malentendus, dites-lui/la de lire le mode d'emploi et les précautions de travail, et d'apprendre à manier l'appareil, avant de commencer le travail.

En particulier, expliquez en détail ce qu'il ne faut jamais faire avec cet appareil.

Comme si vous l'utilisiez vous-même !



1.  Pour un usage sans risques	44
Précautions avant la mise en service	44
Précautions durant l'usage (produit chimique)	46
(préparations pour l'usage)	47
(lors de l'usage)	48
Précautions pour l'installation	49
Précautions pour l'installation/précautions après l'usage	51
2. Noms des pièces principales et des mécanismes de commande	52
Noms des pièces principales	52
Vérification des accessoires standards, fonctions des accessoires standards et des mécanismes de commande, et étiquettes d'avertissement 	53
3. Utilisation et fonctionnement	54
Préparation et contrôle – Pulvérisation	54
Préparation et contrôle – Pulvérisation - Arrêt	56
4. Nettoyage, entretien et entreposage	57
Nettoyage, entretien et entreposage	58
Dépannage et mesures pour le pulvérisateur automoteur	59
5. Révision	61
Révision après-vente	61
Changement de la direction de l'orifice de dérivation	61
Modification de la machine	61
6. Spécifications	62
Fiche technique	62

1. ⚠ Pour un usage sans risques

Précautions avant la mise en service

Veillez lire et contrôler les précautions sur les étiquettes attachées à l'appareil, afin d'assurer une utilisation sûre et correcte, avant de prendre la machine en service.

Précautions de sécurité

Ci-dessous, vous trouverez quelques exemples de précautions à prendre. N'oubliez pas que le maniement de cette machine peut entraîner le risque de blessures.

Les personnes suivantes ne peuvent pas se livrer à du travail de pulvérisation :

- Des personnes qui ne peuvent pas effectuer du travail, en raison de fatigue par surmenage, maladie, effets de stupéfiants, etc.
- Des personnes qui ont bu de l'alcool (y compris vin et bière).
- Des femmes enceintes.
- Des personnes blessées ou des personnes avec une allergie aux produits agrochimiques.
- Des personnes très jeunes (moins de 15 ans).
- Des personnes sans suffisamment de connaissances de ce genre de machines.

Portez des vêtements adéquats pour ce genre de travail.

La personne utilisant la machine doit toujours porter des vêtements de bonne taille.

Casquette

Lunettes de sécurité

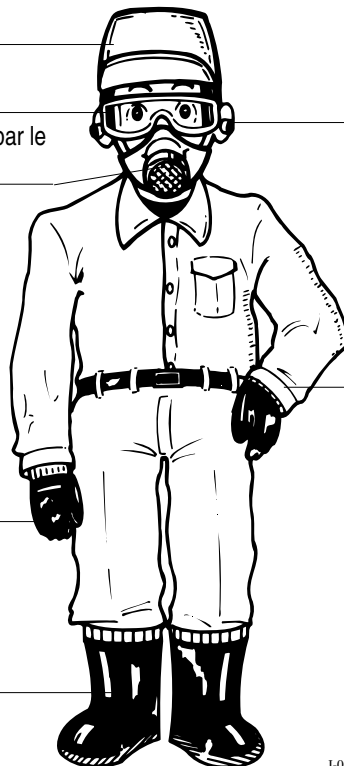
Masque respiratoire, tel que recommandé par le revendeur du produit chimique.

Bouchons d'oreilles
(protection auditive)

Vêtements de travail
(avec manchette étroite)

Gants de sécurité

Bottes ou chaussures de travail



I-003

⚠ AVERTISSEMENT

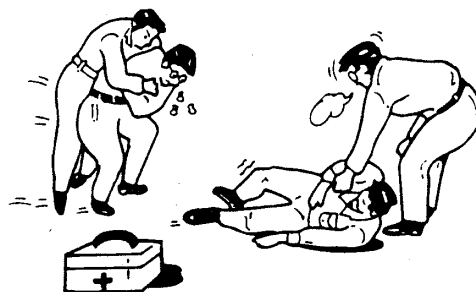
Contrôlez et entretenez vos vêtements et vos accessoires de sécurité, pour les maintenir en bon état.

Au cas où**Travail avec des produits agrochimiques****⚠️ AVERTISSEMENT**

Vérifiez toujours l'étiquette et les instructions du fabricant des produits chimiques que vous utilisez, la fiche de données de sécurité, pour tous les accessoires de sécurité nécessaires, les instructions pour l'usage, les méthodes de secourisme et toutes autres précautions à prendre et tous avertissements.

Suivez toujours les instructions de l'étiquette et de la fiche de données de sécurité du fabricant. Si vous avez des questions, veuillez contacter le fabricant du produit chimique en question, afin d'obtenir des instructions pour l'usage du produit.

Si vous n'êtes pas au courant des méthodes de secourisme !



I-005

Vérifiez le numéro d'urgence de la région où vous travaillez.

Précautions durant l'usage (conditionneur)

Maniement du conditionneur

⚠ AVERTISSEMENT

- (1) Lisez attentivement le manuel d'instruction des produits chimiques. Lisez les étiquettes pour les produits chimiques et l'engrais que vous comptez utiliser, afin de vous familiariser avec ces produits et des précautions à prendre.
- (2) Portez des vêtements qui vous protègent contre le conditionneur.
- (3) Ne préparez pas une trop grande quantité de conditionneur.
- (4) Préparez le conditionneur sur location, et gardez-le à cette location. Vérifiez la direction du vent et ne pulvérisez que dans des endroits où vous ne menacez pas l'environnement.
- (5) Ne remplissez pas la machine ou le réservoir avec du conditionneur avant de les transporter. Vous risquez des déversements accidentels, et, en conséquence, une pollution de l'environnement.
- (6) Ne jamais entreposer ou transporter le conditionneur ensemble avec des aliments ou des boissons. Faites attention de ne pas abimer l'emballage du conditionneur durant le transport.
- (7) Concevez un plan pour le travail de pulvérisation. Préparez la bonne quantité de conditionneur, afin de ne pas avoir de restes.
- (8) Mettez le reste du conditionneur dans un conteneur ou un sac bien fermé, et indiquez clairement le contenu du sac ou conteneur. Tenez le conditionneur à l'écart d'autres produits et dans un endroit où des personnes non autorisées n'ont pas d'accès. Ne jamais garder le conditionneur dans un conteneur ou sac pour des aliments ou des boissons.
- (9) Jetez le sac vide, la boîte et la bouteille, conformément aux indications du manuel d'instruction du conditionneur, ou conformément aux réglementations locales.

⚠ DANGER

- Ne tenez pas le tuyau de pulvérisation en mains. Ceci pourrait vous exposer à des produits agrochimiques, à cause d'un gicleur desserré.

⚠ AVERTISSEMENT

- N'utilisez jamais des produits agrochimiques inflammables. Ceci pourrait mener à du feu.

⚠ ATTENTION

- Si vous utilisez trop de conditionneur pour la surface à pulvériser, ou vous utilisez le mauvais genre de conditionneur, vous pouvez facilement créer des dégâts environnementaux très sérieux.
- Ne laissez pas de conditionneur dans le réservoir de conditionneur pour une trop longue période. Ceci pourrait abimer la machine.

Exécuter la pulvérisation de façon opportune.

- (1) Vérifiez la direction du vent et les environs de la location que vous voulez pulvériser. S'il y a beaucoup de vent, le conditionneur se répandra dans d'autres locations. Remettez alors ce travail à un autre jour.
- (2) Ne pulvérisez pas un champ durant des périodes de très hautes températures.
- (3) Ne commencez pas ce travail si vous vous sentez physiquement en mauvais état.
- (4) Evitez la location où vous avez pulvérisé, immédiatement après le travail.

N'oubliez pas de lire le mode d'emploi !



Interdit



I-008

Portez des vêtements de travail qui protègent.



Interdit



I-009

Ne jamais mettre des produits chimiques près d'aliments.



Interdit



I-010

Entreposez les produits chimiques de façon sûre et loin d'autres produits.

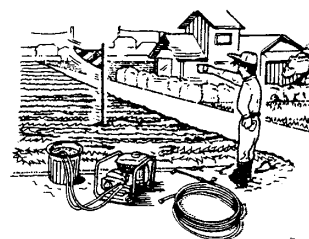


Interdit



I-011

Vérifiez la direction du vent et les environs directs.



Interdit



I-020

Evitez la location pulvérisée, immédiatement après le travail.



Interdit

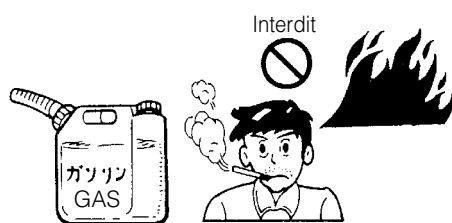


I-021

Précautions durant l'usage (inspection, entretien et transport)

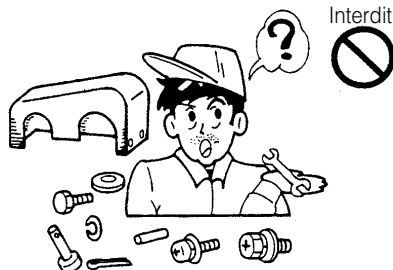
- (1) Si vous transportez cette machine sur un camion, attachez-la bien, afin qu'elle ne tombe pas.
- (2) Lorsque vous chargez ou déchargez du matériel lourd, n'oubliez pas de penser à une bonne position, et demandez à une autre personne de vous aider.
- (3) N'ajoutez jamais de carburant quand le moteur est encore chaud. N'allumez pas de cigarettes près de l'appareil. Faites attention aux décharges statiques. Refermez bien le couvercle du réservoir de carburant. Nettoyez toujours les déversements de carburant accidentels.
- (4) Vérifiez le serrage des boulons et des écrous de toutes les pièces, et contrôlez également les goupilles de verrouillage.
- (5) Si vous avez détaché des couvercles de sécurité pour des pièces rotatives, etc., pour entretien ou contrôle, veillez à bien les remettre en place.
- (6) Ne démarrez jamais le moteur près de matériaux inflammables, dans un endroit sans ventilation, ou dans un endroit trop petit. Ne démarrez jamais le moteur à l'intérieur d'un bâtiment.
- (7) Ne jamais mettre des fils électriques en proximité de l'huile, de l'eau ou du feu.

Pas de feu ouvert



I-012

Attachez bien les couvercles de sécurité !



I-013

Attention à la ventilation et aux matières inflammables !

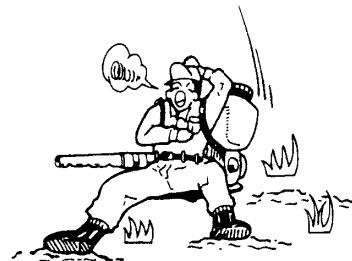


I-014

Points importants pour l'usage

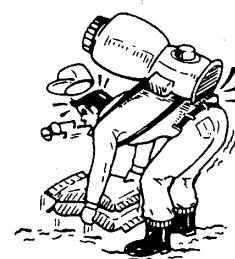
- (1) Pour éviter en épuisement, n'oubliez pas de prendre du repos toutes les deux heures.
- (2) N'oubliez pas que la machine qui contient le conditionneur, est un équipement lourd.
- (3) Portez des vêtements appropriés. Vérifiez la direction du vent et les autres conditions météorologiques, afin d'éviter une contamination physique et environnementale. Des produits agrochimiques qui se dirigent dans la mauvaise direction, peuvent entraîner du danger.
- (4) Si vous travaillez ensemble avec d'autres personnes, mettez vous d'accord sur des codes gestuels, pour une bonne communication.
- (5) Ajoutez l'essence après l'arrêt du moteur et après que celui-ci est refroidi. Faites attention de ne pas gaspiller de carburant.
- (6) Faites attention à ce qu'aucune personne non autorisée vous approche quand vous effectuez du travail de pulvérisation.
- (7) Dépendant de l'agent que vous utilisez pour la pulvérisation, vous pouvez éviter la génération d'électricité statique avec une chaîne à boules (option).
- (8) Vérifiez l'emballage du conditionneur et serrez bien le couvercle du réservoir, afin d'éviter des déversements accidentels.
- (9) Ne pointez jamais la buse du pulvérisateur vers une autre personne.
- (10) Avant de prendre du repos, gargarisez-vous la gorge et lavez vos mains et votre visage avec du savon.
- (11) Si vous ne vous sentez pas bien physiquement, contactez immédiatement un médecin, et demandez un traitement médical.

Reposez-vous régulièrement.



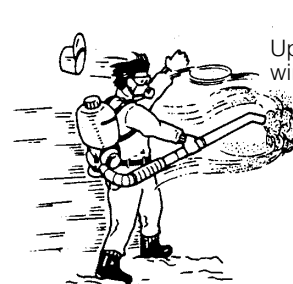
I-015

Ne soulevez pas des objets trop lourds !



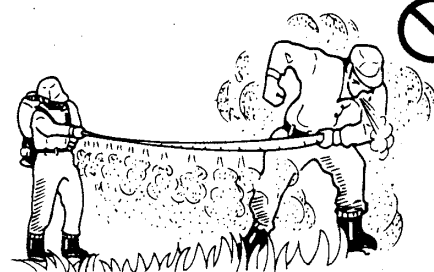
I-016

Faites attention au champ et à l'environnement !

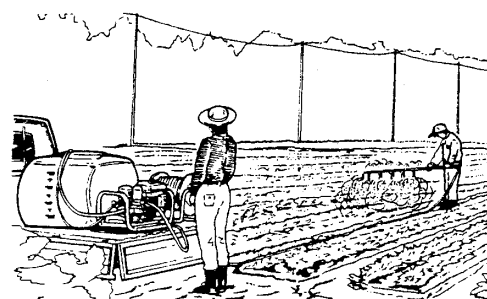


I-017

Mettez vous d'accord sur des codes gestuels !



I-018



I-024

Points importants pour le maniement de la machine

Utilisations

- Pulvérisation de produits chimiques pour rizières, cultures et champs de légumes, fruitiers, mûriers et arbres.
- Pulvérisation de solutions antiseptiques ou insecticides pour étables, enclos à volaille, et voirie urbaine.
- Pulvérisation d'herbicides liquides.
- Pulvérisation d'eau pour arrosage de différentes cultures, tels que légumes où riz.
- Nettoyage d'étables, d'enclos à volaille, de cultures agricoles et d'instruments agricoles.
- Nettoyage de murs, etc., de bâtiments et protection de lignes électriques contre le sel.

ATTENTION

N'utilisez pas d'acides forts ou d'alcalis forts, de solvants chimiques ou de l'eau chaude. Ceci pourrait abimer votre pulvérisateur où la pompe de pulvérisation.

AVERTISSEMENT

- Si vous installez ce produit avec un moteur, renseignez-vous auprès d'un revendeur agréé MARUYAMA.
- Si vous actionnez ce produit par une poulie en V et une courroie, n'oubliez surtout pas d'installer le couvercle de sécurité autour des pièces rotatives, afin que celles-ci ne peuvent pas être touchées, durant du travail d'entretien ou de contrôle. (Ne démontez jamais le couvercle lors du fonctionnement ou du contrôle de la machine. Si l'installation d'un couvercle n'est pas possible, il vous faudra prendre d'autres mesures. Par exemple une clôture autour de la machine en opération.)
- Assurez-vous que la machine est en arrêt complet avant de commencer le travail d'entretien ou de réglage.

ATTENTION

- Choisissez des poulies et une de puissance à portée du régime (tr/min), qui s'accordent avec la pression et le volume d'eau spécifiés.
- Si vous excédez ces portées lors de l'usage, le pulvérisateur automoteur pourrait être abimé, ou des accidents pourraient se produire.
- La sortie nominale du moteur doit être égale à ou plus haute que la puissance spécifiée du pulvérisateur automoteur. Si ceci n'est pas le cas, la performance sera moins que garantie.
- Installez la machine de telle façon que la jauge d'huile du pulvérisateur automoteur soit facilement accessible.

ATTENTION

- Pour attacher cette machine, utilisez des boulons avec la propre taille et les propres caractéristiques. Installez la machine avec soin. Si le pulvérisateur automoteur ou le moteur n'est pas stablement installé, les vibrations pourraient avoir des conséquences négatives sur le fonctionnement de l'appareil.
- Choisissez des poulies en V et une courroie de la bonne taille, conforme à la puissance spécifié. Utilisez toujours une poulie en V avec une ouverture de la bonne taille pour l'axe.
- Une poulie en V avec des mauvaises dimensions ou un mauvais creux peut causer un accident, à la suite des vibrations créées.
- Le bout de l'axe doit se retirer légèrement de la surface de la poulie en V. Serrez bien le boulon et n'oubliez pas la rondelle. Utilisez la vis de réglage pour assurer.
- Installez la poulie en V sur le moteur, et la poulie en V sur le pulvérisateur automoteur, en une ligne. Si la courroie n'est pas bien alignée, vue du haut, il y aura trop de force et la courroie sera endommagée ou dérapera.
- La courroie ne doit pas être trop serrée ou trop desserrée. Une courroie trop serrée endommagera les paliers du moteur ou de la pompe. Une courroie pas assez serrée, sera endommagée ou dérapera. Une courroie pas assez serrée, sera endommagée ou dérapera.
- Si vous utilisez deux courroies, ou plus, utilisez toujours le même genre et la même taille.
- Quand vous remplacez les courroies, remplacez les toutes en même temps.

Tuyauterie

DANGER

- Utilisez le même genre et la même taille de tuyau et de buse attachée. Quand vous faites la connexion, n'oubliez pas de vérifier le joint et de faire un assemblage sûr.
Si la taille ou le genre de tuyau est inadéquat, si le joint est perdu ou est abimé, si la vis n'est pas bien serrée, le liquide chimique sortira par les côtés. Il est également possible que vous seriez exposé au produit chimique, si les joints d'assemblage sont trop serrés. Serrez la vis de façon adéquate.
- Avant de préparer le conditionneur, contrôlez l'appareil pour des fuites, avec de l'eau froide.

(Admission d'eau)

- Le diamètre standard du tuyau d'entrée d'eau est le même que le diamètre de l'orifice d'entrée. Si le tuyau d'entrée contient des soupapes ou des coudes de tuyauterie, utilisez un tuyau d'entrée d'eau avec un plus grand diamètre.

ATTENTION

Si le diamètre du tuyau d'entrée d'eau est trop petit, l'appareil fonctionnera moins bien, et pourra même être endommagé.

- La tête de la pompe d'entrée doit être placée à une distance de trois mètres ou moins.

(Pulvérisation)

- Choisissez un tuyau de pulvérisation qui supporte la pression appliqué par la pompe, ou plus élevée.

(Tuyau)

- Mettez le tuyau d'entrée d'eau et le tuyau de dérivation dans le réservoir avec soin, et attachez-les soigneusement avec un collier de serrage ou un autre système.
- Quand vous attachez le tuyau, vérifiez les joints et les colliers de serrage.

AVERTISSEMENT

Raccordez le tuyau dérivation uniquement à l'orifice de dérivation. Si l'orifice de dérivation est fermé par une soupape, la machine peut être endommagée et vous risquez des blessures. N'installez jamais de soupape sur l'orifice de dérivation ou le tuyau de dérivation.

(Buse)

- Sélectionnez une buse qui assure environ 30% du volume de dérivation.

DANGER

- Si la buse appropriée (appropriée à la performance de la pompe) ou des pièces d'installation originales sont enlevées, ou si la buse n'est pas traité avec soin, la performance de la machine ne peut être garantie, et des problèmes pourraient se présenter, avec des dégâts à l'appareil ou des accidents.

ATTENTION

- Ne jamais pointer la buse du pulvérisateur vers une autre personne. Vous pourriez accidentellement arroser l'autre personne avec le produit chimique.

Précautions pour l'installation/précautions après l'usage

Utilisation avec un moteur

DANGER

- Le carburant est inflammable. Ne jamais utiliser la machine proche d'un feu ouvert.
- Ajoutez l'essence après l'arrêt du moteur et après que celui-ci est refroidi. Si vous gaspillez du carburant, nettoyez promptement.
- Quand vous procédez à du travail d'entretien ou quand vous ajoutez du carburant, assurez-vous qu'il n'y a pas de feu ouvert, tel qu'une cigarette, dans les environs.
- Quand vous avez fait le plein de carburant, entreposez le stock d'essence au moins 3 mètres de l'appareil avant de mettre celui-ci en marche.
- Ne jamais ajouter trop de carburant, secouer la machine ou incliner la machine.

AVERTISSEMENT

- Les gaz d'échappement de ce moteur nuisent à la santé. Ne laissez pas tourner le moteur dans une pièce non ventilée, afin d'éviter un empoisonnement au CO. Faites attention de ne pas inhaler des gaz d'échappement du moteur.

ATTENTION

- Quand le moteur est en marche et immédiatement après, il est très chaud. Ne touchez jamais le tuyau ou le pot d'échappement, ou les dissipateurs thermiques du cylindre. Vous vous brûlerez !
- Quand le moteur est en marche, le voltage dans le câble de bougie est très élevé. Ne touchez jamais la bougie ou le câble de la bougie

ATTENTION

Suivez toujours ces instructions et veuillez attentivement lire le mode d'emploi de cet appareil. Lisez toutes les instructions du fabricant du moteur, et suivez-les.

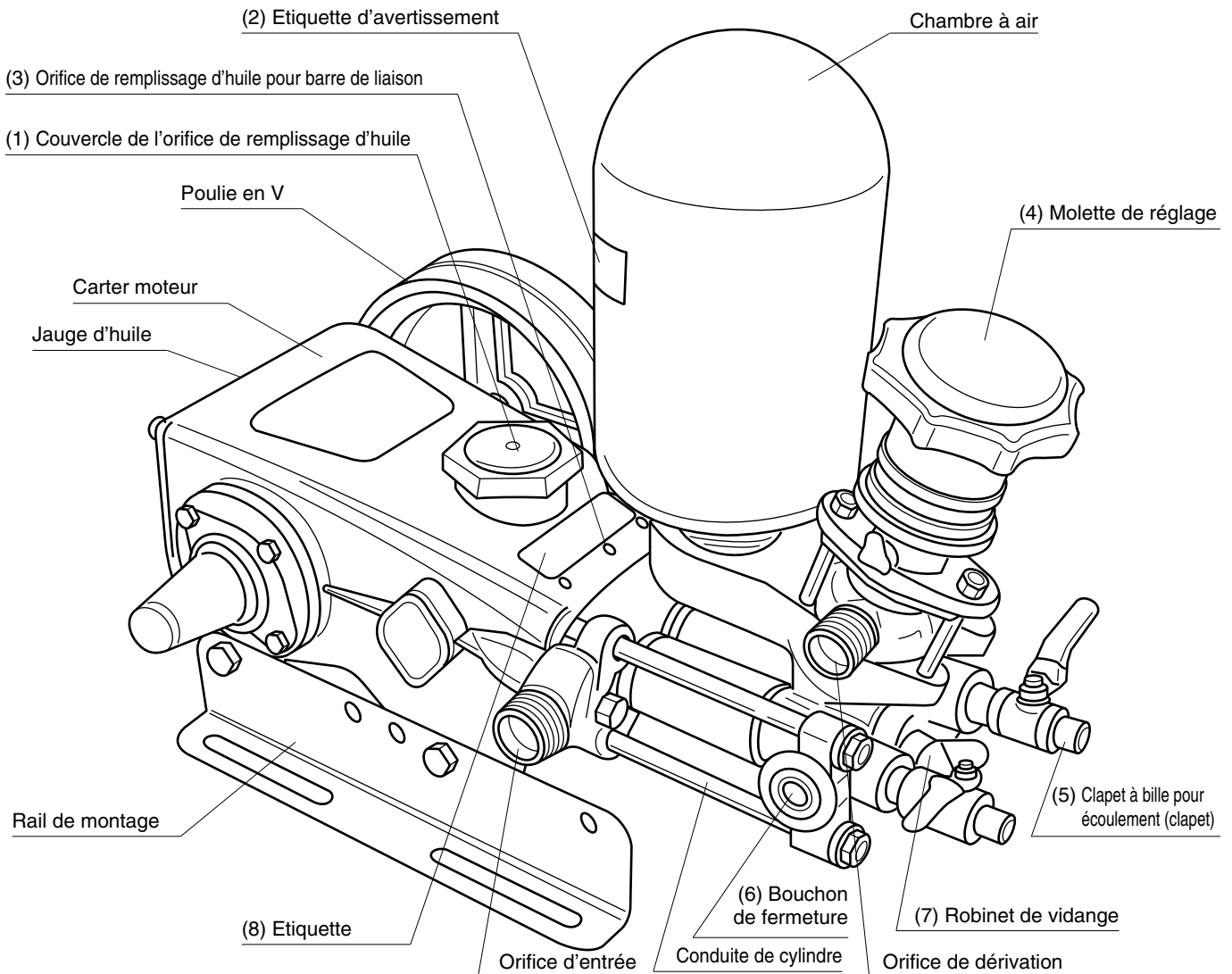
Précautions après l'usage

- (1) Pulvérisez tout le liquide ou tout l'engrais, afin que vous vidiez bien le réservoir pour conditionneur.
- (2) Assurez-vous qu'il ne reste pas de conditionneur dans la machine. Ceci pourrait causer de l'oxydation et des pannes.
- (3) Ôtez tout le carburant avant d'entreposer la machine pour une période plus longue.
- (4) Gargarisez-vous la gorge et lavez votre corps immédiatement après le travail avec des produits chimiques.
- (5) Lavez les accessoires de protection et tous les vêtements que vous avez utilisé.
- (6) Si une des pièces du pulvérisateur est endommagée, réparez-la, avant de mettre l'appareil de côté. Utilisez toujours des pièces de rechanges originales et des pièces de renouvellement recommandées par MARUYAMA.
- (7) Entreposez la machine dans un endroit sec et non poussiéreux.

Lavez-vous après le travail !



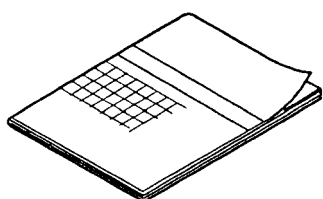
Noms des pièces principales



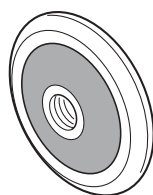
Vérification des accessoires standards

Après avoir ouvert l'emballage, vérifiez si tous les accessoires sont fournis. Si un des accessoires manque ou est endommagé, contactez un revendeur agréé MARUYAMA ou le magasin où vous avez acheté l'appareil. Vous pouvez trouver les dimensions et les quantités des accessoires dans la fiche technique sur la page 20.

Accessoires standards



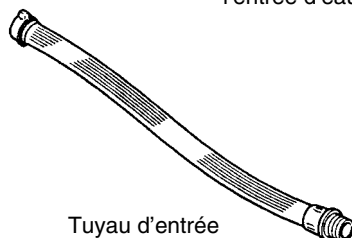
Mode d'emploi



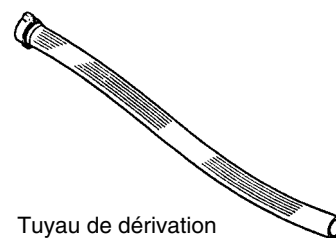
Crépine pour l'entrée d'eau



Tyrap



Tuyau d'entrée



Tuyau de dérivation

Caractéristiques du produit

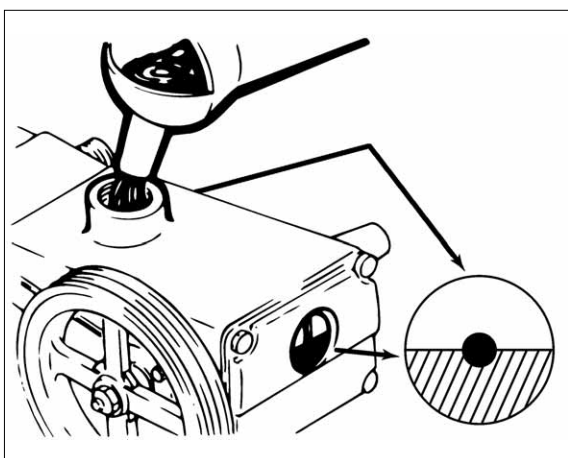
- Puisque la solution chimique circule toujours dans la même direction, la méthode d'entrée d'eau est légitime.
- Le cylindre a une longue durée d'utilisation puisqu'il a été traité selon le processus céramique MAC.
- La garniture du piston est faite d'un genre de caoutchouc résistant aux produits chimiques.

Fonctions des mécanismes de commande / ⚠ Etiquettes d'avertissement

- (1) Couvercle de l'orifice de remplissage d'huile :** Avant de mettre la machine en marche, ouvrez ce couvercle et, si nécessaire, ajoutez de l'huile pour moteur à essence (SAE 10W-30, ou équivalent).
- (2) Etiquette d'avertissement**
 - Assurez que ces étiquettes soient toujours propres et lisibles.
 - Si l'étiquette est sale ou déchirée, remplacez la.
 - Si la pièce avec l'étiquette d'avertissement est remplacée, n'oubliez pas de coller une nouvelle étiquette au même endroit.
- (3) Orifice de remplissage d'huile pour barre de liaison :** Avant de mettre la machine en marche, ouvrez ce couvercle et ajoutez environ 3 à 5 gouttes d'huile pour moteur à essence (SAE 10W-30, ou équivalent).
- (4) Molette de réglage :** Pour ajuster la pression.
 - Si vous tournez la molette dans le sens horaire, la pression augmentera.
 - Si vous tournez la molette dans le sens antihoraire, la pression diminuera.
- (5) Clapet à bille pour écoulement (clapet) :** Pour raccorder le tuyau de pulvérisation. Si le levier du robinet est tourné 90°, le robinet s'ouvre.
- (6) Bouchon de fermeture :** Dévissez le bouchon de fermeture pour introduire l'eau.
- (7) Robinet de vidange :** Ouvrez ce robinet pour vidanger. L'eau dans la pompe sera purgée.
- (8) Etiquette :** Indique le numéro de série.

3. Utilisation et fonctionnement

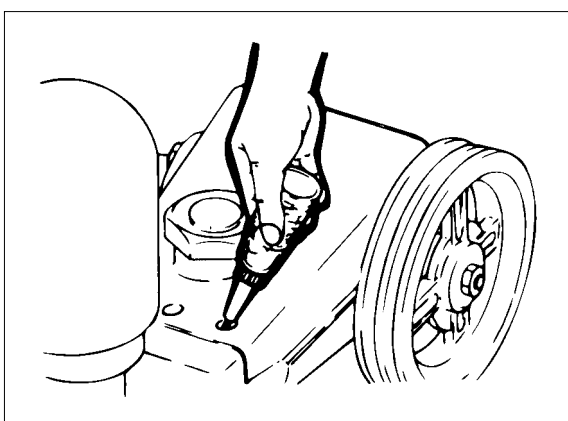
Préparation et contrôle – Pulvérisation



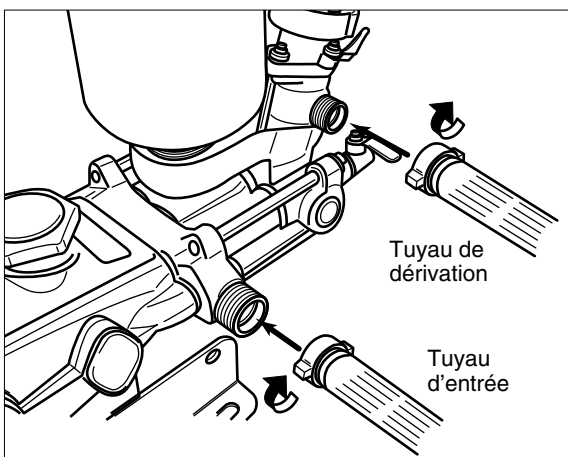
ATTENTION

Ce pulvérisateur automoteur ne contient pas d'huile. Avant de mettre l'appareil en service, remplissez le réservoir d'huile.

- Verser de l'huile de moteur à essence (SAE 10W-30 ou équivalent) jusqu'au niveau indiqué par le cercle rouge au centre de la pompe, ou jusqu'au cercle rouge au centre de la jauge d'huile sur le côté de la pompe.

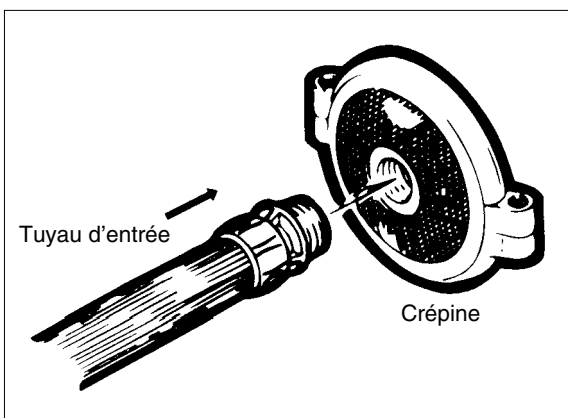


- Ajoutez environ 3 à 5 gouttes d'huile de moteur à essence (SAE 10W-30, ou équivalent) par les trois ouvertures de l'orifice de remplissage d'huile à l'avant du carter moteur.



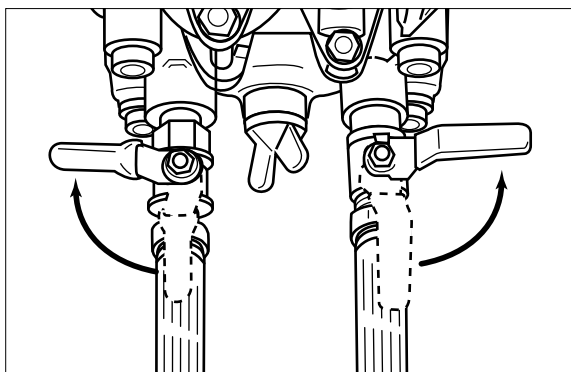
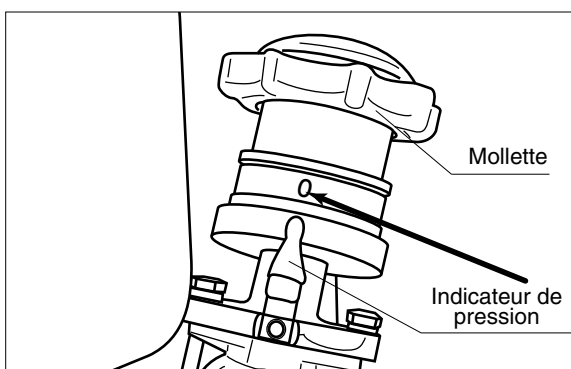
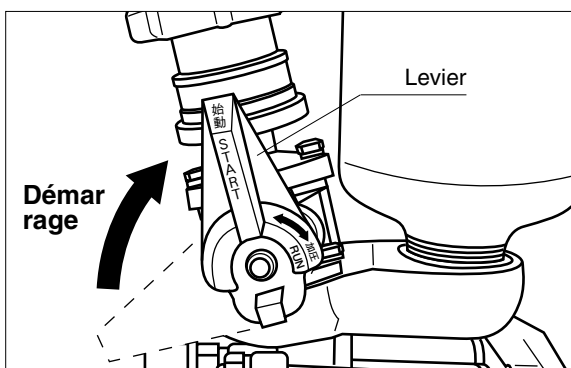
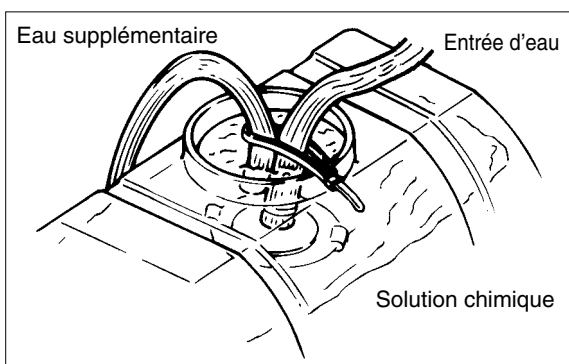
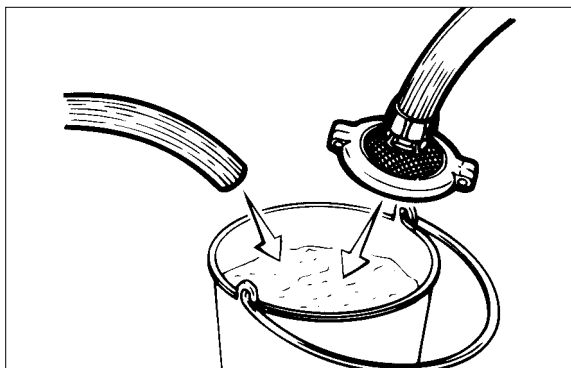
! ATTENTION

Avant d'attacher le tuyau d'entrée et le tuyau de dérivation, n'oubliez pas de vérifier les joints. Une mauvaise connexion du tuyau d'entrée d'eau, en particulier, peut causer des vibrations ou un manque d'amenée d'eau, ce qui réduira significativement la durée de vie de la pompe.



- Attachez la crépine pour l'entrée d'eau. C'est un accessoire standard. (Si vous utilisez une pièce non standard, veuillez contacter un revendeur agréé MARUYAMA.)

Préparation et contrôle – Pulvérisation



- Lorsque vous mettez l'appareil en marche pour la première fois, faites un essai avec de l'eau, et non pas avec du conditionneur, pour vérifier si tout marche bien.

! ATTENTION

Si le pulvérisateur automoteur a des problèmes, arrêtez votre essai et consultez la section «Dépannage et mesures pour le pulvérisateur automoteur,» sur les pages 17 et 18.

- Quand vous installez le tuyau dans le réservoir, veillez à ce que la distance entre le réservoir du conditionneur et la pompe d'entrée d'eau n'excède pas 3 mètres.

! ATTENTION

Un déplacement du tuyau d'entrée d'eau ou du tuyau de dérivation peut être dangereux. Attachez-les bien avec le ruban fourni.

- Veillez à ce que la crépine se trouve bien sous l'eau.

- Déplacez le levier pour le réglage de la pression vers la position 'Start', comme dans l'illustration.

- Tournez la mollette pour le réglage de la pression jusqu'à ce que l'indicateur se trouve en face du zéro (« 0 »).

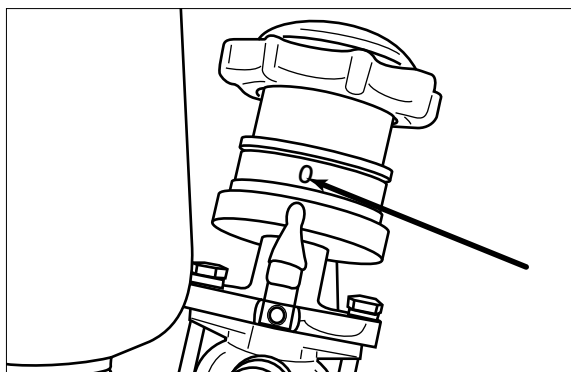
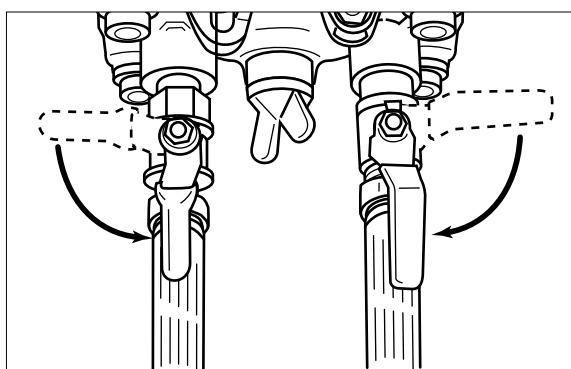
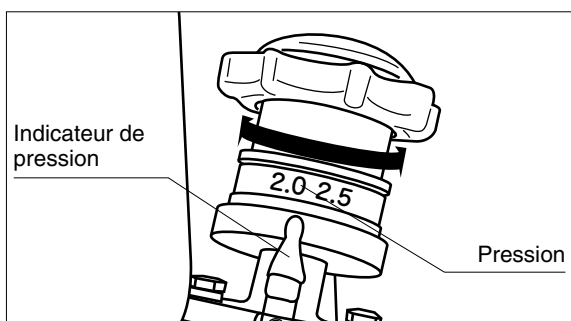
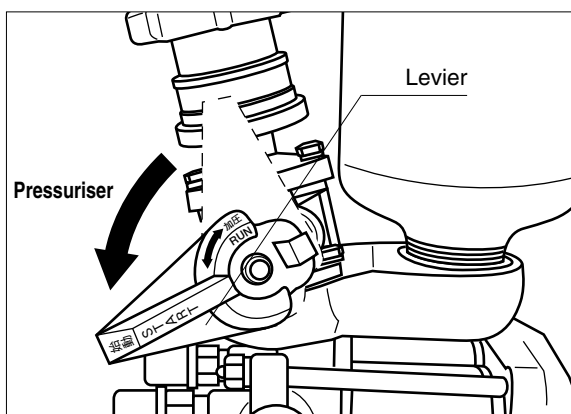
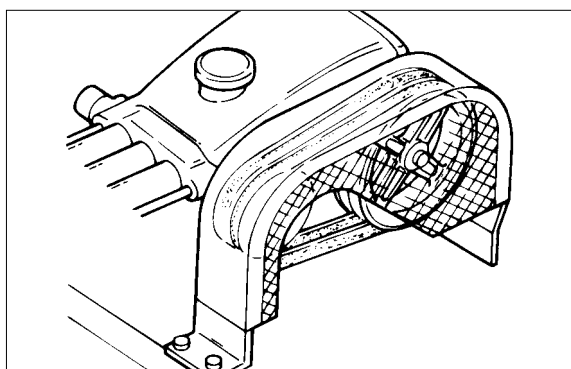
ATTENTION

Si vous démarrez l'appareil sous pression, la garniture du piston pourrait être endommagée, parce que l'appareil ne peut pas aspirer d'eau.

- Fermez le clapet à bille pour l'écoulement.

! ATTENTION

Si l'entrée d'eau commence et le robinet n'est pas fermé, le conditionneur peut s'échapper du robinet. N'oubliez pas de fermer le robinet.



- Au démarrage et durant l'utilisation, veillez à ce que le couvercle de sécurité soit installé.

! AVERTISSEMENT

Puisque les pièces rotatives peuvent causer des accidents, attachez toujours le couvercle de sécurité pour les courroies. Si vous ne pouvez pas attacher ce couvercle, prenez d'autres mesures, tel que la construction d'une clôture autour de la machine en opération.

- Tournez le levier de la soupape de réglage de pression vers la position « Pressurize ».

ATTENTION

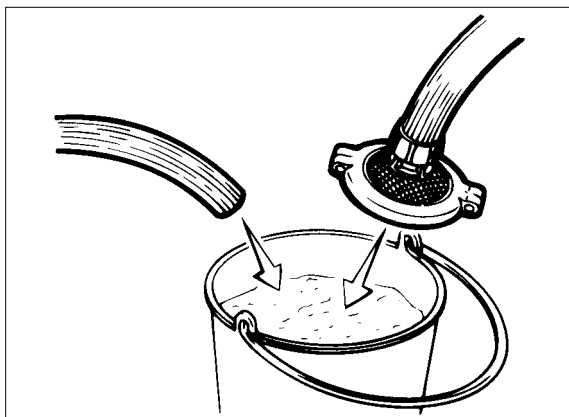
- Poussez le levier de la soupape de réglage de pression jusqu'au bout. Si le levier n'est pas poussé jusqu'à la fin, le mécanisme interne de la soupape peut être endommagé.
- Assurez-vous que l'eau entre dans l'appareil. Si l'eau ne rentre pas, après environ une minute après le démarrage (moteur au ralenti), la garniture du piston sera abîmée. Dans ce cas consultez la section « Dépannage et mesures pour le pulvérisateur automoteur, » sur les pages 17 et 18, et répétez la procédure.

! ATTENTION

Si la pression augmente tout à coup, lors d'une opération coopérative, une grande force secouera le manche de la buse, ce qui peut être dangereux. Avertissez toujours l'autre travailleur, avant d'ouvrir la soupape.

Arrêt

- Quand vous arrêtez la pompe, retournez la molette vers la position « 0, » et le levier vers la position « Start. » L'appareil utilise un ressort de compression, pour le réglage de la pression. Si le tuyau reste sous pression, le liquide qui se trouve dans le régulateur pourrait être déchargé quand le tuyau est détaché.

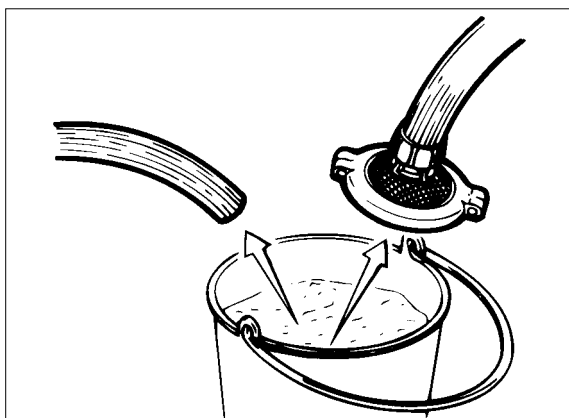


- Après l'utilisation de la machine, purgez la solution chimique qui reste dans le réservoir et nettoyez la machine. De cette façon vous éviterez des problèmes la prochaine fois que vous utiliserez la pompe.

ATTENTION

Pour disposer de l'eau, après avoir nettoyé la machine, prenez des précautions pour ne pas polluer l'environnement. La même chose s'applique pour le conditionneur.

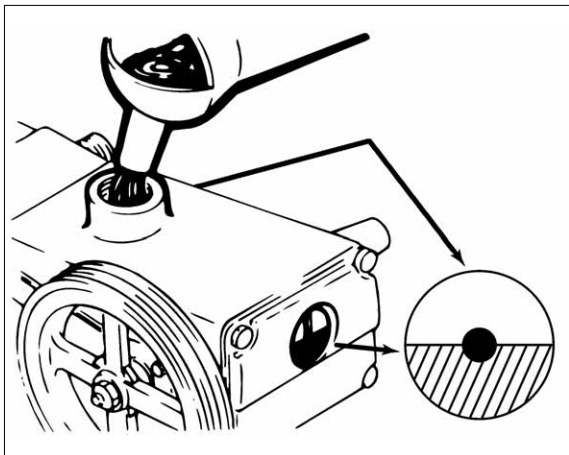
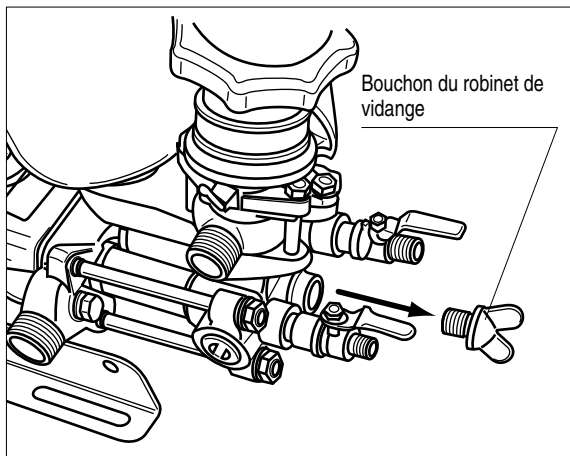
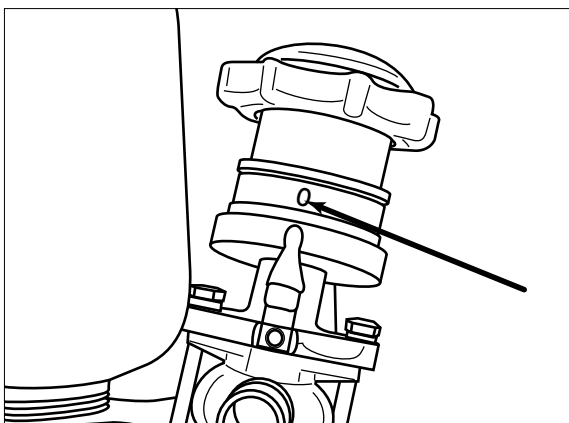
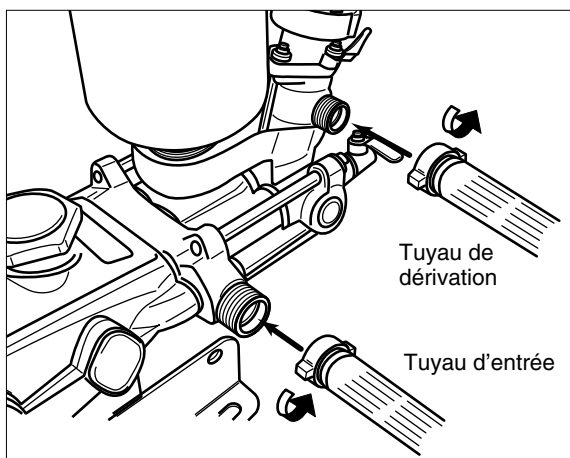
Pour le traitement du produit chimique, consultez attentivement le manuel d'instruction du produit.



- Détachez la buse du tuyau, sortez la crépine de l'eau, et faites tourner la machine au ralenti, avec le robinet de vidange ouvert, pour purger l'eau (mollette à « 0 » et levier à « Start »).

ATTENTION

Ne laissez pas la machine en marche au ralenti plus d'une minute, afin de ne pas la surchauffer.



- Si vous ne détachez pas le tuyau d'entrée d'eau et le tuyau de dérivation, les joints pourraient être abimés et par conséquent vous pourriez avoir des problèmes. Détachez les tuyaux et gardez les pour la prochaine utilisation.

- Faites attention à ce que le ressort de compression de la molette de réglage ne reste pas sous pression. Pour la bonne pression, retournez la mollette à la position « 0 » et le levier à la position « Start. ». Pour la bonne pression, retournez la mollette à la position « 0 » et le levier à la position « Start. »

- Pour éviter des dégâts par des températures au-dessous de zéro, en hiver, assurez-vous que la machine ne contient plus d'eau. Il est particulièrement important d'ouvrir le robinet de vidange (voir l'illustration), de purger l'eau et de nettoyer l'appareil, de l'entretenir et de l'entreposer.

! ATTENTION

Purger l'huile après avoir attendu qu'elle refroidisse.

- Vérifiez si la machine est complètement arrêté, avant de changer l'huile.
- Le premier changement d'huile doit avoir lieu après 50 heures d'usage. Ensuite changez l'huile toutes les 100 heures. Puisque l'huile détériore, changez l'huile au moins une fois par an (SAE 10W-30 ou équivalent), même si la machine n'a pas été utilisée 50 ou 100 heures.

Dépannage et mesures pour le pulvérisateur automoteur

- Dans la section « Dépannage et mesures pour le pulvérisateur automoteur, » vous trouverez une liste des problèmes les plus fréquents et des avis pour la solution de ces problèmes. Si vous avez un problème, consultez la liste et prenez l'action appropriée. Si vous ne trouvez pas la cause du problème ou si vous avez des questions, consultez un revendeur agréé MARUYAMA.

1. Modèle

2. Numéro de série

3. Description du problème (Quelle action a créée quel problème ?)

Détaillez ces affaires.

La où vous voyez le symbole « © », consultez un revendeur agréé MARUYAMA, pour un réglage ou une réparation.



Ne pas enlever le couvercle de la mollette du régulateur de pression ou tournez la vis. La pression pourrait monter au-dessus du niveau de la pression spécifiée, l'appareil peut être abimé, et vous risquez des blessures. Ne touchez donc pas à ces pièces.

Problème		Cause	Solution	
(1) L'appareil n'absorbe pas d'eau ou l'appareil absorbe l'eau difficilement	Transmission	La courroie dérape	Rajuster/remplacer	
	Orifice d'entrée d'eau	L'orifice d'entrée est bouché par de la poussière ou autre matériel	Nettoyer	
		Le tuyau d'entrée d'eau est endommagé/tordu	Réparer/remplacer	
		Problème avec le joint de l'orifice d'entrée d'eau	Réparer/remplacer	
Problème de connexion		Faite une bonne connexion		
Le tuyau d'entrée d'eau est trop long		Remplacer		
Entrée d'eau et pressurisation (cylindre)	Le robinet d'entrée d'eau/sortie d'eau est bouché par de la poussière ou bloqué	Nettoyer	©	
	Problème avec l'assemblage du robinet d'entrée d'eau/sortie d'eau	Démonter et rassembler correctement	©	
	Le robinet d'entrée d'eau/sortie d'eau est abimé ou usé	Corriger/remplacer	©	
	Le ressort de la soupape d'écoulement est cassé	Remplacer	©	
	La garniture du piston est endommagée	Remplacer	©	
	Le joint torique est endommagé	Remplacer	©	
	La garniture du joint est abimée	Remplacer	©	
Réglage de la pression	Le levier de la soupape de réglage de pression est dans la position 'Pressurize'	Mettre le levier dans la position 'Start'		
	La soupape de réglage de pression ne réagit plus	Démonter/nettoyer	©	
(2) La pression ne monte pas	Entrée d'eau et pressurisation	Le volume d'eau aspiré est trop petit	Voir (1)	
	Réglage de la pression	Le siège ou la bille de la soupape de réglage de pression est endommagé	Remplacer	©
		Le piston de la soupape de réglage de pression ne fonctionne pas	Rajuster/remplacer	©
		Le cylindre du ressort de la soupape de refoulement ne fonctionne pas	Réparer/remplacer	©
		Le ressort de la soupape de refoulement est endommagé/usé	Remplacer	©

Dépannage et mesures pour le pulvérisateur automoteur

Problème		Cause	Solution
(3) La pression diminue quand la soupape de refoulement est ouverte	Buse	La buse est usée —————	Remplacer
		Le volume vaporisé est trop grand —————	Remplacer par une autre buse
	Pulvérisateur automoteur	L'appareil n'aspire pas assez d'eau —————	Voir (1)
	Tuyau	Le tuyau de pulvérisation est trop long ———	Prendre un tuyau de la bonne longueur
		Le diamètre du tuyau de pulvérisation est trop petit —	Prendre un tuyau avec le bon diamètre
		Fuite d'eau à la connexion du tuyau —————	Réparer/remplacer
(4) Le tuyau de pulvérisation vibre		La chambre à air est remplie d'eau —————	Ouvrir le tuyau d'entrée pour admettre l'air (faire tourner au ralenti, moins d'une minute)
		La soupape de réglage de pression ne fonctionne pas bien —	Démonter/rajuster
		Problème avec l'entrée d'eau/pressurisation (bouché/desserré) —	Démonter/rajuster
		La buse est bouchée —————	Nettoyer
(5) Bruit		Le boulon de la poulie en V est desserré ———	Resserrer/remplacer
		Le boulon de la bielle est desserré —————	Resserrer
		Le palier est usé —————	Remplacer
		Problème avec l'assemblage de la soupape de réglage de pression —	Rajuster
		Aspiration d'air —————	Vérifier
(6) Fuite de liquide/fuite d'huile		Le joint torique est endommagé —————	Remplacer
		La garniture du joint est abimée —————	Remplacer
		La bague d'étanchéité d'huile est endommagée —	Remplacer
		Problème avec un serrage ou assemblage ———	Démonter/rajuster

Révision après-vente

- Si vous rencontrez un problème lors d'un contrôle, au démarrage ou durant l'utilisation, prenez tout de suite l'action appropriée. Consultez un revendeur agréé MARUYAMA.
- Description du problème
 - Modèle
 - Numéro de série
 - Description du problèmeQuelle action a créée quel problème ?
Détaillez ces affaires.
- Pour utiliser ce produit en sécurité, un usage correct et un entretien régulier sont indispensables. Demandez votre revendeur agréé MARUYAMA pour un contrôle et pour l'entretien.

Changement de la direction du robinet d'entrée d'eau supplémentaire

- Pour changer la direction de l'orifice de dérivation, il vous faudra un nouveau levier. Contactez votre revendeur agréé MARUYAMA.
- N'attachez jamais une soupape ou un autre appareil à l'orifice ou au tuyau de dérivation. Ceci pourrait endommager la pompe.

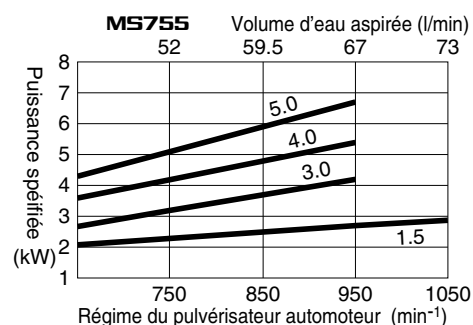
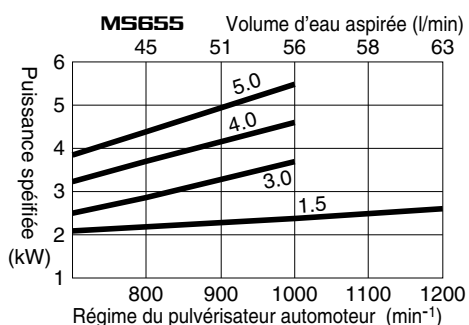
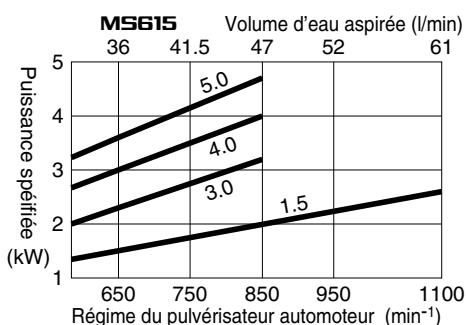
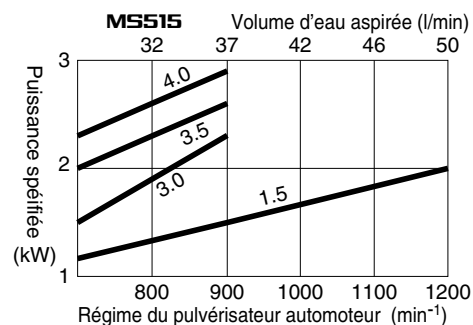
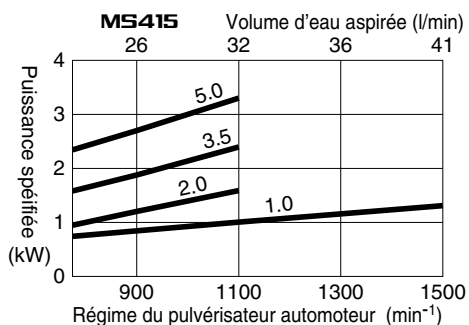
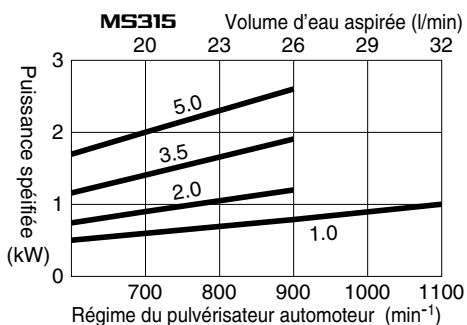
Modification de la machine

AVERTISSEMENT

Ne modifiez jamais cette machine. Ceci est dangereux. Des modifications de la machine ou un usage non spécifié par le mode d'emploi, ne sont pas couverts par la garantie.

Fiche technique

Nom		MS315	MS415	MS515	MS615	MS655	MS755	
Dimensions principales (mm) : Longueur x Largeur x Hauteur		415×242×298	415×242×361	449×271×359	510×312×397	510×312×417	551×312×417	
Poids (sec) (kg.)		10.5	11	14.5	19	19	20	
Performance	Régime (min-1)	Maximum	900	1100	900	850	1000	950
		Fourniture d'eau	1100	1500	1200	1100	1200	1050
	Volume d'entrée d'eau (litre/min.)	Maximum	26	32	37	47	56	67
		Fourniture d'eau	32	41	50	61	63	73
	Pression (MPa)	Maximum	5.0	5.0	4.0	5.0	5.0	5.0
		Fourniture d'eau	1.0	1.0	1.5	1.5	1.5	1.5
Puissance spécifiée (kW)	Maximum	2.6	3.3	2.9	4.7	5.5	6.7	
	Fourniture d'eau	1.0	1.3	2.0	2.6	2.6	2.9	
Soupape de pulvérisation		G1/4 , G3/8			G3/8×2			
Genre de lubrifiant		SAE10W-30 ou SAE30 non-détergente						
Volume de lubrifiant (litre)		0.6			1.15			
Poulie en V (mm)		152 (A-2)		178 (A-2)	229 (B-2)			
Accessoires	Mode d'emploi	1						
	Tuyau d'entrée d'eau	φ 19×3m		φ 25×3.6m				
	Crépine d'entrée d'eau	30 maillage						
	Tuyau d'entrée d'eau supplémentaire	φ 13×3m		φ 19×3.6m				
	Ruban	350mm						



* L'unité dans les diagrammes est MPa



MARUYAMA MFG. CO., LTD.

4-15, Uchikanda 3-chome, Chiyoda-ku, Tokyo TEL 81-3-3252-2285 <http://www.maruyama.co.jp>