

Is Your Product Registered?

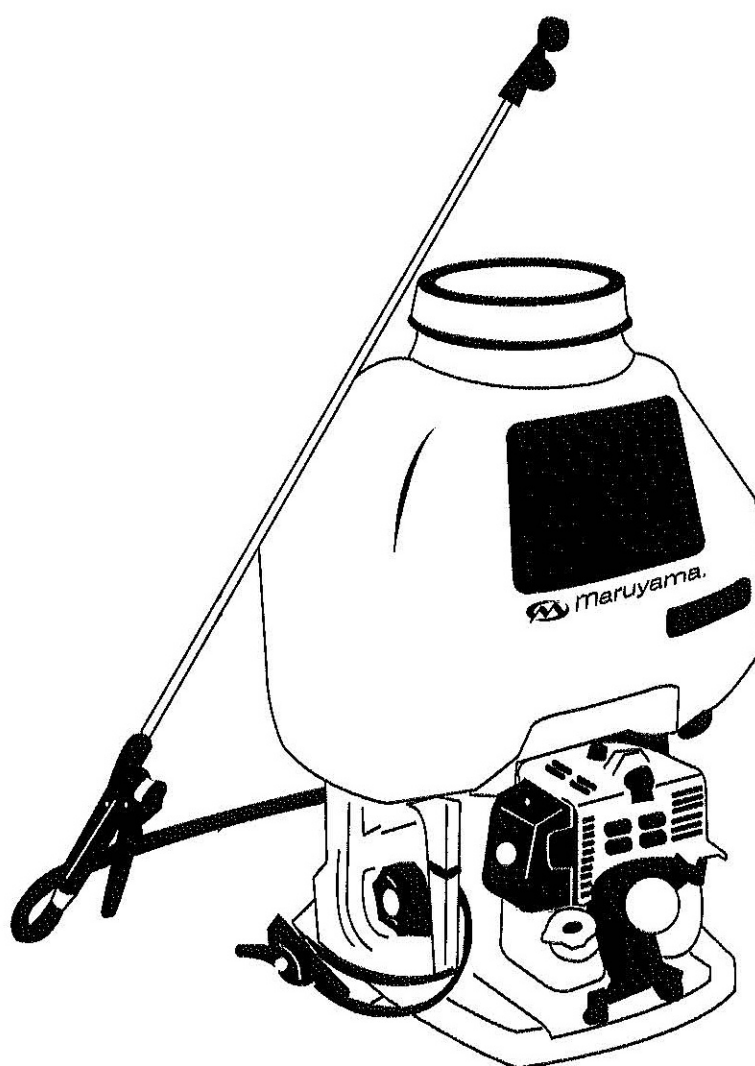
Contact your Dealer to verify.

Warranties are based on Registrations and reduced to 1 year without
Registration.

MARUYAMA

ILLUSTRATED PARTS LIST

MS0741
BACKPACK SPRAYER

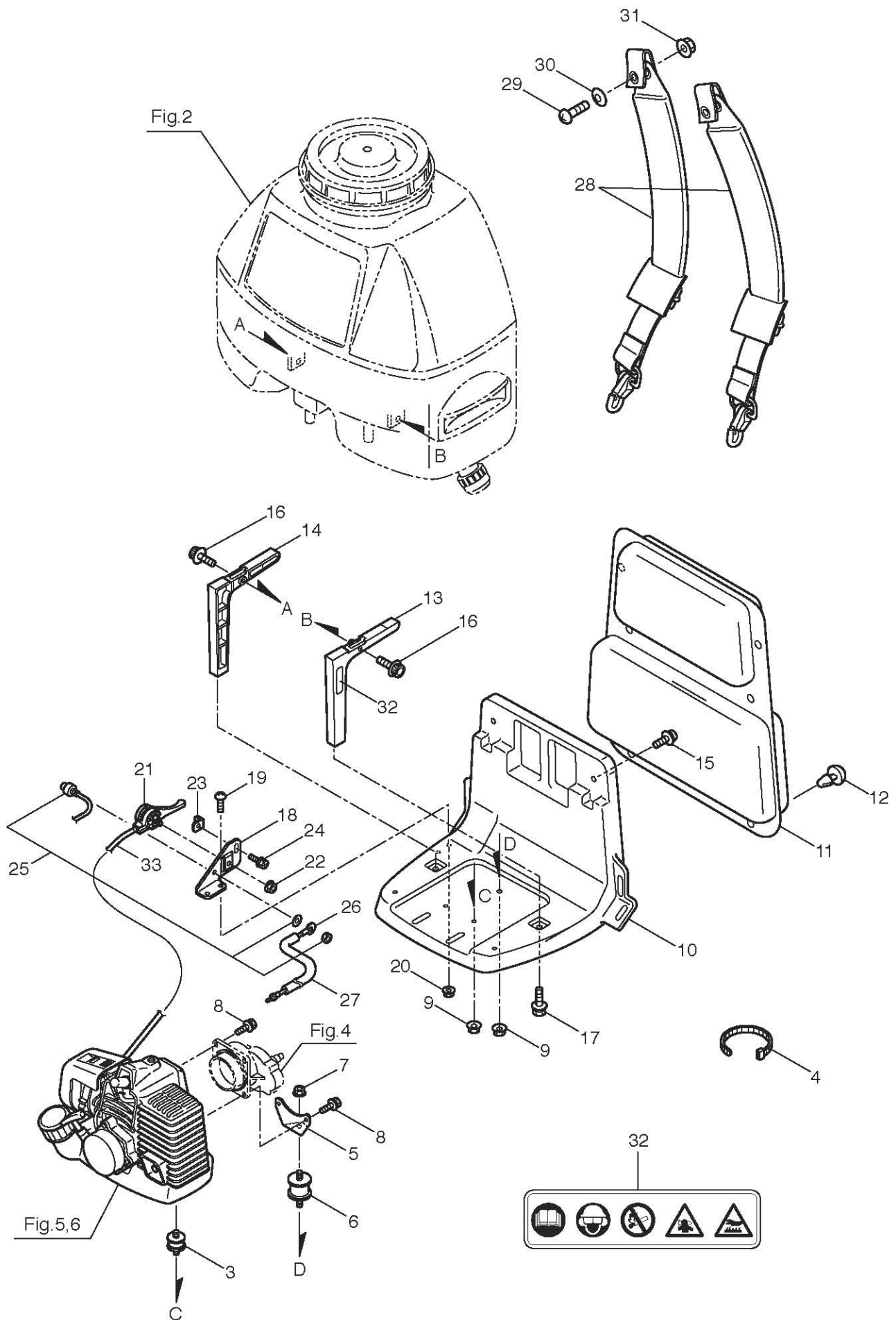


MS0741
BACKPACK SPRAYER
PART #522849 08/2009



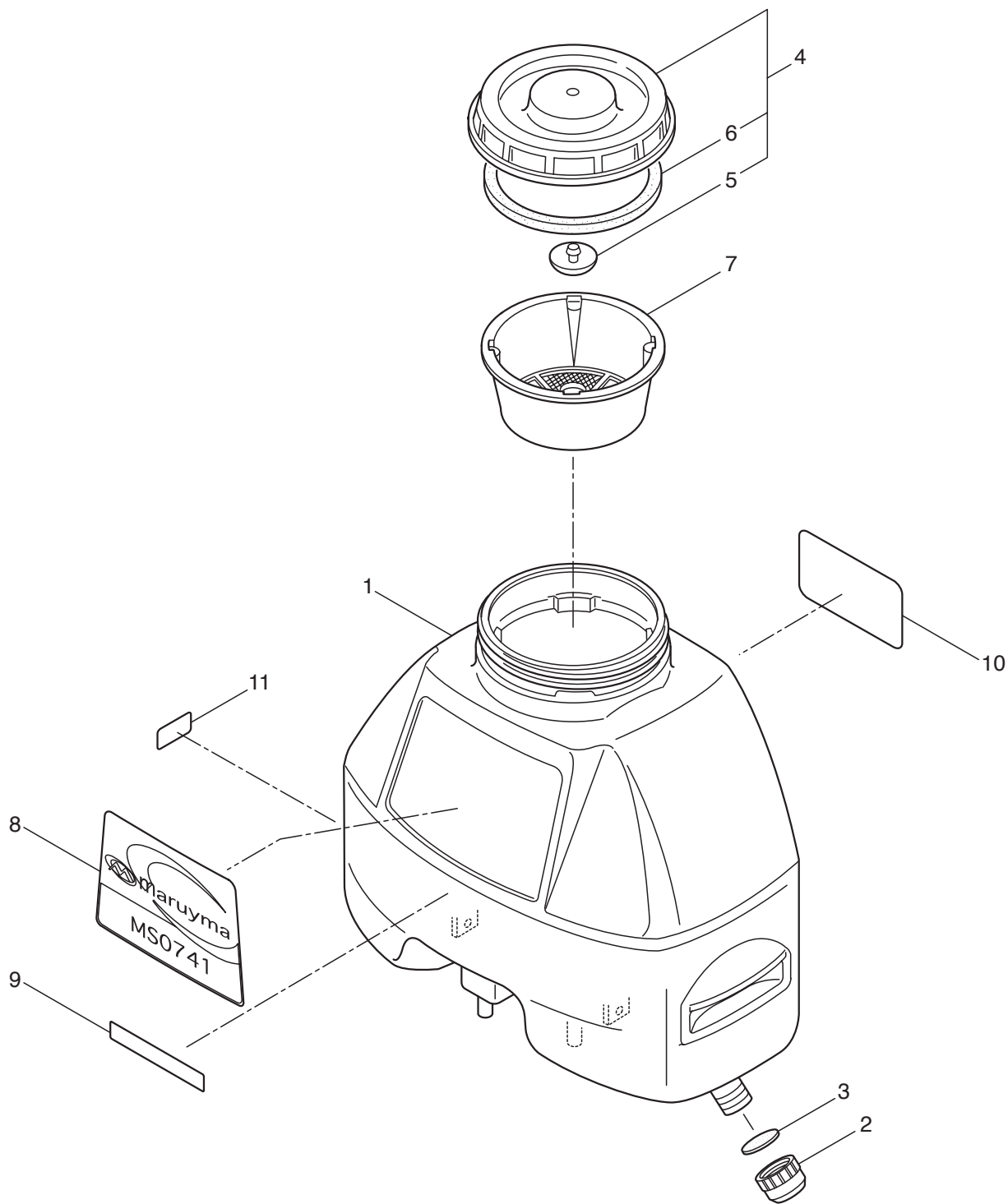
Maruyama. *Extraordinary.*

1. MS0741
MAIN BODY

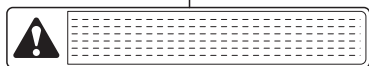


Ref. No.	Part No.	Part Name	Q'ty	Remarks
1-3	182114	Buffer	2	
1-4	104343	Band	2	
1-5	125803	Stay	1	
1-6	101877	Buffer	1	30-M6X14
1-7	126756	Nut	1	M6
1-8	126178	Bolt	4	M5X15
1-9	127228	Nut	3	M6
1-10	128939	Base	1	
1-11	122807	Cushion Pad	1	
1-12	100749	Fastener	6	#7
1-13	118002	Stay(R)	1	
1-14	118004	Stay(L)	1	
1-15	127238	Screw	2	M6X13
1-16	123952	Cap Screw	2	M6X14
1-17	127233	Bolt	2	M6X16
1-18	113674	Stay	1	
1-19	081415	Screw	2	M5X0.8X16
1-20	127226	Nut	2	M5
1-21	115148	Throttle Lever	1	
1-22	127226	Nut	1	M5
1-23	128940	Stopper	1	
1-24	817004	Bolt	1	M6X12
1-25	114895	Stop Button	1	AV0.5X320L
1-26	114896	Earth Cord	1	AV0.5X320L M8
1-27	114901	Vinyl Hose	1	8X9X220
1-28	120624	Knapsack Band	1	
1-29	127221	Screw	2	M6X16
1-30	127224	Washer	2	6X23XT1.6
1-31	127237	Nut	2	M6
1-32	266959	Label	1	
1-33	121616	Throttle Cable	1	

2. MS0741 CHEMICAL TANK



11
CAUTION
 DO NOT RUN ENGINE AT A LOW
 SPEED DURING OPERATION.



10

—— 取扱上の注意 ——

1. ご使用前に、必ず取扱説明書をお読み下さい。
2. 運転は必ずタンクに薬液を入れて行って下さい。
3. タンクに薬液を入れる時は、必ず備え付けのストレーナを通して下さい。
4. ご使用後は薬液を完全に抜き、清水を入れて噴射洗浄して下さい。洗浄後、タンク、ポンプ、ノズル内の水は完全に抜いて下さい。
5. 長期保存の場合は、タンク、ポンプ、ノズル内の水を完全に抜いた後、凍結のしない場所に保管して下さい。

—— Caution ——

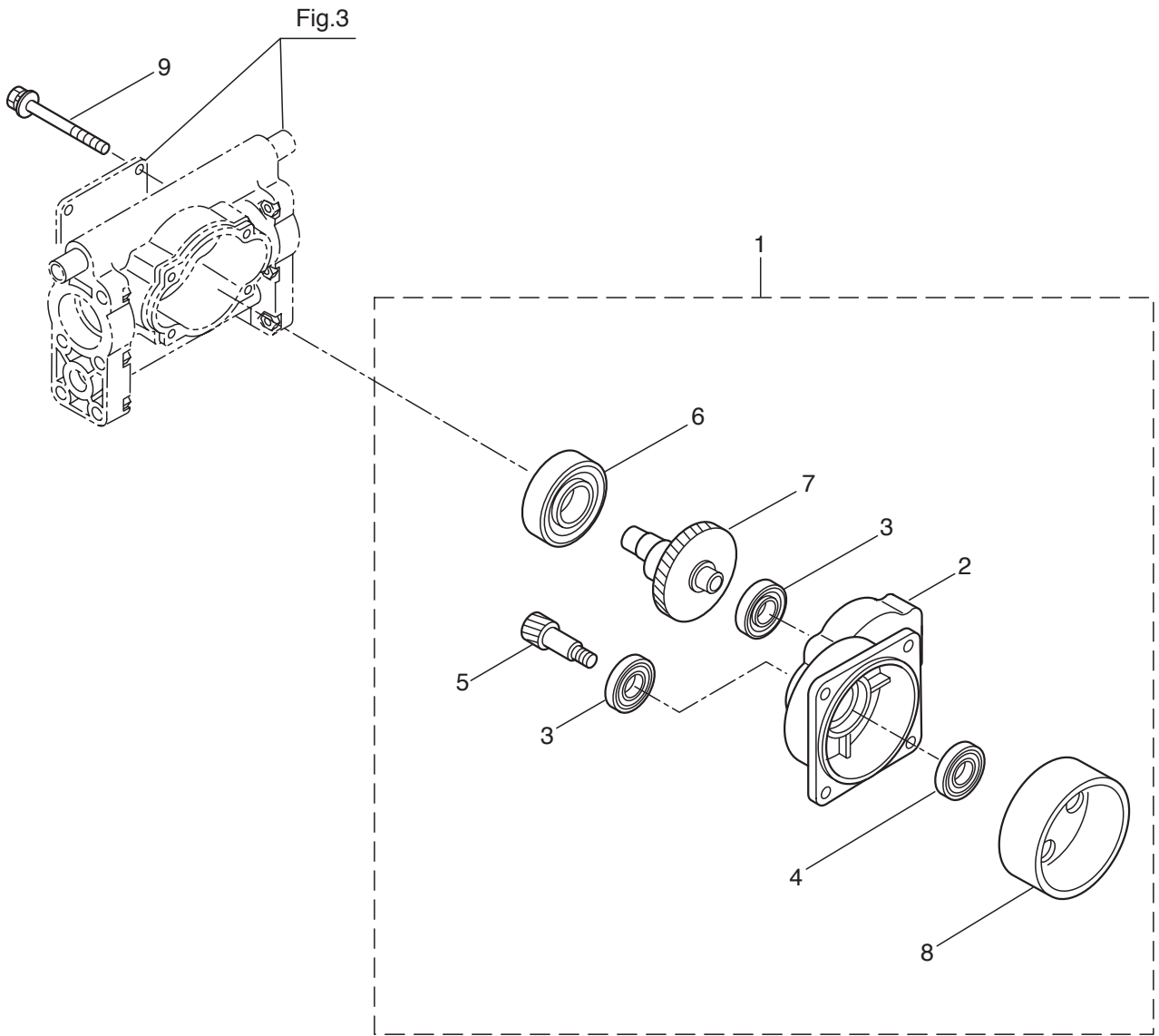
1. Read Operator's Manual carefully.
2. Do not operator when the tank is empty.
3. Use the strainer to fill the tank with chemical liquid.
4. Wash up inside pump after every day's spraying job by pumping fresh water so that residual chemicals are drain out through nozzle and drain hole. After cleaning, drain out remaining water completely.
5. For the long term storage, drain all water out of the tank, pump, hose and nozzle. Store in a dry, cool, and drak place. The equipment must be free from freezing as freeze may break pump.

Ref. No.	Part No.	Part Name	Q'ty	Remarks
2-1	119030	Chemical Tank	1	
2-2	106333	Cap	1	
2-3	029299	Packing	1	36XT3.0
2-4	122796	Cap, Chemical Tank	1	Incl.5,6
2-5	126668	Valve	1	
2-6	022362	Packing	1	150X170XT10
2-7	106330	Strainer	1	
2-8	128941	Label	1	MS0741
2-9	120675	Label	1	
2-10	122799	Label	1	
2-11	106067	Label	1	CAUTION

Ref. No.	Part No.	Part Name	Q'ty	Remarks
3-1	128933	Pump Ass'y	1	Incl.2~53,4-1~4-9
3-2	125673	Crankcase Ass'y	1	
3-3	102683	Oil Seal	2	G16244
3-4	106190	Collar	2	
3-5	121179	Connecting Rod	1	M5
3-6	125680	Sleeve	2	16X33
3-7	102358	Seal Retainer	2	
3-8	112252	Packing	2	
3-9	013977	O-Ring	2	S26
3-10	043426	Suction Valve Seat	2	5X17X2.8
3-11	100441	Piston Packing	2	20.5
3-12	023357	Suction Valve Collar	2	5X8X10
3-13	022023	Suction Valve Stopper	2	5X16X3
3-14	125681	Bolt	2	M5X50X22
3-15	015848	Spring Washer	2	M5
3-16	021549	O-Ring	2	P5
3-17	014175	O-Ring	4	P9
3-18	100554	Spacer pipe	2	6X12X10
3-19	103128	Cylinder Head(A)	1	
3-20	102634	Cylinder Head(B)	1	
3-21	013983	O-Ring	2	S31.5
3-22	125682	Cylinder Pipe	2	20X26X22
3-23	023172	O-Ring	2	P22
3-24	125683	Valve Seat	2	
3-25	103575	O-Ring	2	23X1.5
3-26	043723	Discharge Valve	2	16X1.5
3-27	043360	Discharge Valve Spring	2	
3-28	103132	Spring Case	1	
3-29	103758	Spring Retainer	1	
3-30	011682	O-Ring	1	P10
3-31	103759	Compression Coil Spring	1	
3-32	103747	Discharge Valve	1	
3-33	103746	Valve Seat	1	
3-34	011346	O-Ring	1	P14
3-35	011343	O-Ring	1	P10A
3-36	122144	Handle	1	
3-37	127225	Collar	1	8X10X5.3
3-38	127217	Washer	5	8.5X14XT0.5
3-39	126521	Nut	1	M8
3-40	127216	Washer	1	M8
3-41	121956	Screw	8	M5X32
3-42	816036	Screw	4	M5X60
3-43	125801	Plate	1	
3-44	128934	Hose Ass'y	1	Incl.45
3-45	128936	Tube	1	15.2X19.5X420

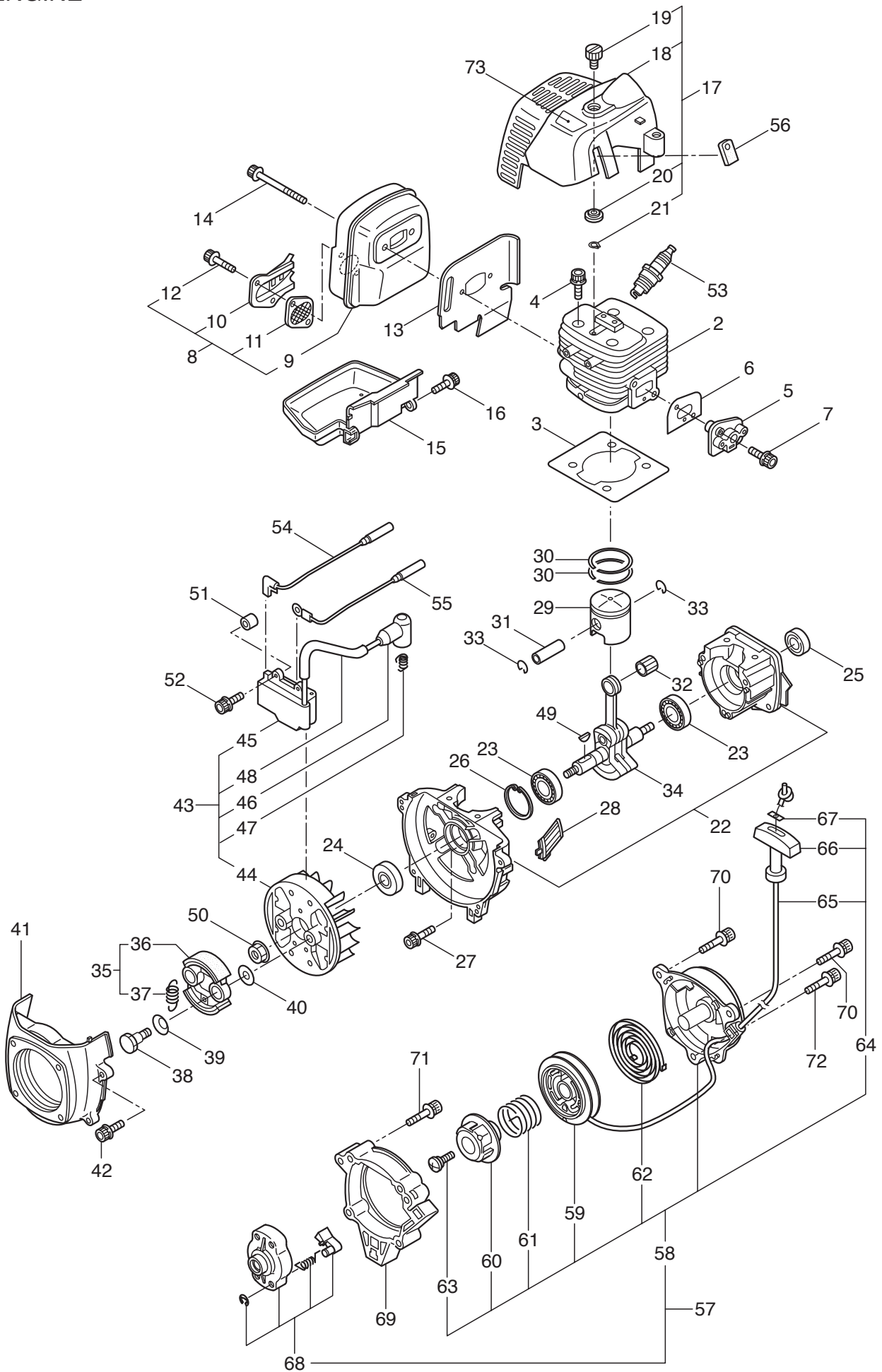
Ref. No.	Part No.	Part Name	Q'ty	Remarks
3-46	103033	Band	2	
3-47	128937	Hose Ass'y	1	Incl.48
3-48	128938	Tube	1	15.2X19.5X330
3-49	103033	Band	2	
3-50	129041	Plug	1	
3-51	021549	O-Ring	1	P5
3-52	129042	Cap	1	
3-53	043972	Band	1	

4. MS0741
REDUCTION GEAR



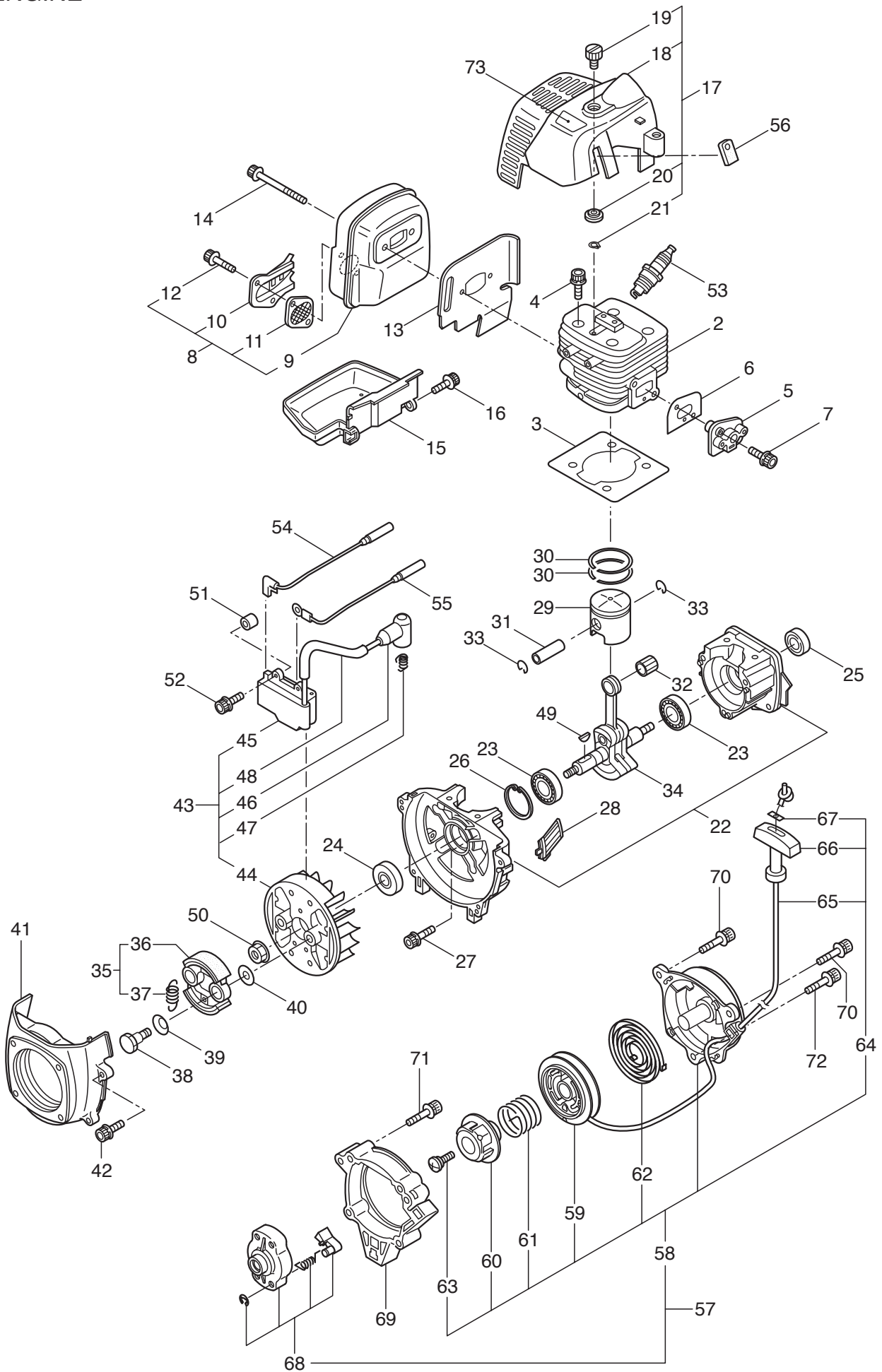
Ref. No.	Part No.	Part Name	Q'ty	Remarks
4-1	125684	Reduction Gear Ass'y	1	Incl.2-8
4-2	125685	Gear Case	1	
4-3	102680	Bearing	2	#6000ZZ
4-4	112184	Bearing	1	#6000DDU
4-5	125686	Pinion Gear	1	
4-6	103144	Bearing	1	#6004ZZ
4-7	125687	Crankshaft	1	
4-8	127367	Clutch Drum	1	
4-9	126059	Bolt	4	M6X60

5. MS0741
ENGINE



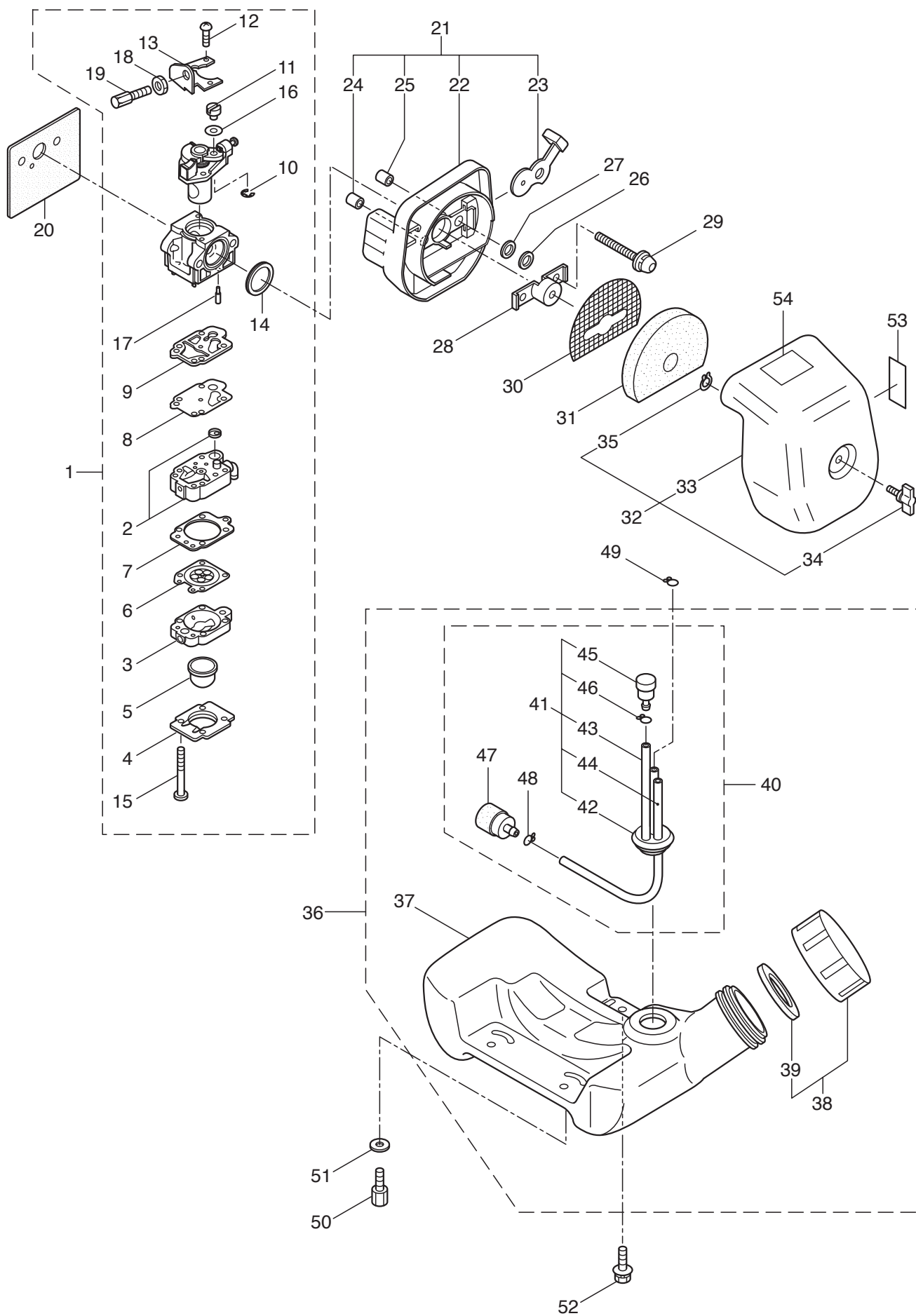
Ref. No.	Part No.	Part Name	Q'ty	Remarks
5-2	282400	Cylinder	1	New gasket required
5-3	282537	Gasket	1	
5-4	261250	Cap Screw	4	M5X20WSW
5-5	269144	Insulator	1	New gasket required
5-6	267049	Gasket	1	
5-7	265924	Cap Screw	2	M5X25WSW
5-8	283007	Muffler Ass'y	1	Incl.9-12
5-9	283003	Muffler Comp.	1	
5-10	268171	Muffler Tail	1	
5-11	267056	Spark Arrestor	1	
5-12	265107	Cap Screw	2	M4X10
5-13	281440	Gasket	1	
5-14	266402	Screw	2	M5X55
5-15	281435	Under Cover	1	
5-16	267191	Screw	1	M5X16WSW
5-17	281742	Top Cover Ass'y	1	Incl.18-21
5-18	281434	Top Cover	1	
5-19	261018	Knob	1	
5-20	261020	Spacer	1	
5-21	261734	Snap Ring	1	#5
5-22	268241	Crankcase	1	
5-23	261491	Bearing	2	#6001 C3
5-24	261492	Oil Seal	1	ISCD12287
5-25	261386	Oil Seal	1	ISCD12227
5-26	055185	Snap Ring	1	#28
5-27	261612	Cap Screw	3	M5X30WSW
5-28	281442	Screen	1	
5-29	268782	Piston	1	
5-30	265067	Piston Ring	2	(2)Required
5-31	265068	Piston Pin	1	
5-32	265225	Bearing, Needle	1	
5-33	261393	Clip, Piston	2	
5-34	265141	Crankshaft/Conn. Rod Ass'y	1	
5-35	264887	Clutch Ass'y	1	Incl.36,37
5-36	264888	Clutch Shoe	2	(2)Required
5-37	264889	Spring, Clutch	1	
5-38	264505	Bolt	2	
5-39	261777	Wave Washer	2	
5-40	261189	Washer	2	6X16.5XT1.2
5-41	281433	Fan Cover	1	
5-42	261250	Cap Screw	4	M5X20WSW
5-43	281745	Magneto Ass'y	1	Incl.44-48
5-44	269807	Rotor/Fan	1	
5-45	281746	Ignition Coil Ass'y	1	Incl.46-48

5. MS0741
ENGINE



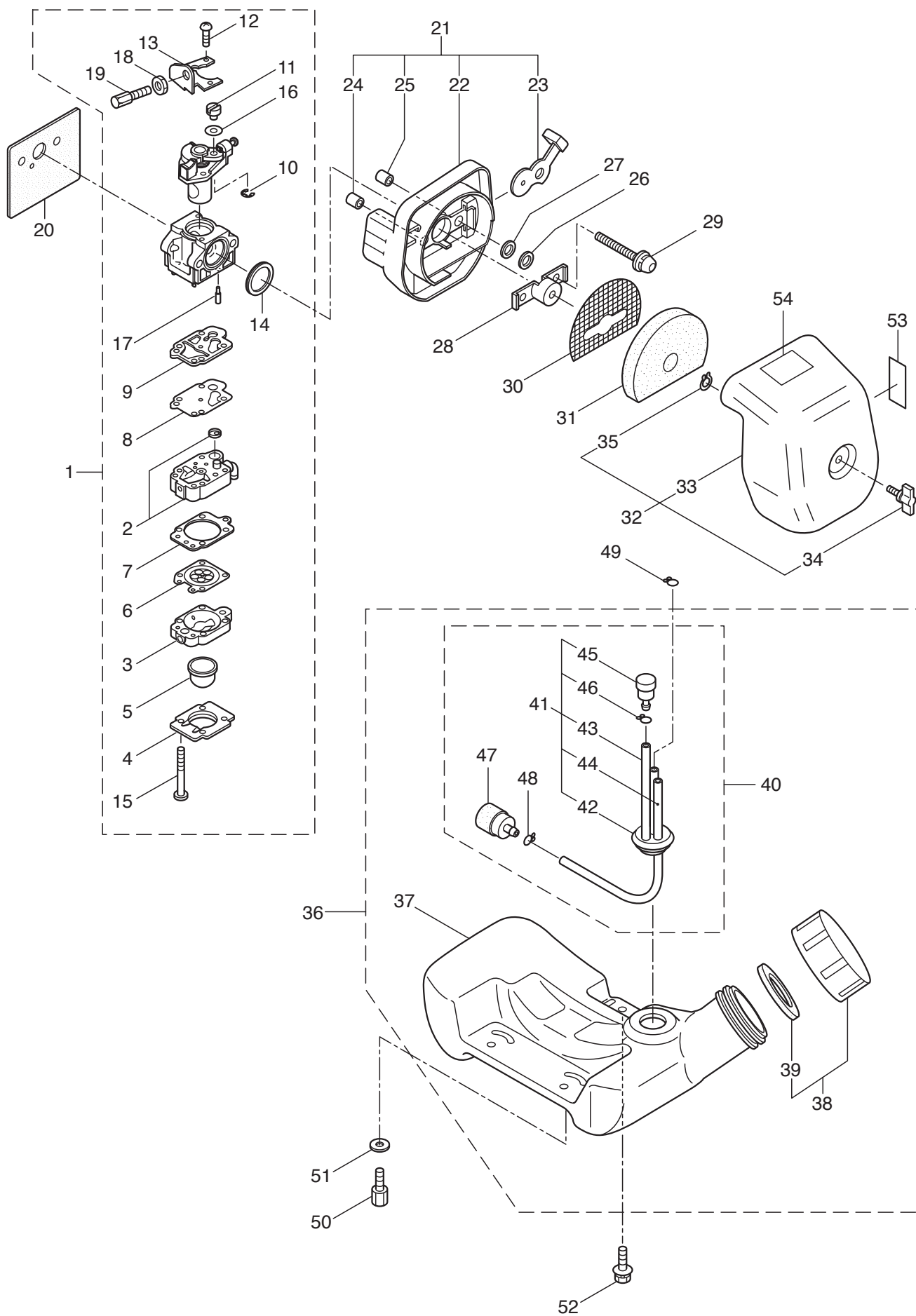
Ref. No.	Part No.	Part Name	Q'ty	Remarks
5-46	269714	Plug Boot	1	
5-47	269715	Connector	1	
5-48	281756	Insulator	1	
5-49	261076	Woodruff Key	1	3X10
5-50	261417	Nut, Rotor	1	M8
5-51	280381	Spacer	2	
5-52	261256	Cap Screw	2	M4X25WSW
5-53	261200	Spark Plug	1	BPM6Y
5-54	269722	Lead	1	
5-55	268044	Lead	1	
5-56	269189	Grommet	1	
5-57	283476	Recoil Starter Ass'y	1	Incl.58-68
5-58	283477	Recoil Ass'y	1	Incl.59-67
5-59	283504	Reel	1	
5-60	283505	Cam Plate	1	
5-61	283506	Spring	1	
5-62	280931	Spiral Spring	1	
5-63	267213	Set Screw	1	
5-64	283578	Starter Rope Ass'y	1	Incl.65-67
5-65	283579	Starter Rope	1	
5-66	261725	Starter Knob	1	
5-67	283511	Rope Stopper	1	
5-68	283575	Starter Pawl Ass'y	1	
5-69	284698	Adapter Ass'y	1	
5-70	283391	Cap Screw	2	M4X20WSW
5-71	265726	Cap Screw	4	M4X16WSW
5-72	282096	Screw	1	M4X16
5-73	282558	Label	1	

6. MS0741
 CARBURETOR, FUEL TANK



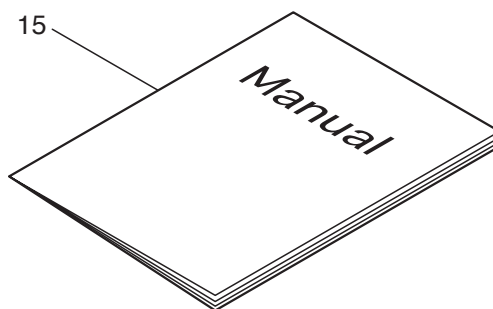
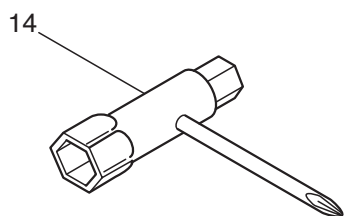
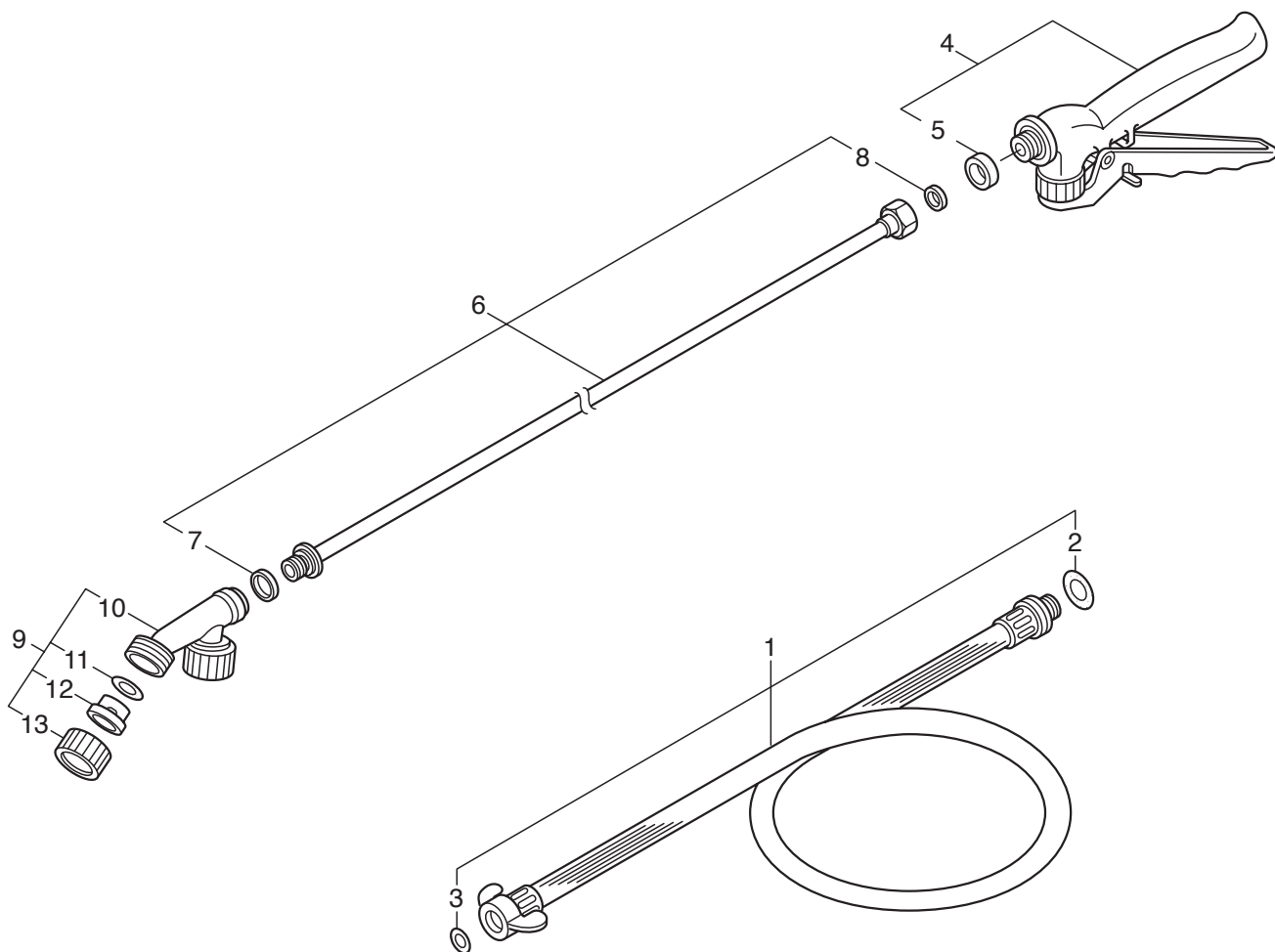
Ref. No.	Part No.	Part Name	Q'ty	Remarks
6-1	282542	Carburetor Ass'y	1	Incl.2-19
6-2	264155	Pump Body	1	
6-3	262991	Purge Body	1	
6-4	262992	Cover Plate	1	
6-5	261874	Primer Bulb	1	
6-6	283905	Diaphragm, Meterring	1	
6-7	262993	Gasket	1	
6-8	262994	Diaphragm, Fuel Pump	1	
6-9	282576	Gasket	1	
6-10	261876	E-ring	1	
6-11	261658	Swivel	1	
6-12	261875	Screw	2	
6-13	264677	Bracket	1	
6-14	261657	Packing	1	
6-15	262996	Screw	4	
6-16	264678	Washer	1	
6-17	282753	Needle	1	
6-18	261878	Nut	1	M6
6-19	263994	Screw	1	
6-20	269762	Gasket	1	
6-21	268055	Case Ass'y	1	Incl.22-25
6-22	268056	Case Body	1	
6-23	268057	Valve	1	
6-24	268157	Sleeve	1	5.5X7.1X6
6-25	268412	Sleeve	1	5.2X7.1X6.4
6-26	263345	Packing	1	7.2X11XT1.3
6-27	263942	Washer	1	7.2X12XT0.15
6-28	263815	Stay	1	
6-29	264016	Cap Screw	2	M5X60WSW
6-30	265026	Screen	1	
6-31	265027	Element	1	
6-32	268058	Cleaner Cover Ass'y	1	Incl.33-35
6-33	268059	Cleaner Cover	1	
6-34	281438	Knob	1	
6-35	261734	Snap Ring	1	#5
6-36	285227	Fuel Tank Ass'y	1	Incl.37-48
6-37	285224	Fuel Tank	1	
6-38	281565	Fuel Tank Cap Ass'y	1	Incl.39
6-39	269377	Gasket	1	
6-40	282538	Fuel Pipe Pick-up Ass'y	1	Incl.41-48
6-41	282539	Fuel Pipe Ass'y	1	Incl.42-46
6-42	268065	Grommet	1	
6-43	282541	Return Pipe	1	3X6X151
6-44	261690	Fuel Pipe	1	160L
6-45	261590	Breather Ass'y	1	

6. MS0741
 CARBURETOR, FUEL TANK



Ref. No.	Part No.	Part Name	Q'ty	Remarks
6-46	261117	Clip	1	
6-47	264653	Filter Ass'y	1	
6-48	261117	Clip	1	
6-49	261117	Clip	1	
6-50	285065	Screw	2	M5
6-51	283688	Washer	2	5.5X12X1.6
6-52	284695	Screw	1	M5X18WSW
6-53	261352	Label	1	
6-54	285188	Label	1	

7. MS0741
ACCESSORIES



Ref. No.	Part No.	Part Name	Q'ty	Remarks
7-1	118270	Hose Ass'y	1	7.5X1200L Incl.2,3
7-2	013572	Packing	1	11.5X16XT1.5
7-3	074369	Packing	1	6.5X11.5X1.5T
7-4	112852	Lever Cock	1	Incl.5
7-5	112850	Packing	1	11.5X15.5XT1.5
7-6	124042	Nozzle Pipe Ass'y	1	Incl.7,8
7-7	112850	Packing	1	11.5X15.5XT1.5
7-8	119218	Packing	1	11X7XT2
7-9	117958	Wide Nozzle Ass'y	1	Incl.10-13
7-10	103170	Nozzle Pipe	1	
7-11	103171	Packing	2	
7-12	118266	Nozzle Plate	2	
7-13	103173	Cap	2	
7-14	127099	Box Wrench	1	13X19X(+)
7-15	128943	Instruction Manual	1	MS0741



Maruyama U.S., Inc.
3570 Shelby Lane
Denton, TX 76207
940-383-7400 voice
940-383-7466 fax

www.maruyama-us.com