



301 – 30th Street NE, Suite 118, Auburn, WA 98002
PO Box 309, Auburn, WA 98071-0309
Phone (253) 735-7368 Fax (253) 735-1416

ILLUSTRATED PARTS LIST

MODEL: MI3A

SOIL INJECTOR

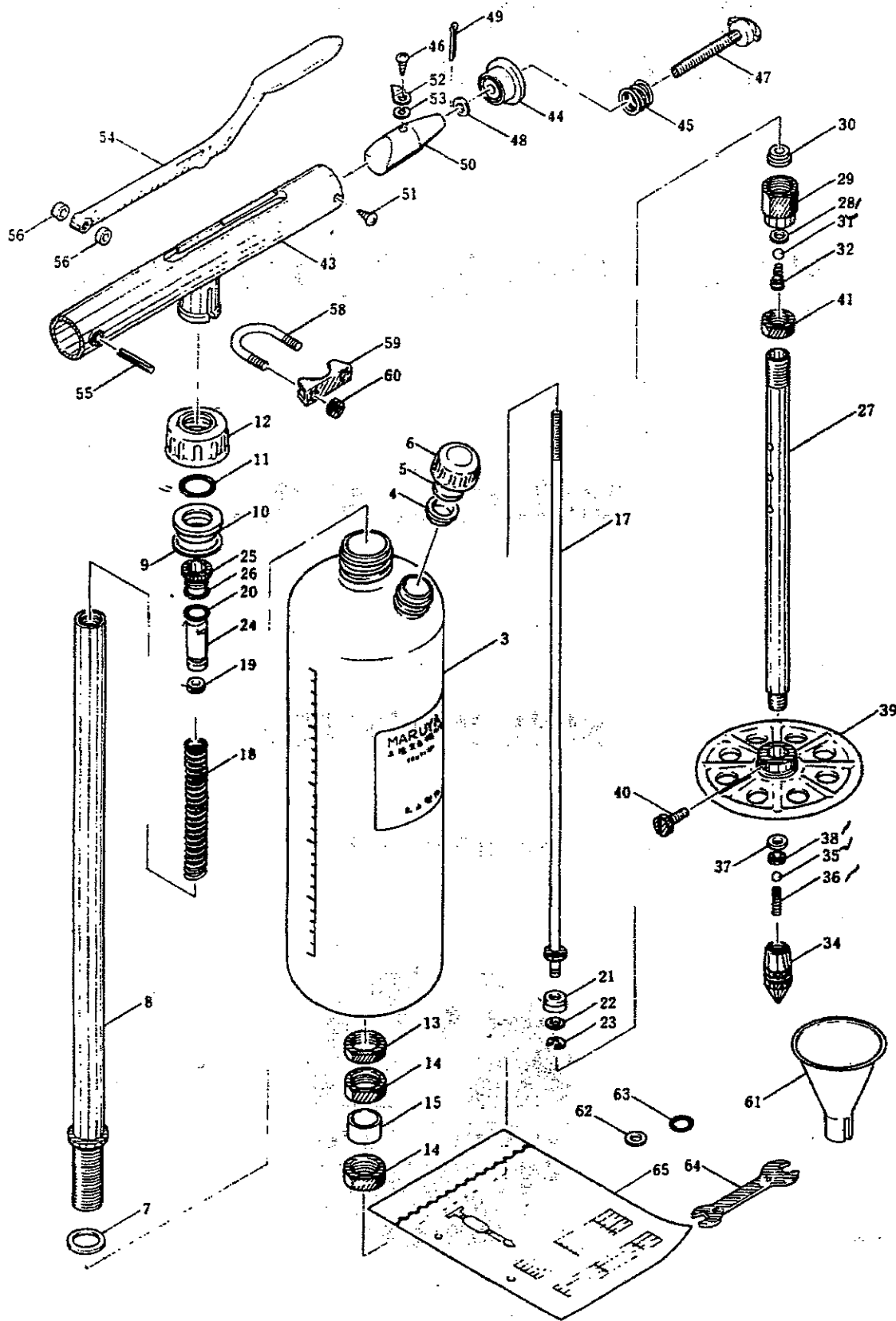
Effective 6-20-93



PARTS LIST

MODEL M13A

1. MAIN BODY, ACCESSORIES



MARUYAMA U.S., INC.

Ref.No.	Parts No.	Parts Name	Q'ty	Ref.No.	Parts No.	Parts Name	Q'ty
1-1	325123	M1 3A	1	1-41	143410	Nut (M14XP1)	1
1-2	021801	Tank, ass'y	1	1-42	021828	Handle, ass'y	1
1-3	021803	Tank	1	1-43	074290	Handle	1
1-4	014340	Inner cap	1	1-44	074288	Handle lid	1
1-5	013895	Blind packing (φ25Xt2)	1	1-45	074289	Injection adjust spring	1
1-6	014339	Water inlet cap	1	1-46	082681	Screw (M3X10)	2
1-7	013579	Packing (φ19.8Xφ28Xt2)	1	1-47	021831	Injection adjust screw	1
1-8	021805	Cylinder	1	1-48	022981	Washer (φ6.5Xφ15Xt2)	1
1-9	014799	Packing (φ27.5Xφ33Xt2)	1	1-49	101721	Cotter pin (φ2X12L)	1
1-10	021811	Bush	1	1-50	143414	Cotter	1
1-11	015855	O-ring (P20)	1	1-51	082681	Screw (M3X10)	1
1-12	021810	Tank cap	1	1-52	074270	Indicator	1
1-13	021813	Nut	1	1-53	015839	Spring washer (M3)	1
1-14	143409	Nut (M20XP1)	2	1-54	021835	Injection lever	1
1-15	143411	Cover	1	1-55	143408	Spring pin (φ5X40L)	1
1-16	021816	Piston, ass'y	1	1-56	021847	Bushing (φ5Xφ10X4L)	2
1-17	022812	Piston	1	1-57	021837	Band, ass'y	1
1-18	014324	Return spring	1	1-58	021838	Band	1
1-19	081170	Nut (M6)	1	1-59	021839	Band seat	1
1-20	014186	O-ring (P10)	1	1-60	081030	Nut (M6)	2
1-21	017317	Piston packing	1	1-61	021841	Funnel	1
1-22	060405	Washer (φ6.5Xφ11.5Xt0.5)	1	1-62	060294	Packing (φ8Xφ11.5Xt2)	1
1-23	026368	E-shaped snap ring (φ4)	1	1-63	014186	O-ring (P10)	1
1-24	021818	Piston, guide	1	1-64	020648	Double-ended spanner (9X10)	1
1-25	021819	Cylinder top male fitting	1	1-65	143994	Instruction manual	1
1-26	011345	O-ring (P12)	1				
1-27	142002	Nozzle pipe	1				
1-28	142000	Packing (φ8Xφ13Xt2)	1				
1-29	142001	Cylinder joint	1				
1-30	021820	Cylinder top packing	1				
1-31	011495	Valve ball (1/4")	1				
1-32	014345	Valve spring	1				
1-33	021822	Nozzle, ass'y	1				
1-34	017322	Nozzle	1				
1-35	011495	Valve ball (1/4")	1				
1-36	017321	Valve spring	1				
1-37	060294	Packing (φ8Xφ11.5Xt2)	1				
1-38	017320	Valve seat	1				
1-39	021825	Adjust plate	1				
1-40	089759	Bolt (M6X10)	1				



Maruyama U.S., Inc.
3570 Shelby Lane
Denton, TX 76207
940-383-7400 voice
940-383-7466 fax

www.maruyama-us.com