

# PARTS LIST

MD3015

## CONTENTS

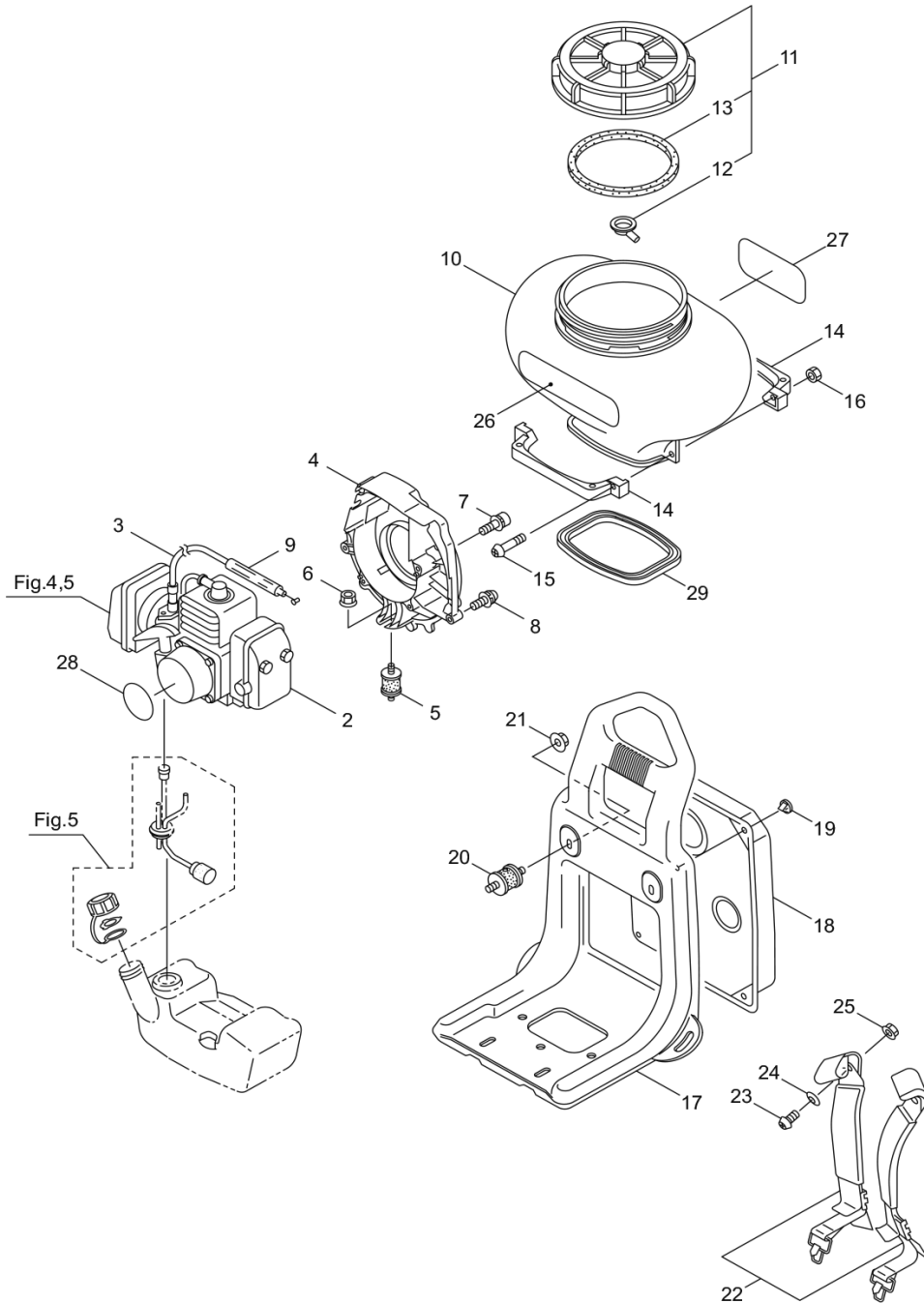
1. CHEMICAL TANK, FRAME .....	1 ~ 2
2. FAN CASE, LEVER, SHUTTER .....	3 ~ 6
3. ENGINE (Cylinder, Crankcase).....	7 ~ 10
4. ENGINE (Carburetor, Fuel Tank) .....	11 ~ 14
5. ACCESSORIES .....	15 ~ 16
6. OPTIONAL PARTS (Mist Attachment) .....	17 ~ 18
7. OPTIONAL PARTS (Throttle Lever) .....	19 ~ 20

2018. 02.



P/N 524077-1

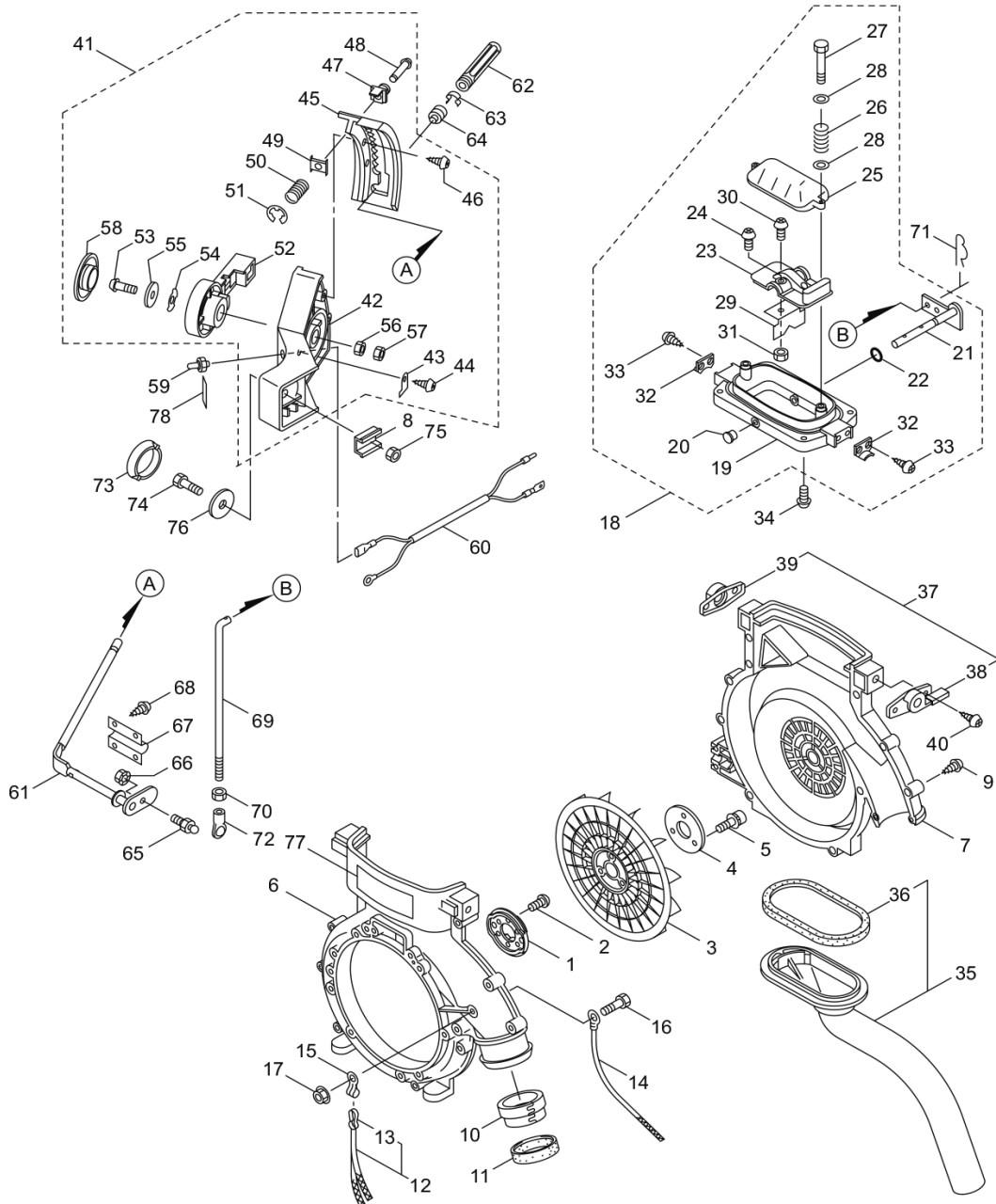
1. MD3015  
CHEMICAL TANK, FRAME



Status	Position	Parts Number	Parts Name	Unit Quantity	Set Unit Quantity	Specification	Remarks	Maker code
--------	----------	--------------	------------	---------------	-------------------	---------------	---------	------------

Status	Position	Parts Number	Parts Name	Unit Quantity	Set Unit Quantity	Specification	Remarks	Maker code
	1	352800	MD3015(MUS)	1				
	2	859810		1			CE300/05	
	3	289067	CABLE COMPLETE	1		OUT367/IN75		
	4	130895	FRANGE	1		クワ		
	5	101877	BUFFER	1		30-M6X14		
	6	100234	NUT	1	5	M6 トクシユ	M6	
	7	125420	BOLT	4		M5X35(W12XT2)	M5x35	
	8	092005	SCREW	5	10	M5X15(SMK)	5x15	
	9	069502	VINYL HOSE	1		7X9X130	7x9x130L	
	10	107698	CHEMICAL TANK	1		15L ナチユラル(ハントウメイ)	15L	
	11	092206	CHEMICAL TANK LID	1		MD510	Incl.12,13	
	12	101915	INNER CAP	1				
	13	103194	PACKING	1		MD220		
	14	112189	BRACKET	2				
	15	088345	SCREW	2	5	M6X30	M6x30	
	16	081241	HEX NUT	2	5	081240ニトウイツ	M6	
	17	110509	KNAPSACK FRAME ASSY	1				
×	18	130221	CUSHION PAD	1		DUSTER		
	19	100749	FASTNER	4	5	ヨビ 7	#7	
	20	101877	BUFFER	2		30-M6X14		
	21	127228	NUT	3	10	M6(サ カ ネカイ18)	M6	
	22	127089	BAND ASSY	1		クワ		
	23	123370	SCREW	2	5	M6X20	M6x20	
	24	127224	WASHER	2	5	6X23XT1.6	6x23xt1.6	
	25	127237	NUT	2	5	M6(サ カ ネ25XT1.6)	M6	
	26	275709		1		MD3015(MUS)	MD3015	
	27	120716	LABEL	1		シヤツタリアツカイ		
	28	275105	LABEL	1		MM300		
	29	107888	PACKING	1				

2. MD3015  
FAN CASE, LEVER, SHUTTER

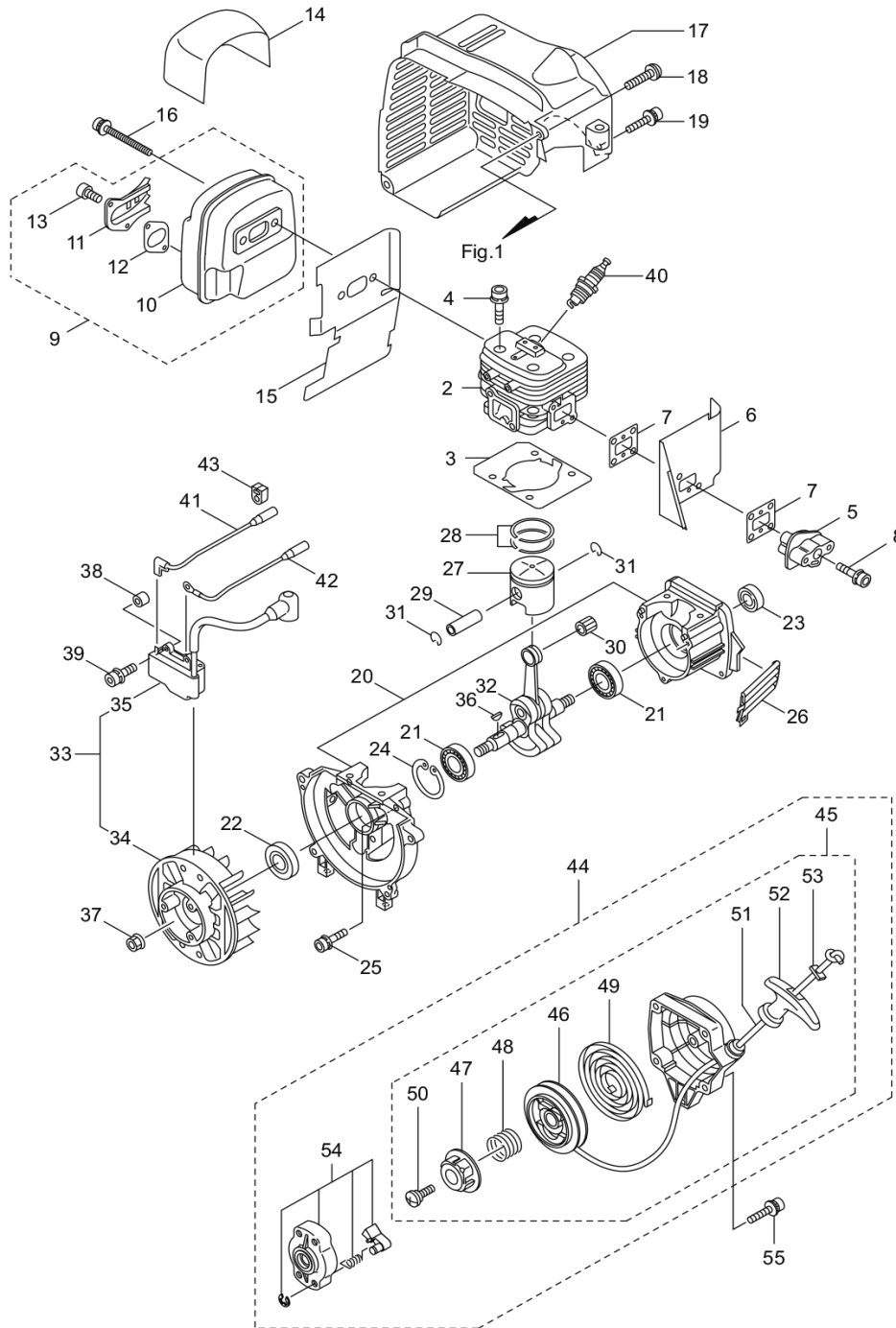


Status	Position	Parts Number	Parts Name	Unit Quantity	Set Unit Quantity	Specification	Remarks	Maker code
--------	----------	--------------	------------	---------------	-------------------	---------------	---------	------------

Status	Position	Parts Number	Parts Name	Unit Quantity	Set Unit Quantity	Specification	Remarks	Maker code
	1	130053	ADAPTER	1				
	2	130245	BOLT	3		M6X15	M6x15	
	3	110466	FAN	1				
	4	118248	S.S.DOUGHNUT PLATE	1				
	5	127528	BOLT	3	5	M6X30	M6x30	
	6	130788	FAN CASE(E)	1		ﾌｶ		
	7	118521	FAN CASE(FRAME SIDE)	1		ﾌｶ		
	8	128217	WASHER	1				
	9	130420	TAPPING SCREW	10		IBﾀｲﾄ M5X25	M5x25	
	10	118561	COLLAR	1				
	11	118562	BAND	1				
	12	130214	EARTH TAPE	1			Incl.13	
	13	107097	HOOK	1				
	14	100757	EARTH CHAIN	1				
	15	101608	CLAMP	1	5			
	16	082068	BOLT	1	10	M5X16	M5x16	
	17	127226	FLANGE NUT	1	10	M5	M5	
	18	116267	SHUTTER ASSY	1			Incl.19-33	
	19	110514	SHUTTER CASE	1				
	20	110853	CAP	1	5	10X16		
	21	110854	SHAFT	1				
	22	022056	O-RING SLEEVE	1	5	P7	P7	
	23	116268	SHUTTER COMPLETE	1				
	24	088313	SCREW M4X10	2	10	M4X10	M4x10	
	25	102078	SHUTTER COVER	1		ﾅﾁｬｰﾙ(ｼﾝ)		
	26	107621	SPRING	2	5	1.0-21.5L		
	27	089036	BOLT	2	5	M5X0.8X35X8	M5x0.8x35x8	
	28	107745	WASHER	4	10	5.5X12XT0.8	5.5x12xt0.8	
	29	112618	GUIDE PLATE	1				
	30	088326	SCREW	1	10	M5X12	M5x12	
	31	107746	NYLON NUT	1	5	M5 2ｼﾞ	M5	
	32	110313	HOOK	2				
	33	089663	SCREW	4	10	ﾀﾞｲﾅﾐｯｸ M5X15	M5x15	
	34	088345	SCREW	4	5	M6X30	M6x30	
	35	112734	DISCHARGE PORT ASSY	1			Incl.36	
	36	108016	PACKING	1				
	37	598459	CRESCENT SET	1			Incl.38,39	
	38	117712	CRESENT (R.H.) ASSY	1		ﾐｷ		
	39	117713	CRESENT (L.H.) ASSY	1		ﾋﾀﾞﾘ		
	40	089826	TAPPING SCREW	4	5	ﾈﾊﾞｼﾞ M6X15	M6x15	
	41	130026	LEVER ASSY	1		MDJ8000	Incl.42-58	
	42	120708	DIAL PLATE RETAINER	1		ｸﾞﾚｰ		
	43	128214	PLATE	1				
	44	128195	TAPPING SCREW	1	10	ﾈﾊﾞ 2ｼﾞ M4X8	M4x8	
	45	120888	DIAL PLATE	1				
	46	128196	TAPPING SCREW	2	10	ﾈﾊﾞ 2ｼﾞ M5X14	M5x14	
	47	111232	STOPPER	1		ﾌｶ(5R4/14)		
	48	127848	PIN	1		4.5X38.2L	4.5x38.2L	
	49	111233	PLATE	1		ﾌｶ(5R4/14)		
	50	128215	SPRING	1	5	0.8-9L		
	51	026368	E-RING	1	5	ｺﾋﾞ 4		
	52	110648	THROTTLE LEVER	1				
	53	081457	SCREW	1	5	M6X25(ISO)	M6x25	
	54	111156	WASHER	1	5	WW-16	WW-16	
	55	013512	WASHER	1	5	6.5X25XT2.3	6.5x25xt2.3	
	56	100234	NUT	1	5	M6 ﾏｸｼﾞ	M6	
	57	127218	NUT	1	10	M6 3ｼﾞ	M6	
	58	110730	CAP	1	5			
△	59	117623	SWITCH	1		107131ﾄﾞﾅｼﾞ		
	60	130243	LEAD WIRE ASSY	1		MDJ4000		
	61	130798	SHUTTER LEVER	1				
	62	100632	KNOB	1		ﾌﾞｯﾀｰ		
	63	100633	SNAP	1				

Status	Position	Parts Number	Parts Name	Unit Quantity	Set Unit Quantity	Specification	Remarks	Maker code
	64	100726	RUBBER CAP	1	5			
	65	109606	MALE UNIVERSAL JOINT	1				
	66	126756	FLANGE NUT	1	5	M6	M6	
	67	112965	LEVER RETAINER	1				
	68	128196	TAPPING SCREW	4	10	ナベ 2ｼｺ M5X14	M5x14	
	69	111092	ROD	1		M6X235L	M6x235L	
	70	127298	NUT M6	1	5	M6 2ｼｺ	M6	
	71	107609	SNAP PIN	1	5	6Xセンケｲ1.8		
	72	020584	FEMALE UNIVERSAL JOINT	1		ナチｺﾞﾙ(ｼｺ)		
	73	110729	CAP	1	5			
	74	128213	SCREW HEX	1	5	M8X25	M8x25	
	75	126990	NUT	1	5	M8 2ｼｺ	M8	
	76	128212	WASHER	1	5	8.5X30XT2.3	8.5x30xT2.3	
	77	126715	LABLE	1		PLｺｰｼﾞヨﾝ		
	78	120793	LABEL	1		ON OFF	ON,OFF	

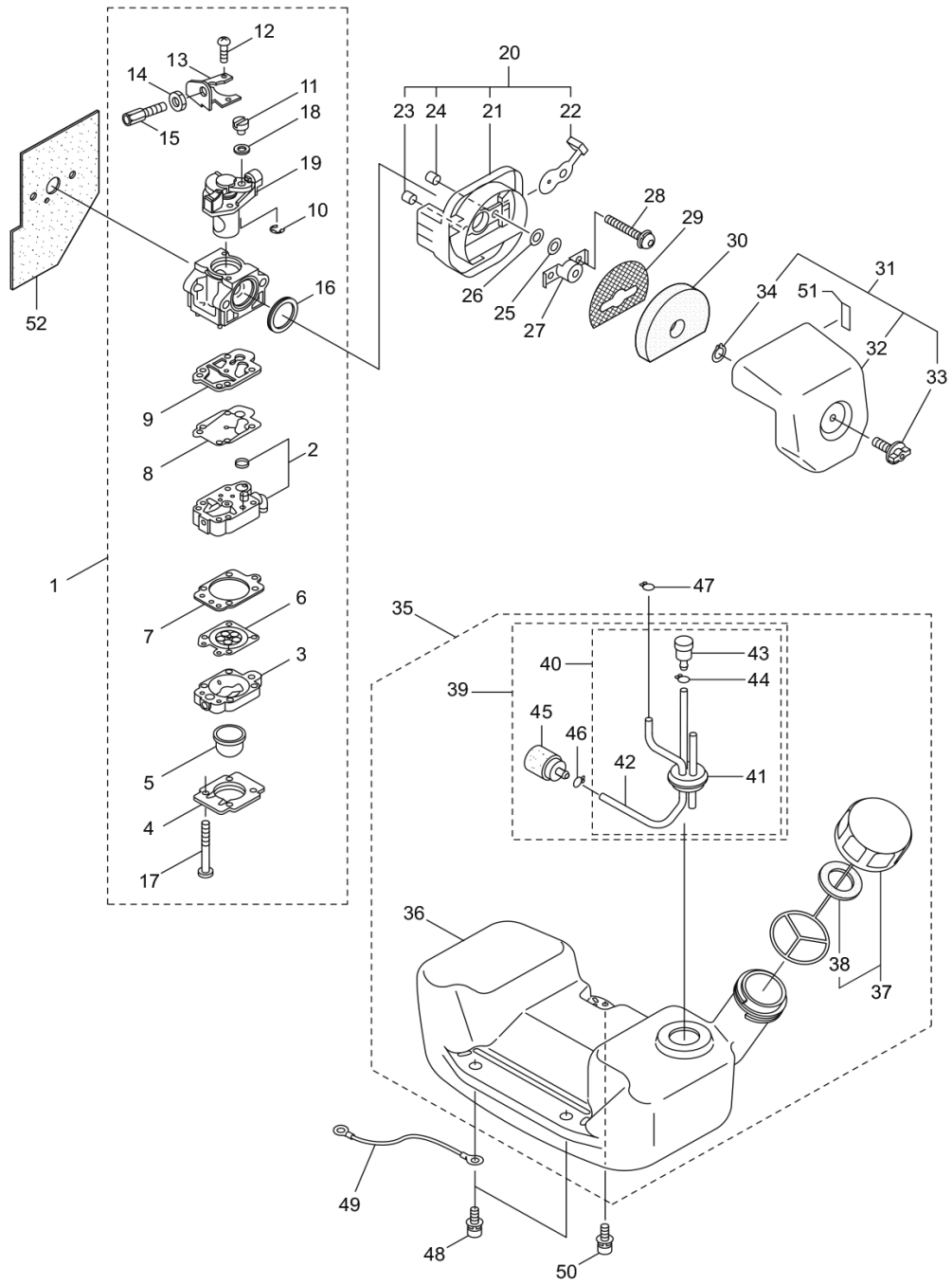
3. MD3015  
ENGINE (Cylinder, Crankcase)



Status	Position	Parts Number	Parts Name	Unit Quantity	Set Unit Quantity	Specification	Remarks	Maker code
	1	859810		1			CE300/05	
	2	286791	CYLINDER	1		TIER3 カセツト		
	3	286846	GASKET	1		30CC/T1.0		
	4	261250	CAP SCREW	4	5	M5X20	M5x20	
	5	282579	INSULATOR	1		BL300		
	6	281590	PLATE	1		アルスター		
	7	261171	GASKET	2	5			
	8	265924	CAP SCREW	2	5	M5X25WSW+オ	M5x25	
	9	288182		1			Incl.10-13	
	10	288180	MUFFLER COMPLETE	1				
	11	268171	MUFFLER TAIL	1				
	12	287254		1	5	CE アミナシ		
	13	265107	CAP SCREW	2	5	M4X10	M4x10	
	14	268461	HOLDER	1				
	15	281589	MUFFLER GASKET	1				
	16	266402	CAP SCREW	2	5	M5X557ランジ	M5x55	
	17	289293	TOP COVER	1		クワ		
	18	122095	SCREW	2		ナベ M5X20 Pタ付	M5x20	
	19	265724	BOLT	2	5	M4X25(W.SW)	M4x25	
	20	286851	CRANK CASE	1		CE300		
	21	280488	BEARING 6001C3	2		6001 C3リベ ット	PPL 6001	
	22	261492	OIL SEAL	1		ISCD12287グリス ナシ	ISCD12287	
	23	261386	OIL SEAL	1		ISCD12227グリス ナシ	ISCD12227	
	24	055185	SNAP RING #28	1	5	アサヨウ28	#28	
	25	261612	CAP SCREW	3		M5X30	M5x30	
	26	281442	AIR INTAKE GRILLE BLACK)	1		クワ		
	27	283380	PISTON	1		CE300		
	28	265067	PISTON RING	2			(2)Required	
	29	265068	PISTON PIN	1		7X10X30.5L		
	30	265225	NEEDLE BEARING KTV101413EGX02B	1				
	31	261393	CLIP	2				
	32	265141	CRANK SHAFT COMPLETE	1				
	33	287004	MAGNETO ASSY	1		WB MBJ-47	Incl.34,35	
	34	286889	ROTOR/FAN	1				
	35	282010	IGNITION COIL ASSY	1		WB MBU-15		
	36	261076	WOODRUFF KEY 3X10	1	5	Aシロ 3X10	3x10	
	37	261417	NUT ROTOR M8	1	5	M8	M8	
	38	280381	SPACER	2	5			
	39	261256	BOLT	2	5	M4X25	M4x25	
	40	285982	SPARK PLUG(BPM8Y)	1		NGK BPM8Y	NGK BPM8Y	
	41	281864	LEAD	1		205ハダHCBH		
	42	282087	LEAD	1		175M4 CBH		
	43	281172	GROMMET	1		クワ(N1.5)		
	44	283039	RECOIL STARTER ASSY	1		A10008172100	Incl.45-54	
	45	283502	STARTER ASSY	1		BL300	Incl.46-53	
	46	283504	REEL	1		A54108170001		
	47	283505	CAM PLATE	1		A54308130201		
	48	283506	DUMPER SPRING	1		A52408170300		
	49	283507	SPIRAL SPRING	1		A60002600100		
	50	267213	SCREW	1				
	51	283509	STARTER ROPE	1		A57100930070		
	52	283510	STARTER KNOB	1		A57207300000		
	53	283511	ROPE STOPPER	1		A57302611810		
	54	280934	STARTER PULLEY ASSY	1				
	55	265724	BOLT	2	5	M4X25(W.SW)	M4x25	

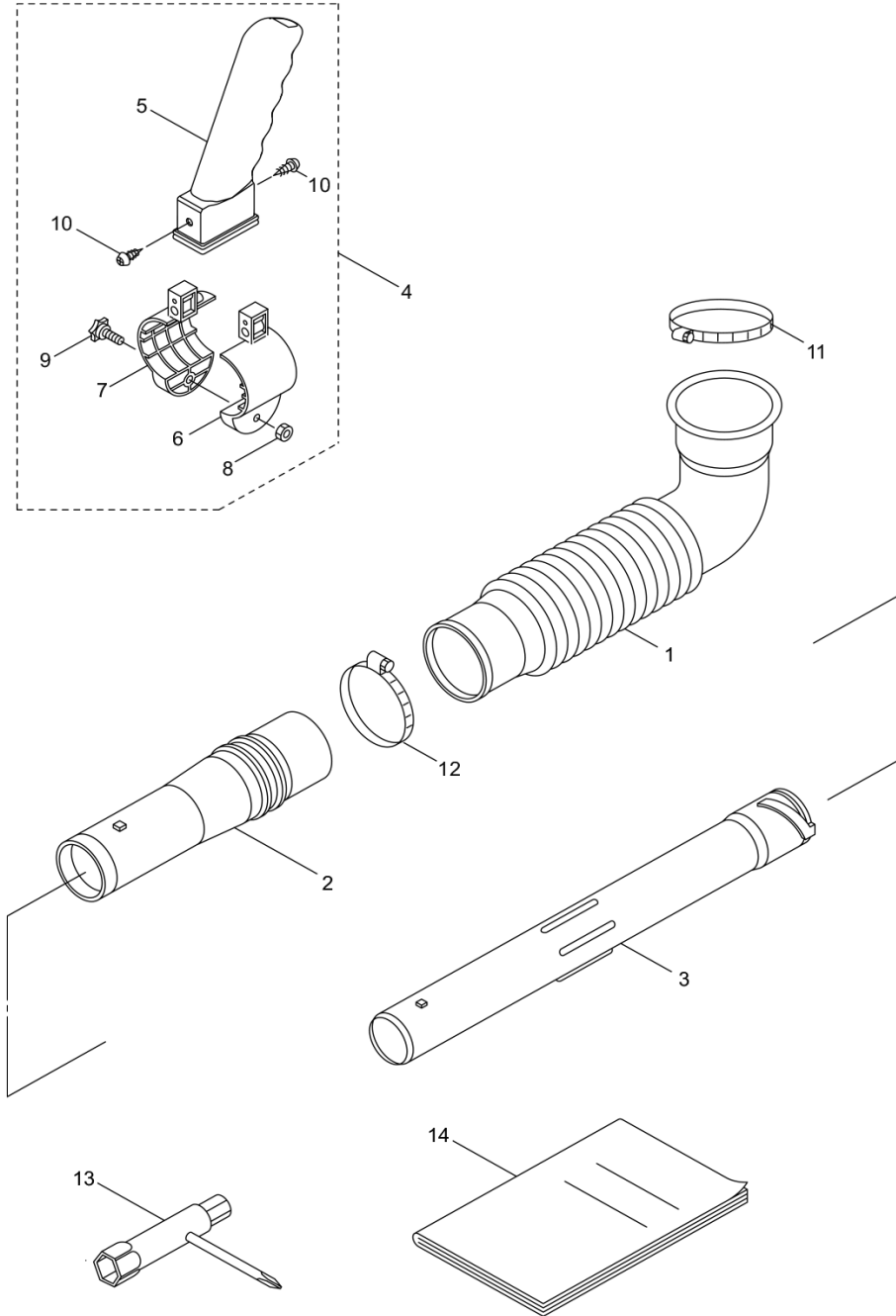


4. MD3015  
ENGINE (Carburetor, Fuel Tank)



Status	Position	Parts Number	Parts Name	Unit Quantity	Set Unit Quantity	Specification	Remarks	Maker code
	1	288263	CARBURETOR ASSY	1		WYK242Aセツトスクリュ	Incl.2-19 New gasket required	
	2	264155	CARBURETOR BODY	1		WB5-2582		
	3	262991	PURGE BODY	1		WB5-2557		
	4	262992	COVER	1		WB21-3147		
	5	261874	PRIMER	1		WB188-12		
	6	283905	DIAPHRAGM METERRING	1		WB95-614		
	7	262993	GASKET	1		WB92-359		
	8	262994	DIAPHRAGM	1		WB95-99		
	9	282576	GASKET	1		WB92-415		
	10	261876	RING	1		WB16-71		
	11	261658	SWIVEL	1		WB52-34		
	12	261875	SCREW	2		WB96-323		
	13	264677	BRACKET	1		WB167-143		
	14	261878	NUT	1	5	M6 3ｼﾞ		
	15	261877	SCREW	1		WB96-412		
	16	261657	PACKING	1		WB16-171		
	17	262996	SCREW	4	5	WB96-425		
	18	264678	WASHER	1	5	WB136-221		
	19	264985	THROTTLE ASSY	1		WB34-690		
	20	268055	AIR FILTER HOUSING ASSY	1			Incl.21-24	
	21	268056	AIR FILTER CASE	1		ﾁｮｰﾌﾀｲﾌﾞ		
	22	268057	MACHINED DISC	1				
	23	268157	SLEEVE	1		5.5X7.1X6	5.5x7.1x6L	
	24	268412	SLEEVE	1		5.2X7.1X6.4	5.5x7.1x6.4L	
	25	263345	PACKING	1	5	7.2X11XT1.3	7.2x11xt1.3	
	26	263942	WASHER	1	5	7.2X12XT0.15	7.2x12xt0.15	
	27	263815	STAY	1				
	28	264016	CAP SCREW	2	5	M5X60	M5x60	
	29	265026	SCREEN	1				
	30	281861	CLEANER ELEMENT	1				
	31	268058	AIR FILTER COVER ASSY	1			Incl.32-34	
	32	268059	AIR FILTER COVER	1				
	33	281438	KNOB	1				
	34	261734	SNAP RING	1	5	3ｼﾞ 5	#5	
	35	283220	TANK ASSY	1		A45B95C160D52	Incl.36-46	
	36	281587	FUEL TANK	1				
	37	275306	CHEMICAL TANK CAP	1			Incl.38	
	38	274875	PACKING	1		KRYNAC4975F		
	39	279549	FUEL PIPE ASSY	1			Incl.40-46	
	40	282539	PIPE ASSY	1			Incl.41-44	
	41	268065	GROMMET	1		3ﾌﾝ		
	42	261690	FUEL PIPE	1		3X5X160L(ｶﾞｲﾄﾞ)	160L	
	43	261590	BREATHER SUB ASSY	1				
	44	261117	CLIP	1				
	45	286749	FILTER ASSY	1		WB125-527		
	46	261117	CLIP	1				
	47	261117	CLIP	1				
	48	268940	SCREW	2		M5X18WSW-12	M5x18	
	49	130582		1		AV0.5X170		
	50	281715	SCREW	1		M5X20WSW-12+ﾓ	M5x20	
	51	261352	MARK--LABEL	1		ﾁｮｰｸ	Choke	
	52	282578	GASKET	1				

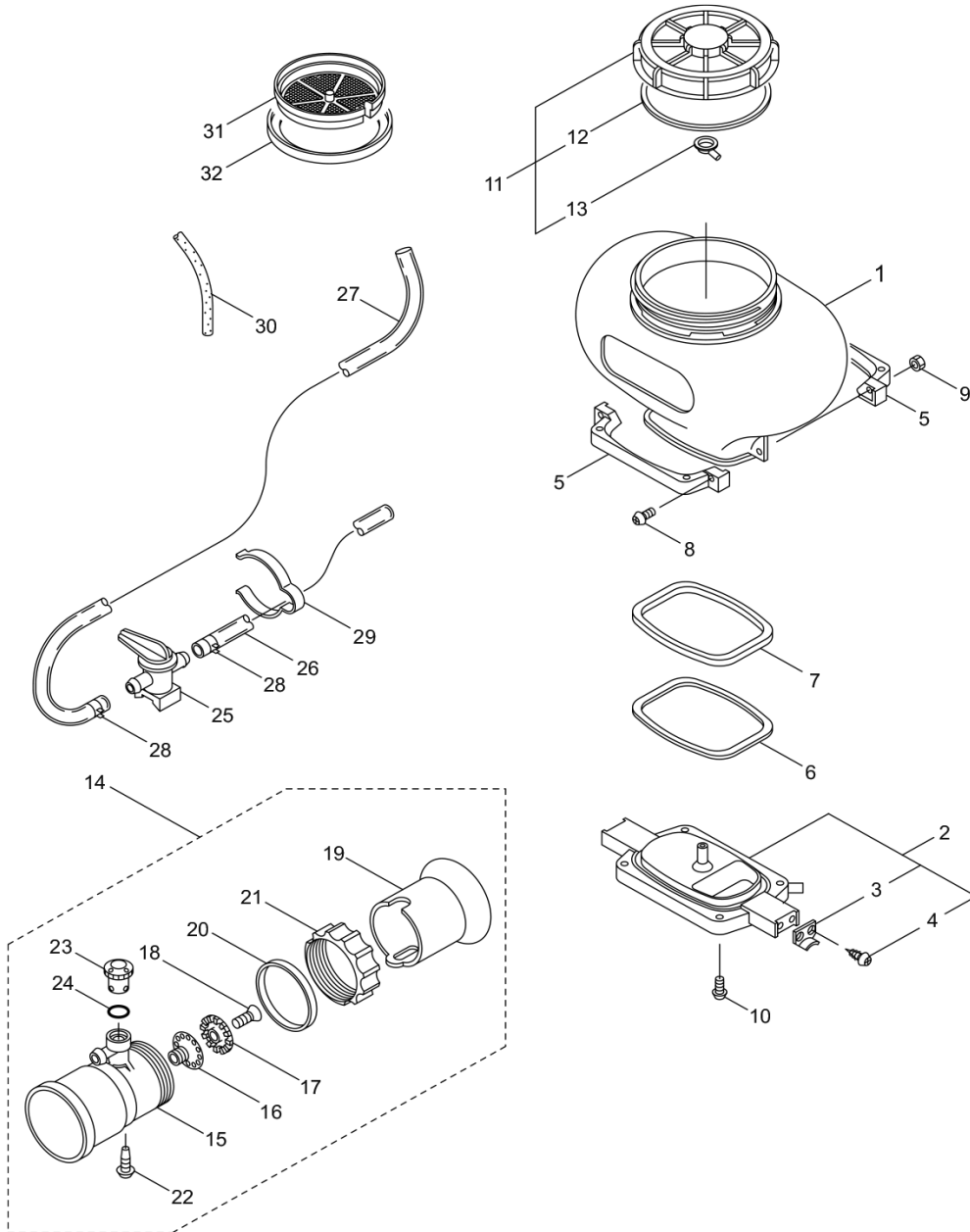
5. MD3015  
ACCESSORIES



Status	Position	Parts Number	Parts Name	Unit Quantity	Set Unit Quantity	Specification	Remarks	Maker code
--------	----------	--------------	------------	---------------	-------------------	---------------	---------	------------

Status	Position	Parts Number	Parts Name	Unit Quantity	Set Unit Quantity	Specification	Remarks	Maker code
	1	119419	FLEXBLE PIPE	1				
	2	106721	SWIVEL PIPE	1				
	3	107149	STRAIGHT PIPE	1		600L ｸﾞｯ	600L	
	4	122628	HANDLE ASSY	1		BP400	Incl.5-10	
	5	122629	GRIP	1				
	6	123132	BAND	1		ｸﾞｯ		
	7	123134	BAND	1		ｸﾞｯ		
	8	127298	NUT M6	1	5	M6 2ｼﾞ	M6	
	9	122610	KNOB BOLT	1		M6X30L	M6x30	
	10	281989	SCREW	2		5X20ｸﾞｯﾋﾞﾝｸﾞ ｲﾝﾄﾞ	5x20	
	11	130207	CLAMP ASSY	1		ﾂﾞﾋﾞ 85	#85	
	12	130209	CLAMP ASSY	1		ﾂﾞﾋﾞ 78	#78	
	13	288652	COMBI BOX SPANNER	1		13X19(-)L190	13x19 L=190	
	14	275711		1		MD3015(MUS)	MD3015	

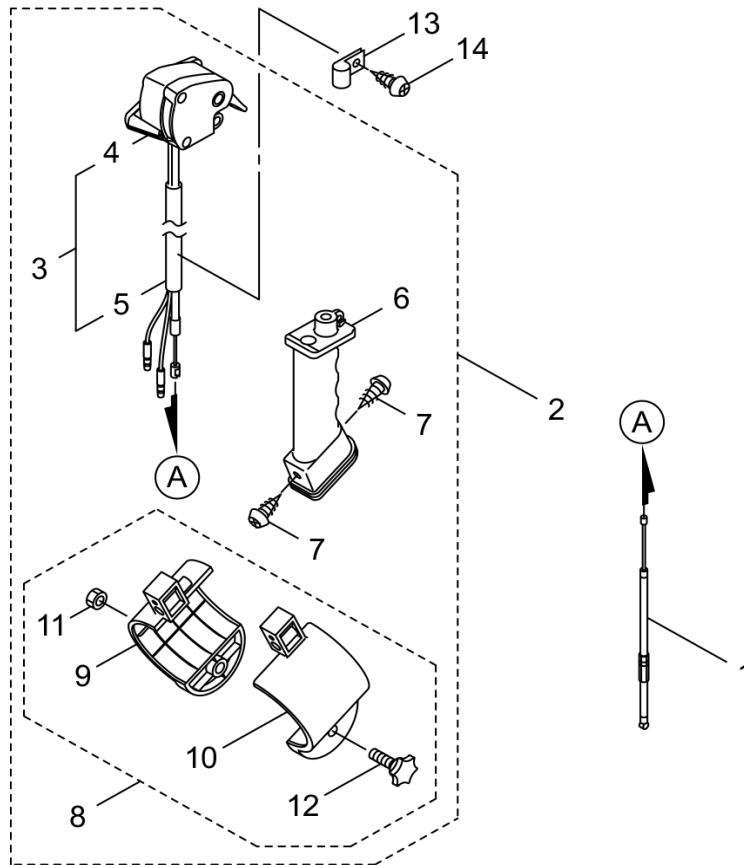
6. MD3015  
 OPTIONAL PARTS (Mist Attachment)



Status	Position	Parts Number	Parts Name	Unit Quantity	Set Unit Quantity	Specification	Remarks	Maker code
--------	----------	--------------	------------	---------------	-------------------	---------------	---------	------------

Status	Position	Parts Number	Parts Name	Unit Quantity	Set Unit Quantity	Specification	Remarks	Maker code
	1	120638	CHEMICAL TANK	1		13L	13L	
	2	111824	TANK BOTTOM LID	1			Incl.3,4	
	3	110313	HOOK	2				
	4	089663	SCREW	4	10	サテ1ｼﾞ M5X15	M5x15	
	5	112189	BRACKET	2				
	6	107888	PACKING	1				
	7	121013	PACKING	1				
	8	088345	SCREW	2	5	M6X30	M6x30	
	9	081241	HEX NUT	2	5	081240=ﾄｲｯ	M6	
	10	088345	SCREW	4	5	M6X30	M6x30	
	11	092206	CHEMICAL TANK LID	1		MD510	Incl.12,13	
	12	103194	PACKING	1		MD220		
	13	101915	INNER CAP	1				
	14	024412	MIST NOZZLE ASSEMBLY	1			Incl.15-24	
	15	029749	MIST NOZZLE	1				
	16	024801	NOZZLE TIP	1		ナﾁﾖﾞﾙ(ｼﾞ)		
	17	024802	NOZZLE CAP	1		ナﾁﾖﾞﾙ(ｼﾞ)		
	18	087499	SCREW	1	10	M3X0.5X12	M3x12	
	19	024803	NOZZLE COLLAR	1		ｸ		
	20	024800	RING	1		ナﾁﾖﾞﾙ(ｼﾞ)		
	21	024804	NUT M60	1		M60X1.5 ｸ	M60x1.5	
	22	024811	SCREW	1				
	23	024805	COCK	1		ｸ		
	24	011345	O-RING RETAINER	1	5	ﾔﾏﾎ P-12	P12	
	25	101872	MIST LEVER	1			Incl.14	
	26	118975	VINYL PIPE	1		9X12X1050	9x12x1050L	
	27	024410	VINYL PIPE (M)	1		9X12X700	9x12x700L	
	28	043972	HOSE BAND	2	5	125-06-00		
	29	024421	PIPE HOLDER	2				
	30	100622	RUBBER PIPE	1		7X11X380L	7x11x380L	
	31	022410	STRAINER	1		ナﾁﾖﾞﾙ(ｼﾞ)		
	32	101834	COVER	1		ナﾁﾖﾞﾙ(ｼﾞ)		

7. MD3015  
 OPTIONAL PARTS (Throttle Lever)



Status	Position	Parts Number	Parts Name	Unit Quantity	Set Unit Quantity	Specification	Remarks	Maker code
--------	----------	--------------	------------	---------------	-------------------	---------------	---------	------------

Status	Position	Parts Number	Parts Name	Unit Quantity	Set Unit Quantity	Specification	Remarks	Maker code
	1	131912	CABLE COMPLETE	1				
	2	131530	THROTTLE ASSY	1			Incl.3-12	
	3	131531	THROTTLE LEVER ASSY	1		スターテング	Incl.4,5	
	4	125756	THROTTLE	1		スターテング		
×	5	131532	THROTTLE WIRE ASSY	1		スターテング		
	6	118811	HOLDER ARM	1		クワ		
	7	127297	SCREW	2	10	ナベ 1ｼｼ M5X20	M5x20	
	8	125184	BAND	1		SMALL	Incl.9-12	
	9	123132	BAND	1		クワ		
	10	123134	BAND	1		クワ		
	11	127298	NUT M6	1	5	M6 2ｼｼ	M6	
	12	127299	BOLT	1		M6X30L	M6x30	
	13	126049	CLAMP	1		リチコセイ N6B クワ		
	14	127300	SCREW	1		ナベ 1ｼｼ M5X18	M5x18	