

PARTS LIST

MD 300

CONTENTS

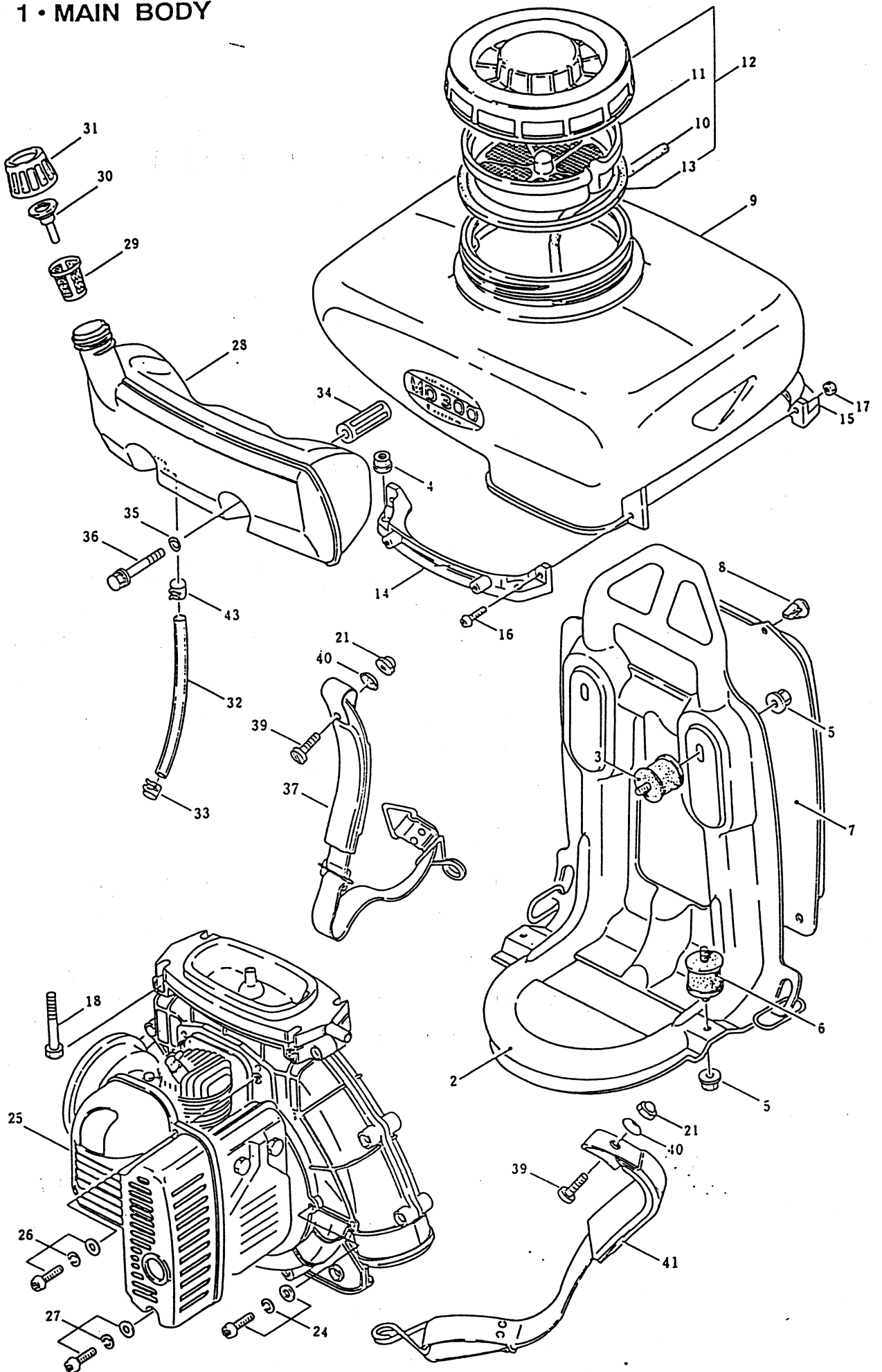
MAIN BODY	2 ~ 3
FAN	4 ~ 5
ENGINE 1	6 ~ 8
ENGINE 2	9 ~ 10
ACCESSORIES	11 ~ 12

1993.7.



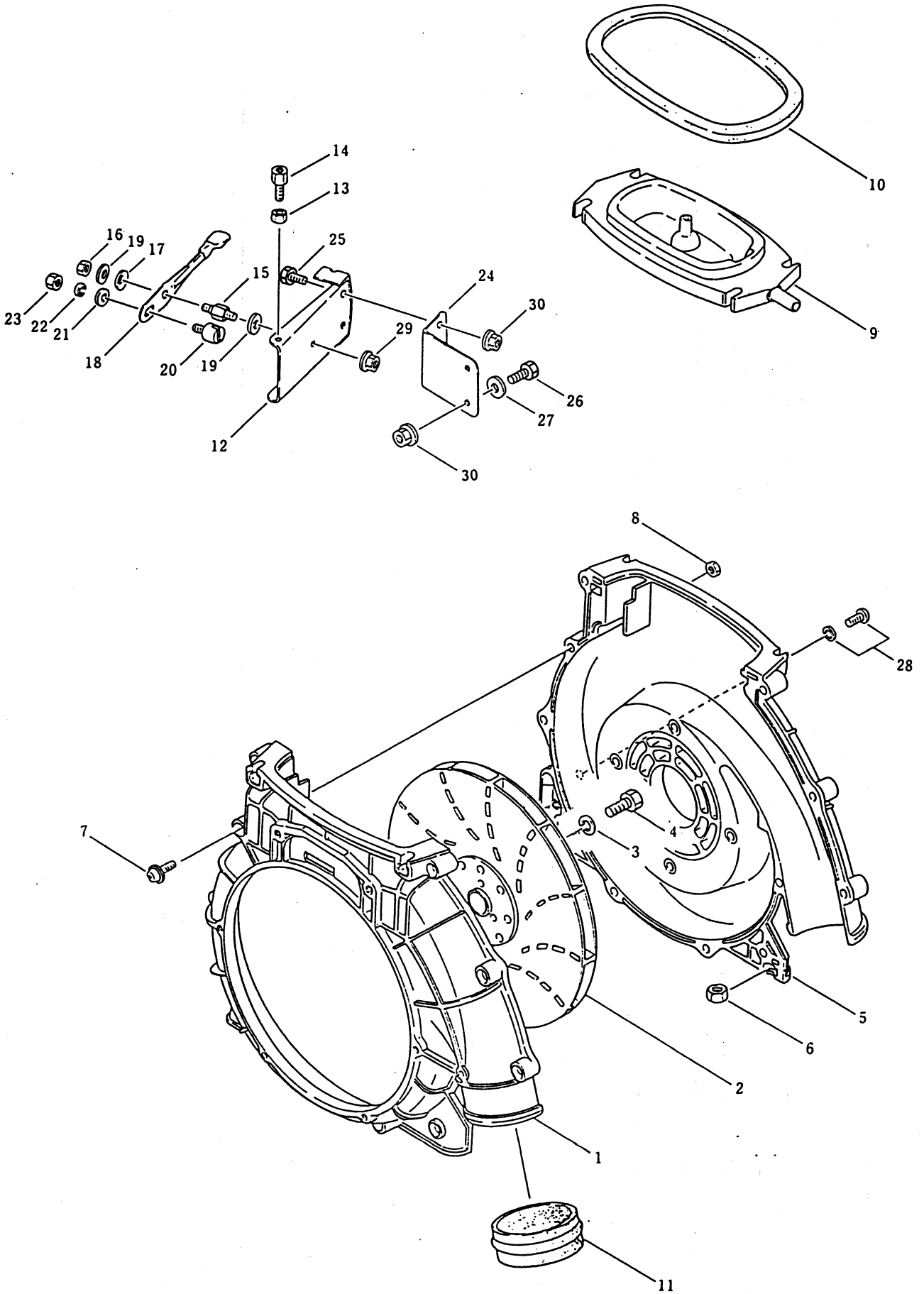
MARUYAMA

1 • MAIN BODY



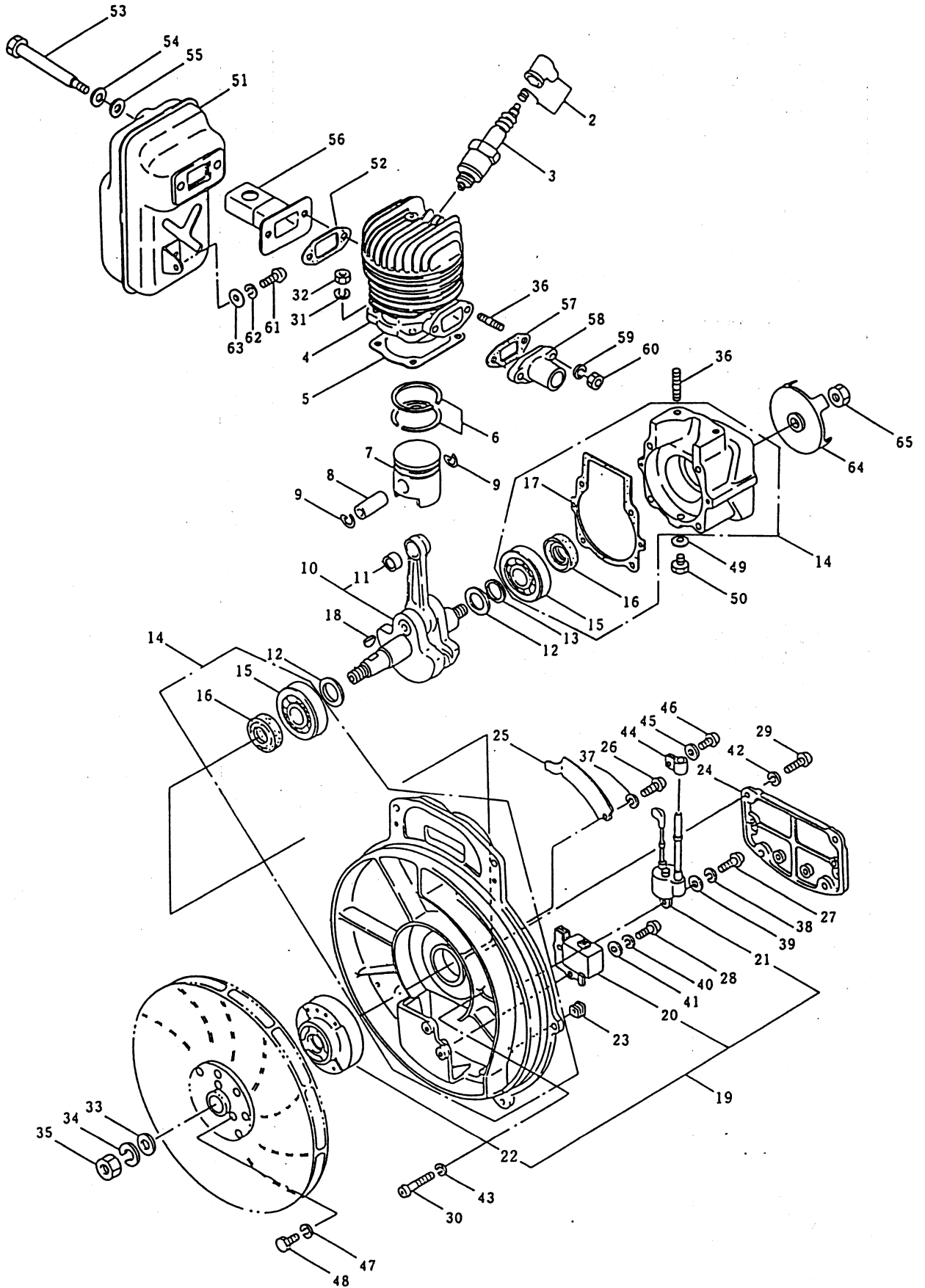
Ref. No.	Parts No.	Parts Name	Q. ty	Remarks
1- 1	352343	MD300 ASSY	1	
1- 2	102506	Support flame	1	
1- 3	026223	Buffer	2	
1- 4	104309	Nut	4	M6
1- 5	109704	Nut	4	M6
1- 6	104307	Buffer	2	
1- 7	115103	Cushion pad	1	
1- 8	100749	Fastener	4	#7
1- 9	103248	Chemical tank	1	
1-10	100622	Rubber pipe	1	$\phi 7 \times \phi 11 \times 380L$
1-11	022410	Strainer	1	
1-12	113920	Cap	1	Include 13
1-13	113921	•Packing	1	
1-14	102303	Tank bracket	1	
1-15	102302	Tank bracket	1	
1-16	088344	Screw	2	M6 \times 25
1-17	081241	Nut	2	M6
1-18	089050	Bolt	4	M6 \times 45
1-21	089750	Nut	2	M6
1-24	816006	Screw	6	M5 \times 15
1-25	103405	Muffler protector	1	
1-26	092052	Screw	2	M5 \times 18
1-27	092001	Screw	1	M6 \times 20
1-28	102727	Fuel tank	1	
1-29	106920	Fuel strainer	1	
1-30	103720	Strainer stopper	1	
1-31	102082	Cap	1	
1-32	103903	Vinyl hose	1	$\phi 8 \times \phi 12 \times 280L$
1-33	043832	Hose band	1	
1-34	102306	Collar	2	
1-35	102504	Packing	2	$\phi 6 \times \phi 20 \times t2$
1-36	092525	Bolt	2	M6 \times 70 \times 20
1-37	114819	Knapsack band, ass'y	1	
1-39	083445	Bolt	2	M6 \times 16
1-40	100603	Washer	2	$\phi 6 \times \phi 23 \times t1.6$
1-41	114816	Knapsack band, ass'y	1	
1-43	103067	Hose band	1	

2 • FAN



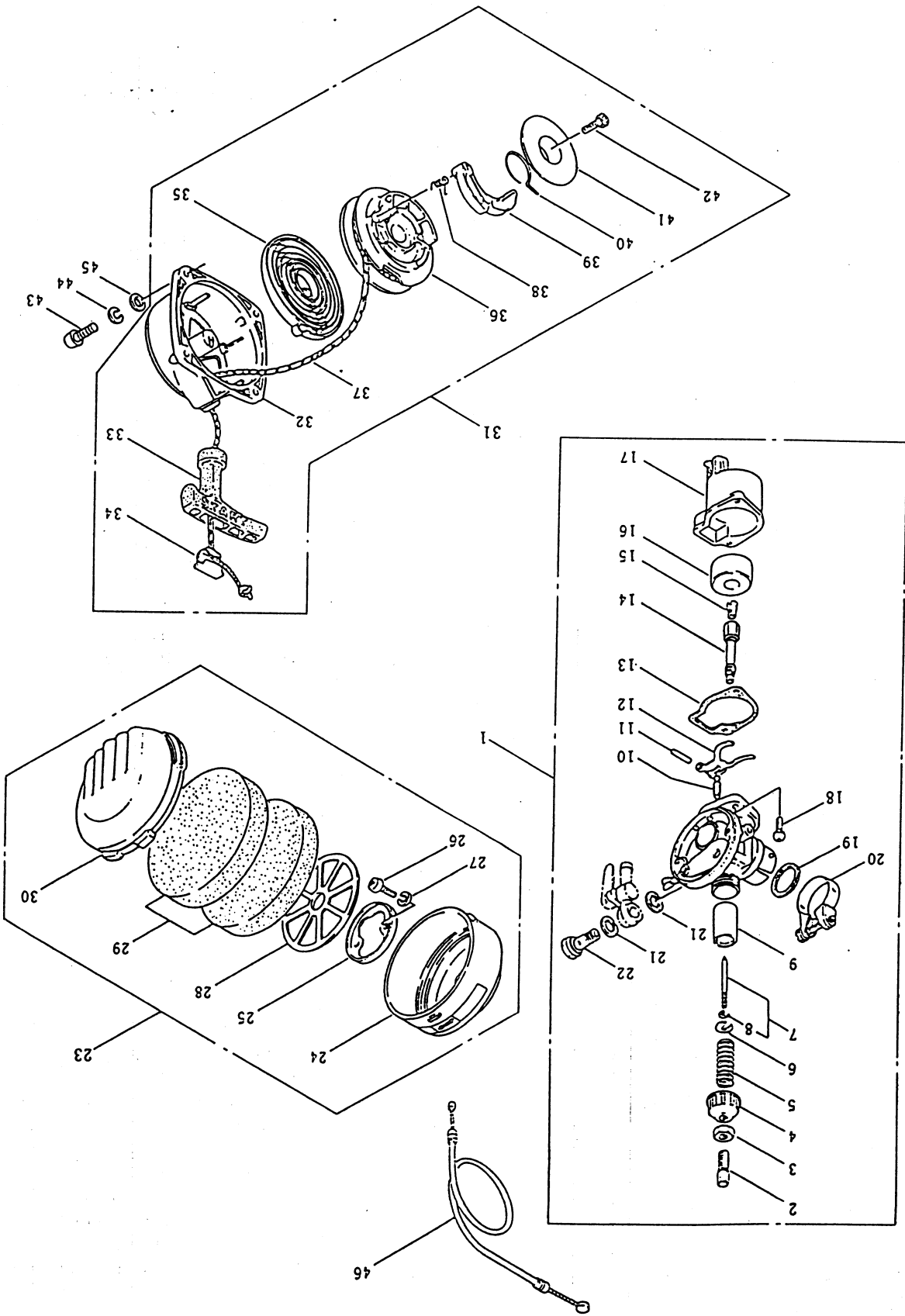
Ref. No.	Parts No.	Parts Name	Q. ty	Remarks
2- 1	102299	Fan case (E)	1	
2- 2	100809	Fan	1	
2- 3	012502	Spring washer	3	M6
2- 4	082098	Bolt	3	M6 × 16
2- 5	103101	Fan case (S)	1	
2- 6	100234	Nut	2	M6
2- 7	092049	Screw with W	11	M5 × 35
2- 8	081238	Nut	11	M5
2- 9	112895	Tank bottom	1	
2-10	101172	Packing, tank bottom	1	
2-11	103211	Rubber joint	1	
2-12	102310	Dial plate	1	
2-13	081032	Nut	1	M6
2-14	102309	Outer receiver	1	
2-15	102317	Bolt	1	
2-16	081031	Nut	1	M6
2-17	088577	Plate spring	1	H8
2-18	102313	Throttle lever	1	
2-19	013754	Washer	2	M6
2-20	102316	Wire receiver	1	
2-21	022905	Washer	1	M5
2-22	012501	Spring washer	1	M5
2-23	081028	Nut	1	M5
2-24	102505	Stay	1	
2-25	089672	Screw	2	M6 × 12
2-26	089619	Screw	2	M6 × 20
2-27	019056	Washer	2	φ 6.5 × φ 18 × t1
2-28	092033	Screw	4	M5 × 15
2-29	100420	Nut	1	M8
2-30	104309	Nut	4	M6

3 • ENGINE 1



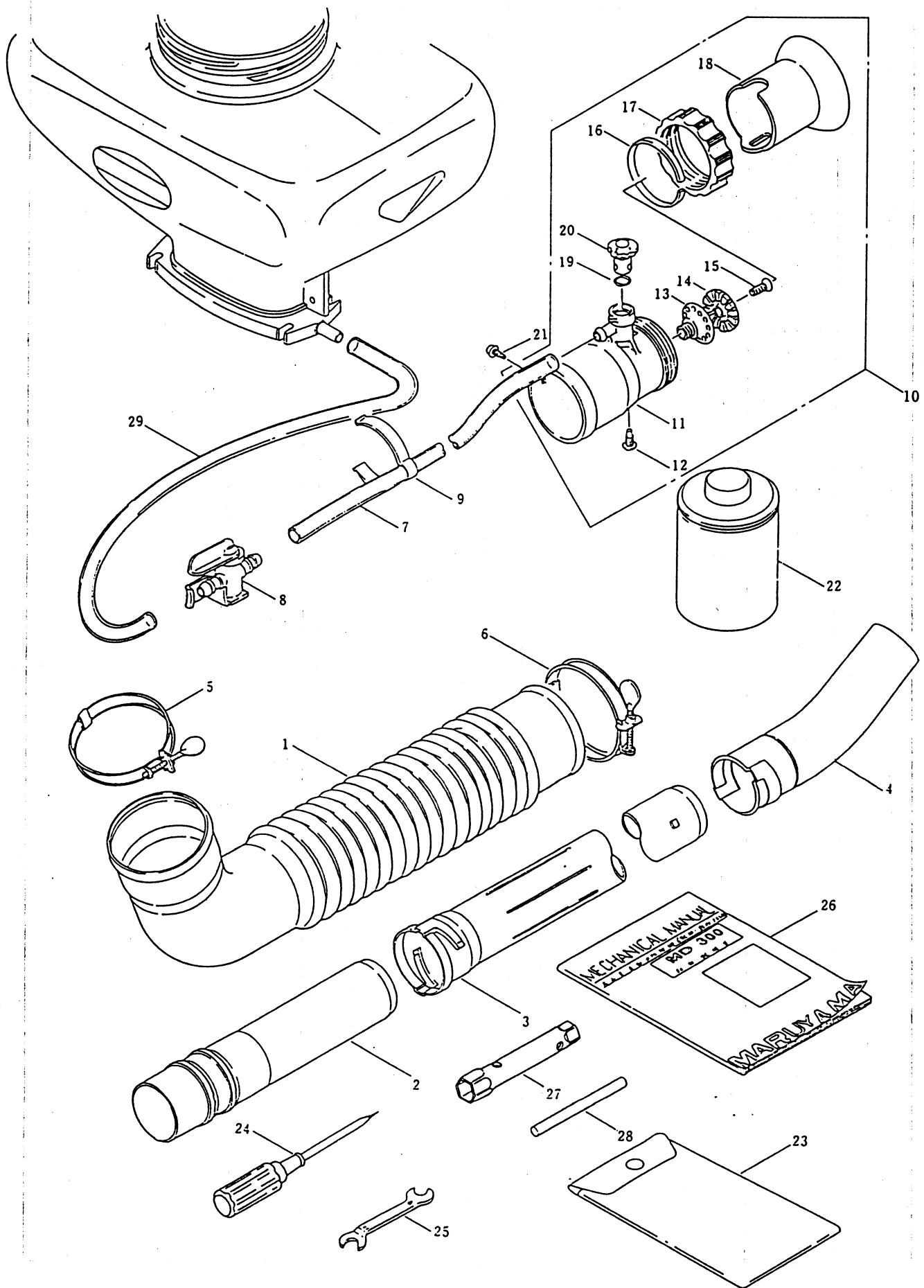
Ref. No.	Parts No.	Parts Name	Q. ty	Remarks
3-1	113923	Engine, ass'y	1	ME430A
3-2	972511	Spark plug cap, ass'y	1	
3-3	972476	Spark plug	1	B-7S
3-4	576243	Cylinder	1	
3-5	979912	Cylinder packing	1	
3-6	979915	Piston ring	2	
3-7	575249	Piston, ass'y	1	
3-8	979914	Pin, piston	1	10 × 30
3-9	576244	Ring, snap	2	
3-10	992973	Crankshaft, ass'y	1	Include 11
3-11	972215	• Bearing, needle	1	F1010B
3-12	979917	Washer, crankshaft	2	
3-13	073238	Crank shim	AR	t = 0.05
3-13	576245	Crank shim	AR	t = 0.10
3-13	576246	Crank shim	AR	t = 0.15
3-13	576247	Crank shim	AR	t = 0.20
3-13	576248	Crank shim	AR	t = 0.30
3-14	570853	Crankcase, ass'y	1	Includes 15~17
3-15	570397	• Ball bearing	2	# 6303 C3
3-16	970145	• Oil seal	2	# 17307
3-17	576249	• Packing, crankcase	1	
3-18	970045	Key	1	3 × 15 × 5
3-19	570855	Magnet, ass'y	1	Includes 20~22
3-20	570857	• Generator coil, ass'y	1	
3-21	576250	• Ignition coil, ass'y	1	
3-22	570856	• Magnet rotor, ass'y	1	
3-23	991573	Grommet	1	
3-24	998107	Cover	1	
3-25	576252	Blind metal	1	
3-26	910310	Screw	1	M5 × 10
3-27	576253	Screw	2	M4 × 15
3-28	911723	Screw	2	M5 × 22
3-29	971917	Screw	4	M5 × 16
3-30	947019	Screw	4	M6 × 35
3-31	073207	Spring washer	4	M6
3-32	947012	Nut	4	M6
3-33	970141	Washer	1	M10
3-34	972801	Spring washer	1	M10
3-35	979274	Nut	1	M10
3-36	970053	Stud bolt	6	M6 × 24
3-37	910018	Spring washer	1	M5
3-38	910017	Spring washer	2	M4
3-39	911020	Washer	2	M4
3-40	910018	Spring washer	2	M5
3-41	911834	Washer	2	M5

Ref. No.	Parts No.	Parts Name	Q. ty	Remarks
3-42	910018	Spring washer	4	M5
3-43	073207	Spring washer	4	M6
3-44	979248	Code clamp	1	
3-45	911015	Washer	1	M5
3-46	910310	Screw	1	M5 × 10
3-47	073207	Spring washer	3	M6
3-48	971921	Bolt	3	M6 × 16
3-49	576254	Packing	1	
3-50	576255	Bolt	1	M6 × 8
3-51	576256	Muffler, ass'y	1	
3-52	979930	Muffler packing	1	
3-53	576261	Bolt	2	
3-54	576260	Washer	2	
3-55	972679	Washer	2	M8
3-56	576259	Muffler pipe, ass'y	1	
3-57	970075	Packing	1	
3-58	979921	Valve	1	
3-59	073207	Spring washer	2	
3-60	970140	Nut	2	
3-61	947007	Screw	1	M6 × 12
3-62	073207	Spring washer	1	M6
3-63	947005	Washer	1	M6
3-64	576257	Stator pulley	1	
3-65	972214	Nut	1	M10



Ref. No.	Parts No.	Parts Name	Qty	Remarks
4- 1	576276	Carburetor, ass'y	1	Includes 2~22
4- 2	576277	• Cable adjuster	1	
4- 3	574107	• Nut	1	
4- 4	576278	• Body cap	1	
4- 5	979966	• Throttle valve spring	1	
4- 6	576264	• Throttle spring receive	1	
4- 7	576265	• Jet needle, ass'y	1	Include 8
4- 8	971875	• Jet needle clip	1	
4- 9	576266	• Throttle valve	1	
4-10	979970	• Needle valve	1	
4-11	979972	• Float pin	1	
4-12	979974	• Float hinge	1	
4-13	575173	• Gasket	1	
4-14	576269	• Needle jet	1	
4-15	576268	• Main jet	1	
4-16	576271	• Float	1	
4-17	576270	• Float chamber, ass'y	1	
4-18	975825	• Screw	2	
4-19	573882	• Packing	1	
4-20	576267	• Body band, ass'y	1	
4-21	979256	• Packing	2	
4-22	576272	• Banjo bolt, ass'y	1	
4-23	979922	Air cleaner, ass'y	1	Includes 24~30
4-24	576258	• Cleaner body	1	
4-25	574173	• Cleaner holder A	1	
4-26	970132	• Screw	2	M4 × 12
4-27	910017	• Spring washer	2	M4
4-28	979925	• Cleaner holder B	1	
4-29	979926	• Cleaner sponge	2	
4-30	979924	• Cleaner cap	1	
4-31	979933	Recoil starter, ass'y	1	Includes 32~42
4-32	979935	• Recoil starter body, ass'y	1	
4-33	979938	• Starter handle	1	
4-34	975807	• Starter handle, ass'y	1	
4-35	979936	• Spiral spring	1	
4-36	979934	• Drive pulley	1	
4-37	979937	• Rope	1	
4-38	979941	• Return spring	1	
4-39	979939	• Starter pawl	1	
4-40	979943	• Friction spring	1	
4-41	979944	• Friction plate	1	
4-42	979945	• Set bolt	1	
4-43	971917	Screw	4	M5 × 16
4-44	910018	Spring washer	4	M5
4-45	911015	Washer	4	M5
4-46	113924	Throttle wire	1	

5 • ACCESSORIES

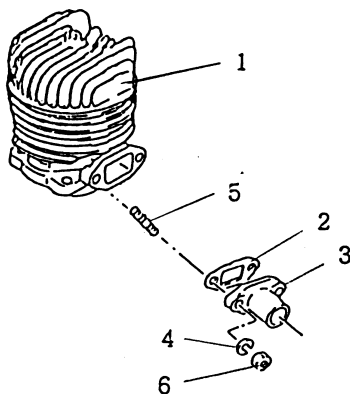
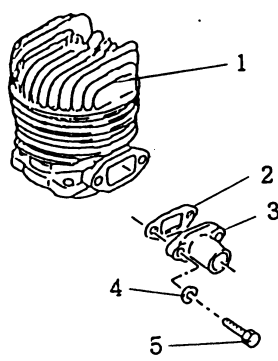
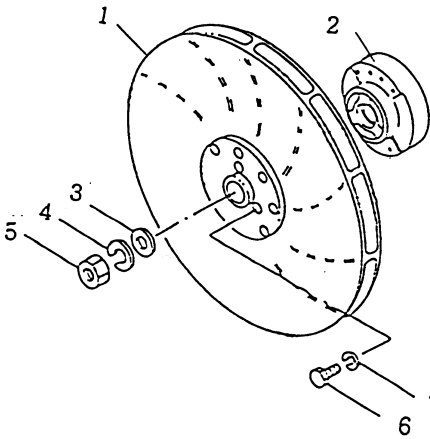
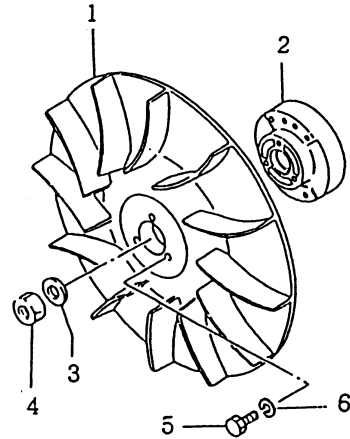


Ref. No.	Parts No.	Parts Name	Q. ty	Remarks
5-1	105881	Flexible pipe	1	
5-2	101096	Pipe	1	
5-3	100869	Pipe	1	370L
5-4	100870	Pipe	1	
5-5	100752	Wire clamp	1	φ 85
5-6	100753	Wire clamp	1	φ 78
5-7	102324	Vinyl hose	1	φ 9 × φ 12 × 780L
5-8	101872	Mist cock, ass'y	1	
5-9	024421	Stop ring	2	
5-10	024412	Mist nozzle, ass'y	1	Includes 11~20
5-11	024413	• Mist nozzle	1	
5-12	024811	• Stopper	1	
5-13	024801	• Nozzle tip	1	
5-14	024802	• Lid, nozzle	1	
5-15	087499	• Screw	1	M3 × 0.5 × 12
5-16	024800	• Clamp ring	1	
5-17	024804	• Nut	1	
5-18	024803	• Collar, nozzle head	1	
5-19	011345	• O-ring	1	P12
5-20	024805	• Metering cock	1	
5-21	086060	Screw	1	M5 × 10
5-22	022540	Fuel blending bottle	1	
5-23	028756	Tool bag	1	
5-24	100057	Screwdriver	1	⊕
5-25	102322	Spanner	1	8 × 10
5-26	102323	Instruction manual	1	
5-27	024404	Box wrench	1	14 × 21
5-28	012723	Handle	1	
5-29	024410	Vinyl hose	1	φ 9 × φ 12 × 700L

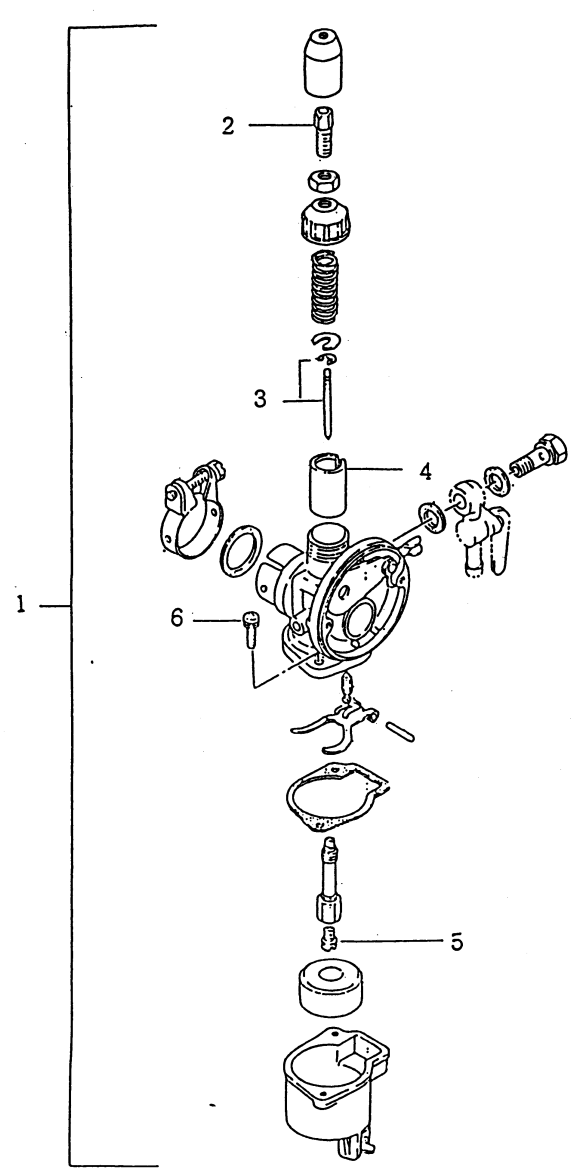
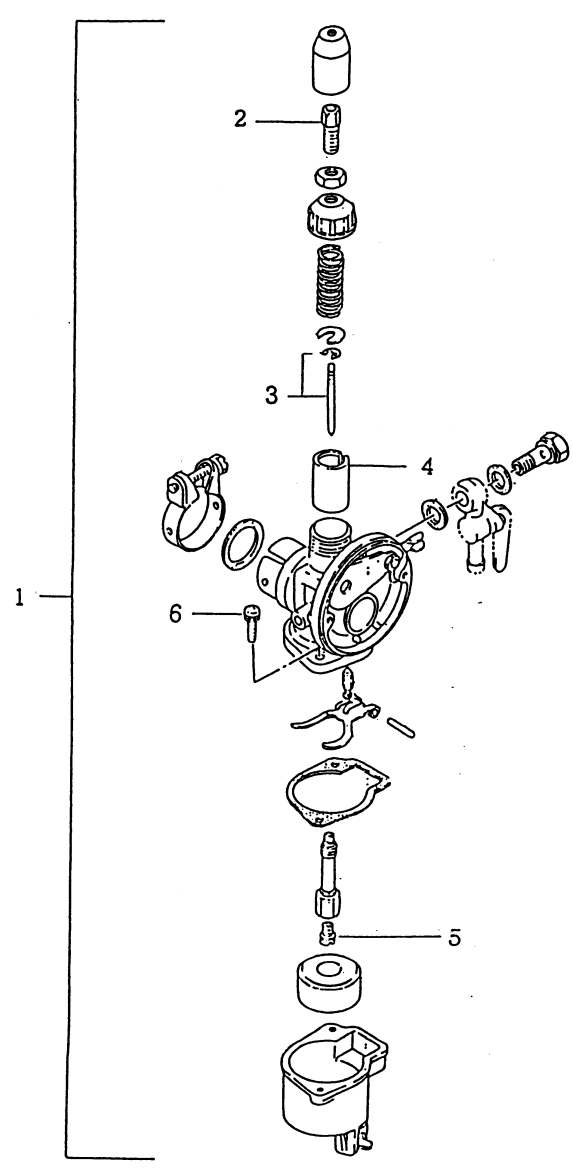
Date: 1993.08.06.INFORMATION ABOUT CHANGE OF PARTS

APPLY TO MODEL	MD300
PARTS NO. & PARTS NAME	576243 Cylinder and others
DESCRIPTION OF CHANGE	
BEFORE THE CHANGE	AFTER THE CHANGE
Refer to attached sheets	Refer to attached sheets
REASON FOR CHANGE	
1. QUALITY IMPROVEMENT	2. MATERIAL IMPROVEMENT
3. MACHINING IMPROVEMENT	4. ASSEMBLING IMPROVEMENT
5. SAFETY	⑥. STANDARDIZATION
	7. AVAILABILITY
8. OTHERS	
WHEN TO APPLY (OR MFG.NO. ~)	Refer to attached sheets
INTERCHANGEABILITY	
1. OLD ← → NEW	2. OLD → NEW
3. OLD ← NEW	④ OLD ↔ NEW
HOW TO DISTINGUISH BETWEEN NEW AND OLD	
①. FROM APPEARANCE	2. BY MARKING
	3. OTHERS
REMARKS	

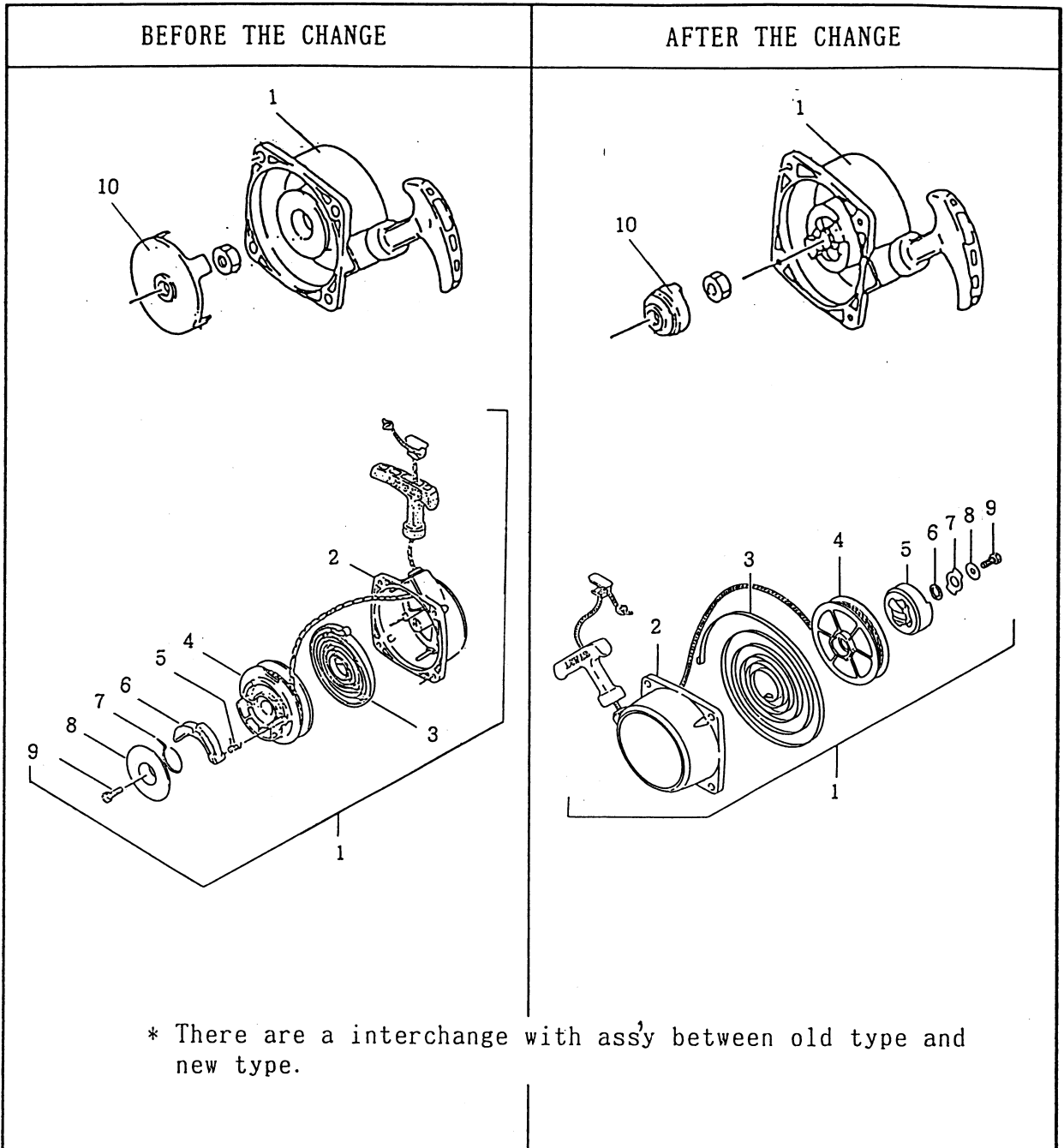
INFORMATION ABOUT CHANGE OF PARTS

BEFORE THE CHANGE					AFTER THE CHANGE				
									
WHEN TO APPLY (OR MFG.NO.~)					1993.5. (MFG.NO. 59303341~)				
Ref. No.	Parts No.	Parts Name	Q'ty	Remarks	Ref. No.	Parts No.	Parts Name	Q'ty	Remarks
1	576243	Cylinder	1		1	590770	Cylinder	1	
2	970075	Packing	1		2	970075	Packing	1	
3	979921	Valve	1		3	979921	Valve	1	
4	073207	Spring washer	2	M6	4	073207	Spring washer	2	M6
5	970053	Stud bolt	2	M6 × 24	5	590771	Bolt	2	M6 × 20
6	970140	Nut	2	M6					
									
* There are a interchange with ass'y between old type and new type.									
WHEN TO APPLY (OR MFG.NO.~)					1993.5. (MFG.NO. 59303341~)				
Ref. No.	Parts No.	Parts Name	Q'ty	Remarks	Ref. No.	Parts No.	Parts Name	Q'ty	Remarks
1	100809	Fan	1		1	115739	Fan	1	
2	570856	Magnet rotor ass'y	1		2	590054	Magnet rotor ass'y	1	
3	970141	Washer	1	M10	3	970141	Washer	1	M10
4	972801	Spring washer	1	M10					
5	979274	Nut	1	M10	4	590783	Nut	1	M10
6	971921	Bolt	3	M6 × 16	5	089770	Bolt	3	M6 × 30
7	073207	Spring washer	3	M6	6	015849	Spring washer	3	M6

INFORMATION ABOUT CHANGE OF PARTS

BEFORE THE CHANGE					AFTER THE CHANGE				
									
WHEN TO APPLY (OR MFG.NO. ~)					1993.5. (MFG.NO. 59303341~)				
Ref. No.	Parts No.	Parts Name	Q'ty	Remarks	Ref. No.	Parts No.	Parts Name	Q'ty	Remarks
1	576276	Carburetor, ass'y	1		1	590772	Carburetor, ass'y	1	
2	576277	·Cable adjuster	1		2	590773	·Cable adjuster	1	
3	576265	·Jet needle, ass'y	1	A124	3	590774	·Jet needle, ass'y	1	A109
4	576266	·Throttle valve	1		4	590775	·Throttle valve	1	
5	576268	·Main jet	1	#68	5	590776	·Main jet	1	#66
6	975825	·Screw	2	M4 × 10	6	590777	·Screw	2	M4 × 10

INFORMATION ABOUT CHANGE OF PARTS



* There are a interchange with ass'y between old type and new type.

WHEN TO APPLY (OR MFG.NO. ~)

1993.5. (MFG.NO. 59303341~)

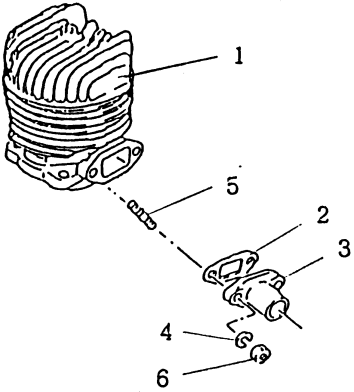
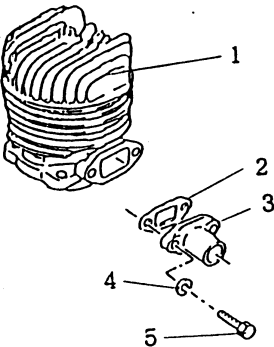
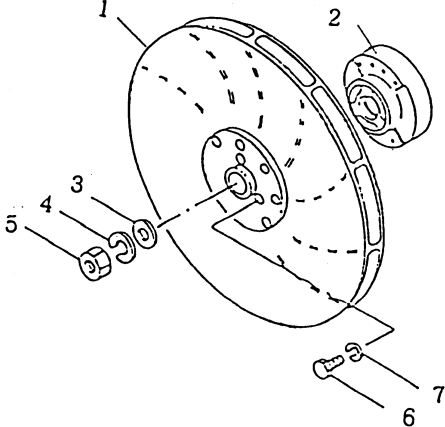
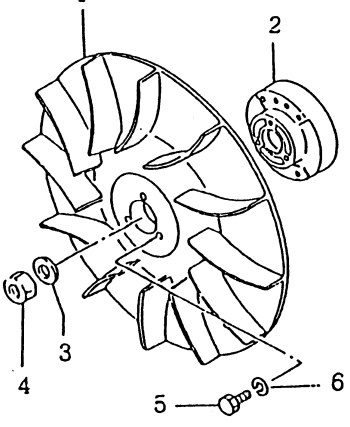
Ref. No.	Parts No.	Parts Name	Q'ty	Remarks	Ref. No.	Parts No.	Parts Name	Q'ty	Remarks
1	979933	Recoil starter, ass'y	1		1	590778	Recoil starter, ass'y	1	
2	979935	·Recoil starter body ass'y	1		2	590782	·Recoil starter body ass'y	1	
3	979936	·Spiral spring	1		3	975800	·Spiral spring	1	
4	979934	·Drive pulley	1		4	590780	·Drive pulley	1	
5	979941	·Return spring	1		5	590781	·Starter pawl	1	
6	979939	·Starter pawl	1		6	574180	·Pulley washer	1	
7	979943	·Friction spring	1		7	574123	·Friction plate	1	
8	979944	·Friction plate	1		8	574124	·Pulley shim	1	
9	979945	·Set bolt	1		9	574125	·Set bolt	1	
10	576257	Stater pulley	1		10	590779	Stater pulley	1	

Date: 1993.08.06.

INFORMATION ABOUT CHANGE OF PARTS

APPLY TO MODEL	MD300
PARTS NO. & PARTS NAME	576243 Cylinder and others
DESCRIPTION OF CHANGE	
BEFORE THE CHANGE	AFTER THE CHANGE
Refer to attached sheets	Refer to attached sheets
REASON FOR CHANGE	
1. QUALITY IMPROVEMENT	2. MATERIAL IMPROVEMENT
3. MACHINING IMPROVEMENT	4. ASSEMBLING IMPROVEMENT
5. SAFETY	⑥. STANDARDIZATION
	7. AVAILABILITY
8. OTHERS	
WHEN TO APPLY (OR MFG.NO. ~)	Refer to attached sheets
INTERCHANGEABILITY	
1. OLD ← → NEW	2. OLD → NEW
3. OLD ← NEW	④ OLD ↔ NEW
HOW TO DISTINGUISH BETWEEN NEW AND OLD	
①. FROM APPEARANCE	2. BY MARKING
	3. OTHERS
REMARKS	

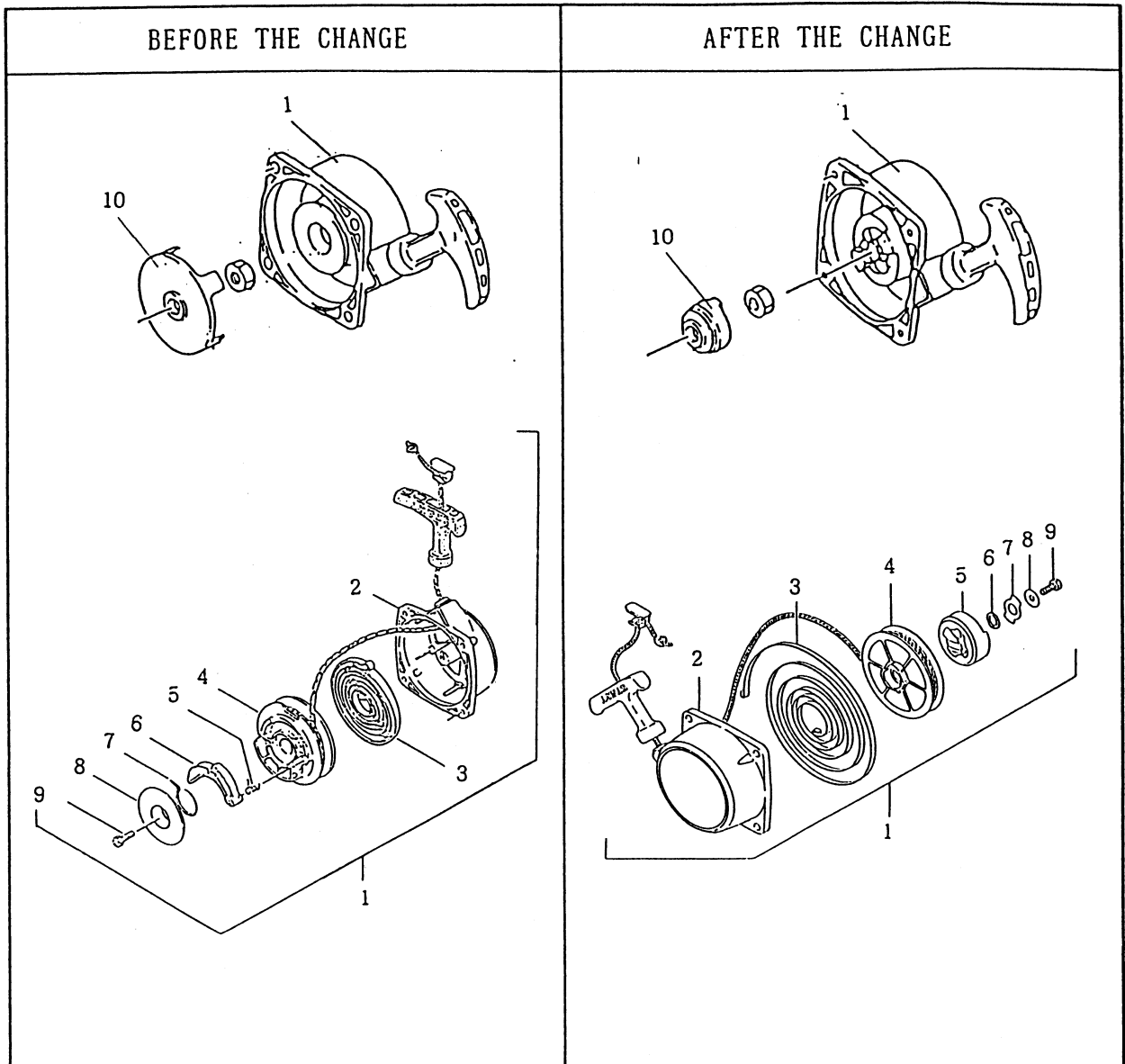
INFORMATION ABOUT CHANGE OF PARTS

BEFORE THE CHANGE					AFTER THE CHANGE				
									
WHEN TO APPLY (OR MFG.NO. ~)					1993.5. (MFG.NO. 59303341~)				
Ref. No.	Parts No.	Parts Name	Q'ty	Remarks	Ref. No.	Parts No.	Parts Name	Q'ty	Remarks
1	576243	Cylinder	1		1	590770	Cylinder	1	
2	970075	Packing	1		2	970075	Packing	1	
3	979921	Valve	1		3	979921	Valve	1	
4	073207	Spring washer	2	M6	4	073207	Spring washer	2	M6
5	970053	Stud bolt	2	M6 × 24	5	590771	Bolt	2	M6 × 20
6	970140	Nut	2	M6					
									
* There are a interchange with ass'y between old type and new type.									
WHEN TO APPLY (OR MFG.NO. ~)					1993.5. (MFG.NO. 59303341~)				
Ref. No.	Parts No.	Parts Name	Q'ty	Remarks	Ref. No.	Parts No.	Parts Name	Q'ty	Remarks
1	100809	Fan	1		1	115739	Fan	1	
2	570856	Magnet rotor ass'y	1		2	590054	Magnet rotor ass'y	1	
3	970141	Washer	1	M10	3	970141	Washer	1	M10
4	972801	Spring washer	1	M10	4	590783	Nut	1	M10
5	979274	Nut	1	M10	5	089770	Bolt	3	M6 × 30
6	971921	Bolt	3	M6 × 16	6	015849	Spring washer	3	M6
7	073207	Spring washer	3	M6					

INFORMATION ABOUT CHANGE OF PARTS

BEFORE THE CHANGE					AFTER THE CHANGE				
WHEN TO APPLY (OR MFG. NO. ~)					1993. 5. (MFG. NO. 59303341~)				
Ref. No.	Parts No.	Parts Name	Q'ty	Remarks	Ref. No.	Parts No.	Parts Name	Q'ty	Remarks
1	576276	Carburetor, ass'y	1		1	590772	Carburetor, ass'y	1	
2	576277	·Cable adjuster	1		2	590773	·Cable adjuster	1	
3	576265	·Jet needle, ass'y	1	A124	3	590774	·Jet needle, ass'y	1	A109
4	576266	·Throttle valve	1		4	590775	·Throttle valve	1	
5	576268	·Main jet	1	#68	5	590776	·Main jet	1	#66
6	975825	·Screw	2	M4 × 10	6	590777	·Screw	2	M4 × 10

INFORMATION ABOUT CHANGE OF PARTS



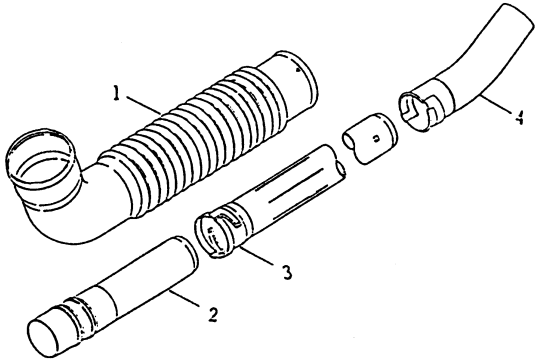
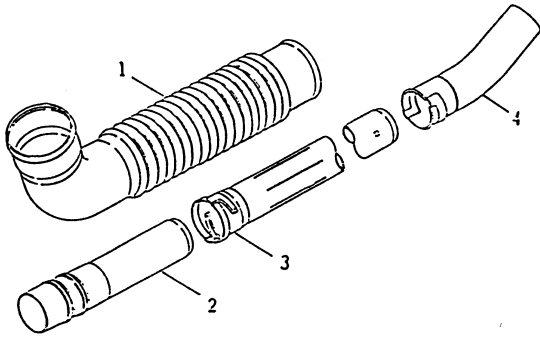
* There are a interchange with ass'y between old type and new type.

WHEN TO APPLY. (OR MFG.NO. ~)

1993.5. (MFG.NO. 59303341~)

Ref. No.	Parts No.	Parts Name	Q'ty	Remarks	Ref. No.	Parts No.	Parts Name	Q'ty	Remarks
1	979933	Recoil starter, ass'y	1		1	590778	Recoil starter, ass'y	1	
2	979935	·Recoil starter body ass'y	1		2	590782	·Recoil starter body ass'y	1	
3	979936	·Spiral spring	1		3	975800	·Spiral spring	1	
4	979934	·Drive pulley	1		4	590780	·Drive pulley	1	
5	979941	·Return spring	1		5	590781	·Starter pawl	1	
6	979939	·Starter pawl	1		6	574180	·Pulley washer	1	
7	979943	·Friction spring	1		7	574123	·Friction plate	1	
8	979944	·Friction plate	1		8	574124	·Pulley shim	1	
9	979945	·Set bolt	1		9	574125	·Set bolt	1	
10	576257	Stater pulley	1		10	590779	Stater pulley	1	

INFORMATION ABOUT CHANGE OF PARTS

BEFORE THE CHANGE					AFTER THE CHANGE				
									
WHEN TO APPLY (OR MFG.NO. ~)					1993.7. (MFG.NO. 07931051~)				
Ref. No.	Parts No.	Parts Name	Q'ty	Remarks	Ref. No.	Parts No.	Parts Name	Q'ty	Remarks
1	105881	Flexible pipe	1	} Color Gray	1	107801	Flexible pipe	1	} Color Black
2	101096	Pipe	1		2	106721	Pipe	1	
3	100869	Pipe	1		3	106762	Pipe	1	
4	100870	Pipe	1		4	106725	Pipe	1	