

PARTS LIST

MC321BK-S

CONTENTS

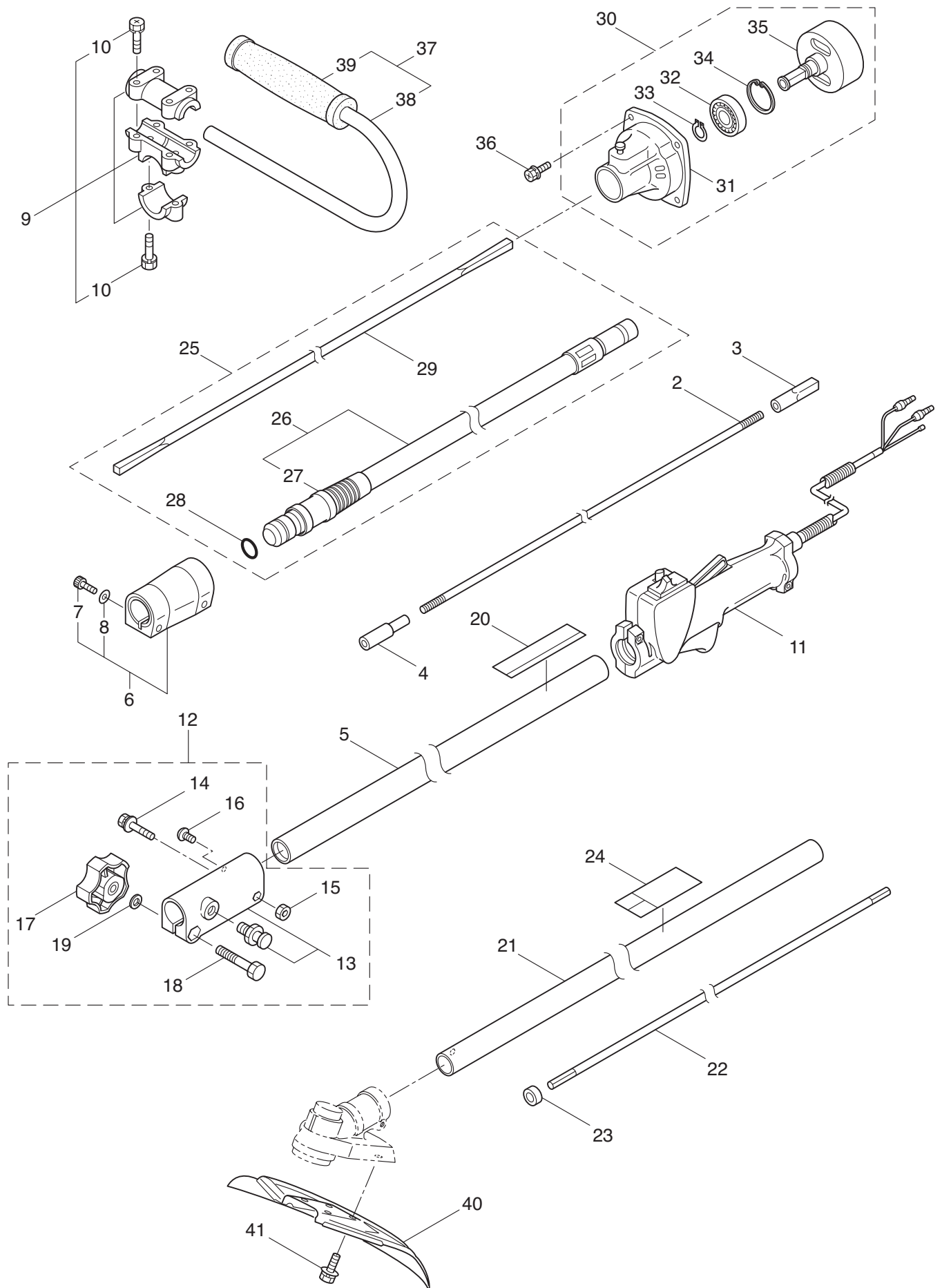
| | |
|--------------------------------|---------|
| 1. MAIN BODY | 1 ~ 2 |
| 2. SUPPORT FRAME | 3 ~ 4 |
| 3. GEARCASE | 5 ~ 6 |
| 4. ENGINE..... | 7 ~ 10 |
| 5. CARBURETOR, FUEL TANK | 11 ~ 12 |
| 6. ACCESSORIES | 13 ~ 14 |

2009.08.



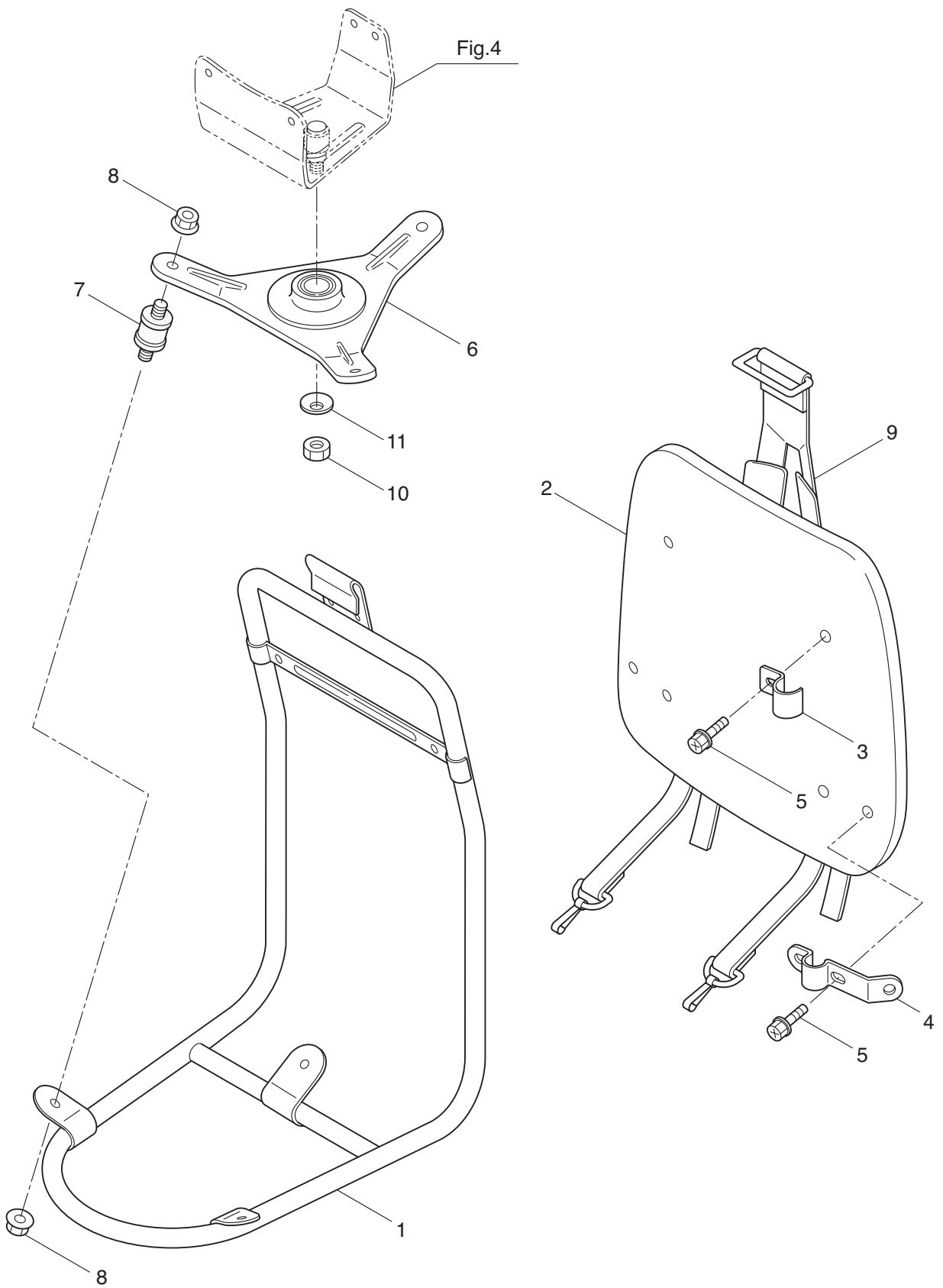
P/N 522839

1. MC321BK-S
MAIN BODY



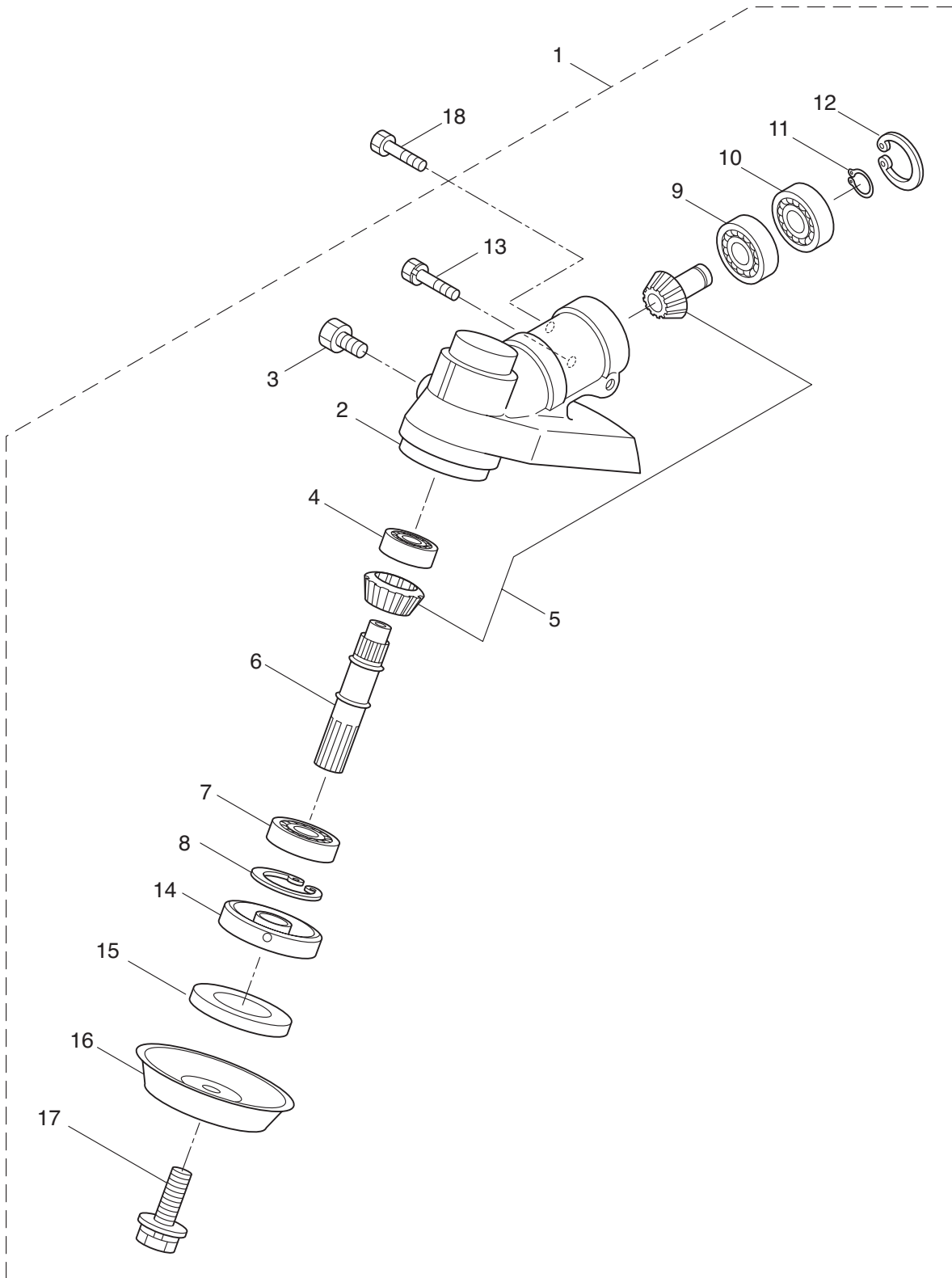
| Ref. No. | Part No. | Part Name | Q'ty | Remarks |
|----------|----------|---------------------|------|----------------|
| 1-1 | 363656 | MC321BK-S | 1 | |
| 1-2 | 221978 | Driveshaft | 1 | 2-M7X721L |
| 1-3 | 216924 | Adapter | 1 | M7X6.9X52L(13) |
| 1-4 | 215276 | Lower Adapter | 1 | M7 |
| 1-5 | 221979 | Driveshaft Tube | 1 | 24XT1.6X723L |
| 1-6 | 214365 | Joint Pipe Ass'y | 1 | Incl.7,8 |
| 1-7 | 087786 | Cap Screw | 2 | M5X25 |
| 1-8 | 012487 | Washer | 1 | M5 |
| 1-9 | 231115 | Bracket Ass'y | 1 | Incl.10 |
| 1-10 | 092561 | Bolt | 6 | M5X25 |
| 1-11 | 223647 | Throttle Trigger | 1 | |
| 1-12 | 219489 | Shaft Coupler Ass'y | 1 | Incl.13-19 |
| 1-13 | 219490 | Shaft Coupler Ass'y | 1 | |
| 1-14 | 215351 | Cap Screw | 1 | M5X25 |
| 1-15 | 089846 | Nut | 1 | M5 |
| 1-16 | 219087 | Cap Screw | 1 | M5X10 |
| 1-17 | 219088 | Clamping Knob Ass'y | 1 | |
| 1-18 | 089976 | Bolt | 1 | M8X45 |
| 1-19 | 550131 | Washer | 1 | M8 |
| 1-20 | 231109 | Label | 1 | MC321BK-S |
| 1-21 | 220218 | Driveshaft Tube | 1 | 24XT1.6X723L |
| 1-22 | 216090 | Driveshaft | 1 | 749L |
| 1-23 | 216079 | Stopper | 1 | |
| 1-24 | 213750 | Label | 1 | |
| 1-25 | 222530 | Outer Ass'y | 1 | Incl.26-29 |
| 1-26 | 222531 | Outer | 1 | Incl.27 |
| 1-27 | 215885 | Cover | 1 | |
| 1-28 | 011338 | O-Ring | 1 | P18 |
| 1-29 | 211895 | Inner Shaft | 1 | 8X6.8X843L |
| 1-30 | 220202 | Clutch Case Ass'y | 1 | Incl.31-35 |
| 1-31 | 220203 | Clutch Case | 1 | |
| 1-32 | 217659 | Bearing | 1 | #6201 |
| 1-33 | 055186 | Snap Ring | 1 | #12 |
| 1-34 | 016732 | Snap Ring | 1 | #32 |
| 1-35 | 220052 | Clutch Drum | 1 | |
| 1-36 | 817002 | Bolt | 4 | M5X20 |
| 1-37 | 231110 | Handle Ass'y | 1 | Incl.38,39 |
| 1-38 | 231111 | Handle | 1 | 15.9XT1.2 |
| 1-39 | 226503 | Handle Grip | 1 | |
| 1-40 | 217091 | Safety Cover | 1 | |
| 1-41 | 092562 | Bolt | 4 | M5X10 |

2. MC321BK-S
SUPPORT FRAME



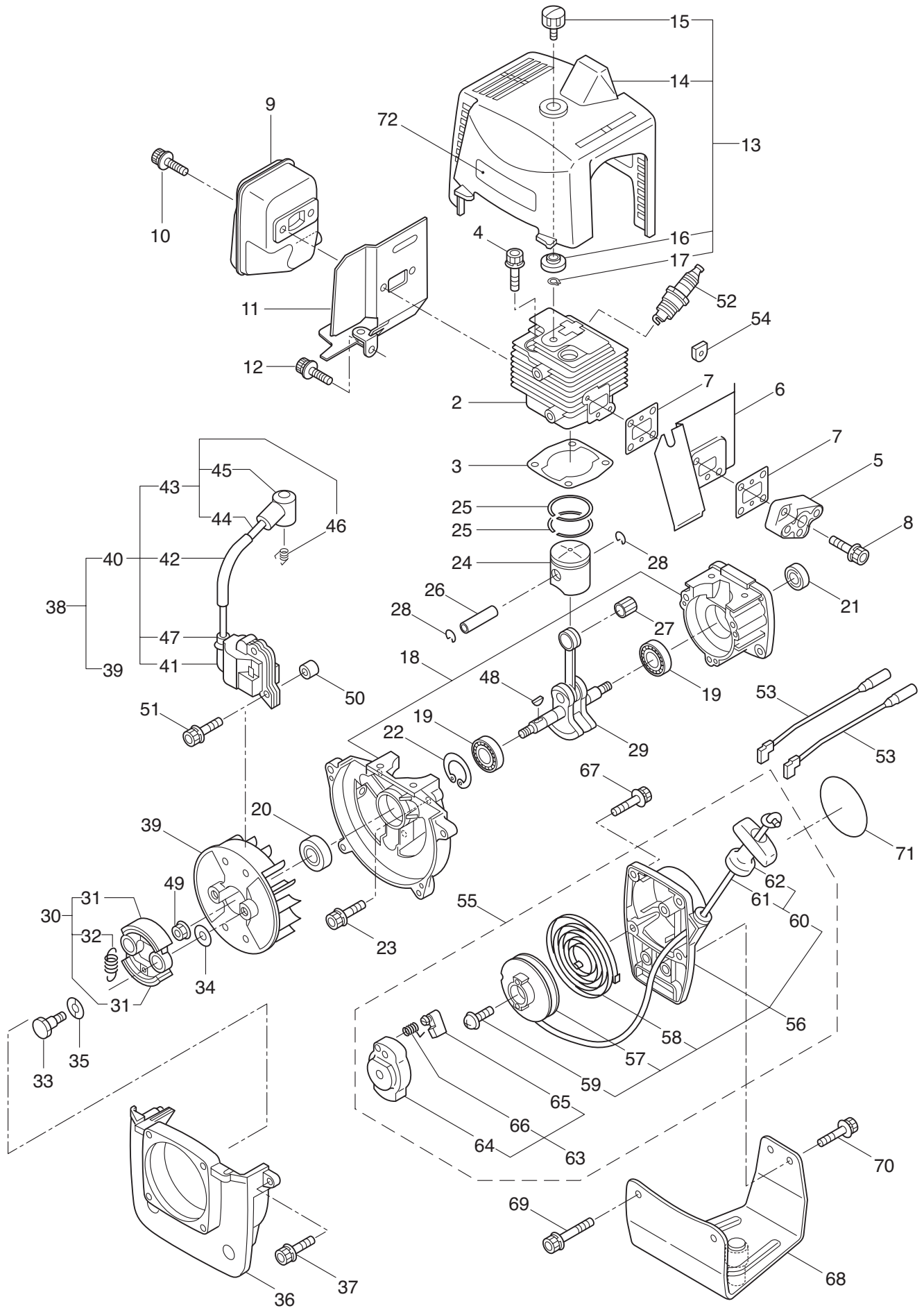
| Ref. No. | Part No. | Part Name | Q'ty | Remarks |
|----------|----------|---------------|------|-----------------|
| 2-1 | 230669 | Support Frame | 1 | |
| 2-2 | 230670 | Pad | 1 | |
| 2-3 | 230671 | Bracket | 2 | |
| 2-4 | 230672 | Bracket | 2 | |
| 2-5 | 092548 | Bolt | 6 | M5X15 |
| 2-6 | 229626 | Turn Bracket | 1 | |
| 2-7 | 229627 | Buffer | 3 | 20/15-20L-M6X13 |
| 2-8 | 100420 | Nut | 6 | M6 |
| 2-9 | 230673 | Knapsack Belt | 1 | |
| 2-10 | 081045 | Nut | 1 | M10 |
| 2-11 | 229631 | Washer | 1 | 10.2X20XT0.8 |

3. MC321BK-S
GEARCASE



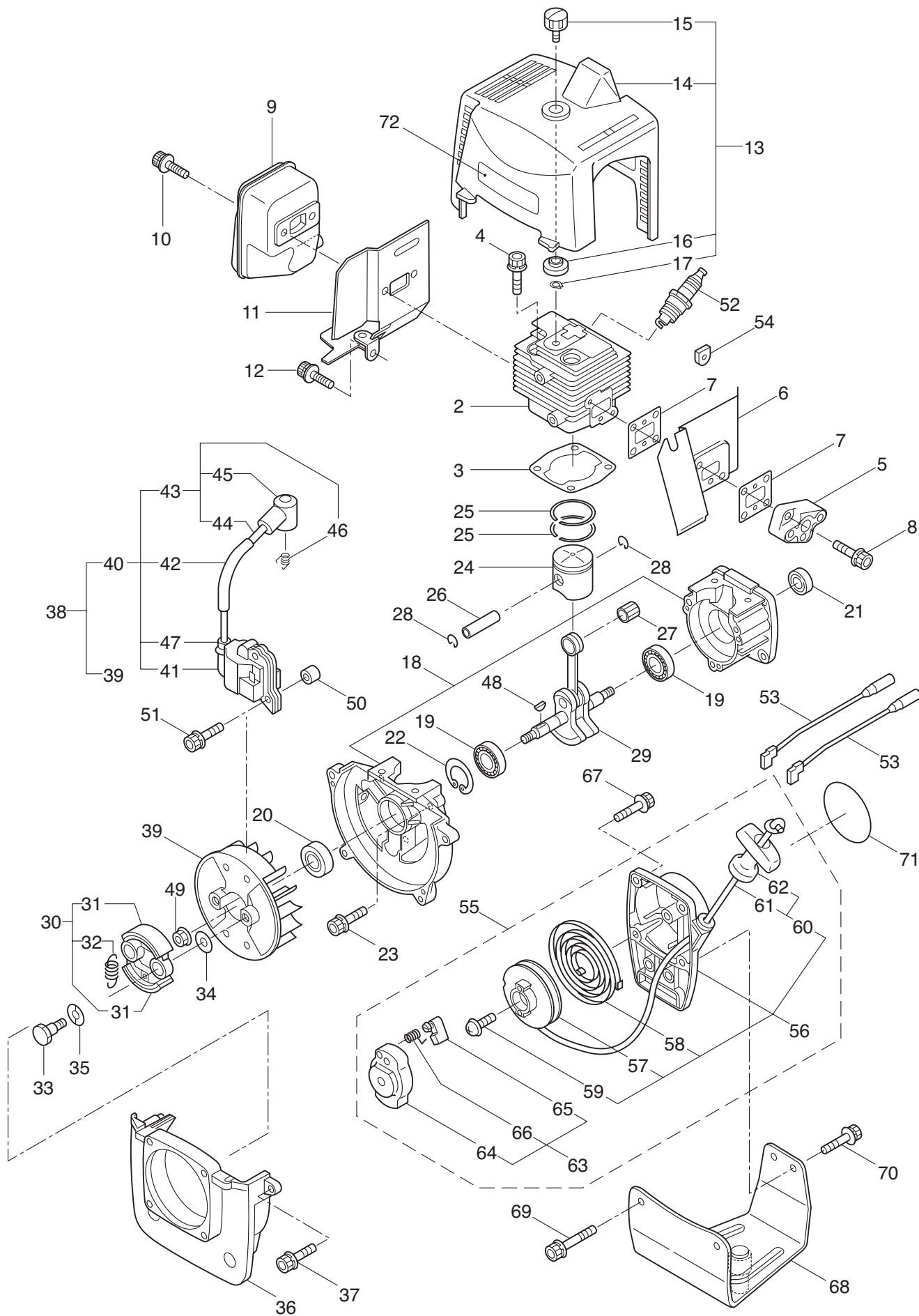
| Ref. No. | Part No. | Part Name | Q'ty | Remarks |
|----------|----------|-----------------|------|------------------------|
| 3-1 | 220577 | Gearcase Ass'y | 1 | Incl.2-17 |
| 3-2 | 219077 | Gearcase | 1 | |
| 3-3 | 089884 | Bolt | 1 | M8X10 |
| 3-4 | 210554 | Bearing | 1 | #608 |
| 3-5 | 227103 | Gear Set | 1 | |
| 3-6 | 215762 | Blade Shaft | 1 | |
| 3-7 | 212999 | Bearing | 1 | #6001 2RK |
| 3-8 | 055185 | Snap Ring | 1 | #28 |
| 3-9 | 210560 | Bearing | 1 | #609 |
| 3-10 | 140268 | Bearing | 1 | #609Z |
| 3-11 | 140269 | Snap Ring | 1 | WR9 |
| 3-12 | 140270 | Snap Ring | 1 | #24 |
| 3-13 | 092561 | Bolt | 1 | M5X25 |
| 3-14 | 212986 | Boss Adapter | 1 | |
| 3-15 | 140275 | Clamping Washer | 1 | |
| 3-16 | 215547 | Stabilizer | 1 | |
| 3-17 | 215610 | Bolt | 1 | M8X22,Counterclockwise |
| 3-18 | 089737 | Bolt | 1 | M5X12 |

4. MC321BK-S ENGINE



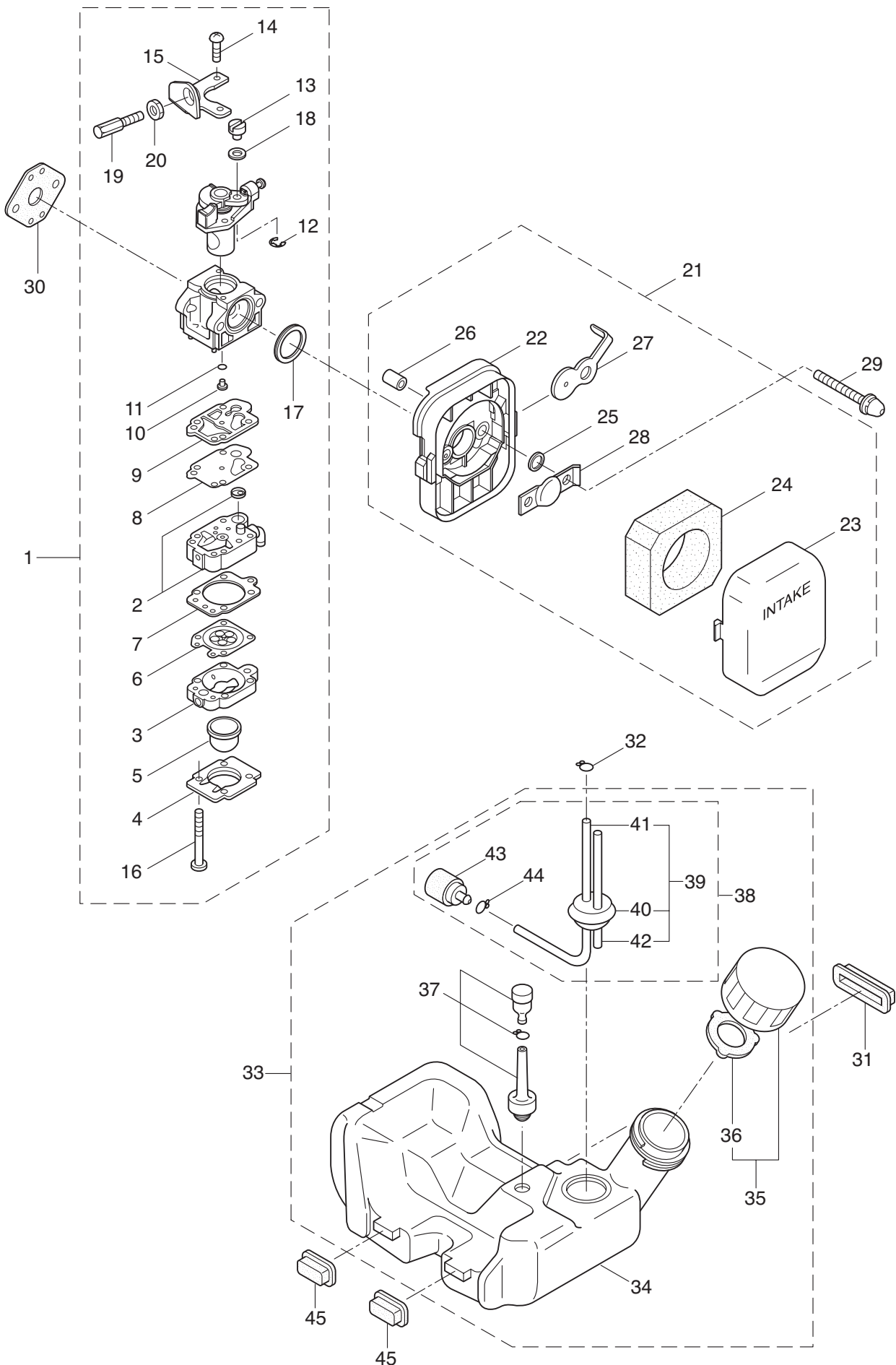
| Ref. No. | Part No. | Part Name | Q'ty | Remarks |
|----------|----------|---------------------------|------|---------------------|
| 4-1 | 858644 | Engine | 1 | AE320/156 |
| 4-2 | 261360 | Cylinder | 1 | New gasket required |
| 4-3 | 261528 | Gasket | 1 | |
| 4-4 | 261250 | Cap Screw | 4 | M5X20WSW |
| 4-5 | 261938 | Insulator | 1 | New gasket required |
| 4-6 | 261364 | Air Duct | 1 | |
| 4-7 | 261171 | Gasket | 2 | |
| 4-8 | 265924 | Cap Screw | 2 | M5X25WSW |
| 4-9 | 280619 | Muffler | 1 | |
| 4-10 | 266402 | Cap Screw | 2 | M5X55 |
| 4-11 | 261833 | Gasket | 1 | |
| 4-12 | 261607 | Cap Screw | 1 | M5X16WSW |
| 4-13 | 265304 | Top Cover Ass'y | 1 | Incl.14-17 |
| 4-14 | 265305 | Top Cover | 1 | |
| 4-15 | 261018 | Knob | 1 | |
| 4-16 | 261020 | Spacer | 1 | |
| 4-17 | 261734 | Snap Ring | 1 | #5 |
| 4-18 | 261379 | Crankcase | 1 | |
| 4-19 | 261384 | Bearing | 2 | #6201 C3 |
| 4-20 | 261385 | Oil Seal | 1 | |
| 4-21 | 261386 | Oil Seal | 1 | |
| 4-22 | 016732 | Snap Ring | 1 | #32 |
| 4-23 | 261612 | Cap Screw | 3 | M5X30WSW |
| 4-24 | 266980 | Piston | 1 | |
| 4-25 | 261390 | Piston Ring | 2 | (2)Required |
| 4-26 | 261555 | Piston Pin | 1 | 7X10X31.5L |
| 4-27 | 261392 | Bearing, Needle | 1 | |
| 4-28 | 261393 | Clip, Piston Pin | 2 | |
| 4-29 | 261395 | Crankshaft/Conn.Rod Ass'y | 1 | |
| 4-30 | 264503 | Clutch Ass'y | 1 | Incl.31,32 |
| 4-31 | 264504 | Clutch Shoe | 2 | (2)Required |
| 4-32 | 263614 | Spring, Clutch | 1 | |
| 4-33 | 264505 | Clutch Bolt | 2 | |
| 4-34 | 261189 | Washer | 2 | 6X16.5XT1.2 |
| 4-35 | 261777 | Wave Washer | 2 | |
| 4-36 | 281325 | Fan Cover | 1 | |
| 4-37 | 261250 | Cap Screw | 2 | M5X20WSW |
| 4-38 | 267391 | Magneto Ass'y | 1 | Incl.39-47 |
| 4-39 | 261356 | Rotor/Fan | 1 | |
| 4-40 | 267400 | Ignition Coil Ass'y | 1 | Incl.41-47 |
| 4-41 | 267401 | Coil | 1 | |
| 4-42 | 269418 | Insulator | 1 | |
| 4-43 | 267403 | Spark Plug Wire Ass'y | 1 | Incl.44-46 |
| 4-44 | 267404 | Spark Plug Wire | 1 | |
| 4-45 | 261074 | Plug Boot | 1 | |

4. MC321BK-S ENGINE



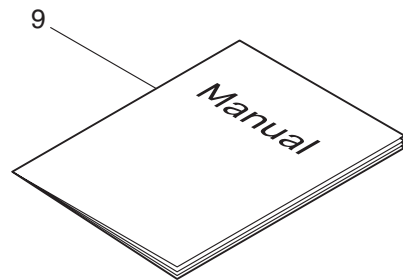
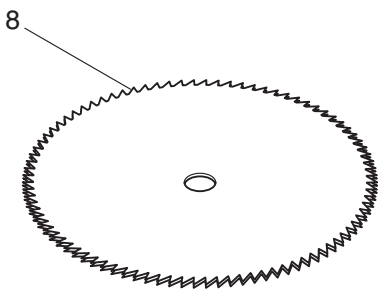
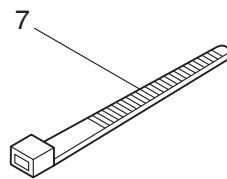
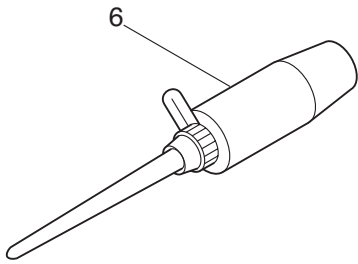
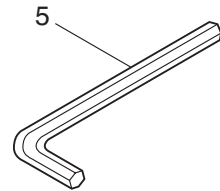
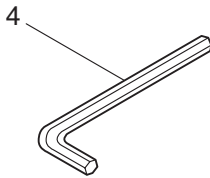
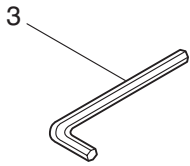
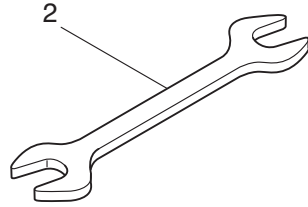
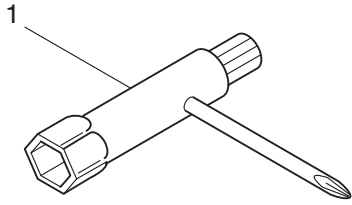
| Ref. No. | Part No. | Part Name | Q'ty | Remarks |
|----------|----------|----------------------|------|------------|
| 4-46 | 261075 | Connector | 1 | |
| 4-47 | 261072 | Cap | 1 | |
| 4-48 | 261076 | Woodruff Key | 1 | 3X10 |
| 4-49 | 261417 | Nut, Rotor | 1 | M8 |
| 4-50 | 280381 | Spacer | 2 | |
| 4-51 | 261256 | Cap Screw | 2 | M4X25WSW |
| 4-52 | 261200 | Spark Plug | 1 | BPM6Y |
| 4-53 | 267492 | Lead | 2 | |
| 4-54 | 261202 | Grommet | 1 | |
| 4-55 | 262006 | Recoil Starter Ass'y | 1 | Incl.56-66 |
| 4-56 | 262039 | Recoil Ass'y | 1 | Incl.57-62 |
| 4-57 | 261720 | Pulley | 1 | |
| 4-58 | 261721 | Spiral Spring | 1 | |
| 4-59 | 262922 | Screw | 1 | |
| 4-60 | 261723 | Rope Ass'y | 1 | Incl.61,62 |
| 4-61 | 261724 | Starter Rope | 1 | |
| 4-62 | 261725 | Starter Grip | 1 | |
| 4-63 | 263475 | Starter Pawl Ass'y | 1 | Incl.64-66 |
| 4-64 | 263476 | Pawl Case | 1 | |
| 4-65 | 263477 | Pawl | 1 | |
| 4-66 | 261728 | Return Spring | 1 | |
| 4-67 | 261257 | Cap Screw | 4 | M4X16WSW |
| 4-68 | 285469 | Bracket | 1 | |
| 4-69 | 261999 | Cap Screw | 2 | M5X40WSW |
| 4-70 | 261607 | Cap Screw | 2 | M5X16WSW |
| 4-71 | 281726 | Label | 1 | |
| 4-72 | 281758 | Label | 1 | |

5. MC321BK-S
 CARBURETOR, FUEL TANK



| Ref. No. | Part No. | Part Name | Q'ty | Remarks |
|----------|----------|-------------------------|------|------------|
| 5-1 | 268537 | Carburetor Ass'y | 1 | Incl.2-20 |
| 5-2 | 262985 | Pump Body | 1 | |
| 5-3 | 262991 | Purge Body | 1 | |
| 5-4 | 262992 | Cover Plate | 1 | |
| 5-5 | 261874 | Primer Bulb | 1 | |
| 5-6 | 261873 | Diaphragm, Metering | 1 | |
| 5-7 | 262993 | Gasket | 1 | |
| 5-8 | 262994 | Diaphragm, Fuel Pump | 1 | |
| 5-9 | 262995 | Gasket | 1 | |
| 5-10 | 262121 | Main Jet | 1 | |
| 5-11 | 261871 | O-Ring | 1 | |
| 5-12 | 261876 | E-Ring | 1 | |
| 5-13 | 261658 | Swivel | 1 | |
| 5-14 | 261875 | Screw | 2 | |
| 5-15 | 264677 | Bracket | 1 | |
| 5-16 | 262996 | Screw | 4 | |
| 5-17 | 261657 | Packing | 1 | |
| 5-18 | 264678 | Washer | 1 | |
| 5-19 | 263994 | Adapter | 1 | |
| 5-20 | 261878 | Nut | 1 | M6 |
| 5-21 | 262902 | Cleaner Ass'y | 1 | Incl.22-28 |
| 5-22 | 263005 | Housing | 1 | |
| 5-23 | 262998 | Cover | 1 | |
| 5-24 | 263006 | Element | 1 | |
| 5-25 | 263000 | Washer | 1 | |
| 5-26 | 263001 | Sleeve | 2 | |
| 5-27 | 263007 | Choke Valve | 1 | |
| 5-28 | 263003 | Plate | 1 | |
| 5-29 | 264016 | Cap Screw | 2 | M5X60WSW |
| 5-30 | 261864 | Gasket | 1 | |
| 5-31 | 261119 | Pad | 1 | |
| 5-32 | 261117 | Clip | 1 | |
| 5-33 | 264749 | Fuel Tank Ass'y | 1 | Incl.34-44 |
| 5-34 | 264752 | Fuel Tank | 1 | |
| 5-35 | 261584 | Fuel Tank Cap Ass'y | 1 | Incl.36 |
| 5-36 | 261105 | Gasket | 1 | |
| 5-37 | 261696 | Breather Ass'y | 1 | |
| 5-38 | 265752 | Fuel Pipe Pick-up Ass'y | 1 | Incl.39-44 |
| 5-39 | 264031 | Fuel Pipe Ass'y | 1 | Incl.40-42 |
| 5-40 | 261115 | Grommet | 1 | |
| 5-41 | 261690 | Fuel Pipe | 1 | 160L |
| 5-42 | 263038 | Return Pipe | 1 | 3X6X85 |
| 5-43 | 264653 | Filter Ass'y | 1 | |
| 5-44 | 261117 | Clip | 1 | |
| 5-45 | 261118 | Pad | 2 | |

6. MC321BK-S
ACCESSORIES



| Ref. No. | Part No. | Part Name | Q'ty | Remarks |
|----------|----------|---------------------|------|-----------|
| 6-1 | 210418 | Box Spanner | 1 | 13X19X(+) |
| 6-2 | 022865 | Double-ended Wrench | 1 | 8X10 |
| 6-3 | 219431 | Wrench | 1 | 3mm |
| 6-4 | 219432 | Wrench | 1 | 4mm |
| 6-5 | 219433 | Wrench | 1 | 5mm |
| 6-6 | 211337 | Grease Tube | 1 | |
| 6-7 | 220548 | Band | 4 | 7X124L |
| 6-8 | 210844 | Saw Blade | 1 | |
| 6-9 | 231118 | Instruction Manual | 1 | MC321BK-S |