

PARTS LIST

M42BK

CONTENTS

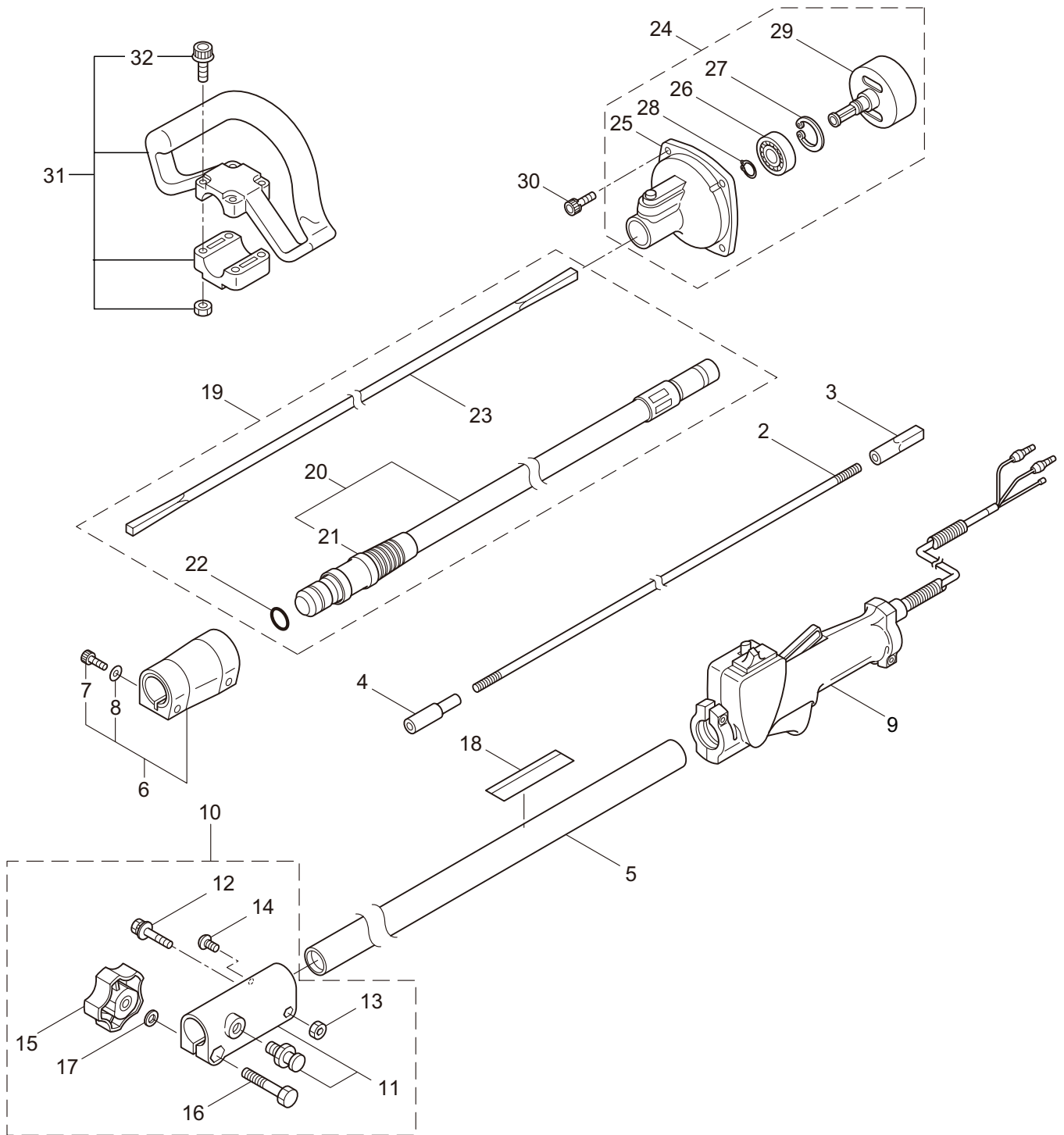
1. MAIN BODY	1 ~ 2
2. SUPPORT FRAME	3 ~ 4
3. ENGINE	5 ~ 8
4. CARBURETOR, FUEL TANK	9 ~ 12
5. ACCESSORIES	13 ~ 14

2020. 03.



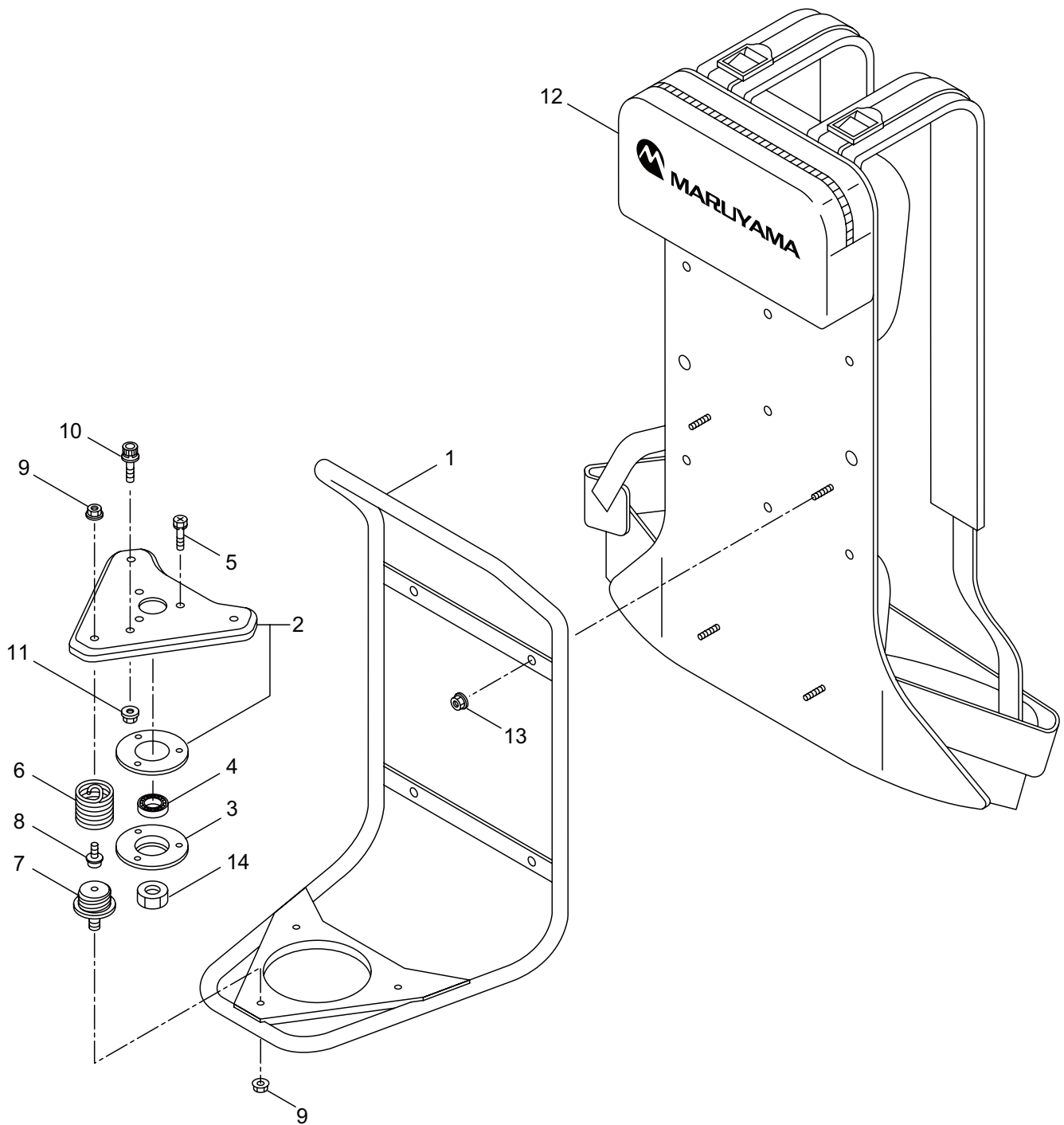
P/N 523297-1

1. M42BK
MAIN BODY



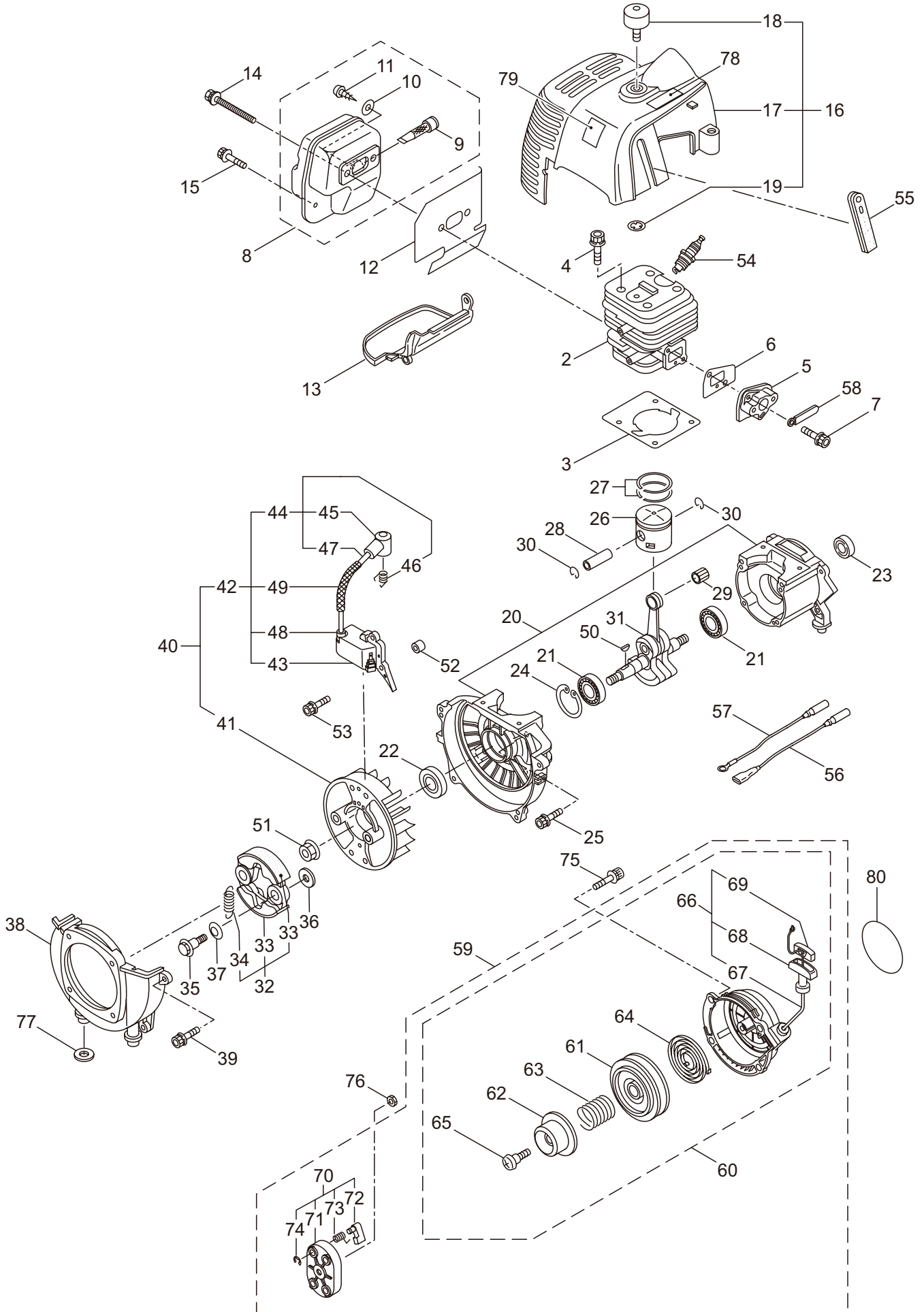
Ref. No.	Part No.	Part Name	Q'ty	Remarks
1-1	363880	M42BK	1	
1-2	221978	Driveshaft	1	721L
1-3	216924	Adapter	1	
1-4	215276	Lower Adapt	1	
1-5	221979	Driveshaft Tube	1	
1-6	214365	Joint Pipe Ass'y	1	Incl.7,8
1-7	087786	Cap Screw	2	M5x25
1-8	012487	Washer	1	M5
1-9	233221	Throttle Trigger	1	
1-10	219489	Shaft Coupler Ass'y	1	Incl.11-17
1-11	219490	Shaft Coupler Ass'y	1	
1-12	215351	Cap Screw	1	M5x25
1-13	081027	Nut	1	M5
1-14	219087	Cap Screw	1	M5x10
1-15	219088	Clamping Knob Ass'y	1	
1-16	089976	Bolt	1	M8x45
1-17	550131	Washer	1	M8
1-18	233222	Label	1	M42BK
1-19	223700	Outer Ass'y	1	Incl.20-23
1-20	223701	Outer	1	Incl.21
1-21	215885	Cover	1	
1-22	011338	O-Ring	1	P18
1-23	223690	Inner Shaft	1	
1-24	222416	Clutch Case Ass'y	1	Incl.25-29
1-25	222085	Clutch Case	1	
1-26	222442	Bearing	1	#6202 2RS
1-27	012380	Snap Ring	1	#35
1-28	550118	Snap Ring	1	WR15
1-29	220336	Clutch Drum	1	
1-30	219113	Cap Screw	4	M6x20
1-31	227816	Loop Handle Ass'y	1	Incl.32
1-32	215608	Cap Screw	4	M5x30x16

2. M42BK
SUPPORT FRAME



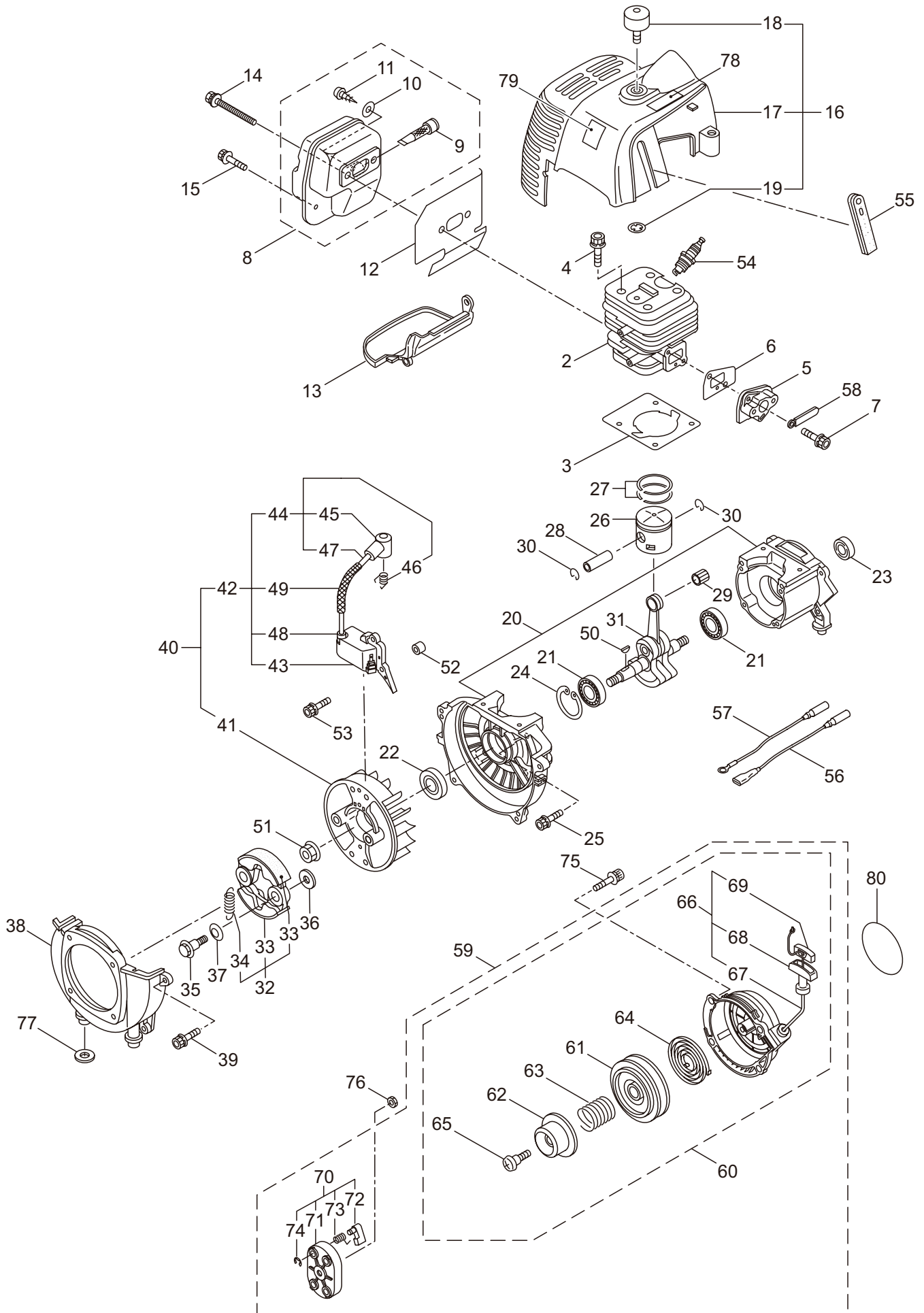
Ref. No.	Part No.	Part Name	Q'ty	Remarks
2-1	224730	Support Frame	1	
2-2	232316	Turn Bracket Ass'y	1	
2-3	211644	Bearing Case	1	
2-4	220619	Bearing	1	#6001UU
2-5	092578	Bolt	3	M5x10
2-6	241733	Spring	3	
2-7	241731	Plug A Comp	3	
2-8	241949	Cap Screw	3	M6x12
2-9	219959	Nut	6	M6
2-10	223704	Cap Screw	1	M6x12
2-11	219959	Nut	1	M6
2-12	226490	Pad	1	
2-13	215230	Nut	4	M5
2-14	084020	Nut	1	M12

3. M42BK ENGINE



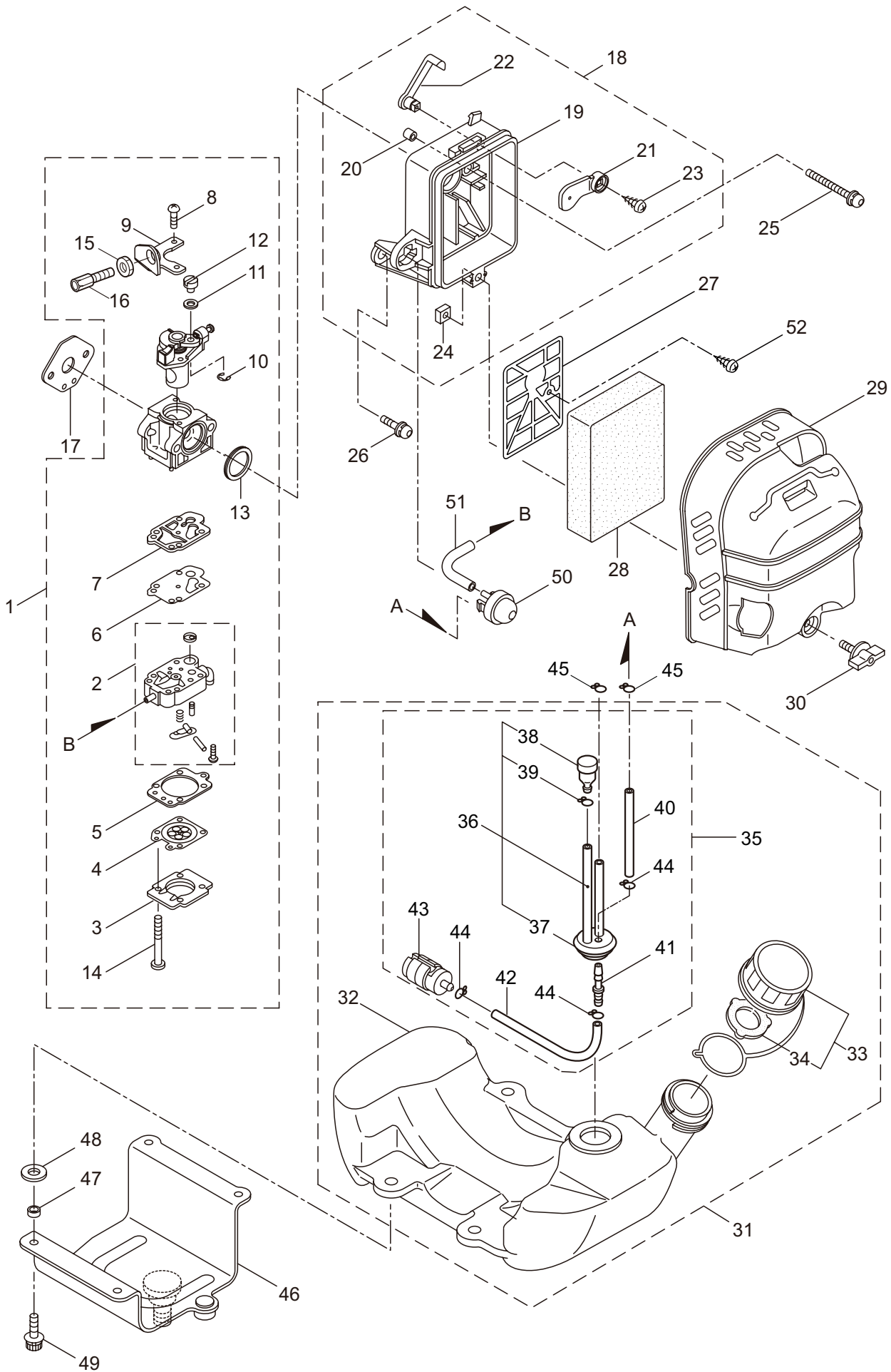
Ref. No.	Part No.	Part Name	Q'ty	Remarks
3-1	858973	Engine	1	CE420/08
3-2	279099	Cylinder	1	
3-3	279101	Gasket	1	
3-4	261246	Cap Screw	4	M5x25
3-5	285778	Insulator	1	New gasket required
3-6	285779	Gasket	1	
3-7	265924	Cap Screw	2	M5x25
3-8	288663	Muffler Ass'y	1	Incl.9-11
3-9	262395	Spark Arrester	1	
3-10	284052	Washer	1	M3
3-11	089530	Tapping Screw	1	M3x10
3-12	285783	Gasket	1	
3-13	285784	Under Cover	1	
3-14	266713	Cap Screw	2	M5x60
3-15	283315	Screw	1	M5x12W-12
3-16	286891	Top Cover Ass'y	1	Incl.17-19
3-17	285786	Top Cover	1	
3-18	285843	Knob	1	
3-19	286362	Washer	1	M6
3-20	288200	Crankcase	1	
3-21	262658	Bearing	2	#6202C3
3-22	246472	Oil Seal	1	
3-23	246471	Oil Seal	1	
3-24	012380	Snap Ring	1	#35
3-25	261612	Cap Screw	4	M5x30
3-26	285795	Piston	1	
3-27	262476	Piston Ring	2	(2)Required
3-28	262749	Piston Pin	1	
3-29	262659	Bearing,Needle	1	KTV111414EG01B2
3-30	262479	Clip,Piston Pin	2	
3-31	285797	Crankshaft/Conn.Rod Ass'y	1	
3-32	262577	Clutch Ass'y	1	Incl.33,34
3-33	282624	Clutch Shoe	2	(2)required
3-34	263615	Spring,Clutch	1	
3-35	283671	Cap Screw	2	M8x1.25
3-36	262683	Washer	2	8x22xt1.2
3-37	262682	Wave Washer	2	
3-38	282285	Fan Cover	1	
3-39	261250	Cap Screw	4	M5x20
3-40	285803	Magneto Ass'y	1	Incl.41-49
3-41	286207	Rotor/Fan	1	
3-42	285804	Ignition Coil Ass'y	1	Incl.43-49
3-43	285805	Coil	1	
3-44	285806	Spark Plug Wire Ass'y	1	Incl.45-47
3-45	261074	Plug Boot	1	

3. M42BK ENGINE



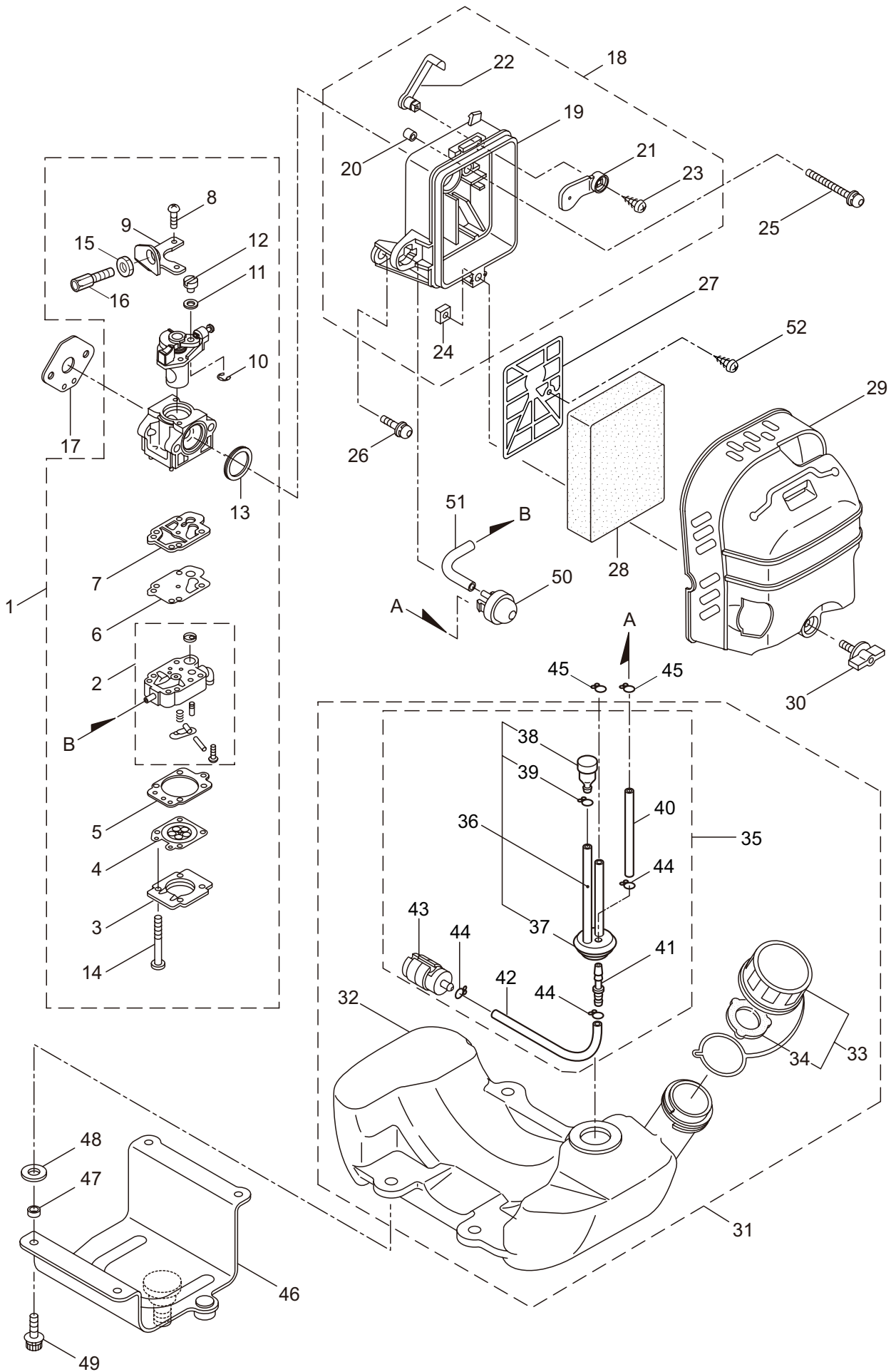
Ref. No.	Part No.	Part Name	Q'ty	Remarks
3-46	261075	Connector	1	
3-47	286273	Spark Plug Wire	1	
3-48	261072	Cap	1	
3-49	284759	Insulator	1	
3-50	261076	Woodruff Key	1	3x10
3-51	262731	Nut,Rotor	1	M10
3-52	280381	Spacer	2	
3-53	261256	Cap Screw	2	M4x25
3-54	285982	Spark Plug	1	NGK BPM8Y
3-55	286988	Grommet	1	
3-56	288416	Wire, Lead	1	
3-57	282087	Lead	1	
3-58	264588	Clamp	1	
3-59	285809	Recoil Starter Ass'y	1	Incl.60-74
3-60	285810	Starter Ass'y	1	Incl.61-69
3-61	286291	Reel	1	
3-62	286292	Cam Plate	1	
3-63	286293	Damper Spring	1	
3-64	280995	Spiral Spring	1	
3-65	286295	Set Screw	1	
3-66	286296	Starter Rope Ass'y	1	Incl.67-69
3-67	286297	Starter Rope	1	3.8x1000
3-68	262633	Starter Grip	1	
3-69	262981	Cap	1	
3-70	285679	Starter Pulley Ass'y	1	Incl.71-74
3-71	285680	Starter Pulley	1	
3-72	285681	Pawl	2	
3-73	285682	Return Spring	2	
3-74	262638	E-Ring	2	
3-75	268940	Screw	4	M5x18
3-76	285736	Nut	1	M8
3-77	285735	Packing	4	
3-78	287272	Label	1	
3-79	288671	Label	1	M42BK
3-80	288670	Label	1	M42BK CER420

4. M42BK
CARBURETOR, FUEL TANK



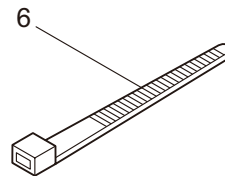
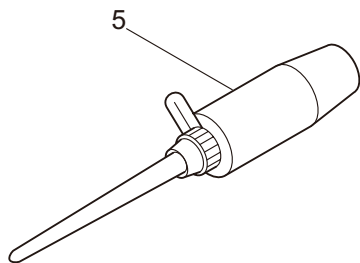
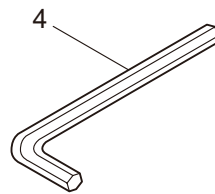
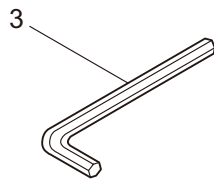
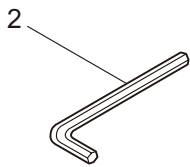
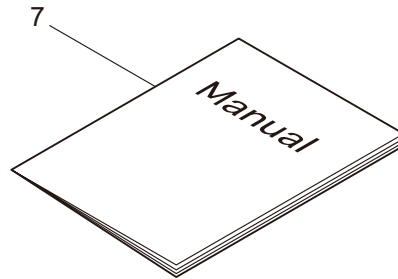
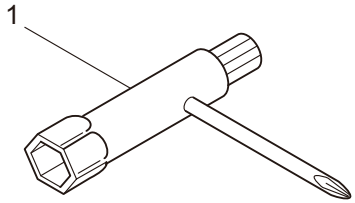
Ref. No.	Part No.	Part Name	Q'ty	Remarks
4-1	288451	Carburetor Ass'y	1	Incl.2-16 New gasket required
4-2	283124	Pump Body	1	
4-3	263726	Cover Plate	1	
4-4	283905	Diaphragm, Meterring	1	
4-5	263727	Gasket	1	
4-6	262994	Diaphragm,Fuel Pump	1	
4-7	282576	Gasket	1	
4-8	261875	Screw	2	
4-9	264677	Bracket	1	
4-10	261876	E-Ring	1	
4-11	264678	Washer	1	
4-12	261658	Swivel	1	
4-13	261657	Packing	1	
4-14	263737	Screw	4	
4-15	261878	Nut	1	
4-16	263994	Adapter	1	
4-17	282301	Gasket	1	
4-18	282302	Case Ass'y	1	Incl.19-24
4-19	282303	Case Body	1	
4-20	282484	Sleeve	3	
4-21	282304	Valve	1	
4-22	282305	Lever	1	
4-23	269032	Screw	1	
4-24	269423	Nut	1	
4-25	261814	Cap Screw	2	M5x50
4-26	264807	Cap Screw	1	M5x16
4-27	282481	Plate	1	
4-28	282306	Element	1	
4-29	285814	Cleaner Cover	1	
4-30	279350	Knob	1	
4-31	289040	Fuel Tank Ass'y	1	Incl.32-44
4-32	285817	Fuel Tank	1	
4-33	289046	Tank Cap Ass'y	1	Incl.34
4-34	287058	Gasket	1	
4-35	289041	Fuel Pipe Pick-up Ass'y	1	Incl.36-44
4-36	289042	Fuel Pipe Ass'y	1	Incl.37-39
4-37	268065	Grommet	1	
4-38	261590	Breather	1	
4-39	261117	Clip	1	
4-40	289028	Pipe A	1	3x5x53L
4-41	288921	Joint	1	
4-42	289029	Pipe	1	3x5x125L
4-43	267328	Fuel Filter Ass'y	1	
4-44	261117	Clip	3	
4-45	261117	Clip	2	

4. M42BK
 CARBURETOR, FUEL TANK



Ref. No.	Part No.	Part Name	Q'ty	Remarks
4-46	287270	Bracket	1	
4-47	288592	Sleeve	4	
4-48	285735	Packing	4	
4-49	261250	Cap Screw	4	M5x20
4-50	282299	Pump	1	
4-51	282512	Fuel Pipe	1	
4-52	269032	Screw	1	

5. M42BK
ACCESSORIES



Ref. No.	Part No.	Part Name	Q'ty	Remarks
5-1	210418	Box Spanner	1	13x19x(+)
5-2	219431	Wrench	1	3mm
5-3	219432	Wrench	1	4mm
5-4	219433	Wrench	1	5mm
5-5	211337	Grease Tube	1	
5-6	220548	Band	4	
5-7	232486	Instruction Manual	1	M30BK-S