

Is Your Product Registered?

Contact your Dealer to verify.

Warranties are based on Registrations and reduced to 1 year without
Registration.

MARUYAMA

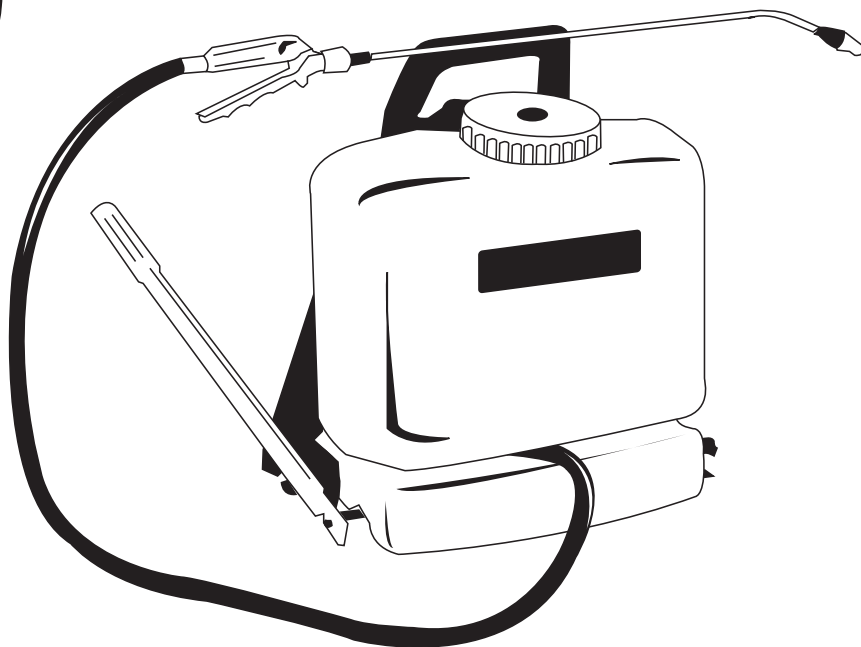
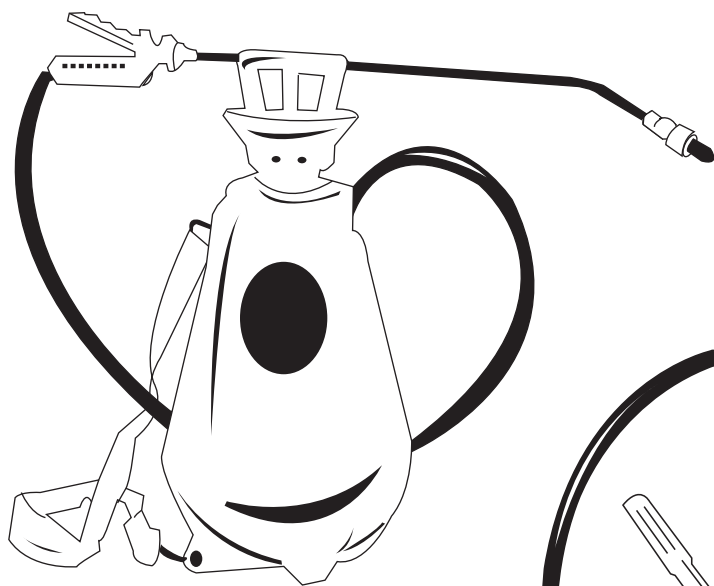
ILLUSTRATED PARTS LIST

M175

M300

M400

MANUAL SPRAYERS



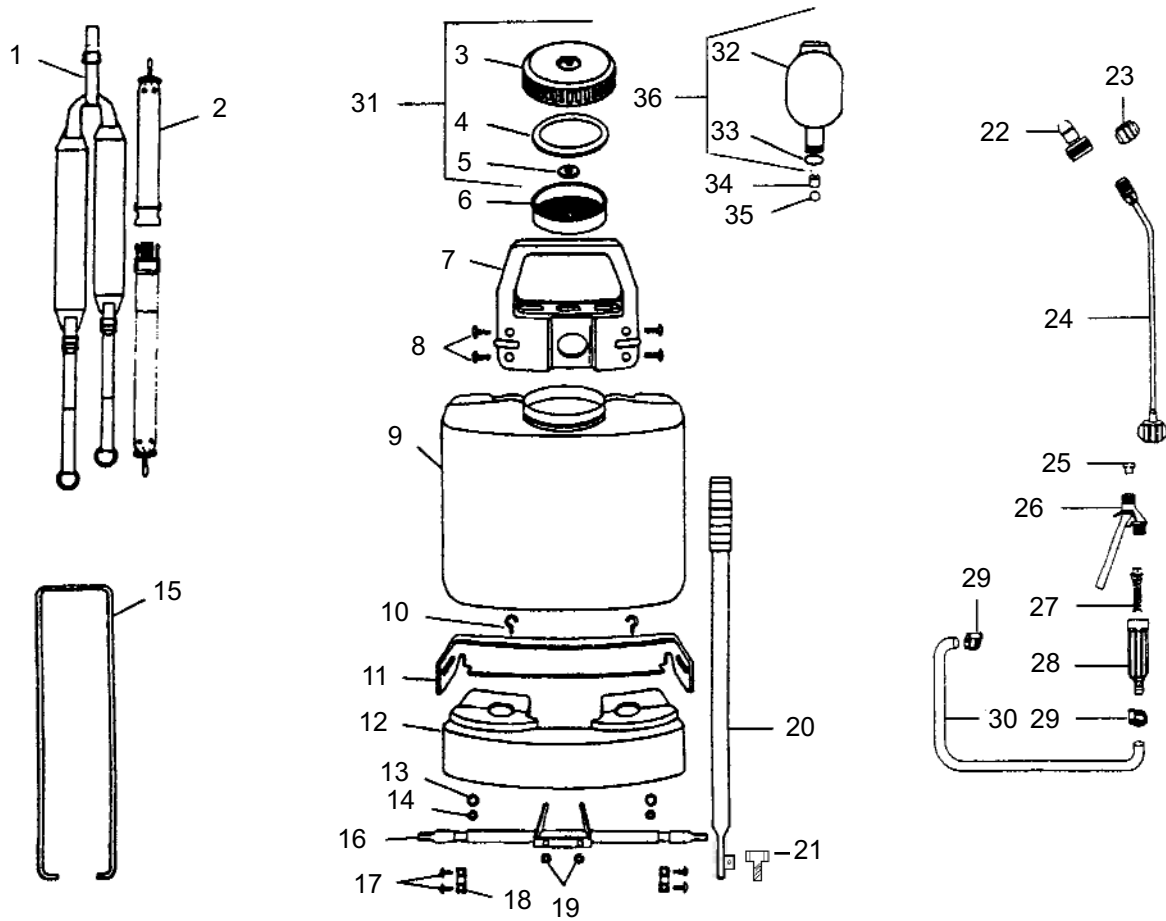
M400/M300/M175
MANUAL SPRAYERS
PART 840443-REV03/03



Maruyama. *E x t r a o r d i n a r y .*

2 ILLUSTRATED PARTS LIST
M400

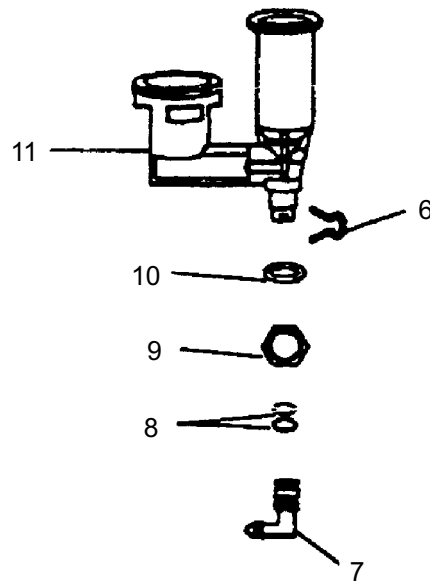
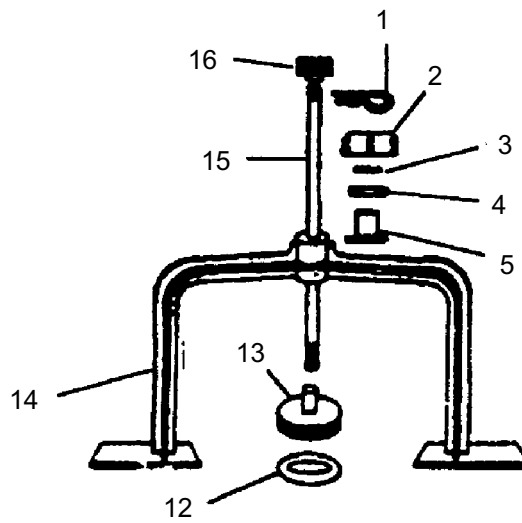
TANK & FRAME



| REF # | PART # | DESCRIPTION | Q'TY. | NOTES |
|--------------|---------------|----------------------|--------------|--------------|
| 1 | 840801 | Padded Strap Ass'y | 1 | |
| 2 | 840803 | Waist Belt | 1 | |
| 3 | 840804 | Fill Cap | 1 | |
| 4 | 840824 | Cover Gasket | 1 | |
| 5 | 840805 | Check Valve | 1 | |
| 6 | 840806 | Strainer Basket | 1 | |
| 7 | 840807 | Carry Handle | 1 | |
| 8 | 840808 | Screw | 4 | |
| 9 | 840809 | Tank | 1 | 4-gallon |
| 10 | 840810 | Hook Bolt | 2 | |
| 11 | 840811 | Lumbar Support | 1 | |
| 12 | 840812 | Base | 1 | |
| 13 | 840815 | Washer | 2 | |
| 14 | 840816 | Lock Nut | 2 | |
| 15 | 840802 | Connector Rod | 1 | |
| 16 | 840817 | Drive Rod Ass'y | 1 | |
| 17 | 840813 | Screw | 4 | |
| 18 | 840814 | Retainer Bracket | 2 | |
| 19 | 840818 | Push Nut | 2 | |
| 20 | 840823 | Pump Handle Ass'y | 1 | |
| 21 | 840826 | Hitch Pin | 1 | |
| 22 | 840850 | Nozzle Ass'y | 1 | |
| 23 | 840849 | Fan Spray Nozzle | 1 | |
| 24 | 840839 | Curved Extension 24" | 1 | Standard |
| 24 | 840840 | Curved Extension 16" | 1 | Optional |
| 25 | 840841 | Valve Seal | 1 | |
| 26 | 840842 | Shutoff Ass'y | 1 | |
| 27 | 840843 | Filter | 1 | |
| 28 | 840844 | Handle | 1 | |
| 29 | 840837 | Hose Clamp | 2 | |
| 30 | 840838 | Hose 56" | 1 | |
| 31 | 840851 | Cap Ass'y | 1 | Incl. 3-5 |
| 32 | 840819 | Reservoir | 1 | |
| 33 | 840820 | O-Ring | 1 | |
| 34 | 840821 | Check Cap (Manifold) | 1 | |
| 35 | 840822 | Check Ball | 1 | |
| 36 | 840852 | Reservoir Ass'y | 1 | Incl. 32, 33 |

PUMP ASSEMBLY TYPE 1

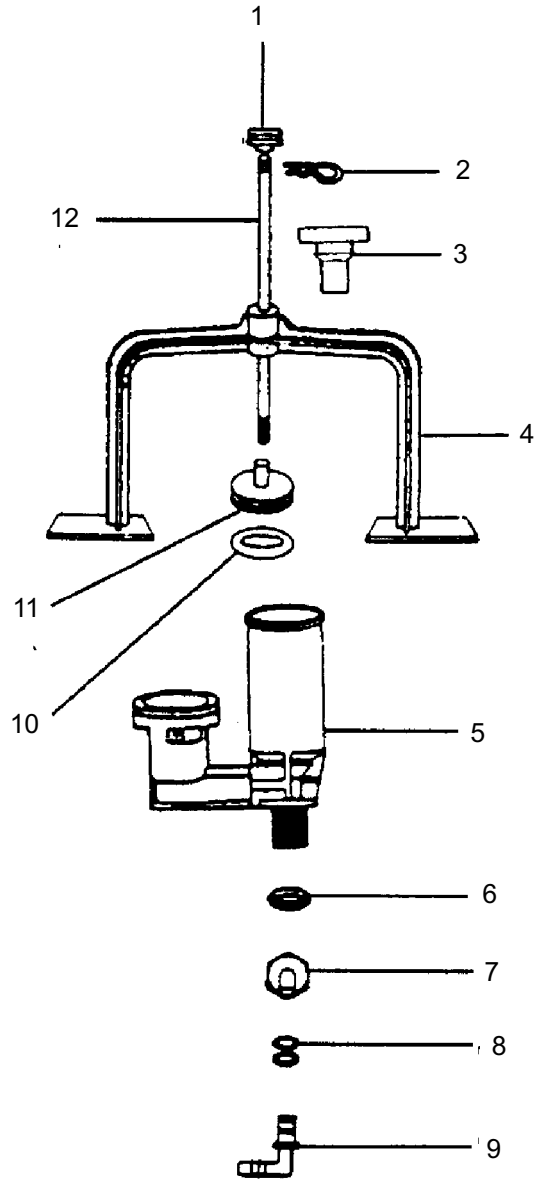
TYPE 1



| REF # | PART # | DESCRIPTION | Q'TY. | NOTES |
|--------------|---------------|--------------------|--------------|--------------|
| 1 | 840826 | Hitch Pin | 1 | |
| 2 | 840845 | Rod Seal Cap | 1 | |
| 3 | 840846 | Rod Seal Packing | 1 | |
| 4 | 840847 | Rod Seal Nut | 1 | |
| 5 | 840848 | Rod Seal Body | 1 | |
| 6 | 840832 | Clip | 1 | |
| 7 | 840836 | Pump Fitting | 1 | |
| 8 | 840835 | O-Ring | 2 | |
| 9 | 840834 | Nut | 1 | |
| 10 | 840833 | O-Ring | 1 | |
| 11 | 840854 | Pump Ass'y | 1 | Incl. 10 |
| 12 | 840830 | O-Ring | 1 | |
| 13 | 840829 | Piston | 1 | |
| 14 | 840828 | Agitator | 1 | |
| 15 | 840827 | Plunger Rod | 1 | |
| 16 | 840825 | Pivot | 1 | |

PUMP ASSEMBLY TYPE 2

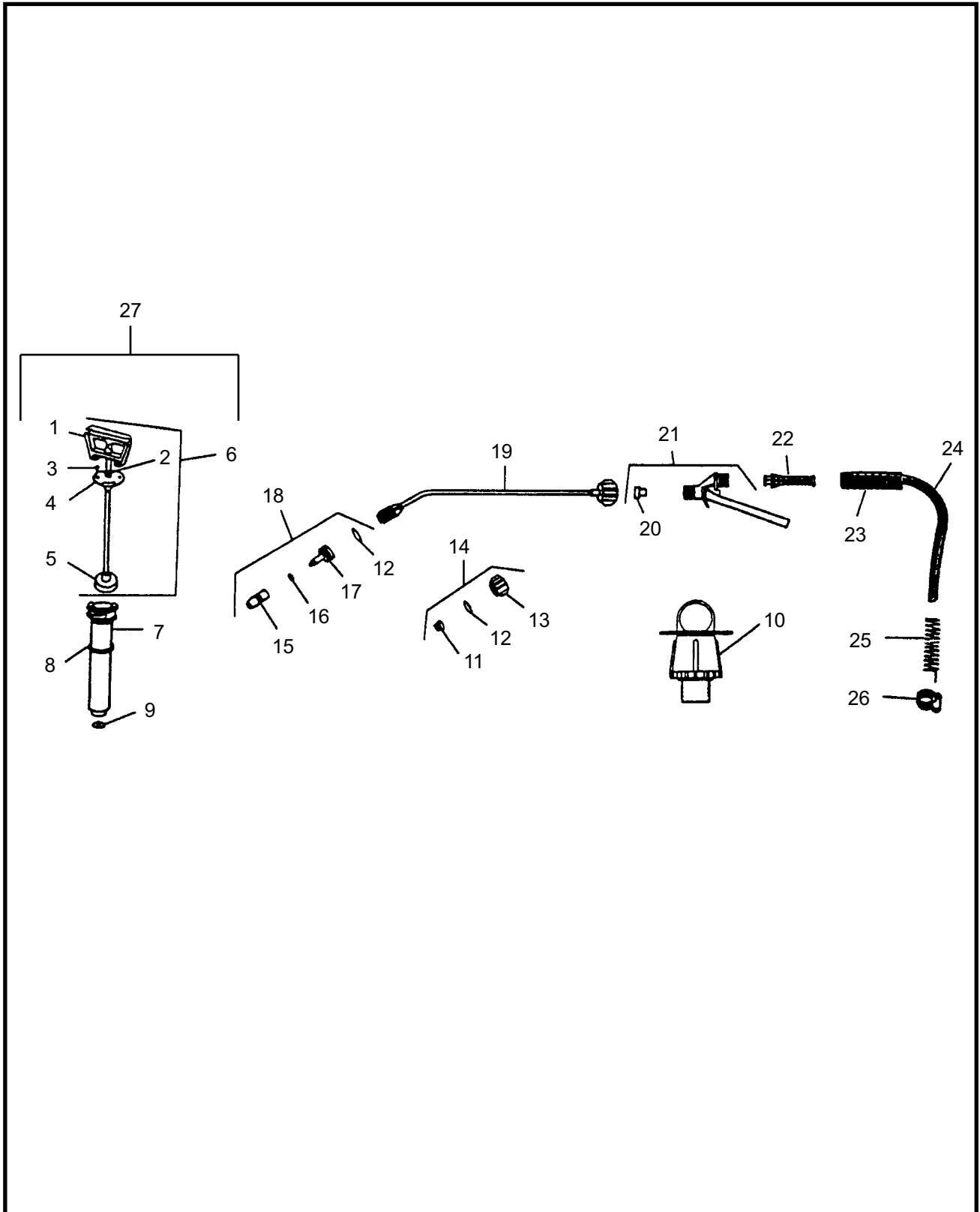
TYPE 2



| REF # | PART # | DESCRIPTION | Q'TY. | NOTES |
|--------------|---------------|--------------------|--------------|--------------|
| 1 | 840825 | Pivot | 1 | |
| 2 | 840826 | Hitch Pin | 1 | |
| 3 | 840909 | Rod Seal Grommet | 1 | |
| 4 | 840828 | Agitator | 1 | |
| 5 | 840905 | Pump Complete | 1 | Incl. 6 |
| 6 | 840906 | Pump Gasket | 1 | |
| 7 | 840907 | Nut | 1 | |
| 8 | 840835 | O-Ring | 2 | |
| 9 | 840908 | Pump Fitting | 1 | |
| 10 | 840830 | O-Ring | 1 | |
| 11 | 840829 | Piston | 1 | |
| 12 | 840904 | Plunger Ass'y | 1 | Incl. 10, 11 |

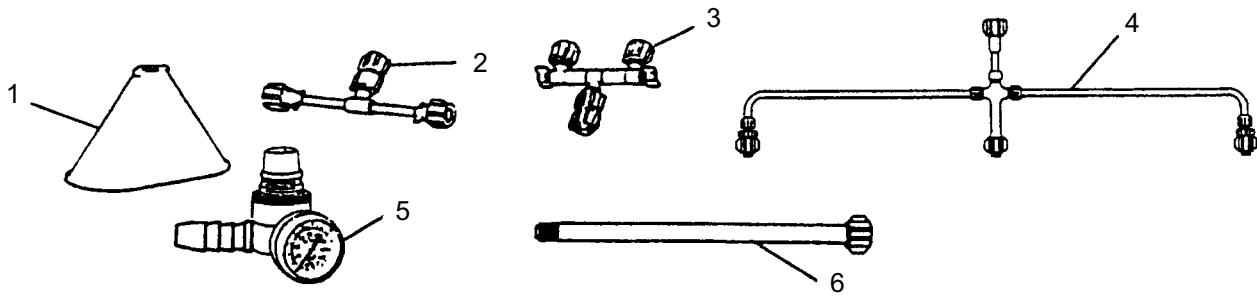
8 ILLUSTRATED PARTS LIST
M175/M300

SPRAYER



| REF # | PART # | DESCRIPTION | Q'TY. | NOTES |
|--------------|---------------|-----------------------|--------------|-----------------|
| 1 | 840883 | Handle | 1 | |
| 2 | 840881 | Spring | 1 | |
| 3 | 840877 | Cylinder Cover Screw | 1 | |
| 4 | 840878 | Cylinder Cover | 1 | |
| 5 | 840882 | Piston Ass'y | 1 | |
| 6 | 840885 | Handle Rod | 1 | Incl. 1-5 |
| 7 | 840879 | Pump Cylinder | 1 | |
| 8 | 840880 | Cylinder Gasket | 1 | |
| 9 | 840886 | Check Valve | 1 | |
| 10 | 840875 | Pressure Relief Valve | 1 | |
| 11 | 840900 | Flat Fan Nozzle | 1 | |
| 12 | 840898 | O-Ring | 1 | |
| 13 | 840890 | Nozzle Cap | 1 | |
| 14 | 840849 | Fan Spray Nozzle | 1 | Incl. 11-13 |
| 15 | 840897 | Nozzle Cap | 1 | |
| 16 | 840802 | O-Ring | 1 | |
| 17 | 840889 | Nozzle | 1 | |
| 18 | 840850 | Nozzle Ass'y | 1 | Incl. 12, 15-17 |
| 19 | 840840 | Curved Extension | 1 | 16 inch |
| 19 | 840839 | Curved Extension | 1 | 24 inch |
| 20 | 840841 | Valve Seal | 1 | |
| 21 | 840842 | Shutoff Ass'y | 1 | Incl. 20 |
| 22 | 840843 | Filter | 1 | |
| 23 | 840844 | Handle | 1 | |
| 24 | 840887 | Hose Ass'y | 1 | 48 inch |
| 25 | 840888 | Hose Guard Spring | 1 | |
| 26 | 840837 | Hose Clamp | 1 | |
| 27 | 840844 | Pump Ass'y | 1 | Incl. 1-9 |
| 28 | 840876 | Shoulder Strap | 1 | Not Shown |

ACCESSORIES



| REF # | PART # | DESCRIPTION | Q'TY. | NOTES |
|--------------|---------------|--------------------|--------------|--------------|
| 1 | 841085 | Weed Shield | 1 | |
| 2 | 841070 | Twin Nozzle Ass'y | 1 | 6 inches |
| 2 | 841071 | Twin Nozzle Ass'y | 1 | 11 inches |
| 3 | 841082 | Dual Swivel Nozzle | 1 | |
| 4 | 841093 | Spray Boom | 1 | 3 nozzle |
| 5 | 841427 | Pressure Regulator | 1 | Adjustable |
| 6 | 841084 | Lance Extension | 1 | 5 feet |



Maruyama U.S., Inc.
Post Office Box 309
Auburn, WA 98071-0309
253-735-7368 voice
253-735-1416 fax

www.maruyama-us.com