



MARUYAMA U.S., INC.

15436 N.E. 95th St., Redmond, Washington 98052
P.O. Box 2167, Redmond, Washington 98073-2167
Phone (206) 885-0811 Fax (206) 885-0123

ILLUSTRATED PARTS LIST

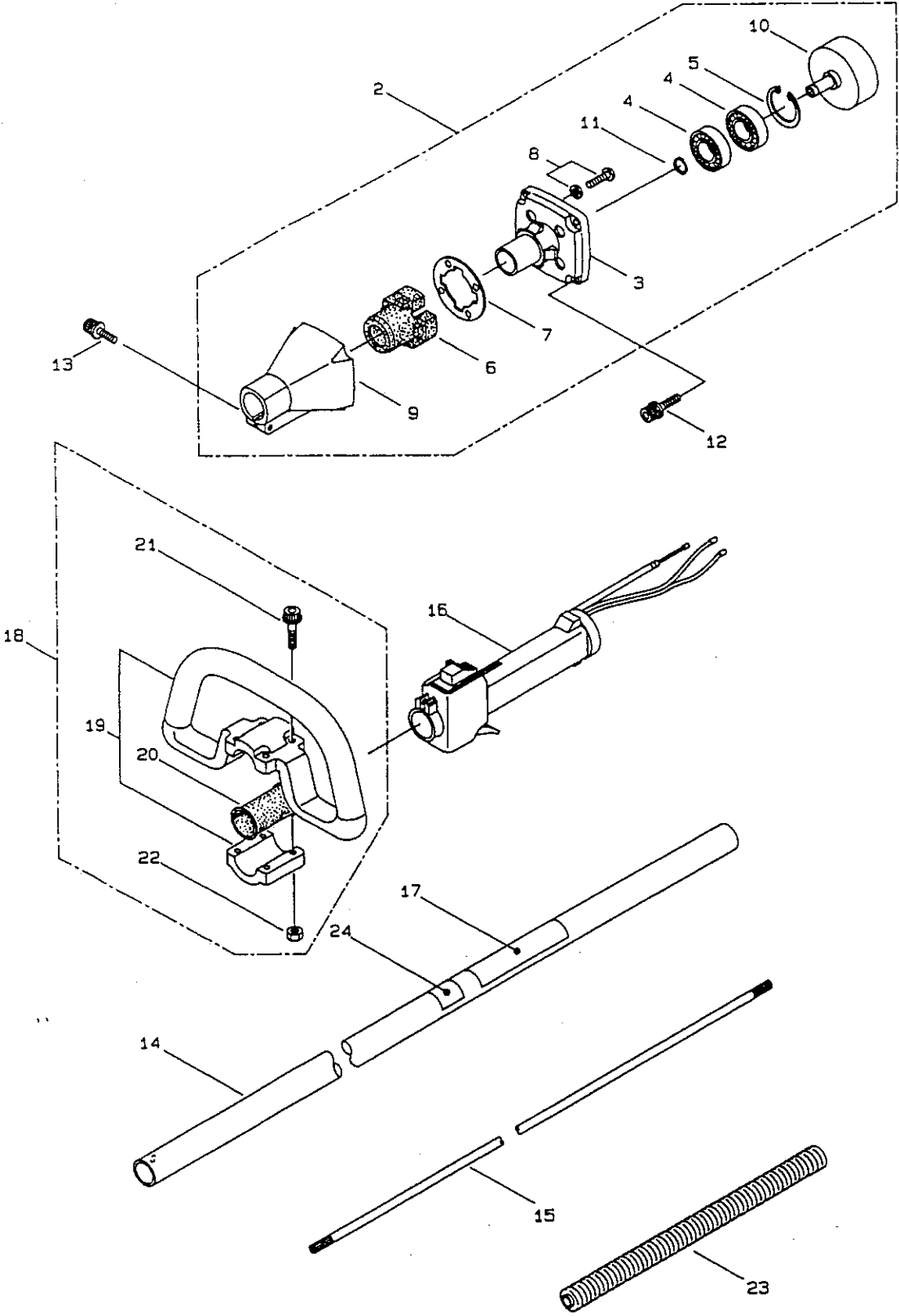
MODEL HT260D

BRUSHCUTTER

Effective 5-15-93

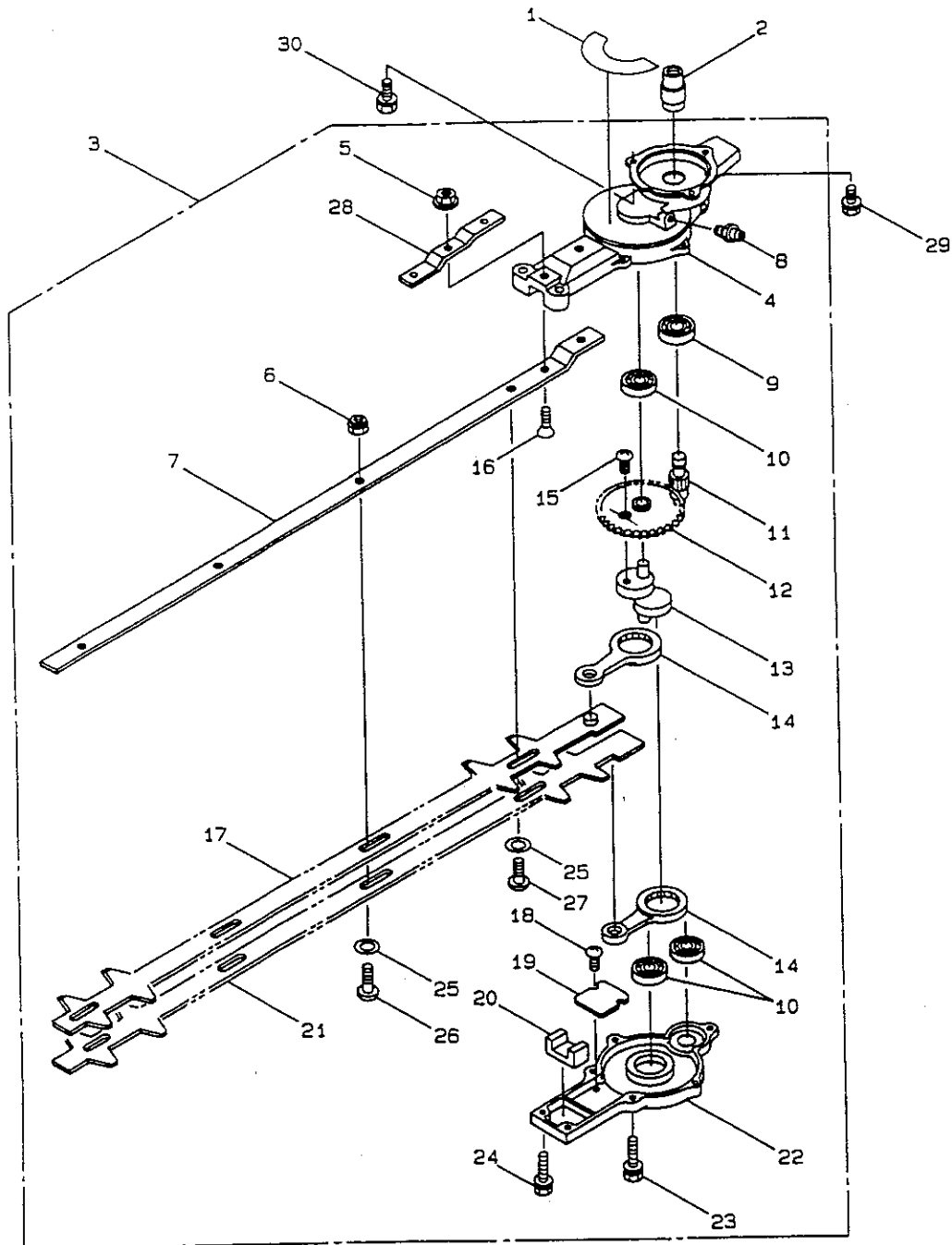


1 · DRIVESHAFT ASSEMBLY



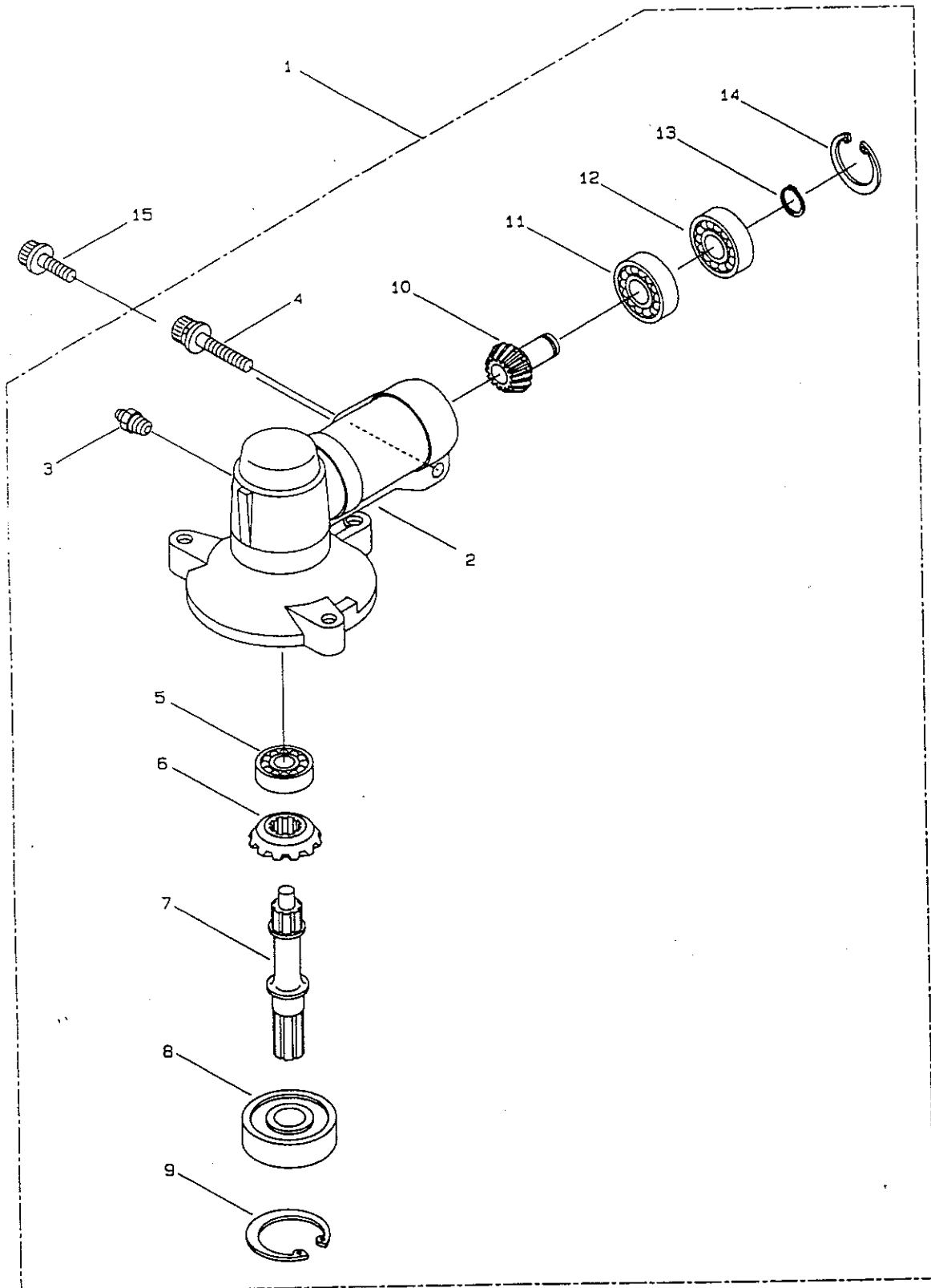
| Ref.No. | Parts No. | Parts Name | Q'ty | Remarks |
|---------|-----------|--------------------------|------|----------------|
| 1- 1 | 344792 | HT260D Ass'y | 1 | |
| 1- 2 | 215583 | Clutch Case Ass'y | 1 | Includes 3~11 |
| 1- 3 | 215606 | •Bearing Case | 1 | |
| 1- 4 | 214161 | •Bearing | 2 | #6000ZZ |
| 1- 5 | 054676 | •Snap Ring | 1 | H26 |
| 1- 6 | 214162 | •Buffer | 1 | |
| 1- 7 | 214163 | •Washer | 1 | |
| 1- 8 | 092033 | •Screw | 4 | M5×15 |
| 1- 9 | 215653 | •Driveshaft Tube Adapter | 1 | |
| 1-10 | 217722 | •Clutch Drum | 1 | |
| 1-11 | 014210 | •Snap Ring | 1 | S10 |
| 1-12 | 261250 | Cap Screw | 4 | M5×20 |
| 1-13 | 261246 | Cap Screw | 1 | M5×25 |
| 1-14 | 217648 | Driveshaft Tube | 1 | |
| 1-15 | 217649 | Driveshaft | 1 | |
| 1-16 | 217658 | Throttle Trigger | 1 | |
| 1-17 | 217653 | Label | 1 | HT260D |
| 1-18 | 215601 | Loop Handle Ass'y | 1 | Includes 19~22 |
| 1-19 | 214982 | •Loop Handle | 1 | |
| 1-20 | 213171 | •Packing | 1 | |
| 1-21 | 215608 | •Cap Screw | 4 | M5×30×16 |
| 1-22 | 089846 | •Nut | 4 | M5 |
| 1-23 | 215403 | Plastic Tube | 1 | |
| 1-24 | 217879 | Label | 1 | |

2 · BLADES/TRANSMISSION



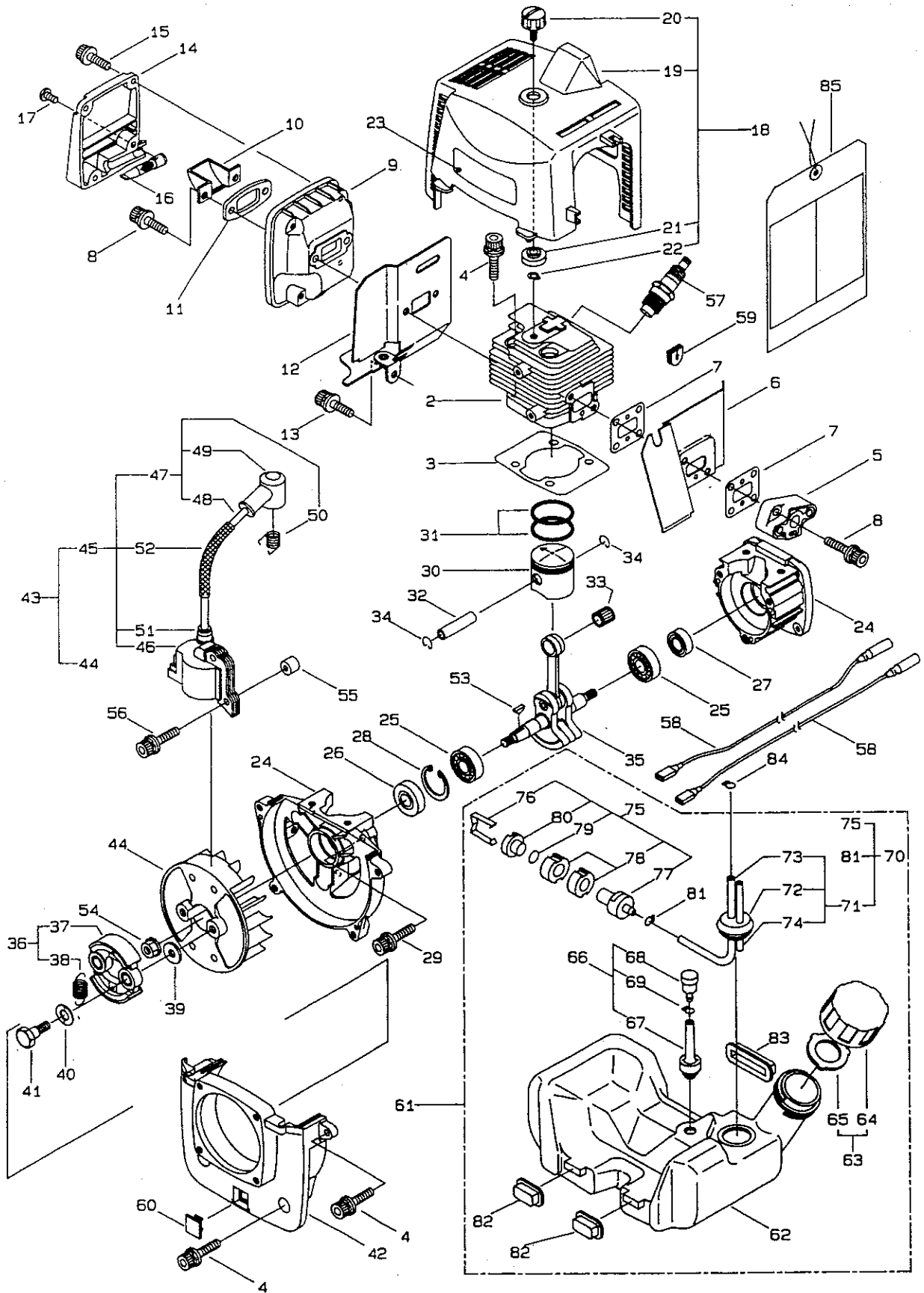
| Ref.No. | Parts No. | Parts Name | Q'ty | Remarks |
|---------|-----------|--------------------------------|------|---------------|
| 2- 1 | 217880 | Label | 1 | |
| 2- 2 | 217663 | Joint | 1 | |
| 2- 3 | 217662 | Blabe/Transmission Ass'y.(24") | 1 | Includes 4~28 |
| 2- 4 | 997274 | •Upper Case | 1 | |
| 2- 5 | 997244 | •Flange Nut | 2 | M5 |
| 2- 6 | 991941 | •U-Nut | 4 | M6 |
| 2- 7 | 581912 | •Plate Guide | 1 | |
| 2- 8 | 991937 | •Grease Nipple | 1 | M6 |
| 2- 9 | 580767 | •Bearing | 1 | #6001RS |
| 2-10 | 580768 | •Bearing | 3 | #608Z |
| 2-11 | 580769 | •Pinion | 1 | |
| 2-12 | 580771 | •Crank Gear | 1 | |
| 2-13 | 580772 | •Crank | 1 | |
| 2-14 | 997282 | •Rod Ass'y | 2 | |
| 2-15 | 580770 | •Screw | 1 | M5×10 |
| 2-16 | 991931 | •Screw | 2 | M5×20 |
| 2-17 | 581913 | •Upper Blade | 1 | |
| 2-18 | 991924 | •Screw | 2 | M3×5 |
| 2-19 | 991919 | •Rod Slide Plate | 1 | |
| 2-20 | 997286 | •Felt | 1 | |
| 2-21 | 581914 | •Lower Blade | 1 | |
| 2-22 | 997288 | •Lower Case | 1 | |
| 2-23 | 580791 | •Bolt (WSW) | 5 | M5×16 |
| 2-24 | 580790 | •Bolt (WSW) | 2 | M5×20 |
| 2-25 | 991913 | •Washer | 4 | |
| 2-26 | 991914 | •Screw | 3 | M6×19 |
| 2-27 | 991912 | •Screw | 1 | M6×22 |
| 2-28 | 991973 | •Reinforcing Plate | 1 | |
| 2-29 | 092555 | Bolt (+)SW | 1 | M6×30 |
| 2-30 | 092552 | Bolt (+)SW | 2 | M6×20 |

3-ANGLE DRIVE ASSEMBLY



| Ref.No. | Parts No. | Parts Name | Q'ty | Remarks |
|---------|-----------|----------------------|------|----------------|
| 3- 1 | 217655 | Angle Drive Ass'y | 1 | Includes 2~ 14 |
| 3- 2 | 217656 | •Gearcase | 1 | |
| 3- 3 | 069553 | •Grease Nipple | 1 | A-MT6× 1 |
| 3- 4 | 261246 | •Cap Screw, Clamping | 1 | M5× 25 |
| 3- 5 | 210554 | •Bearing | 1 | #608 |
| 3- 6 | 217650 | •Gear | 1 | |
| 3- 7 | 210556 | •Blade Shaft | 1 | |
| 3- 8 | 217659 | •Bearing | 1 | #6201 2RK |
| 3- 9 | 016732 | •Snap Ring | 1 | H32 |
| 3-10 | 217660 | •Pinion Gear | 1 | |
| 3-11 | 210560 | •Bearing | 1 | #609 |
| 3-12 | 140268 | •Bearing | 1 | #609Z |
| 3-13 | 140269 | •Snap Ring | 1 | S9 |
| 3-14 | 140270 | •Snap Ring | 1 | H24 |
| 3-15 | 261762 | Cap Screw, Alignment | 1 | M5× 14 |

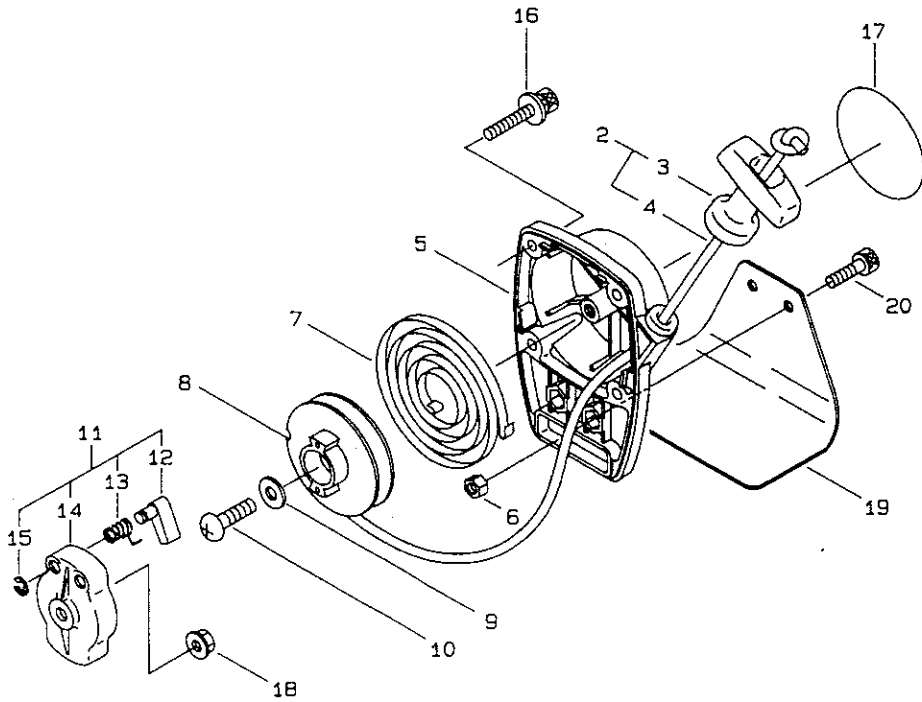
4 · ENGINE



| Ref.No. | Parts No. | Parts Name | Q'ty | Remarks |
|---------|-----------|----------------------------|------|----------------------------|
| 4- 1 | 262411 | Engine Ass'y-Complete | 1 | AE260/24 |
| 4- 2 | 261472 | Cylinder | 1 | New gasket required |
| 4- 3 | 262200 | Gasket | 1 | |
| 4- 4 | 261250 | Cap Screw | 8 | M5×20 |
| 4- 5 | 261938 | Insulator | 1 | New gasket required |
| 4- 6 | 261476 | Air Duct | 1 | |
| 4- 7 | 261171 | Gasket | 2 | |
| 4- 8 | 261246 | Cap Screw | 4 | M5×25 |
| 4- 9 | 262393 | Muffler Body | 1 | New muffler cover required |
| 4-10 | 261368 | Deflector | 1 | |
| 4-11 | 261986 | Deflector Plate | 1 | |
| 4-12 | 261478 | Gasket | 1 | |
| 4-13 | 261607 | Cap Screw | 1 | M5×16 |
| 4-14 | 262394 | Muffler Cover | 1 | New muffler body required |
| 4-15 | 261250 | Cap Screw | 4 | M5×20 |
| 4-16 | 262395 | Spark Arrestor | 1 | |
| 4-17 | 089530 | Screw, Spark Arrestor | 1 | M3×10 |
| 4-18 | 261483 | Top Cover Ass'y | 1 | Includes 19~22 (No Label) |
| 4-19 | 261484 | •Top Cover | 1 | New label required |
| 4-20 | 261018 | •Knob | 1 | |
| 4-21 | 261020 | •Spacer | 1 | |
| 4-22 | 261734 | •Snap Ring | 1 | #5 |
| 4-23 | 262100 | Label | 1 | MARUYAMA |
| 4-24 | 261486 | Crankcase | 1 | |
| 4-25 | 261491 | Bearing | 2 | 6001C3 |
| 4-26 | 261492 | Oil Seal | 1 | ISCD12287 |
| 4-27 | 261386 | Oil Seal | 1 | ISCD12227 |
| 4-28 | 055185 | Snap Ring | 1 | H28 |
| 4-29 | 261612 | Cap Screw | 3 | M5×30 |
| 4-30 | 261494 | Piston | 1 | |
| 4-31 | 261496 | Piston Ring | 2 | (2)Required |
| 4-32 | 261497 | Piston Pin | 1 | |
| 4-33 | 261037 | Needle Bearing | 1 | KBK8×11×11.8×1 |
| 4-34 | 261576 | Clip, Piston Pin | 2 | |
| 4-35 | 261499 | Crankshaft/Conn. Rod Ass'y | 1 | |
| 4-36 | 261405 | Clutch Ass'y | 1 | Includes 37,38 |
| 4-37 | 261406 | •Clutch Shoe | 2 | (2)Required |
| 4-38 | 262203 | •Spring, Clutch | 1 | |
| 4-39 | 261189 | Washer | 2 | φ6×φ16.5×t1.2 |
| 4-40 | 261777 | Wave Washer | 2 | |
| 4-41 | 261056 | Clutch Bolt | 2 | M6 |
| 4-42 | 261251 | Fan Cover | 1 | |
| 4-43 | 261357 | Magneto Ass'y | 1 | Includes 44~52 |
| 4-44 | 261356 | •Rotor/Fan | 1 | |
| 4-45 | 261069 | •Ignition Coil Ass'y | 1 | Includes 46~52 |
| 4-46 | 261070 | ••Coil | 1 | |
| 4-47 | 261744 | ••Spark Plug Wire Ass'y | 1 | Includes 48~50 |
| 4-48 | 261071 | •••Spark Plug Wire | 1 | |
| 4-49 | 261074 | •••Plug Boot | 1 | |
| 4-50 | 261075 | •••Connector | 1 | |
| 4-51 | 261072 | ••Cap | 1 | |
| 4-52 | 261073 | ••Insulator | 1 | φ6×φ6.8×80L |

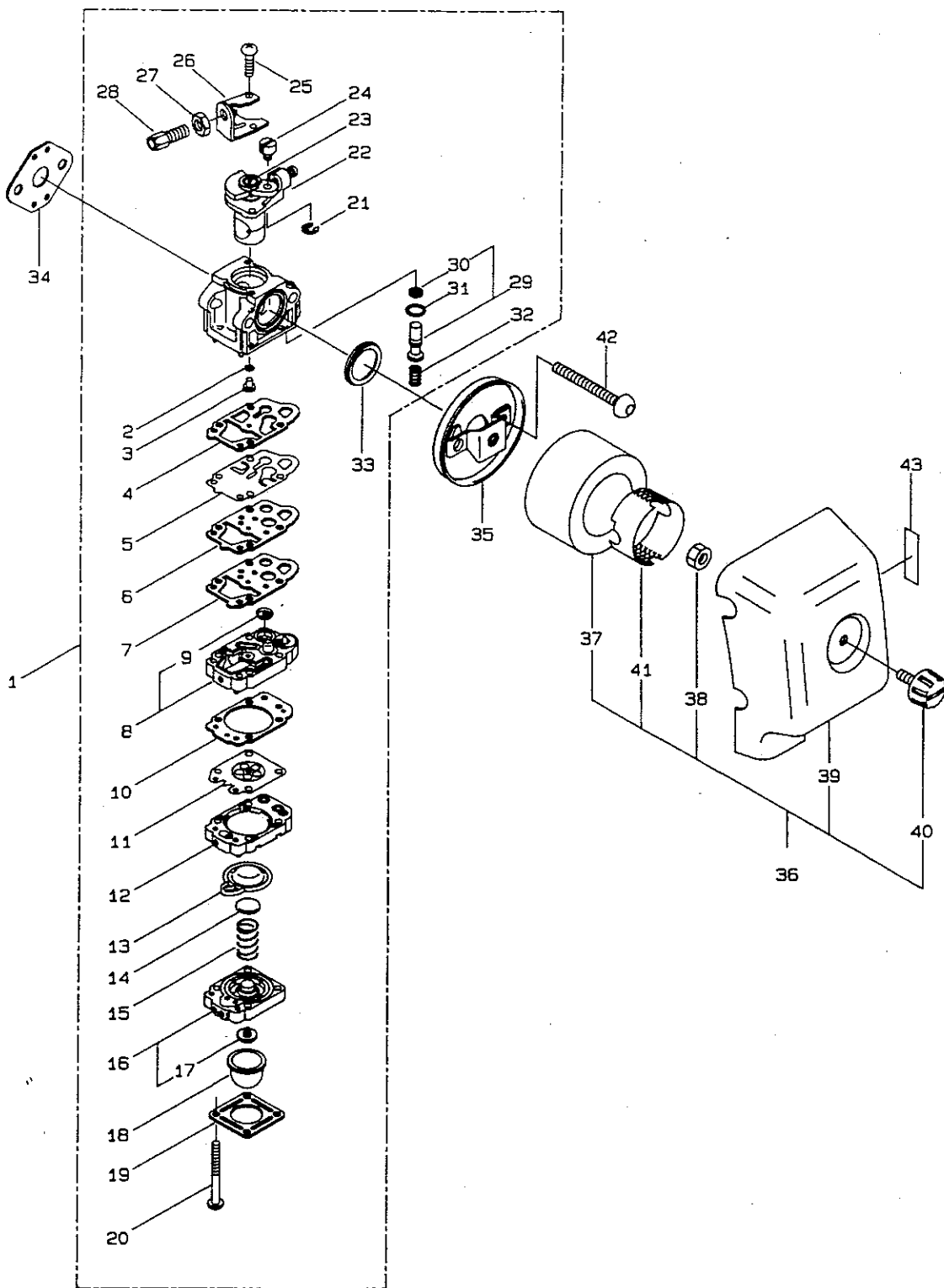
| Ref.No. | Parts No. | Parts Name | Q'ty | Remarks |
|---------|-----------|----------------------------|------|----------------|
| 4-53 | 261076 | Woodruff Key | 1 | |
| 4-54 | 261417 | Nut, Rotor | 1 | M8 |
| 4-55 | 261078 | Spacer | 2 | |
| 4-56 | 261256 | Cap Screw | 2 | M4×25 |
| 4-57 | 261200 | Spark Plug | 1 | NGK BPM6Y |
| 4-58 | 261772 | Wire, Coil Ground | 2 | |
| 4-59 | 261202 | Grommet | 1 | |
| 4-60 | 261786 | Plug | 1 | |
| 4-61 | 261962 | Fuel Tank Ass'y | 1 | Includes 62~83 |
| 4-62 | 261963 | •Fuel Tank | 1 | |
| 4-63 | 261584 | •Fuel Tank Cap Ass'y | 1 | Includes 64,65 |
| 4-64 | 261578 | ••Fuel Tank Cap | 1 | |
| 4-65 | 261105 | ••Gasket | 1 | |
| 4-66 | 261696 | •Breather Ass'y | 1 | Includes 67~69 |
| 4-67 | 261697 | ••Grommet | 1 | |
| 4-68 | 261590 | ••Breather | 1 | |
| 4-69 | 261698 | ••Clip | 1 | |
| 4-70 | 261846 | •Fuel Pipe Pick-up Ass'y | 1 | Includes 71~81 |
| 4-71 | 261688 | ••Fuel Pipe Ass'y | 1 | Includes 72~74 |
| 4-72 | 261115 | •••Grommet | 1 | |
| 4-73 | 261690 | •••Fuel Pipe | 1 | |
| 4-74 | 261114 | •••Return Pipe | 1 | φ 3×φ 5×70L |
| 4-75 | 261797 | ••Fuel Filter Ass'y | 1 | Includes 76~80 |
| 4-76 | 261798 | •••Clip | 1 | |
| 4-77 | 261799 | •••Body | 1 | |
| 4-78 | 261800 | •••Filter | 2 | |
| 4-79 | 261801 | •••Packing | 1 | |
| 4-80 | 261802 | •••Retainer | 1 | |
| 4-81 | 261117 | ••Clip | 1 | |
| 4-82 | 261118 | •Pad | 2 | |
| 4-83 | 261119 | •Pad | 1 | |
| 4-84 | 261117 | Clip | 1 | |
| 4-85 | 262129 | Card, Starting Instruction | 1 | |

5-REWIND STARTER ASSEMBLY



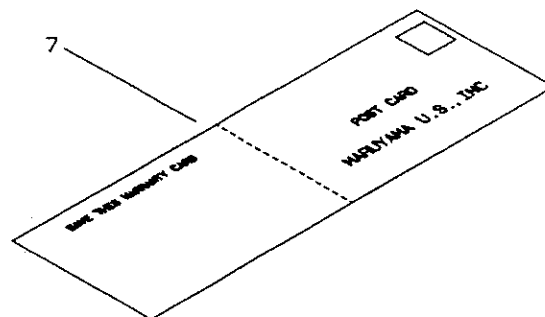
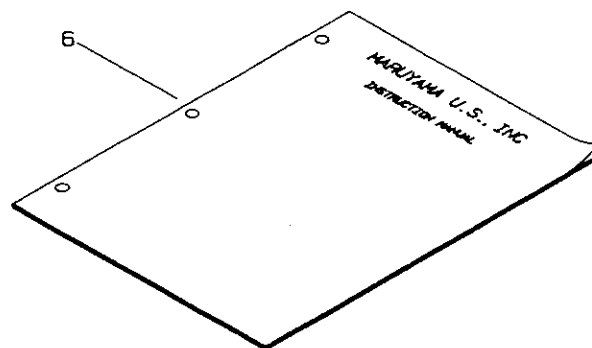
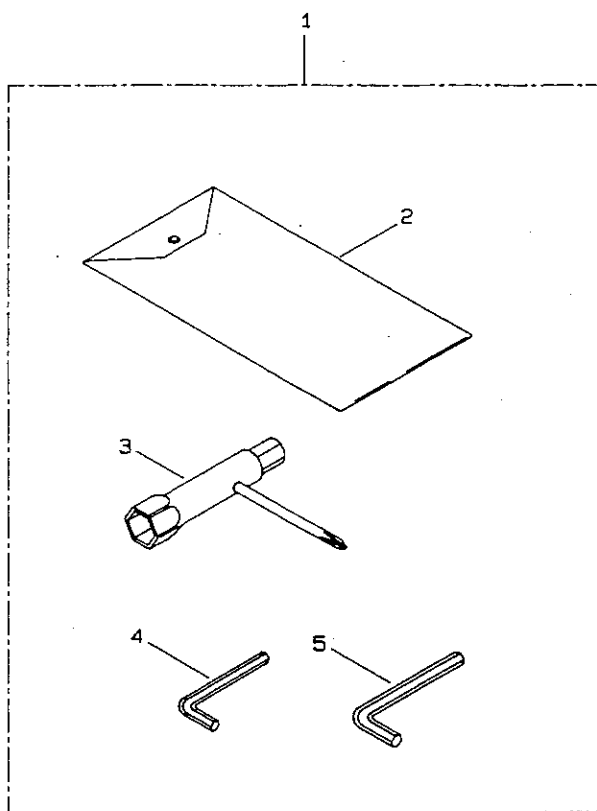
| Ref.No. | Parts No. | Parts Name | Q'ty | Remarks |
|---------|-----------|----------------------|------|----------------|
| 5- 1 | 262039 | Rewind Starter Ass'y | 1 | Includes 2~10 |
| 5- 2 | 261723 | •Rope Ass'y | 1 | Includes 3,4 |
| 5- 3 | 261725 | ••Starter Grip | 1 | |
| 5- 4 | 261724 | ••Starter Rope | 1 | |
| 5- 5 | 262040 | •Starter Case | 1 | Includes 6 |
| 5- 6 | 081028 | ••Nut | 2 | M5 |
| 5- 7 | 261721 | •Rewind Spring | 1 | |
| 5- 8 | 261720 | •Pulley | 1 | |
| 5- 9 | 261722 | •Washer | 1 | |
| 5-10 | 261624 | •Screw | 1 | M5×12 |
| 5-11 | 261421 | Starter Pawl Ass'y | 1 | Includes 12~15 |
| 5-12 | 261727 | •Pawl | 1 | |
| 5-13 | 261728 | •Return Spring | 1 | |
| 5-14 | 261726 | •Pawl Case | 1 | |
| 5-15 | 020299 | •E-Ring | 1 | #4 |
| 5-16 | 261257 | Cap Screw | 4 | M4×16 |
| 5-17 | 260459 | Label | 1 | |
| 5-18 | 081040 | Nut | 1 | M8 |
| 5-19 | 262415 | Stand | 1 | |
| 5-20 | 261607 | Cap Screw | 2 | M5×16 |

6. CARBURETOR AND AIR FILTER ASSEMBLY



| Ref.No. | Parts No. | Parts Name | Q'ty | Remarks |
|---------|-----------|-----------------------|------|----------------|
| 6- 1 | 261755 | Carburetor Ass'y | 1 | Includes 2~33 |
| 6- 2 | 261871 | •O-Ring | 1 | |
| 6- 3 | 262121 | •Main Jet | 1 | #41 |
| 6- 4 | 261637 | •Gasket | 1 | |
| 6- 5 | 261638 | •Diaphragm, Fuel Pump | 1 | |
| 6- 6 | 261639 | •Plate | 1 | |
| 6- 7 | 261640 | •Gasket | 1 | |
| 6- 8 | 261641 | •Pump Body | 1 | Includes 9 |
| 6- 9 | 261872 | ••Inlet Screen | 1 | |
| 6-10 | 261642 | •Gasket | 1 | |
| 6-11 | 261873 | •Diaphragm, Metering | 1 | |
| 6-12 | 262496 | •Diaphragm Body | 1 | |
| 6-13 | 261644 | •Diaphragm, Primer | 1 | |
| 6-14 | 261650 | •Retainer | 1 | |
| 6-15 | 261649 | •Spring | 1 | |
| 6-16 | 261645 | •Purge Body | 1 | Includes 17 |
| 6-17 | 261646 | ••Valve | 1 | |
| 6-18 | 261874 | •Primer Bulb | 1 | |
| 6-19 | 261647 | •Cover Plate | 1 | |
| 6-20 | 261648 | •Screw | 4 | |
| 6-21 | 261876 | •E-Ring | 1 | |
| 6-22 | 261651 | •Throttle Valve Ass'y | 1 | |
| 6-23 | 261652 | •Plug | 1 | |
| 6-24 | 261658 | •Swivel | 1 | |
| 6-25 | 261875 | •Screw | 2 | |
| 6-26 | 261659 | •Bracket | 1 | |
| 6-27 | 261878 | •Nut | 1 | |
| 6-28 | 261877 | •Adapter | 1 | |
| 6-29 | 261653 | •Injection Button | 1 | Includes 30 |
| 6-30 | 261654 | ••Packing | 1 | |
| 6-31 | 261655 | •O-Ring | 1 | |
| 6-32 | 261656 | •Spring | 1 | |
| 6-33 | 261657 | •Packing | 1 | |
| 6-34 | 261864 | Gasket | 1 | |
| 6-35 | 261090 | Air Filter Plate | 1 | |
| 6-36 | 262447 | Air Filter Ass'y | 1 | Includes 37~41 |
| 6-37 | 261598 | •Foam Element | 1 | |
| 6-38 | 260903 | •Nut | 1 | |
| 6-39 | 261913 | •Air Filter Cover | 1 | |
| 6-40 | 261018 | •Knob | 1 | |
| 6-41 | 261993 | •Screen | 1 | |
| 6-42 | 261814 | Cap Screw | 2 | M5×50 |
| 6-43 | 261803 | Label | 1 | |

7 · ACCESSORIES



| Ref. No. | Parts No. | Parts Name | Q'ty | Remarks |
|----------|-----------|--------------------|------|---------------------|
| 7- 1 | 215585 | Tool Kit | 1 | Includes 2~5 |
| 7- 2 | 054753 | •Tool Bag | 1 | |
| 7- 3 | 210418 | •Box Spanner | 1 | 13×19×⊕ Screwdriver |
| 7- 4 | 062047 | •Wrench | 1 | 3mm |
| 7- 5 | 105489 | •Wrench | 1 | 4mm |
| 7- 6 | 217645 | Instruction Manual | 1 | |
| 7- 7 | 216007 | Warranty Card | 1 | |