



MARUYAMA U.S., INC.

301 – 30th Street NE, Suite 118, Auburn, WA 98002
PO Box 309, Auburn, WA 98071-0309
Phone (253) 735-7368 Fax (253) 735-1416

ILLUSTRATED PARTS LIST

MODEL HT242
MODEL HT242L

HEDGE TRIMMER

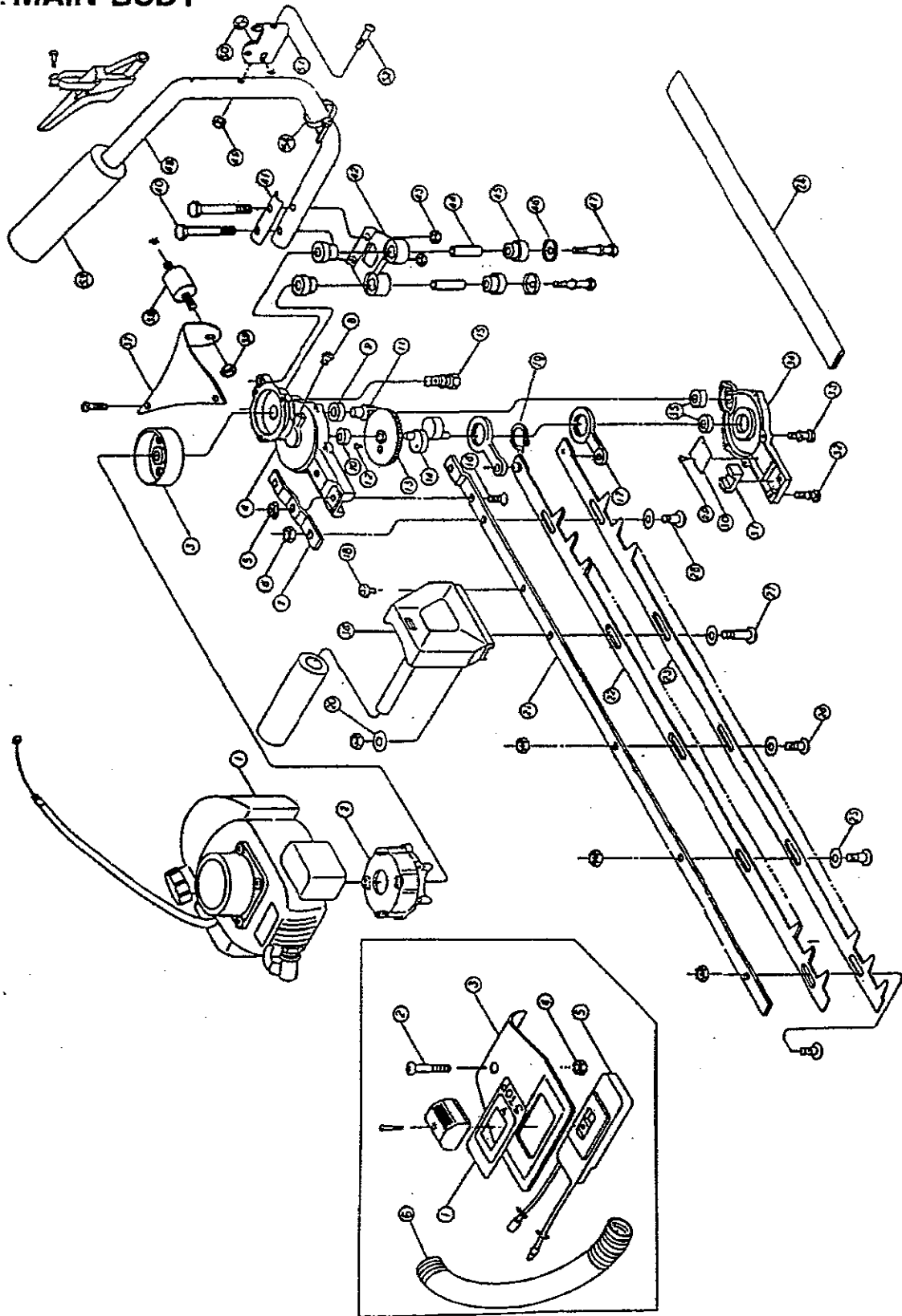
Effective 7-92



Maruyama — Manufacturing quality agricultural sprayers and equipment since 1895.

PARTS LIST

1. MAIN BODY



MARUYAMA U.S.,INC.

Ref.No.	Parts No.	Parts Name	Q'ty		Ref.No.	Parts No.	Parts Name	Q'ty	
			HT242	HT24E				HT242	HT24E
1	216966	Engine	1	1	37	997255	Stay for anti-vibration rubber A	1	1
2	577127	Spacer	1	1	38	991961	Rubber for anti-vibration	1	1
3	580761	Drum	1	1	39	991941	Hexagon u-nut (M6)	1	1
4	580762	Upper Case	1	1	40	580796	Hexagon head bolt (M5X30)	2	2
5	997244	Frange nut (M5)	2	2	41	577133	Handle fitting	1	1
6	991941	Hexagon U-nut (M6)	5	7	42	577136	Handle Bracket	1	1
7	991973	Reinforcing plate	1	1	43	991938	Hexagon nut (M5)	2	2
8	991937	Grese Nipple (M6)	1	1	44	577137	Coller	2	2
9	580767	Ball Bearing (# 6001-2ps)	1	1	45	577138	Rubber for anti-vibration	4	4
10	580768	Ball Bearing (# 608-z)	1	1	46	577139	Fitting rubber	2	2
11	580769	Gear (Small)	1	1	47	580803	Hexagon head bolt (M6X35)(washer/sw)	2	2
12	580770	Screw (M5X10)	1	1	48	580804	Left handle	1	1
13	580771	Gear (large)	1	1	49	991938	Hexagon nut (M5)	1	1
14	580772	Crank	1	1	50	991941	Hexagon u-nut (M6)	1	1
15	991971	Hexagon head bolt(M6X15)(washer/sw)	3	3	51	997242	Stay for anti-vibration rubber B	1	1
16	991931	Screw (M5X20)	2	2	52	991954	Screw (M5X25)	1	1
17	997282	Rod	2	2	53	577134	Handle rubber	2	2
18	580776	Hexagon head bolt (M6X18)(washer pw/sw)	1	1	54	580808	Cord band (CV-150)	1	1
19	580777	Snap ring (STW-26)	1	1					
20	991964	Plain washer (M6) (φ6.5Xφ13Xt1.0)	1	1					
21	577131	Plate	1		1	580809	Label	1	1
	580815	Plate		1	2	991954	Screw (M5X25)	1	1
22	997249	Upper Blade - 30 Inch	1		3	580810	Switch stay	1	1
	571624	Upper Blade - 40 Inch		1	4	991938	Hexagon nut (M5)	1	1
23	997250	Lower Blade - 30 Inch	1		5	580811	Switch ass'y	1	1
	571625	Lower Blade - 40 Inch		1	6	580812	Corrugated tube	1	1
24	580782	Blade Cover - 30 Inch	1		NOT SHOWN	840337	Warning Label for Cutting Blades	1	1
	580816	Blade Cover - 40 Inch		1					
25	991913	Washer for blade slide	5	7					
26	991914	Screw for fitting blade (ℓ =19)	3	5					
27	991918	Screw for fitting blade (ℓ =29)	1	1					
28	991912	Screw for fitting blade (ℓ =22)	1	1					
29	991924	Screw (M3X5)	2	2					
30	991919	Rod slide plate	1	1					
31	997286	Felt	1	1					
32	580790	Hexagon head bolt (M5X20) (washer/sw)	2	2					
33	580791	Hexagon head bolt (M5X16) (washer/sw)	5	5					
34	580792	Lower case	1	1					
35	580768	Ball Bearing (# 608-z)	2	2					
36	997247	Right handle	1	1					

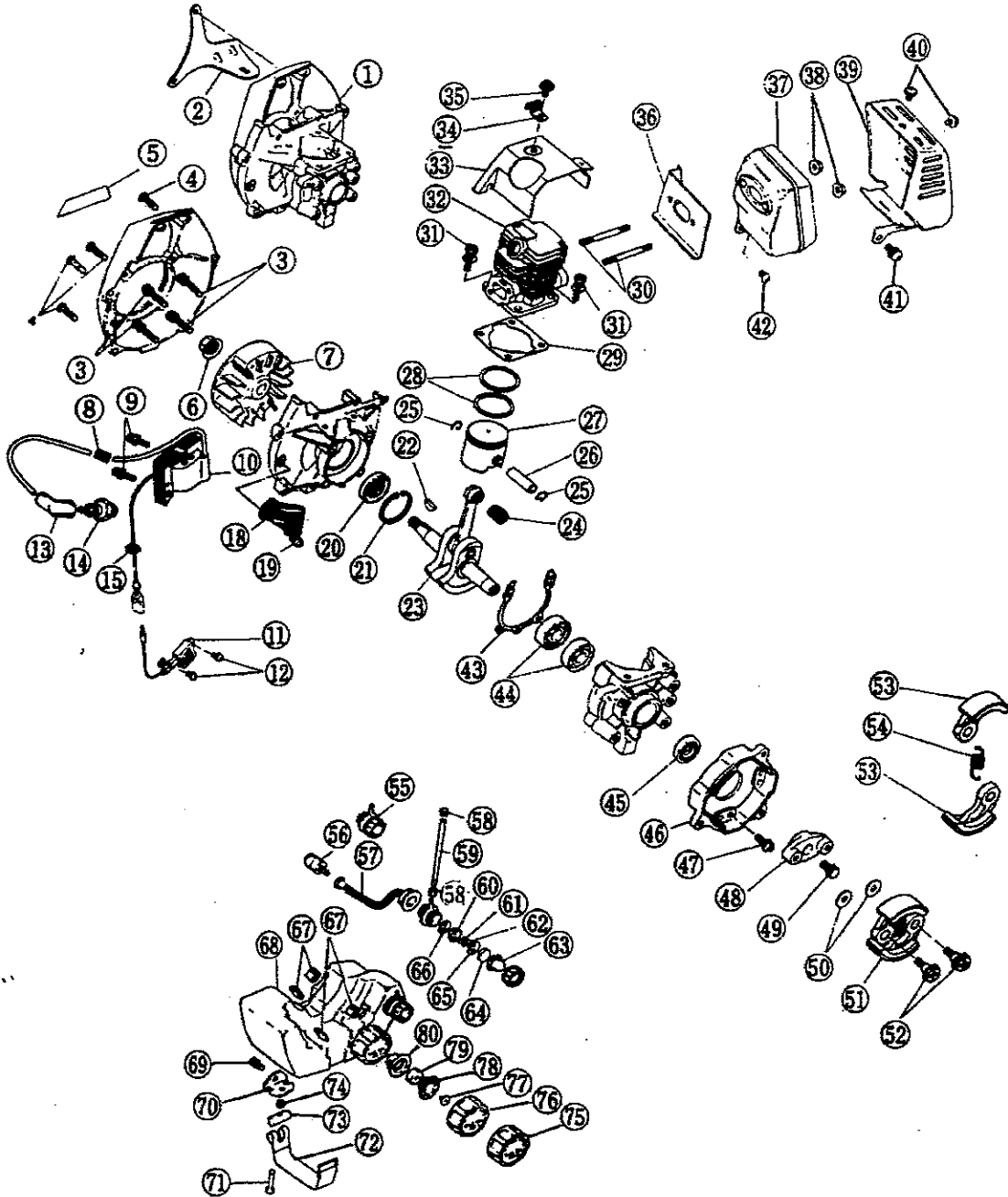
PARTS LIST

2. ENGINE (CRANK CASE, CYLINDER)

NOT SHOWN: DEBRIS SCREENS FOR AIR INTAKES:

P/N: 840335 (MUFFLER SIDE)

P/N: 840336 (BACK SIDE)

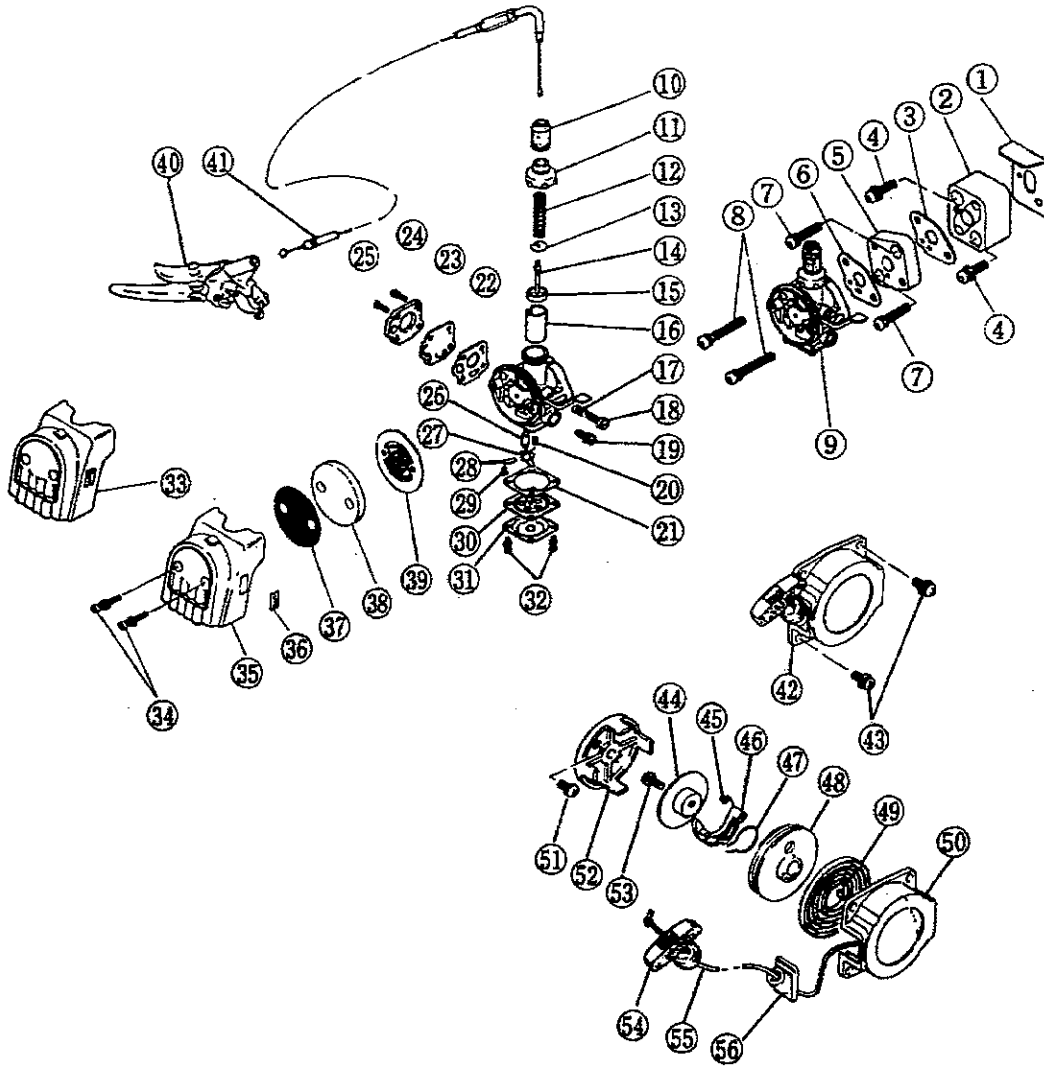


MARUYAMA U.S.,INC.

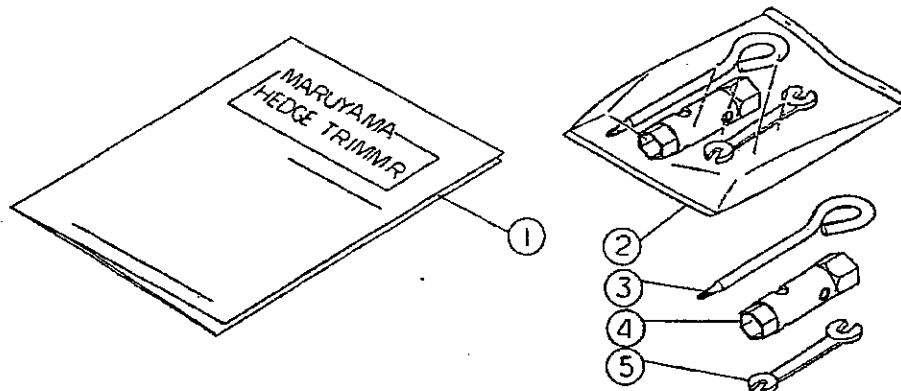
Ref.No.	Parts No.	Parts Name	Q'ty	Ref.No.	Parts No.	Parts Name	Q'ty
2-1	997330	Crank case ass'y (with ref No.3,4)	1	2-41	979338	Screw	1
2-2	997255	Bracket	1	2-42	997337	Screw	1
2-3	971819	Screw	4	2-43	972820	Packing, case	1
2-4	912606	Screw	4	2-44	971823	Bearing, ball (# 6201)	2
2-5	997331	Name plate	1	2-45	971734	Oil seal (TC12,22,7)	1
2-6	990136	Nut	1	2-46	577127	Spacer	1
2-7	997332	Flywheel	1	2-47	971817	Screw	4
2-8	912635	Grommet	1	2-48	997301	Base, clutch	1
2-9	977301	Bolt	2	2-49	997302	Bolt	1
2-10	991092	Coil, Ignition (early production)	1	2-50	912642	washer	2
	577219	Coil, Ignition (late production)	1	2-51	997338	Clutch ass'y (with ref No.53,54)	1
2-11	991100	Module, Ign. (not used w/late production)	1	2-52	990679	Bolt, clutch	2
2-12	970899	Screw	2	2-53	997339	Clutch, shoe	2
2-13	977306	Cap. spark plug	1	2-54	997340	Spring	1
2-14	910519	Spark Plug (NGK BM6A)	1	2-55	971736	Primer pump ass'y (with ref No.60~66)	1
2-15	912618	Grommet	1	2-56	971737	Filter, fuel	1
			1	2-57	977571	Hose, fuel pick-up	1
2-18	977311	Clamp	1	2-58	971781	Clip, fuel pipe	2
2-19	972891	Screw	1	2-59	912652	Pipe, fuel	1
2-20	972843	Oil seal (TC9, 12, 32,7,10)	1	2-60	972811	Seat, valve A	1
2-21	971824	Snap ring	1	2-61	972813	Ball	2
2-22	972897	Key	1	2-62	972817	Cushion, ball	2
2-23	997343	Crank shaft ass'y (with ref No.22,24)	1	2-63	972814	Cap, rubber	1
2-24	972869	Bearing, needle	1	2-64	972818	Seat, valve B	1
2-25	972823	Snap ring, piston pin	2	2-65	972812	Packing A	1
2-26	990675	Piston pin	1	2-66	972819	Packing B	1
2-27	972821	Piston pin set (with ref No.26)	1	2-67	971738	Pad	4
2-28	972822	Ring, piston	2	2-68	997341	Fuel tank ass'y (with ref No.55~57,60~66,75~80)	1
2-29	972825	Packing, cylinder	1	2-69	976743	Screw	1
2-30	972881	Stud bolt	2	2-70	997342	Hanger, tank	1
2-31	977301	Bolt	4	2-71	912606	Screw	1
2-32	996355	Cylinder (with ref No.30)	1	2-72	991101	Band, tank	1
2-33	997333	Cover, cylinder	1	2-73	972883	Bar, band support	1
2-34	971797	Clamp	1	2-74	979339	Nut	1
2-35	971821	Screw	1	2-75	977314	Fuel tank cap ass'y (with ref No.76~80)	1
2-36	997334	Gasket, muffler	1	2-76	977317	Cap, fuel tank	1
2-37	997335	Muffler	1	2-77	977316	Valve, combination	1
2-38	991103	Nut, flange	2	2-78	977318	Holder, valve	1
2-39	997336	Cover, muffler	1	2-79	977535	Sponge	1
2-40	971820	Screw	2	2-80	977315	Packing	1

PARTS LIST

3. ENGINE (CARBURETOR, RECOIL STARTER)



4. ACCESSORIES



MARUYAMA U.S., INC.

Ref.No.	Parts No.	Parts Name	Q'ty	Ref.No.	Parts No.	Parts Name	Q'ty
3-1	997319	Packing, intake	1	3-41	584784	Cable, throttle control	1
3-2	977308	Flange, intake	1	3-42	997360	Recoil starter ass'y (with ref No.44~50,52~56)	1
3-3	972836	Packing, carburetor	1	3-43	996229	Screw	4
3-4	977305	Screw	2	3-44	993293	Plate, friction	1
3-5	997320	Spacer	1	3-45	972834	Spring, return	1
3-6	997321	Packing, carburetor	1	3-46	997314	Ratchet	1
3-7	990688	Screw	2	3-47	972831	Spring, friction	1
3-8	997322	Screw	2	3-48	972830	Reel ass'y	1
3-9	997323	Carburetor ass'y (with ref No.14~14,16~32)	1	3-49	972829	Spring, spiral	1
3-10	977568	Cap, rubber	1	3-50	997329	Case, starter	1
3-11	977566	Cap, mixing chamber	1	3-51	976742	Screw	2
3-12	972853	Spring, throttle	1	3-52	997313	Pulley, starter	1
3-13	972850	Retainer, spring	1	3-53	977441	Screw	1
3-14	991094	Jet needle ass'y	1	3-54	972833	Knob, starter	1
3-15	997324	Collar	1	3-55	972832	Rope, starter	1
3-16	991095	Valve, throttle	1	3-56	997312	Guide, rope	1
3-17	991097	Spring, throttle adjusting screw	1				
3-18	991096	Screw, throttle adjusting	1				
3-19	972867	Main jet needle ass'y	1				
3-20	972859	Spring, inlet valve	1				
3-21	977533	Packing, main diaphragm	1	4-1		Instruction manual	1
3-22	972865	Gasket, pump cover	1	4-2	997318	Tool set (with ref No.3~5)	1
3-23	972864	Diaphragm, pump	1	4-3	061961	Driver, screw	1
3-24	997359	Pump cover ass'y	1	4-4	972898	Wrench, socket (19×21)	1
3-25	972887	Screw	4	4-5	977436	Spanner (8×12)	1
3-26	972858	Valve, float	1				
3-27	972857	Arm, float	1				
3-28	972856	Pin, float	1				
3-29	972860	Screw, float pin set	1				
3-30	972861	Main diaphragm ass'y	1				
3-31	972866	Main diaphragm cover ass'y	1				
3-32	971814	Screw	4				
3-33	997325	Air cleaner ass'y (with ref No.35~39)	1				
3-34	990125	Screw	2				
3-35	997326	Cover, air cleaner	1				
3-36	997309	Name plate	1				
3-37	972842	Net, steel	1				
3-38	972844	Element	1				
3-39	991098	Holder, element	1				
3-40	580834	Lever, throttle	1				



Maruyama U.S., Inc.
3570 Shelby Lane
Denton, TX 76207
940-383-7400 voice
940-383-7466 fax

www.maruyama-us.com