

PARTS LIST

HT2300DL-R MUS

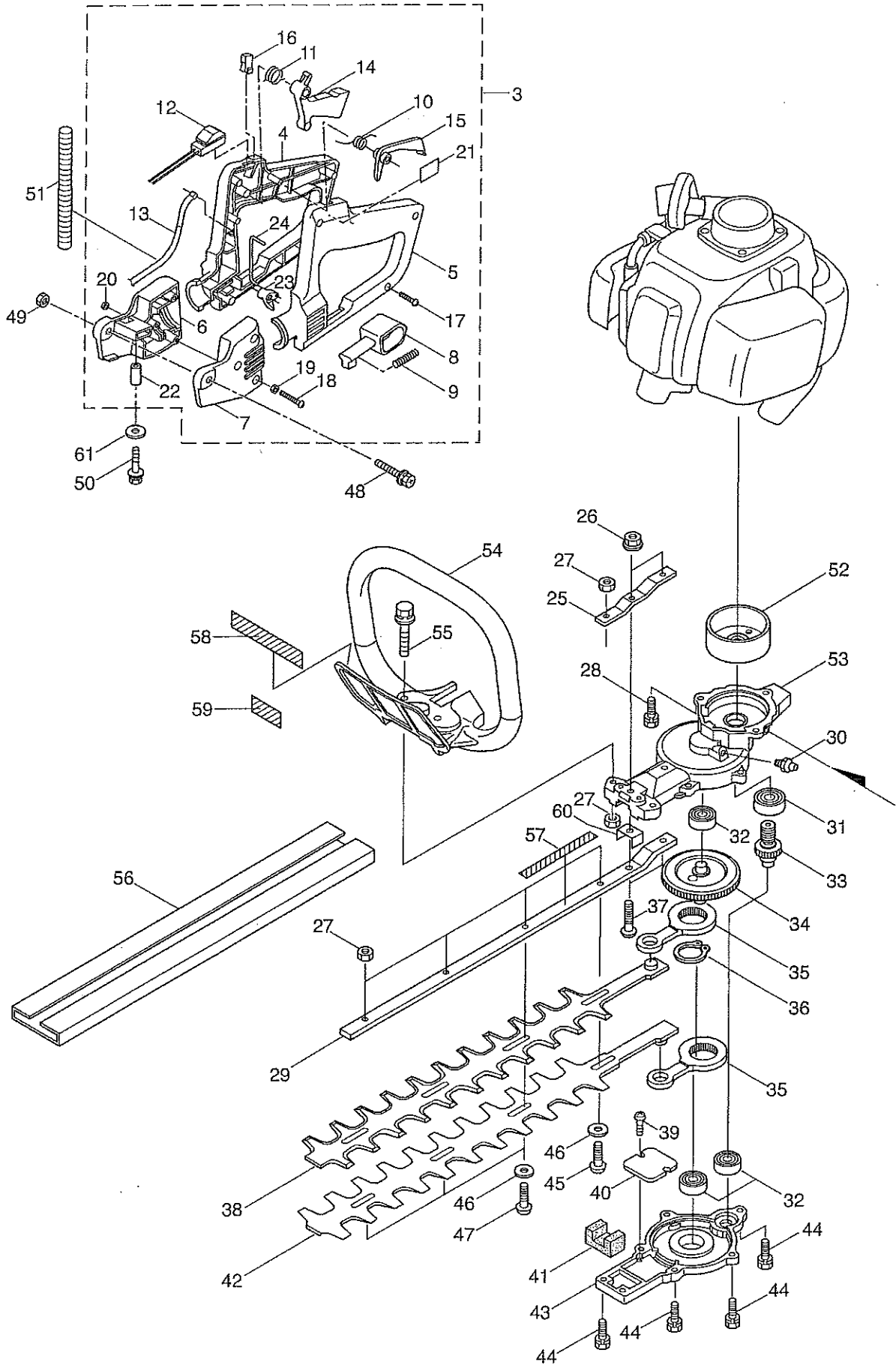
CONTENTS

1• MAIN BODY	1~ 4
2• ENGINE	5~ 8
3• CARBURETOR, REWIND STARTER	9~10
4• ACCESSORIES	11

2004.11.

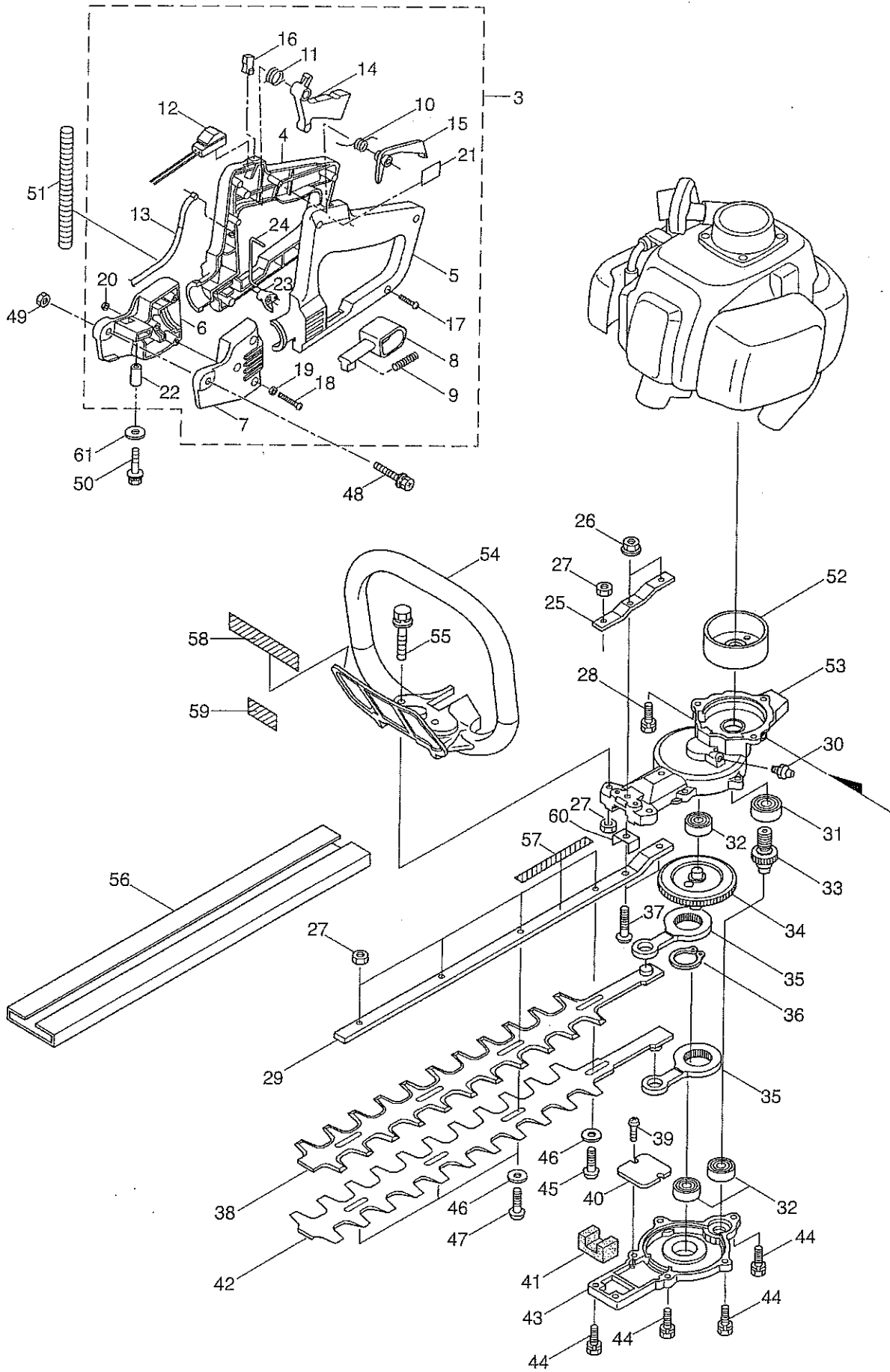
P/N.521917

1. HT2300DL-R (MUS)
MAIN BODY



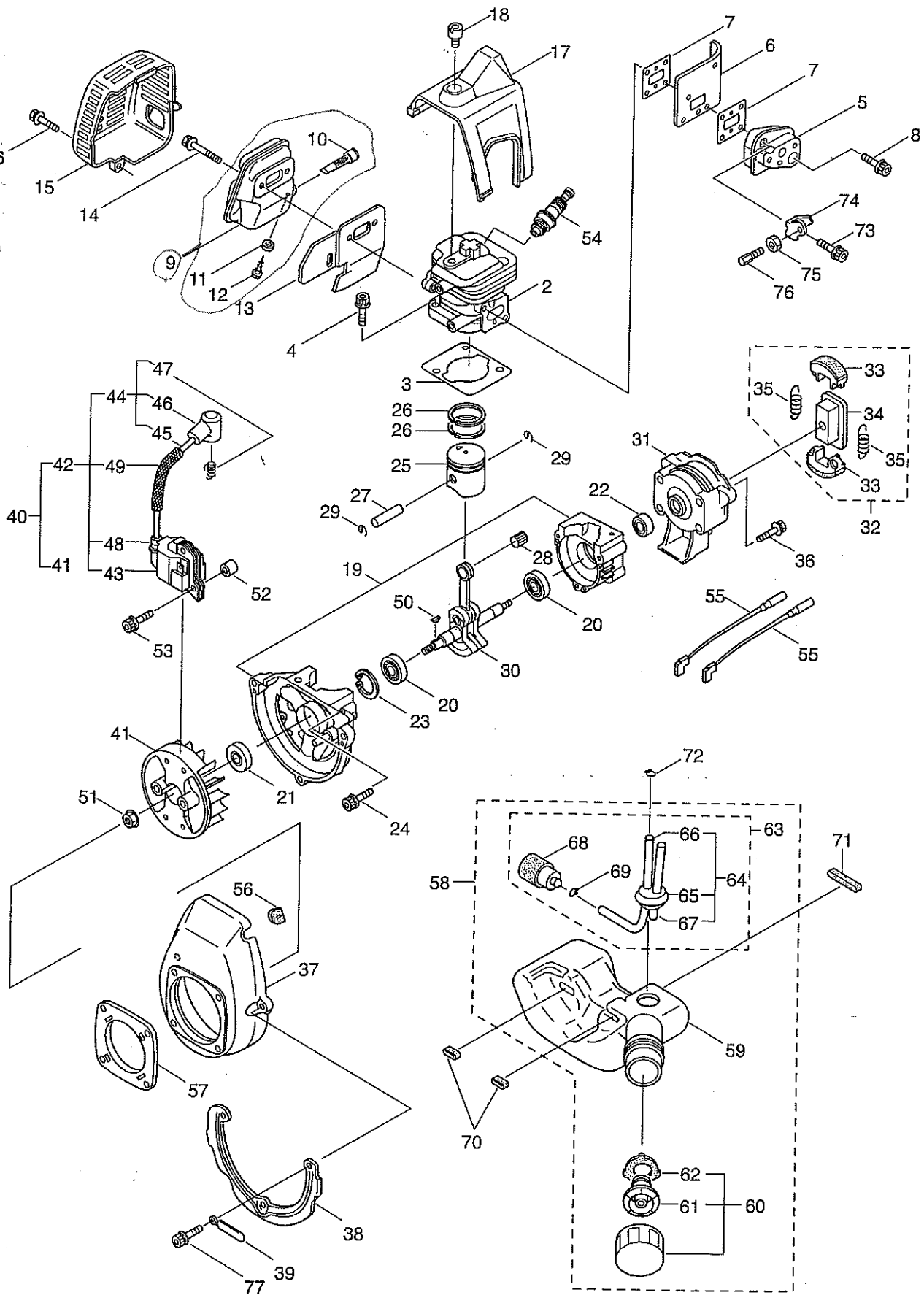
Ref.No.	Part No.	Part Name	Q'ty	Remarks
1-1	362155	HT2300DL-R	1	MUS
1-2	270892	Cutter Ass'y	1	Incl.3-61
1-3	270467	Rear Handle Ass'y	1	Incl.4-24
1-4	270468	Rear Handle (R)	1	
1-5	270469	Rear Handle (L)	1	
1-6	270397	Handle Stay (R)	1	
1-7	270398	Handle Stay (L)	1	
1-8	270470	Lock Lever	1	
1-9	270400	Spring	1	
1-10	270401	Spring	1	
1-11	270402	Spring	1	
1-12	270403	Switch,Stop	1	
1-13	270471	Cable Comp.	1	
1-14	270472	Lever	1	
1-15	270406	Stop Lever	1	
1-16	270407	Stopper	1	
1-17	270408	Screw	5	
1-18	270409	Screw	3	
1-19	270410	Washer	3	
1-20	997271	Nut	3	M4
1-21	270085	Label	1	
1-22	270424	Spacer	1	
1-23	270473	Lock Lever Stopper	1	
1-24	270474	Rod	1	
1-25	270759	Reinforcing Plate	1	
1-26	997244	Frange Nut	2	M5
1-27	991941	U-Nut	6	M6
1-28	270030	Bolt	2	M6x20
1-29	270056	Guide Plate	1	
1-30	991937	Grease Nipple	1	M6
1-31	580767	Bearing	1	#6001 2RS
1-32	270423	Bearing	3	
1-33	584666	Pinion	1	
1-34	591443	Crank Comp	1	
1-35	997282	Rod Ass'y	2	
1-36	580777	Snap Ring	1	#26
1-37	991931	Screw	2	M5x20
1-38	582446	Upper Blade	1	
1-39	991924	Screw	2	M3x5
1-40	991919	Plate,Rod Slide	1	
1-41	270758	Felt	1	
1-42	582428	Lower Blade	1	
1-43	270756	Lower Case	1	
1-44	580791	Bolt	7	M5x16
1-45	991912	Screw	1	

1. HT2300DL-R (MUS)
MAIN BODY



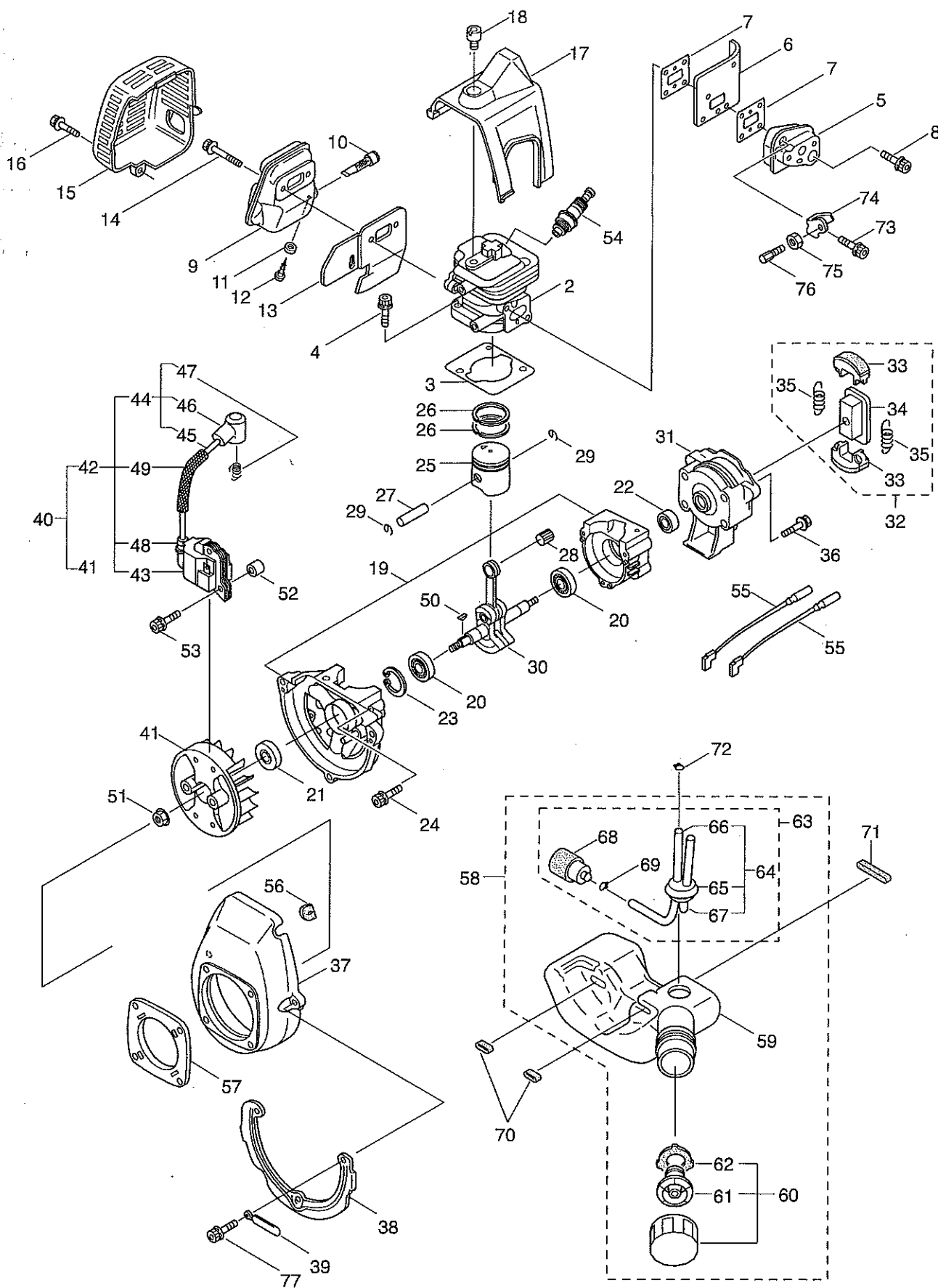
Ref.No.	Part No.	Part Name	Q'ty	Remarks
1-46	991913	Washer	4	
1-47	991914	Screw	3	
1-48	270420	Screw	1	
1-49	997253	Nut	1	M6
1-50	270120	Bolt	1	M6x40
1-51	270425	Tube	1	
1-52	270021	Drum	1	
1-53	270760	Upper Case	1	
1-54	582441	Front Handle	1	
1-55	270029	Bolt	2	M6x35
1-56	270071	Cover of Blade	1	
1-57	591450	Label	1	
1-58	591449	Label	1	
1-59	223925	Label	1	Grease up
1-60	270757	Plate	1	
1-61	270843	Washer	1	25x6xt1.6

2. HT2300DL-R (MUS)
ENGINE



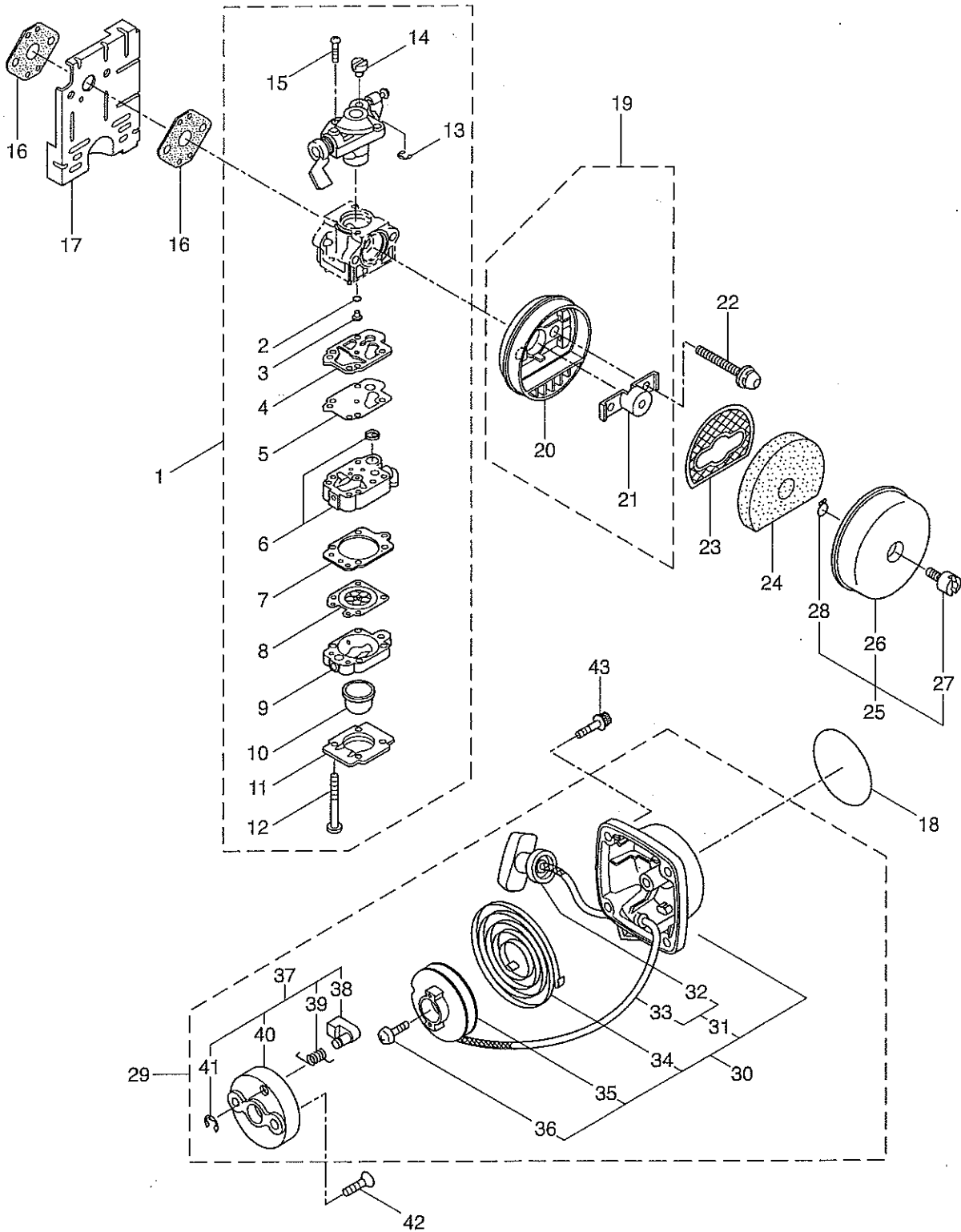
Ref.No.	Part No.	Part Name	Q'ty	Remarks
2-1		Engine	1	LE230/125 (850880)
2-2	264981	Cylinder	1	New gasket required
2-3	263770	Gasket	1	
2-4	267290	Cap Screw	2	M5x20
2-5	267924	Insulator	1	New gasket required
2-6	265794	Air Duct	1	
2-7	261171	Gasket	2	
2-8	265924	Cap Screw	1	M5x25
2-9	264785	Muffler Ass'y	1	Incl.10-12
2-10	262395	Spark Arrester	1	
2-11	264857	Washer	1	
2-12	089530	Tapping Screw	1	M3x10
2-13	263777	Gasket	1	
2-14	264223	Cap Screw	2	M5x40
2-15	263802	Muffler Cover	1	
2-16	261607	Cap Screw	1	M5x16
2-17	264670	Cylinder Cover	1	
2-18	265742	Knob	1	
2-19	264542	Crankcase Comp	1	
2-20	261181	Bearing	2	#6000C3
2-21	262712	Oil Seal	1	TC10267
2-22	262713	Oil Seal	1	TC10207
2-23	054676	Snap Ring	1	#26
2-24	261246	Cap Screw	3	M5x25
2-25	266467	Piston	1	
2-26	264891	Piston Ring	2	(2)required
2-27	261036	Piston Pin	1	
2-28	263957	Bearing, Needle	1	KTV81112EG01 B2
2-29	261576	Clip, Piston	2	
2-30	264643	Shaft Comp	1	
2-31	264585	Clutch Case	1	
2-32	280404	Clutch Ass'y	1	Incl.33-35
2-33	280568	Clutch Shoe	2	(2)required
2-34	280569	Clutch Boss	1	
2-35	280570	Spring	2	(2)required
2-36	261607	Cap Screw	4	M5x16
2-37	263799	Fan Cover	1	
2-38	265972	Plate	1	
2-39	264588	Clamp	1	
2-40	267386	Magneto Ass'y	1	Incl.41-49
2-41	263570	Rotor/Fan	1	
2-42	267173	Ignition Coil Ass'y	1	Incl.43-49
2-43	267174	Coil	1	
2-44	267403	Spark Plug Wire Ass'y	1	Incl.45-47
2-45	267404	Spark Plug Wire	1	

2. HT2300DL-R (MUS) ENGINE



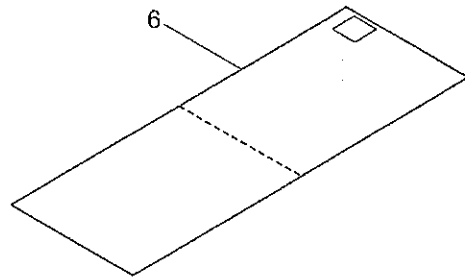
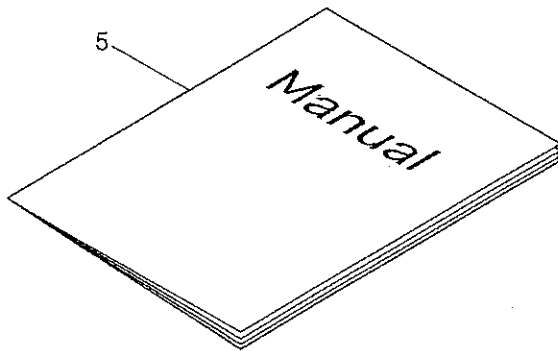
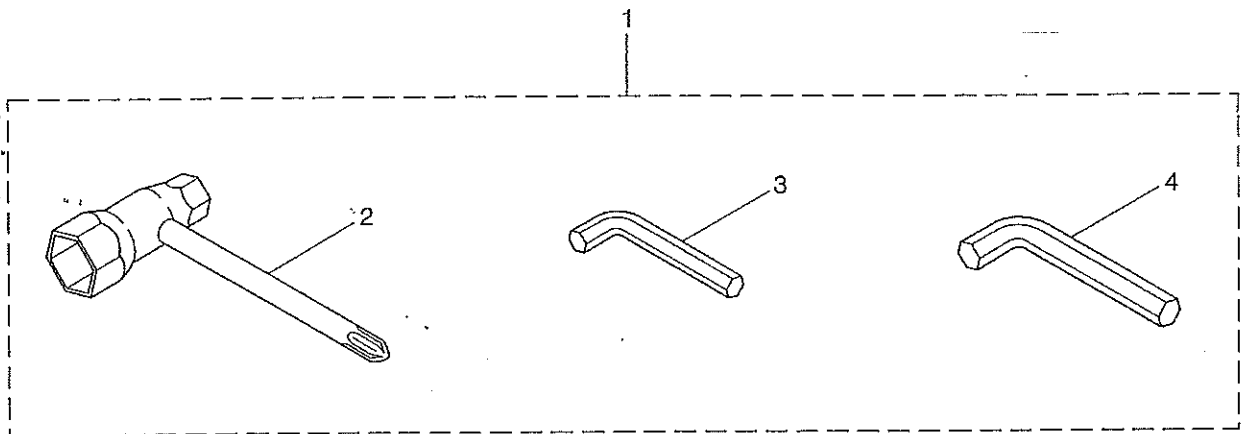
Ref.No.	Part No.	Part Name	Q'ty	Remarks
2-46	261074	Plug Boot	1	
2-47	261075	Connector	1	
2-48	261072	Cap	1	
2-49	269418	Insulator	1	
2-50	261076	Woodruff Key	1	3x10
2-51	261077	Nut,Rotor	1	M6
2-52	268380	Spacer	2	
2-53	261256	Cap Screw	2	M4x25
2-54	261200	Spark Plug	1	NGK BPM6Y
2-55	267093	Wire,Lead	2	
2-56	261202	Grommet	1	
2-57	265081	Plate	1	
2-58	265637	Fuel Tank Ass'y	1	Incl.59-69
2-59	264545	Fuel Tank	1	
2-60	265638	Tank Cap Ass'y	1	Incl.61,62
2-61	269415	Breather Ass'y	1	
2-62	269417	Gasket	1	
2-63	265928	Fuel Pipe Pick-up Ass'y	1	Incl.64-69
2-64	265929	Fuel Pipe Ass'y	1	Incl.65-67
2-65	265869	Grommet	1	
2-66	262649	Fuel Pipe	1	
2-67	263038	Return Pipe	1	3x6x85L
2-68	264653	Filter Ass'y	1	
2-69	261117	Clip	1	
2-70	264318	Pad	2	
2-71	263824	Pad	1	
2-72	261117	Clip	1	
2-73	265925	Cap Screw	1	M5x25
2-74	265199	Stay	1	
2-75	261878	Nut	1	
2-76	264736	Adapter	1	
2-77	261250	Cap Screw	3	M5x20

3. HT2300DL-R (MUS)
 CARBURETOR, REWIND STARTER



Ref.No.	Part No.	Part Name	Q'ty	Remarks
3-1	266343	Carburetor Ass'y	1	Incl.2-15
3-2	261871	O-Ring	1	
3-3	262121	Main Jet	1	#41
3-4	262995	Gasket	1	
3-5	262994	Diaphragm,Fuel Pump	1	
3-6	264155	Pump Body	1	
3-7	262993	Gasket	1	
3-8	261873	Diaphragm,Metering	1	
3-9	262991	Purge Body	1	
3-10	261874	Primer Bulb	1	
3-11	262992	Cover Plate	1	
3-12	262996	Screw	4	
3-13	261876	E-Ring	1	
3-14	261658	Swivel	1	
3-15	264682	Screw	2	
3-16	261864	Gasket	2	
3-17	265973	Baffle Plate	1	
3-18	281471	Label	1	HT2300DL-R
3-19	264721	Case Ass'y	1	Incl.20,21
3-20	264722	Case Body	1	
3-21	263815	Stay	1	
3-22	264016	Cap Screw	2	M5x60
3-23	263801	Screen	1	
3-24	263819	Foam Element	1	
3-25	263817	Cover Ass'y	1	Incl.26-28
3-26	263818	Cover	1	
3-27	264022	Knob	1	
3-28	261734	Snap Ring	1	#5
3-29	264534	Recoil Starter Ass'y	1	Incl.30-41
3-30	264083	Starter Ass'y	1	Incl.31-36
3-31	115096	Rope Ass'y	1	Incl.32,33
3-32	261725	Starter Grip	1	
3-33	261627	Starter Rope	1	
3-34	261622	Spiral Spring	1	
3-35	261621	Pulley	1	
3-36	262922	Screw	1	
3-37	264085	Starter Pawl Ass'y	1	Incl.38-41
3-38	261630	Pawl	1	
3-39	261631	Return Spring	1	
3-40	264086	Pawl Case	1	
3-41	020299	E-Ring	1	#4
3-42	264535	Screw	2	M6x20
3-43	264807	Cap Screw	4	M5x16

4. HT2300DL-R (MUS)
ACCESSORIES



Ref.No.	Part No.	Part Name	Q'ty	Remarks
4-1	264606	Tool Set	1	Incl.2-4
4-2	264607	Box Spanner	1	10x19x(+)
4-3	219431	Wrench	1	3mm
4-4	219432	Wrench	1	4mm
4-5	270171	Owner's Manual	1	
4-6	216007	Warranty Card	1	