



**MARUYAMA U.S., INC.**

15436 N.E. 95th St., Redmond, Washington 98052  
P.O. Box 2167, Redmond, Washington 98073-2167  
Phone (206) 885-0811 Fax (206) 885-0123

# **ILLUSTRATED PARTS LIST**

**MODEL HT159  
MODEL HT159L**

**HEDGE TRIMMER**

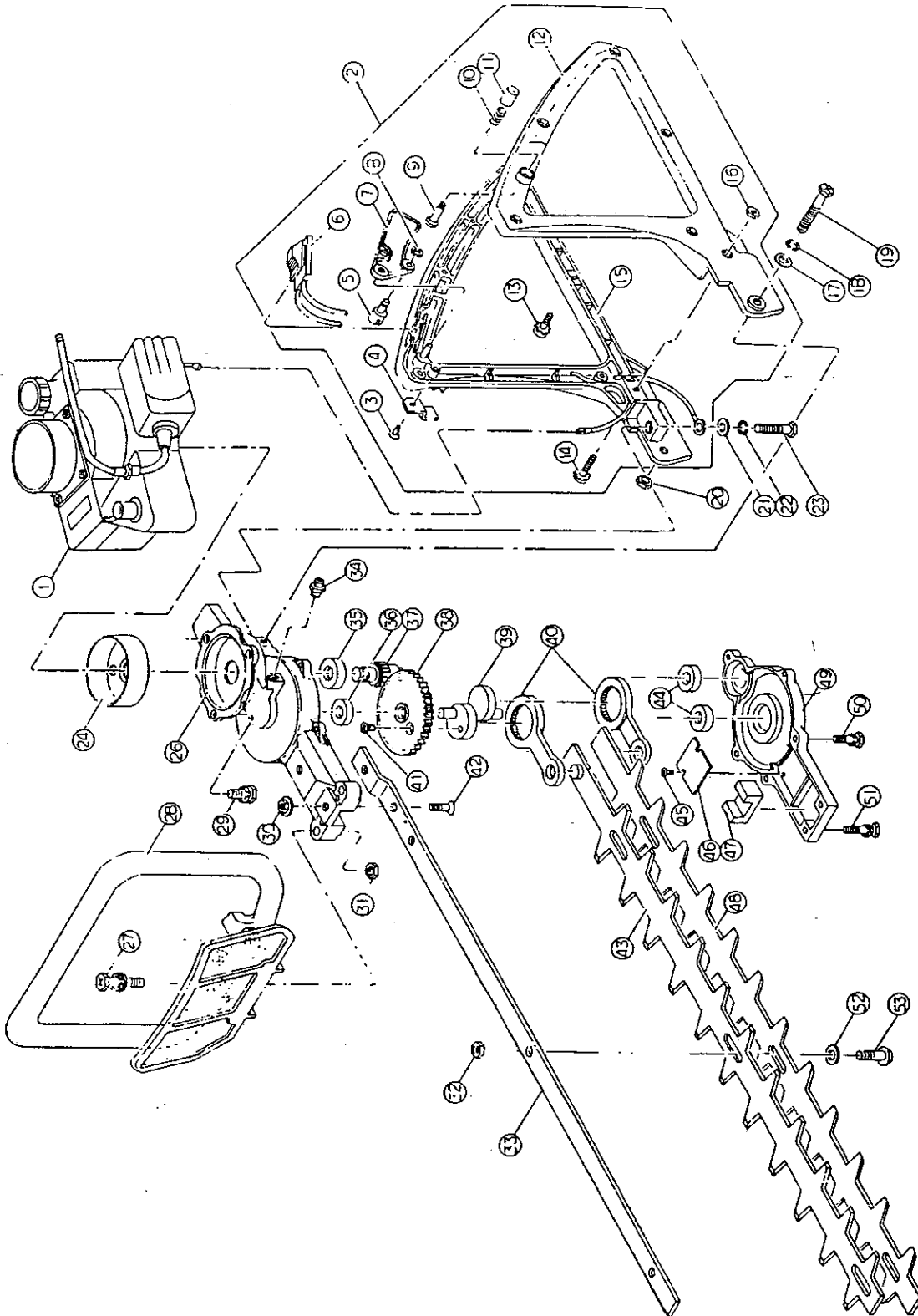
**Effective 4-1-92**



# PARTS LIST

# MODEL HT159, HT159L

## 1. MAIN BODY



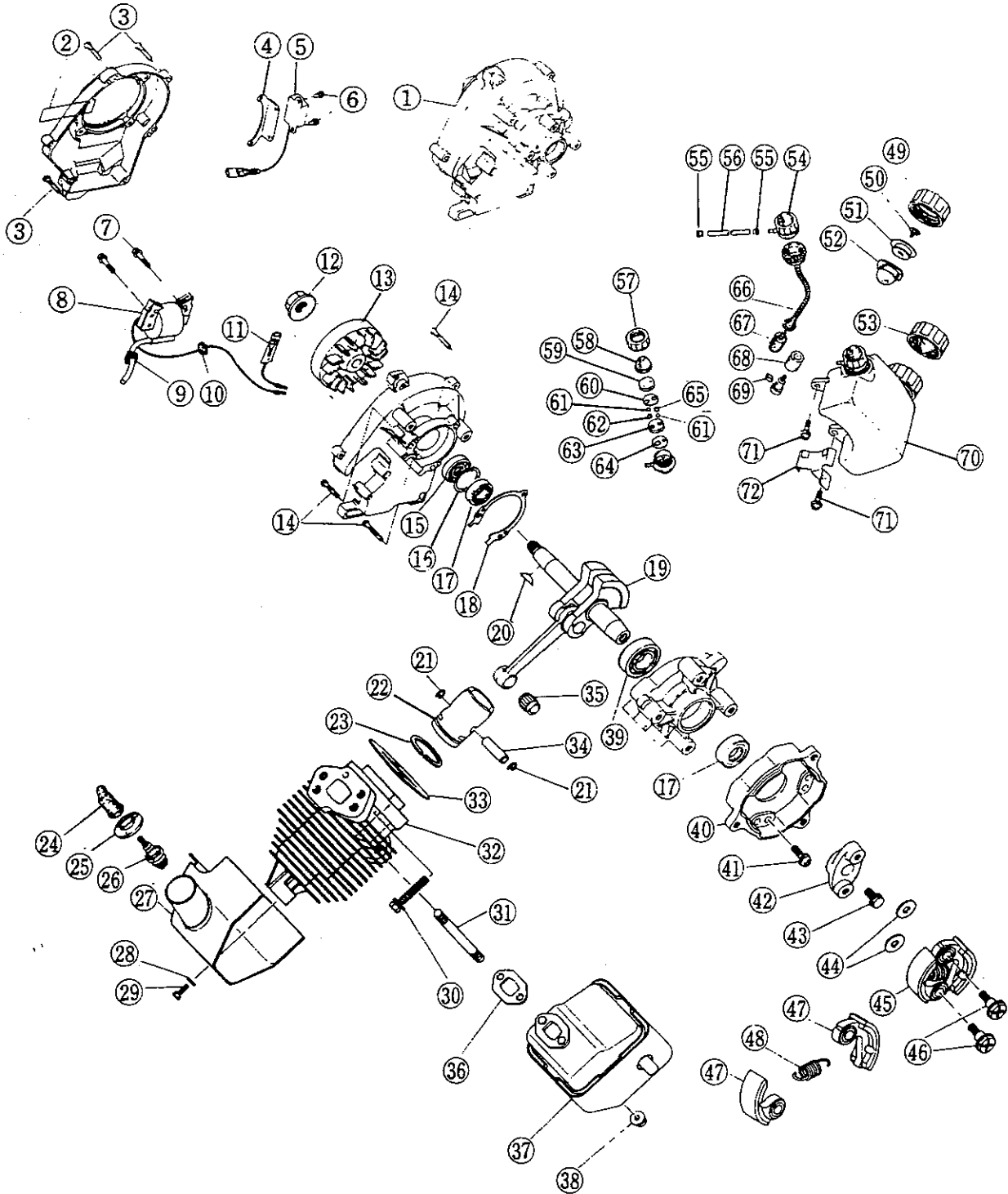
MARUYAMA U.S., INC.

Ref.No.	Parts No.	Parts Name	Qty		Ref.No.	Parts No.	Parts Name	Qty	
			HT159	HT19L				HT159	HT19L
1-1		Engine	1	1	1-40	997282	Rod ass'y	2	2
1-2	997257	Rear handle ass'y(with ref No.3~16)	1	1	1-41	580770	Screw(M5×10)	1	1
1-3	997258	Screw (M4×10)	1	1	1-42	997284	Screw(M5×16)	2	2
1-4	997259	Holder,cable	1	1	1-43	997285	Upper blade	1	
1-5	997260	Plate.wire	1	1		581913	Upper blade		1
1-6	997261	Switch.stop	1	1	1-44	580768	Bearing(#608Z)	2	2
1-7	997262	Lever.throttle	1	1	1-45	991924	Screw(M3×5)	2	2
1-8	997263	Ring snap	1	1	1-46	991919	Plate.rod slide	1	1
1-9	997264	Pin.lever	1	1	1-47	997286	Felt	1	1
1-10	997265	Spring	1	1	1-48	997287	Lower blade	1	
1-11	997266	Fixing knob	1	1		581914	Lower blade		1
1-12	997267	Rear handle(L)	1	1	1-49	997288	Lower case	1	1
1-13	997268	Screw(M4×16)	5	5	1-50	580791	Bolt M5×16(W/SW)	5	5
1-14	997269	Screw(M4×30)	1	1	1-51	580790	Bolt M5×20(W/SW)	2	2
1-15	997270	Rear handle(R)	1	1	1-52	991913	Washer	3	4
1-16	997271	Hexagon nut(M4)	6	6	1-53	991914	Screw(ℓ = 19)	3	4
1-19	581909	Bolt M6×50(W SW&PW)	1	1					
1-20	997253	Hexagon nut(M6)	1	1					
1-23	581910	Bolt M6×40(W SW&PW)	1	1					
1-24	581911	Drum	1	1					
1-26	997274	Upper case	1	1					
1-27	997275	Bolt M6×30(W/SW & PW)	2	2					
1-28	997276	Front handle	1	1					
1-29	991971	Bolt M6×15(W/SW)	2	2					
1-30	997244	Flange nut(M5)	2	2					
1-31	997253	Hexagon nut(M6)	2	2					
1-32	991941	Hexagon U-nut(M6)	3	4					
1-33	997277	Guide plate	1						
	581912	Guide plate		1					
1-34	991937	Nipple.grease(M6)	1	1					
1-35	991933	Bearing( #6002RS)	1	1					
1-36	580768	Bearing( #608Z)	1	1					
1-37	997279	Pinion	1	1					
1-38	997280	Gear.crank	1	1					
1-39	997281	Crank	1	1					

# PARTS LIST

# MODEL HT159, HT159L

## 2. ENGINE (CRANK CASE, CYLINDER)



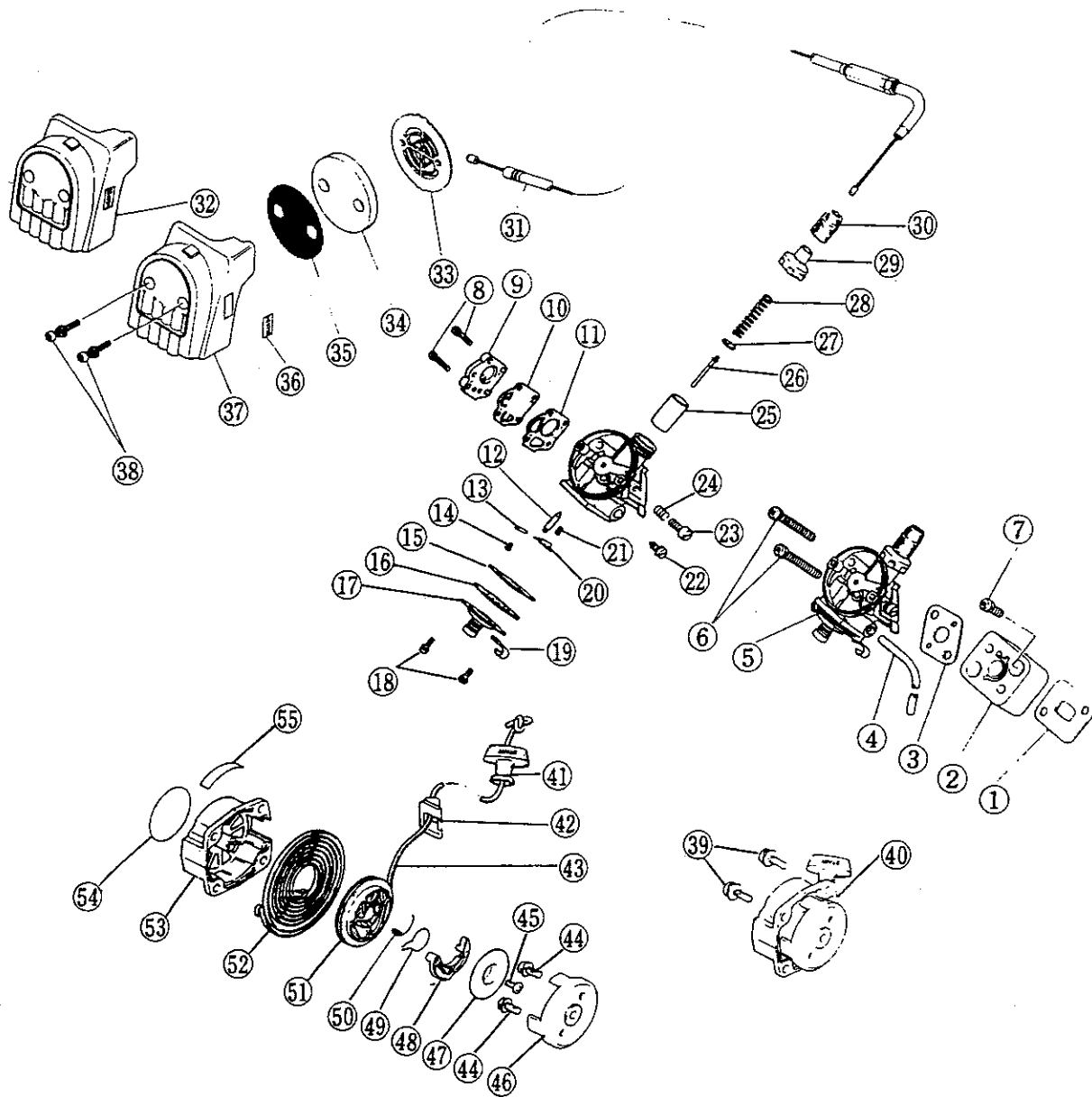
MARUYAMA U.S., INC.

Ref.No	Parts No.	Parts Name	Q'ty	Ref.No	Parts No.	Parts Name	Q'ty
2-1	997292	Crankcase ass'y (With ref No.2~3)	1	2-41	971817	Screw & Washer	4
2-2	997293	Label, name	1	2-42	997301	Holder, clutch	1
2-3	947524	Screw	6	2-43	997302	Bolt & Washer	1
2-4	997294	Bracket,unit	1	2-44	912642	Washer	2
2-5	997295	Unit, transister	1	2-45	991640	Clutch (With ref No.47~48)	1
2-6	970899	Screw & Washer	2	2-46	990679	Bolt, clutch	2
2-7	977301	Bolt & Washer	2	2-47	991641	Flyweight	2
2-8	991633	Coil, ignition	1	2-48	990673	Spring	1
2-9	972870	Grommet	1	2-49	977317	Cap, fuel tank	1
2-10	971732	Grommet	1	2-50	973316	Valve, breather	1
2-11	992168	Wire, lead	1	2-51	977318	Holder	1
2-12	990136	Nut, conical spring	1	2-52	977315	Gasket	1
2-13	997296	Flywheel	1	2-53	996490	Tank cap ass'y (With ref No.49~52)	1
2-14	912609	Screw	3	2-54	260109	Pump, priming (with ref No.57~65)	1
2-15	991611	Oil seal (TC12,28,7)	1	2-55	971781	Clip	2
2-16	991610	Snap ring	1	2-56	972816	Tube, fuel	1
2-17	972893	Bearing, ball (#6001)	2	2-57	991908	Cap	1
2-18	991608	Gasket, crankcase	1	2-58	996357	Cap	1
2-19	997361	Crankshaft ass'y	1	2-59	972818	Gasket	1
2-20	972897	Key, woodruff	1	2-60	972812	Gasket	1
2-21	997297	Clip, piston pin	2	2-61	972813	Ball	2
2-22	997362	Piston set	1	2-62	260112	Sponge	1
2-23	991615	Ring, top	1	2-63	972811	Gasket	1
2-24	977308	Cap, plug	1	2-64	972819	Gasket	1
2-25	991622	Cap, Plug	1	2-65	972817	Sponge	1
2-26	971724	Plug, spark (NGK BM6A)	1	2-66	977303	Hose, suction	1
2-27	991620	Cover, cylinder)	1	2-67	260113	Filter, fuel (with ref No.68, 69)	1
2-28	912629	Washer	1	2-68	260115	Felt	1
2-29	997298	Bolt	1	2-69	260116	Sponge	1
2-30	991618	Bolt & Washer	2	2-70	997303	Tank, fuel (with ref No.49~65,68)	1
2-31	991619	Bolt, stud	2	2-71	991643	Screw & washer	2
2-32	997363	Cylinder	1	2-72	997304	Baffle, weed	1
2-33	991616	Gasket, cylinder	1				
2-34	997299	Pin, piston	1				
2-35	997300	Bearing, needle	1				
2-36	991623	Gasket, muffler	1				
2-37	997364	Muffler	1				
2-38	991103	Nut, flange	2				
2-39	971734	Oil seal (TC12,22,7)	1				
2-40	997291	Case, Clutch	1				

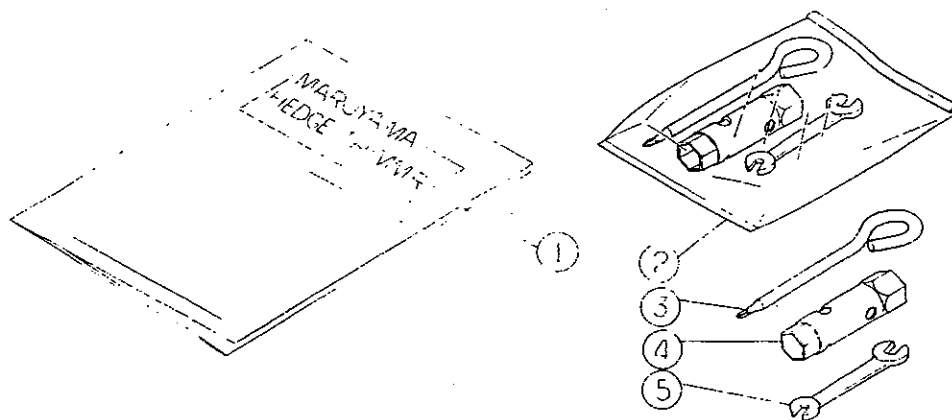
# PARTS LIST

# MODEL HT159, HT159L

## 3. ENGINE (CARBURETOR, RECOIL STARTER)



## 4. ACCESSORIES



MARUYAMA U.S., INC.

Ref.No.	Parts No.	Parts Name	Q'ty	Ref.No.	Parts No.	Parts Name	Q'ty
3-1	997305	Gasket, carburetor	1	3-41	972833	Knob, starter	1
3-2	997306	Insulator	1	3-42	997312	Part, inner	1
3-3	997307	Gasket, carburetor	1	3-43	972832	Rope, starter	1
3-4	972815	Tube, fuel	1	3-44	976742	Screw & washer	2
3-5	997308	Carburetor (D)	1	3-45	977441	Screw	1
3-6	977534	Screw & washer	2	3-46	997313	Pulley, starter	1
3-7	971817	Screw & washer	2	3-47	993293	Plate, Friction	1
3-8	972887	Screw & washer	4	3-48	997314	Ratchet	1
3-9	972863	Cover	1	3-49	972831	Spring, friction	1
3-10	972864	Diaphragm	1	3-50	972834	Spring, return	1
3-11	972865	Gasket	1	3-51	972830	Reel	1
3-12	972858	Valve, needle	1	3-52	972829	Spring, spiral	1
3-13	972856	Pin, float	1	3-53	997315	Case, cleaner	1
3-14	972860	Screw	1	3-54	997316	Label, name	1
3-15	977533	Gasket	1	3-55	997317	Label	1
3-16	972861	Diaphragm	1				
3-17	972866	Cover	1				
3-18	971814	Screw & washer	4				
3-19	972876	Clamp	1				
3-20	972857	Arm, float	1				
3-21	972859	Spring	1	4-1		Instruction manual	1
3-22	977567	Jet, needle	1	4-2	997318	Tool set (with ref No.3~5)	1
3-23	991096	Screw, idle	1	4-3	061961	Driver, screw	1
3-24	991097	Spring	1	4-4	972898	Wrench, socket (19×21)	1
3-25	996235	Valve, throttle	1	4-5	977436	Spanner (8×12)	1
3-26	996236	Jet, needle	1				
3-27	972850	Retainer, spring	1				
3-28	996237	Spring, return	1				
3-29	977566	Cap	1				
3-30	977568	Cap	1				
3-31	997365	Wire, throttle	1				
3-32	997366	Air cleaner ass'y (with ref No.33~37)	1				
3-33	991098	Grid	1				
3-34	972844	Element, cleaner	1				
3-35	972842	Screen	1				
3-36	997309	Label, name	1				
3-37	997310	Case, cleaner	1				
3-38	990125	Screw & washer	2				
3-39	996229	Screw & washer	4				
3-40	997311	Recoil starter (with ref No.41~43,45~53)	1				