

MARUYAMA

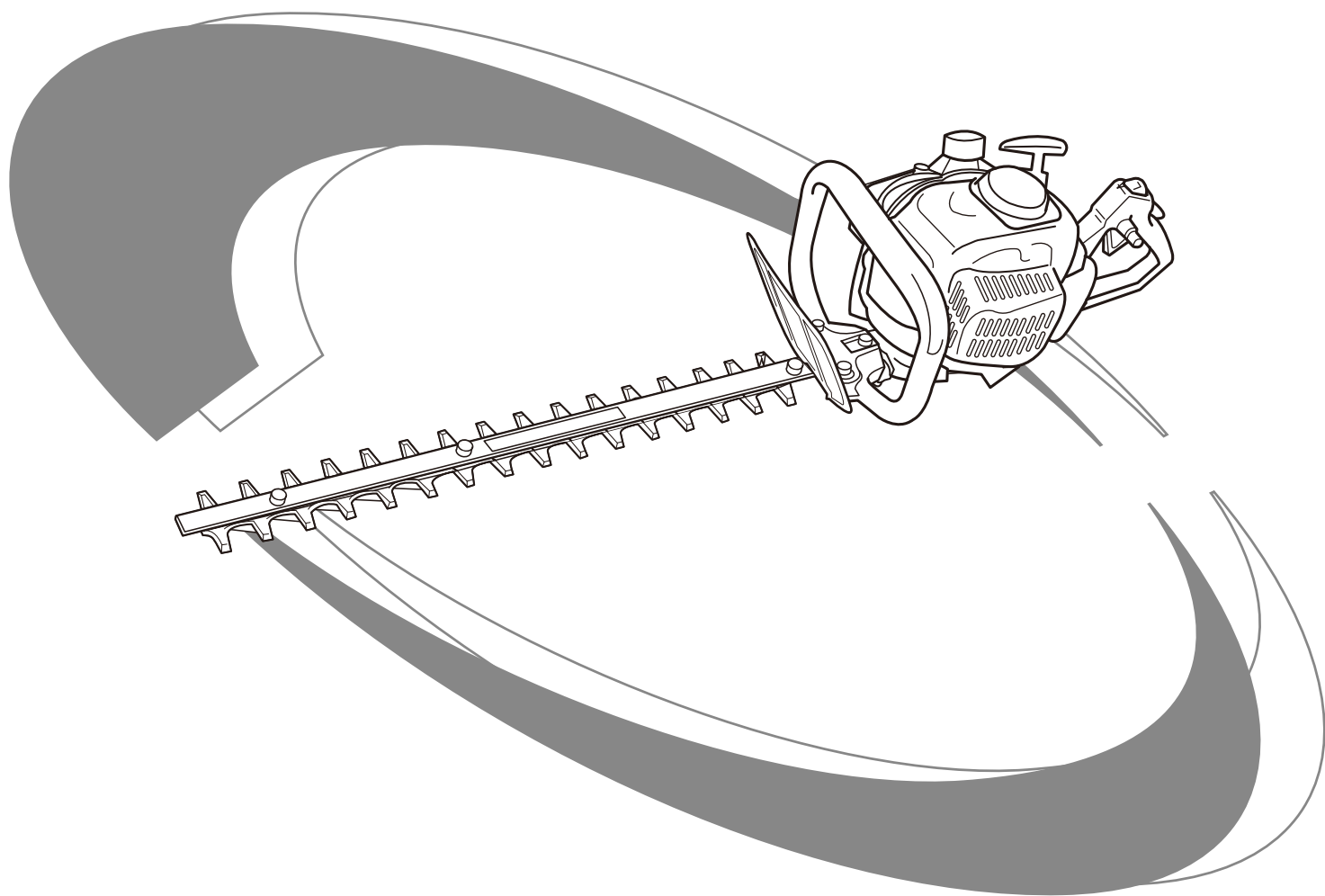
OWNER'S/OPERATOR'S MANUAL
MANUEL DU PROPRIETAIRE/DE L'UTILISATEUR
MANUAL DEL PROPIETARIO U OPERADOR

H23D H23DL

HEDGE TRIMMER

TAILLE-HAIE

CORTASETOS



Premium Outdoor Power Equipment  **Maruyama. Extraordinary.**
Completely read and understand this manual prior to using this product.

Équipement pour utilisation à l'extérieur de qualité supérieure  **Maruyama. Extraordinaire.**
Lisez attentivement l'intégralité du présent manuel avant d'utiliser ce produit.

Equipo de calidad superior para uso en exteriores  **Maruyama. Extraordinario.**
Antes de utilizar este producto, lea atentamente este manual.



Limited Warranty Statement

All Maruyama commercial/ industrial products are warranted to the original purchaser to be free from defects in material and workmanship **from the date of purchase** for the time periods listed as follows:

Lifetime for inner drive shaft on trimmers and brushcutters and all ignition modules.

3 years for residential, non-institutional, non-income producing use.

1 year for industrial, commercial, institutional, rental and income producing use.

Maruyama AE series engines and Kawasaki TEX45/TEX54 are covered exclusively for one additional year of industrial, commercial, institutional, rental and income producing use (total of 2 years).

All other engines refer to engine manufacturer's warranty statement.

Any part of a Maruyama product found to be defective within the applicable warranty period shall, at Maruyama's option, be repaired or replaced without charge. Warranty consideration is obtained by delivering any Maruyama product believed to be defective to an Authorized Maruyama Servicing Dealer within the applicable warranty period.

The purchaser shall not be charged for diagnostic labor that leads to the determination that a warranted part is defective, if the diagnostic work is performed at a Maruyama Dealer.

Any warranted part which is not scheduled for replacement as required maintenance, or which is scheduled only for regular inspection to the effect of "repair or replace as necessary" shall be warranted for the warranty period. Any warranted part, which is scheduled for replacement as, required maintenance shall be warranted for the period of time up to the first scheduled replacement point for that part. Maruyama Mfg. Co., Inc. is liable for damages to other engine components caused by the failure of a warranted part still under warranty.

The purchaser is responsible for the performance of the required maintenance, as defined by Maruyama Mfg. Co., Inc. in the Owner's/Operator's Manual.

EMISSION-RELATED PARTS WARRANTY: In addition to the above warranty coverage, Maruyama Mfg. Co., Inc. will repair or replace, free of charge, for the original purchaser and each subsequent purchaser any emission-related part or parts found to be defective in material and workmanship for two (2) years from original retail delivery date **except catalytic converter. Catalytic converter is warranted one year from original retail delivery date. Emission-related parts are the carburetor assembly, the ignition coil assembly, the ignition rotor and the spark plug and catalytic converter.** Any replacement part that is equivalent in performance and durability may be used in non-warranty maintenance or repairs, and shall not reduce the warranty obligations of Maruyama Mfg. Co., Inc.

Effective June 1, 2000

This warranty does not cover the following:

1. Maintenance items (excluding defects in materials and workmanship) including hoses, spark plugs, starter rope, air and fuel filters, clutch shoes, vibration isolators, throttle cables and all cutting attachments, etc.
2. Extra expenses including shipping and handling, travel, payment for lost time or pay and for any inconvenience and storage.
3. Alterations or modifications including aftermarket parts not authorized by Maruyama U.S., Inc.
4. Wear, accident, abuse, neglect, misuse, negligence, improper fuels, lubricants, fuel mixtures (when applicable), or failure to operate or maintain the product in accordance with instructions approved by Maruyama.

Repair or replacement as provided under this warranty is the exclusive remedy of the consumer. Maruyama shall not be liable for any incidental or consequential damages for breach of any express or implied warranty on these products except to the extent prohibited by applicable law. Any implied warranty of merchantability or fitness for a particular purpose on these products is limited in duration to the warranty period as defined in the limited warranty statement. Maruyama reserves the rights to change or improve the design of the product without notice and does not assume obligation to update previously manufactured products.

This warranty provides you with specific legal rights, which may vary from state to state.

It is the Owner's and Dealer's responsibility to make sure the Warranty Registration Card is properly filled out and mailed to Maruyama U.S., Inc. Proof of purchase and registration will be required in order to obtain warranty service.

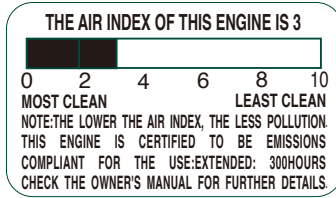
To locate an Authorized Maruyama Servicing Dealer nearest you, contact:

Maruyama U.S., Inc.
4770 Mercantile Drive, suite 100,
Fort Worth, TX 76137
(940) 383-7400
maruyama@maruyama-us.com
www.maruyama-us.com

Effective June 1, 2000

⚠ WARNING: ⚠

The engine exhaust from this product contains chemicals known to the State of California to cause cancer, birth defects or other reproductive harm.



CER230HT

FEDERAL EMISSION CONTROL WARRANTY STATEMENT YOUR WARRANTY RIGHTS AND OBLIGATIONS

The **U.S. Environmental Protection Agency (EPA)** and Maruyama Manufacturing Company, Inc. are pleased to explain the **emission control system warranty** on your small off-road engine. New 1997 and later model year small off-road engines must be designed, built and equipped, at the time of sale, to meet the U.S. EPA regulations for small off-road engines. The equipment engine must be free from defects in materials and workmanship which cause it to fail to conform with U.S. EPA standards for the first two years of engine use from the date of sale to the ultimate purchaser. Maruyama Manufacturing Company, Inc. must warrant the emission control system on your small off-road engine for the period of time listed above provided there has been no abuse, neglect or improper maintenance of your small off-road engine.

Emission durability of 300 hours.

Your emission control system may include parts such as the carburetor or fuel injection system, the ignition system, and catalytic converter. Also included may be hoses, belts, and connectors and other emission related assemblies.

Where a warrantable condition exists, Maruyama Manufacturing Company, Inc. will repair your small off-road engine at no cost to you, including diagnosis (if the diagnostic work is performed at an authorized dealer), parts, and labor.

MANUFACTURER'S WARRANTY COVERAGE:

The 1997 and later model year small off-road engines are warranted for two years. If any emission-related part on your engine is defective, the part will be repaired or replaced by Maruyama Manufacturing Company, Inc. free of charge.

OWNER'S WARRANTY RESPONSIBILITIES:

- (a) As the small off-road engine owner, you are responsible for the performance of the required maintenance listed in your owner's manual.
Maruyama Manufacturing Company, Inc. recommends that you retain all receipts covering maintenance on your small off-road engine, but Maruyama Manufacturing Company, Inc. cannot deny warranty solely for the lack of receipts or for your failure to ensure the performance of all scheduled maintenance. Any replacement part or service that is equivalent in performance and durability may be used in non-warranty maintenance or repairs, and shall not reduce the warranty obligations of the engine manufacturer.

- (b) As the small off-road engine owner, you should be aware, however, that Maruyama Manufacturing Company may deny you warranty coverage if your small off-road engine or a part has failed due to abuse, neglect, improper maintenance or unapproved modifications.

- (c) You are responsible for presenting your small off-road engine to a Maruyama Manufacturing Company, Inc. service center as soon as a problem exists. The warranty repairs should be completed in a reasonable amount of time, not to exceed 30 days.

If you have any questions regarding your warranty rights and responsibilities, you should contact Maruyama U.S., Inc. at 1-866-783-7400, or warranty@maruyama-us.com.

COVERAGE

Maruyama Manufacturing Company, Inc. warrants to the ultimate purchaser and each subsequent purchaser that your small off-road engine will be designed, built and equipped, at the time of sale, to meet all applicable regulations. Maruyama Manufacturing Company, Inc. also warrants to the initial purchaser and each subsequent purchaser that your small off-road engine is free from defects in materials and workmanship which cause the engine to fail to conform with applicable regulations for a period of two years.

The 1997 and later model years, EPA requires manufacturers to small off-road engines for two years. These warranty periods will begin on the date the small off-road engine is purchased by the initial purchaser. If any emission-related part on your engine is defective, the part will be replaced by Maruyama Manufacturing Company, Inc. at no cost to the owner.

Maruyama Manufacturing Company, Inc. shall remedy warranty defects at any authorized Maruyama Manufacturing Company, Inc. engine dealer or warranty station. Any authorized work done at an authorized dealer or warranty station shall be free of charge to the owner if such work determines that a warranted part is defective. Any manufacturer-approved or equivalent replacement part may be used for any warranty maintenance or repairs on emission-related parts, and must be provided free of charge to the owner if the part is still under warranty, Maruyama Manufacturing Company, Inc. is liable for damages to other engine components caused by the failure of a warranted part still under warranty.

EPA considers emission-related warranted parts to include all the parts listed below. These warranted parts are: **the carburetor assembly, the ignition coil assembly, the ignition rotor, the spark plug, the catalytic converter, and the fuel tank.**

MAINTENANCE REQUIREMENTS

The owner is responsible for the performance of the required maintenance as defined by the Maruyama Manufacturing Company, Inc. in the owner's manual.

LIMITATIONS

This Emission Control System Warranty shall not cover any of the following:

- (a) repair or replacement required because of misuse or neglect, lack of required maintenance, repairs improperly performed or replacements not conforming to Maruyama Manufacturing Company, Inc. specifications that adversely affect performance and/or durability, and alterations or modifications not recommended or approved in writing by Maruyama Manufacturing Company, Inc., and
- (b) replacement of parts and other services and adjustments necessary for required maintenance at and after the first scheduled replacement point.

CALIFORNIA EMISSION CONTROL WARRANTY STATEMENT

YOUR WARRANTY RIGHTS AND OBLIGATIONS

The California Air Resources Board (CARB), and Maruyama Manufacturing Company, Inc. are pleased to explain the emission control system warranty on your 2015 small off-road engine. In California, new small off-road engines must be designed, built and equipped to meet the State's stringent anti-smog standards. Maruyama Manufacturing Company, Inc. must warrant the emission control system on your small off-road engine for the period of time listed above provided there has been no abuse, neglect or improper maintenance of your small off-road engine.

Your emission control system may include parts such as the carburetor or fuel injection system, the ignition system, fuel tank and catalytic converter. Also included may be hoses, belts, and connectors and other emission related assemblies.

Where a warrantable condition exists, Maruyama Manufacturing Company, Inc. will repair your small off-road engine at no cost to you, including diagnosis, parts, and labor.

MANUFACTURER'S WARRANTY COVERAGE:

The 1995 and later small off-road engines are warranted for two years. If any emission-related part on your engine is defective, the part will be repaired or replaced by Maruyama Manufacturing Company, Inc.

OWNER'S WARRANTY RESPONSIBILITIES:

- (a) As the small off-road engine owner, you are responsible for the performance of the required maintenance listed in your owner's manual.
Maruyama Manufacturing Company, Inc. recommends that you retain all receipts covering maintenance on your small off-road engine, but Maruyama Manufacturing Company, Inc. cannot deny warranty solely for the lack of receipts or for your failure to ensure the performance of all scheduled maintenance
- (b) As the small off-road engine owner, you should be aware, however, that Maruyama Manufacturing Company may deny you warranty coverage if your small off-road engine or a part has failed due to abuse, neglect, improper maintenance or unapproved modifications.
- (c) You are responsible for presenting your small off-road engine to a Maruyama Manufacturing Company, Inc. distribution center as soon as a problem exists. The warranty repairs should be completed in a reasonable amount of time, not to exceed 30 days.

If you have any questions regarding your warranty rights and responsibilities, you should contact Maruyama U.S., Inc. at 1-866-783-7400, or warranty@maruyama-us.com.

Emission System Parts

Exhaust Emission

Carburetor

Muffler

Catalytic Converter

Ignition Coil / Magneto

Spark Plug

Air Filter

EGR Valve (piston)

Fuel Filter

Evaporative Emission

Fuel Tank

This Owner's/Operator's Manual is designed to familiarize the operator with the various features and component parts of the equipment and to assist you with the operation and maintenance of your new Hedge Trimmer.

It is essential that any operator of this Hedge Trimmer product reads and understands the contents of this manual before using the Hedge Trimmer.

Important safety instructions will be identified by the following safety symbol: 

Failure to comply with the instructions in this manual may result in serious injury or death. For additional assistance, contact any local authorized Maruyama dealer or Maruyama U.S., Inc., 4770 Mercantile Drive, suite100, Fort Worth, TX 76137

TABLE OF CONTENTS

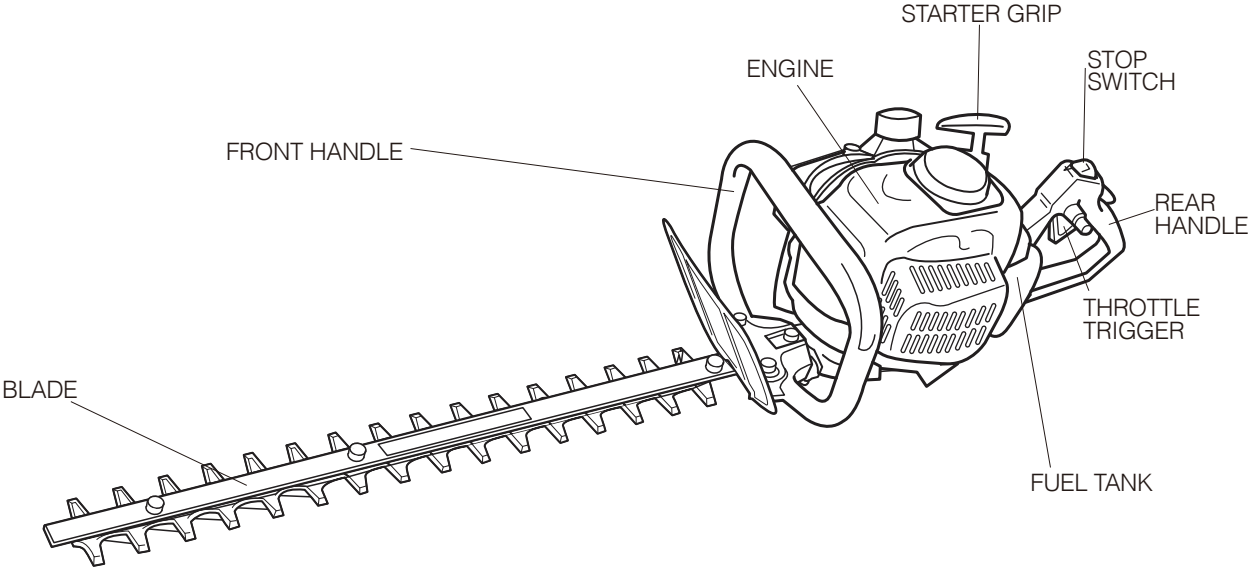
Warranty	1	Starting and stopping procedure	16
Foreword	8	Carburetor adjustment.....	17
Specifications	8	Operating the Power Hedge Trimmer	18
Product description	9	Regular maintenance	18
Warning	10	Storage	21
Before operation	13	Maintenance Period.....	22

SPECIFICATIONS

Model	H23D	H23DL
Dimensions L x W x H	1030 × 245 × 220 mm (40.5 × 9.6 × 8.7in)	1060 × 245 × 220 mm (41.7 × 9.6 × 8.7in)
Dry Weight	5.7kg(12.5lbs.)	6.0kg(13.2lbs.)
Blade Length	24in	30in
Rear Handle	Fixed	
Engine Model	CER230HT	
Engine Displacement	22.5 cm ³	
Fuel Tank Capacity	0.5 ℓ (0.53 qts.)	
Carburetor	Walbro Diaphragm Type	
Ignition System	Solid State	
Spark Plug:		
Make	NGK	
Type	BPM8Y	
Electrode Gap	0.6 ~ 0.7 mm (0.024 ~ 0.028 in.)	
Fuel Mixture:	50:1 Using Maruyama 50:1 2-Cycle Engine Oil or any Quality two-cycle engine oil designed for use in air-cooled, high performance two-cycle engines.	

PRODUCT DESCRIPTION

MODELS : H23D H23DL



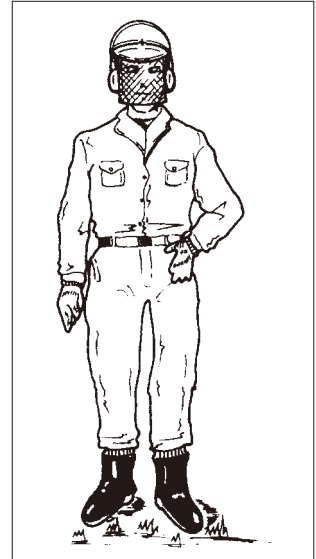


WARNING

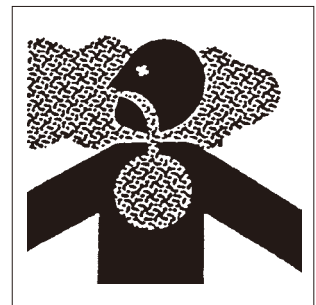


Operator safety

1. Read and understand this Owner's/Operator's Manual before using this product. Be thoroughly familiar with the proper use of this product.
2. Always wear eye protection that complies with ANSI (American National Standards Institute) Z87-1.
3. Wear hearing protection.
4. Always wear heavy long pants, boots and gloves. Do not wear loose clothing, jewelry, short pants, sandals or go barefoot. Secure hair so it is above shoulder length.



5. Never operate this Hedge Trimmer when you are tired, ill, under the influence of alcohol, drugs or medication.
6. Never start or run the engine inside a closed room or building. Breathing exhaust fumes can cause death.



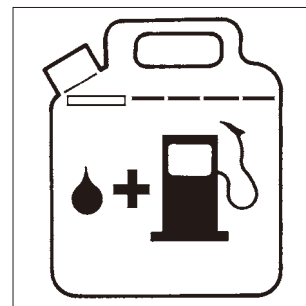
7. Keep handle clean of oil, fuel and dirt.

Power Hedge Trimmer safety

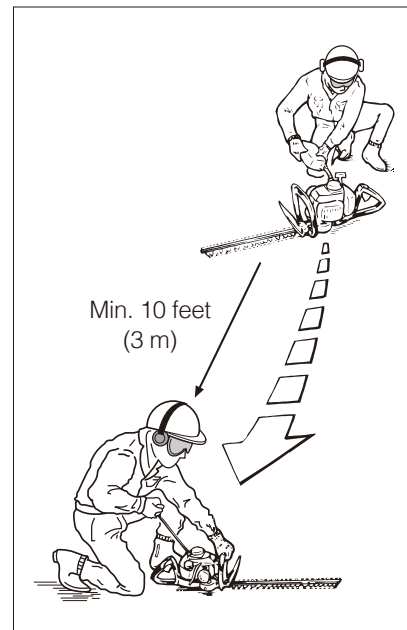
1. Shut off the engine and wait until the cutting blades have completely stopped moving before checking, maintaining or working on the Hedge Trimmer.
2. Inspect the Hedge Trimmer before each use. Replace damaged parts. Check for fuel leaks. Make sure all fasteners are in place and tightened securely.
3. Inspect the Hedge Trimmer cutting blades and guide. Replace any parts that are cracked, chipped, or damaged before using the Hedge Trimmer.
4. Never use replacement parts that are not approved by Maruyama U.S., Inc.
5. Maintain the Hedge Trimmer in accordance with the recommended maintenance intervals and procedures in the maintenance section, pages 18 to 21.
6. If running problems or excessive vibration occur, stop immediately and inspect the unit for the cause. If the cause cannot be determined or is beyond your ability to correct, return the Hedge Trimmer to your servicing dealer for repair.
7. Never use the Hedge Trimmer if handles are damaged or handle fasteners are loose. Always make sure all fasteners (nuts and bolts) are installed and properly tightened.
8. Never use a machine that has been modified so that it no longer corresponds with the original design.
9. Do not attempt to repair the Hedge Trimmer unless you are qualified to do so.
10. When transporting or storing the Hedge Trimmer always install the blade shield.

Fuel safety

1. Gasoline is highly flammable and must be handled and stored carefully. Use a container approved for storing gasoline and/or fuel/oil mixture.
2. Mix and pour fuel outdoors and where there are no sparks or flames.
3. Do not smoke near fuel or the Hedge Trimmer or while using the Hedge Trimmer.
4. Do not overfill the fuel tank. Stop filling 1/4 - 1/2 inch (6mm-13mm) from the top of the tank.
5. Wipe up any spilled fuel before starting the engine.



6. Move the Hedge Trimmer at least 10 feet (3 m) away from the fueling location before starting the engine.
7. Do not remove the Hedge Trimmer fuel tank cap while the engine is running or immediately after stopping the engine.
8. Allow the engine to cool before refueling.
9. Empty the fuel tank before storing the Hedge Trimmer. Fuel should be emptied after each use. Fuel left in the tank may leak during storage.
10. Store fuel and Hedge Trimmer away from open flame, sparks and excessive heat. Make sure fuel vapors cannot reach sparks or open flames from water heaters, furnaces, electric motors, etc.



Power Hedge Trimmer operating safety

1. THIS HEDGE TRIMMER CAN CAUSE SERIOUS INJURIES. Read the instructions carefully. Be familiar with all controls and the proper use of the Hedge Trimmer.
2. Never allow children to operate the Hedge Trimmer. It is not a toy.
3. Keep the area of operation clear of all persons, particularly small children and pets.
4. The Hedge Trimmer blades are extremely sharp. Do not put hands or feet near or under any moving parts. Keep body clear at all times.
5. Use the Hedge Trimmer only in daylight or good artificial light.
6. Inspect your work area before you begin. Remove string, rope or similar materials which can become entangled in the Hedge Trimmer blades.
7. Avoid hidden hazards. Watch for hidden objects within your working area, such as chain link fencing, cables, wires, telephone and power lines.
8. Never operate the Hedge Trimmer without proper guards or other protective safety devices in place.
9. Keep a firm footing and balance. Do not over-reach. Do not operate the Hedge Trimmer while standing on a ladder or similar temporary support.
10. Use the right tool for the job. Do not use the Hedge Trimmer for any job that is not recommended by the manufacturer.

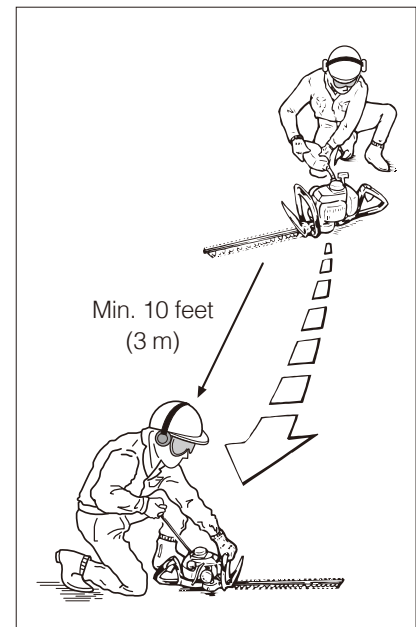
11. While operating the Hedge Trimmer be always sure of a safe and secure operating position. Do not over reach.
12. To reduce fire hazard keep engine and muffler free of debris, leaves, and dry materials. Always wipe away spilled fuel and excessive lubricant before starting.
13. Always use two hands to operate the Hedge Trimmer.
14. Always be aware of your surroundings and stay alert for possible hazards that you may not hear due to the noise of the machine.
15. Know how to stop the machine quickly in emergency. (See to stop the engine in STARTING AND STOPPING PROCEDURE SECTION.)

BEFORE OPERATION

FUELING

WARNING! The following precautions will lessen the risk of fire.

1. Do not smoke near fuel.
2. Mix and pour fuel outdoors and where there are no sparks or flames.
3. Always shut off the engine before refueling. Never remove the Hedge Trimmer fuel tank cap while the engine is running or immediately after stopping the engine.
4. Always open the fuel tank cap slowly to release any possible pressure inside the tank.
5. Do not overfill the fuel tank. Stop filling 1/4- 1/2 inch (6mm-13mm) from the top of the tank.
6. Tighten the tank fuel cap carefully but firmly after refilling.
7. Wipe up any spilled fuel before starting the engine.
8. Move the Hedge Trimmer at least 10 feet (3m) away from the fueling location and fuel storage container before starting the engine.



FUEL; MIXING GASOLINE AND OIL

IMPORTANT The engine used on this Hedge Trimmer is of a 2-cycle design. The internal moving parts of the engine, i.e., crankshaft bearings, piston pin bearings and piston to wall contact surfaces, require oil mixed with the gasoline for lubrication. Failure to add oil to the gasoline or failure to Mix oil with the gasoline at the appropriate ratio Will cause major engine damage and will void your warranty. For your fuel premix, use Maruyama Premium 2-Cycle Oil Mix, or equivalent ISO-L-EGD & JASO FC oil with a minimum 89 octane high Quality gasoline. Maruyama 2-cycle oil is specially formulated to meet the requirements of high-performance, low-emission air-cooled 2-cycle engines. Use of other oils may lead to service issues which may Not be covered by your warranty.

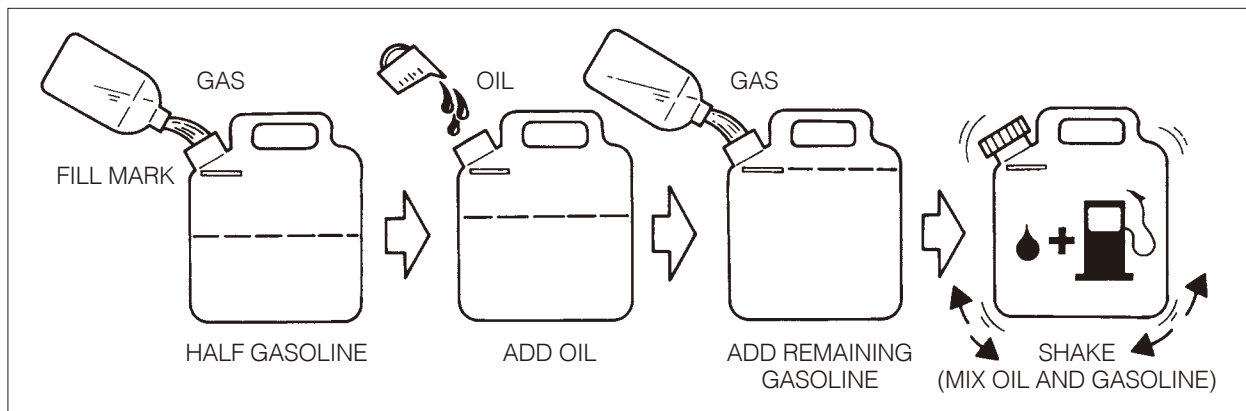
FUEL MIXTURE: When using genuine Maruyama 50:1 2-Cycle Oil, or a quality oil designed for 2-cycle air-cooled engines, oil ratio is 50 parts gasoline to 1 part oil or 50:1.

CAUTION! If Maruyama oil is not used, never use a mixing ratio less than 50:1 regardless of the oil package mixing instructions. Ratios less the 50:1, (for example, 60:1, 80:1, 100:1), reduce the amount of lubrication to the internal moving parts of the engine and can cause damage.

FUEL MIXTURE CHART:

Gasoline	Maruyama 50:1 2-Cycle Oil	Gasoline	Maruyama 50:1 2-Cycle Oil
1 gallon	2.6 oz.	1 litre	20ml
2 1/2 gallons	6.4 oz.	2 litre	40ml
5 gallons	12.8 oz.	5 litre	100ml

MIXING INSTRUCTIONS: Always mix fuel and oil in a clean container approved for gasoline. Mark the container to identify it as fuel mix for the Hedge Trimmer. Use regular unleaded gasoline and fill the container with half the required amount of gasoline. Pour the correct amount of oil into the container then add the remaining amount of gasoline. Close the container tightly and shake it momentarily to evenly mix the oil and the gasoline before filling the fuel tank on the Hedge



Trimmer.

When refilling the Hedge Trimmer fuel tank, clean around the fuel tank cap to prevent dirt and debris for entering the tank during cap removal. Always shake the premix fuel container momentarily before filling the fuel tank.

Always use a spout or funnel when fueling to reduce fuel spillage. Only fill the tank to within 1/4-1/2 inch (6mm-13mm) from the top of the tank. Avoid filling to the top of the tank filler neck.

NOTE:

1. Never mix gasoline and oil directly in the Hedge Trimmer fuel tank.

CAUTION!

1. Do not use National Marine Manufacturer's Association (NMMA) or BIA certified oils. This type or 2-cycle engine oil does not have the proper additives for air-cooled, 2-cycle engines and can cause engine damages.
2. Do not use automotive motor oil. This type of oil does not have the proper additives for air-cooled, 2-cycled engines and can cause engine damage.

ADJUSTING THE CUTTING BLADES



CAUTION-DO NOT TOUCH THE SHARPENED EDGES OF THE CUTTING BLADES. THE CUTTING BLADES ARE EXTREMELY SHARP AND DANGEROUS AT ALL TIMES. ALWAYS WEAR GLOVES TO HELP PROTECT YOUR HANDS AND FINGERS FROM INJURY.

Before operating the Hedge Trimmer it is necessary to check the adjustment of the cutting blades. Blades that are too loose may vibrate, and will not provide a clean, smooth cut.



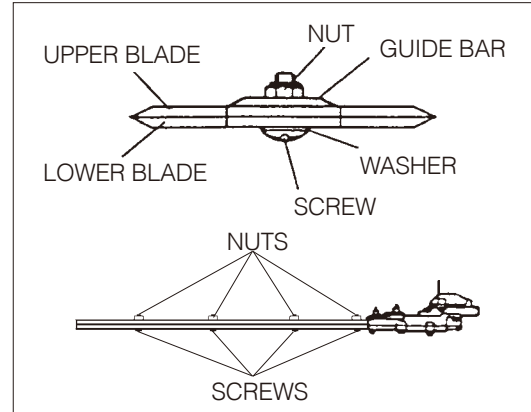
CAUTION-BLADES THAT ARE TOO TIGHT CAN CAUSE OVERLOADING WHICH MAY DAMAGE THE EQUIPMENT.

To adjust the cutting blades, refer to the illustrations and locate the screws.

Loosen the nuts.

Gently turn the screws in until snug, then turn the screws back out one-fourth to a half. While holding the screws in place, tighten the nuts. Liberally coat the cutting blades with light oil. Start the engine and operate the Hedge Trimmer at full speed for at least one minute. Stop the engine, and when the blades are motionless, touch the blades with your hand.

The blades should be warm, but if they are too hot to touch, loosen the screws 1/8 turn.



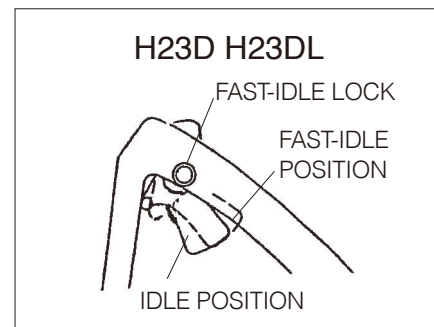
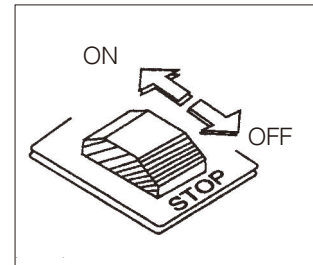
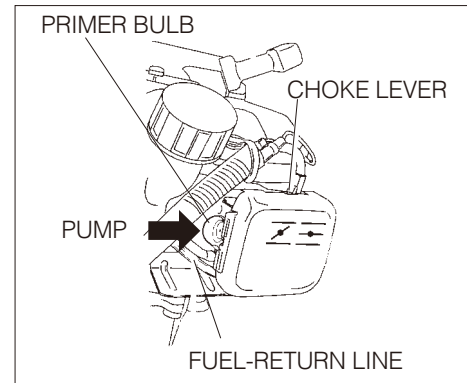
STARTING AND STOPPING PROCEDURE

Before Starting The Engine: Fill the fuel tank as instructed in the BEFORE OPERATION section of this manual. Rest the Hedge Trimmer on the ground. Make sure that the cutting blades are clear of branches, shrubs, debris, etc. Keep all bystanders, children and animals away from the working area.

STARTING THE ENGINE

The carburetors on MARUYAMA engines contain a choke system.

1. Push and release the fuel primer bulb located on the bottom of the carburetor until air bubble free fuel is seen flowing through the clear fuel return hose back to the fuel tank.
2. Move the choke lever to the closed position “ $\overline{\text{—}}$ ”. When the engine is warm, move the choke lever to the open position “ $\underline{\text{—}}$ ”.
3. Set the engine stop switch to the “ON” position.
4. Lock the throttle trigger in the fast-idle start position.



Before starting the engine, place the machine on the ground and make sure the blade is free from branches and stones.

5. Grasp the starter grip and slowly pull the starter cord out until you feel some resistance, then pull the cord quickly and powerfully. Pull the starter grip until the engine starts. After the engine is started, move the choke lever to the open position, then squeeze and release the throttle trigger to allow it to return to the idle position.
6. After starting, allow the engine to run a few minutes to warm it up before using.

NOTE:

1. Do not pull the starter cord out completely.
2. Do not release the starter cord from the fully extended position.

To Stop The Engine:

1. Release the throttle trigger.
2. Slide the stop switch to the “STOP” position.

CARBURETOR ADJUSTMENT

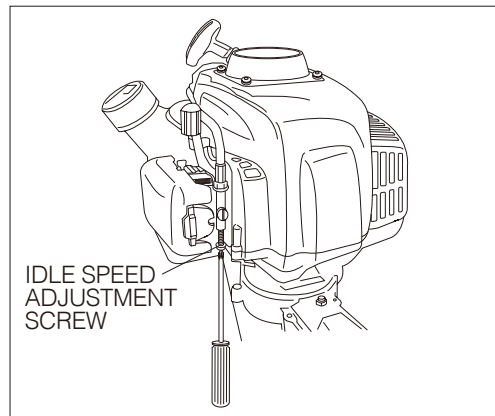
This Hedge Trimmer is equipped with non-adjustable fuel mixture carburetor. The engine idle speed is the only adjustment to the Operator.

The cutting blades may be moving during idle speed adjustment. Wear the recommended personal protective equipment and observe all safety instructions. Keep hands and body away from blade area.

Engine Idle Speed:

When the throttle trigger is released the engine should return to an idle speed which is 2700-3300 rpm or just below clutch engagement speed. The cutting blades must not move and the engine should not stall (stop running) at engine idle speed.

The engine idle speed is adjusted by rotating the idle speed screw on the carburetor. Turning the idle speed screw in (clockwise) increases engine speed while turning the screw out decreases engine speed.



If idle speed adjustment is necessary and after adjustment the cutting blades move or the engine stalls, **stop using the Hedge Trimmer immediately!**

Contact your local authorized Maruyama Dealer for assistance and servicing.

OPERATING THE POWER HEDGE TRIMMER



CAUTION—Read the **WARNING** on page (10) concerning the proper use of the Hedge Trimmer.

The MARUYAMA Hedge Trimmer is designed for cutting and trimming foliage and small branches up to 1/4 inches (6mm) in diameter. Although the MARUYAMA Hedge Trimmer is capable of cutting larger diameter branches, wear and tear of the machine would be proportionally increased.



CAUTION—Always wear gloves and protective clothing when operating the Hedge Trimmer.

If the cutting blades become jammed, stop the engine immediately. Make certain all moving parts have stopped and disconnect the spark plug before inspecting the equipment for damage. Never use a Power Hedge Trimmer that has chipped, cracked, or broken cutting blades.

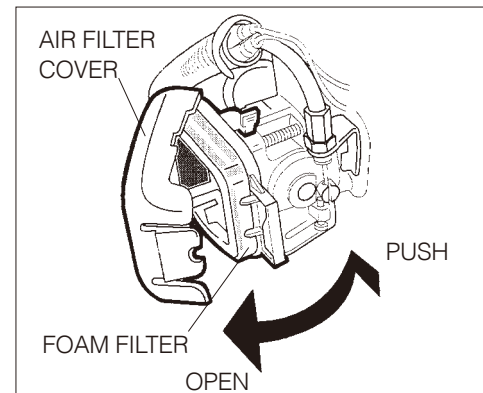
REGULAR MAINTENANCE

Maintenance, replacement or repair of emission control devices and systems may be performed by any repair establishment or individual; however, warranty repairs must be performed by a dealer or service center authorized by Maruyama Manufacturing Company, Inc. with Maruyama U.S., Inc. The use of parts that are not equivalent in performance and durability to authorized parts may impair the effectiveness of the emission control system and may have a bearing on the outcome of a warranty claim.

AIR FILTER

Maintenance Interval: The air filter should be cleaned daily or more often when working in extremely dusty conditions and replaced after every 100 hours of operation.

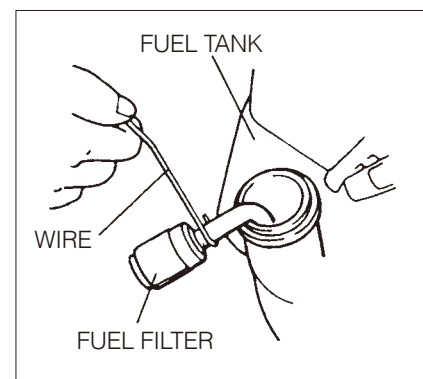
Maintenance: Push and open the air filter cover. Remove the foam filter. Clean the filter with warm, soapy water. Let the filter completely dry. Lightly apply SAE 30 motor oil to the foam filter and squeeze out all excess oil. Reassemble the filter and filter cover.



FUEL FILTER

Maintenance Interval: The fuel filter should be replaced after every 100 hours of operation.

Maintenance: The fuel filter is attached to the end of the fuel pick-up hose inside the fuel tank. To replace the fuel filter, first make sure the fuel tank is empty. Remove the fuel cap. Using a wire hook, gently pull the fuel filter out through the fuel filter opening. Grasp the fuel hose next to the fuel filter fitting and remove the filter **but do not**

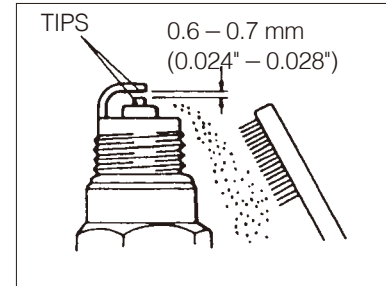


release the hose. While still holding on to the fuel hose, attach the new fuel filter. Drop the fuel filter back into the fuel tank. Make sure that the fuel filter is not stuck in a corner of the tank and that the fuel hose is not doubled over (kinked) before refueling.

SPARK PLUG

Maintenance Interval: The spark plug should be removed from the engine and checked after each 25 hours of operation and replaced after every 100 hours of operation.

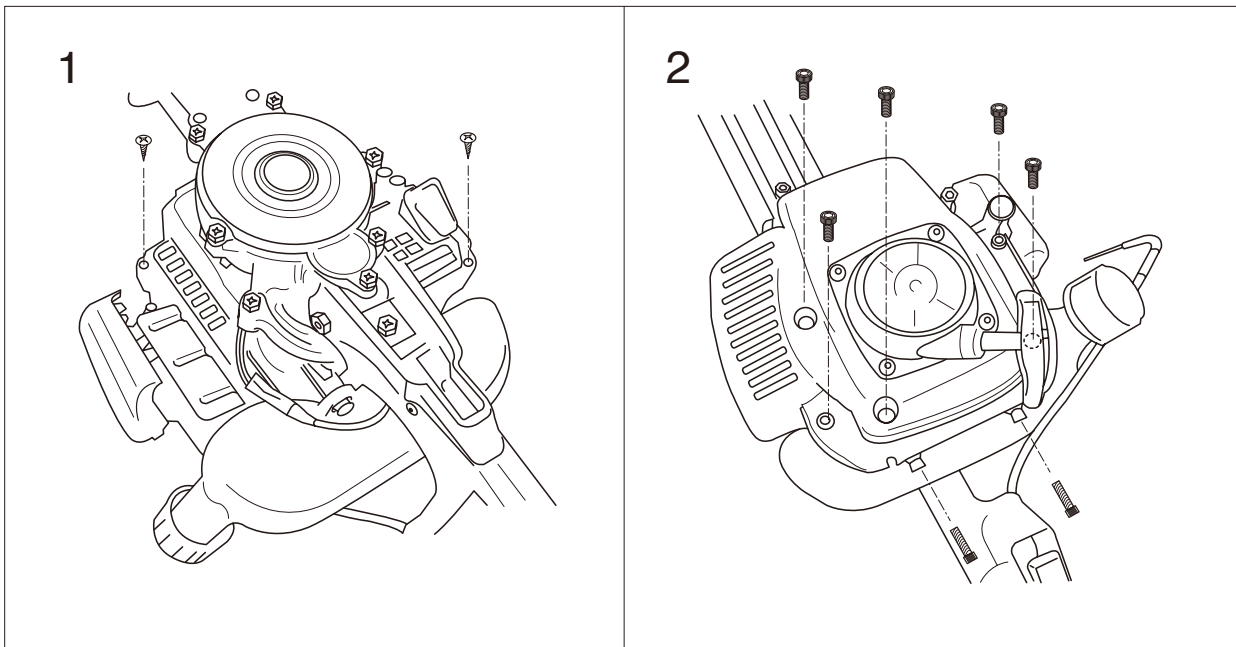
Maintenance: With the engine at ambient (room) temperature, twist the high tension lead boot on the spark plug back and forth a couple of times to loosen boot then pull the boot off of the spark plug. Remove the spark plug. The electrodes can be cleaned with a stiff brush. Adjust the electrode air gap to 0.6–0.7 mm (0.024–0.028 in.). Replace the spark plug if it is oil-fouled, damaged or if the electrodes are worn down. **Do not overtighten the spark plug when installing.** The tightening torque is 10.7–16.6 Nm (95–148 in. lbs.). Reinstall the cylinder and muffler covers.

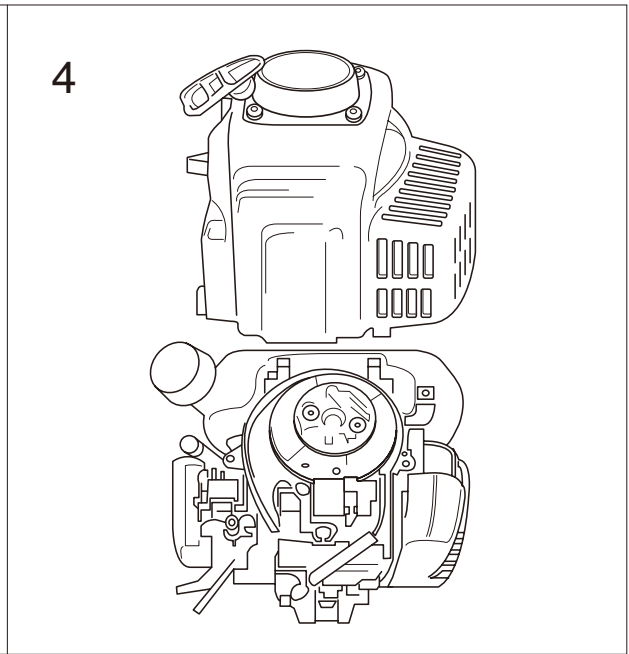
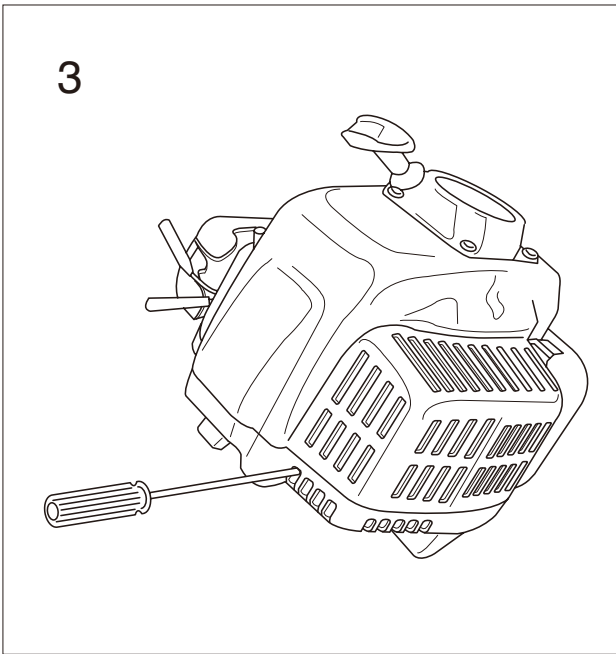


CYLINDER COOLING FINS

Maintenance Interval: The cylinder cooling fins should be cleaned after every 25 hours of operation or once a week whichever comes first. Air must flow freely around and through the cylinder cooling fins to prevent engine overheating. Leaves, grass, dirt and debris buildup on the fins will increase the operating temperature of the engine which can reduce engine performance and shorten engine life.

Maintenance: With the engine at ambient (room) temperature, remove the two tapping screws (FIG.1). Remove the four socket head screws on the plate, and remove the plate. Remove the three socket head screws (FIG.2). Push the pawl, and pull the fan cover (FIG.3, 4). Clean all dirt and debris from the cooling fins and from around the cylinder base. Reinstall fan cover and plate.

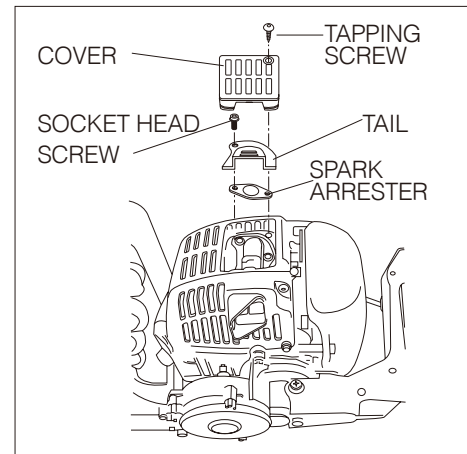




SPARK ARRESTER

Maintenance Interval: The spark arrester should be inspected and cleaned after every 25 hours of use. Replace the screen if it cannot be thoroughly cleaned or if it is damaged.

Maintenance: With the engine at ambient (room) temperature, Remove the tapping screw, and remove the cover. Remove the two socket head screws holding the tail and spark arrester to the muffler. Remove and clean the tail, gasket and spark arrester with a safety solvent and a stiff brush. If any part cannot be thoroughly cleaned, it must be replaced. Reinstall the spark arrester and tail onto the muffler, then reinstall and tighten the two socket head screws. Reinstall the cover.



EXHAUST MUFFLER

Maintenance Interval: The muffler should be inspected and cleaned after each 100 hours of use.

Maintenance: Remove the engine cover (See Cylinder cooling fins). Remove the spark arrester (See spark arrester maintenance), clean the muffler with a stiff brush. Reinstall the spark arrester and onto muffler, then reinstall and tighten the two socket head screws. Reinstall the fan cover and tighten the three socket head screws. Hook the pawl, and reinstall the cylinder cover then tighten the two socket head screws and the two tapping screws. Reinstall the plate and tighten the four socket head screws.

IMPORTANT: Don't use solvent for cleaning inside of muffler, because of the catalytic converter in muffler. Be careful not to allow any dirt or debris to fall into the exhaust port, as this can cause engine damage.

LUBRICATION : GEARCASE AND BLADES

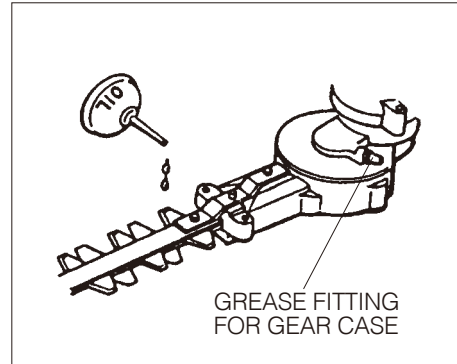
The gearcase has a felt wick located at the blade opening. As the Hedge Trimmer is used, the grease within gearcase becomes very soft. The reciprocating blades constantly draw small amounts of grease between the blade contact surfaces for additional lubrication. If the gearcase is not lubricated at the recommended intervals, a gearcase failure will occur due to a lack of lubrication.

Gearcase failures due to improper maintenance are not covered by Maruyama warranty.

The gearcase and blades should be lubricated after each 10 hours of use.

NOTE: If the Hedge Trimmer is used under severe conditions such as high ambient temperatures (above 75°F) or for extended continuous periods of operation, the gearcase and blades must be lubricated every 2 hours.

Lubricate the gearcase at the grease fitting with a good quality #2 lithium-base grease. Lubricate the blades using a light (#10 wt.) oil.

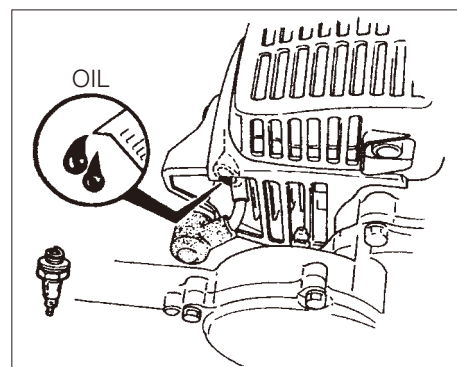


GENERAL CLEANING AND TIGHTENING

The Hedge Trimmer will provide maximum performance for many, many hours if it is maintained properly. Good maintenance includes regular checking of all fasteners for correct tightness, and cleaning of the entire machine. Pitch and gum deposits should be removed from the cutting blades daily. Adjustment of the cutting blade tension should be checked regularly. Refer to page (15) for instructions to adjust cutting blades.

STORAGE

For long-term storage of the Hedge Trimmer, empty the fuel tank into a suitable fuel storage container. Pump the primer bulb on the carburetor until all fuel is discharged through the clear fuel return hose. Run the engine to remove any fuel that may remain in the carburetor. Perform all regular maintenance procedures and any needed repairs. Remove the spark plug and squirt a very small amount of oil into the cylinder. Pull the starter cord once.



CAUTION: Oil may squirt out of the spark plug opening while pulling the starter cord. Protect your eyes and keep your face away from the spark plug opening. Slowly pull the starter cord to bring the piston to the top of the cylinder (TDC). Reinstall the spark plug. Liberally lubricated the blades with a light (#10 wt.) oil. Store the Hedge Trimmer in a dry place away from excessive heat, sparks or open flame.

Maintenance Period

	Maintenance	Daily	Every 20 hours	Every 50 hours	Every 100 hours
	Check and replenish fuel	●			
	Check for fuel leakage	●			
	Check bolts, nuts and screws for tightness or missing	●			
	Tighten bolts and nuts			●	
■	Clean air filter element		●		
	Clean spark plug and adjust electrode gap			●	
■	Remove dust and dirt from cylinder fins			●	
●	Remove carbon deposits in exhaust port			●	
●	Clean spark arrester			●	
	Replace fuel filter				●
●	Remove carbon deposits on piston head and combustion chamber				●
●	Remove carbon deposits in transfer ports				●
	Replece fuel tube, fuel tank cap gasket	It is recommended to replace every 3 years			

● : Service to be performed by an authorized Maruyama engine dealer.

■ : Service more frequently under dusty conditions.

NOTE:

The service intervals indicated are to be used as a guide.

Service to be performed more frequently as necessary depending on operating condition.

Use Maruyama standard 50:1 two-cycle engine oil.



Déclaration de garantie limitée

Les produits commerciaux et industriels Maruyama sont garantis à l'acheteur initial contre tout vice de matière ou vice de fabrication, à **partir de la date d'achat**, et ce, pour les durées suivantes :

Garantie à vie pour l'arbre de transmission interne des taille-bordures et des débroussailleuses et pour l'ensemble des modules d'allumage.

3 ans pour utilisation résidentielle, domestique, non lucrative.

1 an pour utilisation industrielle, commerciale, publique, en location et lucrative.

Les moteurs Maruyama de la série AE et Kawasaki TEX45/TEX54 bénéficient exclusivement d'une couverture supplémentaire d'un an dans le cadre d'une utilisation industrielle, commerciale, publique, en location et lucrative (2 ans au total).

Pour les autres moteurs, reportez-vous à la déclaration de garantie du fabricant correspondant.

En cas de défectuosité d'une pièce au cours de la période de garantie, Maruyama, à sa discrétion, sera tenu de la changer ou de la remplacer gratuitement. L'évaluation de la garantie est obtenue en délivrant le produit Maruyama qui semble être défectueux au Service technique d'un distributeur Maruyama agréé dans la période de garantie.

L'acheteur sera exonéré des frais de diagnostic d'une pièce sous garantie si ledit diagnostic est effectué dans un centre de distribution Maruyama agréé

Le remplacement d'une pièce sous garantie non prévu dans le plan de maintenance requise, ou programmé uniquement dans le cadre de la révision ordinaire en vue de sa "réparation ou remplacement si nécessaire" sera couvert pendant la période de garantie. Toute pièce sous garantie remplacée dans le cadre de la maintenance requise est garantie pendant la période précédant le premier point de remplacement prévu pour cette pièce. Maruyama Mfg. Co., Inc. sera tenu responsable des dommages aux autres composants du moteur causés par la défaillance d'une pièce encore sous garantie.

Il incombe au propriétaire d'effectuer la maintenance requise, comme décrit par Maruyama Mfg. Co., Inc. dans le manuel d'utilisation.

GARANTIE DES PIÈCES LIÉES AUX ÉMISSIONS : Outre la couverture de garantie stipulée ci-dessus, Maruyama Mfg. Co., Inc. se chargera de la réparation ou du remplacement, sans frais supplémentaire pour l'acheteur initial et les sous-acquéreurs, d'une pièce liée aux émissions s'avérant défectueuse pour vice de matières et vice de fabrication, pendant une durée de deux ans (2) à compter de la date de livraison par le détaillant d'origine, **excepté le pot catalytique. Le pot catalytique est garanti pour une durée d'un à partir de la date de livraison par le détaillant d'origine. Les pièces liées aux émissions couvertes par la garantie sont : le carburateur, le système d'allumage, le rotor de distributeur, la bougie et le pot catalytique.** Toute pièce de rechange qui est de prestations et de durabilité équivalentes peut être utilisée dans des interventions de maintenance ou de réparations hors garantie, et elle ne réduira pas les obligations de garantie de Maruyama Mfg. Co., Inc.

En vigueur depuis le 1er juin 2000

Cette garantie ne couvre pas les conditions suivantes :

1. Eléments de maintenance (à l'exception des vices de matière et vices de fabrication) y compris les tuyaux flexibles, bougies, câbles de démarreur, filtres à air et à carburant, masselottes d'embrayage, isolateurs de vibration, câbles d'accélérateur et dispositifs de coupe, etc.
2. Frais additionnels incluant l'envoi et la manutention, le déplacement, les indemnités pour temps d'inactivité ou de nuisance et d'entreposage.
3. Ajouts ou modifications de pièces de marchés secondaires non autorisées par Maruyama U.S., Inc.
4. Toute défaillance causée par l'usure, un accident, une négligence, une utilisation abusive, des carburants, lubrifiants et mélanges de carburants (le cas échéant) inappropriés, ou une utilisation ou un entretien défectueux du produit découlant du non-respect des instructions fournies par Maruyama.

La réparation ou le remplacement tel que stipulé dans la présente garantie est la solution unique de l'utilisateur. Maruyama ne saurait être tenu responsable des dommages accessoires ou indirects dus à un manquement exprès ou implicite à la garantie de ces produits, sous réserve des limites établies par la loi en vigueur. Toute garantie tacite de qualité marchande ou d'aptitude à un but particulier pour ce produit est limitée par la durée de cette garantie, telle que définie dans la déclaration de garantie limitée. Maruyama se réserve le droit de modifier ou d'améliorer le design du produit sans préavis et décline toute obligation de mettre à jour les produits préalablement fabriqués.

Cette garantie vous offre des droits juridiques spécifiques susceptibles de varier selon la législation particulière d'un État.

Il incombe au propriétaire et au revendeur de remplir correctement la carte d'enregistrement de la garantie et de l'adresser à la société Maruyama U.S., Inc. Une preuve d'achat et de l'enregistrement sera requise en vue de bénéficier du service de garantie.

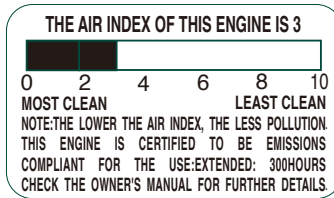
Pour localiser le distributeur Maruyama agréé le plus proche, contactez :

Maruyama U.S., Inc.
4770 Mercantile Drive, suite 100,
Fort Worth, TX 76137
(940) 383-7400
maruyama@maruyama-us.com
www.maruyama-us.com

En vigueur depuis le 1er juin 2000

⚠ AVERTISSEMENT: ⚠

Les vapeurs d'échappement de ce produit contiennent des chimiques connus à l'Etat de Californie comme causes de cancer, anomalies congénitales, ou autres effets mauvaises de reproduction.



CER230HT

DÉCLARATION DE GARANTIE DU CONTRÔLE DES ÉMISSIONS DE L'ÉTAT FÉDÉRAL. DROITS ET OBLIGATIONS DÉRIVÉS DE LA GARANTIE

L'Agence de Protection environnementale des États-Unis (EPA) et Maruyama Manufacturing Company, Inc. ont le plaisir d'expliquer la **garantie du système de contrôle des émissions** concernant votre petit moteur hors route. Les nouveaux petits moteurs hors route modèles 1997 et ultérieurs doivent être conçus, fabriqués et équipés, au moment de la vente, en vue de respecter les réglementations de l'EPA des États-Unis en matière de petits moteurs hors route. Le moteur de l'appareil ne doit présenter aucun vice de matière, ni vice de fabrication susceptibles d'entraver sa conformité aux normes de l'EPA des États-Unis au cours des deux premières années d'utilisation du moteur, à partir de la date de vente jusqu'au dernier acquéreur. Maruyama Manufacturing Company, Inc. doit garantir le système de contrôle des émissions de votre petit moteur hors route pour la durée indiquée ci-dessus, sous réserve de l'absence d'abus, de négligence ou d'entretien incorrect de celui-ci.

Période de durabilité des émissions : 300 heures.

Votre système de contrôle des émissions doit inclure des pièces telles que le carburateur ou le système d'injection, le système d'allumage, et le pot catalytique. Il doit également inclure les tuyaux flexibles, courroies, et connecteurs, ainsi que les autres systèmes liés aux émissions.

Toute pièce sous garantie de votre petit moteur hors route sera gratuitement réparée par Maruyama Manufacturing Company, Inc., y compris le diagnostic (s'il est effectué dans un centre agréé), les pièces et la main d'œuvre.

COUVERTURE DE GARANTIE DU FABRICANT :

Les petits moteurs hors route modèles 1997 et ultérieurs sont garantis pendant deux ans. Si une pièce de votre moteur liée aux émissions s'avère défectueuse, la pièce sera réparée ou remplacée gratuitement par Maruyama Manufacturing Company, Inc.

RESPONSABILITÉS DU PROPRIÉTAIRE LIÉES À LA GARANTIE :

- (a) En tant que propriétaire de petit moteur hors route, vous êtes tenu de réaliser la maintenance requise indiquée dans votre manuel d'utilisation.
Maruyama Manufacturing Company, Inc. vous recommande de conserver tous vos reçus concernant l'entretien de votre petit moteur hors route, toutefois Maruyama Manufacturing Company, Inc. ne saurait refuser la garantie uniquement en l'absence de reçus ou de la non-réalisation de tous les travaux d'entretien programmés. Toute pièce de rechange ou service qui sont de prestations et de durabilité équivalentes peuvent être utilisés dans des interventions d'entretien ou de réparations hors garantie, sans pour autant réduire les obligations de garantie du fabricant du moteur.
- (b) En tant que propriétaire de petit moteur hors route, vous devez néanmoins savoir que Maruyama Manufacturing Company peut vous refuser la couverture de la garantie si la panne de votre petit moteur hors route ou d'une pièce quelconque sont dus à un abus, à une négligence, à un entretien incorrect ou à des modifications non approuvées.
- (c) Vous êtes tenu de présenter votre petit moteur hors route dans un centre de distribution de Maruyama Manufacturing Company, Inc. dès qu'un problème survient. Les réparations sous garantie doivent être réalisées dans un délai raisonnable de 30 jours.

Si vous avez des questions concernant vos droits et obligations liés à la garantie, vous devez contacter Maruyama U.S., Inc. en appelant le n° **1-866-783-7400**, ou warranty@maruyama-us.com.

COUVERTURE

Maruyama Manufacturing Company, Inc. garantit à l'acheteur initial et aux sous-acquéreurs que le petit moteur hors route sera conçu, fabriqué et équipé, au moment de la vente, en vue de respecter toutes les réglementations en vigueur. Maruyama Manufacturing Company, Inc. garantit également à l'acheteur initial et aux sous-acquéreurs que le petit moteur hors route ne présente aucun vice de matière, ni vice de fabrication susceptibles d'entraver sa conformité aux réglementations en vigueur pendant une durée de deux ans.

L'EPA oblige les fabricants de ce type de moteurs à respecter les réglementations pendant deux ans. Ces périodes de garantie commenceront à la date d'achat du petit moteur hors route par l'acheteur initial. En cas de défectuosité de l'une des pièces de votre moteur liée aux émissions, celle-ci sera remplacée gratuitement par Maruyama Manufacturing Company, Inc.

Maruyama Manufacturing Company, Inc. doit réparer ou remplacer toute pièce défectueuse encore sous garantie dans l'un des centres agréés ou de garantie de Maruyama Manufacturing Company, Inc. Tout travail autorisé effectué dans l'un des centres de distribution agréé ou de garantie doit être gratuit s'il est avéré qu'une pièce sous garantie est défectueuse. Il faut utiliser une pièce de remplacement approuvée par le fabricant ou équivalente lors d'une intervention de maintenance ou de réparation de pièces liées aux émissions, couvertes par la garantie. Ces interventions seront gratuites si la garantie est toujours valide. Maruyama Manufacturing Company, Inc. sera tenu responsable des dommages aux autres composants du moteur causés par la défaillance d'une pièce encore sous garantie.

EPA considère que les pièces liées aux émissions sous garantie doivent inclure toutes les pièces énumérées ci-dessous. Ces pièces sous garantie sont : **le carburateur, le système d'allumage, le rotor de distributeur, la bougie, le pot catalytique et le réservoir de carburant.**

MAINTENANCE NÉCESSAIRE

Le propriétaire est tenu de réaliser la maintenance requise telle que définie par Maruyama Manufacturing Company, Inc. dans le manuel d'utilisation.

LIMITATIONS

Cette garantie du système de contrôle des émissions ne couvrira aucune des conditions suivantes :

- (a) réparation ou remplacement d'une pièce consécutivement à une utilisation abusive ou à une négligence, au manquement à la maintenance requise, à des réparations inappropriées ou à des remplacements non conformes aux caractéristiques techniques de Maruyama Manufacturing Company, Inc. susceptibles d'affecter les performances et/ou la durabilité de l'appareil, et aux ajouts ou modifications non recommandés ni approuvés par écrit par Maruyama Manufacturing Company, Inc., et
- (b) remplacement de pièces et d'autres services, réglages nécessaires dans le cadre de la maintenance requise et après le premier point de remplacement programmé.

DÉCLARATION DE GARANTIE DU CONTRÔLE DES ÉMISSIONS DE LA CALIFORNIE. DROITS ET OBLIGATIONS DÉRIVÉS DE LA GARANTIE

Le Comité des ressources de l'air de la Californie (CARB), et Maruyama Manufacturing Company, Inc. ont le plaisir d'expliquer la garantie du système de contrôle des émissions concernant votre petit moteur hors route 2015. En Californie, les nouveaux petits moteurs hors route doivent être conçus, construits et équipés en vue de respecter les normes anti-pollution strictes de l'Etat. Maruyama Manufacturing Company, Inc. doit garantir le système de contrôle des émissions concernant votre petit moteur hors route pour la durée indiquée ci-dessus, sous réserve qu'il n'y a pas eu d'abus, de négligence ou d'entretien incorrect de celui-ci.

Votre système de contrôle des émissions doit inclure des pièces telles que le carburateur ou le système d'injection, le système d'allumage, le réservoir de carburant et le pot catalytique. Il doit également inclure les tuyaux flexibles, courroies, et connecteurs, ainsi que les autres systèmes liés aux émissions.

Toute pièce sous garantie de votre petit moteur hors route sera gratuitement réparée par Maruyama Manufacturing Company, Inc., y compris le diagnostic, les pièces et la main d'œuvre.

COUVERTURE DE GARANTIE DU FABRICANT :

Les petits moteurs hors route modèles 1995 et ultérieurs sont garantis pendant deux ans. En cas de défectuosité d'une pièce de votre moteur liée aux émissions, celle-ci sera réparée ou remplacée par Maruyama Manufacturing Company, Inc.

RESPONSABILITÉS DU PROPRIÉTAIRE LIÉES À LA GARANTIE :

- (a) En tant que propriétaire de petit moteur hors route, vous êtes tenu de réaliser la maintenance requise indiquée dans votre manuel d'utilisation.
Maruyama Manufacturing Company, Inc. vous recommande de conserver tous vos reçus concernant l'entretien de votre petit moteur hors route, toutefois Maruyama Manufacturing Company, Inc. ne saurait refuser la garantie uniquement en l'absence de reçus ou de la non-réalisation de tous les travaux d'entretien programmés.
- (b) En tant que propriétaire de petit moteur hors route, vous devez néanmoins savoir que Maruyama Manufacturing Company peut vous refuser la couverture de la garantie si la panne de votre petit moteur hors route ou d'une pièce quelconque sont dus à un abus, à une négligence, à un entretien incorrect ou à des modifications non approuvées.
- (c) Vous êtes tenu de présenter votre petit moteur hors route dans un centre de services Maruyama Manufacturing Company, Inc. dès qu'un problème survient. Les réparations sous garantie doivent être réalisées dans un délai raisonnable de 30 jours.

Si vous avez des questions concernant vos droits et obligations liés à la garantie, vous devez contacter Maruyama U.S., Inc. en appelant le n° **1-866-783-7400**, ou warranty@maruyama-us.com.

Pièces du système d'émissions

Émissions d'échappement

Carburateur

Silencieux

Pot catalytique

Bobine d'allumage / Magnéto

Bougie

Filtre à air

Soupape RGE (piston)

Filtre à carburant

Émissions par évaporation

Réservoir de carburant

Ce manuel est conçu pour vous familiariser avec les différentes caractéristiques et pièces de l'appareil, et vous assister pendant le montage, le fonctionnement et la maintenance de votre nouveau taille-haie.

Il est impératif que chaque utilisateur de ce taille-haie, lise et comprenne le contenu de ce manuel avant d'utiliser l'appareil.

Les consignes de sécurité importantes sont identifiées par le symbole de sécurité suivant :



Le non-respect des instructions incluses dans ce manuel peut entraîner des blessures graves, voire mortelles.

Pour une assistance supplémentaire, contactez le centre de services Maruyama agréé le plus proche ou Maruyama U.S., Inc., 4770 Mercantile Drive, suite100, Fort Worth, TX 76137

TABLE DES MATIÈRES

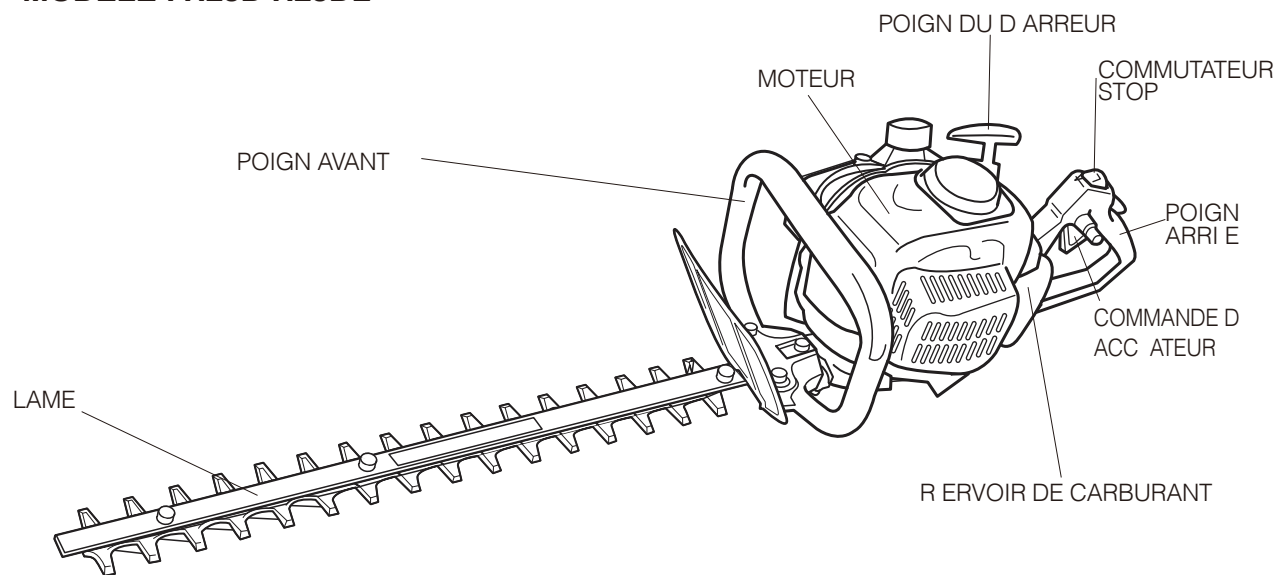
Garantie	23	Procédures de démarrage et d'arrêt	38
Avant propos	30	Réglage du carburateur	39
Caractéristiques techniques	30	Utilisation du taille-haie	40
Description du produit	31	Maintenance régulière	40
Avertissement	32	Entreposage	43
Avant d'utiliser l'appareil	35		

Caractéristiques techniques

Model	H23D	H23DL
Dimensions L x L x H	1030 × 245 × 220 mm (40.5 × 9.6 × 8.7in)	1060 × 245 × 220 mm (41.7 × 9.6 × 8.7in)
Poids à sec	5.7kg(12.5lbs.)	6.0kg(13.2lbs.)
Longueur de lame	24in	30in
Poignée arrière	Fixed	
Modèle de moteur	CER230HT	
Cylindrée	22.5 cm ³	
Contenance du réservoir à carburant	0.5 l (0.53 qts.)	
Carburateur	Diaphragme type Walbro	
Système d'allumage	Corps solide	
Bougie		
Marque	NGK	
Type	BPM8Y	
Écartement des électrodes	0.6 ~ 0.7 mm (0.024 ~ 0.028 in.)	
Mélange de carburant :	50:1 Utilisez une huile pour moteur deux temps 50:1 Maruyama ou toute autre huile pour moteur deux temps conçue pour moteurs deux temps à refroidissement par air et à haute performance.	

DESCRIPTION DU PRODUIT

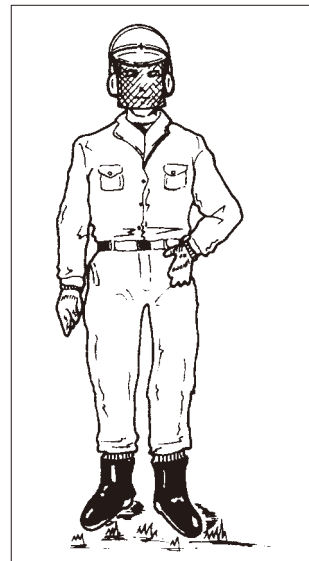
MODÈLE : H23D H23DL



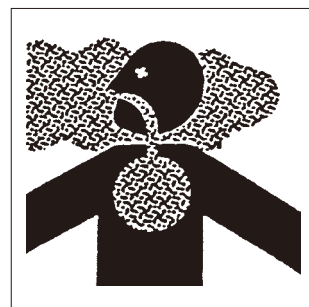
⚠ MISE EN GARDE ⚠

Sécurité de l'utilisateur

1. Avant d'utiliser ce produit, lisez attentivement l'intégralité du présent manuel d'utilisation. Assimilez entièrement son contenu en vue d'une utilisation appropriée du produit.
2. Portez toujours des lunettes de sécurité conformes à la norme ANSI (American National Standards Institute) Z87-1.
3. Portez des protecteurs auditifs.
4. Portez toujours des pantalons longs, des bottes et des gants. Ne portez jamais des vêtements amples, des bijoux, des pantacourts, des sandales, ni ne travaillez pieds nus. Attachez vos cheveux au-dessus de vos épaules.



5. N'utilisez jamais le taille-haie si vous êtes fatigué, malade, sous l'emprise de l'alcool, de la drogue ou de la médication.
6. Ne démarrez jamais, ni ne faites tourner le moteur dans un lieu clos ou un bâtiment. La respiration des gaz d'échappement peut entraîner la mort.



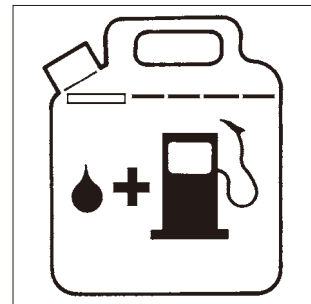
7. Nettoyez les poignées de toute trace d'huile ou de carburant.

Sécurité du taille-haie

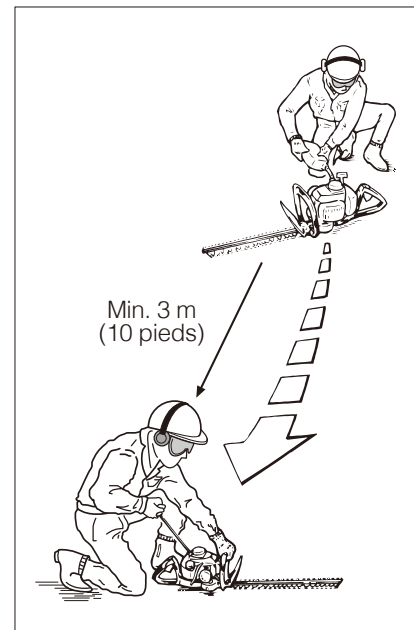
1. Éteignez le moteur et attendez jusqu'à l'immobilisation complète des lames avant d'entreprendre toute opération de révision, de maintenance ou de réparation sur le taille-haie.
2. Révissez le taille-haie avant chaque utilisation. Remplacez les pièces endommagées. Recherchez les fuites de carburant. Vérifiez que les pièces de fixation sont en place et correctement serrées.
3. Révissez les lames et le guide du taille-haie. Avant d'utiliser le taille-haie, remplacez les pièces fissurées, ébréchées ou endommagées.
4. N'utilisez jamais de pièces de rechange non homologuées par Maruyama U.S., Inc.
5. Réalisez la maintenance du taille-haie selon les intervalles et procédures recommandés à la section "Maintenance", pages 40 à 43.
6. En cas de problèmes de fonctionnement ou de vibration excessive, arrêtez immédiatement le moteur et inspectez l'unité pour identifier la cause du problème. Si vous ne parvenez pas à déterminer la cause de la panne ou que vous n'êtes pas en mesure de la corriger, retournez le taille-haie à votre service de maintenance pour réparation.
7. N'utilisez jamais le taille-haie si les poignées sont endommagées ou leurs pièces de fixation ne sont pas bien serrées. Vérifiez toujours que les pièces de fixation (écrous et boulons) sont en place et correctement serrées.
8. N'utilisez jamais un appareil qui a été modifié puisqu'il ne correspond plus au modèle d'origine.
9. Ne tentez en aucun cas de réparer le taille-haie à moins que vous soyez qualifié pour le faire.
10. Lors du transport ou de l'entreposage du taille-haie, installez toujours le protecteur de lame.

Sécurité du carburant

1. L'essence est hautement inflammable et doit être soigneusement manipulée et entreposée. Utilisez un bidon homologué pour entreposer l'essence ou le mélange de carburant et d'huile.
2. Faites le mélange et le remplissage en essence à l'extérieur et à l'abri de flammes ou d'étincelles.
3. Ne fumez jamais à proximité de récipients contenant du carburant ou du taille-haie. Évitez également de fumer lorsque vous utilisez le taille-haie.
4. Ne remplissez pas le réservoir de carburant de façon excessive. Arrêtez de remplir à 6 mm-13 mm (1/4-1/2 pouces) de la partie supérieure du réservoir.
5. Avant d'allumer le moteur, nettoyez le carburant renversé.



6. Avant de démarrer le moteur, éloignez le taille-haie de 3 m (10 pieds) au minimum du lieu de remplissage de carburant.
7. Ne retirez pas le bouchon du réservoir de carburant si le moteur est en fonctionnement ou immédiatement après l'avoir arrêté.
8. Avant de remettre du carburant, laissez le moteur se refroidir.
9. Videz le réservoir de carburant avant de ranger le taille-haie. Vous devez vider le carburant après chaque utilisation afin d'éviter toute fuite de carburant pendant l'entreposage.
10. Entrez le carburant et le taille-haie à l'abri de flammes nues, d'étincelles ou de chaleur excessive. Assurez-vous que les vapeurs de carburant n'atteignent pas les étincelles ou flammes nues de chauffe-eau, de fours, de moteurs électriques, etc.



Sécurité de fonctionnement du taille-haie

1. CE TAILLE-HAIE PEUT PROVOQUER DES BLESSURES GRAVES.
Lisez attentivement les instructions. Familiarisez-vous avec les commandes et le fonctionnement du taille-haie.
2. Ne laissez jamais un enfant utiliser le taille-haie. Il ne s'agit pas d'un jouet.
3. Empêchez les passants, plus particulièrement les petits enfants et les animaux domestiques de s'approcher de la zone de travail.
4. Les lames du taille-haie sont très affûtées. Ne mettez ni les mains, ni les pieds près ou sous les pièces en mouvement. Maintenez à tout moment votre corps éloigné de ces pièces.
5. Utilisez uniquement le taille-haie à la lumière du jour ou sous un éclairage artificiel adéquat.
6. Inspectez votre zone de travail avant de commencer. Débarrassez la zone de ficelles, cordes ou matériaux similaires susceptibles de s'emmêler sur les lames du taille-haie.
7. Évitez les dangers cachés. Recherchez les objets cachés dans votre zone de travail, tels que des grillages à mailles, des câbles, du fil de fer, des lignes téléphoniques et électriques.
8. N'utilisez jamais le taille-haie sans les protections appropriées et les dispositifs de sécurité en place.
9. Demeurez bien campé sur vos jambes et gardez votre équilibre. N'adoptez pas de position forcée. N'utilisez jamais le taille-haie sur une échelle ou un support similaire.
10. Utilisez les accessoires corrects. N'utilisez pas le taille-haie pour un travail qui n'est pas recommandé par le fabricant.

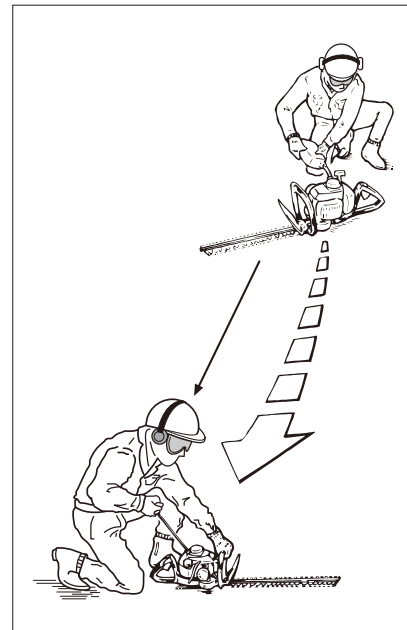
11. Lorsque vous utilisez le taille-haie, adoptez toujours une position de travail sûre. N'adoptez pas de position forcée.
12. Afin de prévenir tout danger d'incendie, éliminez les débris, les feuilles et toute autre matière sèche du moteur et du silencieux. Avant de démarrer l'appareil, nettoyez toujours le carburant renversé et l'excédent de lubrifiant.
13. Utilisez toujours le taille-haie avec les deux mains.
14. Familiarisez-vous avec la zone travail et redoublez de vigilance contre d'éventuels dangers, que vous ne pourriez pas entendre à cause du bruit du moteur.
15. Apprenez comment arrêter l'appareil rapidement en cas d'urgence. (Reportez-vous à la section "PROCÉDURES DE DÉMARRAGE ET D'ARRÊT" pour savoir comment arrêter le moteur.)

AVANT D'UTILISER L'APPAREIL

REPLISSAGE EN CARBURANT

MISE EN GARDE ! Les précautions suivantes réduiront le risque d'incendie.

1. Ne fumez jamais à proximité de l'essence.
2. Faites le mélange et le remplissage en essence à l'extérieur et à l'abri de flammes ou d'étincelles.
3. Éteignez toujours le moteur avant le remplissage en essence. Ne retirez jamais le bouchon du réservoir de carburant si le moteur est en fonctionnement ou immédiatement après l'avoir arrêté.
4. Ouvrez toujours le bouchon du réservoir lentement pour libérer la pression contenue à l'intérieur de celui-ci.
5. Ne remplissez pas le réservoir de carburant de façon excessive. Arrêtez de remplir à 6 mm-13mm (1/4-1/2 pouces) de la partie supérieure du réservoir.
6. Serrez avec précaution, mais fermement le bouchon du réservoir après le remplissage.
7. Avant d'allumer le moteur, nettoyez le carburant renversé.
8. Avant de démarrer le moteur, éloignez le taille-haie de 3m (10 pieds) au moins du lieu de remplissage de carburant et du bidon d'essence.



CARBURANT : MÉLANGE ESSENCE-HUILE

IMPORTANT: Ce taille-haie est équipé d'un moteur deux temps. Utilisez une huile mélangée à l'essence pour lubrifier les pièces internes en mouvement du moteur, à savoir les paliers, les coussinets de pied de bielle et les surfaces de contact du piston avec la paroi du cylindre. Un mélange essence-huile inapproprié ou disproportionné endommagera gravement le moteur et vous fera perdre vos droits de garantie. Pour votre mélange huile-essence, utilisez de l'huile haut de gamme pour moteurs deux temps Maruyama, ou de l'huile équivalente ISO-LEGD & JASO FC avec une essence d'au moins 89 octanes de qualité supérieure. L'huile Maruyama pour moteurs deux temps est spécialement conçue pour répondre aux exigences des moteurs à refroidissement par air, à faible taux d'émission et à haute performance. L'utilisation d'une huile différente peut entraîner des problèmes de maintenance non couverts par votre garantie.

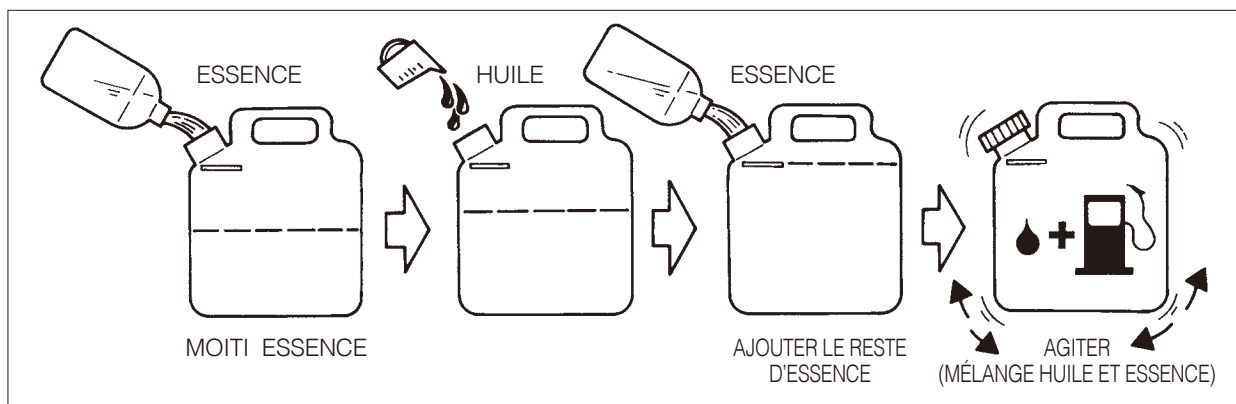
MÉLANGE DE CARBURANT: Lorsque vous utilisez l'huile pour moteur deux temps 50:1 Maruyama d'origine, ou une huile de qualité conçue pour moteurs deux temps à refroidissement par air, le rapport du mélange est 50 parts d'essence pour 1 part d'huile ou 50:1.

PRÉCAUTION! Si vous n'utilisez pas d'huile Maruyama, le rapport de mélange ne doit jamais être inférieur à 50:1 indépendamment des instructions de mélange figurant sur le conditionnement extérieur du bidon d'huile. Un rapport inférieur à 50:1, (par exemple, 60:1, 80:1, 100:1) réduit la quantité de lubrification des pièces internes en mouvement du moteur risquant de l'endommager.

TABLE DE MÉLANGE DE CARBURANT:

Essence	Huile Maruyama pour moteur deux temps 50:1	Essence	Huile Maruyama pour moteur deux temps 50:1
1 gallon	2,6 oz.	1 litre	20ml
2 1/2 gallons	6,4 oz.	2 litre	40ml
5 gallons	12,8 oz.	5 litre	100ml

INSTRUCTIONS POUR PRÉPARER LE MÉLANGE : Mélangez toujours le carburant et l'huile dans un récipient propre approuvé pour l'essence. Marquez le bidon pour l'identifier comme mélange de carburant destiné au taille-haie. Remplissez le récipient d'essence sans plomb ordinaire jusqu'à la moitié de la quantité d'essence nécessaire. Ajoutez la quantité correcte d'huile, puis le reste d'essence. Fermez le bidon et secouez-le momentanément pour



mélanger l'huile et l'essence avant de remplir le réservoir à essence du taille-haie.

Lors du remplissage du réservoir du taille-haie, nettoyez le pourtour du bouchon afin d'éviter l'introduction de débris et de saletés au moment de son dévissage. Secouez le bidon de mélange de carburant quelques instants avant de remplir le réservoir de carburant.

Utilisez toujours un bec verseur ou un entonnoir lors du plein pour éviter un déversement. Remplissez le réservoir en laissant un espace d'environ de 6mm-13mm (1/4-1/2 pouces) de la partie supérieure du réservoir. Ne remplissez pas au-delà du col de remplissage.

REMARQUE :

1. Ne mélangez jamais l'essence et l'huile directement dans le réservoir du taille-haie.

PRÉCAUTION !

1. N'utilisez aucune huile certifiée par l'Association de fabricants marins (National Marine Manufacturer's Association - NMMA) ou BIA. Ce type d'huile moteur deux temps ne contient pas les additifs convenant aux moteurs 2 temps à refroidissement par air et risquent d'endommager le moteur.
2. N'utilisez pas d'huile moteur automobile. Ce type d'huile ne contient pas les additifs convenant aux moteurs 2 temps à refroidissement par air et risquent d'endommager le moteur.

RÉGLAGE DES LAMES DE COUPE



PRÉCAUTION : NE TOUCHEZ PAS LES BORDS TRANCHANTS DES LAMES DE COUPE. LES LAMES SONT TRÈS AFFÛTÉES ET DANGEREUSES À TOUT MOMENT. PORTEZ TOUJOURS DES GANTS DE SÉCURITÉ POUR ÉVITER DE VOUS BLESSER AUX MAINS ET AUX DOIGTS.

Avant d'utiliser le taille-haie, il est nécessaire de vérifier le réglage des lames. Des lames trop lâches risquent de vibrer et n'offriront donc pas une coupe propre et homogène.

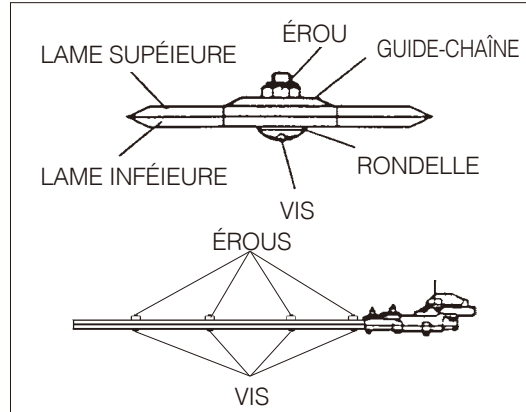


PRÉCAUTION : LES LAMES QUI SONT SERRÉES DE FAÇON EXCESSIVE PEUVENT PROVOQUER UNE SURCHARGE SUSCEPTIBLE D'ENDOMMAGER L'APPAREIL.

Pour ajuster les lames, reportez-vous aux illustrations et repérez les vis.

Dévissez les écrous.

Tournez délicatement les vis jusqu'à les serrer, puis faites-les tourner dans le sens inverse d'un quart à un demi tour. Tout en maintenant les vis en place, serrez les écrous. Graissez généreusement les lames avec de l'huile légère. Allumez le moteur et utilisez le taille-haie à pleins gaz au moins pendant une minute. Arrêtez le moteur. Lorsque les lames sont complètement immobiles, touchez les lames avec la main. Les lames devraient être chaudes, mais si elles le sont de trop, desserrez les vis 1/8 de tour.



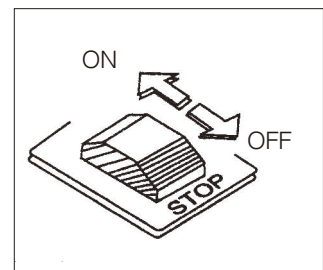
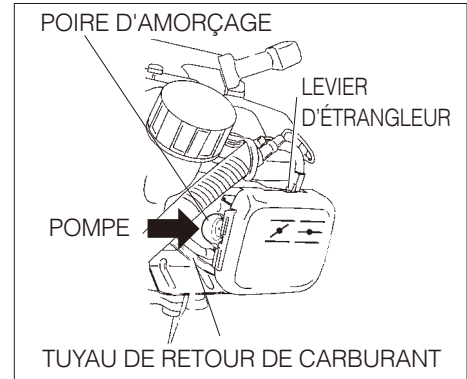
PROCÉDURES DE DÉMARRAGE ET D'ARRÊT

Avant d'allumer le moteur: Remplissez le réservoir en carburant tel qu'indiqué à la section "AVANT D'UTILISER L'APPAREIL" du présent manuel. Placez le taille-haie au sol. Nettoyez les branches, arbustes, débris, etc. des lames. Maintenez éloignés les passants, enfants et animaux de la zone de travail.

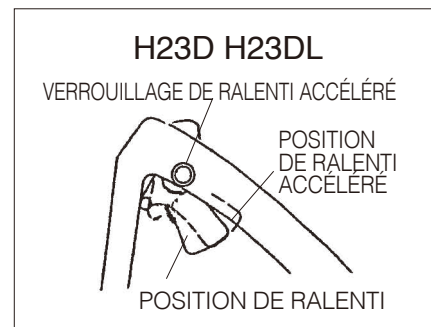
DÉMARRAGE DU MOTEUR

Le carburateur des moteurs MARUYAMA est équipé d'un système d'étranglement.

1. Appuyez, puis relâchez la poire d'amorçage de carburant situé sous le carburateur jusqu'à ce que du carburant sans bulles d'air apparaisse dans le tuyau de retour de carburant transparent.
2. Mettez le levier d'étrangleur en position fermée "☰". Lorsque le moteur est chaud, mettez le levier d'étrangleur en position ouverte "☱".
3. Mettez le commutateur "Stop" en position "ON".
4. Verrouillez la commande d'accélérateur dans la de démarrage de ralenti accéléré.



position



Avant de démarrer le moteur, posez l'appareil au sol et recherchez d'éventuelles branches ou cailloux sur la lame.

5. Saisissez la poignée du démarreur et tirez doucement la corde vers vous jusqu'à sentir une résistance, puis tirez la corde rapidement et énergiquement. Tirez la poignée du démarreur jusqu'à ce que le moteur commence à tourner. Une fois le moteur démarré, mettez le levier d'étrangleur en position ouverte, puis tirez et relâchez la commande d'accélérateur pour retourner en position de ralenti.
6. Une fois le moteur démarré, laissez le moteur tourner pendant quelques minutes avant de l'utiliser.

REMARQUE:

1. N'étirez pas la corde du démarreur entièrement.
2. Relâchez la corde du démarreur progressivement lorsqu'elle est entièrement étendue.

Pour arrêter le moteur:

1. Relâchez la commande d'accélérateur.
2. Réglez le commutateur "Stop" en position "STOP".

RÉGLAGE DU CARBURATEUR

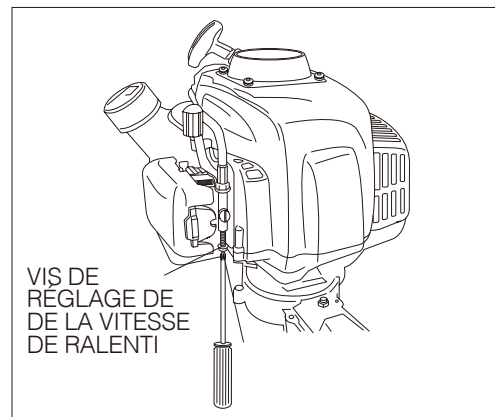
Ce taille-haie est équipé d'un carburateur à mélange de carburant non réglable. L'utilisateur ne pourra régler que la vitesse de ralenti du moteur.

Les lames peuvent être en mouvement lors du réglage de la vitesse de ralenti. Nous vous recommandons de vous pourvoir d'un équipement de sécurité et de suivre toutes les consignes de sécurité.

Maintenez éloignés vos mains et votre corps de la lame.

Vitesse de ralenti du moteur:

Lorsque la commande d'accélérateur est déverrouillée, le moteur devrait retourner à une vitesse de ralenti comprise entre 2700-3300 r/min ou juste en dessous de la vitesse de l'embrayage. Les lames doivent être immobiles et le moteur ne doit pas caler (arrêter de tourner) à la vitesse de ralenti du moteur.



Pour ajuster la vitesse de ralenti, tournez la vis de réglage de ralenti situé sur le carburateur. Tournez la vis dans le sens horaire pour augmenter la vitesse de ralenti du moteur, et dans le sens contraire pour la diminuer.

Si vous venez de régler la vitesse de ralenti et qu'après le réglage, les lames bougent ou le moteur cale, **arrêtez immédiatement d'utiliser le taille-haie!**

Contactez votre centre de services Maruyama agréé pour de l'aide et réparation.



UTILISATION DU TAILLE-HAIE



PRÉCAUTION : Lisez la section AVERTISSEMENT à la page (32) concernant l'utilisation appropriée du taille-haie.

Le taille-haie MARUYAMA est conçu pour couper et tailler des branches jusqu'à un diamètre de 6 mm (1/4 pouces). Bien que le taille-haie MARUYAMA soit capable de couper des branches de plus grand diamètre, l'usure de l'appareil se verrait augmentée en proportion.



PRÉCAUTION : Portez toujours des gants et des vêtements de sécurité lorsque vous utilisez le taille-haie.

Si les lames venaient à se coincer, arrêtez immédiatement le moteur. Assurez-vous que toutes les pièces en rotation sont immobiles, puis déconnectez la bougie avant de rechercher une éventuelle panne de l'appareil. N'utilisez jamais un taille-haie ayant une lame ébréchée, fissurée, ou cassée.

MAINTENANCE RÉGULIÈRE

Toute personne ou établissement de réparations peut effectuer les opérations de maintenance, de remplacement ou de réparation des systèmes et dispositifs de contrôle d'émissions ; toutefois, les réparations sous garantie doivent être réalisées par un distributeur ou centre de services agréé par Maruyama Manufacturing Company, Inc. L'utilisation de pièces non homologuées peut compromettre l'efficacité du système de contrôle des émissions en termes de performance et de durabilité et réduire vos droits de garantie.

FILTRE À AIR

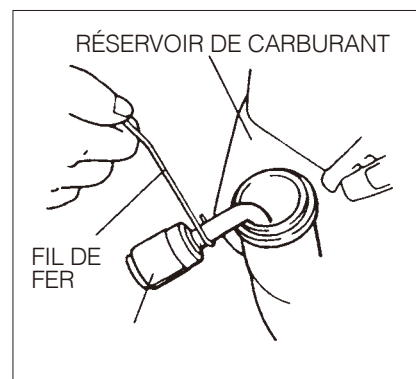
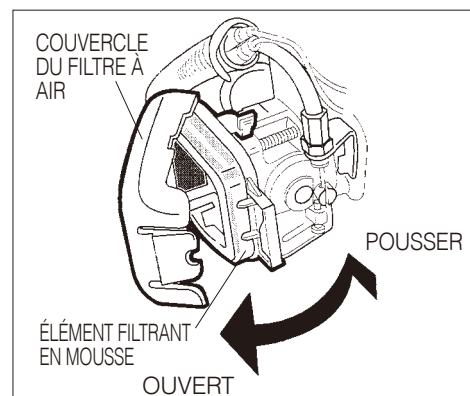
Intervalle de maintenance: Le filtre à air doit être nettoyé quotidiennement, ou plus fréquemment si vous travaillez dans des conditions très poussiéreuses, et remplacé toutes les 100 heures de fonctionnement.

Maintenance: Appuyez et ouvrez le couvercle du filtre à air. Retirez l'élément filtrant en mousse. Nettoyez le filtre à l'eau savonneuse chaude. Laissez le filtre sécher complètement. Appliquez une fine couche d'huile moteur SAE 30 sur l'élément filtrant en mousse et essorez l'excédent d'huile. Réinstallez le filtre, puis le couvercle du filtre.

FILTRE À CARBURANT

Intervalle de maintenance: Changez le filtre à carburant toutes les 100 heures de fonctionnement.

Maintenance: Le filtre à carburant est fixé à l'extrémité du tuyau d'arrivée de carburant à l'intérieur du réservoir. Pour remplacer le filtre à carburant, le réservoir à carburant doit être vide. Retirez le bouchon du réservoir de carburant. Au moyen d'un crochet en fil de fer, retirez délicatement le filtre à carburant à partir de l'orifice de remplissage du carburant. Saisissez le tuyau de carburant situé près de la pièce de fixation du filtre à carburant, puis

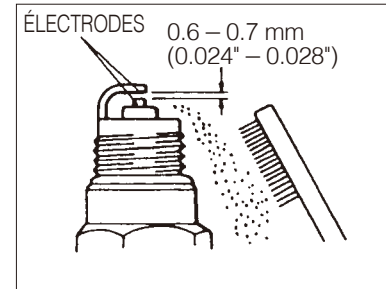


retirez le filtre **mais sans lâcher le tuyau**. Tout en saisissant le tuyau de carburant, introduisez le nouveau filtre à carburant. Laissez tomber le filtre dans le réservoir à carburant. Avant le remplissage en essence, assurez-vous que le filtre n'est pas coincé dans un coin du réservoir, et que le tuyau de carburant n'est pas plié (tordu).

BOUGIE

Intervalle de maintenance: La bougie doit être retirée du moteur, puis révisée toutes les 25 heures de fonctionnement et remplacée toutes les 100 heures de fonctionnement.

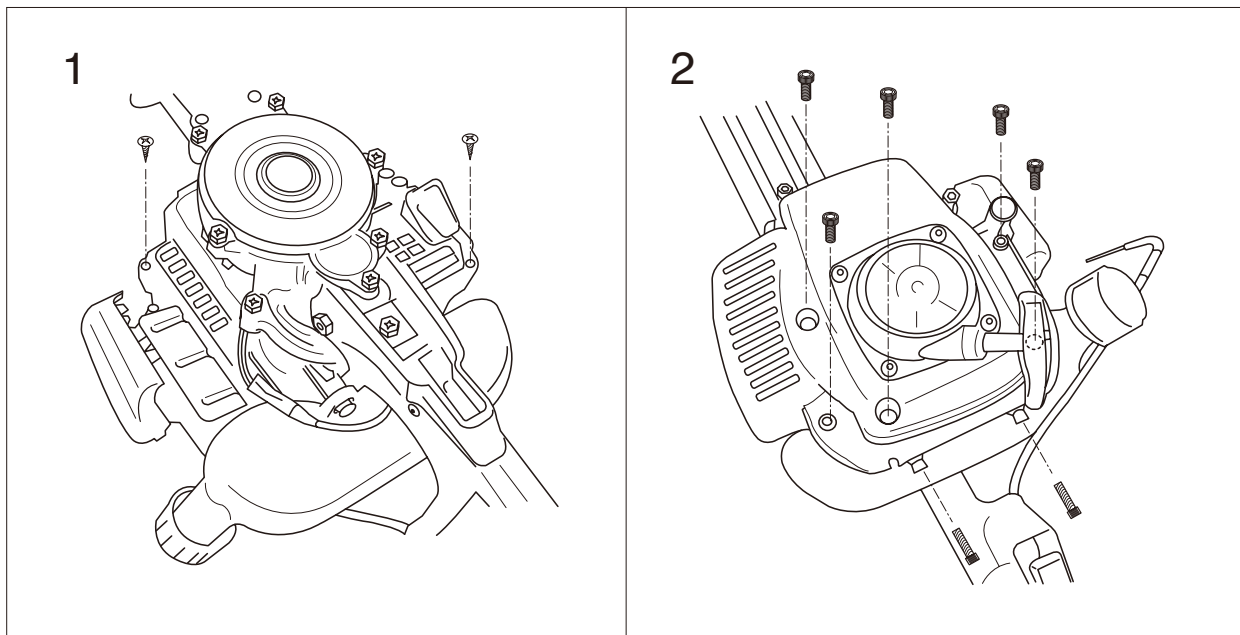
Maintenance: Une fois le moteur à température ambiante, faites bouger, d'un côté à l'autre et plusieurs fois, le protecteur de plomb à haute tension de la bougie pour le relâcher et ensuite l'enlever. Retirez la bougie. Nettoyez les électrodes avec une brosse dure. Ajustez l'écartement des électrodes à 0,6–0,7 mm (0,024–0,028 pouces). Remplacez la bougie si elle est noyée, endommagée ou si les électrodes sont usées. **Lorsque vous réinstallez la bougie, ne la serrez pas excessivement.** Le couple de serrage est 10,7–16,6 Nm (95–148 pouces lbs.). Réinstallez les couvercles du cylindre et du silencieux.

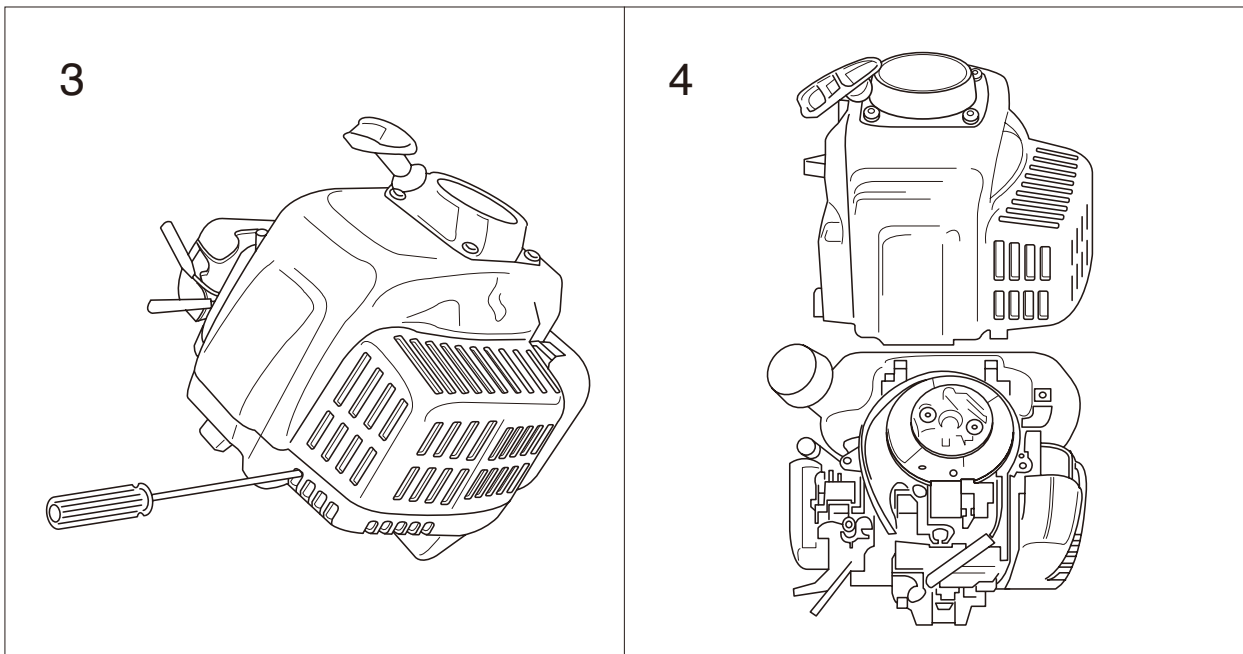


AILETTES DE REFROIDISSEMENT DU CYLINDRE

Intervalle de maintenance: Les ailettes de refroidissement du cylindre doivent être nettoyées toutes les 25 heures de fonctionnement, ou une fois à la semaine. L'air doit circuler librement autour et à travers les ailettes de refroidissement du cylindre pour prévenir toute surchauffe du moteur. L'accumulation de résidus, de saletés, de l'herbe et de feuilles dans les ailettes augmentera sa température, réduira ses performances et écourtera sa vie utile.

Maintenance: Avec le moteur à température ambiante, retirez les deux vis taraudeuses (FIG.1). Retirez les quatre vis à tête creuse de la platine, puis retirez la plaque. Retirez les trois vis à tête creuse (FIG.2). Poussez le cliquet, et tirez le garde-ventilateur (FIG. 3, 4). Nettoyez les saletés et les résidus des ailettes de refroidissement et autour de la base du cylindre. Réinstallez le garde-ventilateur et la plaque.

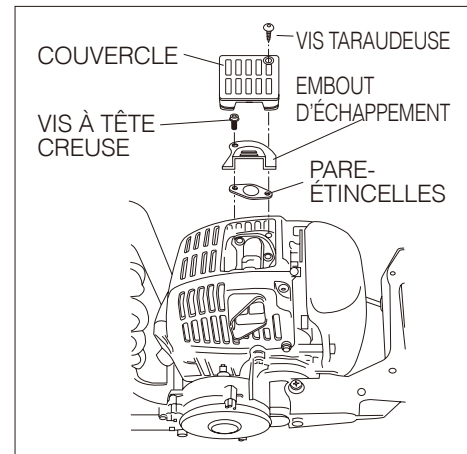




PARE-ÉTINCELLES

Intervalle de maintenance: Le pare-étincelles doit être révisé et nettoyé toutes les 25 heures de fonctionnement. Remplacez le tamis s'il n'est pas possible de le nettoyer entièrement, ou s'il est endommagé.

Maintenance: Avec le moteur à température ambiante, retirez la vis taraudeuse, puis le couvercle. Retirez les deux vis à tête creuse fixant l'embout d'échappement et le pare-étincelles au silencieux. Retirez et nettoyez l'embout d'échappement, le joint d'étanchéité et le pare-étincelles avec un solvant de sécurité et une brosse dure. Si vous n'arrivez pas à nettoyer complètement une pièce, vous devez la remplacer. Réinstallez le pare-étincelles et l'embout d'échappement sur le silencieux, puis remettez les deux vis à tête creuse en place et vissez-les. Réinstallez le couvercle.



SILENCIEUX

Intervalle de maintenance: Le silencieux doit être révisé et nettoyé toutes les 100 heures d'utilisation.

Maintenance: Retirez le couvercle du moteur (reportez-vous à la section "Ailettes de refroidissement du cylindre"). Retirez le pare-étincelles (consultez la section «maintenance du pare-étincelles»). Nettoyez le silencieux avec une brosse dure. Réinstallez le pare-étincelles et l'embout d'échappement sur le silencieux, puis remettez les deux vis à tête creuse en place et vissez-les. Réinstallez le garde-ventilateur et serrez les trois vis à tête creuse. Placez le cliquet, et réinstallez le couvercle du cylindre, puis serrez les deux vis à tête creuse et les deux vis taraudeuses. Réinstallez la plaque et serrez les quatre vis à tête creuse.

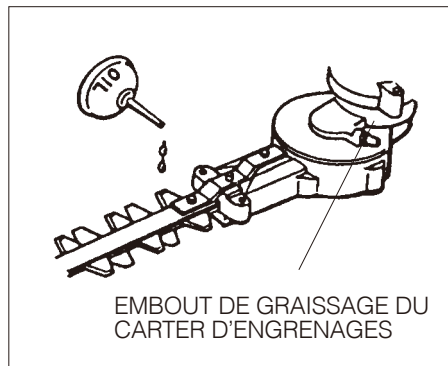
IMPORTANT : N'utilisez pas de solvant pour nettoyer l'intérieur du silencieux afin de ne pas endommager le pot catalytique. Pour éviter d'endommager le moteur, faites attention à ne

pas faire tomber de saletés ou de résidus dans l'orifice d'échappement.

GRAISSAGE : CARTER D'ENGRENAGES ET LAMES

Le carter d'engrenages a une mèche en feutre située à l'ouverture de la lame. Au fur et à mesure que le taille-haie est utilisé, la graisse du carter d'engrenages devient très molle. Les lames à va-et-vient extraient constamment de petites quantités de graisse entre les surfaces de contact de la lame pour qu'il y ait un graissage additionnel. Si le carter d'engrenages n'est pas graissé dans les intervalles recommandés, il tombera en panne par défaut de graissage.

Les pannes de carter d'engrenages dues à une maintenance inappropriée ne sont pas couvertes par la garantie de Maruyama.



Le carter d'engrenages et les lames doivent être lubrifiés toutes les 10 heures d'utilisation.

REMARQUE: Si vous utilisez le taille-haie dans des conditions difficiles telles qu'à des températures ambiantes élevées (supérieures à 75°F) ou pendant de longues périodes continues de fonctionnement, le carter d'engrenages et les lames devront être lubrifiées toutes les 2 heures. Lubrifiez le carter d'engrenages par l'embout de graissage au moyen d'une graisse à base de lithium n° 2 de bonne qualité. Lubrifiez les lames en utilisant une huile légère (#10 wt.).

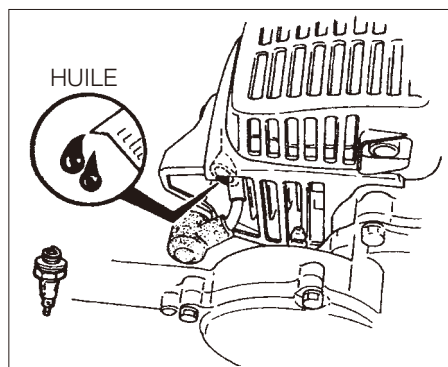
NETTOYAGE ET SERRAGE GÉNÉRAUX

En cas de maintenance appropriée, le taille-haie MARUYAMA vous offrira des performances maximales pendant de nombreuses heures. Réviser fréquemment l'état des pièces de fixation et veillez à maintenir l'appareil dans un bon état de propreté. Éliminez quotidiennement les dépôts des pas et des pièces en caoutchouc des lames. Le réglage de la tension des lames doit être régulièrement vérifié. Reportez-vous à la page (37) pour les instructions de réglage des lames.

ENTREPOSAGE

Pour le remisage du taille-haie, videz le réservoir à carburant dans un bidon approprié homologué pour entreposer l'essence. Pomper la poire d'amorçage du carburateur jusqu'à ce que le carburant soit visible dans la conduite de retour transparente. Allumez le moteur pour éliminer les restes de carburant à l'intérieur du carburateur.

Réalisez toutes les procédures de maintenance régulière et toute autre réparation nécessaire. Retirez la bougie et répandez une petite quantité d'huile dans le cylindre. Tirez la poignée du démarreur une fois.



PRÉCAUTION: En tirant la corde du démarreur, l'huile peut se projeter à partir de l'orifice de la bougie. Utilisez des lunettes de sécurité et maintenez votre visage éloigné de l'orifice de la bougie. Tirez lentement la corde du démarreur pour faire monter le piston jusqu'à la partie supérieure du cylindre (TDC). Réinstallez la bougie. Graissez généreusement les lames avec une huile légère (#10 wt.). Gardez le taille-haie dans un lieu sec à l'abri de toute source de chaleur excessive, d'étincelles ou de flammes nues.

Période de maintenance

Maintenance	Chaque jour	Chaque 20 heures	Chaque 50 heures	Chaque 100 heures
Réviser et mettre du carburant	●			
Rechercher les fuites de carburant	●			
Réviser que les boulons, écrous et vis sont fermement fixés et qu'il n'en manque pas	●			
Visser boulons et écrous			●	
■ Nettoyer l'élément du filtre à air		●		
Nettoyer la bougie et ajuster l'écartement des électrodes			●	
■ Nettoyer la poussière et les saletés des ailettes du cylindre			●	
● Retirer les dépôts de carbone de l'orifice d'échappement			●	
● Nettoyer le pare-étincelles			●	
Changer le filtre à carburant				●
● Éliminer les dépôts de carbone sur la tête du piston et de la chambre de combustion				●
● Éliminer les dépôts de carbone des canaux de transfert				●
Changer le tuyau de carburant, le joint du bouchon du réservoir à carburant	Il est recommandé de les remplacer tous les 3 ans			

● : Ce service doit être fourni par un distributeur Maruyama agréé.

■ : Maintenance plus fréquente dans des conditions poussiéreuses.

REMARQUE:

Les intervalles de maintenance indiqués doivent être utilisés en tant que guide.

La maintenance peut être réalisée plus fréquemment en fonction des conditions d'utilisation.

Utilisez une huile pour moteurs deux temps 50:1 Maruyama standard.



Declaración de garantía limitada

Se garantiza al comprador inicial que todos los productos comerciales e industriales de Maruyama están libres de defectos de fabricación y en materiales **a partir de la fecha de compra** durante el período de tiempo siguiente:

Durante toda la vida para el eje motor interno de los cortasetos y desbrozadoras y para todos los módulos de encendido.

3 años para uso residencial, doméstico, no retribuido.

1 año para uso industrial, comercial, público, de alquiler y retribuido.

Los motores Maruyama de la serie AE y Kawasaki TEX45/TEX54 están cubiertos exclusivamente durante un año más para el uso industrial, comercial, público, de alquiler y retribuido (un total de 2 años).

Para todos los demás motores, consulte la declaración de garantía del fabricante del motor.

Cualquier pieza de un producto Maruyama que resulte ser defectuosa dentro del período de garantía aplicable será reparada o sustituida sin coste alguno, a elección de Maruyama. La valoración de la garantía se consigue entregando cualquier producto Maruyama que se crea defectuoso al Servicio técnico de un distribuidor autorizado de Maruyama dentro del período de garantía aplicable.

No se cobrará al comprador por la tarea de diagnóstico que determine que una pieza en garantía es defectuosa, si se realiza en un centro de distribución de Maruyama.

Cualquier pieza en garantía cuyo cambio no esté programado como mantenimiento necesario, o que esté programada sólo para revisión ordinaria con vistas a su "reparación o cambio según sea necesario" estará cubierta durante el período de garantía. Cualquier pieza en garantía, cuyo cambio esté programado dentro del mantenimiento necesario, estará cubierta hasta el primer cambio programado que le corresponda. Maruyama Mfg Co., Inc. es responsable de los daños ocasionados a otros componentes del motor por el fallo de una pieza que aún esté en garantía.

El comprador es responsable de realizar las tareas de mantenimiento necesarias tal y cómo se definen en el manual del propietario/ operario de Maruyama Mfg Co., Inc.

GARANTÍA DE PIEZAS RELACIONADAS CON LAS EMISIONES: Además de la cobertura de la garantía mencionada, Maruyama Mfg Co., Inc. reparará o cambiará, gratuitamente, para el comprador inicial y cada comprador posterior, cualquier pieza relacionada con las emisiones con defectos de fabricación y en los materiales durante dos (2) años a partir de la fecha de entrega del minorista inicial, **salvo el conversor catalítico. El conversor catalítico está cubierto por la garantía durante un año a partir de la fecha de entrega del minorista inicial. Las piezas relacionadas con las emisiones son el carburador, la bobina de encendido, el rotor de encendido y la bujía, y el conversor catalítico.** Puede utilizarse cualquier pieza de repuesto equivalente en rendimiento y durabilidad en el mantenimiento o reparaciones no cubiertas por la garantía, y no reducirá las obligaciones de Maruyama Mfg. Co., Inc. derivadas de la garantía.

Se hace efectivo el 1 de junio de 2000

Esta garantía no cubre:

1. Elementos de mantenimiento (excluidos los defectos en materiales y fabricación) que incluyen tubos flexibles, bujías, cuerda del arrancador, filtros de aire y de combustible, zapatas del embrague, aislantes, cables del acelerador y todos los accesorios de corte, etc.
2. Gastos adicionales que incluyen el envío y gestión, traslado, pago por el tiempo perdido o por cualquier problema y almacenamiento.
3. Alteraciones o modificaciones que incluyen piezas de repuesto no originales, no homologadas por Maruyama U.S., Inc.
4. Desgaste, accidente, uso indebido, negligencia; combustibles, lubricantes, mezclas de combustible (cuando sea aplicable) incorrectos o el uso o mantenimiento del producto contrarios a las instrucciones aprobadas por Maruyama.

La reparación o cambio según lo estipulado en la presente garantía es la única solución del usuario. Maruyama no se hará responsable de ningún daño fortuito o consecuencial del incumplimiento de cualquier garantía expresa o implícita de estos productos salvo hasta el límite estipulado por la legislación aplicable. Cualquier garantía implícita de comerciabilidad o idoneidad para un fin particular de estos productos se restringe al período de garantía tal y cómo se define en la declaración de garantía limitada. Maruyama se reserva el derecho a modificar o mejorar el diseño del producto sin previo aviso y no asume ninguna obligación de actualizar los productos previamente fabricados.

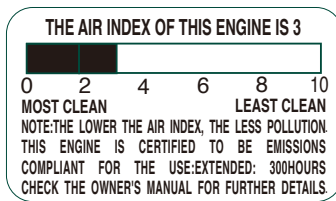
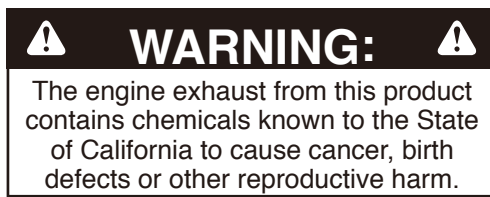
Esta garantía le ofrece derechos legales específicos, que pueden variar de un Estado a otro.

El propietario y el distribuidor se responsabilizarán de que la Tarjeta de registro de garantía sea correctamente cumplimentada y enviada a Maruyama U.S., Inc. Para obtener el servicio de garantía se solicitará una prueba de compra o registro.

Para encontrar al distribuidor autorizado de Maruyama más cercano, contacte con:

Maruyama U.S., Inc.
4770 Mercantile Drive, suite 100,
Fort Worth, TX 76137
(940) 383-7400
maruyama@maruyama-us.com
www.maruyama-us.com

Se hace efectivo el 1 de junio de 2000



CER230HT

DECLARACIÓN DE GARANTÍA DEL CONTROL FEDERAL DE EMISIONES. DERECHOS Y OBLIGACIONES DERIVADOS DE LA GARANTÍA

La Agencia para la protección ambiental de EE.UU. (EPA) y Maruyama Manufacturing Company, Inc. se complacen en explicar la **garantía del sistema de control de emisiones** de su pequeño motor no destinado a la automoción. Los nuevos modelos de motor pequeño de 1997 y posteriores, no destinados a la automoción, deben estar diseñados, fabricados y equipados, en el momento de venta, para cumplir las normas de la EPA de EE.UU. El motor debe estar libre de defectos en los materiales y de fabricación que provoquen el incumplimiento de las normas de la EPA durante los dos primeros años de uso del motor a partir de la fecha de venta inicial hasta el último comprador. Maruyama

Manufacturing Company, Inc. ha de garantizar el sistema de control de las emisiones en el pequeño motor durante el período anteriormente citado siempre y cuando no haya ningún uso indebido, negligencia o mantenimiento incorrecto del mismo.

Período de durabilidad de emisiones: 300 horas.

Su sistema de control de emisiones puede incluir piezas como el carburador o el sistema de inyección de combustible, el sistema de encendido y el convertidor catalítico. También puede incluir tubos flexibles, correas y conectores y otros sistemas relacionados con las emisiones.

Cuando exista una condición cubierta por la garantía, Maruyama Manufacturing Company, Inc. reparará gratuitamente el pequeño motor no destinado a la automoción, incluido el diagnóstico (si se realiza en un centro de distribución autorizado), piezas y mano de obra.

COBERTURA DE LA GARANTÍA DEL FABRICANTE:

Los modelos de motor pequeño de 1997 y posteriores, no destinados a la automoción, están garantizados durante dos años. Si cualquier pieza de su motor relacionada con las emisiones es defectuosa, Maruyama Manufacturing Company, Inc. la reparará o cambiará gratuitamente.

RESPONSABILIDADES DEL PROPIETARIO DERIVADAS DE LA GARANTÍA:

- (a) Como propietario del motor arriba mencionado, usted es responsable de realizar las tareas de mantenimiento necesarias enumeradas en el manual de propietario.
Maruyama Manufacturing Company, Inc. recomienda conservar todos los recibos del mantenimiento del motor, pero no puede negar la aplicación de la garantía sólo porque usted carezca de recibos o no asegure la ejecución de todas las tareas de mantenimiento programadas. Se permite el uso de cualquier pieza de repuesto o mantenimiento equivalente en prestación y durabilidad en el mantenimiento o reparaciones no cubiertas por la garantía, no reduciendo este hecho las obligaciones del fabricante del motor derivadas de la garantía.
- (b) Como propietario, debería saber, sin embargo, que Maruyama Manufacturing Company puede negarle la cobertura de la garantía si el motor o la pieza no funcionan por el uso indebido, negligencia, mantenimiento incorrecto o modificaciones no autorizadas.
- (c) Usted es responsable de llevar el motor a un centro de asistencia de Maruyama Manufacturing Company, Inc. tan pronto como exista un problema. Las reparaciones cubiertas por la garantía deberían completarse en un período de tiempo razonable, no superior a 30 días.

Si tiene preguntas relacionadas con los derechos y responsabilidades derivadas de la garantía, contacte con Maruyama U.S., Inc. en el número: 1-866-783-7400, o warranty@maruyama-us.com.

COBERTURA

Maruyama Manufacturing Company, Inc. garantiza al comprador último y a cada comprador posterior que el pequeño motor no destinado a la automoción estará diseñado, fabricado y equipado, en el momento de venta, para cumplir con toda la normativa aplicable. Maruyama Manufacturing Company, Inc. también garantiza al comprador inicial y a cada comprador posterior que el motor está libre de defectos de fabricación y en los materiales, que le impidan cumplir las normas aplicables durante un período de dos años.

La Agencia de protección ambiental (EPA) obliga a los fabricantes de este tipo de motores a cumplir la normativa durante dos años. Estos períodos de garantía se iniciarán en la fecha en que el comprador inicial adquiera el pequeño motor no destinado a la automoción. Si cualquier pieza del motor relacionada con las emisiones es defectuosa, Maruyama Manufacturing Company, Inc. la cambiará gratuitamente.

Maruyama Manufacturing Company, Inc. resolverá los defectos cubiertos por la garantía en cualquier centro de garantía o de distribución de motores de Maruyama Manufacturing Company, Inc. autorizado. Cualquier tarea autorizada realizada en un centro de garantía o de distribución autorizado será gratuita si determina que una pieza en garantía es defectuosa. Para cualquier tarea de mantenimiento o reparación de piezas relacionadas con las emisiones, cubierta por la garantía puede utilizarse cualquier pieza de repuesto homologada por el fabricante o equivalente, y debe realizarse gratuitamente si la pieza aún está en garantía. Maruyama Manufacturing Company, Inc. es responsable de los daños ocasionados a otros componentes del motor por el fallo de una pieza en garantía.

EPA estima que las piezas garantizadas relacionadas con las emisiones incluyen todas las que figuran a continuación. Piezas garantizadas: **el carburador, la bobina de encendido, el rotor de encendido, la bujía, el conversor catalítico y el depósito de combustible.**

MANTENIMIENTO NECESARIO

El propietario es responsable de realizar las tareas de mantenimiento necesarias tal y cómo se definen en el manual del propietario de Maruyama Manufacturing Company, Inc.

LIMITACIONES

Esta Garantía del sistema de control de emisiones no cubrirá lo siguiente:

- (a) ninguna reparación o cambio necesarios por el uso indebido o negligencia, falta de mantenimiento requerido, reparaciones incorrectamente realizadas o cambios que no cumplan las especificaciones de Maruyama Manufacturing Company, Inc. que repercutan adversamente en el rendimiento o durabilidad, y alteraciones o modificaciones no recomendadas o aprobadas por escrito por Maruyama Manufacturing Company, Inc., y
- (b) ningún cambio de piezas y otros servicios y ajustes necesarios para el mantenimiento requerido en y después del primer cambio programado.

DECLARACIÓN DE GARANTÍA DEL CONTROL DE EMISIONES DE CALIFORNIA. DERECHOS Y OBLIGACIONES DERIVADOS DE LA GARANTÍA

La Junta de Recursos del Aire de California (CARB), y Maruyama Manufacturing Company, Inc. se complacen en explicar la garantía del sistema de control de emisiones de su pequeño motor, modelo 2015, no destinado a la automoción. En California, los nuevos pequeños motores no destinados a la automoción deben estar diseñados, fabricados y equipados para cumplir con la estricta normativa anti humos del Estado. Maruyama Manufacturing Company, Inc. ha de garantizar el sistema de control de las emisiones en el pequeño motor durante el período anteriormente citado siempre y cuando no haya ningún uso indebido, negligencia o mantenimiento incorrecto del mismo.

Su sistema de control de emisiones puede incluir piezas como el carburador o el sistema de inyección de combustible, el sistema de encendido, depósito de combustible y el convertidor catalítico. También puede incluir tubos flexibles, correas y conectores y otros sistemas relacionados con las emisiones.

Cuando exista una condición cubierta por la garantía, Maruyama Manufacturing Company, Inc. reparará gratuitamente el pequeño motor no destinado a la automoción, incluido el diagnóstico, piezas y mano de obra.

COBERTURA DE LA GARANTÍA DEL FABRICANTE:

Los pequeños motores de 1995 y posteriores, no destinados a la automoción, están garantizados durante dos años. Si cualquier pieza de su motor relacionada con las emisiones es defectuosa, Maruyama Manufacturing Company, Inc. la reparará o cambiará gratuitamente.

RESPONSABILIDADES DEL PROPIETARIO DERIVADAS DE LA GARANTÍA:

- (a) Como propietario del motor arriba mencionado, usted es responsable de realizar las tareas de mantenimiento necesarias enumeradas en el manual de propietario.
Maruyama Manufacturing Company, Inc. recomienda conservar todos los recibos del mantenimiento del motor, pero no puede negar la aplicación de la garantía sólo porque usted carezca de recibos o no asegure la ejecución de todas las tareas de mantenimiento programadas.
- (b) Como propietario, debería saber, sin embargo, que Maruyama Manufacturing Company puede negarle la cobertura de la garantía si el motor o la pieza no funcionan por el uso indebido, negligencia, mantenimiento incorrecto o modificaciones no autorizadas.
- (c) Usted es responsable de llevar el motor a un centro de asistencia de Maruyama Manufacturing Company, Inc. tan pronto como exista un problema. Las reparaciones cubiertas por la garantía deberían completarse en un período de tiempo razonable, no superior a 30 días.

Si tiene preguntas relacionadas con los derechos y responsabilidades derivadas de la garantía, contacte con Maruyama U.S., Inc. en el número: 1-866-783-7400, o warranty@maruyama-us.com.

Piezas del sistema de emisiones

Emisión de escape

Carburador

Silenciador

Conversor catalítico

Bobina de encendido/ Magneto

Bujía

Filtro de aire

Válvula EGR (pistón)

Filtro de combustible

Emisión de evaporación

Depósito de combustible

Este manual se ha elaborado para que el usuario se familiarice con las diferentes funciones y componentes del equipo y para ayudarle con el funcionamiento y mantenimiento de su nuevo cortasetos.

Antes de utilizar el cortasetos, es esencial leer y entender el contenido de este manual.

Las instrucciones de seguridad importantes se identificarán con el siguiente símbolo de seguridad:



El incumplimiento de las instrucciones de este manual puede ocasionar lesiones graves o incluso la muerte.

Para asistencia adicional, contacte con el distribuidor local autorizado de Maruyama o con Maruyama U.S., Inc., 4770 Mercantile Drive, suite100, Fort Worth, TX 76137

Índice

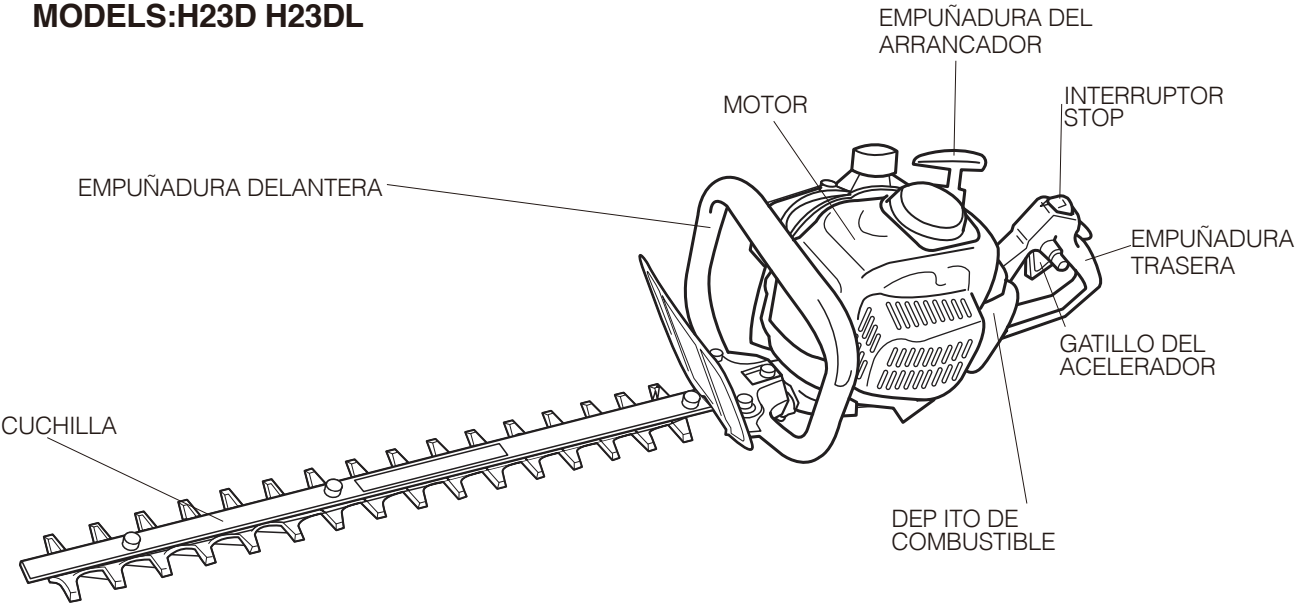
Garantía	45	Procedimiento de arranque y de parada ...	60
Preámbulo	52	Ajuste del carburador	61
Especificaciones	52	Cómo utilizar el cortasetos	62
Descripción del producto.....	53	Mantenimiento rutinario	62
Advertencia	54	Almacenamiento	65
Primeros pasos.....	57	Período de mantenimiento	66

Especificaciones

Modelo	H23D	H23DL
Dimensiones Largo x Ancho x Alto	1030 × 245 × 220 mm (40.5 × 9.6 × 8.7in)	1060 × 245 × 220 mm (41.7 × 9.6 × 8.7in)
Peso en seco	5.7kg(12.5lbs.)	6.0kg(13.2lbs.)
Longitud de la cuchilla	24in	30in
Empuñadura trasera	Giratoria	
Modelo de motor	CER230HT	
Cilindrada	22.5 cm ³	
Capacidad del depósito de combustibl	0.5 ℓ (0.53 qts.)	
Carburador	Tipo diafragma (Walbro)	
Sistema de encendido	Estado sólido	
Bujía: Marca Tipo Separación entre los electrodos	NGK BPM8Y 0.6 ~ 0.7 mm (0.024 ~ 0.028 in.)	
Mezcla de combustible:	50:1 Uso de aceite para motor de dos tiempos (50:1) de Maruyama o cualquier aceite de calidad para motor de dos tiempos, diseñado para motores de dos tiempos enfriados por aire y de alto rendimiento.	

DESCRIPCIÓN DEL PRODUCTO

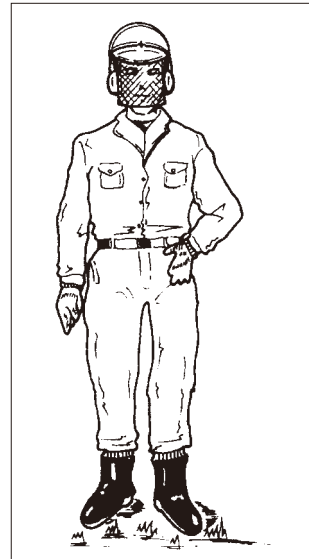
MODELS:H23D H23DL



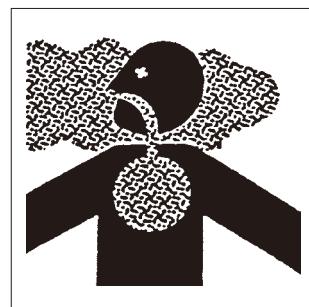
⚠️ ADVERTENCIA ⚠️

Seguridad del usuario

1. Antes de utilizar este producto, lea atentamente este Manual de usuario/ propietario. Familiarícese con el uso correcto de este producto.
2. Utilice siempre protección ocular que cumpla con la norma Z87-1 del Instituto de Estándares Nacionales Americano (ANSI).
3. Emplee protección auditiva.
4. Lleve siempre pantalones largos pesados, botas y guantes. No vista ropa holgada, no lleve joyas, pantalones cortos, sandalias ni vaya descalzo. Recójase el pelo por encima de los hombros.



5. Nunca utilice el cortasetos cuando esté cansado, enfermo, bajo los efectos del alcohol, drogas o medicación.
6. Nunca arranque ni utilice el motor dentro de un edificio o espacio cerrado.
Respirar los gases de escape puede provocar la muerte.



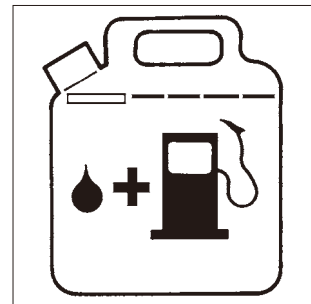
7. Mantenga las empuñaduras libres de aceite, combustible y suciedad.

Seguridad del cortasetos

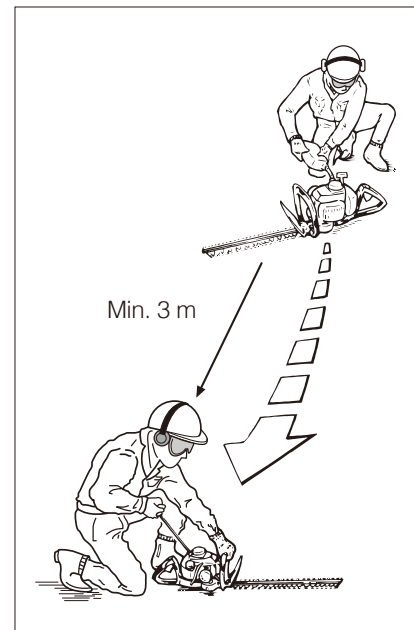
1. Pare el motor y espere a que las cuchillas se hayan detenido por completo antes de revisar, realizar tareas de mantenimiento o trabajar en el cortasetos.
2. Revise el cortasetos antes de cada uso. Cambie las piezas dañadas. Compruebe si hay fugas de combustible Asegúrese de que todas las fijaciones estén en su lugar y bien apretadas.
3. Revise las cuchillas de corte y la guía del cortasetos. Cambie cualquier pieza que esté agrietada, resquebrajada o dañada antes de utilizar el cortasetos.
4. Nunca emplee piezas de repuesto no homologadas por Maruyama U.S., Inc.
5. Realice el mantenimiento del Cortasetos conforme a los intervalos y procedimientos recomendados en la sección de mantenimiento (páginas 62 a 65).
6. Si registra problemas de funcionamiento o vibración excesiva, pare inmediatamente e inspeccione la unidad para averiguar cuál es la causa. Si no puede determinarla o no es capaz de arreglarla, devuelva el cortasetos al distribuidor para que lo repare.
7. Nunca utilice el cortasetos si las empuñaduras están dañadas o las fijaciones flojas. Compruebe siempre que todas las fijaciones (tuercas y pernos) estén instaladas y correctamente apretadas.
8. Jamás utilice una máquina que haya sido modificada de forma que ya no se corresponda con el diseño original.
9. No intente reparar el cortasetos salvo que esté cualificado para ello.
10. Cuando transporte o almacene el cortasetos, instale siempre el protector de la cuchilla.

Seguridad del combustible

1. La gasolina es muy inflamable y debe manipularse y almacenarse con cuidado. Utilice un contenedor homologado para almacenar gasolina o la mezcla de combustible y aceite.
2. Realice la mezcla y vierta el combustible al aire libre, donde no haya chispas ni llamas.
3. No fume en las proximidades del combustible o del cortasetos, ni cuando lo utilice.
4. No llene el depósito de combustible en exceso. Pare de llenarlo a 6 -13mm. del borde.
5. Antes de arrancar el motor, limpie el combustible derramado.



6. Antes de arrancar el motor, aleje el cortasetos 3 m. como mínimo, del lugar en donde carga el combustible.
7. No quite el tapón del depósito de combustible del cortasetos mientras el motor esté funcionando o justo después de haberlo parado.
8. Antes de volver a llenar el depósito, deje que se enfríe el motor.
9. Vacíe el depósito de combustible antes de guardar el cortasetos. Debe vaciarse después de cada uso. El combustible que queda en el depósito podría verterse mientras está guardado.
10. Guarde el combustible y el cortasetos alejados de llamas abiertas, chispas o calor excesivo. Asegúrese de que los vapores del combustible no alcancen las chispas o llamas abiertas de calentadores de agua, hornos, motores eléctricos, etc.



Seguridad del funcionamiento del cortasetos

1. ESTE CORTASETOS PUEDE OCASIONAR LESIONES GRAVES.
Lea las instrucciones atentamente. Familiarícese con todos los controles y el uso correcto del cortasetos.
2. Jamás permita que los niños utilicen el cortasetos. No es un juguete.
3. Mantenga la zona de trabajo libre de personas, en particular niños pequeños y animales.
4. Las cuchillas del cortasetos están extremadamente afiladas. No ponga las manos o los pies cerca o debajo de las piezas en movimiento. Mantenga el cuerpo alejado en todo momento.
5. Use el cortasetos sólo con luz diurna o con luz artificial adecuada.
6. Inspeccione la zona de trabajo antes de comenzar. Retire cuerdas, sogas o materiales similares que pueden enredarse en las cuchillas del cortasetos.
7. Evite los peligros ocultos. Compruebe si hay objetos ocultos en la zona de trabajo, como alambrado sencillo, cables, alambres, líneas telefónicas y eléctricas.
8. Nunca lo utilice sin las protecciones apropiadas o sin otros dispositivos de seguridad instalados.
9. Mantenga un apoyo estable y equilibrado. No adopte una postura forzada. No utilice el cortasetos cuando esté subido a una escalera o a un soporte similar.
10. Utilice la herramienta adecuada a la tarea. No utilice el cortasetos para tareas no recomendadas por el fabricante.

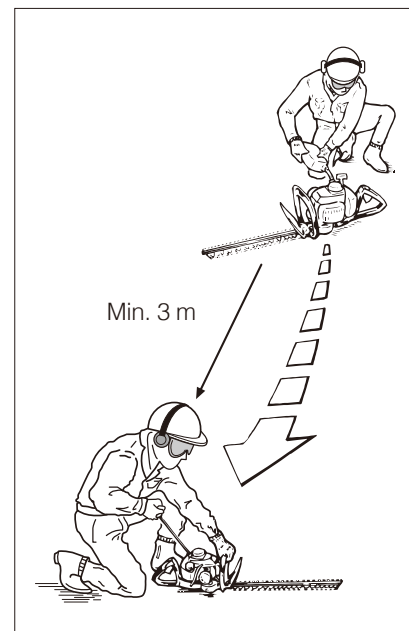
11. Cuando utilice el cortasetos, mantenga siempre una posición de trabajo segura. No adopte una postura forzada.
12. Para reducir el riesgo de incendio, mantenga el motor y el silenciador libre de residuos, hojas y materiales secos. Antes de arrancar, limpie siempre el combustible derramado y el exceso de lubricante.
13. Utilice siempre el cortasetos con ambas manos.
14. Sea consciente de su entorno y manténgase alerta ante posibles peligros que pueda no oír debido al ruido de la máquina.
15. Sepa cómo parar la máquina rápidamente en caso de emergencia. (Para parar el motor, consulte el apartado “PROCEDIMIENTO DE ARRANQUE Y PARADA”).

PRIMEROS PASOS

CÓMO CARGAR EL COMBUSTIBLE

ADVERTENCIA! Las precauciones siguientes reducirán el riesgo de incendio.

1. No fume cerca del combustible.
2. Realice la mezcla y vierta el combustible al aire libre, donde no haya chispas ni llamas.
3. Antes de cargar el combustible, apague el motor. Jamás quite el tapón del depósito de combustible del cortasetos mientras el motor esté funcionando o justo después de haberlo parado.
4. Abra siempre la tapa del depósito lentamente para liberar cualquier presión que pueda existir en el interior.
5. No llene el depósito de combustible en exceso. Pare de llenarlo a 6 -13mm. del borde.
6. Apriete la tapa del depósito con cuidado y firmeza después de llenarlo.
7. Antes de arrancar el motor, limpie el combustible derramado.
8. Antes de arrancar el motor, aleje el cortasetos 3m. como mínimo, del recipiente y del lugar en donde carga el combustible.



COMBUSTIBLE: CÓMO REALIZAR LA MEZCLA DE GASOLINA Y ACEITE

IMPORTANTE: El motor de este cortasetos es de dos tiempos. Las piezas móviles internas del motor, i.e., cojinetes del cigüeñal, ojos del pie de biela y las superficies de contacto del pistón con la pared del cilindro, necesitan lubricarse con aceite mezclado con gasolina. Si no se añade aceite a la gasolina o si la mezcla no se hace con la proporción adecuada, se ocasionará un importante daño al motor y anulará la garantía. Para la premezcla de combustible, utilice la mezcla de aceite para motores de dos tiempos súper de Maruyama, o el aceite equivalente ISO-LEGD y JASO FC con gasolina de alta calidad con 89 octanos como mínimo. El aceite Maruyama de dos tiempos está especialmente formulado para cubrir las necesidades de motores de dos tiempos, enfriados por aire, de bajas emisiones y de alto rendimiento. Si utiliza otros aceites puede conducir a problemas de mantenimiento que pueden no estar cubiertos por su garantía.

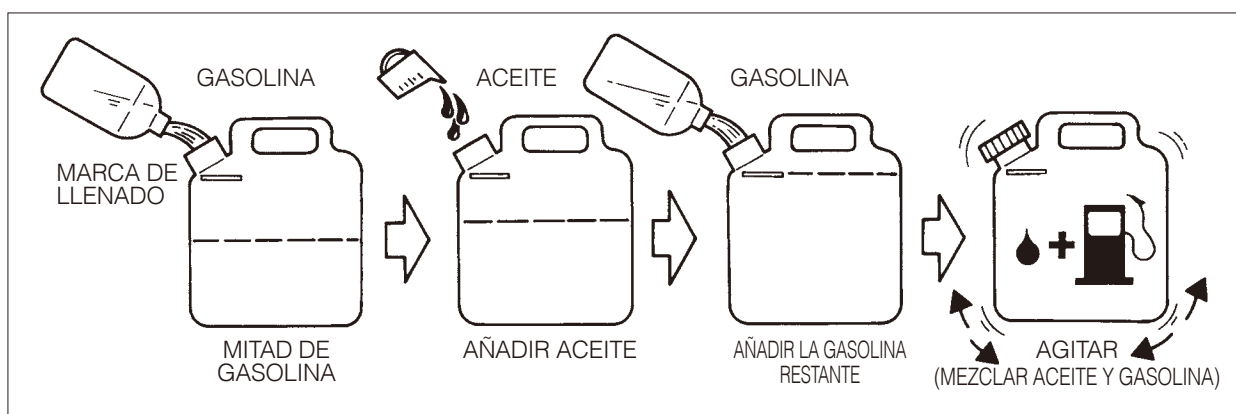
MEZCLA DE COMBUSTIBLE: Cuando utilice un aceite Maruyama original (50:1) de dos tiempos, o un aceite de calidad formulado para motores de dos tiempos enfriados por aire, la proporción de aceite es 50 partes de gasolina y 1 de aceite o 50:1.

PRECAUCIÓN Si no emplea aceite de Maruyama, nunca utilice una proporción de mezcla inferior a 50:1 independientemente de las instrucciones de mezcla del envase de aceite. Las proporciones inferiores a 50:1, (por ejemplo, 60:1, 80:1, 100:1), reducen la cantidad de lubricación en las piezas internas del motor en movimiento y pueden ocasionar daños.

TABLA DE MEZCLA DE COMBUSTIBLE:

Gasolina	Aceite Maruyama de dos tiempos 50:1	Gasolina	Aceite Maruyama de dos tiempos 50:1
1 galón	2,6 oz.	1 litro	20ml
2 1/2 galones	6,4 oz.	2 litro	40ml
5 galones	12,8 oz.	5 litro	100ml

INSTRUCCIONES PARA ELABORAR LA MEZCLA: Mezcle siempre el combustible y el aceite en un recipiente limpio, homologado para gasolina. Marque el recipiente para identificarlo como mezcla de combustible destinada al cortasetos. Utilice gasolina normal sin plomo y llene el recipiente con la mitad de la cantidad necesaria de gasolina. Vierta la cantidad adecuada de aceite y a continuación añada la cantidad restante de gasolina. Cierre el recipiente apretándolo con fuerza y agítelo un momento para mezclar uniformemente el aceite y la gasolina, antes de llenar el depósito de combustible del cortasetos.



Cuando vuelva a llenar el depósito, limpie en torno a la tapa para evitar que se introduzca suciedad y residuos en el depósito al quitarla. Agite siempre un poco el recipiente de premezcla de combustible, antes de llenar el depósito.

Utilice siempre un surtidor o un embudo para no derramar combustible. Llene el depósito hasta 6-13mm. del borde. Evite llenarlo hasta la parte superior del orificio de llenado.

NOTA:

1. Nunca mezcle gasolina y aceite directamente en el depósito de combustible del cortasetos.

PRECAUCIÓN!

1. No utilice aceites homologados por la Asociación nacional de fabricantes marinos (NMMA) o BIA. Este tipo de aceite no tiene los aditivos adecuados para motores de dos tiempos enfriados por aire y puede ocasionar daños al motor.
2. No utilice aceite de automoción. Este tipo de aceite no tiene los aditivos adecuados para motores de dos tiempos enfriados por aire y puede ocasionar daños al motor.

CÓMO AJUSTAR LAS CUCHILLAS DE CORTE



PRECAUCIÓN: NO TOQUE LOS BORDES AFILADOS DE LAS CUCHILLAS. LAS CUCHILLAS ESTÁN EXTREMADAMENTE AFILADAS Y SON PELIGROSAS EN TODO MOMENTO. EMPLEE SIEMPRE GANTES PARA NO LESIONARSE MANOS Y DEDOS.

Antes de utilizar el cortasetos, es necesario revisar el ajuste de las cuchillas. Las cuchillas que están demasiado flojas pueden vibrar, y no ofrecerán un corte limpio y uniforme.

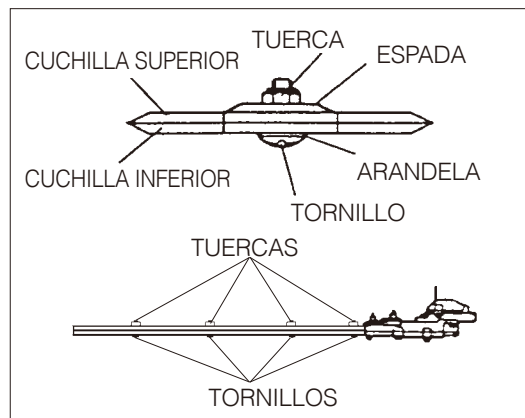


PRECAUCIÓN: LAS CUCHILLAS DEMASIADO APRETADAS PUEDEN PROVOCAR UNA SOBRECARGA QUE PUEDE DAÑAR EL EQUIPO.

Para ajustar las cuchillas, consulte las ilustraciones y coloque los tornillos.

Afloje las tuercas.

Gire los tornillos con cuidado hasta ajustarlos, a continuación déles una vuelta de un cuarto a la mitad. Apriete las tuercas, mientras sujeta los tornillos en su lugar. Recubra abundantemente las cuchillas con una capa de aceite ligero. Arranque el motor y utilice el cortasetos a máxima velocidad durante al menos un minuto. Detenga el motor, y cuando las cuchillas estén paradas, tóquelas con la mano. Las cuchillas deberían estar calientes, pero si lo están demasiado, afloje los tornillos 1/8 de vuelta.



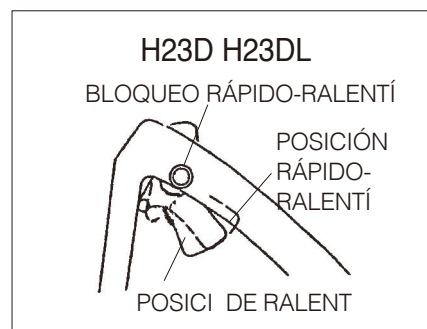
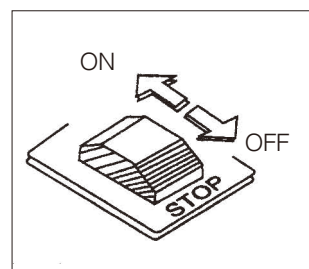
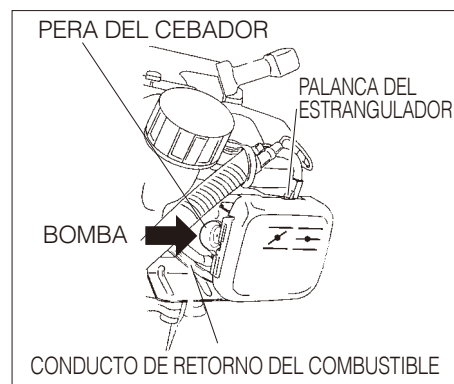
PROCEDIMIENTO DE ARRANQUE Y PARADA

Antes de arrancar el motor: Llene el depósito de combustible cómo se indica en el apartado “PRIMEROS PASOS” de este manual. Coloque el cortasetos en el suelo. Asegúrese de que las cuchillas estén libres de ramas, arbustos, residuos, etc. Mantenga alejados de la zona de trabajo a transeúntes, niños y animales.

CÓMO ARRANCAR EL MOTOR

El carburador de los motores MARUYAMA está equipado con un sistema de estrangulamiento.

1. Presione y suelte la pera del cebador de combustible situado en la parte inferior del carburador hasta ver fluir combustible sin burbujas a través del tubo de retorno del combustible al depósito.
2. Mueva la palanca del estrangulador hasta la posición “Close” (Cerrado).
Cuando el motor está caliente, desplace la palanca del estrangulador hasta la posición “Open” (Abierto)
3. Ponga el interruptor “Stop” en la posición “ON”.
4. Bloquee el gatillo del acelerador en la posición de arranque rápido-en ralentí.



Antes de arrancar el motor, coloque la máquina en el suelo y asegúrese de que la cuchilla esté libre de ramas y piedras.

5. Agarre la cuerda del arrancador y lentamente tire de la cuerda hasta sentir que opone resistencia, a continuación tire rápidamente con fuerza. Tire de la empuñadura del arrancador hasta que arranque el motor. Una vez arrancado, desplace la palanca del estrangulador a la posición "Open", a continuación pulse y suelte el gatillo del acelerador para que vuelva a la posición de ralentí.
6. Después de que arranque el motor, déjelo funcionar durante unos minutos para que se caliente antes de usarlo.

NOTA:

1. No saque la cuerda del arrancador por completo.
2. No suelte la cuerda del arrancador desde la posición en que está completamente extendida.

Para detener el motor:

1. Suelte el gatillo del acelerador.
2. Deslice el interruptor "Stop" hasta la posición "STOP".

AJUSTE DEL CARBURADOR

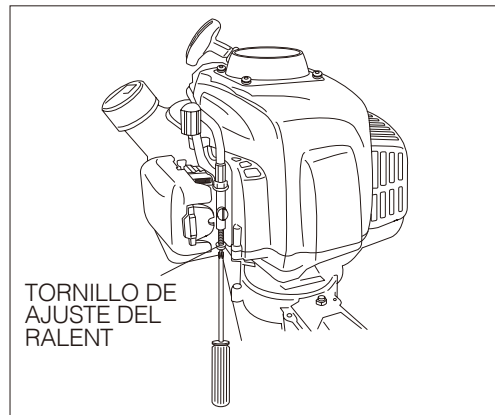
Este cortasetos está equipado con un carburador de mezcla de combustible no ajustable. La velocidad mínima del motor es el único ajuste accesible al usuario.

Las cuchillas pueden estar moviéndose durante el ajuste de la velocidad en ralentí. Utilice el equipo de protección personal recomendado y respete todas las instrucciones de seguridad.

Mantenga las manos y el cuerpo alejados de la zona de la cuchilla.

Velocidad mínima del motor:

Cuando se suelta el gatillo del acelerador, el motor debería volver a una velocidad de ralentí entre 2.700 y 3.300 rpm o justo por debajo de la velocidad de embrague. Las cuchillas no deben moverse y el motor no debería calarse (parar de funcionar) a la velocidad mínima del motor.



Se regula girando el tornillo de ajuste del ralentí en el carburador. Si gira el tornillo en el sentido de las agujas del reloj, aumentará la velocidad del motor; mientras que si lo hace en sentido contrario, la reducirá.

Si es necesario ajustar la velocidad de ralentí, y si después de haberlo hecho, se mueven las cuchillas o se cala el motor, **pare el cortasetos inmediatamente!**

Para asistencia técnica y mantenimiento, contacte con el distribuidor local autorizado de Maruyama.



CÓMO UTILIZAR EL CORTASETOS



PRECAUCIÓN: Lea la **ADVERTENCIA** de la página (54) sobre el uso correcto del cortasetos.

El cortasetos de MARUYAMA está diseñado para cortar y podar ramaje de hasta 6 mm. de diámetro. Aunque el cortasetos de MARUYAMA es capaz de cortar ramas de mayor diámetro, el desgaste y el daño ocasionados a la máquina aumentarían proporcionalmente.



PRECAUCIÓN: Cuando utilice el cortasetos, emplee siempre guantes e indumentaria de protección.

Pare el motor inmediatamente si se atascan las cuchillas. Asegúrese de que todas las piezas en movimiento se han parado y desconecte la bujía antes de revisar si hay daños en el equipo. Nunca utilice un cortasetos con cuchillas de corte resquebrajadas, agrietadas o rotas.

MANTENIMIENTO ORDINARIO

Cualquier centro de reparaciones o individuo puede realizar el mantenimiento, sustitución o reparación de los dispositivos y sistemas de control de emisiones; sin embargo, las reparaciones cubiertas por la garantía deben ser realizadas por un distribuidor o centro de servicios autorizado por Maruyama Manufacturing Company, Inc. El uso de piezas no equivalentes a las autorizadas en prestación y durabilidad puede afectar a la eficacia del sistema de control de las emisiones y repercutir en el resultado de una reclamación de garantía.

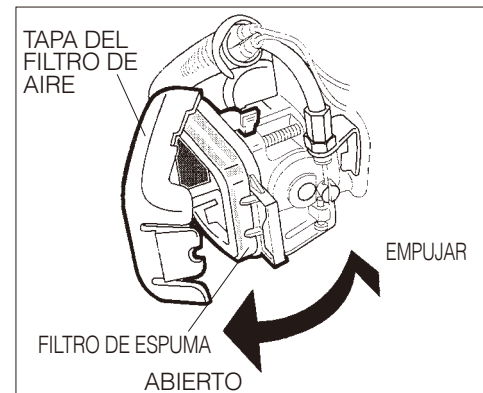
FILTRO DE AIRE

Intervalo de mantenimiento: El filtro de aire debería limpiarse diariamente o con más frecuencia, si se trabaja en condiciones de mucho polvo y cambiarse después de cada 100 horas de funcionamiento.

Mantenimiento: Pulse y abra la tapa del filtro de aire. Extraiga el filtro de espuma. Limpie el filtro con agua jabonosa caliente.

Deje que seque por completo. Aplique una ligera capa de aceite de motor SAE 30 al filtro de espuma y, retorciéndolo, escurra todo el exceso de aceite.

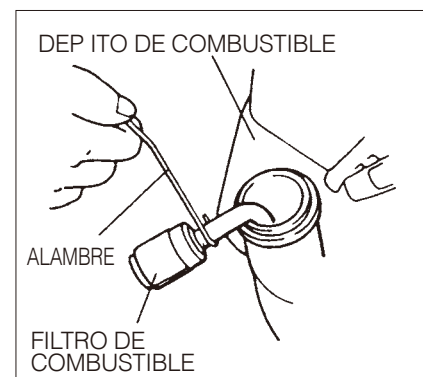
Vuelva a montar el filtro y la tapa del filtro.



FILTRO DE COMBUSTIBLE

Intervalo de mantenimiento: El filtro de combustible debería cambiarse tras 100 horas de funcionamiento.

Mantenimiento: El filtro de combustible está fijado al extremo del tubo de captación de combustible en el interior del depósito. Para cambiar el filtro de combustible, asegúrese primero de que el depósito esté vacío. Retire la tapa del depósito. Con un gancho, extraiga con cuidado el filtro a través del orificio de llenado de combustible. Agarre el tubo de combustible situado junto al racor del filtro y extraiga el filtro, **pero sin soltar el tubo**. Coloque

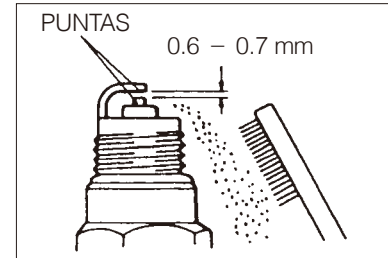


el nuevo filtro manteniendo el tubo de combustible aún agarrado. Deje caer el filtro en el depósito de combustible. Antes de volver a cargar combustible, asegúrese de que el filtro no esté atascado en un rincón del depósito, y de que el tubo de combustible no esté doblado (retorcido).

BUJÍA

Intervalo de mantenimiento: La bujía debería retirarse del motor y revisarse después de cada 25 horas de funcionamiento y cambiada después de cada 100.

Mantenimiento: Con el motor a temperatura ambiente, gire varias veces de un lado a otro el protector de plomo de alta tensión de la bujía para aflojarlo y retirarlo, a continuación. Extraiga la bujía. Los electrodos pueden limpiarse con un cepillo duro. Ajuste la separación entre electrodos a 0,6–0,7 mm.

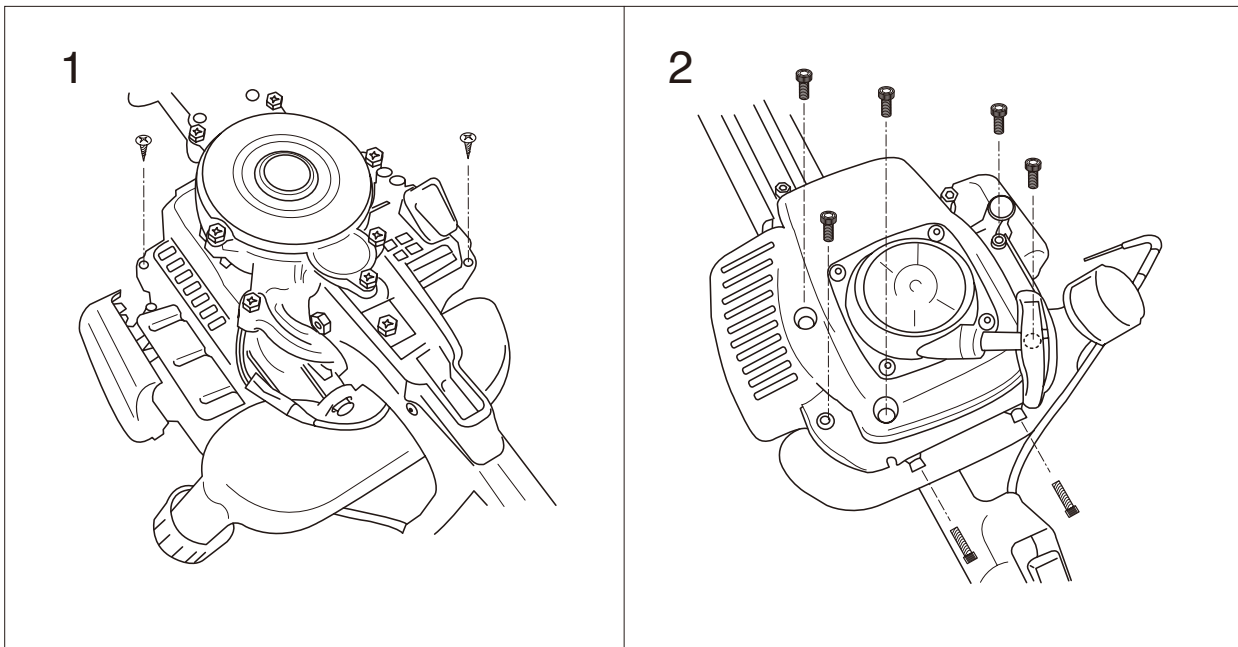


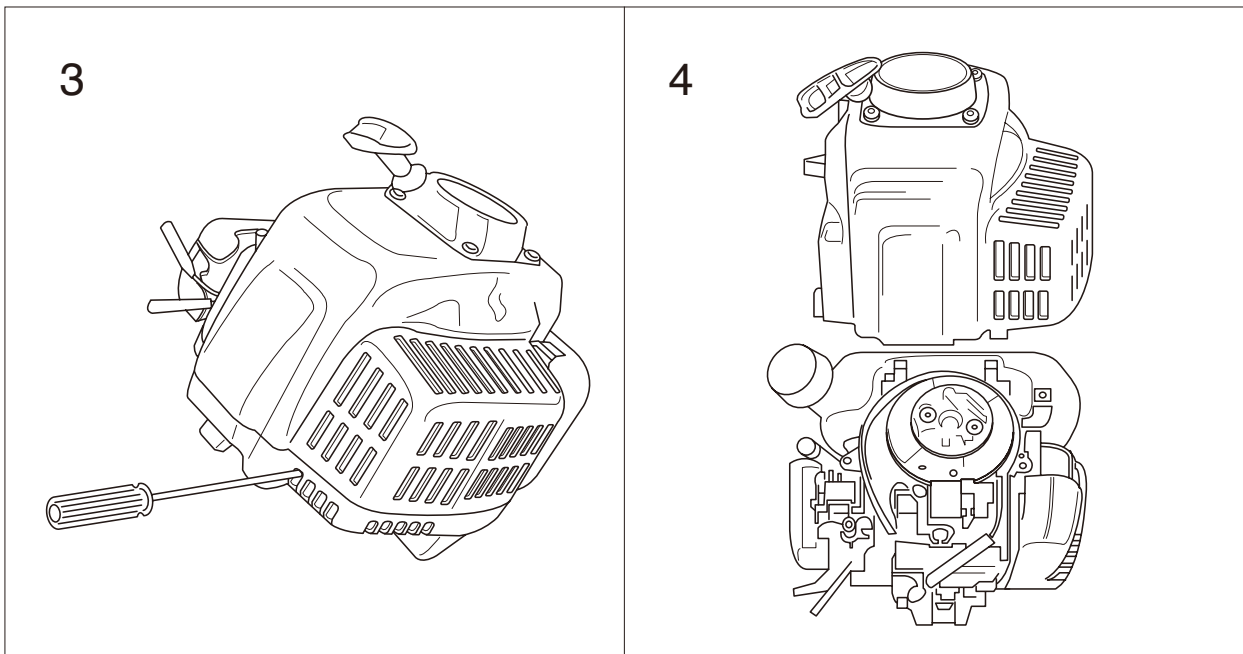
Cambie la bujía si está sucia de aceite, dañada o si los electrodos están gastados **Cuando instale la bujía, no la apriete en exceso.** El par de apriete es 10,7–16,6 Nm (95–148 in. lbs.). Reinstale las culatas del cilindro y del silenciador.

ALETAS DE REFRIGERACIÓN DEL CILINDRO

Intervalo de mantenimiento: Debería limpiar las aletas de refrigeración del cilindro después de cada 25 horas de funcionamiento o una vez a la semana, lo que ocurra primero. El aire debe fluir libremente alrededor y a través de las aletas de refrigeración del cilindro para evitar el sobrecalentamiento del motor. El depósito de hojas, hierba, suciedad y residuos en las aletas aumentará la temperatura de funcionamiento del motor. Esto puede reducir el rendimiento y la vida del motor.

Mantenimiento: Con el motor a temperatura ambiente, retire los dos tornillos de rosca (FIG.1). Quite los cuatro tornillos hexagonales de la placa, y retírela. Retire los tres tornillos hexagonales (FIG.2). Presione el trinquete, y tire de la tapa del ventilador (FIG.3, 4). Limpie toda la suciedad y residuos de las aletas de refrigeración y alrededor de la base del cilindro. Reinstale la tapa del ventilador y la placa.



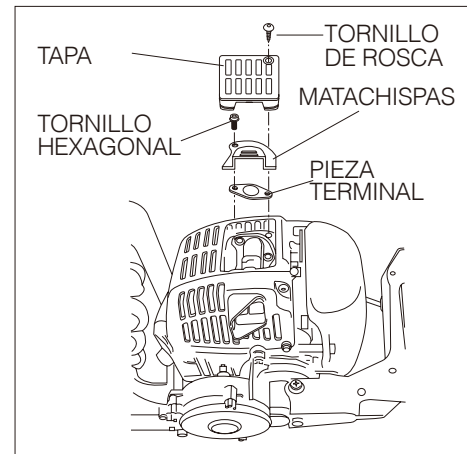


MATACHISPAS

Intervalo de mantenimiento: Debería examinar y limpiar el matachispas después de cada 25 horas de uso. Cambie el filtro si no puede limpiarlo a fondo o si está dañado.

Mantenimiento: Con el motor a temperatura ambiente, retire el tornillo de rosca y la tapa. Retire los dos tornillos hexagonales que sujetan la pieza terminal y el matachispas al silenciador. Retire y limpie la pieza terminal, la junta y el matachispas con un disolvente de seguridad y un cepillo duro. En caso de no poder limpiar por completo alguna pieza, debe cambiarla. Vuelva a instalar el matachispas y la pieza terminal en el silenciador, a continuación coloque y apriete los dos tornillos hexagonales.

Vuelva a instalar la tapa.



SILENCIADOR DE ESCAPE

Intervalo de mantenimiento: Debe examinar y limpiar el silenciador después de cada 100 horas de uso.

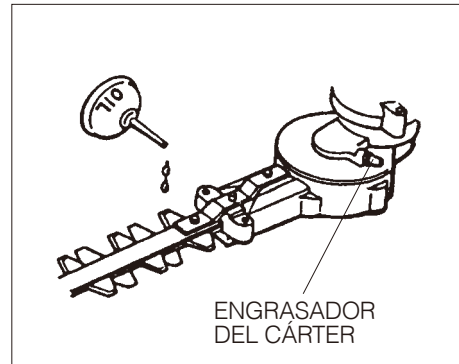
Mantenimiento: Retire la tapa del motor (Consulte el apartado "Aletas de refrigeración del cilindro"). Extraiga el matachispas (Consulte el apartado "Mantenimiento del matachispas"). Limpie el silenciador con un cepillo duro. Vuelva a instalar el matachispas en el silenciador, a continuación coloque y apriete los dos tornillos hexagonales. Vuelva a instalar la tapa del ventilador y apriete los tres tornillos hexagonales. Enganche el trinquete y reinstale la culata del cilindro, a continuación apriete los dos tornillos hexagonales y los dos tornillos de rosca. Vuelva a instalar la placa y apriete los cuatro tornillos hexagonales.

IMPORTANTE: No utilice disolvente para limpiar el interior del silenciador, por el conversor catalítico. Tenga cuidado de que no se introduzca suciedad ni residuos en el orificio de escape, puede causar daños en el motor.

LUBRICACIÓN: CÁRTER Y CUCHILLAS

El cárter tiene una mecha de fieltro en la abertura de la cuchilla. A medida que se utilice el cortasetos, el lubricante del cárter se vuelve muy blando. Las cuchillas oscilantes extraen constantemente pequeñas cantidades de lubricante entre las superficies de contacto de la cuchilla para que haya una lubricación adicional. Si no se lubrica el cárter en los intervalos recomendados, se averiará por falta de lubricación.

Los daños en el cárter ocasionados por un mantenimiento incorrecto no están cubiertos por la garantía de Maruyama.



El cárter y las cuchillas deben lubricarse después de cada 10 horas de uso.

NOTA: Si se utiliza el cortasetos en condiciones difíciles como a elevadas temperaturas ambiente (superiores a 75°F) o durante períodos continuos y prolongados de funcionamiento, deben lubricarse el cárter y las cuchillas cada 2 horas.

Lubrique el cárter en el engrasador con un lubricante de litio n° 2 de buena calidad. Lubrique las cuchillas con un aceite ligero (#10 wt.).

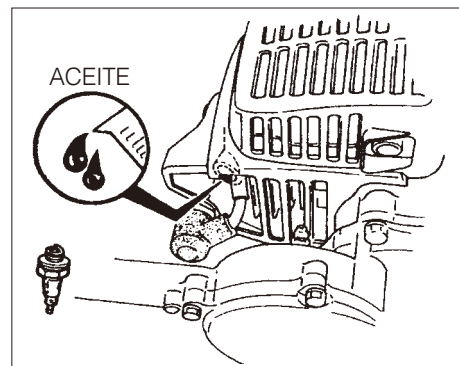
LIMPIEZA GENERAL Y AJUSTE

Si se realiza el mantenimiento correctamente, el cortasetos de MARUYAMA ofrecerá el máximo rendimiento durante un largo período de tiempo. El mantenimiento adecuado incluye comprobar con frecuencia si todas las fijaciones están bien apretadas, y toda la máquina bien limpia. Los residuos de los pasos y de las gomas deberían retirarse diariamente de las cuchillas. Debería comprobar con frecuencia el ajuste de la tensión de la cuchilla. Para instrucciones sobre el ajuste de las cuchillas, consulte la página (59).

ALMACENAMIENTO

Si va a guardar el cortasetos durante largo tiempo, vacíe el depósito de combustible en un recipiente adecuado para su almacenamiento. Accione la pera del cebador del carburador hasta descargar todo el combustible por el tubo de retorno. Ponga en marcha el motor para eliminar el combustible que pueda quedar en el carburador.

Realice todos los procedimientos de mantenimiento ordinarios y cualquier reparación necesaria. Retire la bujía y rocíe el cilindro con una pequeña cantidad de aceite. Tire una vez de la empuñadura del arrancador.



PRECAUCIÓN: Al tirar de la empuñadura del arrancador, puede salir despedido un chorro de aceite por el orificio de la bujía. Protéjase los ojos y mantenga la cara alejada del orificio de la bujía. Tire lentamente de la cuerda del arrancador para llevar el pistón hasta la parte superior del cilindro (TDC). Reinstale la bujía. Lubrique abundantemente las cuchillas con aceite ligero (#10 wt.). Guarde el cortasetos en un lugar seco alejado del calor excesivo, chispas o llamas abiertas.

Período de mantenimiento

Mantenimiento	Diariamente	Cada 20 horas	Cada 50 horas	Cada 100 horas
Comprobar si hay combustible y llenar	●			
Comprobar si hay fugas de combustible	●			
Comprobar si faltan o si es necesario apretar los pernos, las tuercas y los tornillos.	●			
Apretar las tuercas y los tornillos.			●	
■ Limpiar el filtro de aire.		●		
Limpiar la bujía de encendido y ajustar la separación entre los electrodos			●	
■ Eliminar el polvo y la suciedad de las aletas del cilindro			●	
● Eliminar los depósitos de carbón del orificio de escape.			●	
● Limpiar el matachispas			●	
Cambiar el filtro de combustible				●
● Eliminar los depósitos de carbón del cabezal del pistón y de la cámara de combustión.				●
● Eliminar los depósitos de carbón de los orificios de paso.				●
Cambiar el tubo del combustible, la junta de la tapa del depósito de combustible.	Se recomienda cambiar cada 3 años.			

● : El mantenimiento ha de ser realizado por un distribuidor autorizado de motores Maruyama.

■ : Realizar el mantenimiento con mayor frecuencia en condiciones de mucho polvo.

NOTA:

Los intervalos de mantenimiento indicados se utilizarán a modo de referencia.

El mantenimiento se realizará con mayor frecuencia, según se precise, en función de las condiciones de funcionamiento.

Utilice aceite Maruyama estándar (50:1) para motor de dos tiempos.



Maruyama U.S., Inc.
4770 Mercantile Drive,
suite100,
Fort Worth, TX 76137 U.S.A.
Phone 940-383-7400
Fax 940-383-7466

www.maruyama-us.com
273356-02 US/ES/FR 15.01 TAP/Q