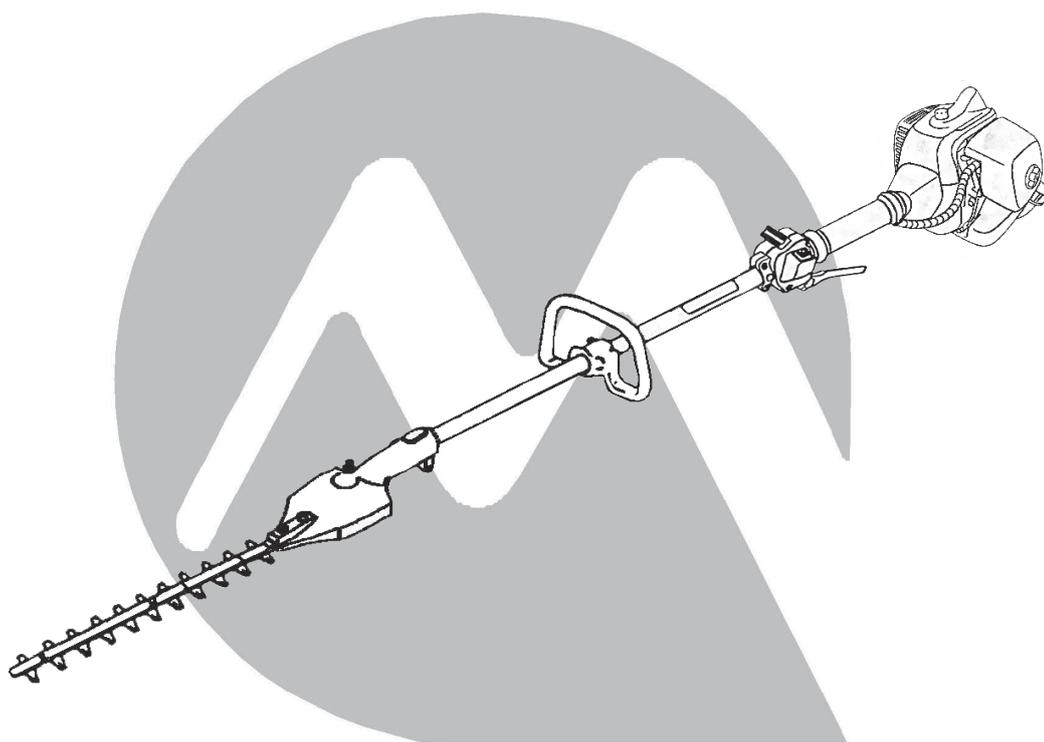




MARUYAMA®

**OWNER'S/OPERATOR'S MANUAL
MANUAL DEL PROPIETARIO U OPERADOR
MANUEL DU PROPRIETAIRE/DE
L'UTILISATEUR**

**Hedge trimmer
Cortasetos
Taille-haie
EH230D/EH270D-S**



The POWER in Outdoor Power

Completely read and understand this manual PRIOR to using this product.

Lea y entienda este manual a fondo, ANTES de usar este producto.

Lisez complètement et comprenez ce manuel AVANT d'utiliser ce produit.



Limited Warranty Statement

All Maruyama commercial/ industrial products are warranted to the original purchaser to be free from defects in material and workmanship **from the date of purchase** for the time periods listed as follows:

Lifetime for solid steel driveshaft and ignition coils.

5 years for qualified IRON 5-YR™ commercial, institutional, or industrial use.

2 years for residential and commercial use with competitor's oil.

90 days for rental use.

Engine - Refer to engine manufacturer's warranty statement. Only Maruyama engines are covered by this limited warranty statement.

Any part of a Maruyama product found to be defective within the applicable warranty period shall, at Maruyama's option, be repaired or replaced without charge. Warranty consideration is obtained by delivering any Maruyama product believed to be defective to an Authorized Maruyama Servicing Dealer within the applicable warranty period.

The purchaser shall not be charged for diagnostic labor that leads to the determination that a warranted part is defective, if the diagnostic work is performed at a Maruyama Dealer.

Any warranted part which is not scheduled for replacement as required maintenance, or which is scheduled only for regular inspection to the effect of "repair or replace as necessary" shall be warranted for the warranty period. Any warranted part, which is scheduled for replacement as, required maintenance shall be warranted for the period of time up to the first scheduled replacement point for that part. Maruyama Mfg. Co., Inc. is liable for damages to other engine components caused by the failure of a warranted part still under warranty.

The purchaser is responsible for the performance of the required maintenance, as defined by Maruyama Mfg. Co., Inc. in the Owner's/Operator's Manual.

EMISSION-RELATED PARTS WARRANTY: In addition to the above warranty coverage, Maruyama Mfg. Co., Inc. will repair or replace, free of charge, for the original purchaser and each subsequent purchaser any emission-related part or parts found to be defective in material and workmanship for five (5) years from original retail delivery date. **Emission-related parts are the carburetor assembly, the ignition coil assembly, the ignition rotor, the spark plug, the catalytic converter and the fuel tank.** Any replacement part that is equivalent in performance and durability may be used in non-warranty maintenance or repairs, and shall not reduce the warranty obligations of Maruyama Mfg. Co., Inc.

This warranty does not cover the following:

1. Maintenance items (excluding defects in materials and workmanship) including hoses, spark plugs, starter rope, air and fuel filters, clutch shoes, vibration isolators, throttle cables and all cutting attachments, etc.
2. Extra expenses including shipping and handling, travel, payment for lost time or pay and for any inconvenience and storage.
3. Alterations or modifications including aftermarket parts not authorized by Maruyama U.S., Inc.
4. Wear, accident, abuse, neglect, misuse, negligence, improper fuels, lubricants, fuel mixtures (when applicable), or failure to operate or maintain the product in accordance with instructions approved by Maruyama.

Repair or replacement as provided under this warranty is the exclusive remedy of the consumer. Maruyama shall not be liable for any incidental or consequential damages for breach of any express or implied warranty on these products except to the extent prohibited by applicable law. Any implied warranty of merchantability or fitness for a particular purpose on these products is limited in duration to the warranty period as defined in the limited warranty statement. Maruyama reserves the rights to change or improve the design of the product without notice and does not assume obligation to update previously manufactured products.

This warranty provides you with specific legal rights, which may vary from state to state.

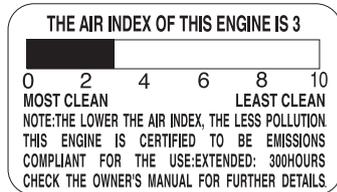
It is the Owner's and Dealer's responsibility to make sure the Warranty Registration Card is properly filled out and mailed to Maruyama U.S., Inc. Proof of purchase and registration will be required in order to obtain warranty service.

To locate an Authorized Maruyama Servicing Dealer nearest you, contact:

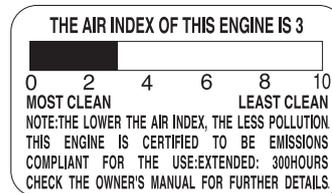
Maruyama U.S., Inc.
4770 Mercantile Drive, suite100,
Fort Worth, TX 76137 U.S.A.
(940)383-7400
maruyama@maruyama-us.com
www.maruyama-us.com

⚠ WARNING: ⚠

Operating, servicing and maintaining this product can expose you to chemicals including engine exhaust, carbon monoxide, phthalates, and lead, which are known to the State of California to cause cancer and birth defects or other reproductive harm. To minimize exposure, avoid breathing exhaust, service equipment in a well-ventilated area and wear gloves or wash your hands frequently when servicing this equipment. For more information, visit on the web at www.P65warnings.ca.gov.



EH230D



EH270D-S

FEDERAL EMISSION CONTROL WARRANTY STATEMENT YOUR WARRANTY RIGHTS AND OBLIGATIONS

The U.S. Environmental Protection Agency (EPA), and Maruyama Manufacturing Company, Inc. are pleased to explain the **emission control system warranty** on your small off-road engine. New 1997 and later model year small off-road engines must be designed, built and equipped, at the time of sale, to meet the U.S. EPA regulations for small off-road engines. The equipment engine must be free from defects in materials and workmanship which cause it to fail to conform with U.S. EPA standards for the first five years of engine use from the date of sale to the ultimate purchaser. Maruyama Manufacturing Company, Inc. must warrant the emission control system on your small off-road engine for the period of time listed above provided there has been no abuse, neglect or improper maintenance of your small off-road engine.

Emission durability of 300 hours.

Your emission control system may include parts such as the carburetor or fuel injection system, the ignition system, and catalytic converter. Also included may be hoses, belts, and connectors and other emission related assemblies.

Where a warrantable condition exists, Maruyama Manufacturing Company, Inc. will repair your small off-road engine at no cost to you, including diagnosis (if the diagnostic work is performed at an authorized dealer), parts, and labor.

MANUFACTURER'S WARRANTY COVERAGE:

The 1997 and later model year small off-road engines are warranted for five years. If any emission-related part on your engine is defective, the part will be repaired or replaced by Maruyama Manufacturing Company, Inc. free of charge.

OWNER'S WARRANTY RESPONSIBILITIES:

- As the small off-road engine owner, you are responsible for the performance of the required maintenance listed in your owner's/operator's manual.
Maruyama Manufacturing Company, Inc. recommends that you retain all receipts covering maintenance on your small off-road engine, but Maruyama Manufacturing Company, Inc. cannot deny warranty solely for the lack of receipts or for your failure to ensure the performance of all scheduled maintenance. Any replacement part or service that is equivalent in performance and durability may be used in non-warranty maintenance or repairs, and shall not reduce the warranty obligations of the engine manufacturer.
- As the small off-road engine owner, you should be aware, however, that Maruyama Manufacturing Company may deny you warranty coverage if your small off-road engine or a part has failed due to abuse, neglect, improper maintenance or unapproved modifications.
- You are responsible for presenting your small off-road engine to a Maruyama Manufacturing Company, Inc. service center as soon as a problem exists. The warranty repairs should be completed in a reasonable amount of time, not to exceed 30 days.

If you have any questions regarding your warranty rights and responsibilities, you should contact Maruyama U.S., Inc. at **1-866-783-7400**, or warranty@maruyama-us.com.

COVERAGE

Maruyama Manufacturing Company, Inc. warrants to the ultimate purchaser and each subsequent purchaser that your small off-road engine will be designed, built and equipped, at the time of sale, to meet all applicable regulations. Maruyama Manufacturing Company, Inc. also warrants to the initial purchaser and each subsequent purchaser that your small off-road engine is free from defects in materials and workmanship which cause the engine to fail to conform with applicable regulations for a period of five years.

The 1997 and later model years, EPA requires manufacturers to small off-road engines for five years. These warranty periods will begin on the date the small off-road engine is purchased by the initial purchaser. If any emission-related part on your engine is defective, the part will be replaced by Maruyama Manufacturing Company, Inc. at no cost to the owner.

Maruyama Manufacturing Company, Inc. shall remedy warranty defects at any authorized Maruyama Manufacturing Company, Inc. engine dealer or warranty station. Any authorized work done at an authorized dealer or warranty station shall be free of charge to the owner if such work determines that a warranted part is defective. Any manufacturer-approved or equivalent replacement part may be used for any warranty maintenance or repairs on emission-related parts, and must be provided free of charge to the owner if the part is still under warranty, Maruyama Manufacturing Company, Inc. is liable for damages to other engine components caused by the failure of a warranted part still under warranty.

EPA considers emission-related warranted parts to include all the parts listed below. These warranted parts are: **the carburetor assembly, the ignition coil assembly, the ignition rotor, the spark plug, the catalytic converter, and the fuel tank.**

MAINTENANCE REQUIREMENTS

The owner is responsible for the performance of the required maintenance as defined by the Maruyama Manufacturing Company, Inc. in the owner's/operator's manual.

LIMITATIONS

This Emission Control System Warranty shall not cover any of the following:

- (a) repair or replacement required because of misuse or neglect, lack of required maintenance, repairs improperly performed or replacements not conforming to Maruyama Manufacturing Company, Inc. specifications that adversely affect performance and/or durability, and alterations or modifications not recommended or approved in writing by Maruyama Manufacturing Company, Inc., and
- (b) replacement of parts and other services and adjustments necessary for required maintenance at and after the first scheduled replacement point.

Part II: CALIFORNIA EMISSIONS CONTROL WARRANTY STATEMENT

CALIFORNIA EXHAUST AND EVAPORATIVE EMISSION CONTROL WARRANTY STATEMENT YOUR WARRANTY RIGHTS AND OBLIGATIONS

The California Air Resources Board and Maruyama Manufacturing Company, Inc. are pleased to explain the exhaust and evaporative emissions ("emissions") control system warranty on your 2020 small off-road engine. In California, new equipment that use small off-road engines must be designed, built, and equipped to meet the State's stringent anti-smog standards. Maruyama Manufacturing Company, Inc. must warrant the emissions control system on your small off-road engine for the periods of time listed below provided there has been no abuse, neglect or improper maintenance of your small off-road engine or equipment leading to the failure of the emissions control system.

Your emissions control system may include parts such as the carburetor or fuel-injection system, the ignition system, catalytic converter, fuel tanks, fuel lines (for liquid fuel and fuel vapors), fuel caps, valves, canisters, filters, clamps and other associated components. Also included may be hoses, belts, connectors, and other emission-related assemblies.

The evaporative emission warranty parts list shall include all parts whose failure would increase evaporative emissions, and may contain, but is not limited to, the following parts: Fuel Tank, Fuel Cap, Fuel Lines (for liquid fuel and fuel vapors), Fuel Line Fittings, Pressure Relief Valves, Control Valves, Vacuum Control Diaphragms, Purge Valves, Carburetor Purge Port Connector.

Where a warrantable condition exists, Maruyama Manufacturing Company, Inc. will repair your small off-road engine at no cost to you including diagnosis, parts and labor.

MANUFACTURER’S WARRANTY COVERAGE:

The exhaust and evaporative emissions control system on your small off-road engine is warranted for five years. If any emissions-related part on your small off-road engine is defective, the part will be repaired or replaced by Maruyama Manufacturing Company, Inc.

OWNER’S WARRANTY RESPONSIBILITIES:

- As the small off-road engine owner, you are responsible for the performance of the required maintenance listed in your owner’s manual. Maruyama Manufacturing Company, Inc. recommends that you retain all receipts covering maintenance on your small off-road engine, but Maruyama Manufacturing Company, Inc. cannot deny warranty coverage solely for the lack of receipts or for your failure to ensure the performance of all scheduled maintenance.
- As the small off-road engine owner, you should however be aware that Maruyama Manufacturing Company, Inc. may deny you warranty coverage if your small off-road engine or a part has failed due to abuse, neglect, or improper maintenance or unapproved modifications.
- You are responsible for presenting your small off-road engine to a Maruyama Manufacturing Company, Inc. distribution center or service center as soon as the problem exists. The warranty repairs shall be completed in a reasonable amount of time, not to exceed 30 days.

If you have any questions regarding your warranty rights and responsibilities, you should contact Maruyama Manufacturing Company, Inc. at **1-866-783-7400**, or warranty@maruyama-us.com.

The **evaporative** emission warranty parts list shall include all parts whose failure would increase evaporative emissions, and may contain, but is not limited to, the following parts:

- (1) Fuel Tank
- (2) Fuel Cap
- (3) Fuel Lines (for liquid fuel and fuel vapors)
- (4) Fuel Line Fittings
- (5) Pressure Relief Valves
- (6) Control Valves
- (7) Vacuum Control Diaphragms
- (8) Purge Valves
- (9) Carburetor Purge Port Connector

The **exhaust** emission warranty parts list shall include all parts whose failure would increase exhaust emissions, and may contain, but is not limited to, the following parts:

- (1) Fuel Metering System
 - (A) Carburetor and internal parts
- (2) Cold start enrichment system
- (3) Controlled hot air intake system
- (4) Air filter
- (5) Ignition System
- (6) Spark Plug
- (7) Magneto or electronic ignition system
- (8) Spark advance/retard system
- (9) Exhaust Gas Recirculation (EGR) System
- (10) EGR valve body, and carburetor spacer if applicable
- (11) Air pump or pulse valve

Contents

	Page US-
Limited Warranty Statement	1
FEDERAL EMISSION CONTROL.....	3
CALIFORNIA EMISSION CONTROL	4
Contents	6
Introduction.....	6
Safety	7
Operator Safety	7
Hedge trimmer Safety	7
Fuel Safety	8
Hedge trimmer Operating Safety.....	8
Product Description	9
Safety Decals	9
Assembly.....	10
Assembling Engine and Shaft Assembly	10
Connecting Stop Switch Wires	10
Connecting Throttle Cable	10
Loop Handle Installation.....	11
Before Operation.....	11
Oil and Fuel	11
Mixing Gasoline And Oil.....	12
Starting And Stopping.....	13
Instruction of the throttle trigger.....	15
Operation	15
Operating Position	15
Maintenance.....	16
Idle Speed Adjustment	16
Air Filter	16
Fuel Filter.....	17
Spark Plug.....	17
Cylinder Cooling Fins	18
Spark Arrester	18
Exhaust Muffler	19
Adjusting Cutting Blades	19
Cutting Blades Maintenance	19
Lubrication	20
General Cleaning and Tightening	20
Storage	20
Troubleshooting	21
Maintenance Period	21
Specifications.....	End of this manual

Introduction

Thank you for purchasing a MARUYAMA product.

MARUYAMA, its distributors, and dealers want you to be completely satisfied with your new product. Please feel free to contact your local Authorized Service Dealer for help with service, genuine MARUYAMA parts, or other information you may require.

Whenever you contact your Authorized Service Dealer or the factory, always know the serial number of your product. This number will help the Service Dealer or Service Representative provide exact information about your specific product. You will find the model and serial number located in a unique place on the product (Product Description on page US-9).

For your convenience, write the product model name and serial number in the space to the below.

Model Name _____
Serial No. _____

Read this manual carefully to learn how to operate and maintain your product correctly. Reading this manual will help you and others avoid personal injury and damage to the product.

Although MARUYAMA designs, produces and markets safe, state-of-the-art products, you are responsible for using the product properly and safely. You are also responsible for training persons who you allow to use the product about safe operation.

The MARUYAMA warning system in this manual identifies potential hazards and has special safety messages that help you and others avoid personal injury, even death. DANGER, WARNING and CAUTION are signal words used to identify the level of hazard. However, regardless of the hazard, be extremely careful.

DANGER signals an extreme hazard that will cause serious injury or death if the recommended precautions are not followed.

WARNING signals a hazard that may cause serious injury or death if the recommended precautions are not followed.

CAUTION signals a hazard that may cause minor or moderate injury if the recommended precautions are not followed. Two other words are also used to highlight information. “Important” calls attention to special mechanical information and “Note” emphasizes general information worthy of special attention.

Safety

Operator Safety

1. Read and understand this Owner’s/Operator’s Manual before using this product. Be thoroughly familiar with the proper use of this product.
2. Never allow children to operate the Hedge trimmer. It is not a toy. Never allow adults to operate the unit without first reading the Owner’s/Operator’s Manual.
3. Always wear eye protection that complies with ANSI (American National Standards Institute) Z87-1.



4. Always wear hearing protection.



5. Always wear heavy, long pants, a long sleeved shirt, boots and gloves. Do not wear loose clothing, jewelry, short pants, sandals, or go barefoot. Secure hair so it is above shoulder length.
6. Never operate this Hedge trimmer when you are tired, ill, or under the influence of alcohol, drugs or medication.

7. Never start or run the engine inside a closed room or building. Breathing exhaust fumes can cause death.



8. Keep handles clean of oil, fuel and dirt.

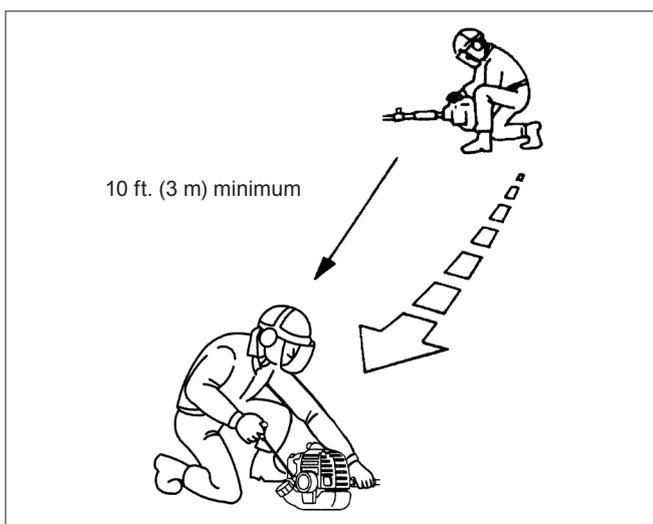
Hedge trimmer Safety

1. Make sure the Hedge trimmer is assembled correctly.
2. Inspect the Hedge trimmer before each use. Replace damaged parts. Check for fuel leaks. Make sure all fasteners are in place and tightened securely. Follow the maintenance instructions beginning on page US-16.
3. Make sure the blades does not move at engine idle speed. Refer to Idle Speed Adjustment, page US-16.
4. Inspect the blades, guide and replace any parts that are cracked, chipped or damaged before using the Hedge trimmer.
5. Where the Hedge Trimmer is provided with adjustments to the angle of the cutting device never hold the cutter blades when making adjustments to the working position of the cutting device. Always ensure that the cutting device is correctly located in a designated working position before starting the engine or plugging in to the mains.
6. Never use blades or replacement parts that are not approved by MARUYAMA.
7. Maintain the Hedge trimmer according to the recommended maintenance intervals and procedures in the Maintenance section on page US- 16.
8. Shut off the engine and be certain the blades has completely stopped moving before inverting the Hedge trimmer, performing maintenance on or working on the machine.
9. If running problems or excessive vibration occur, stop immediately and inspect the unit for the cause. If the cause cannot be determined or is beyond your ability to correct, return the Hedge trimmer to your servicing dealer for repair.

10. The Exhaust gases are extremely hot. Keep flammable materials and objects at least 3ft. (1m) away from the direction that the exhaust gases are coming out of the muffler. Do not cover the exhaust gases with any items. There is a high risk of materials and objects catching fire and getting burned.
11. During the operation and idling of the unit, the engine is very hot. Also, for a while after the engine stops, the engine is still hot. Do not place the engine near flammable materials such as dried grass. There is a high risk of materials catching fire.

Fuel Safety

1. Gasoline is highly flammable and must be handled and stored carefully. Use a container approved for fuel to store gasoline and/or fuel/oil mixture.
2. Mix and pour fuel outdoors, where there are no sparks or flames.
3. Do not smoke near fuel or Hedge trimmer, or while using the Hedge trimmer.
4. Do not overfill the fuel tank. Stop filling 1/4-1/2 in. (6 mm-13 mm) from the top of the tank.
5. Wipe up any spilled fuel before starting the engine.
6. Move the Hedge trimmer at least 10 ft. (3m) away from the fueling location before starting the engine.



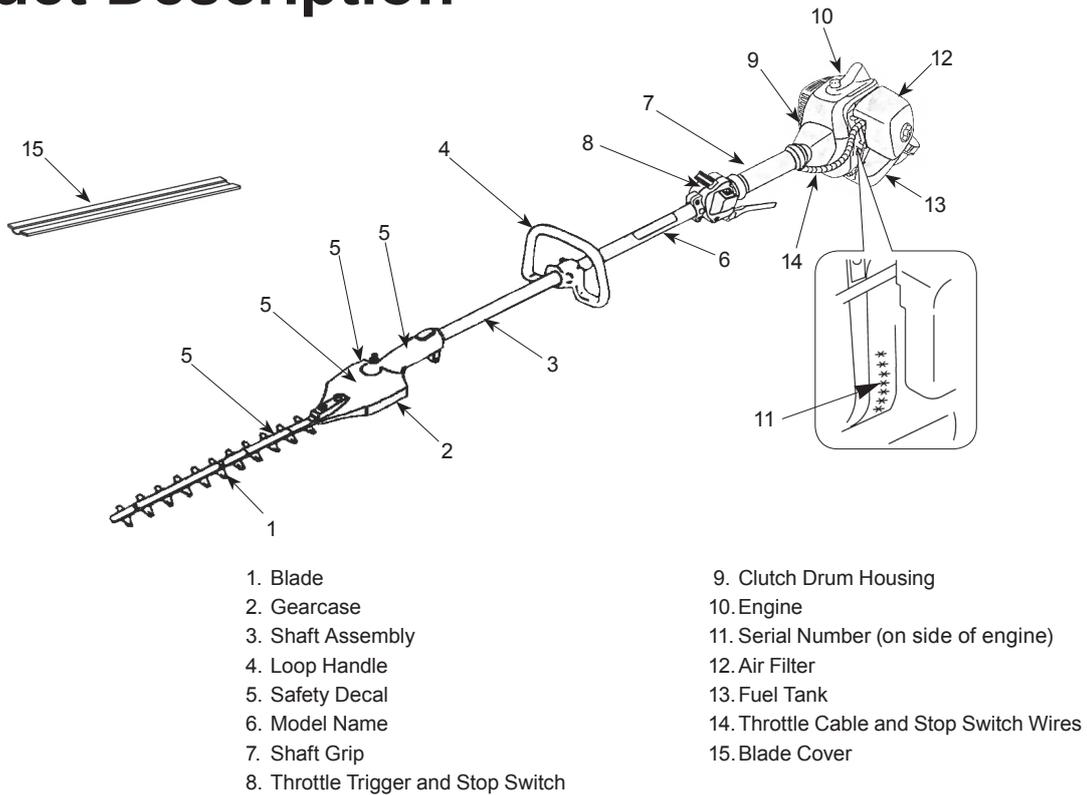
7. Do not remove the fuel tank cap while the engine is running, or right after stopping the engine.
8. Allow the engine to cool before refueling.

9. Drain the tank and run the engine dry before storing the unit.
10. Store fuel and Hedge trimmer away from open flame, sparks and excessive heat. Make sure fuel vapors cannot reach sparks or open flames from water heaters, furnaces, electric motors, etc.

Hedge trimmer Operating Safety

1. THIS HEDGE TRIMMER CAN CAUSE SERIOUS INJURIES. Read the instructions carefully. Be familiar with all controls and the proper use of the Hedge trimmer.
2. Inspect your work area before you begin. Remove string, rope or similar materials which can become entangled in the Hedge trimmer blades.
3. Keep children, bystanders and animals outside operating area.
4. If you are approached while operating the Hedge trimmer, stop the engine and blade moving.
5. Never allow children to operate the Hedge trimmer.
6. Use the Hedge trimmer only in daylight or good artificial light.
7. Always keep the Hedge trimmer on the right side of your body.
8. Do not put hands or feet near or under any moving parts. Keep clear at all times. Keep all parts of your body away from the moving cutting blades and hot surfaces such as the muffler.
9. Keep firm footing and balance. Do not overreach.
10. Do not operate the Hedge trimmer while standing on a ladder or similar temporary support.
11. Use the right tool for the job. Do not use the Hedge trimmer for any job that is not recommended by MARUYAMA.

Product Description



- | | |
|-------------------------------------|--|
| 1. Blade | 9. Clutch Drum Housing |
| 2. Gearcase | 10. Engine |
| 3. Shaft Assembly | 11. Serial Number (on side of engine) |
| 4. Loop Handle | 12. Air Filter |
| 5. Safety Decal | 13. Fuel Tank |
| 6. Model Name | 14. Throttle Cable and Stop Switch Wires |
| 7. Shaft Grip | 15. Blade Cover |
| 8. Throttle Trigger and Stop Switch | |

Safety Decals



Safety Decals are easily visible to the operator and are located near any area of potential danger. Replace any decal that is damaged or lost.

CAUTION : Extremely sharp blades. Do not touch.

**ON GUIDE BAR
(Part No.235595)**



**ON GEARCASE
(Part No.423331)**



**ON GEARCASE
(Part No.423332)**



**ON GEARCASE
(Part No.423333)**



Handling this machine improperly could result in accidents causing serious injury or death. Read this manual carefully and practice using the trimmer until you are fully acquainted with all operations and have learned to use it correctly.



Carefully read owner's/operator's manual.



Always be careful to wear a face protector, ear protector and helmet when using your Hedge Trimmer.

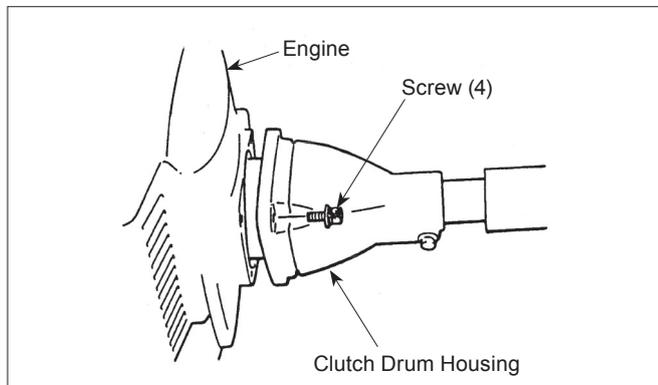


Keep hands away from cutting blades.

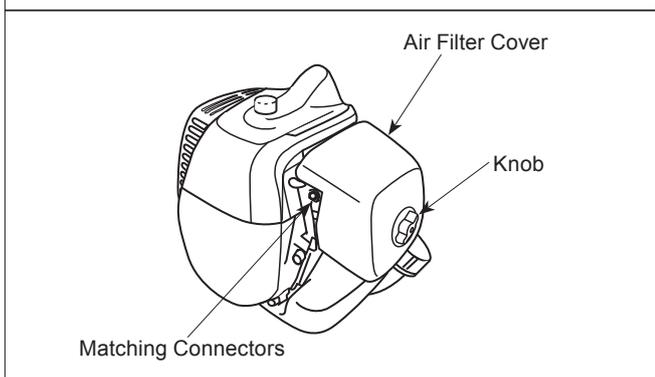
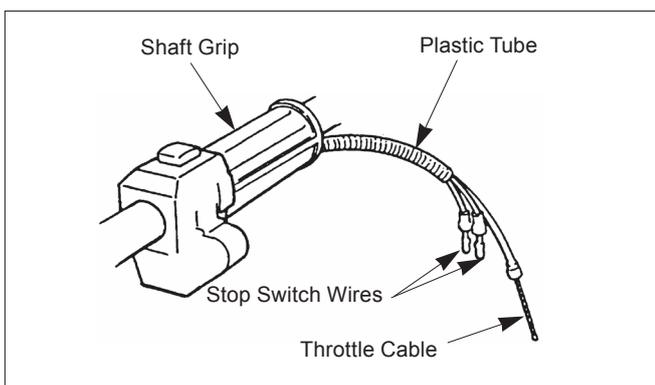
Assembly

Assembling Engine and Shaft Assembly

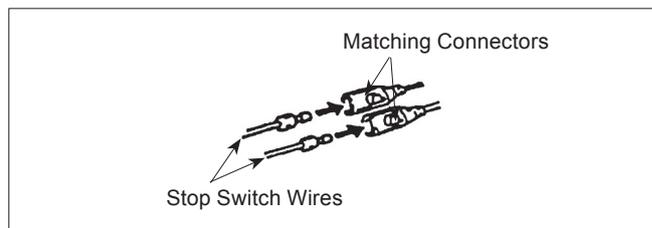
Attach the clutch drum housing to the engine using the four screws supplied with the unit.



Connecting Stop Switch Wires

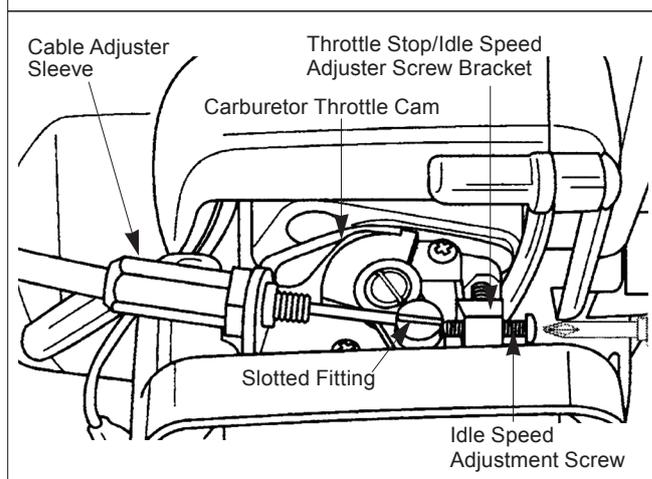
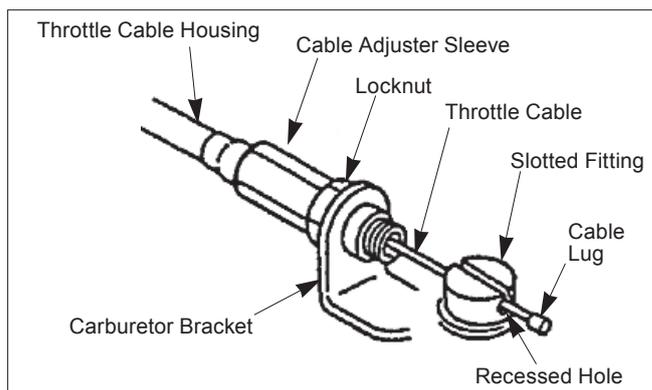


1. Install the plastic tube (packed with the shaft assembly) around the throttle cable and stop switch wires.
2. Loosen the knob and remove the air filter cover to access the stop switch wires.
3. Plug the stop switch wires into the matching connectors from the engine. Note that wire polarity is not important.



Connecting Throttle Cable

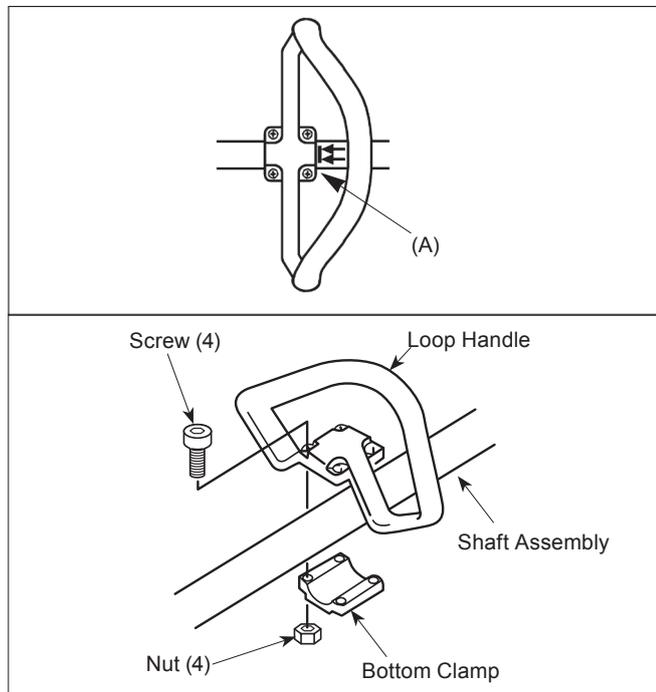
1. With the air filter cover removed, insert the throttle cable through the cable adjuster sleeve on the carburetor bracket. Make sure the end of the cable housing is seated positively in the sleeve.



2. Position the slotted fitting on the carburetor so the recessed hole for the lug is away from the cable adjuster sleeve.
3. Rotate the carburetor throttle cam and slip the throttle cable through the slot in the slotted fitting, making sure the cable lug drops into the recessed hole.
4. Operate the throttle trigger a few times to make sure that it works righty.
5. Adjust the cable adjuster sleeve so the stop on the carburetor throttle cam contacts the idle speed adjustment screw and the cable position keep 1-2mm play between cable lug and slotted fittings when the throttle trigger is fully depressed.

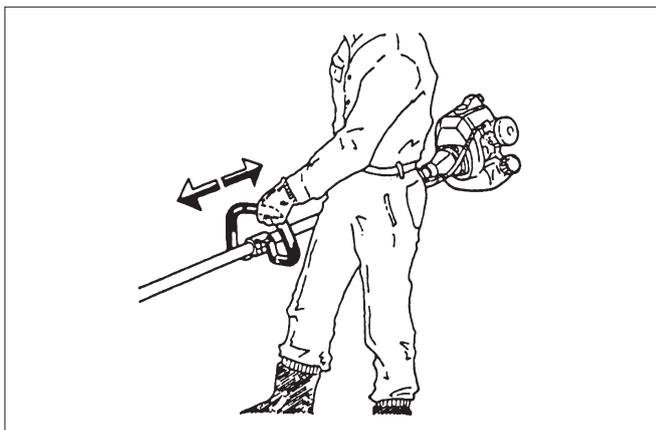
6. When the throttle cable is adjusted correctly, tighten the locknut.
7. Reinstall the air filter cover and tighten the knob.

Loop Handle Installation



Loop handle must be assembled gearcase side from the arrow (A).

1. Place the loop handle and the bottom clamp on the shaft assembly.
2. Install the four screws and nuts. Leave the screws finger-tight.
3. Reposition the loop handle up or down the shaft assembly to the most comfortable position, but don't over to the arrow mark.
4. Tighten the screws and nuts.



Before Operation

Oil and Fuel

⚠ DANGER

POTENTIAL HAZARD

- In certain conditions gasoline is extremely flammable and highly explosive.

WHAT CAN HAPPEN

- A fire or explosion from gasoline can burn you, others, and cause property damage.

HOW TO AVOID THE HAZARD

- Use a funnel and fill the fuel tank outdoors, in an open area, when the engine is cold. Wipe up any gasoline that spills.
- Do not fill the fuel tank completely full. Add gasoline to the fuel tank until the level is 1/4 to 1/2 in. (6 mm to 13 mm) below the bottom of the filler neck. This empty space in the tank allows gasoline to expand.
- Never smoke when handling gasoline, and stay away from an open flame or where gasoline fumes may be ignited by a spark.
- Store gasoline in an approved container and keep it out of the reach of children.
- Never buy more than a 30-day supply of gasoline.

⚠ WARNING

POTENTIAL HAZARD

- Gasoline contains gasses that can build up pressure inside a gas tank.

WHAT CAN HAPPEN

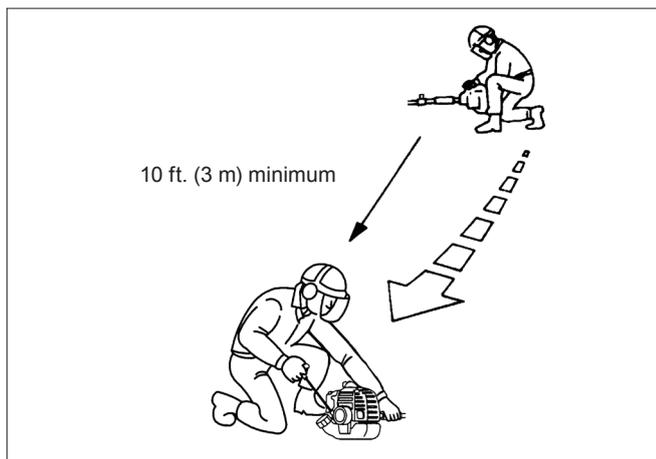
- Fuel can be sprayed on you when removing gas cap.

HOW TO AVOID THE HAZARD

- Remove fuel cap slowly to avoid injury from fuel spray.

1. Do not smoke near fuel.
2. Mix and pour fuel outdoors and where there are no sparks or flames.
3. Always shut off the engine before refueling. Never remove the fuel tank cap while the engine is running or just right after stopping the engine.

4. Always open the fuel tank cap slowly to release any possible overpressure inside the tank.
5. Do not overfill the fuel tank. Stop filling 1/4-1/2 in. (6 mm-13 mm) from the top of the tank.
6. Tighten the fuel tank cap carefully but firmly after refilling.
7. Wipe up any spilled fuel before starting the engine.
8. Move the Hedge trimmer at least 10 ft. (3m) away from the fueling location and fuel storage container before starting the engine.



Recommended Oil Type

Only use a two-stroke engine oil formulated for use in high-performance, air-cooled two-stroke engines. MARUYAMA brand two-stroke oil is formulated for use in high-performance, air-cooled two-stroke engines.

IMPORTANT: Do not use National Marine Manufacturer's Association (NMMA) or BIA certified oils. This type of two-stroke engine oil does not have the proper additives for air-cooled, two-stroke engines and can cause engine damage.

Do not use automotive motor oil. This type of oil does not have the proper additives for air-cooled, two-stroke engines and can cause engine damage.

Recommended Fuel Type

Use clean, fresh lead-free gasoline, including *oxygenated or reformulated* gasoline, with an octane rating of 89 or higher. To ensure freshness, purchase only the quantity of gasoline that can be used in 30 days. Use

of lead-free gasoline results in fewer combustion chamber deposits and longer spark plug life. Use of premium grade fuel is not necessary or recommended.

Use of Fuel Additives

IMPORTANT: NEVER USE ALCOHOL, GASOHOL CONTAINING MORE THAN 10% ALCOHOL BECAUSE ENGINE FUEL SYSTEM DAMAGE COULD RESULT.

DO NOT USE FUEL ADDITIVES OTHER THAN THOSE MANUFACTURED FOR FUEL STABILIZATION DURING STORAGE SUCH AS MARUYAMA'S STABILIZER/CONDITIONER OR A SIMILAR PRODUCT. MARUYAMA'S STABILIZER/CONDITIONER IS A PETROLEUM DISTILLATE BASED CONDITIONER/STABILIZER.

MARUYAMA DOES NOT RECOMMEND STABILIZERS WITH AN ALCOHOL BASE SUCH AS ETHANOL, METHANOL OR ISOPROPYL. ADDITIVES SHOULD NOT BE USED TO TRY TO ENHANCE THE POWER OR PERFORMANCE OF MACHINE.

Mixing Gasoline And Oil

IMPORTANT: The engine used on this Hedge trimmer is of a two-stroke design. The internal moving parts of the engine, i.e., crankshaft bearings, piston pin bearings and piston to cylinder wall contact surfaces, require oil mixed with the gasoline for lubrication.

Failure to add oil to the gasoline or failure to mix oil with the gasoline at the appropriate ratio will cause major engine damage which will void your warranty.

For your fuel premix, use MARUYAMA Premium two-stroke Oil Mix, or equivalent ISO-L-EGD & JASO FD oil with a minimum 89 octane high quality gasoline. MARUYAMA two-stroke oil is specially formulated to meet the requirements of high-performance, low-emission air-cooled two-stroke engines. Use of other oils may lead to service issues which may not be covered by your warranty.

Fuel Mixture

The fuel: oil ratio is 50 parts gasoline to 1 part oil or 50:1.



NOTE: Never use a mixing ratio less than 50:1 regardless of the oil package mixing instructions. Ratios less than 50:1, (for example, 60:1, 80:1, 100:1), reduce the amount of lubrication to the internal moving parts of the engine and can cause damage.

Fuel Mixture Chart

Gasoline	50:1 two-stroke oil
1 gallon	2.6 oz.
2 gallons	5.1 oz.
5 gallons	12.8 oz.

1 liter	20 mL
5 liters	100 mL

Mixing Instructions

IMPORTANT: Never mix gasoline and oil directly in the Hedge trimmer fuel tank.

1. Always mix fuel and oil in a clean container approved for gasoline.
2. Mark the container to identify it as fuel mix for the Hedge trimmer.
3. Use regular unleaded gasoline and fill the container with half the required amount of gasoline.
4. Pour the correct amount of oil into the container then add the remaining amount of gasoline.
5. Close the container tightly and shake it momentarily to evenly mix the oil and the gasoline before filling the fuel tank on the Hedge trimmer.
6. When refilling the Hedge trimmer fuel tank, clean around the fuel tank cap to prevent dirt and debris from entering the tank during cap removal.
7. Always shake the premix fuel container momentarily before filling the fuel tank.

8. Always use a spout or funnel when fueling to reduce fuel spillage.
9. Fill the tank only to within 1/4-1/2 in. (6 mm-13 mm) from the top of the tank. Avoid filling to the top of the tank filler neck.

Starting And Stopping

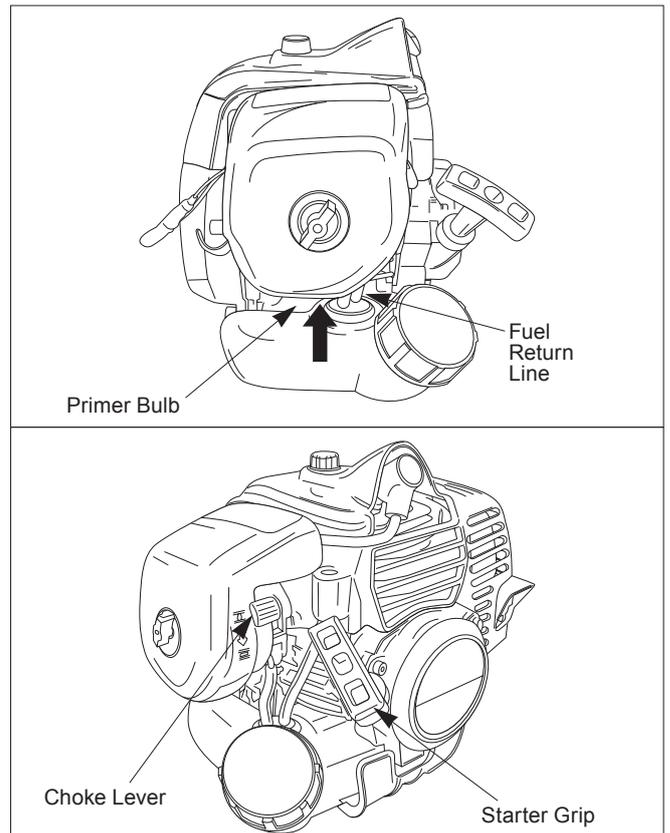
Before Starting The Engine

1. Fill the fuel tank as instructed in the Before Operation section of this manual (US-11).
2. Rest the Hedge trimmer on the ground.
3. Make sure the cutting attachment is clear of any broken glass, nails, wire, rocks or other debris.
4. Keep all bystanders, children and animals away from the working area.

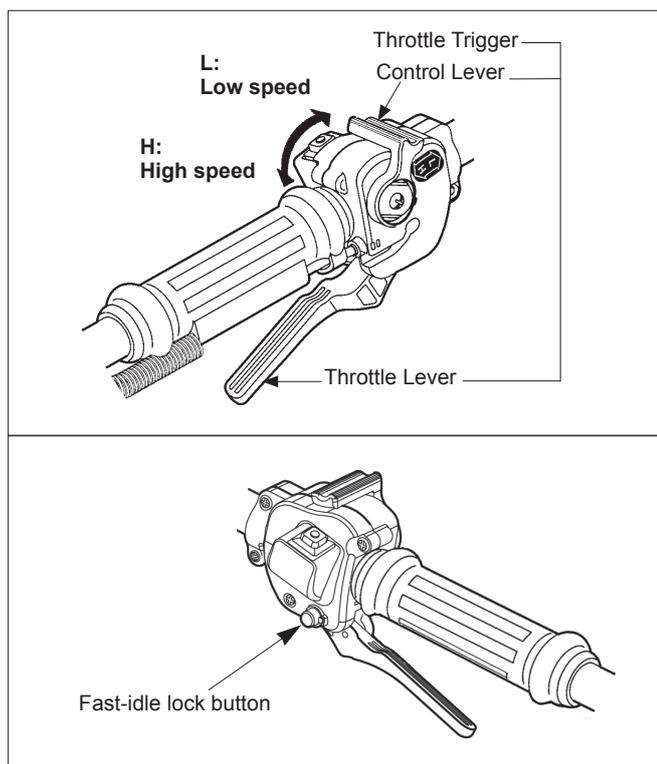
Cold Starting Procedure

This engine is equipped with a fuel primer and a choke system. To start a “cold” engine properly, perform the following procedure:

1. Pump the primer bulb at the bottom of the carburetor until fuel can be seen flowing through the fuel return line to the fuel tank. (Flowing fuel should be almost clear, not foamy or full of bubbles.)



2. Move the choke lever to the closed () position. And move the control lever to the high speed side approximately half in. from the low speed side.



3. Grasp the throttle lever then push the fast-idle lock button. Release your hand with holding the fast-idle lock button to lock the fast-idle.
4. Pull the starter grip.

5. After the engine starts, squeeze and release the throttle trigger to return it to the idle position, then move the choke lever to the open () position.

If the engine stops running before you move the choke lever to the open () position:

Go ahead and open the choke, pull the starter grip with the throttle trigger positioned at Fast-idle position.

Hot Restart

To start an engine that is already warmed up (hot restart), or if the ambient temperature exceeds 68°F (20°C):

1. Pump the primer bulb at the bottom of the carburetor until fuel can be seen flowing through the fuel return line to the fuel tank. (Flowing fuel should be almost clear, not foamy or full of bubbles.)
2. Move the choke lever to the open () position.
3. Leave the throttle trigger in the idle position and pull the starter grip.
4. If the engine fails to start after three to four pulls, follow the instruction in the Cold Starting Procedure section (US-13).

If the engine fails to start after you follow the above procedures, contact an authorized MARUYAMA dealer.

WARNING

POTENTIAL HAZARD

- The components of your recoilstarter assembly are under high spring tension. If improperly disassembled these parts may strike you with considerable force, possibly causing personal injury.

WHAT CAN HAPPEN

- Contact with the parts can cause severe personal injury.

HOW TO AVOID THE HAZARD

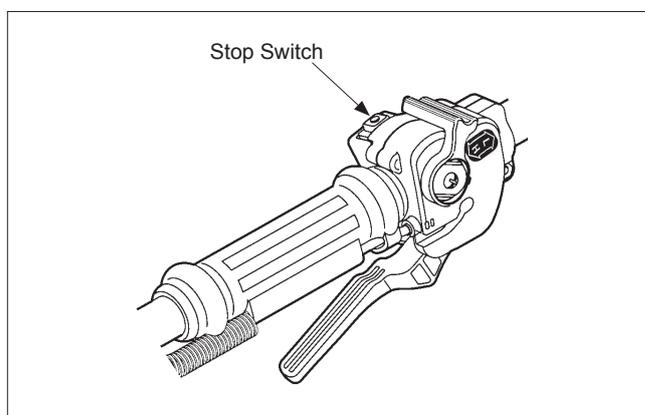
- Never attempt to disassemble your recoil starter assembly yourself. Always consult your authorized MARUYAMA dealer for repair by qualified service technicians.

CAUTION

- Do not pull the Starter rope all the way out.

To Stop The Engine

1. Release the throttle lever.
2. Push the stop switch of the throttle trigger until the engine will stop.

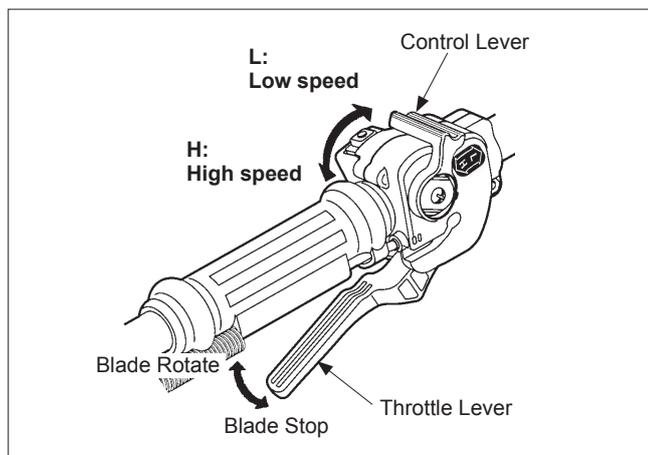


Instruction of the throttle trigger

Start the blade rotation

1. Grasp the throttle lever.
2. Move the control lever to high speed side slowly.
3. Then engine speed increase gradually, and the blade starts rotation.
4. Adjust the blade rotational speed by the control lever.

Note: Engine speed does not increase by grasping the throttle lever. If the control lever is positioned at low speed side fully.



Stop the blade rotation

1. The engine speed will down to idling by moving the control lever to low speed position fully, or releasing the throttle lever.
2. If you did not change the control lever position, engine speed become to the original adjusted speed when grasp the throttle lever again.

Operation

⚠ CAUTION

- Read the Safety instructions on page US-7 concerning proper use of the Hedge Trimmer.

Operating Position

Before using the Hedge Trimmer, check the following.

1. The Hedge trimmer should be on the operator's right side.

2. The operator's right hand should be holding the shaft grip, with his or her fingers on the throttle trigger. The right arm should be slightly bent.
3. The left hand should be holding the shaft grip with the fingers.
4. The Hedge Trimmer weight should be evenly distributed between the arms. Before using the Hedge trimmer check the following:
5. Make sure the blades are moving (at least half throttle) before actual cutting begins. The Hedge Trimmer performs best at full throttle.

⚠ CAUTION

- Do not touch the sharpened edges of the cutting blades. The cutting blades are extremely sharp and dangerous at all times. Always wear gloves to help protect your hands and fingers from injury.

6. Always release the throttle trigger and allow the engine to return to idle speed when not cutting.
 7. Stop the engine when moving between work sites.
- If the cutting blades becomes jammed, stop the engine immediately.
 - Make certain all moving parts have stopped and disconnect the spark plug before inspecting the equipment for damage.
 - Never use a Hedge Trimmer that has chipped, cracked or broken Blades.

⚠ CAUTION

- The thickness of branches which may be cut using this trimmer is limited to up to approximately 3/16 in. (4.8 mm). Never try to cut branches thicker than this, as doing so may result in damage to the trimmer.

Maintenance

Maintenance, replacement or repair of emission control devices and systems may be performed by any repair establishment or individual; however, warranty repairs must be performed by a dealer or service center authorized by MARUYAMA Manufacturing Company, Inc. The use of parts that are not equivalent in performance and durability to authorized parts may impair the effectiveness of the emission control system and may have a bearing on the outcome of a warranty claim.

Maintenance on today's low-emission engines is even more critical for longest life and best performance. Particularly critical are air and fuel filters, spark plug heat range, cooling air intake area and proper gaps of coil and plug.

Idle Speed Adjustment

This Hedge trimmer is equipped with non-adjustable fuel mixture carburetor. The engine idle speed is the only adjustment for the operator.

⚠ WARNING

- Idle speed adjustment should be checked each time the unit is operated.

⚠ WARNING

POTENTIAL HAZARD

- Engine must be running to make carburetor adjustments.
- When engine is running, blades are moving and other parts are moving.

WHAT CAN HAPPEN

- Contact with moving blades or other moving parts could cause serious personal injury or death.

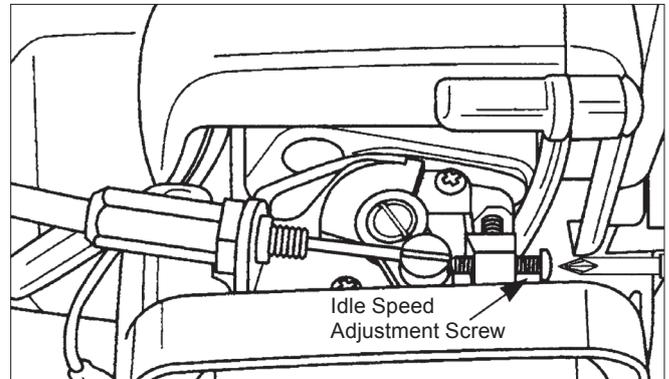
HOW TO AVOID THE HAZARD

- Keep hands, feet and clothing away from blade moving and other moving parts.
- Keep all bystanders and pets away from unit while making carburetor adjustments.

The cutting blades may be moving during idle speed adjustment. Wear the recommended personal protective equipment and observe all safety instructions. Keep hands and body away from the blades.

When the throttle trigger is released, the engine should return to an idle speed between 2700 - 3300 RPM, or just below the clutch engagement speed. The blades must not move and the engine should not stall (stop running) at engine idle speed.

To adjust the engine idle speed, rotate the idle speed adjustment screw on the carburetor.



- Turn the idle speed screw in (clockwise) to increase the engine idle speed.
- Turn the screw out (counter-clockwise) to decrease the engine idle speed.

If idle speed adjustment is necessary, and after adjustment the blade moving or the engine stalls, stop using the Hedge Trimmer immediately!

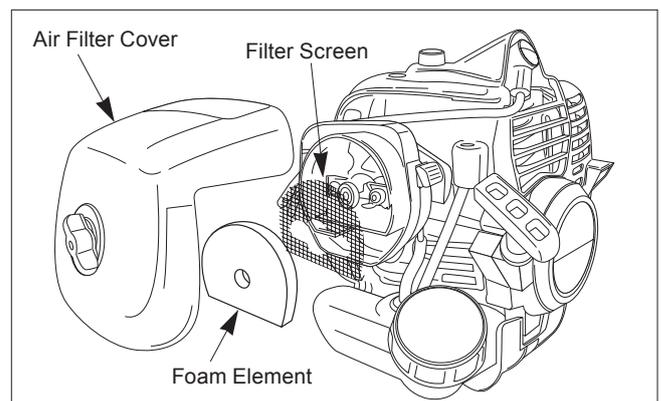
Contact your local authorized MARUYAMA Dealer for assistance and servicing.

Air Filter

Maintenance Interval

- The air filter should be cleaned **daily**, or more often when working in extremely dusty conditions.
- Replace after every 100 hours of operation.

Air Filter Cleaning



1. Loosen the knob and remove the air filter cover.
2. Remove the foam element and filter screen from the air filter body.
3. Clean the foam element and filter screen with warm, soapy water. Let the screen and element dry completely.
4. Apply a light coat of motor oil (SAE 30 or equivalent viscosity) to the foam element and squeeze out all excess oil.
5. Reassemble the filter screen and foam element to the air filter body.
6. Reinstall the air filter cover and tighten the knob.

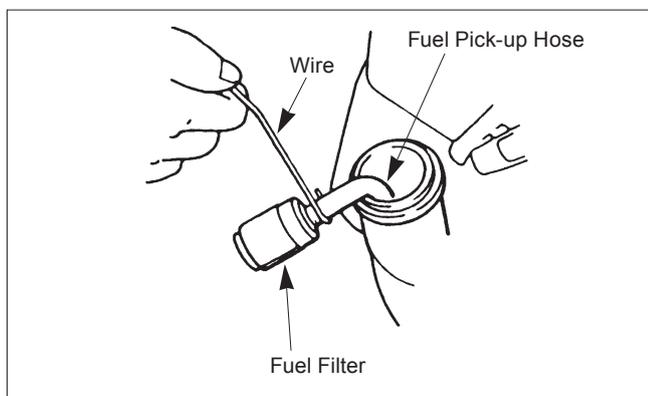
Fuel Filter

Maintenance Interval

- The fuel filter should be replaced after every 100 hours of operation.
- Fuel filters needing more frequent replacement may indicate debris in fuel tank.

Fuel Filter Replacement

The fuel filter is attached to the end of the fuel pick-up hose inside the fuel tank.



To replace the fuel filter:

1. Make sure the fuel tank is empty.
2. Remove the fuel cap.
3. Using a wire hook, gently pull the fuel filter out through the fuel filler opening.

Use caution not to “fishhook” the fuel hose. Replace immediately if punctured!

4. Grasp the fuel hose next to the fuel filter fitting and remove the filter, but do not release the hose.

5. While still holding on to the fuel hose, attach the new fuel filter.
6. Drop the new fuel filter back into the fuel tank.
7. Make sure that the fuel filter is not stuck in a corner of the tank, and that the fuel hose is not doubled over (kinked) before refueling.

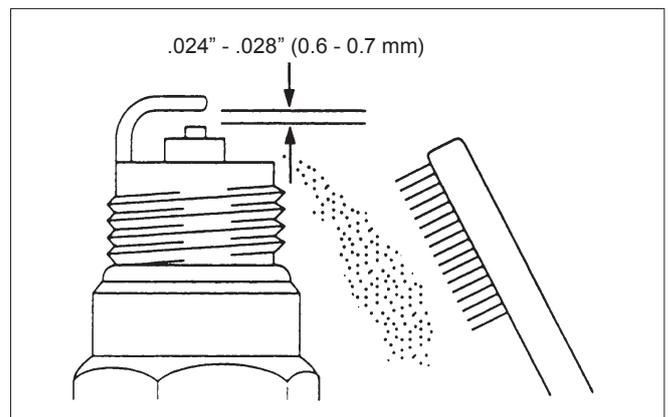
Spark Plug

Maintenance Interval

- The spark plug should be removed from the engine and checked after each 25 hours of operation.
- Replace the spark plug after every 100 hours of operation.

Spark Plug Maintenance

1. Twist the high tension lead boot on the spark plug back and forth a couple of times to loosen the boot, then pull the boot off of the spark plug.
2. Remove the spark plug.
3. Clean the electrodes with a stiff brush.



4. Adjust the electrode air gap to .024-.028 in. (0.6-0.7 mm).
5. Replace the spark plug if it is oil-fouled, damaged, or if the electrodes are worn down.
6. Do not overtighten the spark plug when installing. The tightening torque is 95-148 in-lbs. (10.7-16.6 N·m).
7. Always use only the specific heat range of spark plug. This is particularly critical with today’s low-emission engines. For best results, use the exact replacement.

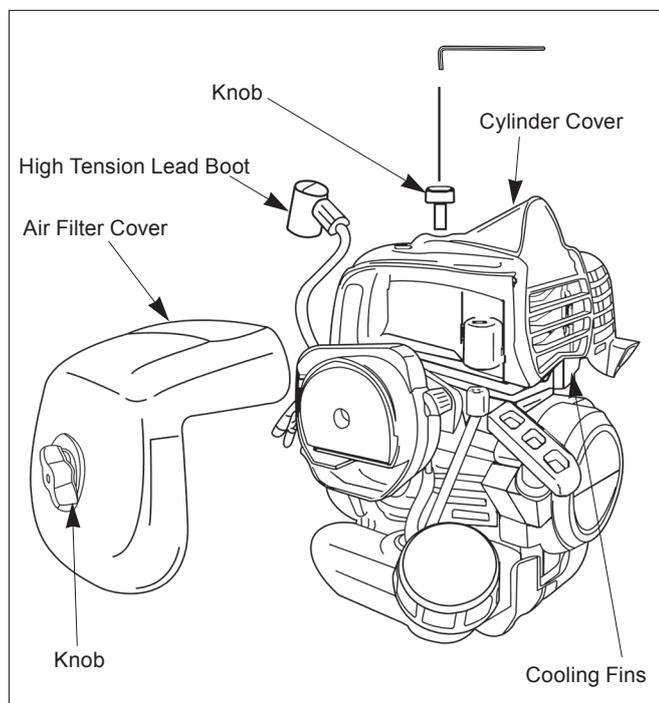
Cylinder Cooling Fins

Maintenance Interval

- The cylinder cooling fins should be cleaned after every 25 hours of operation, or once a week, whichever comes first.
- Air must flow freely around and through the cylinder cooling fins to prevent engine overheating. Leaves, grass, dirt and debris buildup on the fins will increase the operating temperature of the engine, which can reduce engine performance and shorten engine life.

Cooling Fin Cleaning

1. With the engine at ambient (room) temperature, loosen the knob and remove the air filter cover.



2. Twist the high tension lead boot on the spark plug back and forth a couple of times to loosen the boot, then pull the boot off of the spark plug.
3. Loosen the knob and lift off the cylinder cover.
4. Clean all dirt and debris from the cooling fins and from around the cylinder base.
5. DO NOT overlook cleaning of the cooling air intake area below the crankcase and above the fuel tank! This area must be free of debris and obstruction for the engine to cool properly.
6. Reinstall the cylinder cover and the air filter cover.

Spark Arrester

⚠ WARNING

POTENTIAL HAZARD

- Muffler surface becomes hot when Hedge trimmer is in operation and remains hot for sometime after the engine is shut off.

WHAT CAN HAPPEN

- Contact with hot muffler surfaces could cause a burn.

HOW TO AVOID THE HAZARD

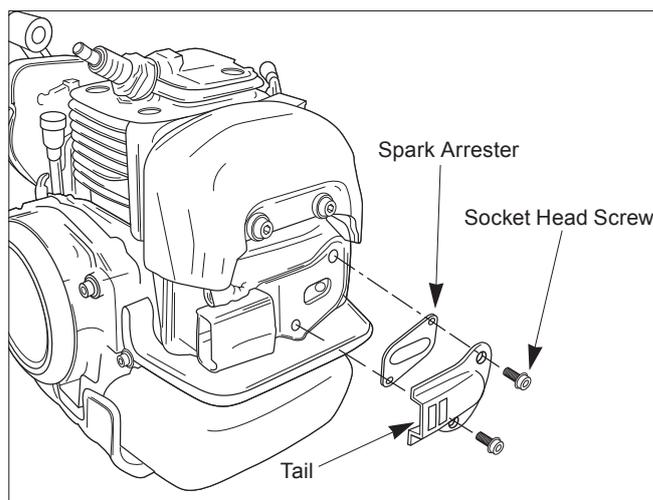
- Make sure the muffler is cool before inspecting and cleaning the spark arrester.

Maintenance Interval

- The spark arrester should be inspected and cleaned after every 25 hours of use.
- Replace the screen if it cannot be thoroughly cleaned, or if it is damaged.

Spark Arrester Maintenance

1. With the engine at ambient (room) temperature, loosen the knob and remove the air filter cover.
2. Twist the high tension lead boot on the spark plug back and forth a couple of times to loosen the boot, then pull the boot off of the spark plug.



3. Loosen the knob and lift off the cylinder cover.
4. Remove and clean the tail, gasket and spark arrester with a safety solvent and a stiff brush. If any part cannot be thoroughly cleaned, it must be replaced.

- Reinstall the spark arrester and tail onto the muffler, then reinstall and tighten the two socket head screws.
- Reinstall the cylinder cover and the air filter cover.

Exhaust Muffler

Maintenance Interval

The muffler should be inspected and cleaned after each 100 hours of use.

Muffler Maintenance

- With the engine at ambient (room) temperature, loosen the knob and remove the air filter cover.
- Twist the high tension lead boot on the spark plug back and forth a couple of times to loosen the boot, then pull the boot off of the spark plug.
- Loosen the knob and lift off the cylinder cover.
- Remove the spark arrester (see spark arrester maintenance), Clean the muffler with a stiff brush.

IMPORTANT: Don't use solvent for cleaning inside of muffler, because of the catalytic converter in muffler.

Be careful not to allow any dirt or debris to fall into the exhaust port, as this can cause engine damage.

- Reinstall the spark arrester and tail onto muffler, then reinstall and tighten the two socket head screws.
- Reinstall the cylinder cover and the air filter cover.

Adjusting Cutting Blades

⚠ CAUTION

- DO NOT TOUCH THE SHARPENED EDGES OF THE CUTTING BLADES. THE CUTTING BLADES ARE EXTREMELY SHARP AND DANGEROUS AT ALL TIMES.**

Maintenance Interval

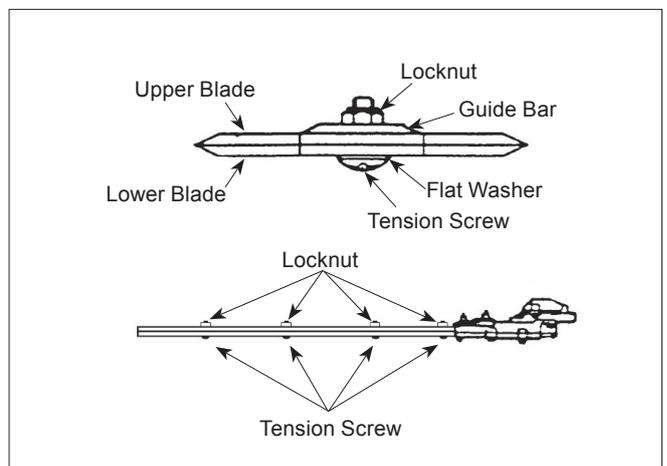
Before operating the power Hedge Trimmer it is necessary to check the adjustment of the cutting blades. Blades that are too loose may vibrate, and will not provide a clean, smooth cut.

Cutting Blades Maintenance

CAUTION : BLADES THAT ARE TOO TIGHT CAN CAUSE OVERLOADING WHICH MAY DAMAGE THE EQUIPMENT.

To adjust the cutting blades, refer to the illustrations and locate the tension screws.

Loosen the tension screw locknuts. Gently turn the tension screws in until snug, then turn the tension screws back out 1/4-1/2 turn. While holding the screws in place, tighten the locknuts. Liberally coat the cutting blades with light oil. Start the engine and operate the Hedge Trimmer at full speed for at least one minute. Stop the engine, and when the blades are motionless, check the blade temperature carefully. The blades may be warm, but if they are too hot to touch, loosen the tension screws 1/8 turn.



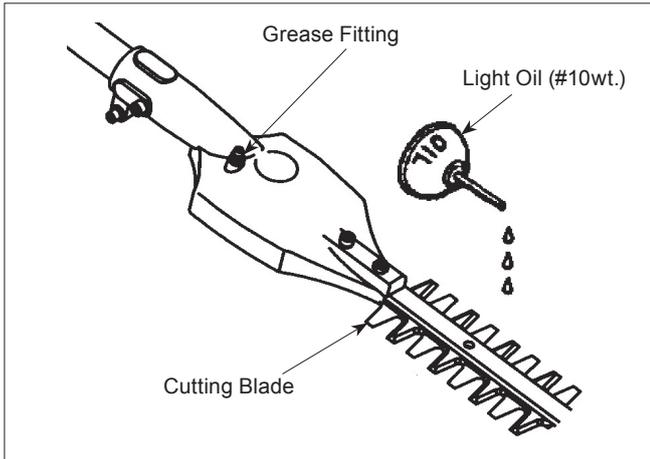
Lubrication

Maintenance Interval

The gearcase should be inspected after each 10 hours of use. Cutting blades should be lubricated at all times.

Lubrication

The gearcase should be checked for lubrication after each 10 hours of use. Grease fittings are installed into both components. Use #2 lithium base bearing lubricant.



Lubrication of the cutting blades should be maintained at all times. Use a light oil (#10wt.).

General Cleaning and Tightening

⚠ WARNING

POTENTIAL HAZARD

- When engine is running, Attached Tool is rotating/moving and other parts are moving.

WHAT CAN HAPPEN

- Contact with moving Tool or other moving parts could cause serious personal injury or death.

HOW TO AVOID THE HAZARD

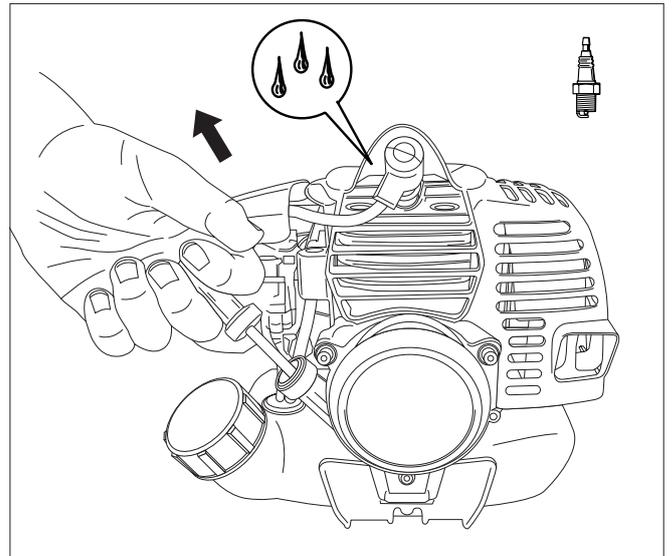
- Always turn off your Hedge trimmer before you clean or perform any maintenance on it.

The MARUYAMA Hedge trimmer will provide maximum performance for many, many hours if it is maintained properly. Good maintenance includes regular checking of all fasteners for correct tightness and cleaning the entire machine.

Storage

For long term storage of the Hedge trimmer:

1. Empty the fuel tank into a suitable fuel storage container.
2. Pump the primer bulb on the carburetor until all fuel is discharged through the clear fuel return hose.
3. Run the engine to remove any fuel that may remain in the carburetor.
4. Perform all regular maintenance procedures and any needed repairs.
5. Remove the spark plug and squirt a very small amount of oil into the cylinder.
6. Pull the starter grip once.
7. Slowly pull the starter grip to bring the piston to the top of the cylinder (TDC).
8. Reinstall the spark plug.
9. Store the Hedge trimmer in a dry place away from excessive heat, sparks or open flame.



⚠ CAUTION

POTENTIAL HAZARD

- Oil may squirt out of the spark plug opening when you pull the starter grip.

WHAT CAN HAPPEN

- Oil can cause eye injuries.

HOW TO AVOID THE HAZARD

- Protect your eyes and keep your face away from the spark plug opening.

Troubleshooting

Problem	Cause	Action
Engine Will Not Start	<ul style="list-style-type: none"> • Empty fuel tank • Primer bulb wasn't pushed enough • Engine flooded 	<ul style="list-style-type: none"> • Fill fuel tank • Press primer bulb until fuel flows through fuel return line • Use warm engine starting procedure
Engine Will Not Idle	Idle speed set incorrectly	Set idle speed
Engine Lacks Power or Stall When Cutting	<ul style="list-style-type: none"> • Throttle wire has come loose • Dirty air filter • Clogged spark arrester or exhaust port 	<ul style="list-style-type: none"> • Tighten throttle wire • Clean or replace air filter • Clean spark arrester or exhaust port

If further assistance is required, contact your local authorized MARUYAMA service dealer.

Maintenance Period

Maintenance	Daily	Every 25 hours	Every 50 hours	Every 100 hours
Check and replenish fuel	●			
Check for fuel leakage	●			
Check bolts, nuts and screws for tightness or missing	●			
Check engine idle speed adjustment	●			
■ Clean air filter element	●			
Clean spark plug and adjust electrode gap		●		
■ Remove dust and dirt from cylinder fins		●		
● Clean spark arrester		●		
Tighten bolts and nuts			●	
● Remove carbon deposits in exhaust port			●	
Replace fuel filter				●
● Remove carbon deposits on piston head and combustion chamber				●
● Remove carbon deposits in transfer port				●
Replace fuel tube, fuel tank cap gasket	It is recommended to replace every 3 years			

●: Service to be performed by an authorized MARUYAMA engine dealer.

■: Service more frequently under dusty conditions.

NOTE:

The service intervals indicated are to be used as a guide.

Service to be performed more frequently as necessary depending on operating condition.

Use MARUYAMA standard 50:1 two-stroke engine oil.



Declaración de garantía limitada

Todos los productos Maruyama están garantizados al comprador original de estar libres de defectos en materiales o fabricación **desde la fecha de compra** durante los siguientes periodos:

Para la vida de uso de ejes de acero sólido y las bobinas de arranque.

Garantía comercial Iron 5™ de **5 años** de uso.

2 años para uso residencial y uso comercial con aceite de otra marca.

90 días para uso de alquiler.

Motor – referirse al texto de garantía del fabricante del motor. Fabricado por Maruyama Los motores Maruyama están cubiertos por esta garantía limitada.

Cualquier parte del producto Maruyama que se determine defectuoso durante el periodo aplicable de garantía será, a discreción de Maruyama, reparada o reemplazada, sin costo. Durante el proceso de garantía se tomará en consideración el producto de Maruyama que se considere defectuoso y que sea entregado a un servicio autorizado de Maruyama durante el periodo aplicable de la garantía.

No se cobrará al comprador por la tarea de diagnóstico que determine que una pieza en garantía es defectuosa, si se realiza en un centro de distribución de Maruyama. Cualquier pieza en garantía cuyo cambio no esté programado como mantenimiento necesario, o que esté programada sólo para revisión ordinaria con vistas a su “reparación o cambio según sea necesario” estará cubierta durante el periodo de garantía. Cualquier pieza en garantía, cuyo cambio esté programado dentro del mantenimiento necesario, estará cubierta hasta el primer cambio programado que le corresponda. Maruyama Mfg Co., Inc. es responsable de los daños ocasionados a otros componentes del motor por el fallo de una pieza que aún esté en garantía. El comprador es responsable de realizar las tareas de mantenimiento necesarias tal y cómo se definen en el MANUAL DEL PROPIETARIO U OPERADOR de Maruyama Mfg Co., Inc.

GARANTÍAS DE PARTES RELACIONADAS A EMISIONES: Además de dicha cobertura, Maruyama MFG. Co., Inc., reparará o reemplazará, sin costo, al comprador original, y cada comprador subsiguiente, cualquier parte(s) relacionada(s) a emisiones determinadas de ser defectuosas en materiales o fabricación durante cinco (5) años a partir de la fecha de entrega. **Partes relacionadas a emisiones incluyen la bobina completa de arranque, el rotor de arranque, la bujía, el convertidor catalítico en el depósito de combustible.** Cualquier parte de reemplazo de comparable desempeño y durabilidad se pueden utilizar en manutención y reparación y esto no disminuirá la obligación de garantía de Maruyama MFG. Co., Inc.

ESTA GARANTÍA NO CUBRE:

1. Partes de mantenimiento (incluso defectos en materiales y fabricación), incluso mangueras, bujías, cuerdas de arranque, filtros de aire y combustible, zapatos de embrague, amortiguadores de vibración, cables de acelerador, y todos los accesorios de corte.
2. Gastos suplementarios, incluso envío y manejo, viaje, pago de pérdida de tiempo, o pago por inconveniencia y almacenamiento.
3. Alteraciones o modificaciones incluso respuestos genéricos no autorizados por Maruyama.
4. Desgaste, accidentes, abuso, uso incorrecto, negligencia, combustibles, lubricantes, mezclas de combustible inadecuadas (cuando sea aplicable), o no realizar mantenimiento u operación del producto de acuerdo a las instrucciones aprobadas por Maruyama.

La reparación o cambio según lo estipulado en la presente garantía es la única solución del usuario. Maruyama no se hará responsable de ningún daño fortuito o consecuencial del incumplimiento de cualquier garantía expresa o implícita de estos productos salvo hasta el límite estipulado por la legislación aplicable. Cualquier garantía implícita de comerciabilidad o idoneidad para un fin particular de estos productos se restringe al período de garantía tal y cómo se define en la declaración de garantía limitada. Maruyama se reserva el derecho a modificar o mejorar el diseño del producto sin previo aviso y no asume ninguna obligación de actualizar los productos previamente fabricados.

Esta garantía le ofrece derechos legales específicos, que pueden variar de un Estado a otro.

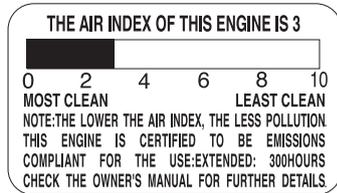
El propietario y el distribuidor se responsabilizarán de que la Tarjeta de registro de garantía sea correctamente cumplimentada y enviada a Maruyama U.S., Inc. Para obtener el servicio de garantía se solicitará una prueba de compra o registro.

Para encontrar al distribuidor autorizado de Maruyama más cercano, contacte con:

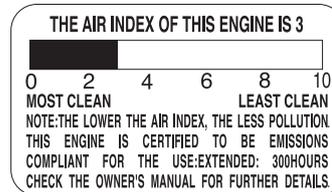
Maruyama U.S., Inc.
4770 Mercantile Drive, suite100,
Fort Worth, TX 76137 U.S.A.
(940)383-7400
maruyama@maruyama-us.com
www.maruyama-us.com

⚠️ ADVERTENCIA: ⚠️

La utilización, las tareas de reparación y de mantenimiento de este producto pueden exponerle a sustancias químicas como gases de escape del motor, monóxido de carbono, ftalatos y plomo, las cuales han sido reconocidas por el Estado de California como posibles causas de cáncer, malformaciones congénitas u otros daños reproductivos. Para reducir la exposición a estas sustancias químicas, no inhale los gases de escape, repare el equipo en una zona bien ventilada y póngase guantes o lávese las manos con frecuencia cuando lo repare. Para más información, visite la página web: www.P65warnings.ca.gov.



EH230D



EH270D-S

DECLARACIÓN DE GARANTÍA DEL CONTROL FEDERAL DE EMISIONES. DERECHOS Y OBLIGACIONES DERIVADOS DE LA GARANTÍA

La Agencia para la protección ambiental de EE.UU. (EPA) y Maruyama Manufacturing Company, Inc. se complacen en explicar la **garantía del sistema de control de emisiones** de su pequeño motor no destinado a la automoción. Los nuevos modelos de motor pequeño de 1997 y posteriores, no destinados a la automoción, deben estar diseñados, fabricados y equipados, en el momento de venta, para cumplir las normas de la EPA de EE.UU. El motor debe estar libre de defectos en los materiales y de fabricación que provoquen el incumplimiento de las normas de la EPA durante los cinco primeros años de uso del motor a partir de la fecha de venta inicial hasta el último comprador. Maruyama Manufacturing Company, Inc. ha de garantizar el sistema de control de las emisiones en el pequeño motor durante el período anteriormente citado siempre y cuando no haya ningún uso indebido, negligencia o mantenimiento incorrecto del mismo.

Período de durabilidad de emisiones: 300 horas.

Su sistema de control de emisiones puede incluir piezas como el carburador o el sistema de inyección de combustible, el sistema de encendido y el convertidor catalítico. También puede incluir tubos flexibles, correas y conectores y otros sistemas relacionados con las emisiones.

Cuando exista una condición cubierta por la garantía, Maruyama Manufacturing Company, Inc. reparará gratuitamente el pequeño motor no destinado a la automoción, incluido el diagnóstico (si se realiza en un centro de distribución autorizado), piezas y mano de obra.

COBERTURA DE LA GARANTÍA DEL FABRICANTE:

Los modelos de motor pequeño de 1997 y posteriores, no destinados a la automoción, están garantizados durante cinco años. Si cualquier pieza de su motor relacionada con las emisiones es defectuosa, Maruyama Manufacturing Company, Inc. la reparará o cambiará gratuitamente.

RESPONSABILIDADES DEL PROPIETARIO DERIVADAS DE LA GARANTÍA:

(a) Como propietario del motor arriba mencionado, usted es responsable de realizar las tareas de mantenimiento necesarias enumeradas en el manual del propietario u operador.

Maruyama Manufacturing Company, Inc. recomienda conservar todos los recibos del mantenimiento del motor, pero no puede negar la aplicación de la garantía sólo porque usted carezca de recibos o no asegure la ejecución de todas las tareas de mantenimiento programadas.

Se permite el uso de cualquier pieza de repuesto o mantenimiento equivalente en prestación y durabilidad en el mantenimiento o reparaciones no cubiertas por la garantía, no reduciendo este hecho las obligaciones del fabricante del motor derivadas de la garantía.

(b) Como propietario, debería saber, sin embargo, que Maruyama Manufacturing Company puede negarle la cobertura de la garantía si el motor o la pieza no funcionan por el uso indebido, negligencia, mantenimiento incorrecto o modificaciones no autorizadas.

(c) Usted es responsable de llevar el motor a un centro de asistencia de Maruyama Manufacturing Company, Inc. tan pronto como exista un problema. Las reparaciones cubiertas por la garantía deberían completarse en un período de tiempo razonable, no superior a 30 días.

Si tiene preguntas relacionadas con los derechos y responsabilidades derivadas de la garantía, contacte con Maruyama U.S., Inc. en el número: **1-866-783-7400**, o warranty@maruyama-us.com.

COBERTURA

Maruyama Manufacturing Company, Inc. garantiza al comprador último y a cada comprador posterior que el pequeño motor no destinado a la automoción estará diseñado, fabricado y equipado, en el momento de venta, para cumplir con toda la normativa aplicable. Maruyama Manufacturing Company, Inc. también garantiza al comprador inicial y a cada comprador posterior que el motor está libre de defectos de fabricación y en los materiales, que le impidan cumplir las normas aplicables durante un período de cinco años.

La Agencia de protección ambiental (EPA) obliga a los fabricantes de este tipo de motores a cumplir la normativa durante cinco años. Estos períodos de garantía se iniciarán en la fecha en que el comprador inicial adquiera el pequeño motor no destinado a la automoción. Si cualquier pieza del motor relacionada con las emisiones es defectuosa, Maruyama Manufacturing Company, Inc. la cambiará gratuitamente.

Maruyama Manufacturing Company, Inc. resolverá los defectos cubiertos por la garantía en cualquier centro de garantía o de distribución de motores de Maruyama Manufacturing Company, Inc. autorizado. Cualquier tarea autorizada realizada en un centro de garantía o de distribución autorizado será gratuita si determina que una pieza en garantía es defectuosa. Para cualquier tarea de mantenimiento o reparación de piezas relacionadas con las emisiones, cubierta por la garantía puede utilizarse cualquier pieza de repuesto homologada por el fabricante o equivalente, y debe realizarse gratuitamente si la pieza aún está en garantía. Maruyama Manufacturing Company, Inc. es responsable de los daños ocasionados a otros componentes del motor por el fallo de una pieza en garantía.

EPA estima que las piezas garantizadas relacionadas con las emisiones incluyen todas las que figuran a continuación. Piezas garantizadas: el carburador, la bobina de encendido, el rotor de encendido, la bujía, el convertidor catalítico y el depósito de combustible.

MANTENIMIENTO NECESARIO

El propietario es responsable de realizar las tareas de mantenimiento necesarias tal y cómo se definen en el manual del propietario u operador de Maruyama Manufacturing Company, Inc.

LIMITACIONES

Esta Garantía propietario u operador de control de emisiones no cubrirá lo siguiente:

- (a) ninguna reparación o cambio necesarios por el uso indebido o negligencia, falta de mantenimiento requerido, reparaciones incorrectamente realizadas o cambios que no cumplan las especificaciones de Maruyama Manufacturing Company, Inc. que repercutan adversamente en el rendimiento o durabilidad, y alteraciones o modificaciones no recomendadas o aprobadas por escrito por Maruyama Manufacturing Company, Inc., y
- (b) ningún cambio de piezas y otros servicios y ajustes necesarios para el mantenimiento requerido en y después del primer cambio programado.

Parte II: DECLARACIÓN DE GARANTÍA DE CONTROL DE EMISIONES EN CALIFORNIA

DECLARACIÓN DE GARANTÍA DE CONTROL DE EMISIONES DE ESCAPE Y EVAPORATIVAS EN CALIFORNIA DERECHOS Y OBLIGACIONES EN EL MARCO DE SU GARANTÍA

La Junta de Recursos aéreos de California y la empresa Maruyama Manufacturing Company, Inc. se complacen en explicar la garantía del sistema de control de emisiones de escape y evaporativas (emisiones) de su pequeño motor 2020 no destinado a la automoción. En California, los nuevos equipos que utilicen pequeños motores no destinados a la automoción deben ser diseñados, construidos y equipados de forma que cumplan los estrictos estándares de este Estado en materia de contaminación. Maruyama Manufacturing Company, Inc. debe garantizar el sistema de control de emisiones de su pequeño motor no destinado a la automoción durante los períodos indicados más abajo siempre que no se haya producido un mal uso, una negligencia o un mantenimiento inadecuado de su pequeño motor o del equipo que provoque el fallo del sistema de control de emisiones.

El sistema de control de emisiones puede incluir piezas como el carburador o el sistema de inyección de combustible, el sistema de encendido, el convertidor catalítico, depósitos de combustible, conductos de combustible (para combustible líquido y vapores del combustible), tapones del combustible, válvulas, depósitos, filtros, abrazaderas y otros componentes asociados. También puede incluir manguitos, correas, conectores y otros elementos relacionados con las emisiones.

La lista de piezas que cubre la garantía contra emisiones evaporativas incluirá todas las piezas cuya avería provocaría un aumento de este tipo de emisiones, y puede comprender, aunque no taxativamente, las piezas siguientes: el depósito de combustible, el tapón del combustible, los conductos de combustible (para combustible líquido y vapores del combustible), las conexiones del conducto de combustible, las válvulas de retorno, las válvulas de control, los diafragmas de control de vacío, las válvulas de purga, el conector del puerto de purga del carburador.

Maruyama Manufacturing Company, Inc. reparará su pequeño motor gratuitamente, incluidos los gastos de diagnóstico, piezas y mano de obra, cuando se produzca una situación cubierta por la garantía.

COBERTURA DE LA GARANTÍA DEL FABRICANTE:

El sistema de control de emisiones evaporativas y de escape de su pequeño motor no destinado a la automoción está cubierto por una garantía de cinco años. Maruyama Manufacturing Company, Inc. reparará o reemplazará cualquier pieza del motor relacionada con las emisiones que resulte defectuosa.

RESPONSABILIDADES DEL PROPIETARIO DERIVADAS DE LA GARANTÍA:

- Como propietario del pequeño motor no destinado a la automoción, usted es responsable de realizar el mantenimiento necesario indicado en el manual del propietario. Maruyama Manufacturing Company, Inc. le recomienda conservar todos los recibos del mantenimiento del pequeño motor, pero Maruyama Manufacturing Company, Inc. no podrá rechazar la cobertura de la garantía por el mero hecho de que usted no disponga de los recibos o porque usted no se haya asegurado de realizar todas las tareas de mantenimiento programadas.
- Como propietario del pequeño motor no destinado a la automoción, usted debería saber, no obstante, que Maruyama Manufacturing Company, Inc. puede denegarle la cobertura de la garantía si su pequeño motor o una pieza se ha averiado por el mal uso, negligencia, o mantenimiento inadecuado o por modificaciones no autorizadas.
- Usted es responsable de llevar su pequeño motor no destinado a la automoción a un centro de servicios o de distribución de Maruyama Manufacturing Company, Inc. tan pronto como detecte un problema. Las reparaciones cubiertas por la garantía se completarán en un período razonable de tiempo, no superior a un mes.

Si tiene preguntas relativas a los derechos y responsabilidades que usted tiene en el marco de la garantía, debería contactar con Maruyama Manufacturing Company, Inc. llamando al número: **1-866-783-7400**, o enviando un mensaje a la siguiente dirección de correo electrónico: warranty@maruyama-us.com.

La lista de piezas relacionadas con las emisiones **evaporativas** y cubiertas por la garantía incluirá todas las piezas cuya avería provocaría un aumento de las emisiones evaporativas, y puede incluir, aunque no taxativamente, las piezas siguientes:

- (1) Depósito de combustible
- (2) Tapón de combustible
- (3) Conductos de combustible (para combustible líquido y vapores del combustible)
- (4) Conexiones del tubo de combustible
- (5) Válvulas de retorno
- (6) Válvulas de control
- (7) Diafragmas de control del vacío
- (8) Válvulas de purga
- (9) Conector del puerto de purga del carburador

La lista de piezas relacionadas con las emisiones de **escape** y cubiertas por la garantía incluirá todas las piezas cuya avería provocaría un aumento de las emisiones de escape, y puede incluir, aunque no taxativamente, las piezas siguientes:

- (1) Dispositivo de dosificación de combustible
 - (A) Carburador y piezas internas
- (2) Sistema de aumento de propulsión para arranque en frío
- (3) Sistema controlado de entrada de aire caliente
- (4) Filtro de aire
- (5) Sistema de encendido
- (6) Bujía de encendido
- (7) Sistema de encendido electrónico o electromagnético
- (8) Sistema de retardo/ avance del encendido
- (9) Sistema de recirculación de gases de escape (EGR, por sus siglas en inglés)
- (10) Cuerpo de válvula EGR y arandela del carburador, si es necesaria
- (11) Bomba de aire o válvula de pulsos

Contenido

	Page ES-
Declaración de garantía limitada.....	1
CONTROL FEDERAL DE EMISIONES.....	3
CONTROL DE EMISIONES EN CALIFORNIA.....	4
Contenido.....	6
Introducción.....	6
Seguridad.....	7
Seguridad del operador.....	7
Seguridad de el cortasetos.....	7
Seguridad del combustible.....	8
Seguridad de operación de el cortasetos.....	8
Descripción del producto.....	9
Símbolos Adhesivos de Seguridad.....	9
Montaje.....	10
Montaje del motor y el Conjunto eje.....	10
Conexión del los cables del interruptor de parada ...	10
Conexión del los el cable del acelerador.....	10
Instalación del manillar en forma.....	11
Antes De Utilizar.....	11
Aceite y Combustible.....	11
Mezcla de Gasolina y Aceite.....	12
Arranque y parada.....	13
Instrucción del gatillo del acelerador.....	15
Uso.....	15
Posición de funcionamiento.....	15
Mantenimiento.....	16
Ajuste de la Velocidad del Ralentí.....	16
Filtro de Aire.....	17
Filtro de Combustible.....	17
Bujía.....	18
Aletas del cilindro de refrigeración.....	18
Matachispas.....	19
Silenciador de escape.....	19
Cómo ajustar las cuchillas de corte.....	20
Mantenimiento de las cuchillas.....	20
Lubricación.....	20
El general limpiando y apretándose.....	21
Almacenaje.....	21
Problemas.....	22
Período de mantenimiento.....	22
Especificaciones.....	Final de este manual

Introducción

Gracias por su compra de un producto MARUYAMA.

MARUYAMA, sus distribuidores y concesionarios desean que usted esté completamente satisfecho con su nuevo producto. No dude en contactar a su distribuidor de ser- vicio autorizado para obtener asistencia en el servicio, partes genuinas de MARUYAMA u otra información que usted pueda requerir.

Cada vez que usted contacte a su distribuidor de servicio autorizado o la fábrica, siempre tenga disponible el número de serie de su producto. Este número ayudará al distribuidor de servicio o al representante de servicio para proveer la información exacta sobre su producto específico. Usted encontrará el modelo y el número de serie localizado en un lugar único en el producto (Descripción del producto en la página ES-9).

Para su conveniencia, escriba el nombre de modelo del producto y el número de serie en el espacio de abajo.

<p>Nombre del modelo _____</p> <p>Nº de serie _____</p>

Lea cuidadosamente este manual para aprender sobre la manera de operar y efectuar el mantenimiento del producto correctamente. Leer este manual le ayudará a usted y a otros a evitar lesiones personales y daños al producto.

Aunque MARUYAMA diseña, produce y comercializa productos seguros y de la más reciente tecnología, usted será el responsable por usarlos de la manera apropiada y segura. Usted también será responsable por la capacitación de las personas a las que usted permita usar el producto para la operación segura.

El sistema de advertencia de MARUYAMA en este manual identifica los peligros potenciales y tiene mensajes de seguridad especiales que le asistirán a usted y a otros en evitar lesiones personales, o incluso la muerte. PELIGRO, ADVERTENCIA y PRECAUCIÓN son las palabras de señalización usadas para identificar el nivel del peligro. Sin embargo, independientemente del peligro, sea extremadamente cuidadoso.

Las señales **PELIGRO** indican un peligro extremo, que causará lesiones serias o la muerte si las precauciones recomendadas no se siguen.

Las señales **ADVERTENCIA** indican un peligro que puede causar lesiones serias o la muerte si las precauciones recomendadas no se siguen.

Las señales **CUIDADO** indican un peligro que puede causar lesiones menores o moderadas si las precauciones recomendadas no se siguen. También se usan otras palabras para destacar la información. “Importante” llama la atención sobre información mecánica especial y “Nota” enfatiza la información general que merezca atención especial.

Seguridad

Seguridad del operador

1. Lea y comprenda este manual del propietario u operador antes de usar el producto. Familiarícese completamente con el uso apropiado de este producto.
2. Nunca permita que los niños operen el cortasetos. Ésto no es un juguete. Nunca permita que los adultos operen la unidad sin leer primero el manual del propietario u operador.
3. Siempre use una protección ocular que cumpla con ANSI (Instituto de Estándares Nacionales Americanos) Z87-1.



4. Siempre use protección auditiva.
5. Siempre use pantalones largos, pesados, camisa de manga larga, botas y guantes. No use ropa suelta, joyas, pantalones cortos, sandalias ni ande descalzo. Tómese el cabello de manera que no pase la longitud de los hombros.
6. Nunca opere el cortasetos cuando esté cansado, enfermo o bajo la influencia del alcohol, las drogas o medicinas.
7. Nunca arranque ni opere el motor dentro de una sala o edificio cerrado. Respirar los humos del escape puede causar la muerte.



8. Mantenga las manijas limpias de aceite, combustible y suciedad.

Seguridad de el cortasetos

1. Asegúrese que el cortasetos sea ensamblada correctamente, y que el accesorio de corte sea instalado correctamente y asegurado de la manera que se instruye en la sección de ensamble.
2. Inspeccione el cortasetos antes de cada uso. Reemplace las partes dañadas. Verifique escape de combustible. Asegúrese que todos los seguros estén en posición y firmemente asegurados. Siga las instrucciones de mantenimiento que comienzan en la página ES-16.
3. Asegúrese que la cabeza de corte no rote a la velocidad de ralentí del motor. Refiérase al ajuste de velocidad de ralentí, página ES-16.
4. Inspeccione la cabeza de corte y reemplace las partes que no estén quebradas, picadas o dañadas antes de usar el cortasetos.
5. Asegúrese que la pantalla de la cabeza de corte sea instalada y posicionada correctamente antes de usar el cortasetos.
6. Nunca use una cabeza de corte o partes de reemplazo que no estén aprobadas por MARUYAMA.
7. Efectúe el mantenimiento de el cortasetos de acuerdo con los intervalos y procedimientos de mantenimiento recomendados en la sección de mantenimiento de la página ES-16.
8. Apague el motor y asegúrese que la cabeza de corte haya dejado de rotar completamente antes de invertir el cortasetos, para efectuar el mantenimiento o trabajar en la máquina.
9. Si hay problemas de operación o se produce vibración excesiva, detenga inmediatamente e inspeccione la unidad para localizar la causa. Si la causa no puede ser determinada o está más allá de su capacidad para corregirla, retorne el cortasetos a su distribuidor de servicio para repararla.
10. Los gases de escape son extremadamente calientes. Mantenga los materiales y objetos inflamables al menos de 3 pies (1m) de distancia de la dirección en que los gases de escape que salen de silenciador. No cubra el escape de gases con ningún artículo. Existe un alto riesgo de que los materiales y objetos se encendiendo y se quemem.

11. Durante la operación y el ralentí de la unidad, el motor está muy caliente. También, tiempo después que el motor se detenga, el motor estará bastante caliente. No coloque el motor cerca de materiales inflamables como pasto seco. Existe un alto riesgo de que estos materiales se enciendan.

Seguridad del combustible

1. La gasolina es altamente inflamable y debe ser manipulada y almacenada cuidadosamente. Use un recipiente aprobado para combustible para almacenar la gasolina y/ o la mezcla de combustible/ aceite.
2. Mezcle y vierta el combustible en exteriores, donde no hayan chispas ni llamas.
3. No fume cerca del combustible o de el cortasetos, o mientras no usa el cortasetos.
4. No llene en exceso el depósito de combustible. Detenga el llenado a 1/4 - 1/2 en. (6 mm - 13 mm) desde la parte superior del depósito.
5. Limpie el combustible salpicado antes de arrancar el motor.
6. Mueva el cortasetos al menos 10 pies (3 m) de la localización del combustible antes de arrancar el motor.



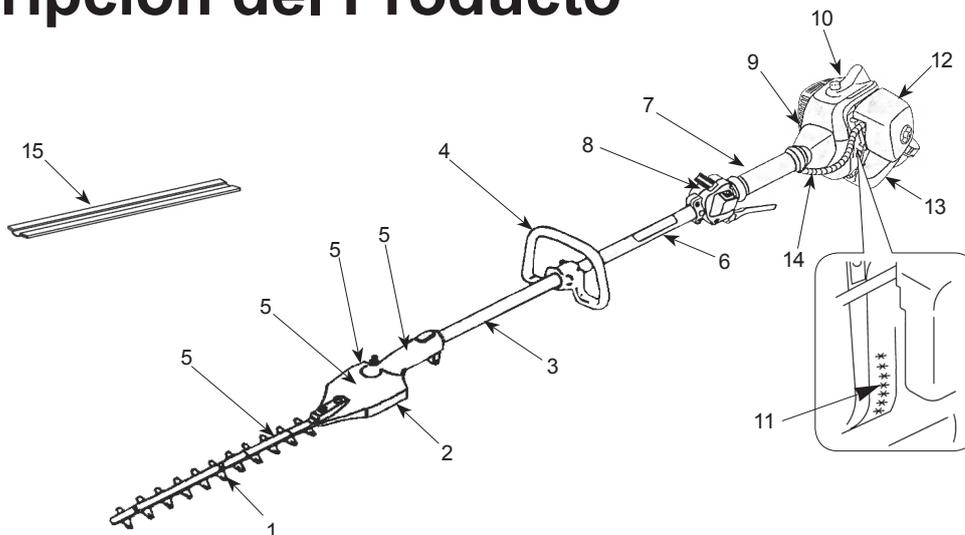
7. No extraiga la tapa de combustible mientras el motor está operando, ni inmediatamente después de detener el motor.
8. Permita que el motor se enfríe antes de rellenarlo de combustible.

9. Drene el depósito y opere el motor seco antes de almacenar la unidad.
10. Almacene el combustible y el cortasetos alejados de fuego, chispas y el calor excesivo. Asegúrese que los vapores de combustible no alcance a las chispas ni el fuego de los calentadores, hornos, motores eléctricos, etc.

Seguridad de operación de el cortasetos

1. **ESTA CORTASETOS PUEDE CAUSAR LESIONES SERIAS.** Lea cuidadosamente las instrucciones. Familiarícese con todos los controles y el uso apropiado de el cortasetos.
2. Inspeccione su área de trabajo antes de comenzar. Remueva las cadenas, cuerdas o materiales similares que puedan enredarse en las cuchillas.
3. Mantenga a los niños, los observadores y los animales fuera de área de operación.
4. Si alguien se aproxima a usted mientras opera el cortasetos, detenga el motor y la movimiento de las cuchillas.
5. Nunca permita que los niños operen el cortasetos.
6. Use el cortasetos solamente con luz solar o con buena luz artificial.
7. Siempre mantenga el cortasetos al lado derecho de su cuerpo.
8. No ponga las manos ni los pies cerca o bajo de las partes de rotación. Manténgalo despejado en todo momento. Mantenga todas las partes de su cuerpo alejadas las cuchillas movimiento y las superficies calientes, tales como el silenciador.
9. Mantenga una posición de pie firme y balanceada. No sobrepase el alcance.
10. No opere el cortasetos mientras está de pie en una escalera o similar soporte temporal.
11. Use la herramienta correcta para el trabajo. No use el cortasetos para ningún trabajo que no sea recomendado por MARUYAMA.

Descripción del Producto



- | | |
|---|---|
| 1. Cuchillas y espada | 9. Cáster del tambor del embrague |
| 2. Caja de engranajes | 10. Motor |
| 3. Conjunto eje | 11. Número de serie (en el costado del motor) |
| 4. Manilla en forma | 12. Filtro de aire |
| 5. Adhesivos de Seguridad | 13. Depósito de combustible |
| 6. Nombre del modelo | 14. Cables del acelerador y Cable del interruptor de Parada |
| 7. Empuñadura del eje | 15. Hoja vaina |
| 8. Gatillo del acelerador e interruptor de Parada | |

Símbolos Adhesivos de Seguridad



Los Adhesivos de Seguridad son de fácil visibilidad y están localizados cerca de los lugares de peligro. Vuelva a poner cualquier símbolo adhesivo en caso de que esté deteriorado o haya sido despegado.

CAUTION : Extremely sharp blades. Do not touch.

Sobre la espada
(235595)



**SOBRE EL CAJA
DE ENGRANAJES
(423331)**



**SOBRE EL CAJA
DE ENGRANAJES
(423332)**



**SOBRE EL CAJA
DE ENGRANAJES
(423333)**



El manejo de esta máquina incorrectamente podría causar accidentes que causan la herida seria o la muerte. Lea este manual con cuidado y práctica usando al contemporizador hasta que usted totalmente conozca todas las operaciones y haya aprendido a usarlo correctamente.



Lea y comprenda este manual del propietario u operador.



No olvide nunca de colocarse el protector de cara, de oídos e incluso el casco, cuando utilice el accesorio corta setos.

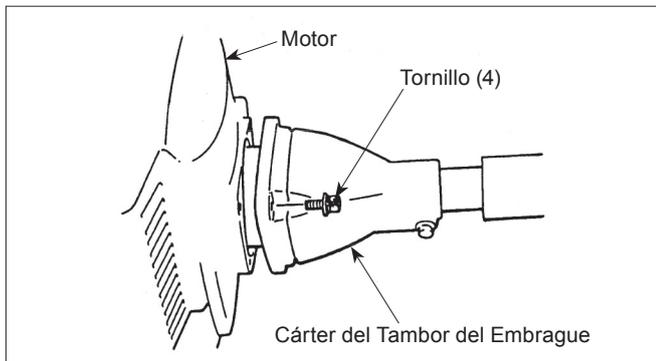


Mantenga sus manos alejadas de las cuchillas de corte.

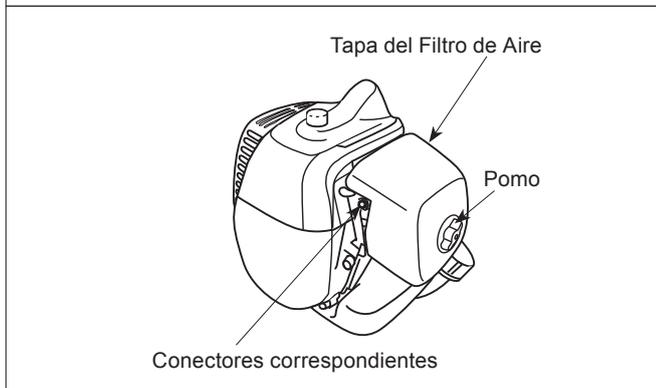
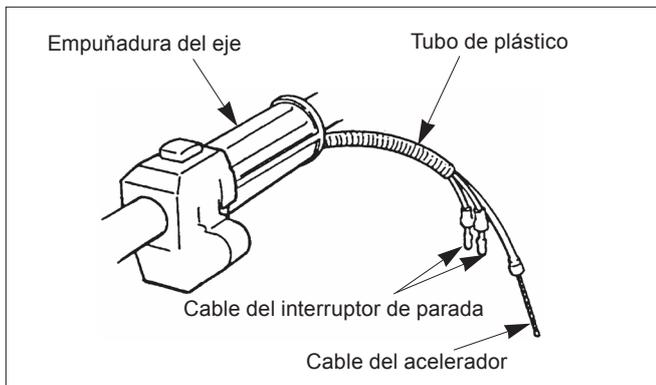
Montaje

Montaje del motor y el Conjunto eje

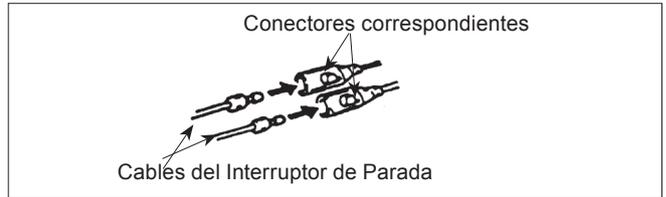
Fije el tambor del embrague al motor usando los cuatro tornillos que vienen con la unidad.



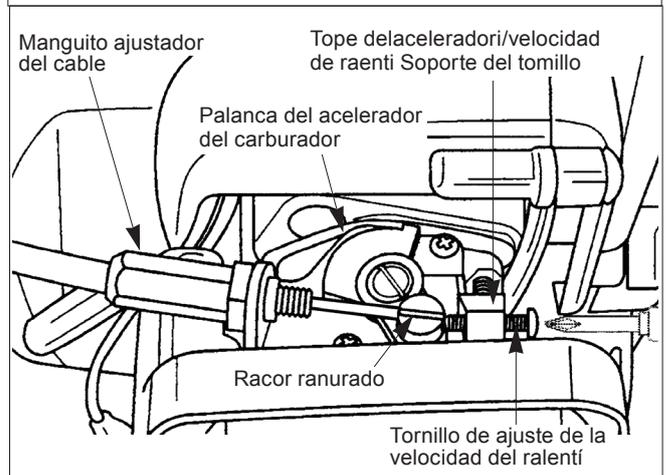
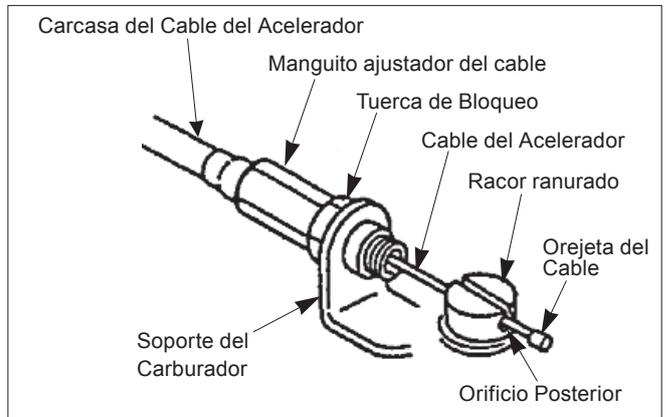
Conexión de los cables del interruptor de parada



1. Instale el tubo de plástico (embalado con el conjunto del eje de transmisión) en torno a el cable del acelerador y los cables del interruptor de parada.
2. Afloje la perilla y quite la tapa del filtro de aire para acceder a los cables del interruptor de parada.
3. Conecte los cables del interruptor de parada en los Conectores correspondientes del motor. Recuerde que la polaridad de los cables no es importante.



Conexión del los el cable del acelerador

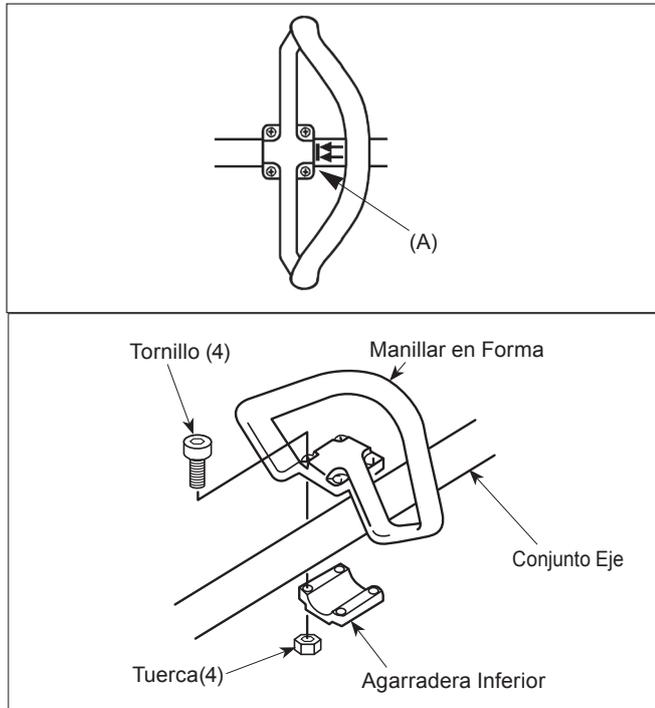


1. Afloje el pomo y retire la tapa del filtro de aire, inserte el cable del acelerador con el manguito ajustador del cable en el soporte del carburador. Asegúrese de que el extremo de la funda protectora del cable esté bien colocado en el manguito.
2. Coloque el racor ranurado en el carburador de modo que el orificio para el cabezal del cable esté alejado del manguito ajustador del cable.
3. Gire la palanca del acelerador del carburador en el sentido de las agujas del reloj y deslice el cable del acelerador a través de la ranura en el racor ranurado, asegurándose de que el cabezal del cable esté colocado en el orificio.
4. Haga funcionar el gatillo del acelerador unas cuantas veces para asegurarse de que funciona correctamente.
5. Ajuste el manguito ajustador del cable de modo que el tope en la palanca del acelerador del carburador haga contacto con el tornillo de ajuste de la velocidad mínimo y la posición del cable mantenga

un huelgo de 1-2mm entre el cabezal del cable y los r acors ranurados cuando el gatillo del acelerador est e totalmente pulsado.

6. Cuando el cable del acelerador est e ajustado correctamente, apriete la contratuerca.
7. Reinstale el tapa de filtro de aire.

Instalaci n del manillar en forma



La empu adura circular debe montarse en el lateral del c arter a partir de la flecha (A).

1. Coloque el manillar en forma y el agarradera inferior en el eje.
2. Instale los cuatro tornillos y nueces. Deje los tornillos a prueba del dedo.
3. Coloque de nuevo el Manillar en Forma o abajo el conjunto eje a el la posici n m s c moda, pero no te acerques a la marca de la flecha.
4. Apriete los tornillos y nueces.



Antes De Utilizar

Aceite y Combustible

⚠ PELIGRO

PELIGRO POTENCIAL

- En ciertas condiciones la gasolina es un producto extremadamente inflamable y altamente explosiva.

QU  PUEDE OCURRIR

- Un fuego o una explosi n puede quemarle a Usted o a terceras personas y puede da ar objetos de la propiedad.

C MO EVITAR EL PELIGRO

- Use un embudo y proceda a llenar el dep sito de combustible en el exterior, en espacios abiertos, cuando la gasolina este fria.
- No llene completamente el dep sito. A ada gasolina en el dep sito de gasolina hasta que esta llegue a 1/4 to 1/2 en. (6 mm to 13 mm) por debajo del cuello superior de llenado.
- Este espacio vacio en el dep sito de gasolina deja que la gasolina se expanda.
- No fume nunca cuando manipule gasolina, y alejese de cualquier fuego abierto cuando manipule gasolina o el contenedor y mant ngalo fuera del alcance de ni os.
- No mezcle gasolina para m s de al mes de previsi n de su uso.

1. No fume cerca del combustible.
2. Mezcle y vierta el combustible en espacios abiertos y donde no haya fuego o llamas.
3. Siempre apague el motor antes de proceder al llenado de combustible. Nunca quite la tapa del dep sito de combustible el motor este funcionando o inmediatamente despu s de haber parado el motor.
4. Habra siempre la tapa del combustible despacio para que la posible presi n acumulada en el interior del dep sito salga de una manera segura.
5. No sobrellene el dep sito de combustible. Pare de verter combustible al llegar a 1/4-1/2 en. (6 mm-13 mm) del borde superior del dep sito.
6. Apriete la tapa del dep sito de combustible con cuidado pero de manera segura despu s de haberlo rellenado.

⚠ ADVERTENCIA

PELIGRO POTENCIAL

- La gasolina contiene gases volátiles que pueden producir presión en el interior del depósito de combustible.

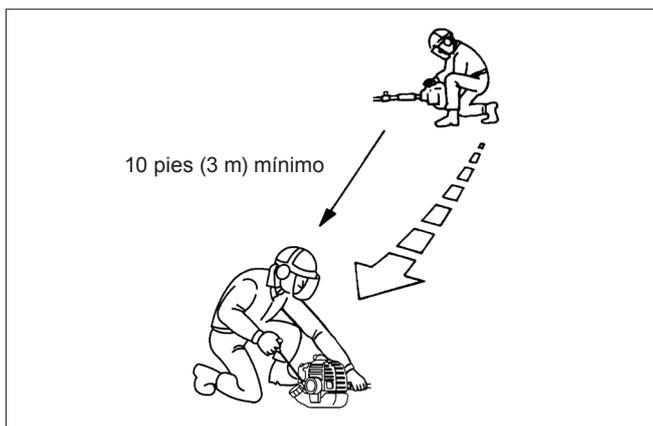
QUÉ PUEDE OCURRIR

- El combustible puede salir disparado cuando Usted abre la tapa del depósito.

CÓMO EVITAR EL PELIGRO

- Quite la tapa del depósito de combustible despacio para evitar que sufra cualquier daño a causa del combustible.

7. Seque cualquier vertido de combustible que pudiera haberse vertido antes de proceder al llenado.
8. Aleje el cortasetos como mínimo 10 pies (3 m) del lugar de llenado de combustible y almacenaje del contenedor de combustible antes de arrancar el motor.



Tipo de Aceite Recomendado

Úsese solamente en aceite para motor de dos tiempos formulado para uso en motores de dos tiempos enfriados por aire de alto rendimiento. El aceite de 2 tiempos de marca MARUYAMA ha sido formulado para uso en motores de dos tiempos enfriados por aire, de alto rendimiento.

IMPORTANTE: No use aceites certificados por la Asociación de Fabricantes Marinos Nacional (NMMA) o BIA. Este tipo de aceite de motor de 2 tiempos no tiene los aditivos apropiados para los motores de 2 tiempos enfriados por aire y puede causar daños al motor.

No use aceite para automóviles. Este tipo de aceites no contiene los aditivos adecuados necesarios para el uso en motores de dos tiempos

refrigerados por aire y pueden causar daños en el motor.

Tipo de combustible recomendado

Use gasolina sin plomo fresca y limpia, incluyendo gasolina *oxigenada o reformada*, con octanaje de 89 o mayor. Para asegurar la frescura, compre sólo la cantidad de gasolina que pueda ser usada dentro de 30 días. El uso de gasolina libre de plomo resulta en menores depósitos en la cámara de combustión y una vida de la bujía más prolongada. El uso de combustible de grado Premium no es necesario ni recomendado.

Uso de aditivos de combustible

IMPORTANTE: NUNCA USE ALCOHOL, GASOLIN QUE CONTENGA MÁS DE 10% DE ALCOHOL A QUE ESTO PODRÍA RESULTAR EN DAÑO AL SISTEMA DE COMBUSTIBLE DEL MOTOR.

NO USE ADITIVOS DE COMBUSTIBLE DISTINTOS DE AQUELLOS MANUFACTURADOS PARA LA ESTABILIZACIÓN DEL COMBUSTIBLE DURANTE EL ALMACENAMIENTO, TALES COMO EL ESTABILIZADOR / ACONDICIONADOR DE MARUYAMA O UN PRODUCTO SIMILAR. EL ACONDICIONADOR / ESTABILIZADOR DE MARUYAMA ES UN DESTILADO DE PETRÓLEO.

MARUYAMA NO RECOMIENDA ESTABILIZADORES CON BASE DE ALCOHOL TALES COMO ETANOL, METANOL O ISOPROPILO. NO SE DEBERÍAN USAR ADITIVOS PARA INTENTAR MEJORAR LA POTENCIA O EL RENDIMIENTO DE LA MÁQUINA.

Mezcla de Gasolina y Aceite

IMPORTANTE: El motor usado en el cortasetos está diseñado como motor de dos tiempos. Las partes móviles internas del motor, ejemplo: los cojinetes del cigüeñal, cojinetes del pistón y el pistón, y las superficies de las paredes del cilindro, requieren aceite mezclado con gasolina como lubricante.

La ausencia por error de mezclar aceite con gasolina o el no añadir una proporción adecuada de aceite con la gasolina causará un daño al motor que no está cubierta en la garantía.

Para su mezcla previa de combustible, use la mezcla de aceite de 2 tiempos Premium de MARUYAMA, o equivalente al aceite ISO-L-EGD y JASO FD con gasolina

de alta calidad de mínimo de 89 octanos. El aceite de 2 tiempos de MARUYAMA está formulado especialmente para satisfacer los requerimientos de los motores de 2 tiempos enfriados por aire, de baja emisión y de alto rendimiento. El uso de otros aceites puede llevar a problemas de servicio que podrían no ser cubiertos por su garantía.

Mezcla de combustible

Combustible: La relación es de 50 partes de gasolina por 1 parte de aceite o 50:1.



NOTA: Nunca use una relación de mezcla de menos de 50:1 independientemente de las instrucciones de mezcla del paquete de aceite. Las relaciones de menos de 50:1 (por ejemplo; 60:1, 80:1, 100:1) reducen la cantidad de lubricación a las partes móviles internas del motor y pueden causar daños.

Diagrama de mezclas de combustible

Gasolina	Aceite de 2 tiempos, 50:1
1 galón	2.6 onzas.
2 galones	5.1 onzas.
5 galones	12.8 onzas.
1 litro	20 mL
5 litros	100 mL

Instrucciones sobre la Mezcla

IMPORTANTE: No mezcle nunca el aceite con la gasolina en el depósito de combustible de el cortasetos directamente.

1. Siempre mezcle el combustible y el aceite en un contenedor limpio adecuado para gasolina.
2. Señale el contenedor para identificarlo como contenedor para la mezcla de gasolina con aceite para el cortasetos.
3. Use gasolina regular sin plomo y llene el contenedor con la mitad de gasolina requerida.
4. Vierta la correcta cantidad de aceite en el contenedor y después el resto de la cantidad de gasolina.

5. Cierre el contenedor de manera segura y agítelo por un instante para conseguir que el aceite se mezcle con la gasolina de manera apropiada antes de llenar el depósito de el cortasetos.
6. Cuando rellene el depósito de combustible de el cortasetos, limpie alrededor de la tapa del depósito para evitar que cualquier suciedad o partícula entre en el depósito de combustible cuando quitemos la tapa.
7. Siempre agite la pre-mezcla del contenedor de la mezcla antes de proceder al llenado del depósito.
8. Siempre use un embudo para proceder al llenado del depósito así evitará que se desparrame.
9. Llene solo hasta 1/4 - 1/2 en. (6 mm to 13 mm) de la parte superior del depósito. Evite llenar el depósito hasta el cuello de llenado.

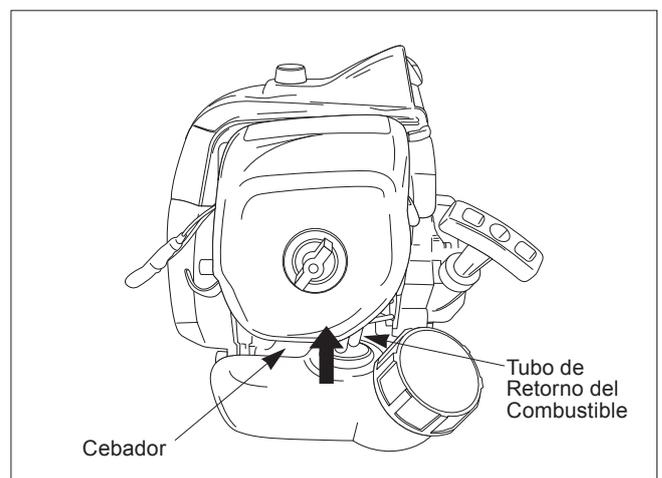
Arranque y parada

Antes de Arrancar el Motor

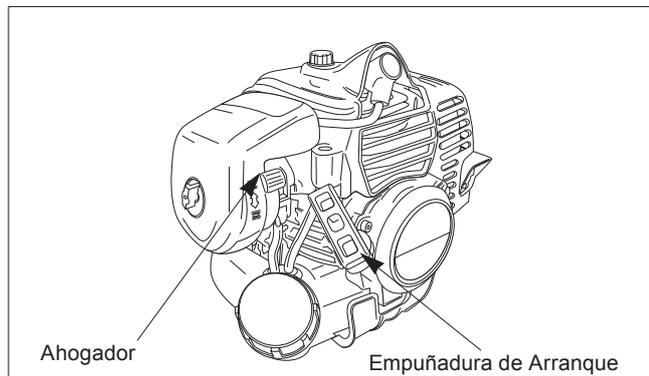
1. Llene el depósito de combustible de la manera indicada en la sección “Antes de Utilizar” este manual (ES-11).
2. Deje el cortasetos apoyada sobre el suelo.
3. Asegúrese de que el dispositivo de corte esta libre de toda partícula como por ejemplo, cristales rotos, clavos, cables, rocas o otra clase de desechos.
4. Mantenga a personas, niños y animales alejados del area de trabajo.

Procedimiento para el Arranque en Frio

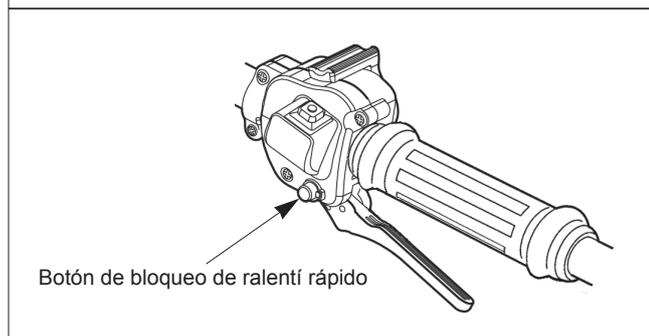
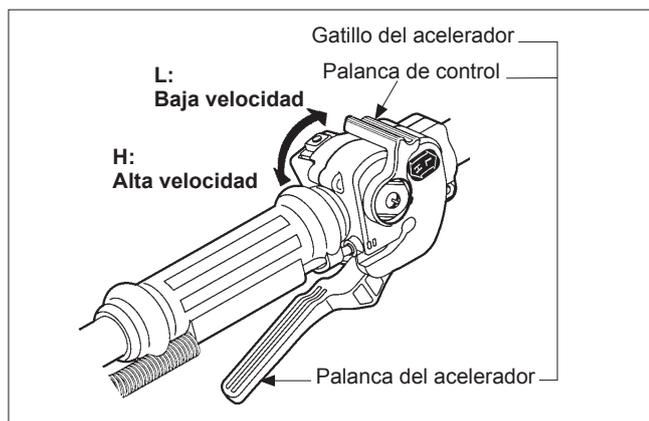
El carburador de este motor cuenta con un sistema cebador. Para arrancar un motor “en frio” de manera adecuada, siga el siguiente procedimiento:



1. Bombear el cebador hasta que el combustible pueda verse a través del tubo de combustible y que este se dirija al depósito de combustible. (La corriente de combustible deberá verse casi claramente, que no esté lleno de burbujas de aire).



2. Cierre la palanca del ahogador llevándola a la posición de cerrada (☒). Y mueva la palanca de control al lado de alta velocidad aproximadamente a media pulgada del lado de baja velocidad.



3. Sujete la palanca del acelerador y luego presione el botón de bloqueo de ralentí rápido. Libere su mano manteniendo presionado el botón de bloqueo de ralentí rápido para bloquear el ralentí rápido.
4. Tire de la empuñadura de arranque.

⚠ ADVERTENCIA

PELIGRO POTENCIAL

- Los componentes de su recoilstarter montaje están bajo alta tensión del muelle. Si incorrectamente desmontado estas piezas usted maystrike con una fuerza considerable, posiblemente causando injury personal.

QUÉ PUEDE OCURRIR

- El contacto con las partes puede causar severas lesiones personales.

CÓMO EVITAR EL PELIGRO

- Nunca intente desmontar el retroceso conjunto del arranque usted mismo. Siempre consulte a su autorizado MARUYAMA distribuidor para su reparación por personal cualificado.

⚠ CUIDADO

- No tire el cordel de arranque hasta el fin.

5. Después que el motor haya arrancado, accione y afloje el palanca del acelerador para dejar que vuelva a la posición de ralentí. Entonces lleve la palanca del ahogador a la posición de abierta (☒).

Si el motor se detiene antes de mover la palanca del ahogador a la posición abierta (☒): Siga y abra el ahogador, tire de la palanca de arranque con el gatillo del acelerador puesto en posición en ralentí rápido.

Arranque en Caliente

Para volver a arranca el motor una vez de que éste caliente (arranque en caliente) o si la temperatura ambiente supera los 68°F (20°C) :

1. Bombear el cebador hasta que el combustible puede verse a través del tubo de combustible y que este se dirija al depósito de combustible. (La corriente de combustible deberá verse casi claramente, que no esté lleno de burbujas de aire).
2. Ponga la palanca del ahogador en la posición de abierta (☒).
3. Deje el gatillo del acelerador en la posición de

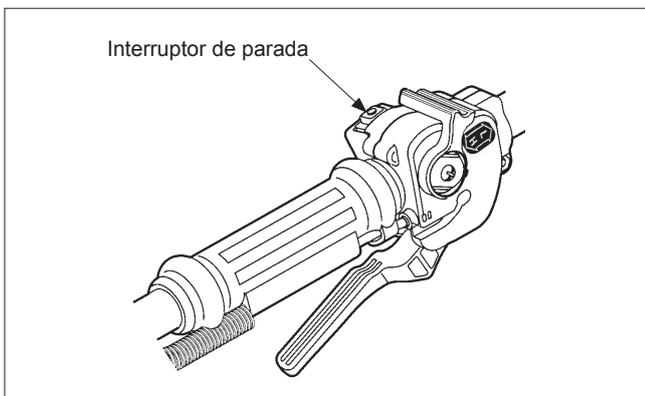
ralentí y tire de la empuñadura de arranque.

4. Si el motor no arranca después de tres o cuatro intentos, siga las instrucciones del procedimiento para el arranque en Frio en la sección de arriba (ES-13).

Si el motor tampoco arrancase siguiendo el procedimiento arriba descrito, póngase en contacto con el concesionario de MARUYAMA.

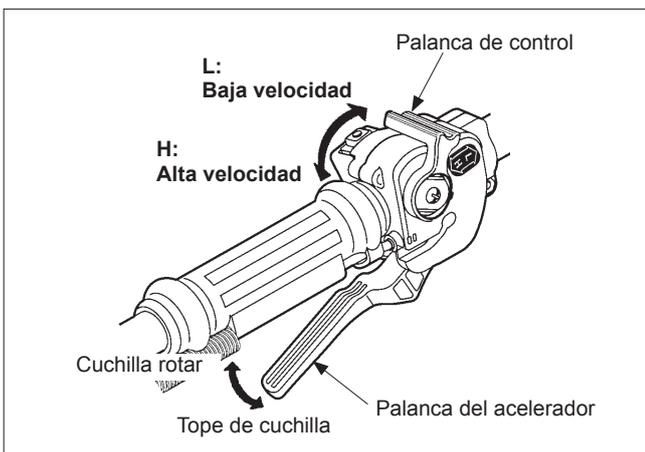
Para Parar El Motor

1. Suelta la palanca del acelerador.
2. Presione el interruptor de parada del gatillo del acelerador hasta que el motor se detenga.



Instrucción del gatillo del acelerador Comience la rotación de la cuchilla

1. Sujete la palanca del acelerador.
2. Mueva la palanca de control al lado de alta velocidad lentamente.
3. Luego, la velocidad del motor aumenta gradualmente y la cuchilla comienza a girar.
4. Ajuste la velocidad de rotación de la cuchilla con la palanca de control.



Note: La velocidad del motor no aumenta al agarrar la palanca del acelerador si la palanca de control se coloca completamente en el lado de baja velocidad.

Pare la rotación de la cuchilla

1. La velocidad del motor bajará a ralentí moviendo la palanca de control a la posición de baja velocidad por completo o soltando la palanca del acelerador.
2. Si vous n'avez pas modifié la position du levier de commande, le régime du moteur revient à la vitesse initiale lorsque vous saisissez à nouveau le levier d'accélérateur.

Uso

⚠ CUIDADO

- Lea las instrucciones de seguridad página ES-7 sobre el uso correcto de la cortasetos.

Posición de funcionamiento

Antes de usar la el cortasetos, verifique lo siguiente.

1. El cortasetos debería estar en el lado derecho del operario.
2. La mano derecha del operario debe sujetar la empuñadura del eje, con los dedos en el gatillo del acelerador.
3. La mano izquierda debe sujetar la empuñadura del eje, con los dedos y el pulgar agarrando completamente la empuñadura.
4. Reparta el peso del cortasetos por igual entre ambos brazos. No toque los bordes afilados de las cuchillas. Las cuchillas están extremadamente afiladas y son peligrosas en todo momento. Emplee siempre guantes para evitar lesiones en manos y dedos.

⚠ CUIDADO

- No toque los bordes afilados de las cuchillas. Las cuchillas están extremadamente afiladas y son peligrosas en todo momento. Emplee siempre guantes para evitar lesiones en manos y dedos.

5. Antes de comenzar el corte propiamente dicho, asegúrese de que las cuchillas estén moviéndose (al menos a velocidad media). El cortasetos funciona mejor a máxima velocidad.
6. Suelte siempre el gatillo del acelerador y deje que el motor vuelva a la velocidad mínima cuando no esté cortando.
7. Pare el motor cuando se desplace de una zona de trabajo a otra.

⚠ CUIDADO

- El grosor de las ramas que puede cortar con este cortasetos está limitado a aproximadamente 3/16 en. (4.8mm). Nunca intente cortar ramas más gruesas, de lo contrario podría dañar la unidad.

- Pare el motor inmediatamente si se atascan las cuchillas.
- Antes de comprobar si hay daños en el equipo, asegúrese de que se hayan detenido todas las piezas en movimiento y desconecte la bujía.
- Nunca utilice un cortasetos con cuchillas de corte resquebrajadas, agrietadas o rotas.

Mantenimiento

El mantenimiento, reemplazo o reparación de los dispositivos y sistemas de control de emisiones puede ser efectuado por una taller especializado o individuo; sin embargo, las reparaciones bajo la garantía deben ser efectuadas por un distribuidor o centro de servicio autorizado por MARUYAMA Manufacturing Company, Inc. El uso de las partes que no sean equivalentes en rendimiento y durabilidad a las partes autorizadas puede inhabilitar la efectividad del sistema de control de emisiones y pueden tener un efecto sobre el resultado del reclamo de la garantía.

El mantenimiento de los motores actuales de bajas emisiones es incluso más decisivo para lograr una vida útil más larga y un mejor rendimiento. Especialmente cruciales son los filtros de aire y de combustible, el valor térmico de la bujía, la zona de entrada de aire de refrigeración y los huelgos adecuados de la bobina y la bujía.

Ajuste de la Velocidad del Ralentí

⚠ ADVERTENCIA

- Ajuste de la velocidad del ralentí debe ser revisado cada vez que se utiliza la unidad.

⚠ ADVERTENCIA

PELIGRO POTENCIAL

- El motor debe estar en funcionamiento para proceder a ajustes.
- Cuando el motor está en funcionamiento, las partes conectadas están en movimiento.

QUÉ PUEDE OCURRIR

- Un contacto directo con la herramienta suplemento o con otras partes en movimiento pueden causar una grave lesión en las personas o la muerte.

CÓMO EVITAR EL PELIGRO

- Mantenga manos, pies y la vestimenta alejada del la herramienta-suplemento y otras partes en movimiento.
- Mantenga a terceras personas y a animales fuera del alcance de la unidad mientras haga ajustes.

El cortasetos está equipada con un carburador para mezcla de combustible no-ajustable. La velocidad del ralentí es la única parte ajustable por el operario.

El accesorio de corte puede que esté en movimiento durante el ajuste de la velocidad del ralentí.

Use el equipo de protección personal recomendado y tenga en cuenta todas las instrucciones sobre seguridad. Mantenga manos y cuerpo fuera del alcance de la herramienta incorporada (cuchilla, etc).

Cuando el gatillo del acelerador no está siendo presionado, el motor deberá volver a la velocidad de ralentí. La velocidad correcta del ralentí es de 2700-3300 RPM o justo por debajo de la velocidad del embrague.

La herramienta conectada no tienen que estar en movimiento y el motor no debe calarse (pararse) a la velocidad de ralentí.

Para ajustar la velocidad del ralentí, gire el tornillo de ajuste del ralentí localizado sobre el carburador.



- Gire el tornillo de ajuste del ralentí (hacia la derecha) para incrementar la velocidad del ralentí del motor.
- Gire el tornillo de ajuste del ralentí (hacia la izquierda) para disminuir la velocidad del ralentí del motor.

Si el ajuste de la velocidad del ralentí es necesario, y si después de su ajuste la herramienta cortadora incorporada a la unidad gira o el motor se cala, ¡pare el cortasetos inmediatamente!

Póngase en contacto con el concesionario autorizado por MARUYAMA para que le asista.

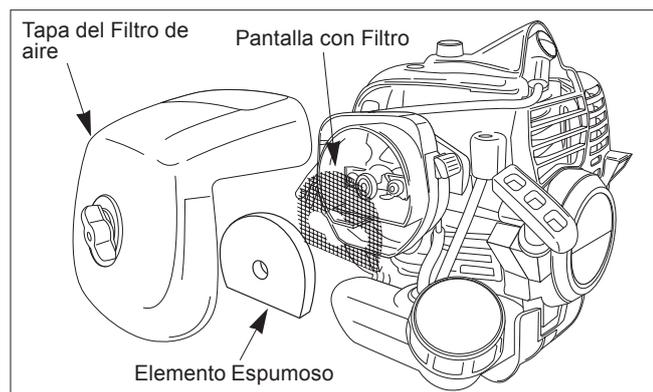
Filtro de Aire

Periodos en los que es Necesario Verificar

- El filtro del aire debe ser limpiado **diariamente**, o más amenudo cuando se trabaja en un entorno en donde haya mucho polvo.
- Repóngalo cada 100 horas de trabajo.

Limpieza del Filtro de Aire

1. Suelte el pomo y quite la tapa del filtro de aire.
2. Quite el elemento de material espumoso y la pantalla con filtro.
3. Limpie el elemento de material espumoso y la pantalla con filtro con agua templada ligeramente enjabonada. Dejele secar completamente.



4. Aplique una ligera capa de aceite de motor (SAE 30 o equivalente viscosidad) al elemento espumoso y quite el exceso de aceite haciendo presión sobre el mismo.
5. Vuelva a montar el elemento espumoso y la pantalla con filtro.
6. Vuelva a instalar la tapa del filtro de aire y apriete la pomo.

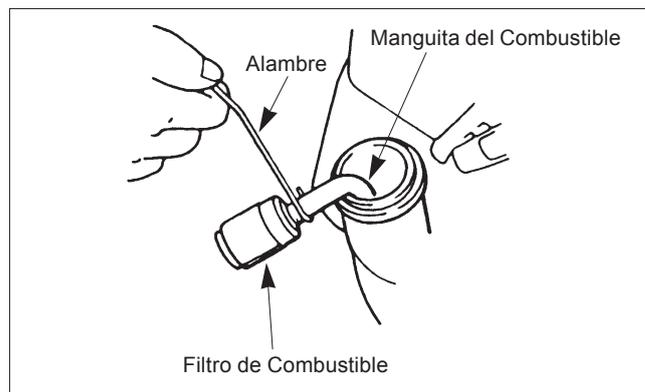
Filtro de Combustible

Periodos en los que es Necesario Verificar

- El filtro de combustible debe ser cambiado cada 100 horas de trabajo.
- Filtros de combustible que necesitan una sustitución más frecuente puede indicar los residuos en el depósito de combustible.

Cambio del Filtro de Combustible

El filtro de combustible está fijado en el extremo de la manguita para el combustible, dentro del depósito.



Para cambiar el filtro de combustible:

1. Asegúrese que el depósito de combustible está vacío.
2. Quitar la tapa del depósito de combustible.
3. Usando un gancho de alambre, saque cuidadosamente el filtro de combustible a través de la boca del depósito. Tenga cuidado de no dañar el tubo de combustible. Cámbielo inmediatamente si está pinchado.
4. Agarre la manguita del combustible que esta cerca del filtro de combustible y quite el filtro del combustible, pero no suelte la manguita.

5. Mientras tiene la manguita con la mano, reponga el nuevo filtro.
6. Ponga el nuevo filtro en la posición original dentro del depósito.
7. Asegúrese de que el filtro no está atascado en la esquina del depósito, y de que la manguita del combustible no está doblada antes de rellenar el depósito de combustible.

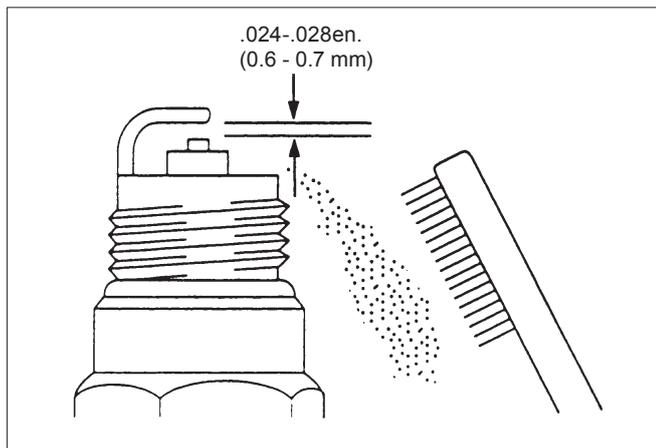
Bujía

Periodos en los que es Necesario Verificar

- La bujía debe ser desmontada del motor y debe ser verificada cada 25 horas de trabajo.
- Cambie la bujía cada 100 horas de trabajo.

Mantenimiento de la Bujía

1. Mueva la pipa de alta tensión de la bujía de atrás adelante una cuantas veces para que está se aligere y saquela fuera de la bujía.
2. Quite la bujía.
3. Limpie los electrodos con un cepillo duro.
4. Ajuste la distancia del electrodo de tal manera que quede de entre .024-.028 en. (0.6-0.7 mm) de distancia.



5. Cambie la bujía si está sobre engrasada, dañada o si los electrodos están desgastados.
6. No apriete demasiado la bujía cuando la monte sobre el motor. La fuerza de torque es de 95-148 en-lbs. (10.7 - 16.6 N•m).
7. Use siempre sólo el rango de calor específico de bujía. Esto es particularmente crítico con baja

emisión de hoy motores. Para obtener los mejores resultados, utilice el exacto reemplazo.

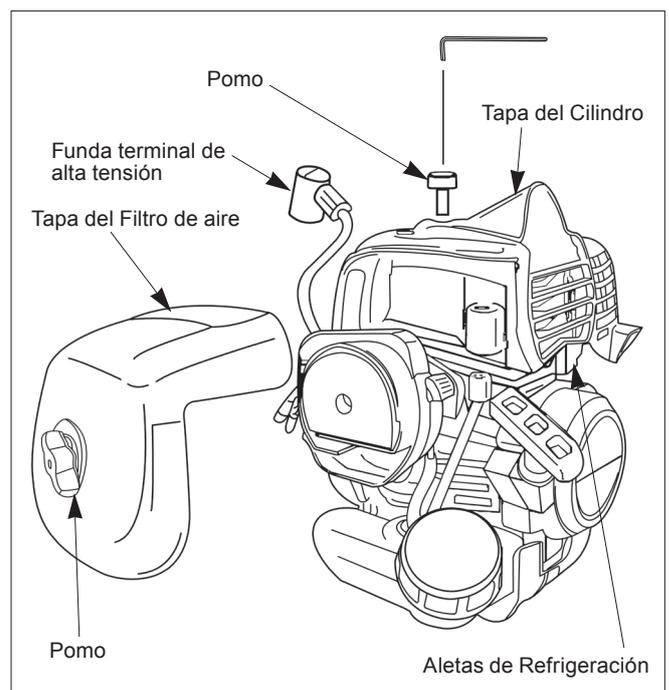
Aletas del cilindro de refrigeración

Intervalo de mantenimiento

- Las aletas del cilindro de refrigeración deben limpiarse cada 25 horas de funcionamiento o una vez a la semana, lo que se produzca primero.
- El aire debe fluir libremente alrededor y a través de las aletas del cilindro de refrigeración para evitar que el motor se recaliente. La acumulación de hojas, césped, suciedad y desechos en las aletas aumentará la temperatura de funcionamiento del motor, lo que puede reducir el rendimiento del motor y acortar la vida del motor.

Limpieza de las aletas de refrigeración

1. Con el motor a la temperatura ambiente (de la sala), suelte el pomo y remueva la tapa del filtro de aire.



2. Tuerza la funda terminal de alta tensión sobre la bujía hacia la frente y atrás un par de veces para aflojar la funda y entonces sacarla de la bujía.
3. Afloje el pomo y levante la tapa del cilindro.
4. Limpie toda la suciedad de las aletas refrigeradoras y de la base del cilindro.
5. NO descuide la limpieza de la zona de entrada del aire de refrigeración situada debajo del cárter del

cigüeñal y sobre el depósito de combustible. Para que el motor funcione correctamente, esta zona debe estar libre de residuos y obstrucciones.

6. Reinstale el tapa del cilindro y las cubierta del filtro de aire.

Matachispas

⚠ ADVERTENCIA

PELIGRO POTENCIAL

- La superficie del silenciador se calienta cuando la cortasetos está en operación y permanece caliente por algún tiempo después que el motor se ha apagado.

QUÉ PUEDE OCURRIR

- El contacto con la superficie del silenciador caliente podría causar una quemadura.

CÓMO EVITAR EL PELIGRO

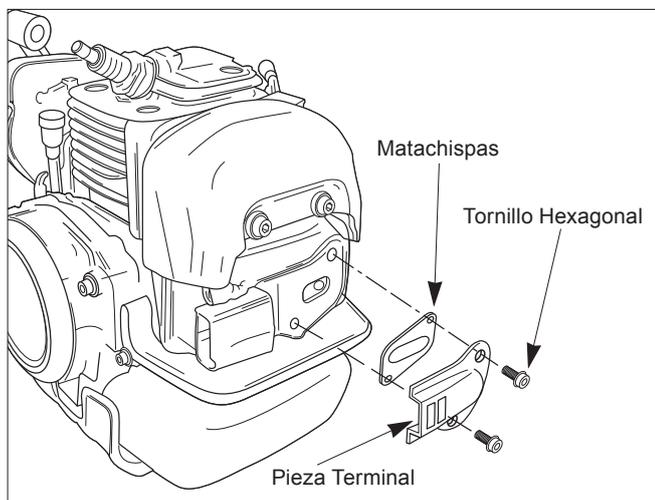
- Asegúrese que el silenciador esté frío antes de inspeccionar y limpiar la protección contra chispas.

Intervalo de mantenimiento

- Debería examinar y limpiar el matachispas después de cada 25 horas de uso.
- Cambie el filtro si no puede limpiarlo a fondo o si está dañado.

Mantenimiento del matachispas

1. Con el motor a la temperatura ambiente (de la sala), suelte el pomo y remueva la tapa del filtro de aire.



2. Tuerza la funda terminal de alta tensión sobre la bujía hacia la frente y atrás un par de veces para aflojar la funda y entonces sacarla de la bujía.
3. Afloje el botón y levante la culata del cilindro.
4. Retire y limpie la pieza terminal, la junta y el matachispas con un disolvente de seguridad y un cepillo duro. En caso de no poder limpiar por completo alguna pieza, debe cambiarla.
5. Vuelva a instalar el matachispas y la pieza terminal en el silenciador, a continuación coloque y apriete los dos tornillos hexagonales.
6. Reinstale el tapa del cilindro y las tapa del filtro de aire.

Silenciador de escape

Intervalo de mantenimiento

El silenciador debe ser inspeccionado y limpiado después de 100 horas de uso.

Mantenimiento del silenciador

1. Con el motor a la temperatura ambiente (de la sala), suelte el pomo y remueva la tapa del filtro de aire.
2. Tuerza la funda terminal de alta tensión sobre la bujía hacia la frente y atrás un par de veces para aflojar la funda y entonces sacarla de la bujía.
3. Afloje el pomo y levante la tapa del cilindro.
4. Remueva la protección contra chispas (refiérase al mantenimiento de la protección contra chispas). Limpie el silenciador con un cepillo duro.

IMPORTANTE: No usar solvente para la limpieza interna del silenciador, ya que el conversor catalítico está dentro del silenciador.

Tomar cuidado para no dejar que suciedad o residuos caigan dentro del conducto de escape, puesto que esto puede causar daños al motor.

5. Reinstale la trampa de chispas y la cola en el silenciador y entonces reinstale y ajuste los dos tornillos de cabeza hueca.
6. Reinstale el tapa del cilindro y las tapa del filtro de aire.

Cómo ajustar las cuchillas de corte

⚠ CUIDADO

- **NO TOQUE LOS BORDES AFILADOS DE LAS CUCHILLAS. LAS CUCHILLAS ESTÁN EXTREMADAMENTE AFILADAS Y SON PELIGROSAS EN TODO MOMENTO.**

Intervalo de mantenimiento

Antes de utilizar el cortasetos, es necesario revisar el ajuste de las cuchillas.

Las cuchillas demasiado flojas pueden vibrar, y no ofrecerán un corte limpio y uniforme.

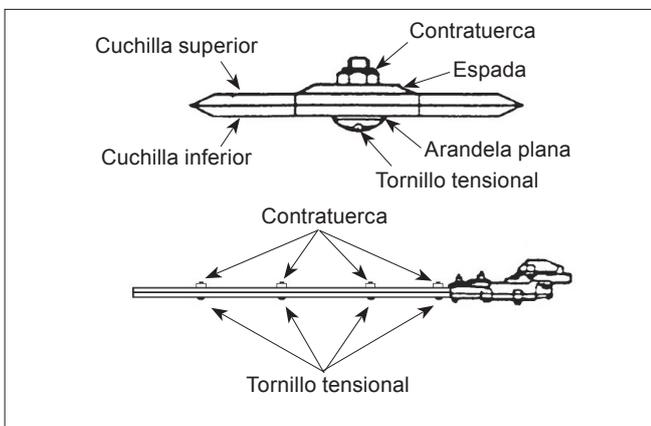
Mantenimiento de las cuchillas

PRECAUCIÓN: LAS CUCHILLAS DEMASIADO APRETADAS PUEDEN PROVOCAR UNA SOBRECARGA QUE PUEDE DAÑAR EL EQUIPO.

Para ajustar las cuchillas, consulte las ilustraciones y coloque los tornillos tensionales.

Afloje las contratuercas del tornillo tensional. Gire ligeramente los tornillos tensionales hasta ajustarlos, a continuación vuelva a sacarlos de nuevo 1/4 - 1/2 de vuelta. Apriete las contratuercas, mientras sujeta los tornillos en su lugar. Recubra generosamente las cuchillas con una capa de aceite ligero. Arranque el motor y utilice el cortasetos a máxima velocidad durante al menos un minuto. Detenga el motor, y cuando las cuchillas estén paradas, comprobar la temperatura cuchillas con cuidado.

Las cuchillas pueden estar calientes, pero si lo están demasiado, afloje los tornillos tensionales 1/8 de vuelta.



Lubricación

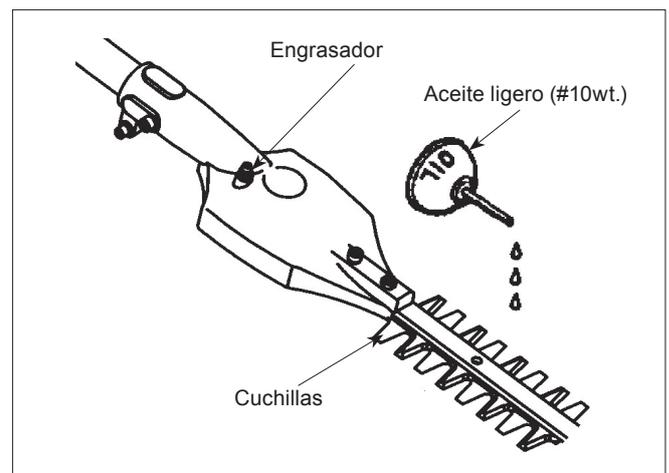
Intervalo de mantenimiento

El cárter deben revisarse después de cada 10 horas de uso.

Las cuchillas deberían lubricarse en todo momento.

Lubricación

Debe comprobarse si el cárter están lubricados después de cada 10 horas de uso. Ambos componentes tienen instalados engrasadores. Utilice lubricante de litio para rodamientos n° 2.



Las cuchillas deberían mantenerse siempre lubricadas. Utilice un aceite ligero (#10wt.).

El general limpiando y apretándose

⚠ ADVERTENCIA

PELIGRO POTENCIAL

- Cuando el motor está en funcionamiento, las herramienta cortadora y otras partes están en movimiento.

QUÉ PUEDE OCURRIR

- Un contacto con las pieza ajustada al rotor u otras partes de la unidad pueden causar serias lesiones en las personas o la muerte.

CÓMO EVITAR EL PELIGRO

- Pare siempre el motor de el cortasetos de proceder a su limpieza o cualquier tipo de mantenimiento en la unidad.

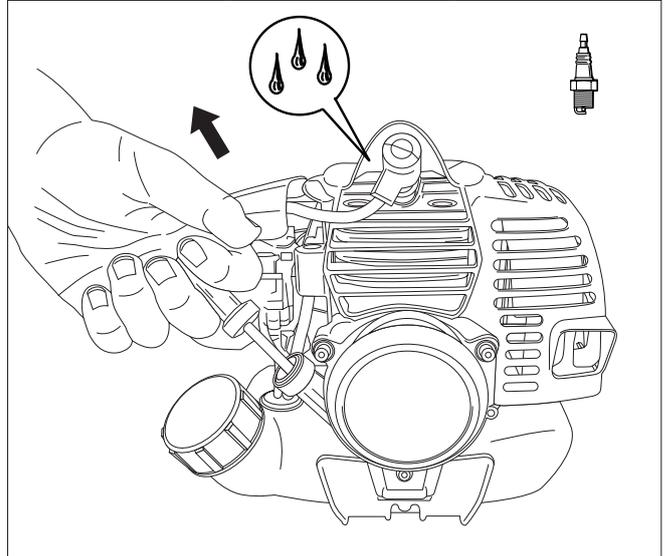
El cortasetos de MARUYAMA ofrece un máximo rendimiento durante muchas, muchas horas si se aplica un trabajo de mantenimiento adecuado. Un correcto trabajo de mantenimiento incluye una verificación regular de que todas las piezas están ajustadas correctamente, así como la limpieza de la maquina en su conjunto.

Almacenaje

Para proceder a almacenar el cortasetos durante un largo periodo de tiempo:

1. Vacie el depósito del combustible y vierta el contenido en un contenedor para su adecuado almacenaje.
2. Bombee la pera de cebado en el carburador hasta que todo combustible se descarga a través del tubo de retorno del combustible.
3. Ponga en funcionamiento el motor para vaciar totalmente el combustible que pueda haber en el carburador.

4. Proceda a efectuar todas las labores de mantenimiento regulares y a la reparación de cualquiera de sus partes que necesiten dicha reparación.
5. Desmonte la bujía y vierta una pequeñísima cantidad de aceite de motor en el cilindro.
6. Tire de la empuñadura de arranque una vez.



⚠ CUIDADO

PELIGRO POTENCIAL

- Puede que una cantidad de aceite le salpique desde la apertura de la bujía cuando intente tirar de la empuñadura del arranque.

QUÉ PUEDE OCURRIR

- El aceite puede producir lesiones oculares.

CÓMO EVITAR EL PELIGRO

- Proteja sus ojos y mantenga su cara alejada de la apertura de la bujía.

7. Tire de la empuñadura de arranque despacio para que el pistón se posicione en el borde superior del cilindro (TDC).
8. Vuelva a colocar la bujía.
9. Almacene el cortasetos en lugar seco y lejos de toda fuente de calor, llamas o fuego.

Problemas

Problema	Causa	Qué se debe hacer
El motor no arranca	<ul style="list-style-type: none"> • Depósito de combustible vacío • Cebador no fue empujado bastante • El motor está inundado 	<ul style="list-style-type: none"> • Llene el depósito • Presione cebador hasta flujos de combustible por tubo de retorno del combustible • Siga el procedimiento de arranque de motor en caliente
Problema de ralentí	La velocidad del ralentí es incorrecta	Vuelva a ajustar el ralentí
Al motor le falta fuerza, se ahoga/ cala cuando corta	<ul style="list-style-type: none"> • El cable del acelerador no está tensado • El filtro de aire está sucio • Protector contra chispas u orificio de escape tapados 	<ul style="list-style-type: none"> • Tense el cable del acelerador • Limpie el filtro de aire o cámbielo • Limpie el protector contra chispas u orificio de escape

Si necesita mayor ayuda póngase en contacto con el concesionario autorizado por MARUYAMA.

Período de mantenimiento

Mantenimiento	Diario	Cada 25 horas	Cada 50 horas	Cada 100 horas
Verificación y relleno de combustible	●			
Verificación por filtración de combustible	●			
Verificación de los pernos, tuercas y tornillos por apriete o falta	●			
Comprobar el ajuste de ralentí del motor	●			
■ Limpie el elemento de filtro de aire	●			
Limpie la bujía y ajuste la luz del electrodo		●		
■ Remueva el polvo y la suciedad de las aletas del cilindro		●		
● Limpie el protector contra chispas		●		
Apriete de los pernos y tuercas			●	
● Remueva los depósitos de carbón en el orificio de escape			●	
Reemplace el filtro de combustible				●
● Remueva los depósitos de carbón en la culata y la cámara de combustión				●
● Remueva los depósitos de carbón en los orificios de transferencia				●
Reemplace el tubo de combustible, la empaquetadura de la tapa del depósito de combustible	Se recomienda reemplazar cada 3 años			

●: El servicio debe ser efectuado por un distribuidor de motores de MARUYAMA autorizado.

■: Efectúe el servicio más frecuentemente bajo condiciones polvorientas.

NOTA:

Los intervalos de servicio indicados deben ser usados como guía.

El servicio debe ser efectuado de manera más frecuente en la medida de lo necesario, dependiendo de la condición de operación.

Use aceite de motor de dos tiempos, 50:1 MARUYAMA estándar.



Déclaration de garantie limitée

Les produits commerciaux et industriels Maruyama sont garantis à l'acheteur initial contre tout vice de matière ou vice de fabrication, **à partir de la date d'achat**, et ce, pour les durées suivantes :

Vie pour solides arbre d'entraînement en acier et bobines d'allumage.

5 ans pour l'usage commercial, industriel, et institutionnel.

2 ans pour l'usage résidentiel, et l'usage commercial avec huile d'une marque concurrente.

90 jours pour l'usage locatif.

Moteurs - Reportez-vous à la déclaration de garantie du fabricant correspondant. Uniquement les moteurs Maruyama sont couverts par cette déclaration de garantie limitée.

En cas de défectuosité d'une pièce au cours de la période de garantie, Maruyama, à sa discrétion, sera tenu de la changer ou de la remplacer gratuitement. L'évaluation de la garantie est obtenue en délivrant le produit Maruyama qui semble être défectueux au Service technique d'un distributeur Maruyama agréé dans la période de garantie.

L'acheteur sera exonéré des frais de diagnostic d'une pièce sous garantie si ledit diagnostic est effectué dans un centre de distribution Maruyama agréé. Le remplacement d'une pièce sous garantie non prévu dans le plan de maintenance requise, ou programmé uniquement dans le cadre de la révision ordinaire en vue de sa «réparation ou remplacement si nécessaire» sera couvert pendant la période de garantie. Toute pièce sous garantie remplacée dans le cadre de la maintenance requise est garantie pendant la période précédant le premier point de remplacement prévu pour cette pièce. Maruyama Mfg. Co., Inc. sera tenu responsable des dommages aux autres composants du moteur causés par la défaillance d'une pièce encore sous garantie. Il incombe au propriétaire d'effectuer la maintenance requise, comme décrit par Maruyama Mfg. Co., Inc. dans le MANUEL DU PROPRIETAIRE/ DE L'UTILISATEUR.

GARANTIE DES PIÈCES LIÉES AUX ÉMISSIONS: Outre la couverture de garantie stipulée ci-dessus, Maruyama Mfg. Co., Inc. se chargera de la réparation ou du remplacement, sans frais supplémentaire pour l'acheteur initial et les sous-acquéreurs, d'une pièce liée aux émissions s'avérant défectueuse pour vice de matières et vice de fabrication, pendant une durée de cinq ans (5) à compter de la date de livraison par le détaillant d'origine, excepté le pot catalytique. Le pot catalytique est garanti pour une durée d'un à partir de la date de livraison par le détaillant d'origine. **Les pièces liées aux émissions couvertes par la garantie sont : le carburateur, le système d'allumage, le rotor de distributeur, la bougie, le pot catalytique et le réservoir de carburant.** Toute pièce de rechange qui est de prestations et de durabilité équivalentes peut être utilisée dans des interventions de maintenance ou de réparations hors garantie, et elle ne réduira pas les obligations de garantie de Maruyama Mfg. Co., Inc.

Cette garantie ne couvre pas les conditions suivantes :

1. Eléments de maintenance (à l'exception des vices de matière et vices de fabrication) y compris les tuyaux flexibles, bougies, câbles de démarreur, filtres à air et à carburant, masselottes d'embrayage, isolateurs de vibration, câbles d'accélérateur et dispositifs de coupe, etc.
2. Frais additionnels incluant l'envoi et la manutention, le déplacement, les indemnités pour temps d'inactivité ou de nuisance et d'entreposage.
3. Ajouts ou modifications de pièces de marchés secondaires non autorisées par Maruyama U.S., Inc.
4. Toute défaillance causée par l'usure, un accident, une négligence, une utilisation abusive, des carburants, lubrifiants et mélanges de carburants (le cas échéant) inappropriés, ou une utilisation ou un entretien défectueux du produit découlant du non-respect des instructions fournies par Maruyama.

La réparation ou le remplacement tel que stipulé dans la présente garantie est la solution unique de l'utilisateur. Maruyama ne saurait être tenu responsable des dommages accessoires ou indirects dus à un manquement exprès ou implicite à la garantie de ces produits, sous réserve des limites établies par la loi en vigueur. Toute garantie tacite de qualité marchande ou d'aptitude à un but particulier pour ce produit est limitée par la durée de cette garantie, telle que définie dans la déclaration de garantie limitée. Maruyama se réserve le droit de modifier ou d'améliorer le design du produit sans préavis et décline toute obligation de mettre à jour les produits préalablement fabriqués.

Cette garantie vous offre des droits juridiques spécifiques susceptibles de varier selon la législation particulière d'un État.

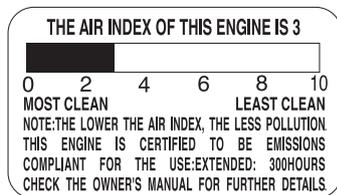
Il incombe au propriétaire et au revendeur de remplir correctement la carte d'enregistrement de la garantie et de l'adresser à la société Maruyama U.S., Inc. Une preuve d'achat et de l'enregistrement sera requise en vue de bénéficier du service de garantie.

Pour localiser le distributeur Maruyama agréé le plus proche, contactez :

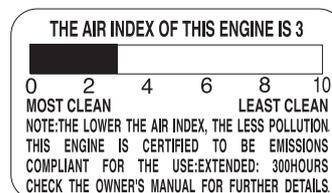
Maruyama U.S., Inc.
4770 Mercantile Drive, suite100,
Fort Worth, TX 76137 U.S.A.
(940)383-7400
maruyama@maruyama-us.com
www.maruyama-us.com

⚠ AVERTISSEMENT: ⚠

L'utilisation, la réparation et la maintenance de ce produit peut vous exposer à des produits chimiques tels que les gaz d'échappement, le monoxyde de carbone, les phtalates, et le plomb, reconnus par l'État de la Californie comme pouvant causer le cancer, des malformations congénitales et d'autres lésions à l'appareil reproducteur. Pour réduire l'exposition à ces produits chimiques, éviter de respirer les gaz d'échappement, réparer l'appareil dans un espace bien ventilé et porter des gants ou se laver fréquemment les mains après toute réparation. Pour en savoir plus, visiter notre site web à l'adresse www.P65warnings.ca.gov.



EH230D



EH270D-S

DÉCLARATION DE GARANTIE DU CONTRÔLE DES ÉMISSIONS DE L'ÉTAT FÉDÉRAL. DROITS ET OBLIGATIONS DÉRIVÉS DE LA GARANTIE

L'Agence de Protection environnementale des États-Unis (EPA) et Maruyama Manufacturing Company, Inc. ont le plaisir d'expliquer la garantie du système de contrôle des émissions concernant votre petit moteur hors route. Les nouveaux petits moteurs hors route modèles 1997 et ultérieurs doivent être conçus, fabriqués et équipés, au moment de la vente, en vue de respecter les réglementations de l'EPA des États-Unis en matière de petits moteurs hors route. Le moteur de l'appareil ne doit présenter aucun vice de matière, ni vice de fabrication susceptibles d'entraver sa conformité aux normes de l'EPA des États-Unis au cours des cinq premières années d'utilisation du moteur, à partir de la date de vente jusqu'au dernier acquéreur. Maruyama Manufacturing Company, Inc. doit garantir le système de contrôle des émissions de votre petit moteur hors route pour la durée indiquée ci-dessus, sous réserve de l'absence d'abus, de négligence ou d'entretien incorrect de celui-ci.

Période de durabilité des émissions : 300 heures.

Votre système de contrôle des émissions doit inclure des pièces telles que le carburateur ou le système d'injection, le système d'allumage, et le pot catalytique. Il doit également inclure les tuyaux flexibles, courroies, et connecteurs, ainsi que les autres systèmes liés aux émissions. Toute pièce sous garantie de votre petit moteur hors route sera gratuitement réparée par Maruyama Manufacturing Company, Inc., y compris le diagnostic (s'il est effectué dans un centre agréé), les pièces et la main d'oeuvre.

COUVERTURE DE GARANTIE DU FABRICANT :

Les petits moteurs hors route modèles 1997 et ultérieurs sont garantis pendant cinq ans. Si une pièce de votre moteur liée aux émissions s'avère défectueuse, la pièce sera réparée ou remplacée gratuitement par Maruyama Manufacturing Company, Inc.

RESPONSABILITÉS DU PROPRIÉTAIRE LIÉES À LA GARANTIE :

- En tant que propriétaire de petit moteur hors route, vous êtes tenu de réaliser la maintenance requise indiquée dans votre manuel du propriétaire/de l'utilisateur. Maruyama Manufacturing Company, Inc. vous recommande de conserver tous vos reçus concernant l'entretien de votre petit moteur hors route, toutefois Maruyama Manufacturing Company, Inc. ne saurait refuser la garantie uniquement en l'absence de reçus ou de la non-réalisation de tous les travaux d'entretien programmés. Toute pièce de rechange ou service qui sont de prestations et de durabilité équivalentes peuvent être utilisés dans des interventions d'entretien ou de réparations hors garantie, sans pour autant réduire les obligations de garantie du fabricant du moteur.
- En tant que propriétaire de petit moteur hors route, vous devez néanmoins savoir que Maruyama Manufacturing Company peut vous refuser la couverture de la garantie si la panne de votre petit moteur hors route ou d'une pièce quelconque sont dus à un abus, à une négligence, à un entretien incorrect ou à des modifications non approuvées.
- Vous êtes tenu de présenter votre petit moteur hors route dans un centre de distribution de Maruyama Manufacturing Company, Inc. dès qu'un problème survient. Les réparations sous garantie doivent être réalisées dans un délai raisonnable de 30 jours.

Si vous avez des questions concernant vos droits et obligations liés à la garantie, vous devez contacter Maruyama U.S., Inc. en appelant le n°1-866-783-7400, o warranty@maruyama-us.com.

COUVERTURE

Maruyama Manufacturing Company, Inc. garantit à l'acheteur initial et aux sous-acquéreurs que le petit moteur hors route sera conçu, fabriqué et équipé, au moment de la vente, en vue de respecter toutes les réglementations en vigueur. Maruyama Manufacturing Company, Inc. garantit également à l'acheteur initial et aux sous-acquéreurs que le petit moteur hors route ne présente aucun vice de matière, ni vice de fabrication susceptibles d'entraver sa conformité aux réglementations en vigueur pendant une durée de cinq ans.

L'EPA oblige les fabricants de ce type de moteurs à respecter les réglementations pendant cinq ans. Ces périodes de garantie commenceront à la date d'achat du petit moteur hors route par l'acheteur initial. En cas de défectuosité de l'une des pièces de votre moteur liée aux émissions, celle-ci sera remplacée gratuitement par Maruyama Manufacturing Company, Inc.

Maruyama Manufacturing Company, Inc. doit réparer ou remplacer toute pièce défectueuse encore sous garantie dans l'un des centres agréés ou de garantie de Maruyama Manufacturing Company, Inc. Tout travail autorisé effectué dans l'un des centres de distribution agréé ou de garantie doit être gratuit s'il est avéré qu'une pièce sous garantie est défectueuse. Il faut utiliser une pièce de remplacement approuvée par le fabricant ou équivalente lors d'une intervention de maintenance ou de réparation de pièces liées aux émissions, couvertes par la garantie. Ces interventions seront gratuites si la garantie est toujours valide. Maruyama Manufacturing Company, Inc. sera tenu responsable des dommages aux autres composants du moteur causés par la défaillance d'une pièce encore sous garantie.

EPA considère que les pièces liées aux émissions sous garantie doivent inclure toutes les pièces énumérées ci-dessous. Ces pièces sous garantie sont : **le carburateur, le système d'allumage, le rotor de distributeur, la bougie, le pot catalytique et le réservoir de carburant.**

MAINTENANCE NÉCESSAIRE

Le propriétaire est tenu de réaliser la maintenance requise telle que définie par Maruyama Manufacturing Company, Inc. dans le manuel du propriétaire/de l'utilisateur.

LIMITATIONS

Cette garantie du système de contrôle des émissions ne couvrira aucune des conditions suivantes:

- (a) réparation ou remplacement d'une pièce consécutivement à une utilisation abusive ou à une négligence, au manquement à la maintenance requise, à des réparations inappropriées ou à des remplacements non conformes aux caractéristiques techniques de Maruyama Manufacturing Company, Inc. susceptibles d'affecter les performances et/ou la durabilité de l'appareil, et aux ajouts ou modifications non recommandés ni approuvés par écrit par Maruyama Manufacturing Company, Inc., et
- (b) remplacement de pièces et d'autres services, réglages nécessaires dans le cadre de la maintenance requise et après le premier point de remplacement programmé.

Partie II: DÉCLARATION DE GARANTIE DE CONTRÔLE DES ÉMISSIONS EN CALIFORNIE DÉCLARATION DE GARANTIE DE CONTRÔLE DES ÉMISSIONS À L'ÉCHAPPEMENT ET PAR ÉVAPORATION EN CALIFORNIE DROITS ET OBLIGATIONS DANS LE CADRE DE LA GARANTIE

Le California Air Resources Board et Maruyama Manufacturing Company, Inc. ont le plaisir de vous informer sur la garantie du système de contrôle des émissions à l'échappement et par évaporation de votre petit moteur non routier année modèle 2020. En Californie, les petits moteurs non routiers neufs doivent être conçus, construits et équipés de sorte à répondre aux normes antibrouillard (de pollution) strictes de cet État. Maruyama Manufacturing Company, Inc. doit garantir le système de contrôle des émissions du petit moteur non routier pour les durées indiquées ci-après à condition qu'il n'y ait eu ni utilisation abusive, ni négligence, ni entretien incorrect de votre petit moteur non routier, ni équipement susceptible d'entraîner une défaillance du système de contrôle des émissions.

Le système de contrôle des émissions peut inclure les pièces suivantes : carburateur, circuit d'injection de carburant, système d'allumage, pot catalytique, réservoirs de carburant, canalisations de carburant (pour le carburant liquide et vapeurs de carburant), bouchons de réservoir de carburant, soupapes, réservoirs à charbon actif, filtres, colliers et autres pièces annexes. Les flexibles, courroies, connecteurs et autres ensembles associés aux émissions peuvent également être inclus.

La liste des pièces sous garantie à émission par évaporation doit inclure toutes les pièces dont la défaillance pourrait augmenter les émissions par évaporation, et pourrait contenir, sans toutefois s'y limiter, les pièces suivantes : réservoir de carburant, bouchon de réservoir de carburant, canalisations de carburant (pour carburant liquide et vapeurs de carburant), raccords des canalisations de carburant, soupapes de sécurité, soupapes de commande, diaphragmes de contrôle du vide, soupapes de purge, connecteur du port de purge du carburateur.

Si une condition couverte par la garantie se présente, Maruyama Manufacturing Company, Inc. s'engage à réparer gratuitement votre petit moteur non routier, et à assumer tous frais découlant du diagnostic, des pièces et de main-d'œuvre.

COUVERTURE DE LA GARANTIE DU FABRICANT :

Le système de contrôle des émissions à l'échappement et par évaporation de votre petit moteur non routier est couvert pour une période de cinq ans. Toute pièce du moteur associée aux émissions s'avérant défectueuse sera réparée ou remplacée par Maruyama Manufacturing Company, Inc.

RESPONSABILITÉS DU PROPRIÉTAIRE EN VERTU DE LA GARANTIE :

- Le propriétaire d'un petit moteur non routier est tenu de respecter le calendrier des entretiens requis stipulé dans le manuel d'utilisation. Maruyama Manufacturing Company, Inc. recommande au propriétaire de conserver tous les reçus se rapportant à l'entretien du petit moteur non routier. Toutefois Maruyama Manufacturing Company, Inc. ne peut pas refuser les réclamations sous garantie uniquement parce que les reçus sont manquants ou que le propriétaire n'a pas vérifié que toutes les opérations périodiques d'entretien ont été réalisées.
- Le propriétaire du petit moteur non routier doit toutefois savoir que Maruyama Manufacturing Company, Inc. peut refuser d'honorer la garantie si le moteur ou l'une de ses pièces a fait l'objet d'abus, de négligence, d'un entretien incorrect ou de modifications non approuvées.
- Le propriétaire est tenu de présenter le petit moteur non routier à un centre de distribution ou à un centre de services agréé Maruyama Manufacturing Company, Inc. dès l'apparition d'un problème. Les réparations couvertes par la garantie devraient être effectuées dans un délai raisonnable ne dépassant pas 30 jours.

Pour toute question sur vos droits et responsabilités dans le cadre de la garantie, adressez-vous à Maruyama Manufacturing Company, Inc. en appelant le **1-866-783-7400**, ou en envoyant un courriel à warranty@maruyama-us.com.

La liste des pièces sous garantie à émission **par évaporation** doit inclure toutes les pièces dont la défaillance pourrait augmenter les émissions par évaporation, et pourrait contenir, sans toutefois s'y limiter, les pièces suivantes :

- (1) Réservoir de carburant
- (2) Bouchon de réservoir de carburant
- (3) Canalisations de carburant (pour carburant liquide et vapeurs de carburant)
- (4) Raccords des canalisations de carburant
- (5) Soupapes de sécurité
- (6) Soupapes de commande
- (7) Diaphragmes de contrôle du vide
- (8) Soupapes de purge
- (9) Connecteur du port de purge du carburateur

La liste des pièces sous garantie à émission **par évaporation** doit inclure toutes les pièces dont la défaillance pourrait augmenter les émissions par évaporation, et pourrait contenir, sans toutefois s'y limiter, les pièces suivantes :

- (1) Système de dosage du carburant
 - (A) Carburateur et pièces internes
- (2) Système d'enrichissement pour démarrage à froid
- (3) Système d'entrée d'air chaud contrôlé
- (4) Filtre à air
- (5) Système d'allumage
- (6) Bougie
- (7) Système d'allumage électronique ou électromagnétique
- (8) Système d'avance/retard à l'allumage
- (9) Système de recyclage des gaz d'échappement (RGE)
- (10) Boîtier de soupapes RGE, et espaceur carburateur, le cas échéant
- (11) Pompe à air ou vanne pulsatrice

Sommaire

	Page FR-
Déclaration de garantie limitée.....	1
CONTRÔLE DES ÉMISSIONS DE L'ÉTAT FÉDÉRAL.....	3
CONTRÔLE DES ÉMISSIONS EN CALIFORNIE	4
Sommaire.....	6
Introduction.....	6
Sécurité	7
Sécurité de l'utilisateur.....	7
Sécurité du taille-haie	7
Sécurité du carburant	8
Sécurité d'utilisation du taille-haie	8
Description du produit.....	9
Étiquettes de sécurité et instructions.....	9
Montage	10
Assemblage du moteur et de l'arbre de transmission.....	10
Connexion du câbles du bouton d'arrêt.....	10
Connexion du câbles d'accélérateur	10
Montage de la poignée avant.....	11
Avant utilisation.....	11
Huile et carburant.....	11
Mélange d'essence et d'huile.....	12
Mise en marche et arrêt.....	13
Instruction de la gâchette d'accélérateur.....	15
Utilisation.....	15
Position de fonctionnement	15
Entretien	16
Réglage du ralenti.....	16
Filtre à air	17
Filtre à carburant	18
Bougie.....	18
Ailettes de refroidissement du cylindre	19
Pare-étincelles	19
Silencieux d'échappement	20
Réglages des lames de coupe	20
Maintenance des lames de coupe	20
Lubrification.....	20
Nettoyage et serrage normaux.....	21
Remisage.....	21
Dépannage	22
Période d'entretien	22
Spécifications.....	Fin de ce manuel

Introduction

Nous vous remercions d'avoir acheté un produit MARUYAMA.

MARUYAMA, ses distributeurs et ses concessionnaires tiennent à votre complète satisfaction de ce nouveau Produit. Veuillez contacter votre concessionnaire d'entretien agréé pour toute assistance en matière d'entretien, de pièces MARUYAMA d'origine ou pour tout renseignement dont vous pourriez avoir besoin.

Que vous contactiez votre concessionnaire agréé ou l'usine, prévoyez le numéro de modèle et de série du produit. Ce numéro aidera le concessionnaire ou le représentant à vous donner les informations exactes relatives à votre produit. Vous trouverez le numéro de modèle et de série dans un endroit spécial, sur le produit. (Description du produit page FR-9).

Pour référence ultérieure, notez cette information dans l'espace ci-dessous.

Nom de modèle _____
N° de série _____

Veuillez lire attentivement ce manuel afin d'apprendre comment utiliser correctement votre produit. La lecture de ce manuel permettra d'éviter, à vous et aux autres, des accidents corporels et des dommages au produit.

Bien que MARUYAMA conçoive, produise et commercialise des produits sûrs et de pointe, il est de votre responsabilité d'utiliser votre nouveau taille-haie correctement et de façon sûre. (Vous être également responsable de la formation sur l'utilisation en toute sécurité par toute personne à qui vous en autoriserez l'utilisation.)

Le système d'avertissement de MARUYAMA dans ce manuel identifie les dangers potentiels et comprend des messages de sécurité spéciaux permettant d'éviter des blessures, voire la mort. DANGER, AVERTISSEMENT et ATTENTION sont les mots utilisés pour identifier le niveau de danger. Cependant, quel que soit le niveau de danger, soyez extrêmement prudent.

DANGER signale un danger extrême à l'origine de blessures graves, voire mortelles, si les précautions recommandées ne sont pas respectées.

AVERTISSEMENT signale un danger à l'origine de blessures graves, voire mortelles, si les précautions recommandées ne sont pas respectées.

ATTENTION signale un danger à l'origine de blessures mineures ou modérées si les précautions recommandées ne sont pas respectées. Deux autres termes sont également utilisés pour mettre des informations en évidence. "Important" attire l'attention sur des informations mécaniques spéciales et "Remarque" met l'accent sur des généralités méritant une attention spéciale.

Sécurité

Sécurité de l'utilisateur

1. Lisez et assimilez ce manuel du propriétaire/de l'utilisateur avant d'utiliser ce produit. Familiarisez-vous bien avec l'utilisation correcte de ce matériel.
2. Ne laissez jamais des enfants utiliser le taille-haie. Ce n'est pas un jouet. Ne laissez jamais des adultes utiliser la machine sans qu'ils aient lu le manuel du propriétaire/de l'utilisateur.
3. Portez toujours des lunettes de protection conformes à Z87- 1 de l'ANSI (American National Standards Institute).



4. Portez des protège-oreilles.



5. Portez toujours un pantalon épais, des manches longues, des bottes et des gants. Ne portez jamais de vêtements amples, de bijoux, de shorts, de sandales et ne soyez jamais pieds nus. Arrangez vos cheveux pour qu'ils ne descendent pas en dessous des épaules.
6. N'utilisez jamais ce taille-haie si vous êtes fatigué, malade ou sous l'influence d'alcool, de drogue ou de médicaments.

7. Ne mettez jamais le moteur en marche ou ne le faites jamais tourner dans une salle ou un bâtiment fermé. Respirer des gaz d'échappement peut être mortel.



8. Eviter de salir les poignées avec de l'huile, du carburant ou de la terre.

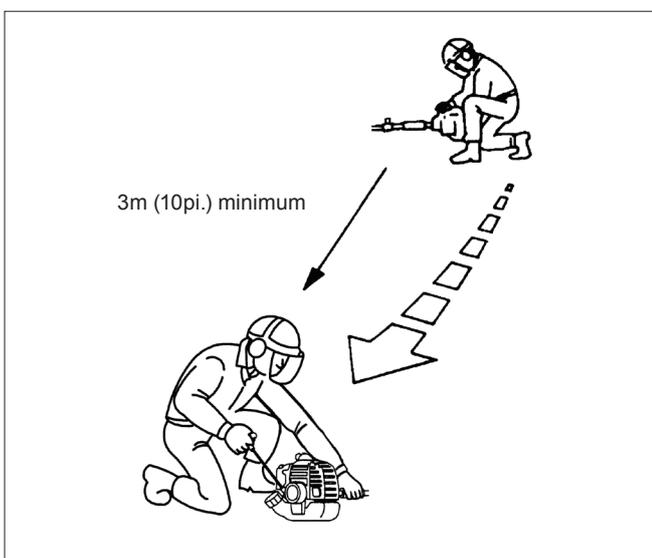
Sécurité du taille-haie

1. Assurez-vous que le taille-haie.
2. Avant chaque utilisation, inspectez le taille-haie et remplacez les pièces endommagées. Assurez-vous qu'il n'y a pas de fuites de carburant. Assurez-vous que toute la visserie est en place et bien serrée. Suivez les instructions d'entretien commençant à la page FR-16.
3. Assurez-vous que les lames, déplacer ne fonctionne pas quand le moteur est au ralenti. Référez-vous à réglage du ralenti page FR-16.
4. Avant d'utiliser le taille-haie, vérifiez les lames et remplacez toutes les pièces qui sont fendues, ébréchées ou endommagées.
5. Ne saisissez aucune autre pièce que la poignée lors du réglage de l'angle des lames. Arrêtez le moteur lorsque vous réglez l'angle des lames.
6. N'utilisez jamais une les lames ou des pièces de rechange qui ne soient pas approuvées par MARUYAMA.
7. Effectuez l'entretien du taille-haie conformément aux intervalles d'entretien recommandés et aux procédures détaillés au chapitre Entretien commençant à la page FR-16.
8. Avant d'inverser la fonction taille-haie, d'effectuer l'entretien ou de travailler sur la machine, éteignez le moteur et assurez-vous que les lames est à l'arrêt complet.
9. En cas de problèmes de fonctionnement ou de vibrations excessives, arrêtez immédiatement la machine et inspectez-la pour en trouver la cause. Si la cause ne peut pas être déterminée ou si vous ne pouvez pas la corriger, renvoyez le taille-haie à votre concessionnaire pour réparation.

10. Les gaz d'échappement sont extrêmement chauds. Gardez les matériaux inflammables, les personnes et les animaux à 1 m (3 pi.) de la direction d'échappement du silencieux. Ne bloquez pas les gaz d'échappement d'objets. Il existe un risque de blocage du feu et de brûlure.
11. Pendant le fonctionnement et le ralenti, le moteur est très chaud. En outre, pendant un certain temps après l'arrêt du moteur, le moteur est chaud. Ne placez pas le moteur à proximité de matériaux inflammables tels que de l'herbe séchée. Il y a un risque d'incendie.

Sécurité du carburant

1. L'essence est hautement inflammable et doit être manipulée et stockée avec précaution. Utilisez un bidon approuvé pour le stockage d'essence et/ou de mélange carburant/huile.
2. Mélangez et versez le carburant à l'extérieur, à l'écart des étincelles et des flammes.
3. Ne fumez pas à côté d'un bidon de carburant ou du taille-haie ou lorsque vous utilisez le taille-haie.
4. Ne remplissez pas trop le réservoir de carburant. Arrêtez le remplissage entre 6 mm et 13 mm (1/4 - 1/2 po.) du haut du réservoir.
5. Essuyez tout carburant renversé avant de mettre le moteur en marche.
6. Éloignez le taille-haie d'au moins 3 m (10 pi.) de l'emplacement de remplissage en carburant avant de mettre le moteur en marche.

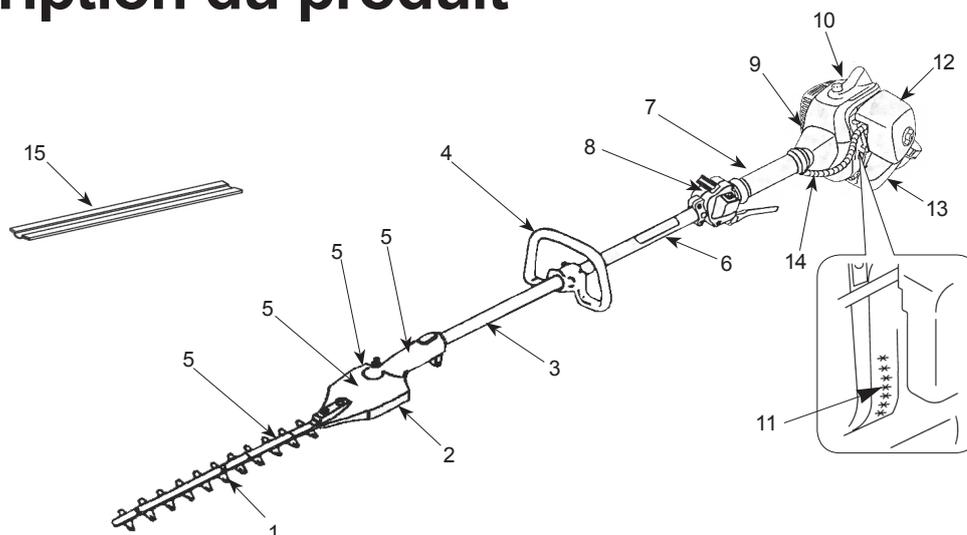


7. Ne retirez pas le bouchon du réservoir de carburant quand le moteur tourne ou immédiatement après l'arrêt du moteur.
8. Laissez le moteur se refroidir avant de refaire le plein.
9. Videz le réservoir de carburant et faites tourner le moteur jusqu'à épuisement du carburant avant de ranger l'appareil.
10. Remisez le carburant et le taille-haie à l'écart des flammes nues, des étincelles et à l'abri de la chaleur excessive. Assurez-vous que les vapeurs ne peuvent pas atteindre d'étincelles de chauffe-eau, de chaudières, de moteurs électriques, etc.

Sécurité d'utilisation du taille-haie

1. CE TAILLE-HAIE PEUT CAUSER DES BLESSURES GRAVES. Lisez les instructions avec attention. Ayez connaissance de toutes les commandes et de l'utilisation correcte du taille-haie.
2. Avant de commencer, inspectez la zone de travail. Otez toutes les ficelles, cordes ou toutes matières similaires qui peuvent s'emmêler dans les lames.
3. Tenir les enfants, les passants et les animaux à l'extérieur de la zone d'exploitation.
4. Si vous êtes approché alors que vous utilisez le taille-haie, arrêtez le moteur et les lames.
5. Ne laissez jamais des enfants utiliser le taille-haie.
6. N'utilisez le taille-haie qu'à la lumière du jour ou sous un éclairage artificiel adéquat.
7. Gardez toujours le taille-haie à votre côté droit.
8. N'approchez pas vos mains ou vos pieds près de ou sous toute pièce mobile. Écartez-vous toujours. N'approchez jamais les mains ou les pieds des pièces mobiles. Ne vous approchez pas des surfaces chaudes telles que le silencieux.
9. Placez bien vos pieds en équilibre. N'essayez pas d'augmenter votre portée.
10. Ne pas utiliser le taille-haie en position debout sur une échelle ou un support similaire temporaire.
11. Utilisez l'outil convenant à la tâche. N'utilisez pas le taille-haie pour un travail pour lequel il n'est pas recommandé par MARUYAMA.

Description du produit



- | | |
|--|--|
| 1. Lames et Guide-chaîne | 9. Carter du tambour d'embrayage |
| 2. Renvoi d'angle | 10. Moteur |
| 3. Arbre de transmission | 11. Numéro de série (sur le côté du moteur) |
| 4. Poignée Avant | 12. Filtre à air |
| 5. Étiquettes de sécurité | 13. Réservoir de carburant |
| 6. Nom du modèle | 14. Câble d'accélérateur et câbles du bouton d'arrêt |
| 7. Poignée de arbre | 15. Couverture de lame |
| 8. Gâchette d'accélérateur et bouton d'arrêt | |

Étiquettes de sécurité et instructions



Les étiquettes de sécurité sont facilement visibles par l'utilisateur et sont situées près de toute zone de danger potentiel. Remplacez toute étiquette endommagée ou perdue.

CAUTION : Extremely sharp blades. Do not touch.

SUR LA GUIDE-LAME
(Pièce No.235595)



SUR LE CARTER D'ENGRENAGES
(Pièce No.423331)



SUR LE CARTER D'ENGRENAGES
(Pièce No.423332)



SUR LE CARTER D'ENGRENAGES
(Pièce No.423333)



Si vous manipulez cette machine de manière incorrecte, des accidents peuvent causer des blessures graves ou la mort. Lisez attentivement ce manuel. Familiarisez-vous avec les commandes et le fonctionnement du taille-haie.



Veillez lire attentivement manuel du propriétaire/de l'utilisateur.



Toujours veiller porter des lunettes de protection, une protection acoustique et un casque de protection lors de l'utilisation de la tailleuse universelle.

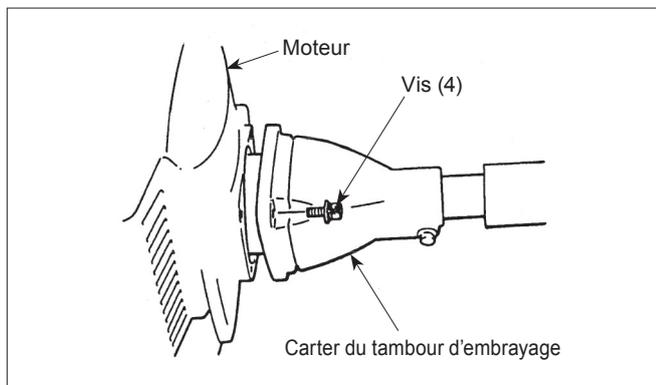


Ne pas approcher ses mains des lames.

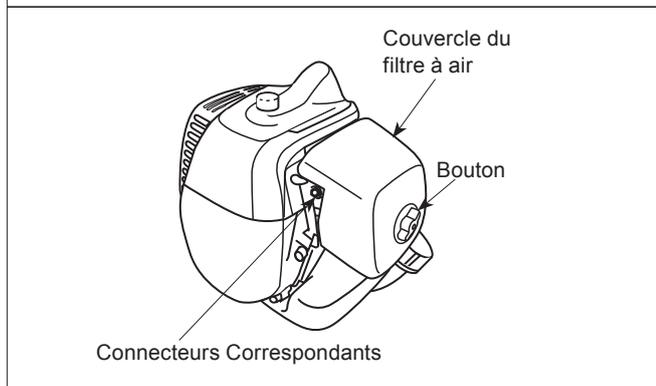
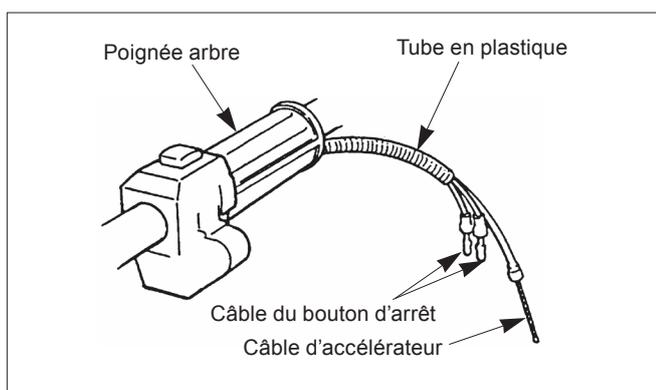
Montage

Assemblage du moteur et de l'arbre de transmission

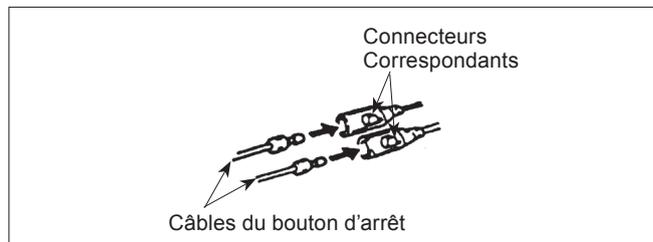
Assembler le carter du tambour d'embrayage au moteur à l'aide des quatre vis fournies.



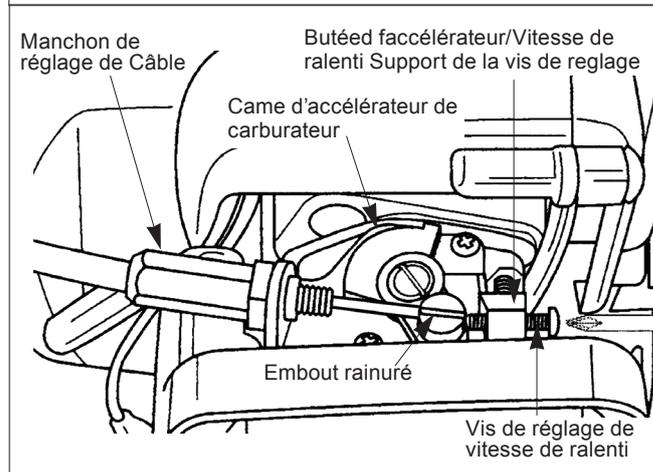
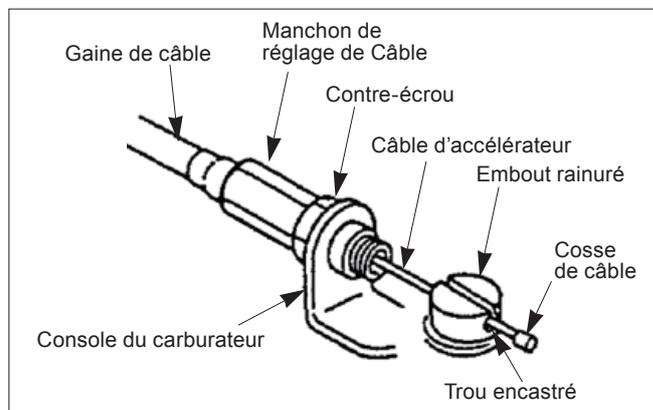
Connexion du câbles du bouton d'arrêt



1. Installez le tube en plastique (fourni avec l'ensemble arbre de transmission) autour le câble d'accélérateur et fils de l'interrupteur d'arrêt.
2. Desserrez le bouton et retirez le couvercle du filtre à air pour accéder à l'arrêt passer les fils.
3. Branchez les fils de l'interrupteur d'arrêt dans les connecteurs correspondants de la moteur. Notez que la polarité des fils n'est pas important.



Connexion du câbles d'accélérateur

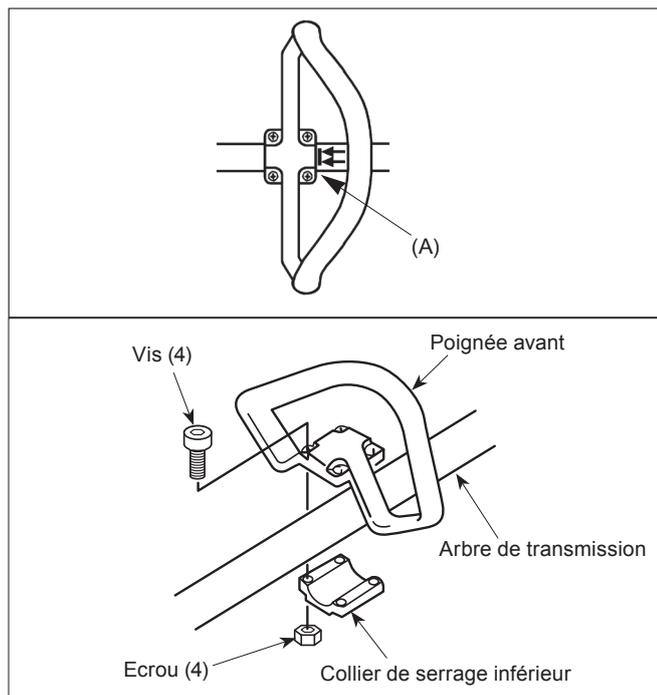


1. Dévissez le bouton et retirez le couvercle du filtre à air, insérez le câble d'accélérateur à travers le manchon de réglage de câble du console du carburateur. Assurez-vous que l'extrémité de la gaine de câble est correctement mise en place dans le manchon.
2. Placez l'embout rainuré du carburateur de sorte que l'orifice fraisé de la cosse de câble soit éloigné du manchon de réglage de câble.
3. Tournez la came d'accélérateur du carburateur dans le sens horaire et faites glisser le câble d'accélérateur dans la fente de l'embout rainuré, en vous assurant que la cosse de câble passe dans l'orifice fraisé.
4. Activez la gâchette d'accélérateur à quelques reprises pour vous assurer qu'elle fonctionne justement.
5. Régler de le réglage du câble afin que la butée sur

la came d'accélérateur de carburateur soit en contact avec la vis de réglage de vitesse de ralenti. Et afin que la position du câble conserve un jeu de 1-2 mm entre la cosse de câble et la embout rainuré quand la gâchette d'accélération est complètement enfoncée.

6. Une fois le câble d'accélérateur correctement ajusté, serrez le contre-écrou.
7. Réassemblez le couvercle du filtre.

Montage de la poignée avant



La poignée doit être assemblée au côté du renvoi d'angle à partir de la flèche (A).

1. Placez l'poignée avant et le collier de serrage inférieur sur le arbre de transmission.
2. Installez les quatre vis et les ecrou. Quittez les vis étanchées au doigt.
3. Replacez l'poignée avant en haut ou en bas l'arbre de transmission à la position la plus confortable, mais ne passez pas à la flèche.
4. Serrez les vis et les ecrou.



Avant utilisation

Huile et carburant

⚠ DANGER

DANGER POTENTIEL

- Dans certaines conditions, l'essence est très inflammable et présente de grands risques d'explosion.

CE QUI PEUT SE PASSER

- Un feu ou une explosion dus au carburant peut vous brûler, brûler les autres et causer des dommages matériels.

COMMENT ÉVITER LE DANGER

- Utilisez un entonnoir et remplissez le réservoir de carburant à l'extérieur, dans une zone découverte, alors que le moteur est froid. Essuyez tout le carburant qui se serait renversé.
- Ne fumez jamais lorsque vous manipulez un carburant et restez éloigné d'un feu nu ou de tout endroit où le carburant peut être enflammé par une étincelle.
- Ne remplissez pas totalement le réservoir de carburant. Ajoutez le carburant dans le réservoir de carburant jusqu'à atteindre un niveau de 6 mm à 13 mm (1/4 à 1/2 po.) du haut du réservoir. Cet espace vide dans le réservoir permet au carburant de se dilater.
- Stockez le carburant dans un contenant approuvé et ne le laissez pas à la portée des enfants.
- N'achetez jamais plus de 30 jours de réserve de carburant.

1. Ne fumez pas près de carburant.
2. Mélangez et versez le carburant à l'extérieur, dans un endroit éloigné d'étincelles ou de flammes.
3. Éteignez toujours le moteur avant de remettre du carburant. N'ôtez jamais le bouchon du réservoir de carburant alors que le moteur est en marche ou aussitôt après avoir arrêté le moteur.
4. Ouvrez toujours lentement le bouchon du réservoir de carburant pour libérer petit à petit toute surpression possible à l'intérieur du réservoir.
5. Ne remplissez pas trop le réservoir de carburant. Arrêtez de le remplir à 6 mm-13 mm (1/4-1/2 po.) du haut du réservoir.

⚠ AVERTISSEMENT

DANGER POTENTIEL

- L'essence contient des gaz qui peuvent accumuler de la pression à l'intérieur du réservoir de carburant.

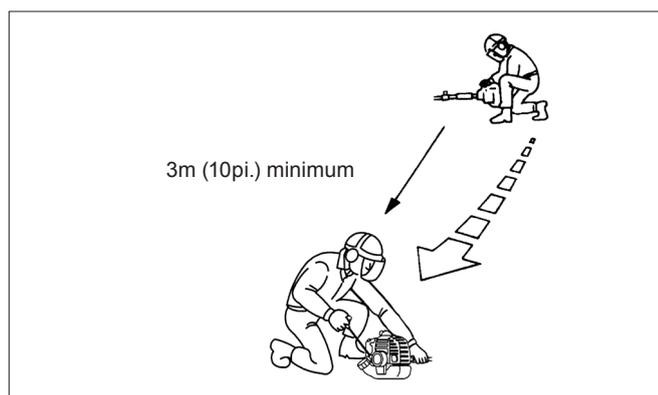
CE QUI PEUT SE PASSER

- Du carburant peut être pulvérisé lorsque vous ôtez le bouchon de carburant.

COMMENT ÉVITER LE DANGER

- Ôtez lentement le bouchon de carburant afin d'éviter des blessures dues à la vaporisation de carburant.

6. Serrez bien le bouchon du réservoir de carburant, après avoir fait le remplissage.
7. Essuyez tout carburant renversé avant de démarrer le moteur.
8. Déplacez le taille-haie à au moins 3m(10pi.) du lieu de remplissage et du contenant de carburant, avant de démarrer le moteur.



Type d'huile recommandé

Pour le mélange de carburant, n'utilisez que de l'huile deux temps MARUYAMA 50 : 1 ou une huile de qualité élaborée pour les moteurs deux temps à hautes performances, à refroidissement par air.

IMPORTANT: N'utilisez pas d'huiles certifiées Marine Manufacturer's Association (NMMA) ou BIA. Ces types d'huile moteur deux temps ne comportent pas les additifs convenant aux moteurs deux temps à refroidissement par air et risquent d'endommager le moteur.

N'utilisez pas d'huile moteur automobile. Ce type d'huile moteur ne comporte pas les additifs convenant aux moteurs deux temps à refroidissement par air et risque d'endommager le moteur.

Type de carburant recommandé

Utilisez de l'essence sans plomb fraîche et propre, y compris de l'essence *oxygénée ou reformulée*, avec un niveau d'octane supérieur ou égal à 89. Afin d'assurer la fraîcheur de l'essence, ne l'achetez qu'en une quantité nécessaire pour 30 jours. L'utilisation d'essence sans plomb réduit les dépôts dans la chambre de combustion et allonge la durée de vie de la bougie. L'utilisation d'une essence super n'est ni nécessaire ni recommandée.

Utilisation d'additifs de carburants

IMPORTANT: JAMAIS UTILISER D'ALCOOL, GASOLE CONTENANT PLUS DE 10% DE L'ALCOOL PARCE CARBURANT SYSTÈME POURRAIT ÊTRE ENDOMMAGÉE.

N'UTILISEZ JAMAIS D'ADDITIFS AUTRES QUE CEUX FABRIQUÉS POUR LA STABILISATION DU CARBURANT LORS DU STOCKAGE, TEL LE STABILISATEUR/CONDITIONNEUR DE MARUYAMA OU UN PRODUIT SIMILAIRE. LE STABILISATEUR/CONDITIONNEUR DE MARUYAMA EST UN STABILISATEUR/CONDITIONNEUR À BASE DE DISTILLAT DE PÉTROLE.

MARUYAMA NE RECOMMANDE PAS DE STABILISATEURS A BASE D'ALCOOL TELS QUE L'ETHANOL, LE METHANOL OU L'ISOPROPYLE. N'UTILISEZ PAS D'ADDITIFS POUR TENTER D'AMÉLIORER LA PUISSANCE OU LES PERFORMANCES DE LA MACHINES.

Mélange d'essence et d'huile

IMPORTANT: Le moteur utilisé avec ce taille-haie est à deux temps. Les pièces mobiles internes du moteur, à savoir, le vilebrequin, les roulements, les paliers des axes de piston et les surfaces de contact entre le piston et la paroi, nécessitent un mélange d'huile avec l'essence pour la lubrification.

L'absence d'apport d'huile à l'essence ou le mélange d'huile avec l'essence dans des proportions inadéquates provoquera de graves dégâts au moteur et annule la garantie.

Pour le pré-mélange de carburant, utilisez l'huile deux temps MARUYAMA Premium

Mix, ou son équivalent, ISO-L-EGD & JASO FC avec une qualité supérieure minimum de 89 octanes. L'huile 2-temps MARUYAMA est spécialement formulée pour répondre aux exigences des moteurs 2-temps de haute performance et à faible taux d'émission d'air. L'utilisation d'autres huiles peut engendrer des problèmes de maintenance qui ne seront peut-être pas couverts par la garantie.

Mélange de carburant

Le rapport d'huile est de 50 parties d'essence pour une partie d'huile, soit 50 : 1.



REMARQUE: N'utilisez jamais un rapport de mélange inférieur à 50 : 1, quelles que soient les instructions de mélange figurant sur le bidon d'huile.

Un rapport inférieur à 50 : 1 (60 : 1, 80 : 1, 100 : 1, par exemple) réduit la lubrification des pièces internes du moteur et risque d'endommager celui-ci.

Tableau de mélange de carburant

Essence	50:1 huile du 2-temps
1 gallon	2.6 oz.
2 gallons	5.1 oz.
5 gallons	12.8 oz.
1 litre	20 mL
5 litres	100 mL

Instructions de mélange

IMPORTANT: Ne mélangez jamais l'essence et l'huile directement dans le réservoir de carburant du taille-haie.

1. Mélangez toujours le carburant et l'huile dans un récipient propre approuvé pour l'essence.
2. Marquez le bidon pour l'identifier comme mélange pour le taille-haie.
3. Remplissez le récipient d'essence sans plomb ordinaire jusqu'à la moitié de la quantité d'essence nécessaire.

4. Ajoutez la quantité correcte d'huile et ensuite le reste d'essence.
5. Fermez le bidon et secouez-le pour mélanger l'huile et l'essence avant de remplir le réservoir du taille-haie.
6. Lors du remplissage du réservoir de carburant du taille-haie, nettoyez autour du bouchon pour éviter que la poussière et les débris ne pénètrent dans le réservoir lors du retrait du bouchon.
7. Secouez toujours le bidon de mélange de carburant momentanément avant de remplir le réservoir de carburant.
8. Utilisez toujours un bec verseur ou un entonnoir lors du plein pour éviter un déversement.
9. Ne remplissez le réservoir qu'à 6 mm- 13 mm (1/4 - 1/2 po.) du haut du réservoir. Évitez de remplir le réservoir jusqu'en haut.

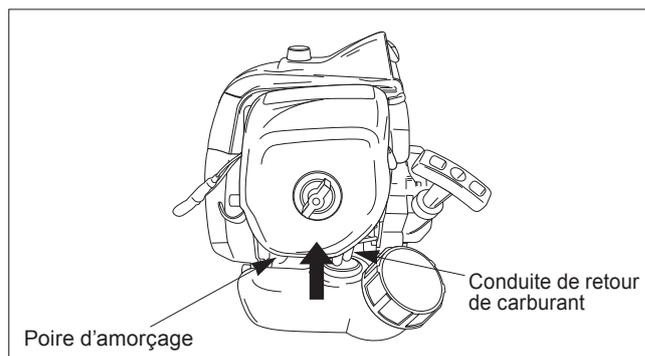
Mise en marche et arrêt

Avant de mettre le moteur en marche

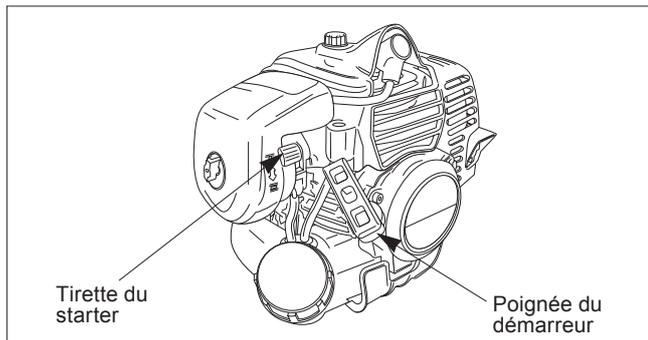
1. Remplissez le réservoir de carburant comme indiqué au chapitre Avant utilisation de ce manuel. (page FR-11).
2. Mettez le taille-haie par terre.
3. Assurez-vous que la zone ne comporte pas de verre cassé, de clous, de fils, de clous, de câbles, de cailloux ou d'autres débris.
4. Ne laissez pas les passants, enfants et animaux s'approcher de la zone de travail.

Mise en marche du moteur à froid

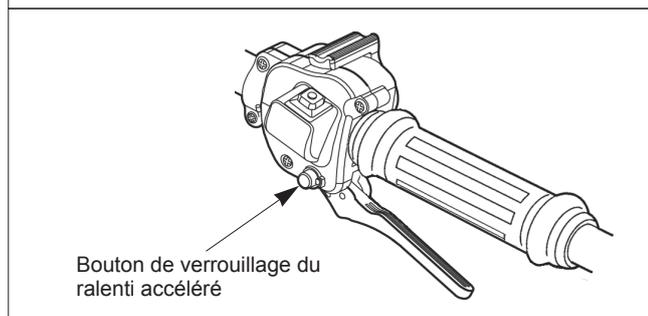
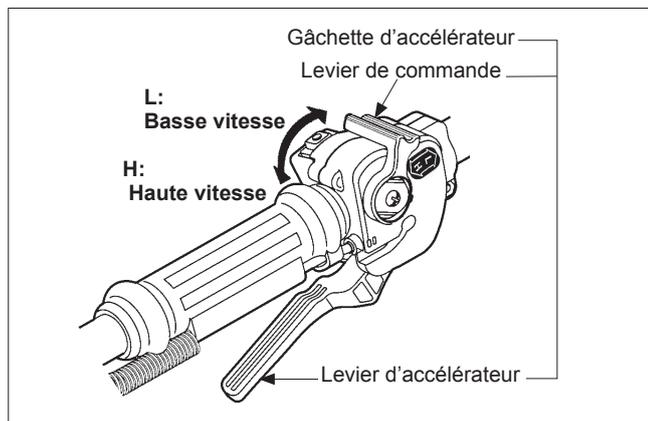
Le carburateur de ce moteur est équipé d'une poire d'amorçage et d'un starter. Pour mettre en marche un moteur "à froid" correctement, veuillez suivre la procédure suivante:



1. Pompez la poire d'amorçage jusqu'à ce que l'essence soit visible et s'écoule dans la conduite de retour de carburant dans le réservoir. (L'essence d'écoulant doit être presque transparente, sans mousse ni pleine de bulles d'air.)



2. Mettez la tirette du starter du démarreur en position fermée (). Et déplacer le levier de commande du côté à vitesse élevée d'environ 1,2cm à partir du côté basse vitesse.



3. Saisissez le levier d'accélérateur puis appuyez sur le bouton de verrouillage du ralenti accéléré. Relâchez la main en maintenant le bouton de verrouillage du ralenti accéléré pour verrouiller le ralenti accéléré
4. Tirez sur la poignée de démarrage operation.
5. Quand le moteur tourne, serrez et relâchez le câble de le levier d'accélérateur pour lui permettre de retourner en position de ralenti. Puis tournez la tirette du starter en position Ouvert ().

Si le moteur s'arrête de tourner avant que vous mettiez le tirette du starter en position ouvert (): Ouvrez le tirette du starter, tirez sur la poignée du démarreur, tout en maintenant le câble de la gâchette d'accélérateur en position ralenti accéléré.

AVERTISSEMENT

DANGER POTENTIEL

- Les composants de votre recoilstarter Assemblée sont sous tension de ressort élevée. Se il est mal démonté ces pièces vous maystrike avec une force considérable, pouvant entraîner enjuillet personnel.

CE QUI PEUT SE PASSER

- Contact avec les pièces peut causer sévère blessures.

COMMENT ÉVITER LE DANGER

- Ne tentez jamais de démonter votre reculer ensemble démarreur-vous. Consultez toujours votre autorisée MARUYAMA revendeur pour réparation par un personnel qualifié Les techniciens de service.

ATTENTION

- Ne tirez pas sur le cordon du démarreur jusqu'au bout.

Redémarrage à chaud

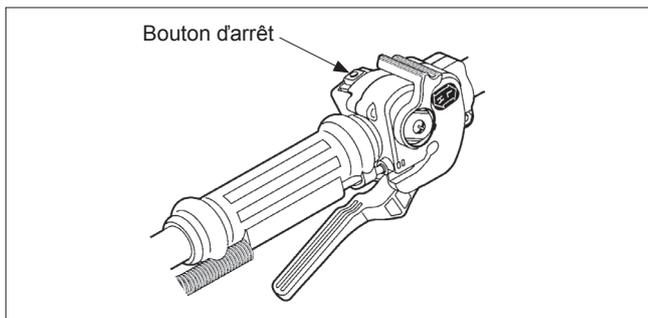
Pour démarrer un moteur qui est déjà réchauffé (redémarrage à chaud), ou si la température ambiante est supérieure à 20°C (68°F):

1. Pompez la poire d'amorçage jusqu'à ce que l'essence soit visible et s'écoule dans la conduite de retour de carburant dans le réservoir. (L'essence d'écoulant doit être presque transparente, sans mousse ni pleine de bulles d'air.)
2. Mettez la tirette du starter en position ouverte ().
3. Laissez la gâchette d'accélérateur à mi-régime et tirez la poignée du démarreur.
4. Si le moteur ne démarre pas après trois à quatre tentatives, suivez les instructions dans le mise en marche du moteur à froid Section Procédure (FR-13).

Si le moteur ne démarre pas après que vous avez suivi la procédure, contactez un concessionnaire agréé MARUYAMA.

Arrêt du moteur:

1. Relâchez le levier d'accélérateur.
2. Appuyez sur le bouton d'arrêt de la gâchette d'accélérateur jusqu'à ce que le moteur s'arrête.

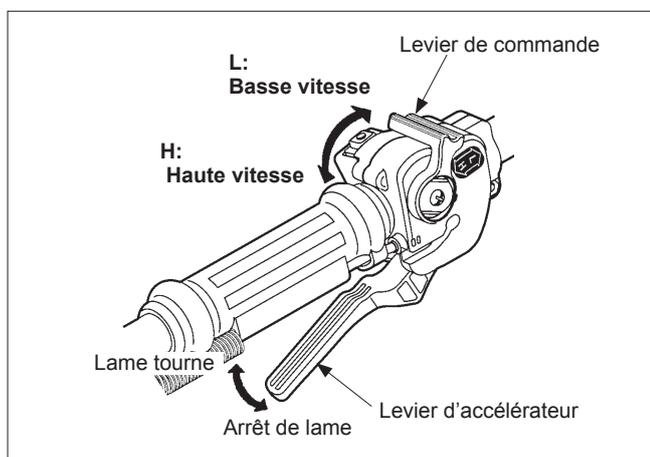


Instruction de la gâchette d'accélérateur

Démarrer la rotation de la lame

1. Saisissez le levier d'accélérateur.
2. Déplacez lentement le levier de commande sur le côté haute vitesse.
3. Ensuite, le régime moteur augmente progressivement et la lame commence à tourner.
4. Réglez la vitesse de rotation de la lame à l'aide du levier de commande.

Remarque: La vitesse du moteur n'augmente pas en saisissant le levier d'accélérateur. Si le levier de commande est complètement positionné du côté basse vitesse.



Arrêter la rotation de la lame

1. Le régime moteur sera réduit au ralenti en déplaçant complètement le levier de commande en position de vitesse lente ou en relâchant le levier d'accélérateur.
2. Si vous n'avez pas modifié la position du levier de commande, le régime du moteur revient à la vitesse initiale lorsque vous saisissez à nouveau le levier d'accélérateur.

Utilisation

⚠ ATTENTION

- Lisez les instructions de sécurité à la page FR-7 concernant l'utilisation correcte de taille-haie.

Position de fonctionnement

Avant d'utiliser le taille-haie, vérifiez les aspects suivants.

1. Tenez toujours le taille-haie sur le côté droit de votre corps.
2. La main droite de l'utilisateur doit tenir la poignée de l'arbre, et ses doigts la gâchette d'accélérateur.
3. La main gauche doit tenir la poignée de l'arbre, avec les doigts et le pouce saisissant complètement la poignée.
4. Répartissez uniformément le poids du taille-haie entre les deux bras. Ne touchez pas les bords tranchants des lames de coupe. Les lames sont très affûtées et dangereuses à tout moment. Portez toujours des gants pour éviter de vous blesser aux mains et aux doigts.

⚠ ATTENTION

- Ne pas toucher les bords aiguisés des lames. Les lames sont extrêmement tranchantes et donc dangereuses. Toujours porter des gants et les équipements de protection.

5. Assurez-vous que les lames de coupe sont en mouvement (au moins à demi-accélération) avant

de commencer la coupe. Le taille-haie donne de meilleurs résultats à pleins gaz.

6. Relâchez toujours la gâchette d'accélérateur et laissez le moteur retourner en vitesse de ralenti lorsque l'appareil n'est pas utilisé pour la coupe.
7. Arrêtez le moteur lorsque vous déplacez d'une zone de travail à une autre. Arrêtez immédiatement le moteur si la lame se coince.

ATTENTION

- **L'épaisseur des branches que vous pouvez couper avec cet appareil est limitée à environ 4.8mm (3/16 po.).**

Ne tentez en aucun cas de couper des branches plus épaisses, sinon l'appareil risque de s'endommager.

- Si les lames s'enrayent, arrêter le moteur immédiatement.
- S'assurer que toutes les pièces en mouvement sont arrêtées, et déconnecter la bougie d'allumage avant de vérifier l'état de la machine.
- Ne jamais se servir d'une machine dont les lames sont fêlées, éclatées ou cassées.

Entretien

L'entretien, le remplacement ou la réparation des dispositifs et des systèmes de contrôle des émissions peuvent être effectués par tout établissement de réparation ou particulier, cependant, les réparations sous garantie doivent être effectuées par un concessionnaire ou un centre d'entretien agréé par MARUYAMA Manufacturing Company, Inc. L'utilisation de pièces qui ne sont pas équivalentes en performance et durabilité aux pièces homologuées risque de compromettre l'efficacité du système de contrôle de la pollution d'avoir une incidence sur le résultat d'une réclamation sous garantie.

Entretien sur les moteurs à faible émission d'aujourd'hui est encore plus critique pour la plus longue vie et une meilleure performance. Particulièrement critique sont des filtres à air et de carburant, étincelle gamme prisedechaleur, refroidissement zone d'admission d'air et les lacunes propres de la bobine et la bougie.

Réglage du ralenti

Ce taille-haie est équipé d'un carburateur de mélange de carburant non réglable. La vitesse de ralenti du moteur est le seul réglage effectué par l'utilisateur.

AVERTISSEMENT

- **Réglage du ralenti doit être vérifié à chaque fois que l'appareil est exploité.**

AVERTISSEMENT

DANGER POTENTIEL

- Pour effectuer les réglages du carburateur, le moteur doit être en marche.
- Lorsque le moteur est en marche, les lames se déplacent et les autres pièces sont en mouvement.

CE QUI PEUT SE PASSER

- Entrer en contact avec les lames ou d'autres pièces en mouvement peut causer des blessures corporelles graves ou même la mort.

COMMENT ÉVITER LE DANGER

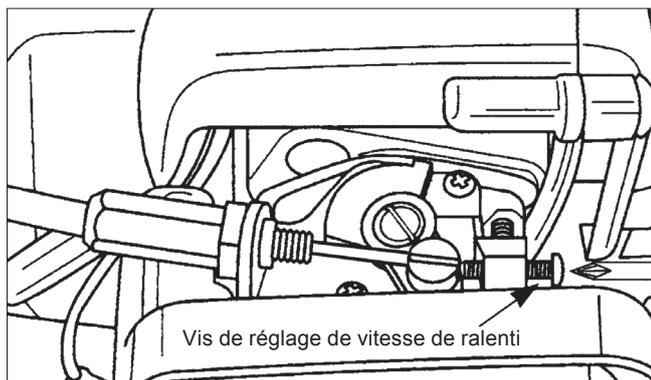
- Tenez toujours les mains, les pieds et les vêtements loin de la tête rotative et des autres pièces mobiles.
- Lorsque vous effectuez des réglages du carburateur, éloignez les spectateurs et les animaux de la machine.

La tête rotative peut tourner au cours du réglage du ralenti. Veuillez porter l'équipement de protection individuelle recommandé et suivre toutes les instructions de sécurité.

Gardez vos mains et votre corps loin de les lames.

Lorsque la gâchette d'accélérateur est libérée, le moteur doit revenir à une vitesse de ralenti comprise entre 2700 et 3300 min⁻¹ ou juste en-dessous de la vitesse d'engagement de l'embrayage.

Quand le moteur est au ralenti, les lames ne doit pas se déplacer et le moteur ne doit pas caler (doit s'arrêter de marcher).



Pour régler le ralenti du moteur, faire tourner la vis de réglage du ralenti sur le carburateur.

- Tournez la vis de ralenti vers l'intérieur (dans le sens des aiguilles d'une montre) pour augmenter la vitesse de ralenti du moteur.
- Tournez la vis vers l'extérieur (dans le sens contraire des aiguilles d'une montre) pour diminuer la vitesse de ralenti du moteur.

Si un réglage du ralenti est nécessaire, et si après le réglage, la tête rotative tourne toujours ou si le moteur cale, arrêtez immédiatement d'utiliser le taille-haie !

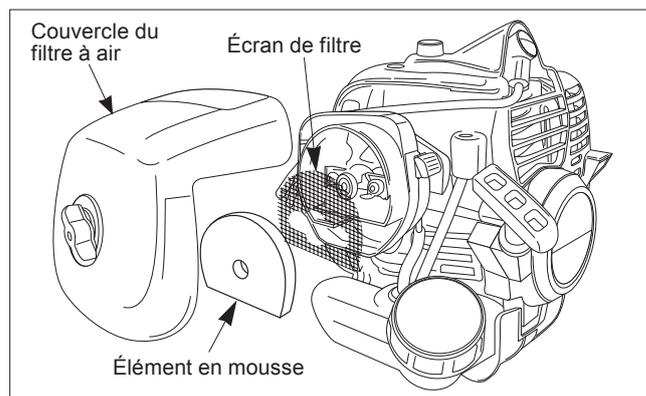
Contactez votre concessionnaire agréé MARUYAMA local pour assistance et entretien.

Filtre à air

Intervalle d'entretien

- Le filtre à air doit être nettoyé **tous les jours** plus souvent en cas de travail dans des conditions extrêmement poussiéreuses.
- Remplacez-le après 100 heures d'utilisation.

Nettoyage du filtre à air



1. Desserrez le bouton et retirez le couvercle du filtre à air.
2. Otez l'élément en mousse et l'écran de filtre.
3. Nettoyez l'élément en mousse et l'écran de filtre avec de l'eau chaude savonneuse. Laissez-le sécher complètement.
4. Appliquez une couche légère d'huile de moteur SAE 30 sur l'élément en mousse et pressez celui-ci pour en ôter tout l'excès d'huile.
5. Réassemblez l'élément en mousse et l'écran de filtre.
6. Remettez le couvercle du filtre à air et serrez le bouton.

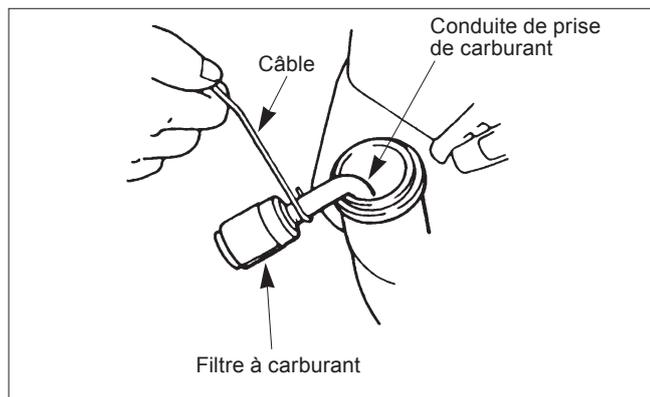
Filtre à carburant

Intervalle d'entretien

- Le filtre à carburant doit être remplacé après 100 heures d'utilisation.
- Les filtres à carburant nécessitant un remplacement plus fréquent peut indiquer les débris dans le réservoir de carburant.

Remplacement du filtre à carburant

Le filtre à carburant est fixé à l'extrémité de la conduite de prise de carburant dans le réservoir de carburant.



Pour remplacer le filtre à carburant:

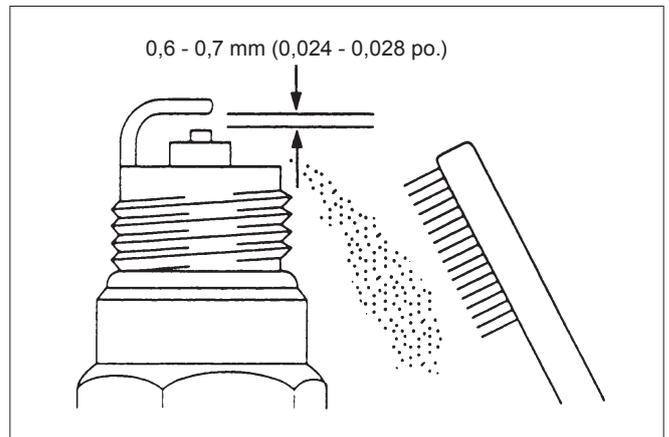
1. Assurez-vous que le réservoir de carburant est vide.
2. Retirez le bouchon de carburant.
3. À l'aide d'un fil de fer croché, retirez avec précaution le filtre à carburant par son ouverture. Faites attention de ne pas "hameçon" le conduit de prise de carburant. Remplacer immédiatement en cas de perforation!
4. Saisissez la conduite de carburant à côté du raccord du filtre à carburant et retirez le filtre, sans relâcher la conduite.
5. Tout en tenant la conduite de carburant, fixez le filtre à carburant neuf.
6. Remettez en place le filtre à carburant dans le réservoir de carburant.
7. Assurez-vous que le filtre à carburant n'est pas coincé dans un coin du réservoir et que la conduite de carburant n'est pas vrillée avant de remplir le réservoir.

Bougie

Intervalle d'entretien

- La bougie doit être retirée du moteur et vérifiée toutes les 25 heures d'utilisation.
- Remplacez la bougie toutes les 100 heures d'utilisation.

Entretien de la bougie



1. Le moteur étant à température ambiante, tournez le capuchon du conducteur haute tension de la bougie plusieurs fois d'avant en arrière pour le desserrer, retirez-le ensuite de la bougie.
2. Retirez la bougie.
3. Une fois la bougie retirée, les électrodes peuvent être nettoyées avec une brosse dure.
4. Réglez l'écartement des électrodes entre 0,6 et 0,7mm (0,024- 0,028 po.).
5. Remplacez la bougie si elle est salie d'huile, endommagée ou si les électrodes sont usées.
6. Ne serrez pas trop la bougie en la posant. Le couple de serrage est de 10,7- 16,6 N•m (95- 148 po-lbs.).
7. Toujours utiliser la gamme de chaleur spécifique de la bougie. Ceci est particulièrement critique à faible émission d'aujourd'hui moteurs. Pour de meilleurs résultats, utilisez la exacte remplacement.

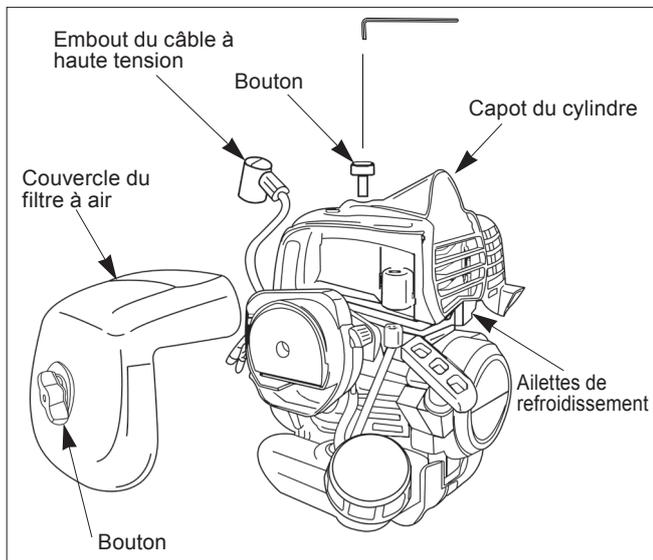
Ailettes de refroidissement du cylindre

Intervalle d'entretien

- Les ailettes de refroidissement doivent être nettoyées toutes les 25 heures de fonctionnement ou une fois par semaine, à la première des échéances.
- L'air doit s'écouler librement dans et autour des ailettes de refroidissement afin d'éviter une surchauffe du moteur. L'accumulation de feuilles, d'herbe, de poussière et de débris sur les ailettes augmente la température de fonctionnement du moteur, ce qui en réduit les performances et la durée de vie.

Nettoyage des ailettes de refroidissement du cylindre

1. Lorsque le moteur est à température ambiante, desserrez le bouton et ôtez le couvercle du filtre à air.



2. Tournez l'embout du câble à haute tension attaché à la bougie de gauche à droite à plusieurs reprises, pour le décoincer et détachez l'embout de la bougie.
3. Desserrez le bouton et levez le capot du cylindre.
4. Nettoyez toute la poussière et tous les débris des ailettes de refroidissement et autour de la base du cylindre.
5. Ne négligez pas le nettoyage de l'air de refroidissement zone apport en dessous du carter et au-dessus du réservoir de carburant! Cette zone doit être libre de débris et de obstruction pour le moteur refroidir correctement.
6. Réinstallez les capots du cylindre et couvercle du filtre à air.

Pare-étincelles

⚠ AVERTISSEMENT

DANGER POTENTIEL

- La surface du silencieux devient chaude quand le taille-haie fonctionne et elle reste chaude pendant encore quelques temps après que le moteur est arrêté.

CE QUI PEUT SE PASSER

- Entrer en contact avec les surfaces chaudes d'un silencieux peut causer des brûlures.

COMMENT ÉVITER LE DANGER

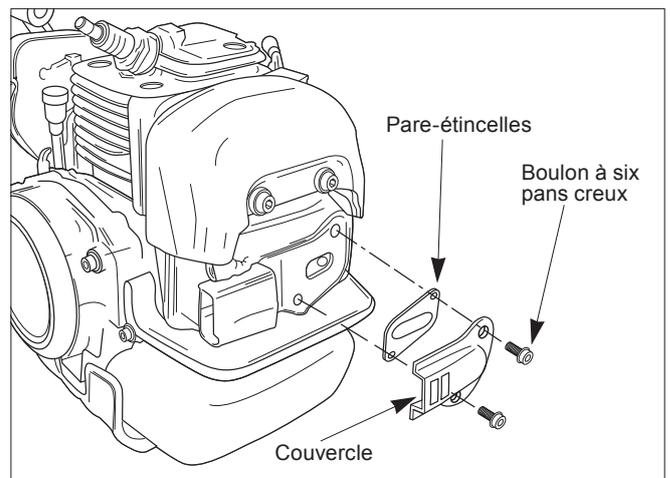
- Assurez-vous que le silencieux est refroidi avant de vérifier et de nettoyer le pare-étincelles.

Intervalle d'entretien

- Le pare-étincelles doit être vérifié et nettoyé après 25 heures d'utilisation.
- Remplacez le tamis s'il ne peut être totalement nettoyé ou s'il est endommagé.

Entretien du pare-étincelles

1. Lorsque le moteur est à température ambiante, desserrez le bouton et ôtez le couvercle du filtre à air.
2. Tournez l'embout du câble à haute tension attaché à la bougie de gauche à droite à plusieurs reprises, pour le décoincer et détachez l'embout de la bougie.
3. Desserrez le bouton et levez le capot du cylindre.



4. Ôtez le couvercle, le joint et le pare-étincelles et nettoyez-les avec une brosse dure et un solvant de nettoyage. Remplacez les pièces qui ne peuvent plus être nettoyées.

5. Réinstallez le pare-étincelles et le couvercle sur le silencieux, et vissez et serrez les deux boulons à six pans creux.
6. Réinstallez les capots du cylindre et couvercle du filtre à air.

Silencieux d'échappement

Intervalle d'entretien

Le silencieux doit être vérifié et nettoyé toutes les 100 heures d'utilisation.

Entretien du silencieux

1. Lorsque le moteur est à température ambiante, desserrez le bouton et ôtez le couvercle de filtre à air.
2. Tournez l'embout du câble à haute tension attaché à la bougie de gauche à droite à plusieurs reprises, pour le décoincer et détachez l'embout de la bougie.
3. Desserrez le bouton et levez le capot du cylindre.
4. Ôtez le pare-étincelles (voir Entretien du pare-étincelles), et nettoyez le silencieux avec une brosse dure.

IMPORTANT: Ne jamais utiliser un solvant pour le nettoyage de l'intérieur du silencieux, afin de ne pas abîmer le pot catalytique dans le silencieux. Faites attention à ne pas laisser rentrer de débris ou de la poussière dans la lumière d'échappement. Cela pourrait abîmer le moteur.

5. Réinstallez le pare-étincelles et le couvercle sur le silencieux, et vissez et serrez les deux boulons à six pans creux.
6. Réinstallez les capots du cylindre et couvercle de filtre à air.

Réglages des lames de coupe

⚠ ATTENTION

- NE TOUCHEZ PAS LES BORDS TRANCHANTS DES LAMES DE COUPE. LES LAMES SONT TRÈS AFFÛTÉES ET DANGEREUSES À TOUT MOMENT.

Intervalle d'entretien

Avant d'utiliser la taille-haie, il est nécessaire de vérifier le réglage des lames.

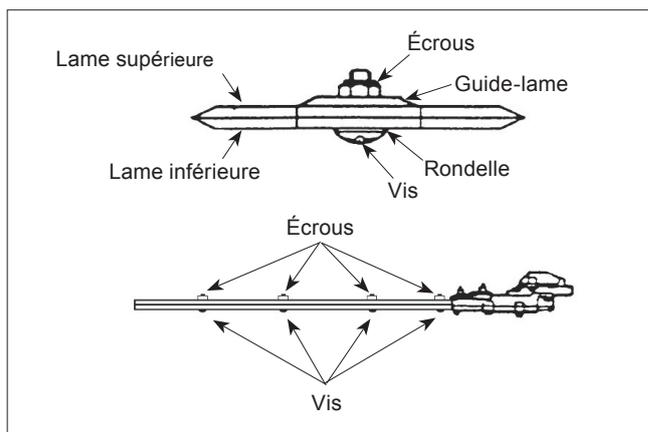
Des lames trop lâches risquent de vibrer et ne fourniront donc pas de coupe propre et homogène.

Maintenance des lames de coupe

ATTENTION : DES LAMES TROP SERRÉES PEUVENT PROVOQUER DE LA SURCHARGE ET ENDOMMAGER L'APPAREIL.

Pour ajuster les lames, reportez-vous aux illustrations et repérez les vis de tension.

Desserrez les contre-écrous de la vis de tension. Tournez délicatement les vis de tension jusqu'à les serrer, puis tournez la vis de tension en arrière 1/4 - 1/2 tour. Tout en maintenant les vis en place, serrez les contre-écrous. Graissez généreusement les lames avec de l'huile légère. Allumez le moteur et utilisez le taille-haie à pleins gaz au moins pendant une minute. Arrêtez le moteur. Lorsque les lames sont complètement immobiles, vérifiez la température des lames attentivement. Les lames peuvent être chaudes, mais si elles le sont de trop, desserrez les vis de tension 1/8 de tour.



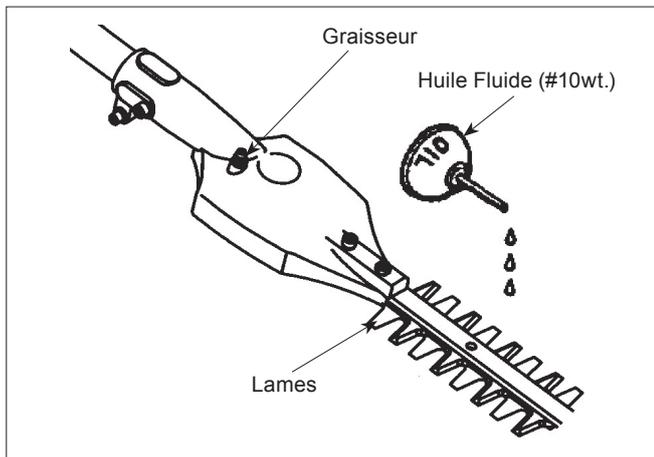
Lubrification

Intervalle de maintenance

Réviser le carter d'engrenages toutes les 10 heures d'utilisation. Les lames de coupe doivent être graissées à tout moment.

Lubrification

Vérifiez l'état de lubrification du carter d'engrenages toutes les 10 heures d'utilisation. Les deux composants disposent d'embouts de graissage. Utilisez un lubrifiant de roulement à base de lithium n° 2.



La lubrification des lames coupes doit être maintenue à tout moment. Utilisez une huile légère (#10wt.).

Nettoyage et serrage normaux

Le taille-haie MARUYAMA fournira une performance maximum pour de nombreuses heures s'il est correctement entretenu. Un bon entretien comprend la vérification régulière du bon serrage de toutes les pièces de fixation et le nettoyage de la machine entière.

⚠ AVERTISSEMENT

DANGER POTENTIEL

- Quand le moteur tourne, le dispositif de coupe tourne et les autres pièces sont en mouvement.

CE QUI PEUT SE PASSER

- Entrer en contact avec la tête rotative ou une autre pièce en mouvement peut causer une blessure personnelle grave ou même la mort.

COMMENT ÉVITER LE DANGER

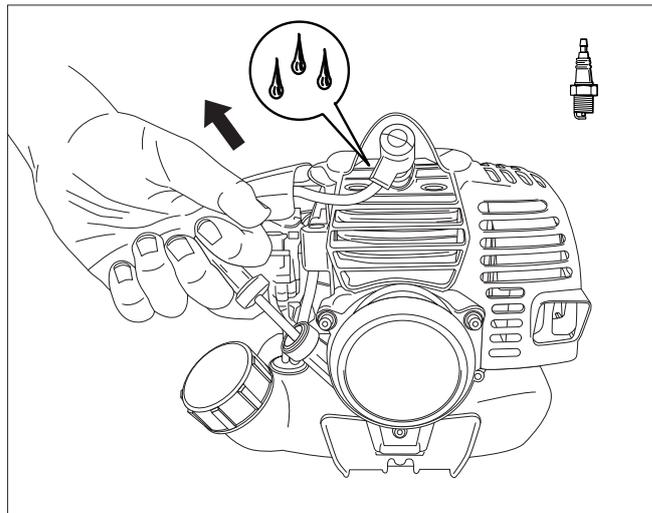
- Éteignez toujours votre taille-haie avant de le nettoyer ou de faire des opérations d'entretien.

Remisage

Pour un remisage à long terme du taille-haie:

1. Videz le réservoir de carburant dans un bidon de stockage de carburant adapté.
2. Pompez la poire d'amorçage sur le carburateur jusqu'à ce que l'essence soit chassée dans la conduite transparente de retour de carburant.

3. Faites tourner le moteur pour retirer le carburant restant dans le carburateur.
4. Effectuez toutes les procédures d'entretien régulier et toutes les réparations nécessaires.



⚠ ATTENTION

DANGER POTENTIEL

- Lorsque vous tirez sur la poignée du démarreur, de l'huile peut gicler sur l'orifice de bougie.

CE QUI PEUT SE PASSER

- L'huile peut causer une blessure aux yeux.

COMMENT ÉVITER LE DANGER

- Protégez vos yeux et n'approchez pas votre visage de l'orifice de bougie.

5. Retirez la bougie et appliquez une petite quantité d'huile dans le cylindre.
6. Tirez une fois sur la corde du démarreur.
7. Tirez lentement la poignée du démarreur pour amener le piston en haut du cylindre.
8. Remplacez la bougie.
9. Remisez le taille-haie dans un endroit sec, à l'abri de la chaleur excessive, des étincelles ou d'une flamme nue.

Dépannage

Problème	Cause	Mesure correctrice
Ne moteur ne démarre pas	<ul style="list-style-type: none"> Le réservoir de carburant est vide. La poire d'amorçage n'a pas été pressée suffisamment Le moteur est noyé 	<ul style="list-style-type: none"> Remplissez le réservoir de carburant Pressez la poire d'amorçage jusqu'à ce que le carburant s'écoule dans la conduite de retour de carburant Reportez-vous à la procédure de démarrage à chaud
Le moteur ne fonctionne pas au ralenti	La vitesse de ralenti n'a pas été correctement réglée	Réglez la vitesse de ralenti
Le moteur manque de puissance ou cale lors de coupe.	<ul style="list-style-type: none"> Le câble de la gâchette d'accélérateur est desserré Le filtre à air est sale Le pare-étincelles est bouché ou l'orifice d'échappement 	<ul style="list-style-type: none"> Serrez le câble de la gâchette d'accélérateur Nettoyez ou remplacez le filtre à air Nettoyez le pare-étincelles ou l'orifice d'échappement

Pour toute assistance, veuillez contacter votre concessionnaire agréé MARUYAMA local.

Période d'entretien

Entretien	Quotidien	Toutes les 25 heures	Toutes les 50 heures	Toutes les 100 heures
Vérifiez et ajoutez de l'essence	●			
Vérifiez qu'il n'y a pas de fuite de carburant	●			
Vérifiez que les boulons, écrous et vis sont tous serrés et qu'il n'en manque aucun	●			
Vérifiez le réglage de la vitesse de ralenti du moteur	●			
■ Nettoyer le filtre à air	●			
Nettoyer le pare-étincelles et réglez l'écartement des électrodes		●		
■ Retirez la poussière et la saleté des ailettes d'échappement		●		
● Nettoyer le pare-étincelles		●		
Serrez les boulons et les écrous			●	
● Retirez les résidus de carbone de l'orifice d'échappement			●	
Remplacez le filtre à carburant				●
● Retirez les résidus de carbone de la tête du piston et de la chambre de combustion				●
● Retirez les résidus de carbone des orifices de transfert				●
Remplacez le tube de carburant et le joint torique du bouchon du réservoir de carburant	C'est recommandé pour remplacer chaque 3 années			

●: L'entretien doit être réalisé par un concessionnaire agréé MARUYAMA.

■: Effectuez l'entretien plus souvent lors de conditions de fonctionnement poussiéreuses.

REMARQUE:

Les intervalles d'entretien indiqués doivent être utilisés comme indication.

L'entretien sera réalisé plus fréquemment, si nécessaire, selon les conditions d'utilisation.

Utilisez l'huile pour moteur deux-temps MARUYAMA 50:1.

Specifications/Especificaciones/Spécifications

Model	EH230D	EH270D-S
Weight ※ 1(lbs) Peso seco ※ 1(lbs) Poids ※ 1(kg)	13.3 (6.0kg) 13.3 (6.0kg) 6.0 (13.3 lbs.)	13.5 (6.1kg) 13.5 (6.1kg) 6.1 (13.5 lbs.)
Engine Displacement (cm ³) Desplazamiento del motor (cm ³) Cylindrée du moteur (cm ³)	22.5	25.4
Carburetor Carburador Carburateur	Walbro Diaphragm Type Walbro Tipo de Diafragma Walbro Type de Diaphragme	
Ignition System Encendido Allumage	Solid State Sistema de estado sólido État solide	
Fuel Tank Capacity (qts.) Capacidad del depósito de combustible (qts.) Contenance du réservoir de carburant (L)	0.53 (0.5L) 0.53 (0.5L) 0.5 (0.53 qts.)	0.63 (0.6L) 0.63 (0.6L) 0.6 (0.63 qts.)
Gas to Oil Ratio La gasolina para engrasar la proporción L'essence pour huiler ratio	50:1	
Spark Plug Bujía Bougie	NGK BPM8Y	
Spark plug Gap (in.) Luz entre electrodos (en.) Écartement de bougi (mm)	.024-.028 (0.6-0.7mm) .024-.028 (0.6-0.7mm) 0.6 - 0.7 (.024 - .028 po.)	
EPA and CARB Approved EPA y CARB Aprobado Homologation EPA et CARB	Phase 3, Tier 3	

Emission durability of 300 hours.

※1. Dry weight without Fuel.

Durabilidad de emisión de 300 horas.

※1. Peso seco sin combustible.

Durabilité d'émission de 300 heures.

※1. Poids sans carburant.



Maruyama U.S., Inc.

4770 Mercantile Drive,
suite100,

Fort Worth, TX 76137 U.S.A.

Phone 940-383-7400

Fax 940-383-7466

www.maruyama-us.com

242149-02 US/ES/FR 20.04 IN