

PARTS LIST

BSA-500JMQ

2016.01.



P/N 524135

CONTENTS

<EXTERIOR>

1.FRAME, STEP, FLOOR, HAND WASH TANK	4
2.FRONT PANEL, OPERATION PANEL	6
3.COVERS.....	8

<TRAVELING/STEERING>

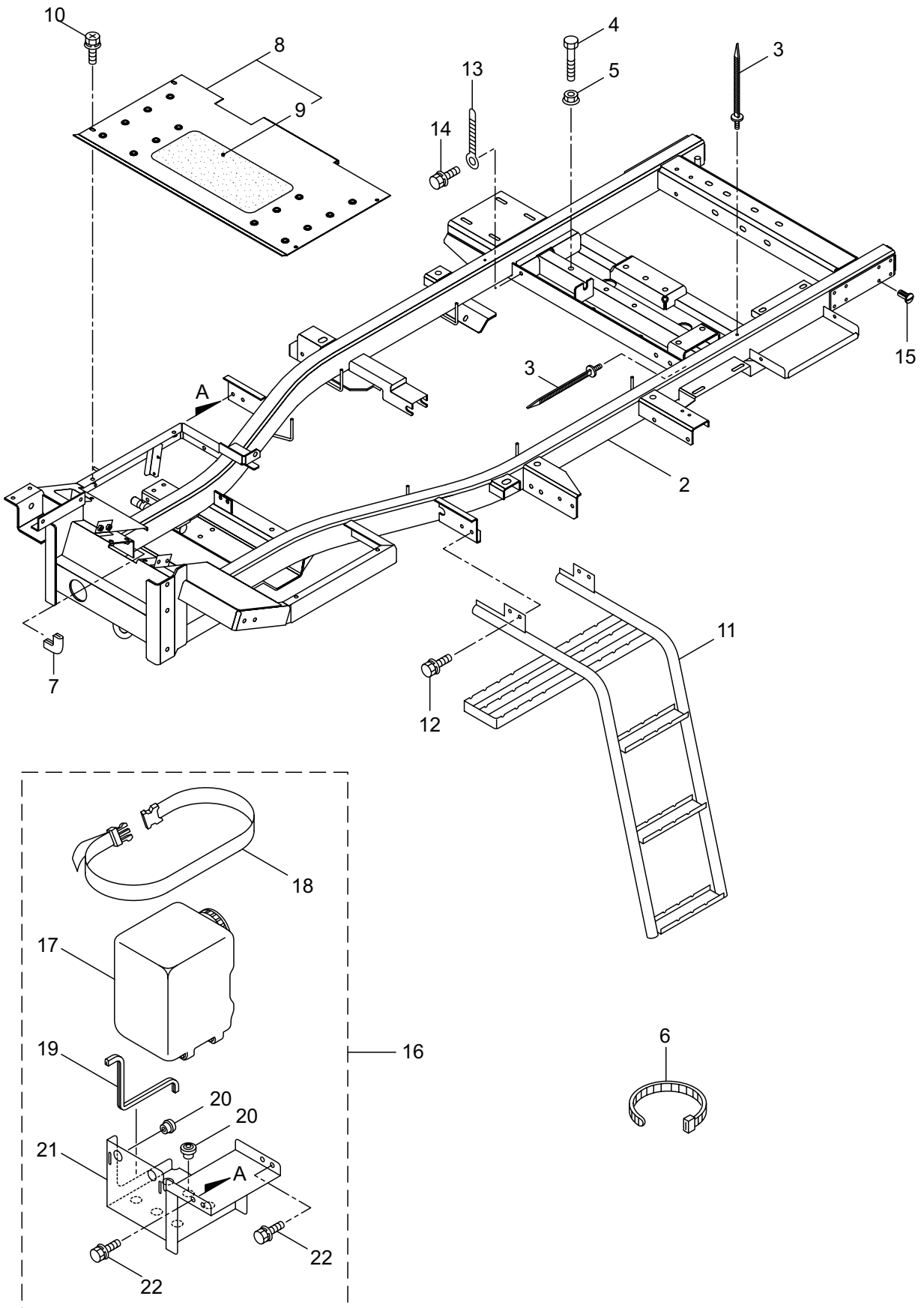
4.FRONT AXLE	10
5.REAR AXLE	14
6.STEERING LINKAGE	18
7.KNUCKLE	20
8.WHEEL.....	22
9.HST	24
10.SUB MISSION, PROPELLER SHAFT	26
11.SUB MISSION (Detailed Drawing)	28
12.SHIFT LEVER.....	32
13.THROTTLE LEVER.....	34
14.STEERING	36
15.HYDRAULIC EQUIPMENT	38
16.HYDRAULIC PIPING	42
17.BRAKE PEDAL, PARKING BRAKE	46
18.DIFFERENTIAL LOCK PEDAL, ACCELERATOR PEDAL.....	48
19.STACK VALVE	50

<ENGINE>

20.ENGINE.....	52
21.AIR CREANER, MUFFLER.....	54
22.RADIATOR	56
23.FUEL TANK, FUEL PIPING	58
24.ENGINE (Crankcase, Oil Pan, Oil Pump).....	60
25.ENGINE (Cylinder Head, Gear Case, Oil Filter)	62
26.ENGINE (Head Cover, Manifold)	64
27.ENGINE (Main Bearing Case, Piston, Crankshaft).....	66
28.ENGINE (Cam Shaft, Idle Shaft, Fuel Cam Shaft, Govenner Shaft).....	70
29.ENGINE (Fly Wheel, Starter).....	72
30.ENGINE (Idling Apparatus, Solenoid, Injection Pump)	74
31.ENGINE(Speed Control Plate, Governor).....	76
32.ENGINE (Nozzle Holder, Glow Plug)	78
33.ENGINE (Alternator, Pulley)	82
34.ENGINE (Water Flange, Thermostat, Water Pump).....	84

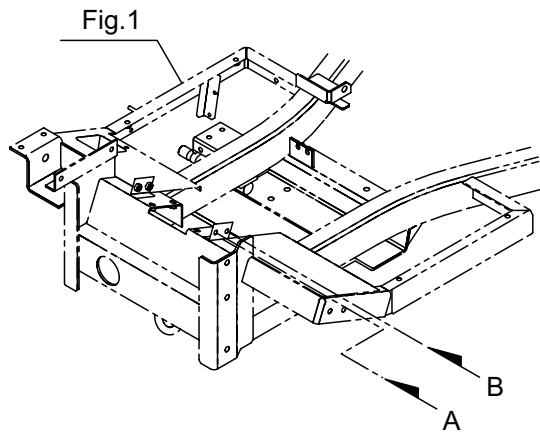
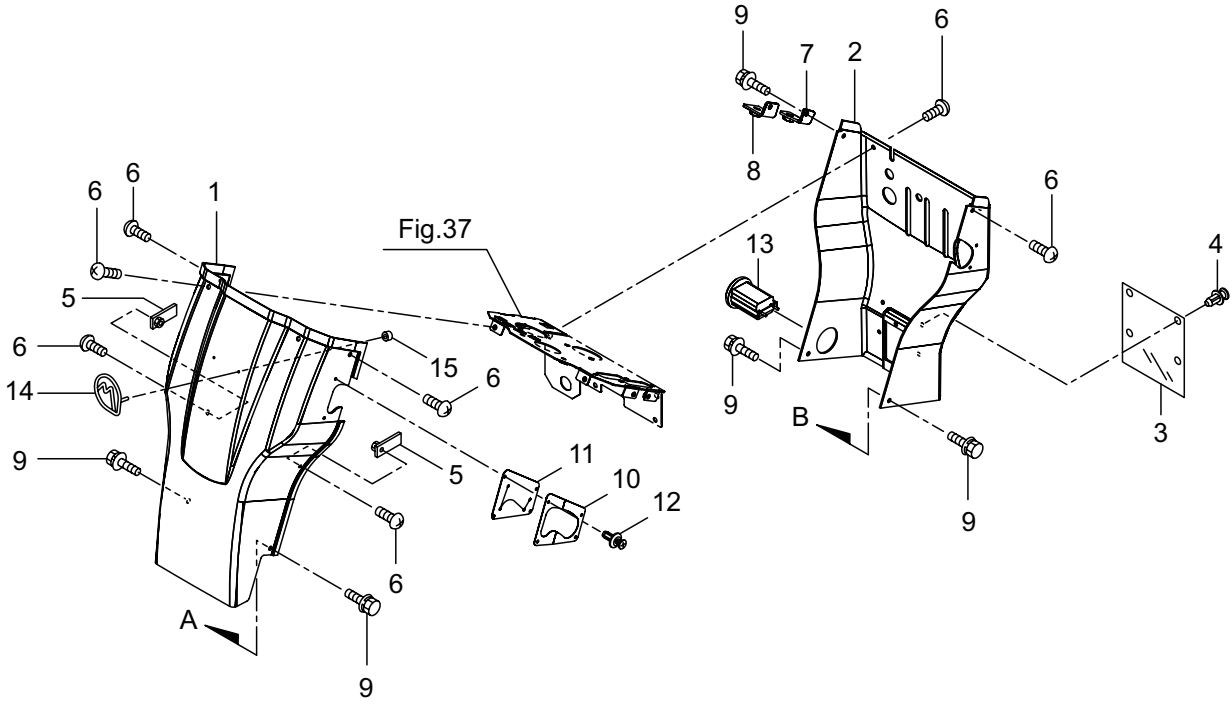
35.ENGINE (Valve, Rocker Arm)	86
36.ENGINE (Accessories).....	88
<ELECTRICAL>	
37.INSTRUMENT PANEL	90
38.ELECTRICAL PARTS	92
<LIQUID MEDICINE>	
39.CHEMICAL TANK, SEAT.....	94
40.POWER SPRAYER-1 (MS625S).....	96
41.POWER SPRAYER-2.....	100
42.STRAINER.....	102
43.DIVIDER	104
44.PRESSURE REGULATOR VALVE, PRESSURE GAUGE.....	106
45.CHEMICAL PIPING.....	108
<BOOM>	
46.BOOM LIFT	110
47.LEVEL CONTROL	112
48.AUTO LOCK.....	114
49.CENTER BOOM.....	118
50.SIDE BOOM.....	122
51.BOOM STAND.....	124
52.NOZZLE.....	126
<OTHERS>	
53.LABEL.....	128
54.WARNING LABEL.....	130
55.ACCESSORIES.....	132

1. BSA-500JMQ
 FRAME, STEP, FLOOR, HAND WASH TANK



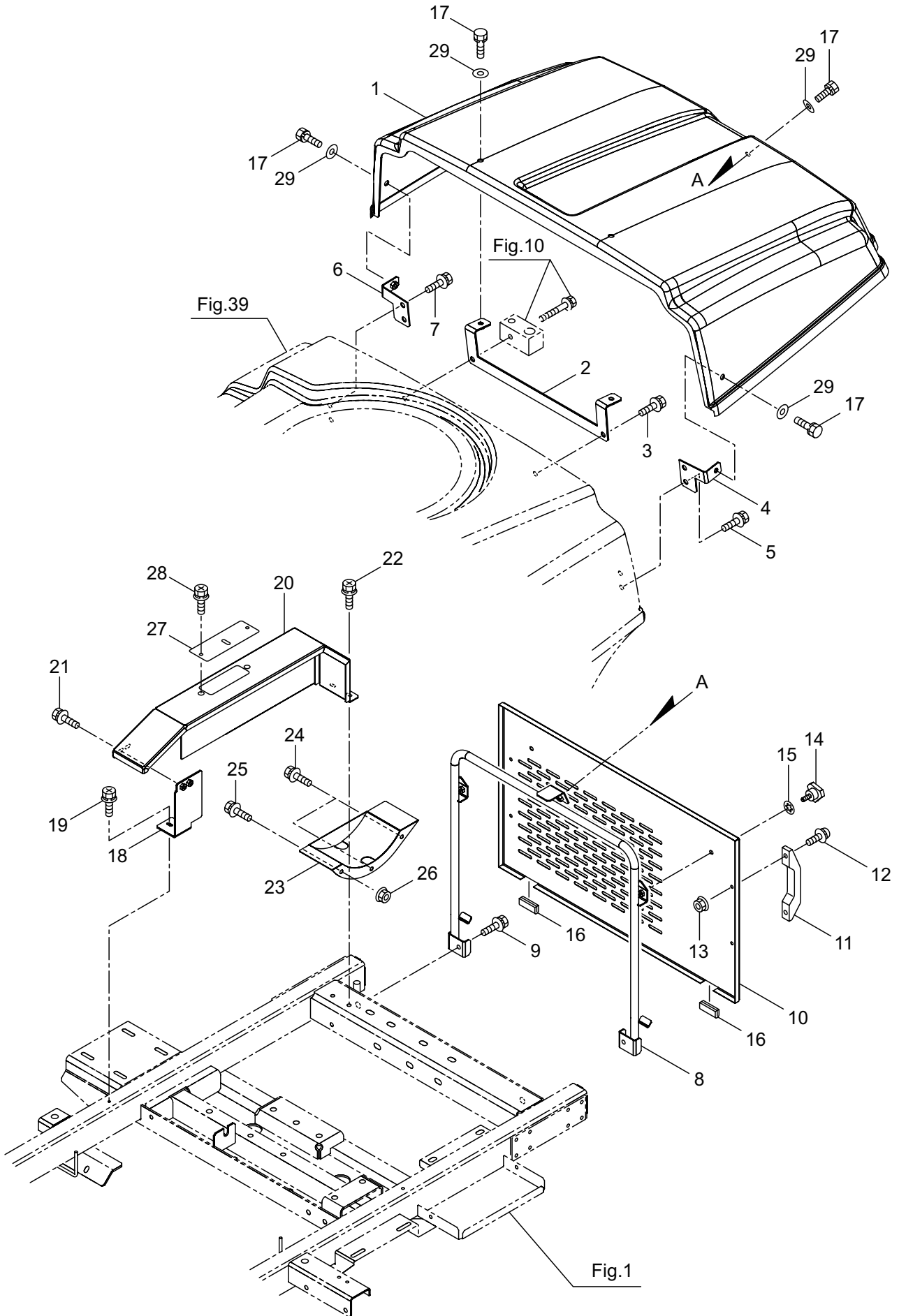
Ref. No.	Parts No.	Parts Name	Q'ty	Remarks
1-1	720238	BSA-500JMQ	1	
1-2	867810	Frame	1	
1-3	189564	Clamp	2	
1-4	089100	Bolt	1	M8X120X22
1-5	126201	Nut	1	M8
1-6	685050	Band	1	CV-350B
1-7	865490	Edge Molding	2	
1-8	864764	Floor	1	Incl.9
1-9	680933	Sheet	1	
1-10	862294	Bolt	4	M6X16
1-11	865866	Step	1	
1-12	126763	Bolt	4	M8X20(SM)
1-13	683188	Clamp Band	1	
1-14	096040	Bolt	1	M6X25(SM)
1-15	689264	Bolt Cap	16	
1-16	866993	Hand Wash Tank Ass'y	1	Incl.17-22
1-17	199573	Water Tank	1	
1-18	199575	Belt	1	
1-19	866994	Packing	1	
1-20	682487	Grommet	8	
1-21	866995	Bracket	1	
1-22	126763	Bolt	4	M8X20(SM)

2. BSA-500JMQ
FRONT PANEL, OPERATION PANEL



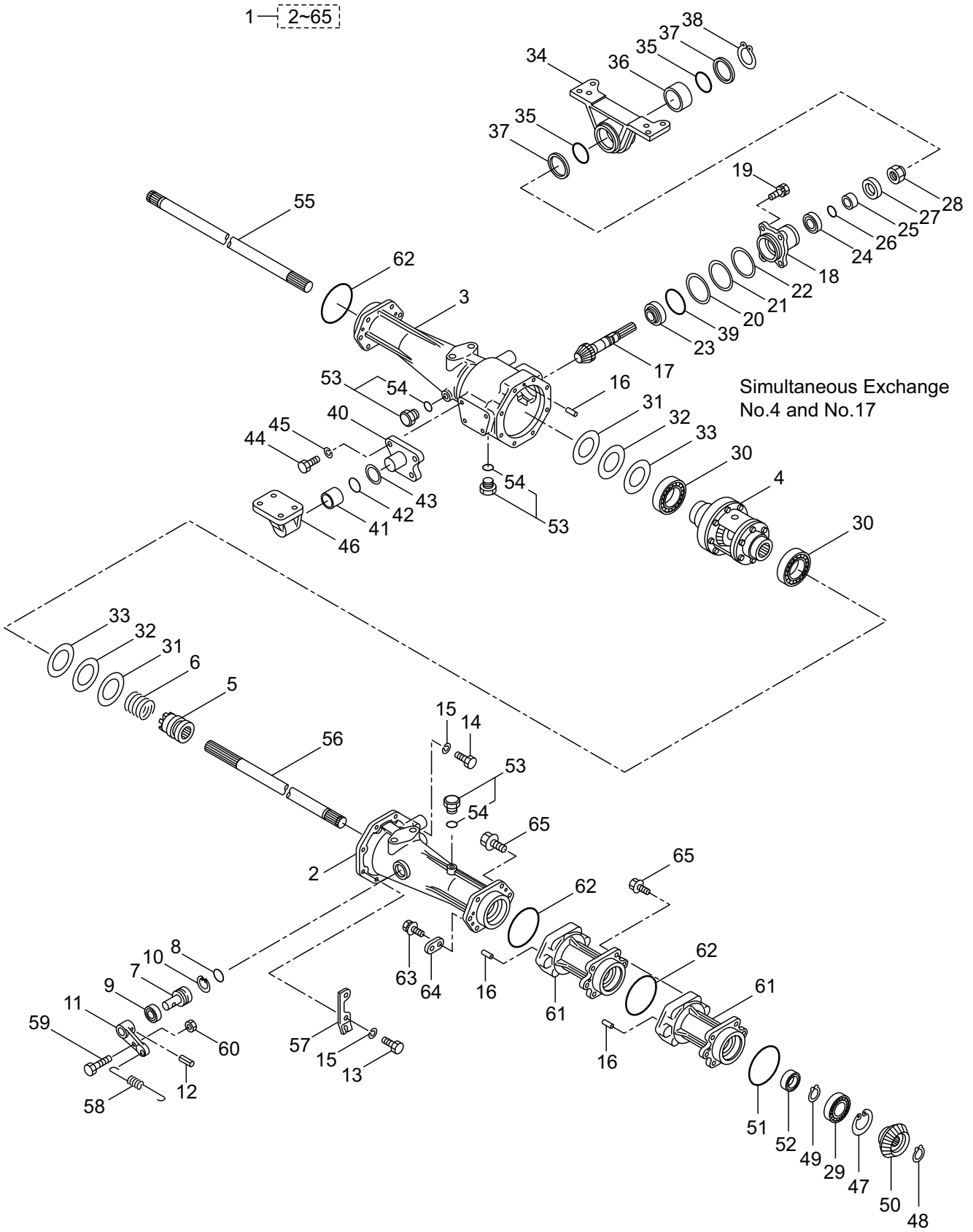
Ref. No.	Parts No.	Parts Name	Q'ty	Remarks
2-1	864866	Front Panel	1	
2-2	864868	Operation Panel	1	
2-3	865256	Vinyl Sheet	1	
2-4	865943	Nylon Ratch	4	
2-5	864870	Plate	2	
2-6	083455	Screw	8	M6X14
2-7	866156	Stay	1	
2-8	866157	Stay	1	
2-9	184779	Bolt	6	M6X14(SM)
2-10	865214	Plate	1	
2-11	865215	Rubber Plate	1	
2-12	189746	Rivet	4	
2-13	198378	Hourmeter	1	
2-14	199975	Emblem	1	
2-15	683207	Push Nut	2	

3. BSA-500JMQ COVERS



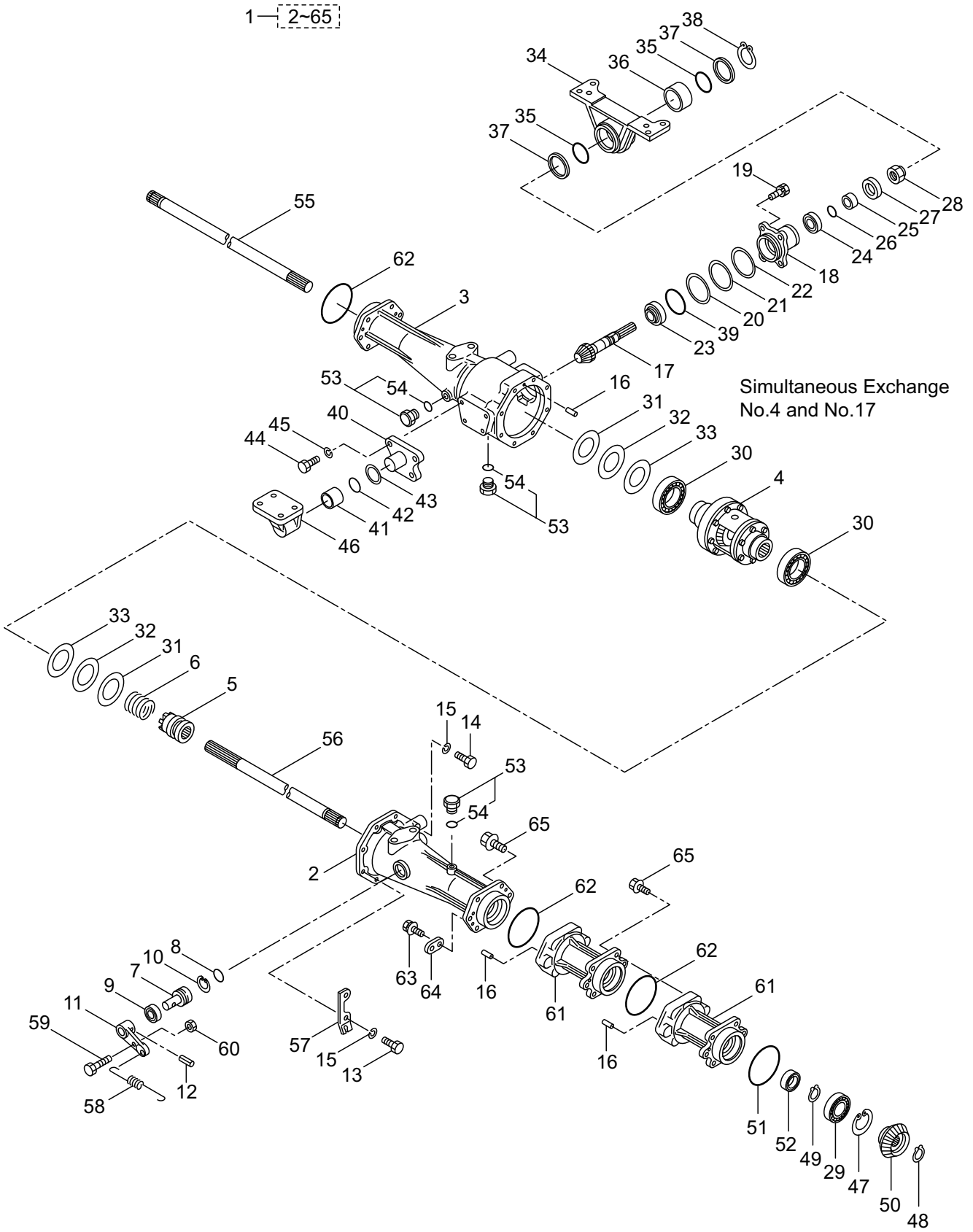
Ref. No.	Parts No.	Parts Name	Q'ty	Remarks
3-1	864873	Cover	1	
3-2	864875	Stay	1	
3-3	817007	Bolt	1	M8X16(SM)
3-4	864876	Stay	1	
3-5	817007	Bolt	2	M8X16(SM)
3-6	864877	Stay	1	
3-7	817007	Bolt	2	M8X16(SM)
3-8	864878	Pipe Ass'y	1	
3-9	126763	Bolt	2	M8X20(SM)
3-10	864884	Cover	1	
3-11	189448	Handle	2	
3-12	189421	Screw	4	M6X16(SM)
3-13	550108	Nut	4	M6
3-14	182860	Knob Bolt	2	M6X10
3-15	864699	Washer	2	
3-16	860626	Edge Molding	2	30L
3-17	092530	Bolt	5	M8X25
3-18	865196	Stay	1	
3-19	817004	Bolt	1	M6X12(SM)
3-20	865197	Cover	1	
3-21	817004	Bolt	2	M6X12(SM)
3-22	092501	Bolt	2	M6X16(SM)
3-23	865200	Cover	1	
3-24	817007	Bolt	2	M8X16(SM)
3-25	126763	Bolt	1	M8X20(SM)
3-26	126201	Nut	1	M8
3-27	866119	Plate	1	
3-28	817004	Bolt	2	M6X12(SM)
3-29	019059	Washer	5	8.5X25XT2.6

4. BSA-500JMQ FRONT AXLE



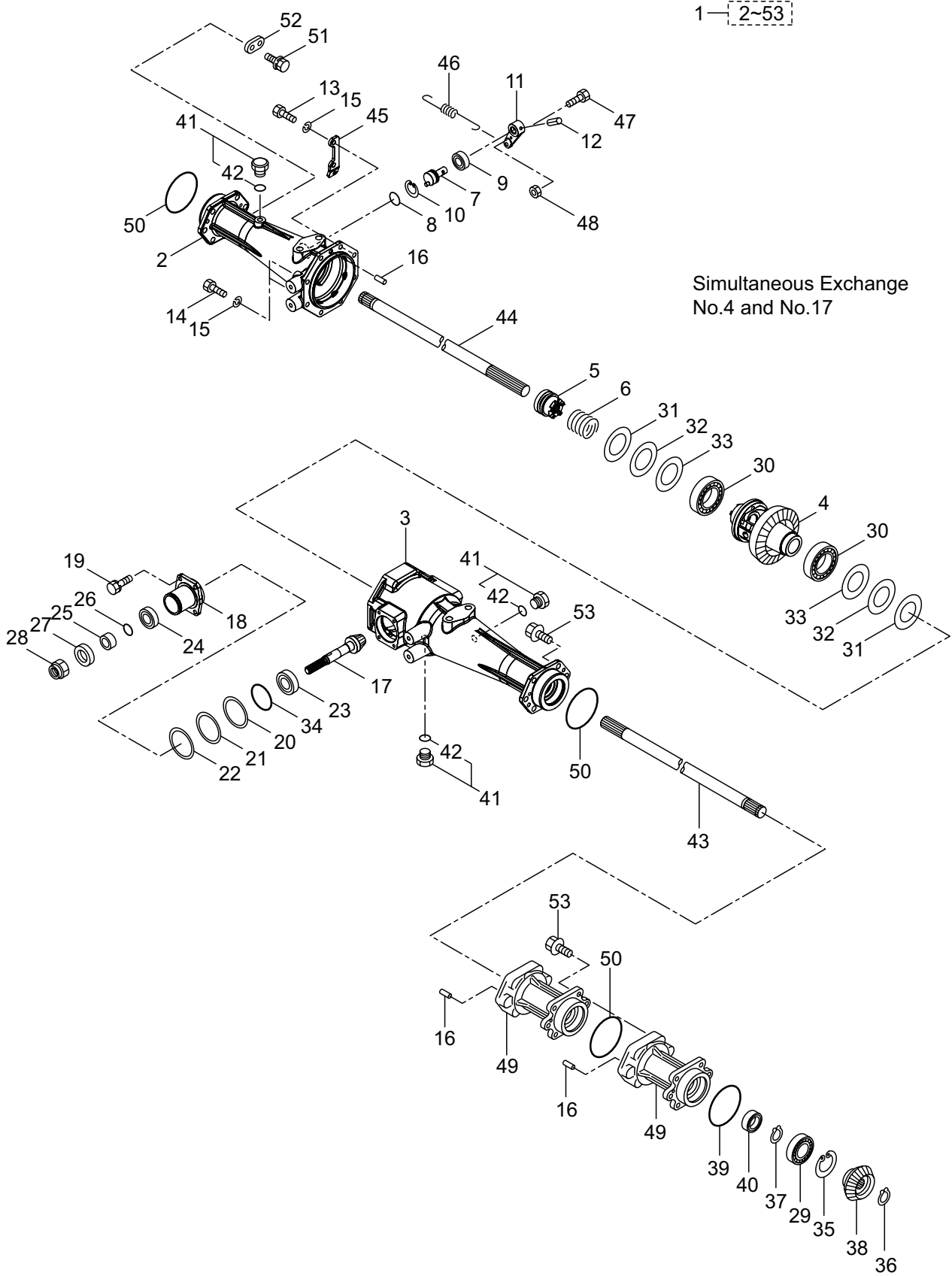
Ref. No.	Parts No.	Parts Name	Q'ty	Remarks
4-1	863077	Front Diff. Axle Ass'y	1	Incl.2-65
4-2	861929	Diff. Housing	1	
4-3	861930	Diff. Housing	1	
4-4	861931	Diff. Gear Case Ass'y	1	Simultaneous Exchange No.17
4-5	861940	Clutch	1	
4-6	861941	Spring	1	
4-7	861942	Clutch Pin	1	
4-8	020285	O-Ring	1	P24
4-9	011439	Oil Seal	1	D15307
4-10	013825	C-Sharped Snap Ring	1	#30
4-11	861943	Diff. Lock Lever	1	
4-12	861944	Spring Pin	1	6X36AW
4-13	182626	Bolt	6	M10X1.25X30-7T
4-14	861945	Bolt	2	M10X1.25X55-8.8
4-15	126231	Spring Washer	8	M10
4-16	141844	Pin	5	M6-B-8X18
4-17	861948	Pinion Gear	1	Simultaneous Exchange No.4
4-18	861949	Holder	1	
4-19	861950	Bolt	4	M8X25-7T
4-20	861951	Shim	1	
4-21	861952	Shim	1	
4-22	861953	Shim	1	
4-23	861954	Bearing	1	
4-24	861955	Bearing	1	
4-25	861956	Bush	1	
4-26	014179	O-Ring	1	P20
4-27	189848	Oil Seal	1	TC30428
4-28	861957	Nut	1	
4-29	182014	Bearing	2	6305LLU
4-30	055490	Bearing	2	6010
4-31	861958	Lining	2	
4-32	861959	Lining	2	
4-33	861960	Lining	2	
4-34	181802	Bracket	1	
4-35	012111	O-Ring	2	P50
4-36	181803	Bush	1	70B-5030
4-37	181804	Washer	2	50.5X60.5XT1.6
4-38	147175	C-Sharped Snap Ring	1	#50
4-39	026162	O-Ring	1	S60
4-40	861961	Holder	1	
4-41	181806	Bushing	1	
4-42	014203	O-Ring	1	P30
4-43	181807	Washer	1	30.5X45XT1.6
4-44	089415	Bolt	4	M10X1.25X25-7T
4-45	126231	Spring Washer	4	M10

4. BSA-500JMQ
FRONT AXLE



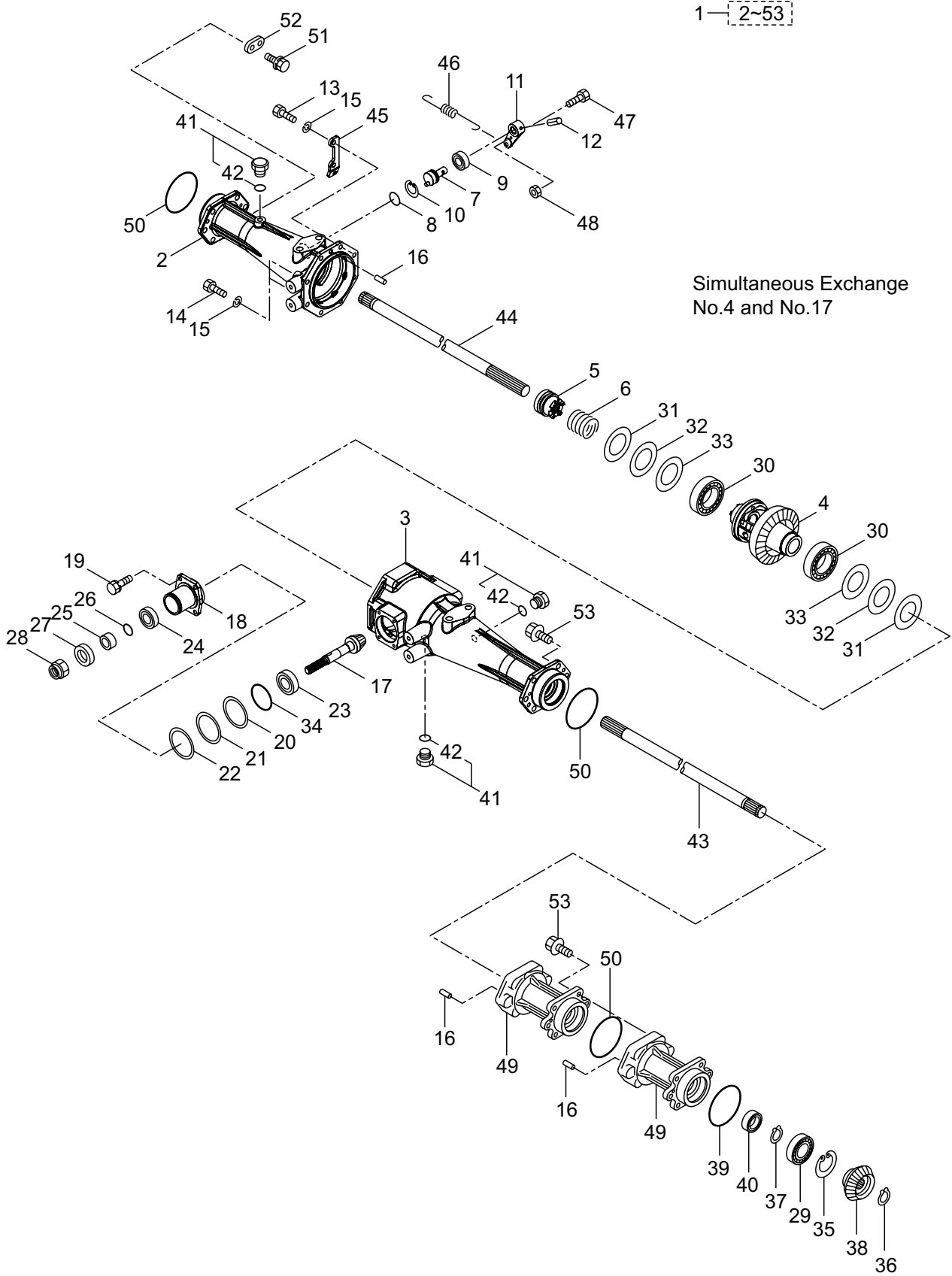
Ref. No.	Parts No.	Parts Name	Q'ty	Remarks
4-46	196694	Bracket	1	
4-47	056967	C-Sharped Snap Ring	2	#62
4-48	153889	C-Sharped Snap Ring	2	#24
4-49	012383	C-Sharped Snap Ring	2	#25
4-50	682764	Gear	2	18T
4-51	026171	O-Ring	2	S90
4-52	861963	Oil Seal	2	SC25447
4-53	091376	Plug Ass'y	3	G1/4 Incl.54
4-54	023170	O-Ring	3	P12.5
4-55	863078	Diff. Shaft	1	
4-56	863079	Diff. Shaft	1	
4-57	861966	Stay	1	
4-58	861967	Spring	1	
4-59	082105	Bolt	1	M6X25
4-60	127298	Nut	1	M6
4-61	862017	Spacer	4	
4-62	026171	O-Ring	4	S90
4-63	126763	Bolt	1	M8X20(SM)
4-64	861989	Plate	1	
4-65	860078	Bolt	24	M12X1.25X30-8.8

5. BSA-500JMQ
REAR AXLE



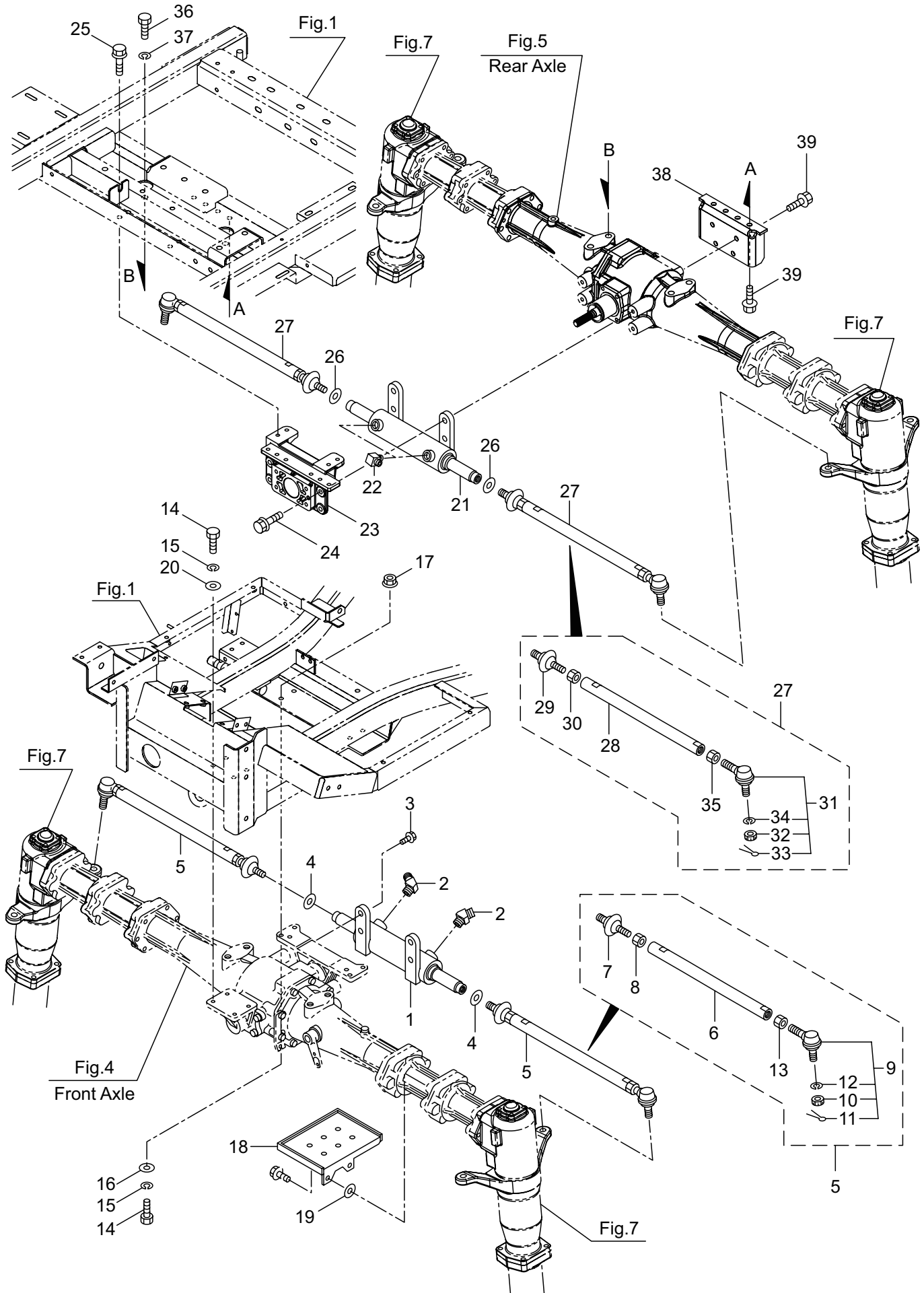
Ref. No.	Parts No.	Parts Name	Q'ty	Remarks
5-1	865857	Rear Diff. Axle Ass'y	1	Incl.2-53
5-2	861929	Diff. Housing	1	
5-3	861930	Diff. Housing	1	
5-4	861931	Diff. Gear Case Ass'y	1	Simultaneous Exchange No.17
5-5	861940	Clutch	1	
5-6	861941	Spring	1	
5-7	861942	Clutch Pin	1	
5-8	020285	O-Ring	1	P24
5-9	011439	Oil Seal	1	D15307
5-10	013825	C-Sharped Snap Ring	1	#30
5-11	861943	Diff. Lock Lever	1	
5-12	861944	Spring Pin	1	6X36AW
5-13	182626	Bolt	6	M10X1.25X30-7T
5-14	861945	Bolt	2	M10X1.25X55-8.8
5-15	126231	Spring Washer	8	M10
5-16	141844	Pin	5	M6-B-8X18
5-17	861948	Pinion Gear	1	Simultaneous Exchange No.4
5-18	861949	Holder	1	
5-19	861950	Bolt	4	M8X25-7T
5-20	861951	Shim	1	
5-21	861952	Shim	1	
5-22	861953	Shim	1	
5-23	861954	Bearing	1	
5-24	861955	Bearing	1	
5-25	861956	Bushing	1	
5-26	014179	O-Ring	1	P20
5-27	189848	Oil Seal	1	TC30428
5-28	861957	Nut	1	
5-29	182014	Bearing	2	6305LLU
5-30	055490	Bearing	2	6010
5-31	861958	Lining	2	
5-32	861959	Lining	2	
5-33	861960	Lining	2	
5-34	026162	O-Ring	1	S60
5-35	056967	C-Sharped Snap Ring	2	#62
5-36	153889	C-Sharped Snap Ring	2	#24
5-37	012383	C-Sharped Snap Ring	2	#25
5-38	682764	Gear	2	18T
5-39	026171	O-Ring	2	S90
5-40	861963	Oil Seal	2	SC25447
5-41	091376	Plug Ass'y	3	G1/4 Incl.42
5-42	023170	O-Ring	3	P12.5
5-43	863078	Diff. Shaft	1	
5-44	863079	Diff. Shaft	1	
5-45	861966	Stay	1	

5. BSA-500JMQ
REAR AXLE



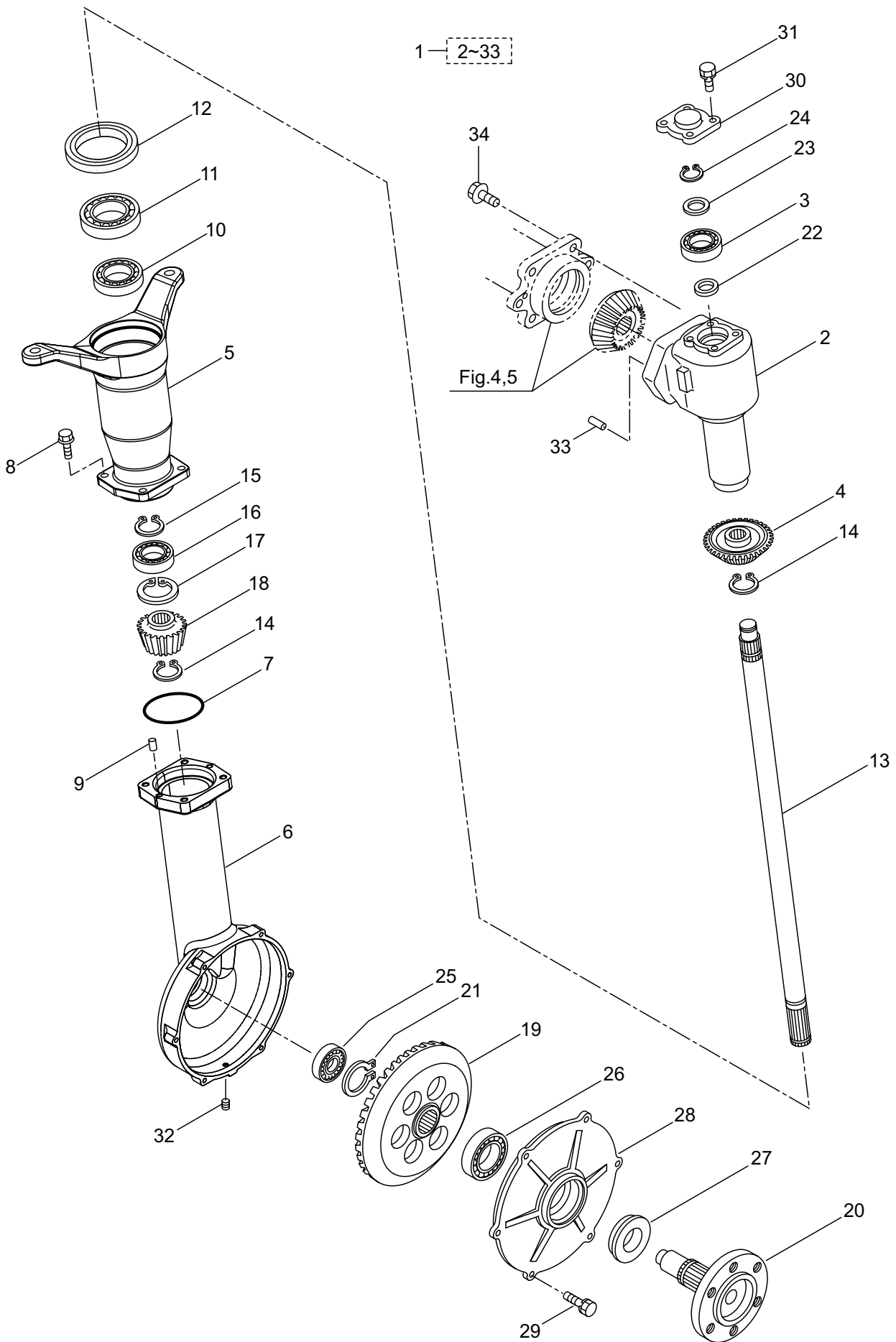
Ref. No.	Parts No.	Parts Name	Q'ty	Remarks
5-46	861967	Spring	1	
5-47	082105	Bolt	1	M6X25
5-48	127298	Nut	1	M6
5-49	862017	Spacer	4	
5-50	026171	O-Ring	4	S90
5-51	126763	Bolt	1	M8X20(SM)
5-52	861989	Plate	1	
5-53	860078	Bolt	24	M12X1.25X30-8.8

6. BSA-500JMQ STEERING LINKAGE



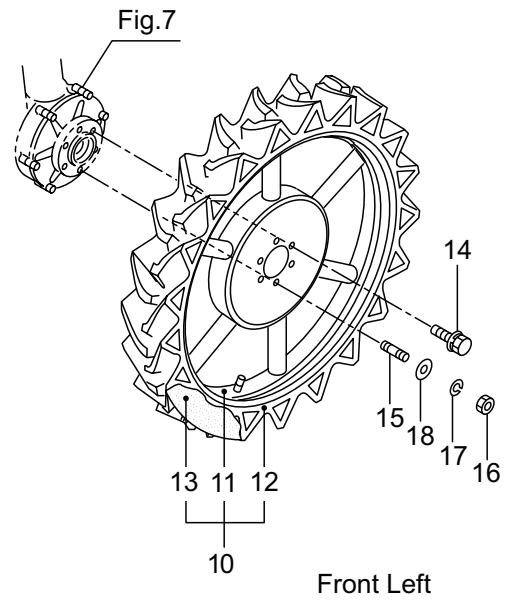
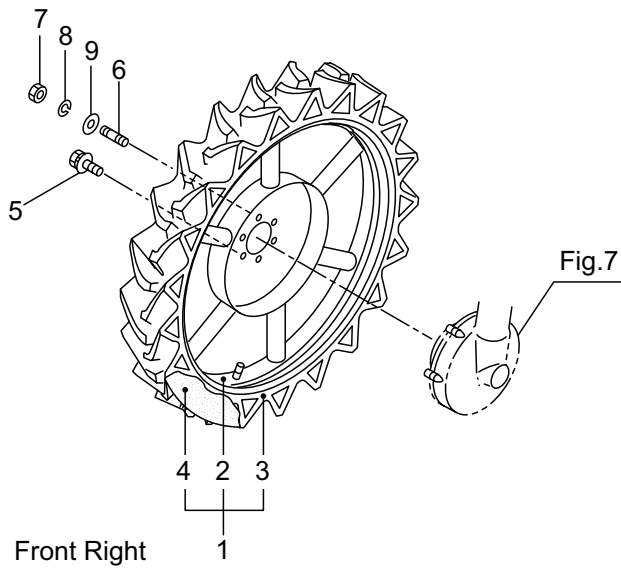
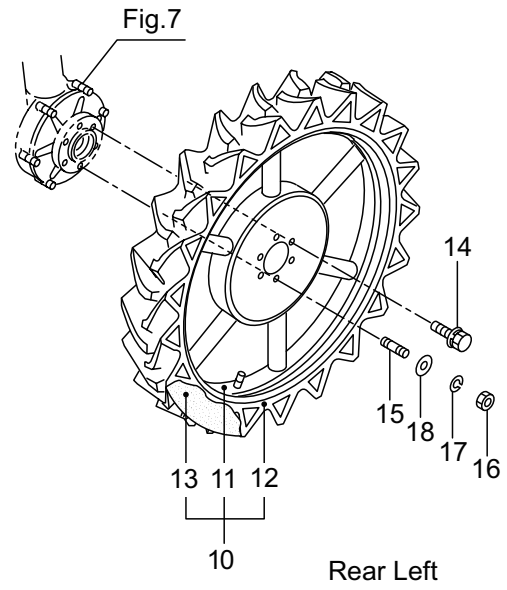
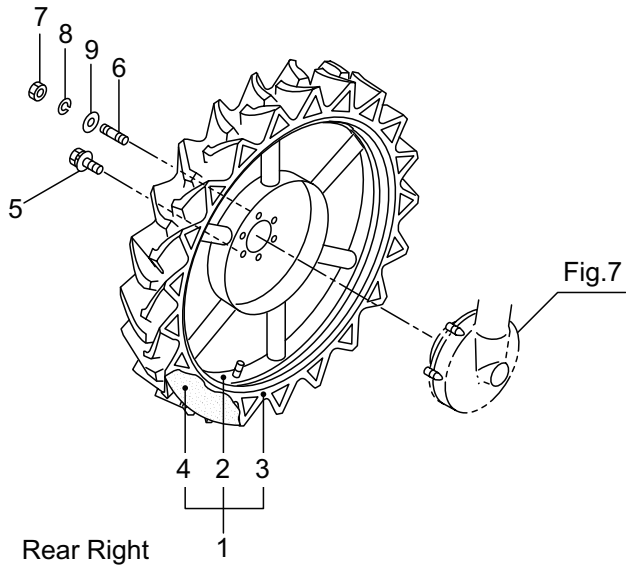
Ref. No.	Parts No.	Parts Name	Q'ty	Remarks
6-1	865998	Cylinder	1	
6-2	165766	45-Elbow	2	
6-3	861728	Bolt	4	M10X1.25X30-8.8
6-4	022901	Washer	2	M16
6-5	863080	Rod Ass'y	2	Incl.6-13
6-6	863081	Rod	2	
6-7	681494	Joint	2	
6-8	081084	Nut	2	M20X1.5
6-9	181963	Ball End Ass'y	2	M17X1.5(L) Incl.10-12
6-10	088236	Nut	2	M12X1.25
6-11	069404	Split Pin	2	3X25L
6-12	126570	Spring Washer	2	M12
6-13	181965	Nut	2	M17X1.5 (L)
6-14	089385	Bolt	8	M10X30-7T
6-15	126231	Spring Washer	8	M10
6-16	013849	Washer	4	M10
6-17	126567	Nut	4	M10
6-18	865004	Step	1	
6-19	126575	Washer	2	M12
6-20	040203	Washer	4	10.5X30XT3.2
6-21	865998	Cylinder	1	
6-22	650166	90-Elbow	2	
6-23	869841	Bracket	1	
6-24	864894	Bolt	4	M10X1.25X40-8.8
6-25	860841	Bolt	4	M10X1.25X25-8.8
6-26	022901	Washer	2	M16
6-27	863080	Rod Ass'y	2	Incl.28-35
6-28	863081	Rod	2	
6-29	681494	Joint	2	
6-30	081084	Nut	2	M20X1.5
6-31	181963	Ball End Ass'y	2	M17X1.5(L) Incl.32-34
6-32	088236	Nut	2	M12X1.25
6-33	069404	Split Pin	2	3X25L
6-34	126570	Spring Washer	2	M12
6-35	181965	Nut	2	M17X1.5 (L)
6-36	864895	Bolt	2	M16X1.5X25-8.8
6-37	126569	Spring Washer	2	M16
6-38	865213	Bracket	1	
6-39	860919	Bolt	8	M10X1.25X20-8.8

7. BSA-500JMQ
 KNUCKLE



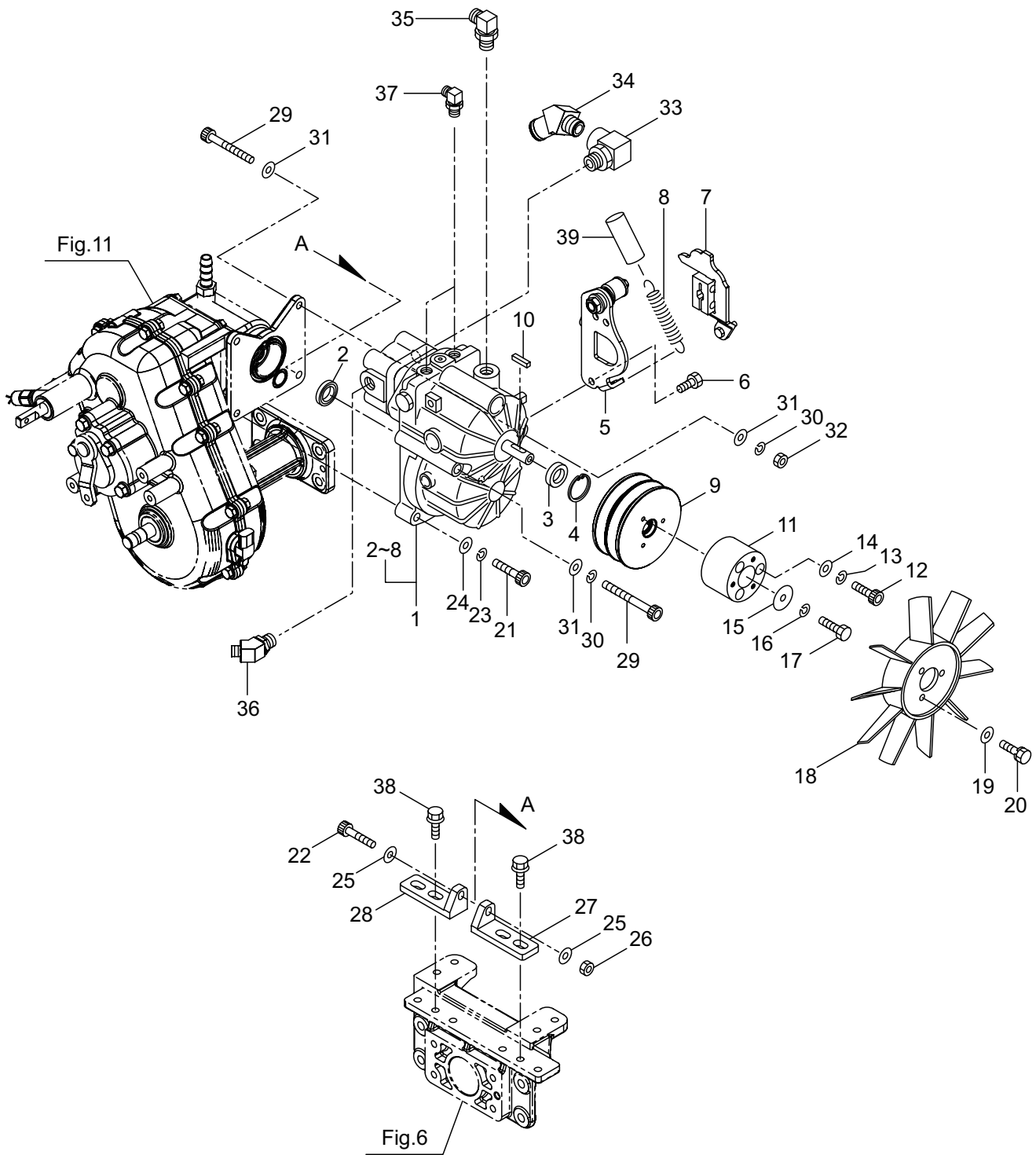
Ref. No.	Parts No.	Parts Name	Q'ty	Remarks
7-1	865858	Knuckle Ass'y	4	Incl.2-33
7-2	865859	Gear Case	4	
7-3	108252	Bearing	4	6204ZZ
7-4	682763	Gear	4	20T
7-5	865861	Gear Case	4	
7-6	864102	Gear Case	4	
7-7	011340	O-Ring	4	G85
7-8	864104	Bolt	16	M10X1.25X35X8.8
7-9	864105	Pin	8	8X14
7-10	865863	Bearing	4	6011DDU
7-11	865864	Bearing	4	6013DDU
7-12	861862	Oil Seal	4	
7-13	864106	Shaft	4	
7-14	153889	C-Sharped Snap Ring	8	#24
7-15	012383	C-Sharped Snap Ring	4	#25
7-16	651557	Bearing	4	6205DDU
7-17	147268	C-Sharped Snap Ring	4	#52
7-18	181989	Gear	4	14T
7-19	181990	Gear	4	54T
7-20	196708	Wheel Shaft	4	
7-21	181994	C-Sharped Snap Ring	4	#34
7-22	196709	Collar	4	
7-23	680466	Washer	4	
7-24	047866	C-Sharped Snap Ring	4	#20
7-25	108252	Bearing	4	6204ZZ
7-26	063476	Bearing	4	#6207ZZ
7-27	157045	Oil Seal	4	
7-28	181995	Flange	4	
7-29	096051	Bolt	24	M8X20-7T
7-30	196496	Bearing Case	4	
7-31	096051	Bolt	16	M8X20-7T
7-32	165769	Hex. Socket Plug	4	PT1/8
7-33	141844	Pin	4	M6-B-8X18
7-34	860078	Bolt	24	M12X1.25X30-8.8

8. BSA-500JMQ WHEEL



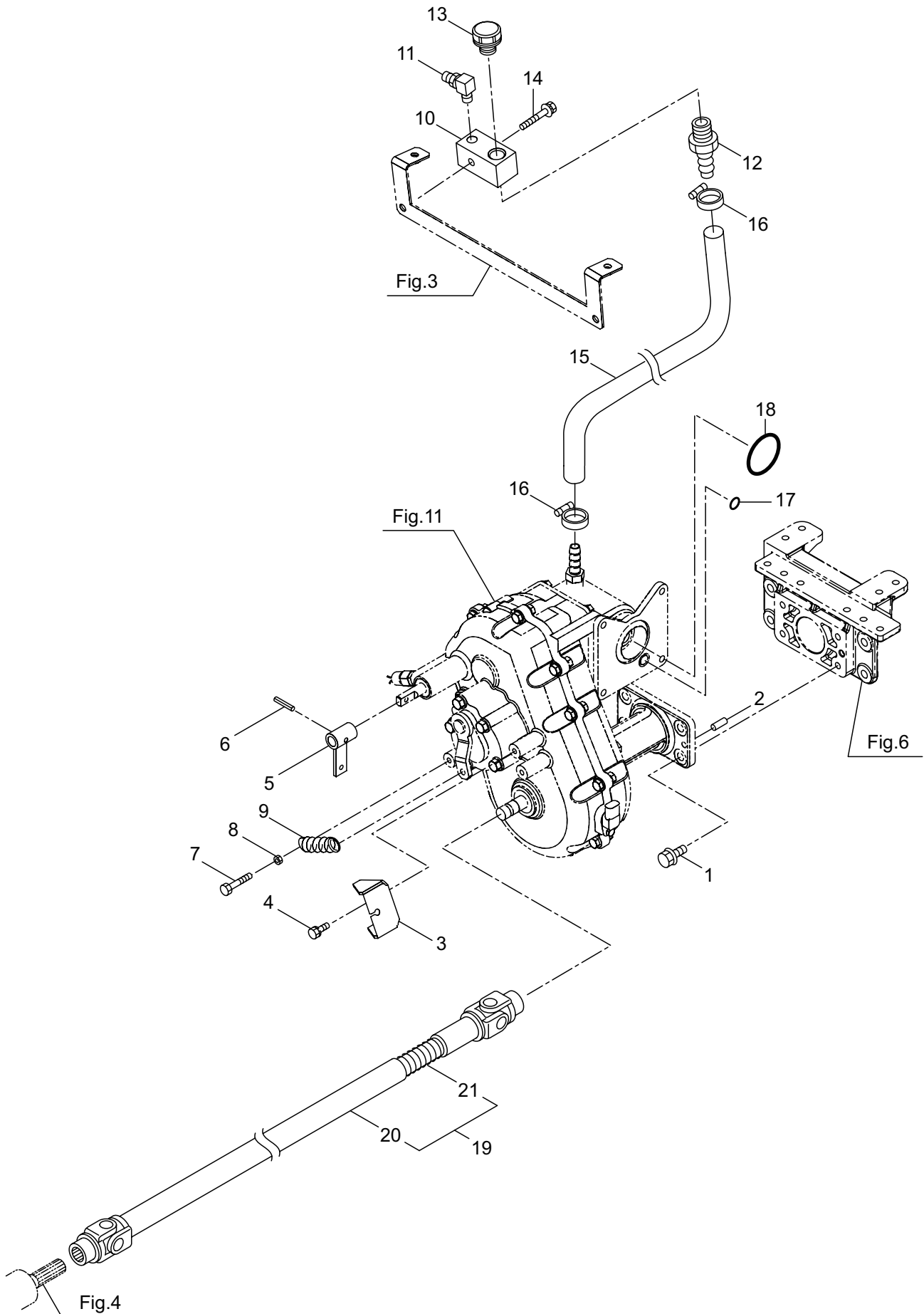
Ref. No.	Parts No.	Parts Name	Q'ty	Remarks
8-1	862867	Wheel Ass'y	2	(R) Incl.2-4
8-2	862673	Wheel	2	4JAX26WDC
8-3	862868	Tire	2	120/90-26AG
8-4	682524	Tube	2	
8-5	190124	Bolt	8	M12X1.25X30-7T
8-6	196721	Stud Bolt	4	M12X1.25
8-7	081055	Nut	4	M12X1.25
8-8	126570	Spring Washer	4	M12
8-9	126575	Washer	4	M12
8-10	862869	Wheel Ass'y	2	(L) Incl.11-13
8-11	862673	Wheel	2	4JAX26WDC
8-12	862868	Tire	2	120/90-26AG
8-13	682524	Tube	2	
8-14	190124	Bolt	8	M12X1.25X30-7T
8-15	196721	Stud Bolt	4	M12X1.25
8-16	081055	Nut	4	M12X1.25
8-17	126570	Spring Washer	4	M12
8-18	126575	Washer	4	M12

9. BSA-500JMQ
HST



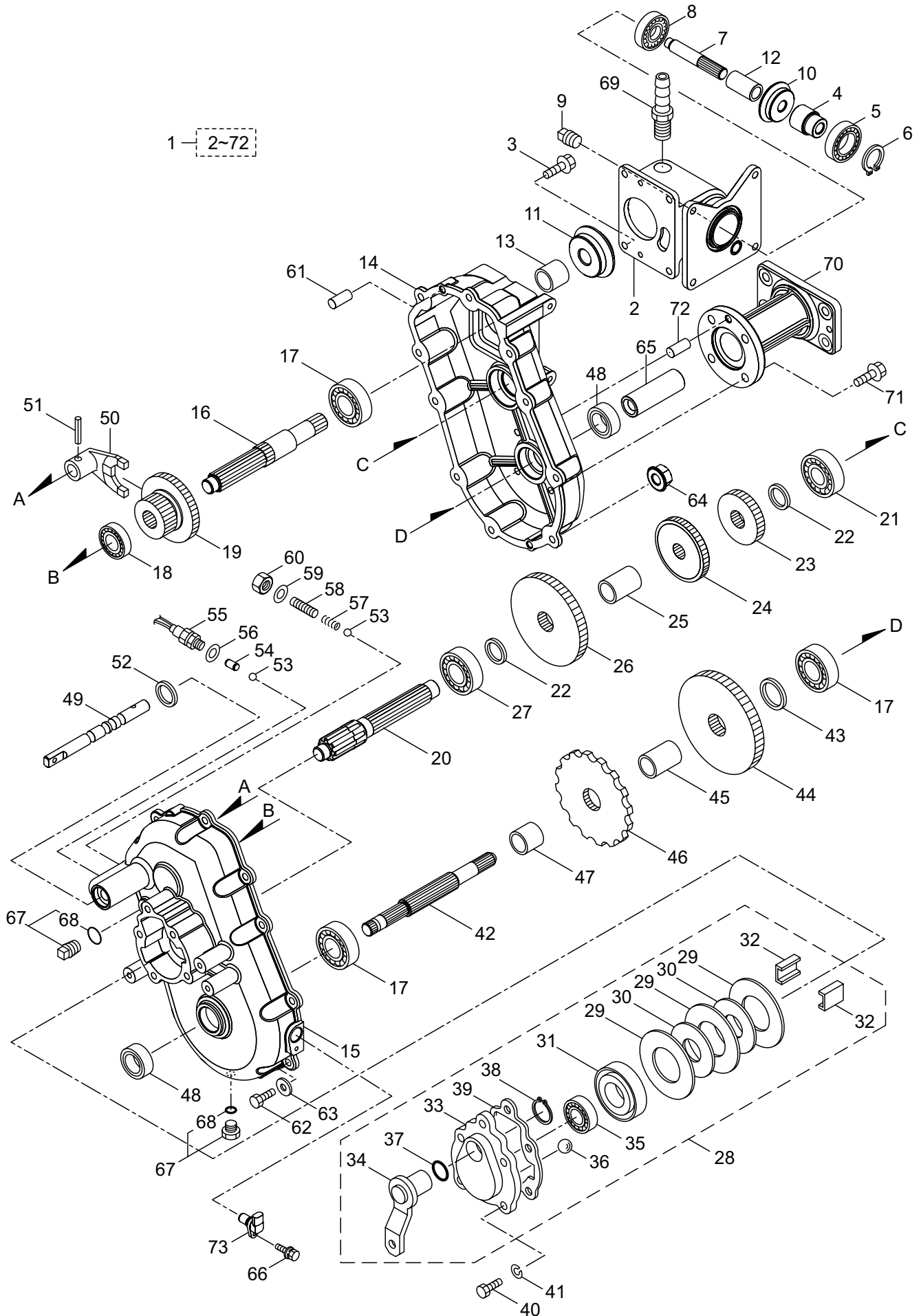
Ref. No.	Parts No.	Parts Name	Q'ty	Remarks
9-1	880238	HST Ass'y	1	Incl.2-8
9-2	880239	Oil Seal	1	
9-3	880240	Oil Seal	1	
9-4	880241	Snap Ring	1	
9-5	880242	Plate Ass'y	1	
9-6	880243	Bolt	2	
9-7	880244	Lever	1	
9-8	880245	Spring	1	
9-9	864745	V-Pulley	1	
9-10	868949	Key	1	
9-11	868476	Adapter	1	
9-12	087819	Cap Screw	3	M6X25
9-13	126568	Spring Washer	3	M6
9-14	127239	Washer	3	M6
9-15	143367	Washer	1	6.1X25XT3.2
9-16	126568	Spring Washer	1	M6
9-17	654504	Bolt	1	M6X25-10.9
9-18	864751	Fan	1	
9-19	022981	Washer	3	6.5X15XT2
9-20	092505	Bolt	3	M6X16
9-21	087857	Cap Screw	1	M8X55X22
9-22	880237	Cap Screw	1	M8X75X30-12.9
9-23	126232	Spring Washer	1	M8
9-24	127216	Washer	1	M8
9-25	160959	Washer	2	8.5X18XT3.2
9-26	109287	Nut	1	M8
9-27	869843	Bracket	1	
9-28	869845	Bracket	1	
9-29	865615	Cap Screw	2	M8X125X25-10.9
9-30	126232	Spring Washer	2	M8
9-31	127216	Washer	3	M8
9-32	126990	Nut	1	M8
9-33	864761	90-Elbow(1/2)	1	
9-34	864762	45-Elbow	1	R1/2X25.4
9-35	864763	90-Elbow	1	
9-36	176119	45-Elbow	1	
9-37	186169	90-Elbow	2	
9-38	860919	Bolt	4	M10X1.25X20-8.8
9-39	880246	Vinyl Hose	1	15X18X50L

10. BSA-500JMQ
SUB MISSION, PROPELLER SHAFT



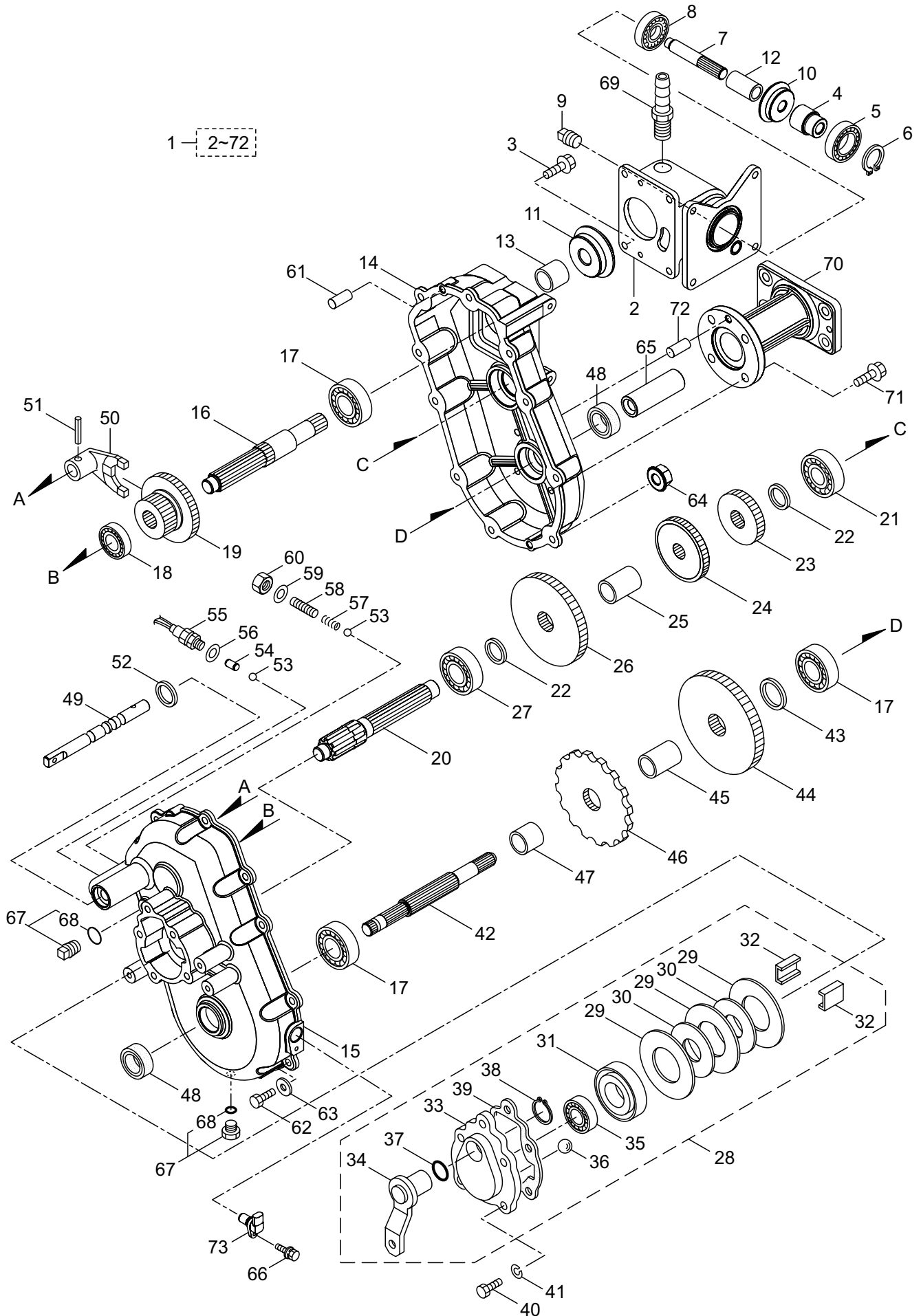
Ref. No.	Parts No.	Parts Name	Q'ty	Remarks
10-1	864894	Bolt	4	M10X1.25X40-8.8
10-2	141844	Pin	1	M6-B-8X18
10-3	864998	Bracket	1	
10-4	092513	Bolt	2	M8X16
10-5	864999	Joint	1	
10-6	062958	Spring Pin	1	6X22AW
10-7	080152	Bolt	1	M8X50X26
10-8	126990	Nut	1	M8
10-9	174512	Spring	1	
10-10	865002	Oil Supply	1	
10-11	862045	Elbow	1	L1N1/4-PT1/4
10-12	862043	Nipple	1	
10-13	292502	Cap	1	
10-14	817018	Bolt	1	M8X50(SM)
10-15	865003	Hose	1	12.7X22X560L
10-16	862107	Hose Band	2	
10-17	049106	O-Ring	1	S15
10-18	015856	O-Ring	1	G55
10-19	867613	Propeller Shaft Ass'y	1	Incl.20,21
10-20	867614	Joint Ass'y	1	
10-21	825012	Spring	1	

11. BSA-500JMQ
SUB MISSION (Detailed Drawing)



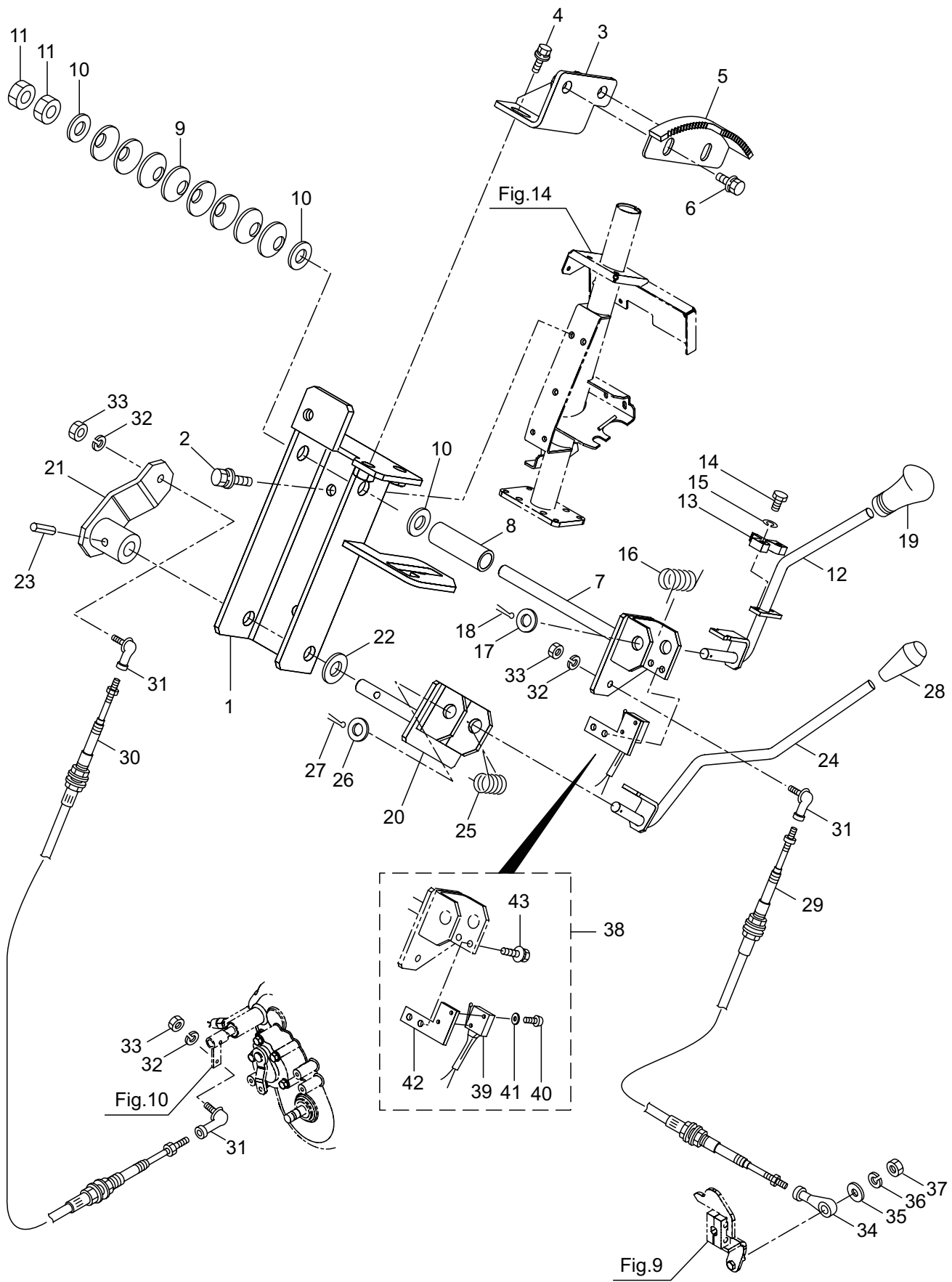
Ref. No.	Parts No.	Parts Name	Q'ty	Remarks
11-1	864964	Sub Mission Ass'y	1	Incl.2-72
11-2	866017	Gear Case	1	
11-3	688793	Bolt	4	M8X20
11-4	864967	Joint	1	
11-5	179803	Bearing	1	#6905
11-6	145096	C-Sharped Snap Ring	1	#42
11-7	864968	Shaft	1	
11-8	685366	Bearing	1	#6201
11-9	145964	Hex. Socket Plug	1	R1/4
11-10	864969	Gear	1	MM2.5-20
11-11	864970	Gear	1	MM2.5-20
11-12	864971	Collar	1	
11-13	864972	Collar	1	
11-14	864973	Gear Case	1	
11-15	864975	Gear Case	1	
11-16	864977	Shaft	1	
11-17	013832	Bearing	3	#6203
11-18	012544	Bearing	1	#6202
11-19	864978	Shift Gear	1	
11-20	863754	Shaft	1	
11-21	056084	Bearing	1	#6303
11-22	864980	Collar	2	20.2X30X2L
11-23	864981	Gear	1	
11-24	864982	Gear	1	
11-25	864983	Collar	1	20.2X30X35L
11-26	864984	Gear	1	
11-27	015710	Bearing	1	#6204
11-28	862111	Brake Ass'y	1	Incl.29-39
11-29	862112	Steel Plate	3	
11-30	862113	Disk Comp.	2	
11-31	862114	Cam Plate(L)	1	
11-32	864405	Plate	2	
11-33	862116	Side Case Cover(L)	1	
11-34	862117	Brake Arm	1	
11-35	576691	Bearing	1	6202
11-36	862118	Ball	3	12.7
11-37	011338	O-Ring	1	P18
11-38	056098	C-Sharped Snap Ring	1	#22
11-39	862119	Packing	1	
11-40	088492	Bolt	5	M10X25-7T
11-41	126231	Spring Washer	5	M10
11-42	864985	Shaft	1	
11-43	864986	Collar	1	22X27.2X5L
11-44	864987	Gear	1	
11-45	864988	Collar	1	22X27.2X34.5L

11. BSA-500JMQ
 SUB MISSION (Detailed Drawing)



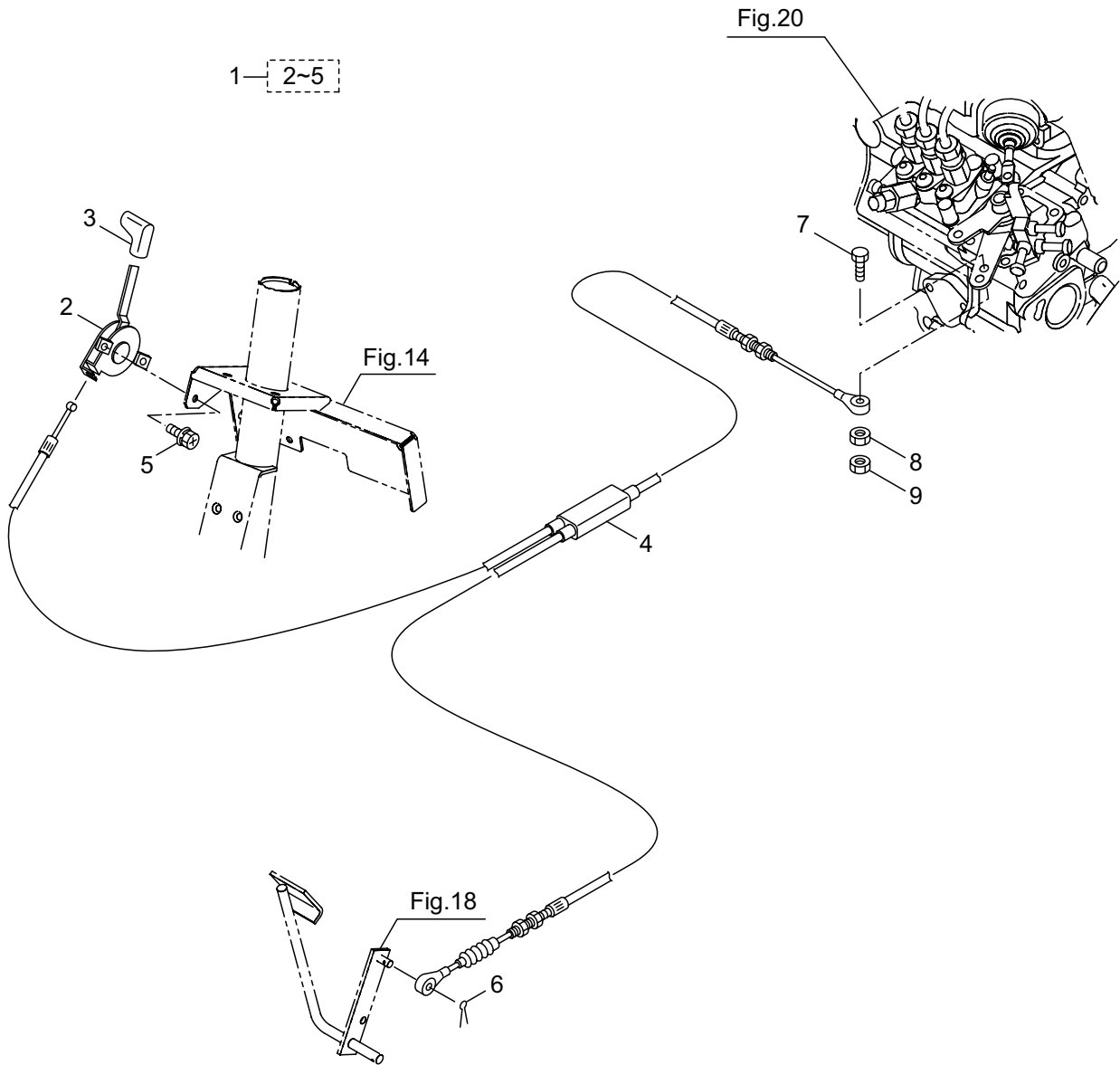
Ref. No.	Parts No.	Parts Name	Q'ty	Remarks
11-46	864989	Sensor Plate	1	
11-47	864990	Collar	1	22X27.2X25.5L
11-48	864991	Oil Seal	2	D17328
11-49	864992	Shift Rod	1	
11-50	862108	Shifter	1	
11-51	062958	Spring Pin	1	6X22AW
11-52	864993	Oil Seal	1	D14257
11-53	146417	Ball	2	5/16
11-54	864994	Pin	1	M8-B-8X15
11-55	154815	Switch	1	
11-56	864599	Seal Washer	1	M14
11-57	175708	Spring	1	
11-58	088967	Cap Screw	1	M10X30
11-59	056080	Seal Washer	1	M10
11-60	081050	Nut	1	M10
11-61	141844	Pin	2	M6-B-8X18
11-62	128213	Bolt	10	M8X25
11-63	127216	Washer	10	M8
11-64	126201	Nut	10	M8
11-65	864997	Joint	1	
11-66	096037	Bolt	1	M6X16(SM)
11-67	091376	Plug Ass'y	2	G1/4 Incl.68
11-68	023170	O-Ring	2	P12.5
11-69	862043	Hose Nipple	1	
11-70	864995	Joint	1	
11-71	861290	Bolt	4	M10X25
11-72	141844	Pin	1	M6-B-8X18
11-73	197013	Sensor	1	

12. BSA-500JMQ
SHIFT LEVER



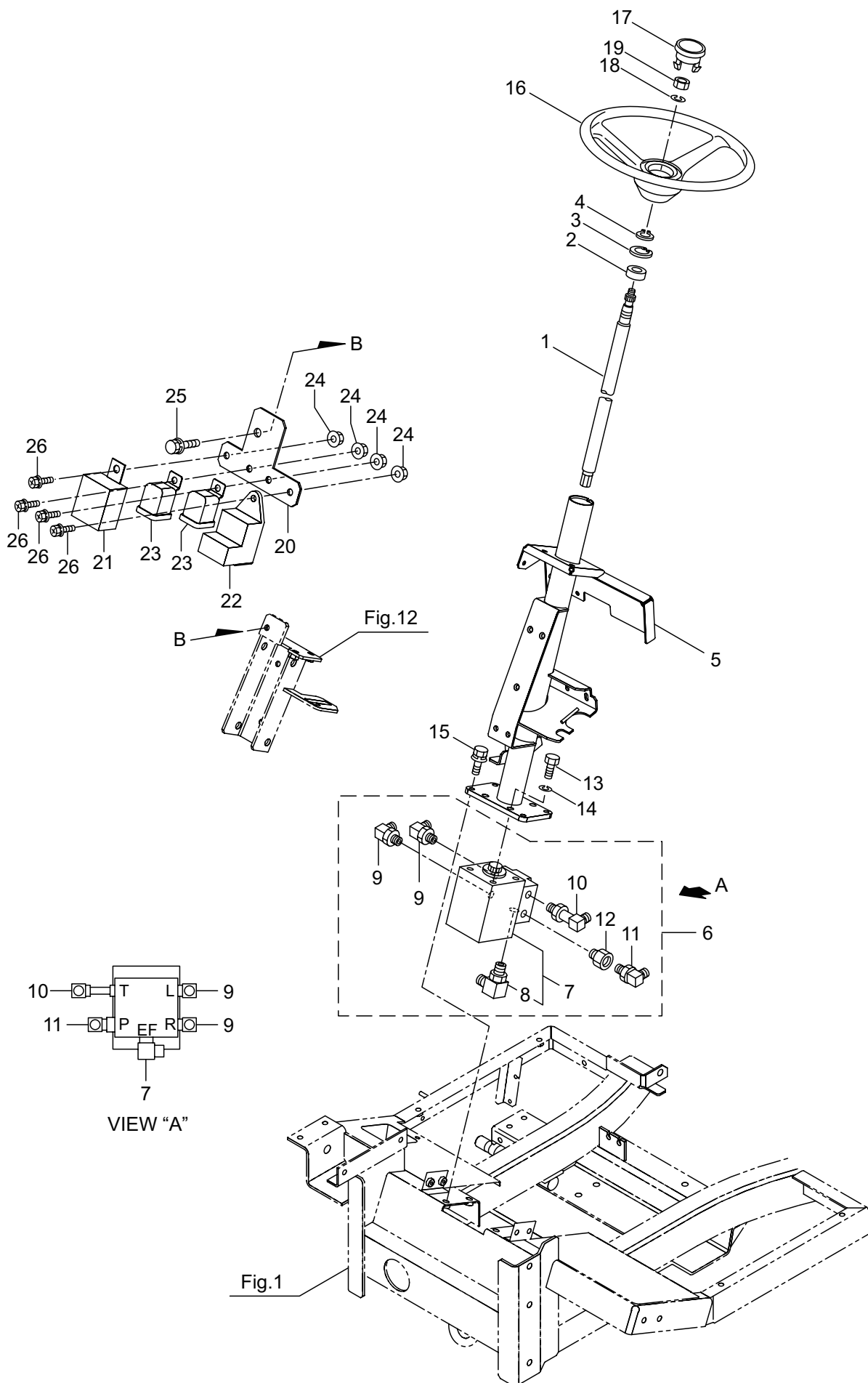
Ref. No.	Parts No.	Parts Name	Q'ty	Remarks
12-1	865994	Bracket	1	
12-2	126763	Bolt	3	M8X20(SM)
12-3	864793	Stay	1	
12-4	126763	Bolt	2	M8X20(SM)
12-5	861629	Rack Plate	1	
12-6	126763	Bolt	2	M8X20(SM)
12-7	864794	Bracket	1	
12-8	864798	Collar	1	12.7X17.3X52.5L
12-9	088543	Spring	8	H25
12-10	126575	Washer	3	M12
12-11	081061	Nut	2	M12
12-12	864799	Lever	1	
12-13	861625	Plate	1	
12-14	089857	Bolt	2	M6X16-8.8T
12-15	126568	Spring Washer	2	M6
12-16	861626	Spring	1	
12-17	146433	Washer	1	13.5X26XT2.3
12-18	014314	Split Pin	1	2X18
12-19	192196	Knob	1	
12-20	864802	Bracket	1	
12-21	867493	Plate	1	
12-22	126575	Washer	1	M12
12-23	865826	Spring Pin	1	6X26AW
12-24	864809	Lever	1	
12-25	861639	Spring	1	
12-26	146433	Washer	1	13.5X26XT2.3
12-27	014314	Split Pin	1	2X18
12-28	069664	Knob	1	
12-29	864811	Wire Ass'y	1	2478L
12-30	864812	Wire Ass'y	1	1461L
12-31	864185	Rod End	3	BL6D
12-32	126568	Spring Washer	3	M6
12-33	127298	Nut	3	M6
12-34	861650	Rod End	1	NHS6T
12-35	127239	Washer	1	M6
12-36	126568	Spring Washer	1	M6
12-37	127298	Nut	1	M6
12-38	864813	Sensor Ass'y	1	Incl.39-43
12-39	864778	Switch	1	
12-40	088306	Screw	2	M3X20
12-41	065000	Washer	2	M3
12-42	864814	Plate	1	
12-43	092576	Bolt	2	M5X12(SM)

13. BSA-500JMQ
THROTTLE LEVER



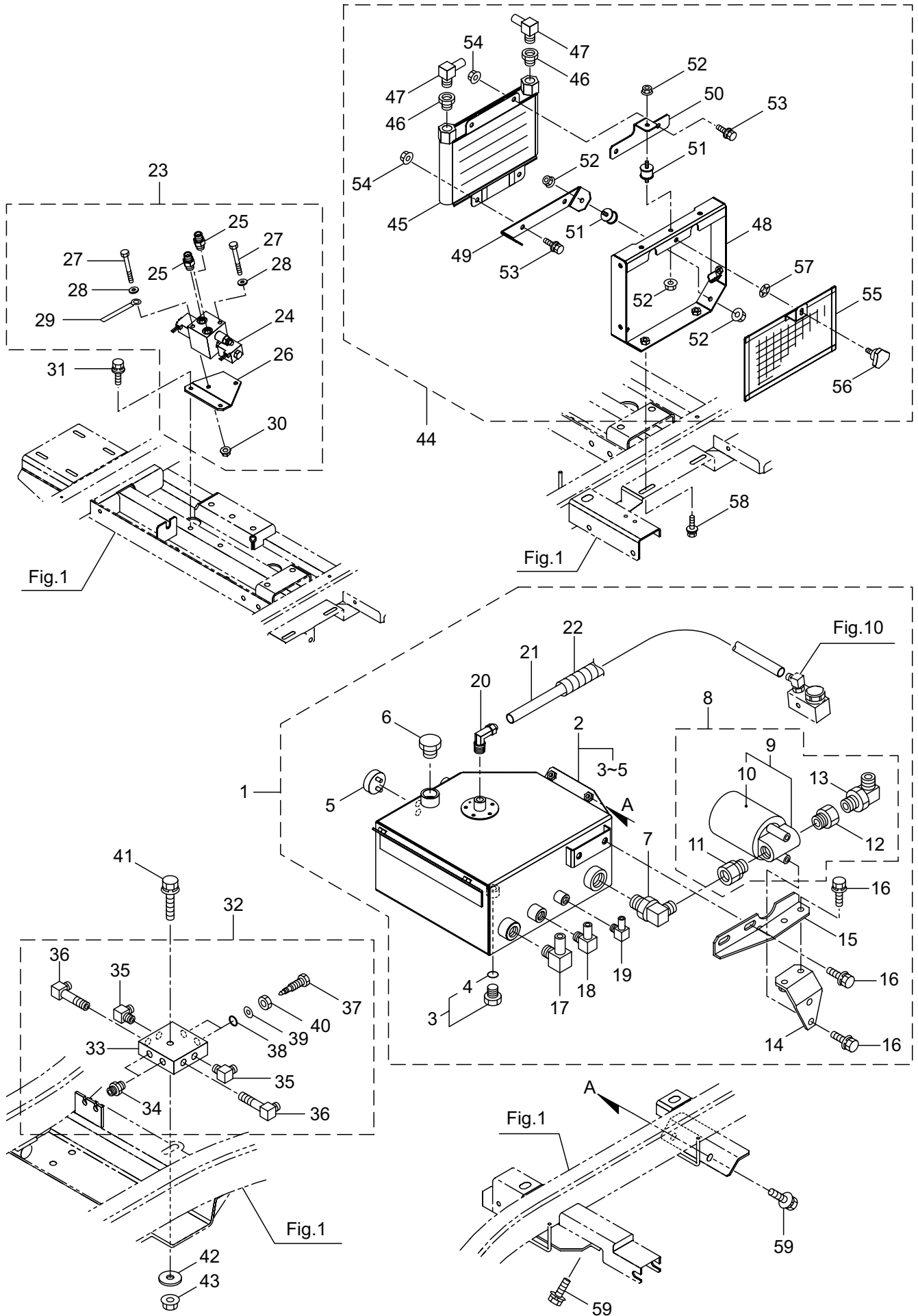
Ref. No.	Parts No.	Parts Name	Q'ty	Remarks
13-1	864937	Throttle Lever Ass'y	1	Incl.2-5
13-2	860116	Throttle Lever	1	
13-3	860117	Knob	1	
13-4	864943	Pull Cable Ass'y	1	
13-5	092501	Bolt	2	M6X16(SM)
13-6	014314	Split Pin	1	2X18
13-7	082105	Bolt	1	M6X25
13-8	127298	Nut	1	M6
13-9	112509	Nut	1	M6

14. BSA-500JMQ STEERING



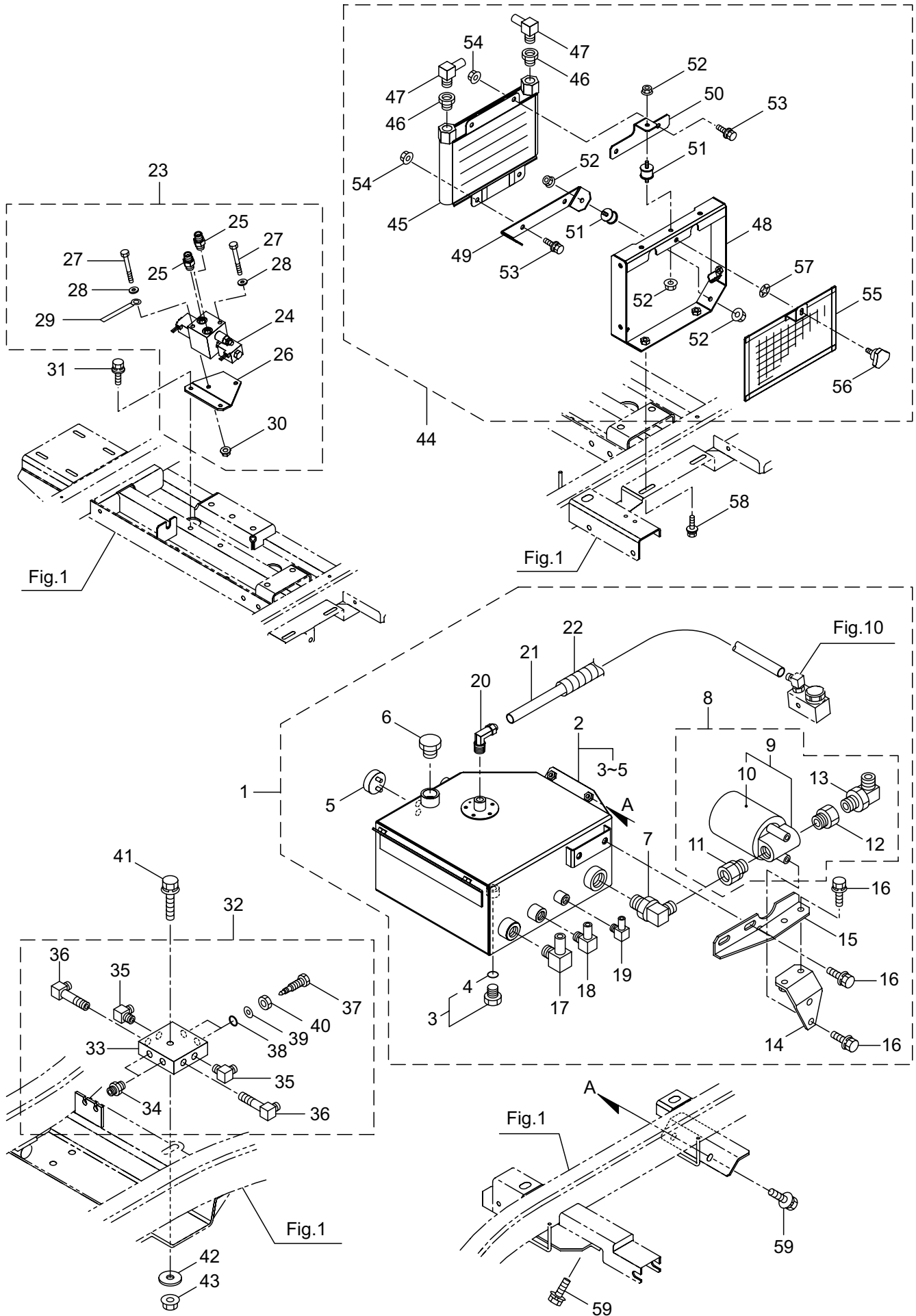
Ref. No.	Parts No.	Parts Name	Q'ty	Remarks
14-1	864726	Shaft	1	
14-2	538303	Bearing	1	6904DDU
14-3	064985	C-Sharped Snap Ring	1	#37
14-4	047866	C-Sharped Snap Ring	1	#20
14-5	867495	Pipe Ass'y	1	
14-6	865883	Steering Unit Ass'y	1	Incl.7-12
14-7	865884	Steering Unit	1	Incl.8
14-8	186165	90-Elbow	1	
14-9	165451	90-Elbow	2	
14-10	866033	90-Elbow	1	
14-11	165450	90-Elbow	1	
14-12	865885	Extension	1	
14-13	088146	Bolt	4	M10X1.25X25
14-14	126231	Spring Washer	4	M10
14-15	096036	Bolt	4	M8X25(SM)
14-16	860832	Steering Wheel	1	
14-17	860833	Center Pad	1	
14-18	126570	Spring Washer	1	M12
14-19	081059	Nut	1	M12X1.5
14-20	865993	Plate	1	
14-21	533249	Timer	1	
14-22	173907	Timer	1	
14-23	187943	Relay	2	
14-24	126756	Nut	4	M6
14-25	126763	Bolt	1	M8X20(SM)
14-26	092501	Bolt	4	M6X16(SM)

15. BSA-500JMQ
HYDRAULIC EQUIPMENT



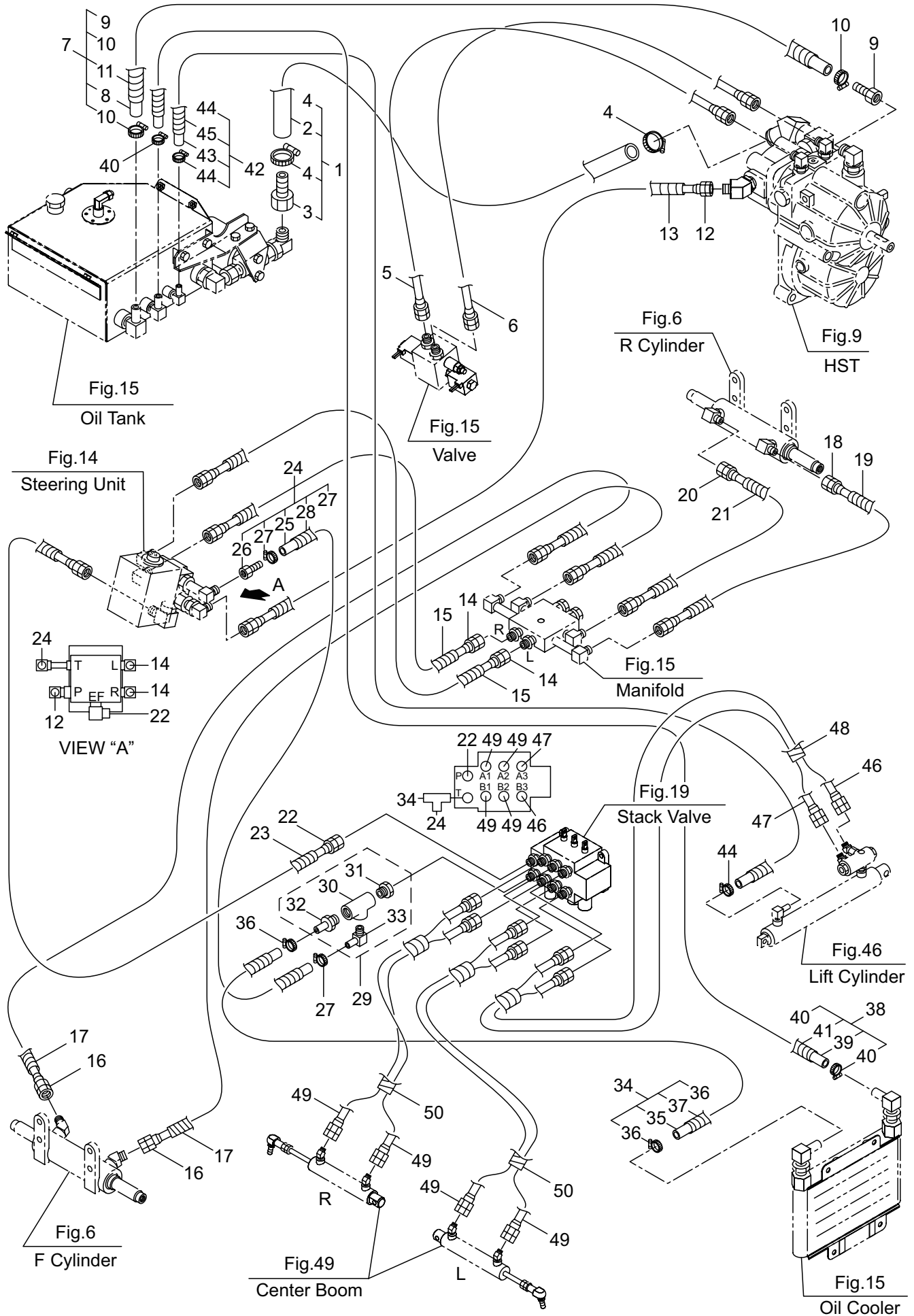
Ref. No.	Parts No.	Parts Name	Q'ty	Remarks
15-1	866136	Oil Tank Ass'y	1	Incl.2-22
15-2	866127	Oil Tank	1	Incl.3-5
15-3	091376	Plug Ass'y	1	G1/4 Incl.4
15-4	023170	O-Ring	1	P12.5
15-5	864685	Oil Gauge	1	
15-6	866132	Plug(G3/4)	1	PP-3/4
15-7	866128	90°Elbow(G1XG1)	1	
15-8	866129	Oil Filter Ass'y	1	Incl.9-13
15-9	864678	Oil Filter	1	Incl.10
15-10	864679	Cartridge	1	
15-11	866130	Adapter(G1XR1)	1	
15-12	866131	Extension	1	R1XG1
15-13	866128	90°Elbow(G1XG1)	1	
15-14	866133	Bracket	1	
15-15	866134	Bracket	1	
15-16	817015	Bolt	6	M10X20(SM)
15-17	866135	Joint	1	R1/2X13.5
15-18	866035	Joint	1	R3/8X10.5
15-19	865909	Joint	1	R1/4
15-20	862045	Elbow	1	L1N1/4-PT1/4
15-21	864686	Tube	1	N5-1-1/4X1000L
15-22	866106	Coil Tube	1	P6X300L
15-23	864587	Valve Ass'y	1	Incl.24-30
15-24	864588	Valve	1	
15-25	192252	Adapter	2	BP-1/4
15-26	865017	Stay	1	
15-27	080243	Bolt	2	M8X90X22
15-28	127216	Washer	2	M8
15-29	158101	Cord Clamp No.2	1	M8
15-30	126201	Nut	2	M8
15-31	126763	Bolt	2	M8X20(SM)
15-32	864592	Manifold Ass'y	1	Incl.33-40
15-33	860187	Manifold	1	
15-34	165764	Adapter	2	
15-35	165507	90°Elbow	2	
15-36	196838	90°Elbow	2	
15-37	860188	Valve	2	
15-38	014759	O-Ring	2	P6
15-39	020183	Back-up Ring	2	P6
15-40	084020	Nut	2	M12X1.25
15-41	817019	Bolt	1	M8X45(SM)
15-42	019059	Washer	1	8.5X25XT2.6
15-43	126201	Nut	1	M8
15-44	866137	Oil Cooler Ass'y	1	Incl.45-57
15-45	864594	Oil Cooler	1	

15. BSA-500JMQ
HYDRAULIC EQUIPMENT



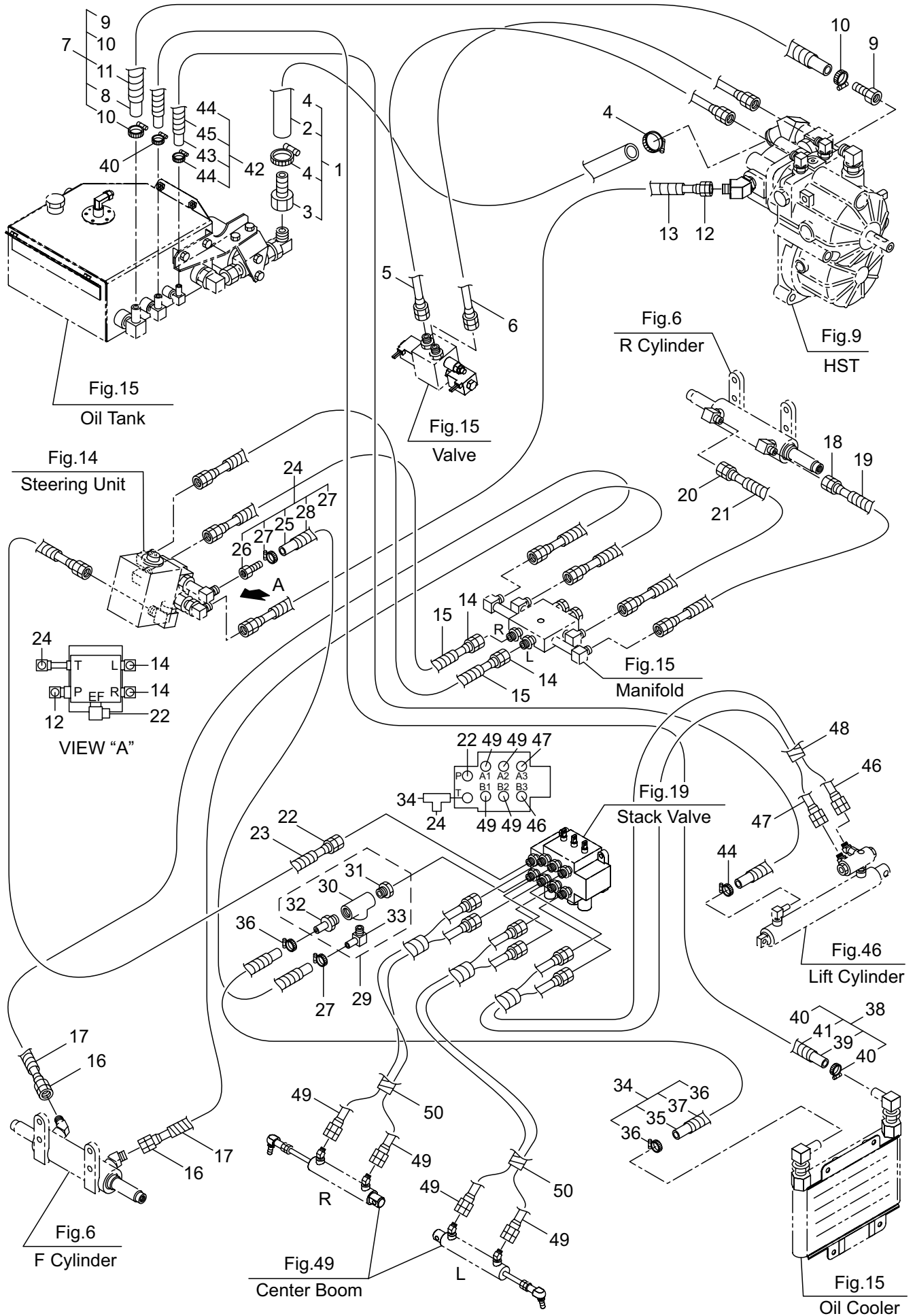
Ref. No.	Parts No.	Parts Name	Q'ty	Remarks
15-46	866138	Bushing(R1/2XRC3/8)	2	
15-47	866035	Joint	2	R3/8X10.5
15-48	864695	Bracket	1	
15-49	864696	Bracket	1	
15-50	864697	Stay	1	
15-51	026662	Buffer	3	20-M6X14
15-52	126756	Nut	6	M6
15-53	817007	Bolt	4	M8X16(SM)
15-54	126201	Nut	4	M8
15-55	864698	Net	1	
15-56	182860	Knob Bolt	1	M6X10
15-57	864699	Washer	1	
15-58	817007	Bolt	2	M8X16(SM)
15-59	126763	Bolt	4	M8X20(SM)

16. BSA-500JMQ HYDRAULIC PIPING



Ref. No.	Parts No.	Parts Name	Q'ty	Remarks
16-1	866140	Hose Ass'y	1	Incl.2-4
16-2	866234	Hose	1	25.4X39.5X190L
16-3	866141	Hose Nipple	1	
16-4	589122	Hose Band	2	
16-5	864704	Hydraulic Hose	1	G1/4X400L
16-6	866142	Hydraulic Hose	1	G1/4X350L
16-7	866143	Hose Ass'y	1	Incl.8-11
16-8	866144	Hose	1	12.7X22X950L
16-9	862073	Hose Nipple	1	
16-10	862107	Hose Band	2	
16-11	866145	Tube	1	25X850L
16-12	866123	Hydraulic Hose	1	G3/8X1850L
16-13	865906	Tube	1	19X1750L
16-14	864710	Hydraulic Hose	2	6.4X380L
16-15	864712	Tube	2	15X280L
16-16	860550	Hydraulic Hose	2	6.4X450L
16-17	864652	Tube	2	15X19.5X350L
16-18	864714	Hydraulic Hose	1	6.4X1500L
16-19	861923	Tube	1	15X19.5X1400L
16-20	864716	Hydraulic Hose	1	6.4X1600L
16-21	195542	Tube	1	15X19.5X1500L
16-22	866124	Hydraulic Hose	1	G3/8X1000L
16-23	862899	Tube	1	19X900L
16-24	865903	Hose Ass'y	1	Incl.25-28
16-25	864719	Hose	1	9.5X17X1700L
16-26	864720	Hose Nipple	1	
16-27	659860	Hose Band	2	
16-28	864722	Tube	1	19X1600L
16-29	865922	Tee Ass'y	1	Incl.30-33
16-30	143282	Tee	1	PT3/8
16-31	865923	Adapter	1	
16-32	865924	Hose Nipple	1	
16-33	866035	Joint	1	R3/8X10.5
16-34	866152	Hose Ass'y	1	Incl.35-37
16-35	866153	Hose	1	9.5X17X3150L
16-36	659860	Hose Band	2	
16-37	866154	Tube	1	19X3050L
16-38	866149	Hose Ass'y	1	Incl.39-41
16-39	866150	Hose	1	9.5X17X1250L
16-40	659860	Hose Band	2	
16-41	866151	Tube	1	19X1150L
16-42	866155	Hose Ass'y	1	Incl.43-45
16-43	865920	Hose	1	7.9X16.5X2700L
16-44	996036	Hose Band	2	
16-45	866036	Tube	1	19X2600L

16. BSA-500JMQ HYDRAULIC PIPING

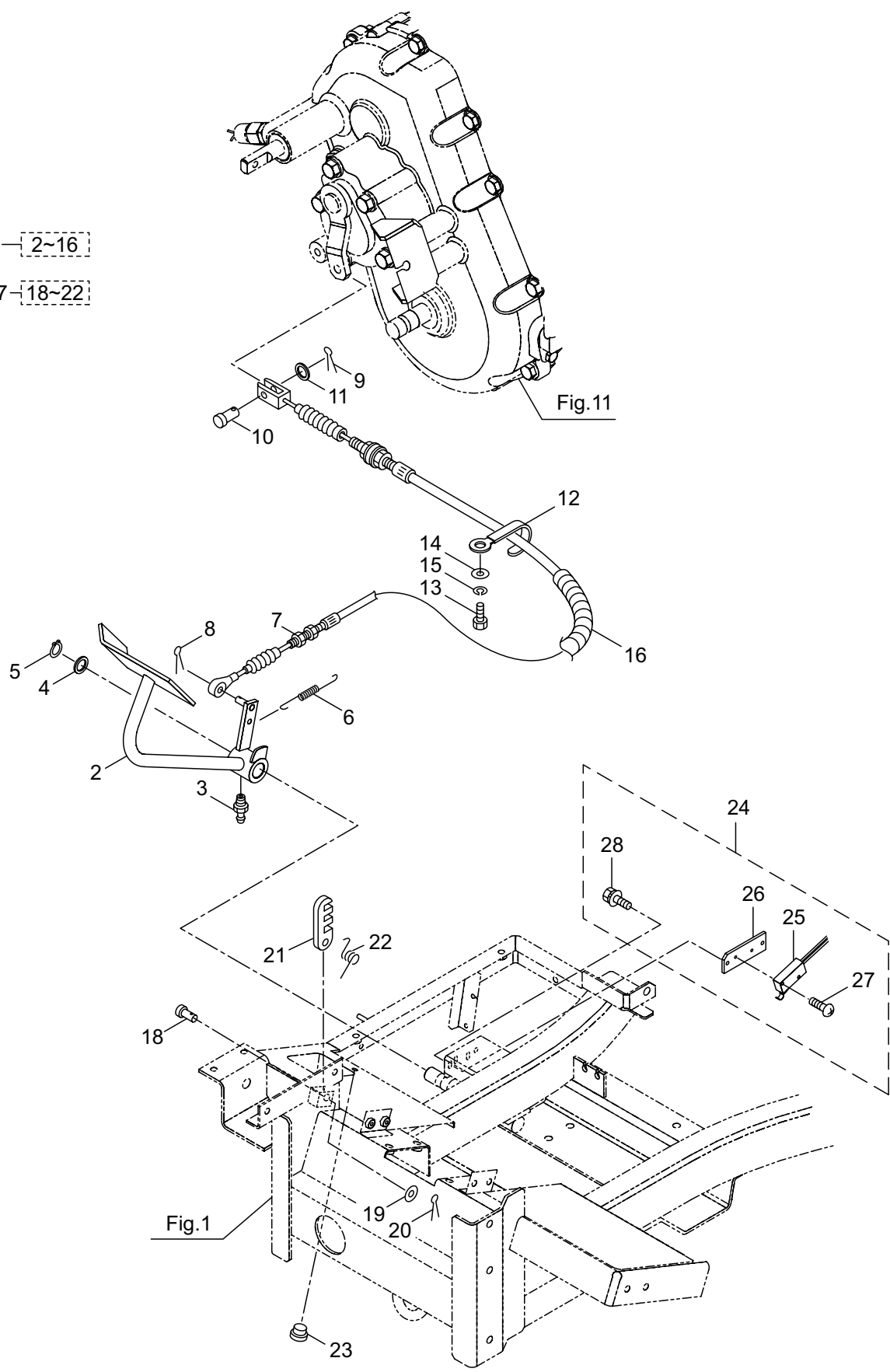


Ref. No.	Parts No.	Parts Name	Q'ty	Remarks
16-46	864714	Hydraulic Hose	1	6.4X1500L
16-47	866037	Hydraulic Hose	1	3.6X1550L
16-48	864725	Tube	1	19X1100L
16-49	865933	Hydraulic Hose	4	3.6X2750L
16-50	865934	Tube	2	15X2350L

17. BSA-500JMQ
BRAKE PEDAL, PARKING BRAKE

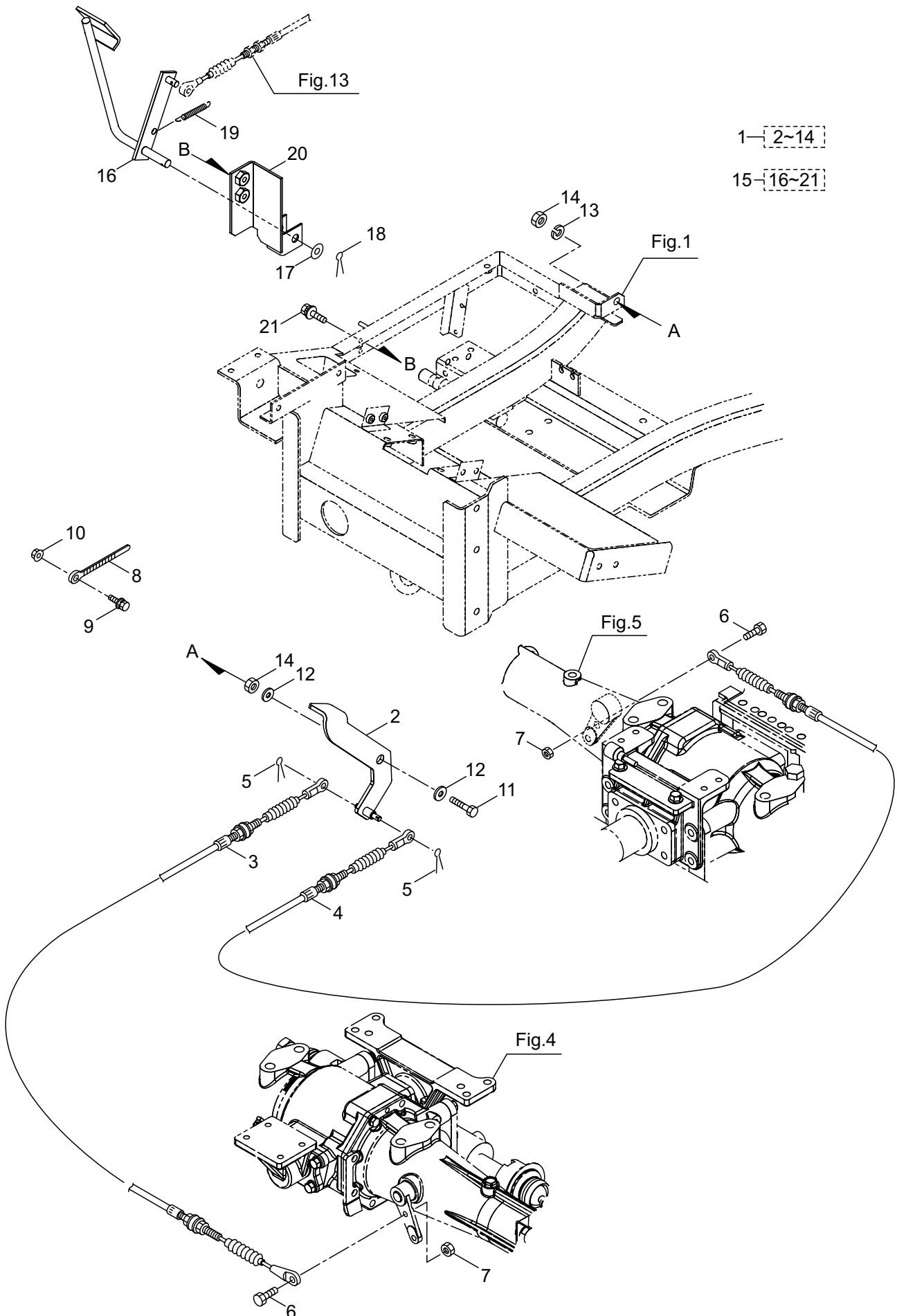
1—2~16

17—18~22



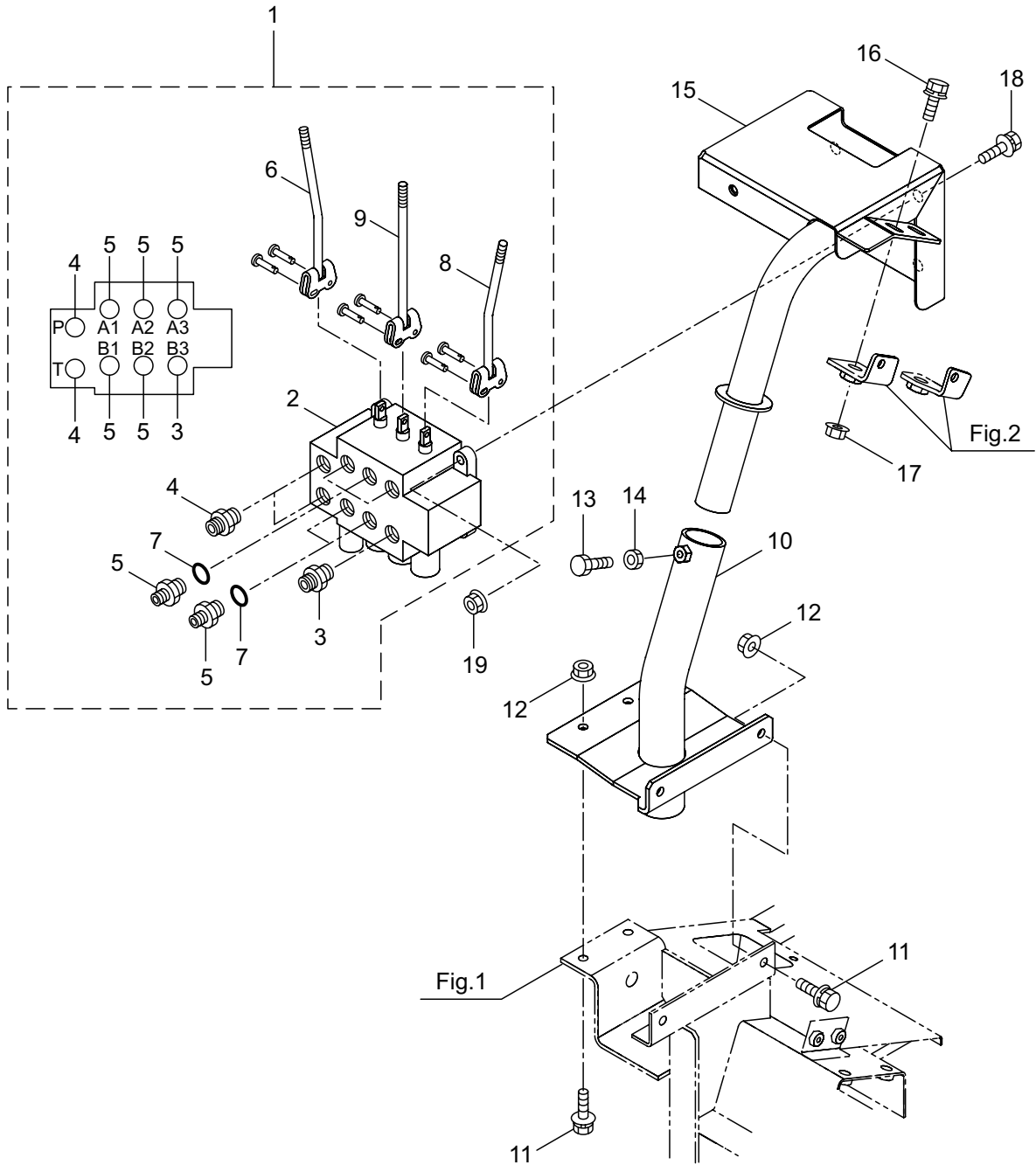
Ref. No.	Parts No.	Parts Name	Q'ty	Remarks
17-1	864770	Brake Pedal Ass'y	1	Incl.2-16
17-2	864771	Pedal	1	
17-3	069553	Grease Nipple	1	A-MT6X1
17-4	149696	Washer	1	21X30XT2.3
17-5	047866	C-Sharped Snap Ring	1	#20
17-6	864775	Spring	1	
17-7	864776	Bowden Wire Ass'y	1	Inner1754 Outer1476
17-8	014314	Split Pin	1	2X18
17-9	153422	Split Pin	1	3.2X20L
17-10	178141	Clevis Pin	1	8X22L
17-11	127216	Washer	1	M8
17-12	158101	Cord Clamp No.2	1	M8
17-13	126528	Bolt	1	M8X16
17-14	127216	Washer	1	M8
17-15	126232	Spring Washer	1	M8
17-16	866105	Tube	1	P6X150L
17-17	860194	Parking Brake Lever Ass'y	1	Incl.18-22
17-18	210336	Clevis Pin	1	6X22L
17-19	127239	Washer	1	M6
17-20	014314	Split Pin	1	2X18
17-21	174158	Lever	1	
17-22	174080	Spring	1	
17-23	184591	Cushion Rubber	1	
17-24	867363	Sensor Ass'y	1	Incl.25-28
17-25	864778	Switch	1	
17-26	867364	Plate Nut	1	
17-27	867365	Screw	2	M3X16
17-28	867366	Bolt	2	M4X10

18. BSA-500JMQ
DIFFERENTIAL LOCK PEDAL, ACCELERATOR PEDAL



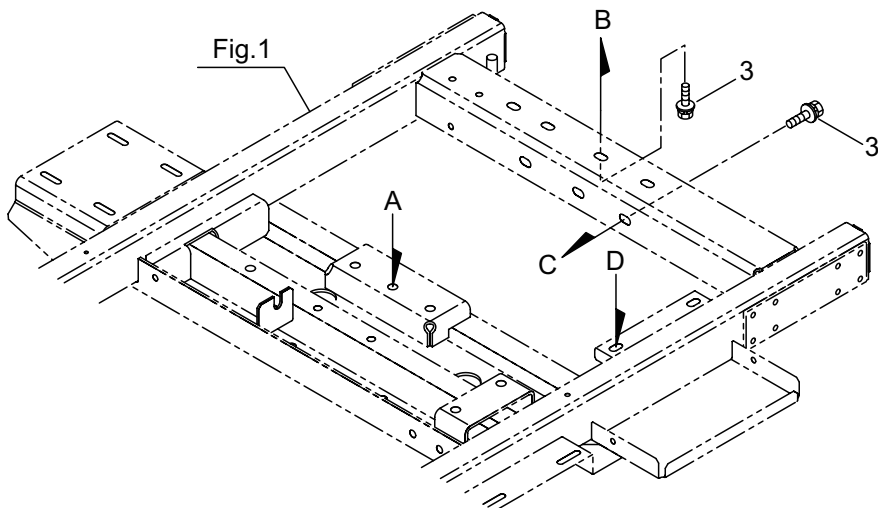
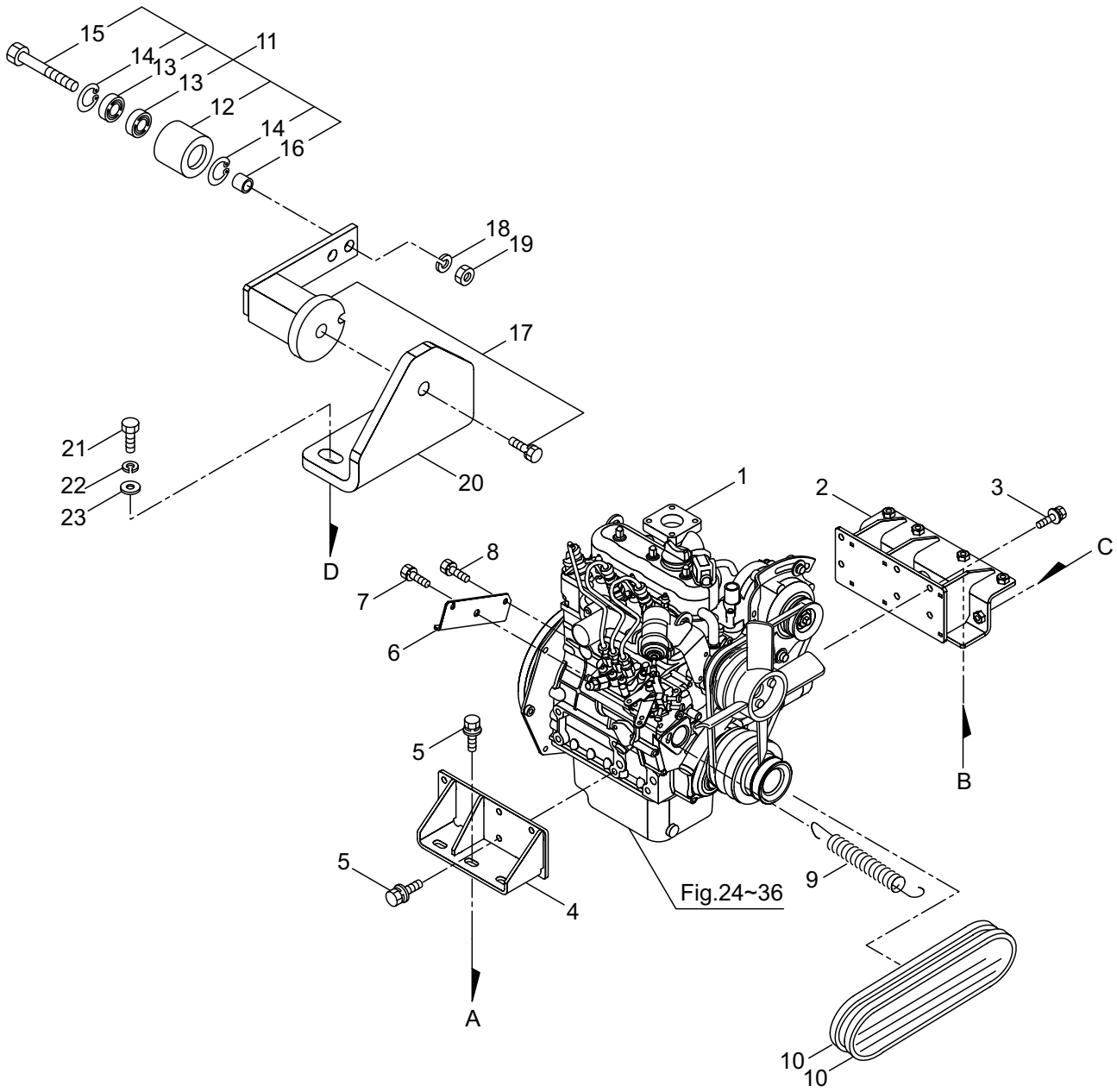
Ref. No.	Parts No.	Parts Name	Q'ty	Remarks
18-1	864673	Diff. Lock Pedal Ass'y	1	Incl.2-14
18-2	865253	Pedal	1	
18-3	864783	Bowden Wire Ass'y	1	Inner968 Outer791
18-4	865255	Bowden Wire Ass'y	1	Inner2607 Outer2430
18-5	014314	Split Pin	2	2X18
18-6	082105	Bolt	2	M6X25
18-7	127298	Nut	2	M6
18-8	683188	Clamp Band	1	
18-9	127301	Bolt	1	M6X20(SM)
18-10	126756	Nut	1	M6
18-11	080437	Bolt	1	M12X45
18-12	126575	Washer	2	M12
18-13	126570	Spring Washer	1	M12
18-14	081061	Nut	2	M12
18-15	864784	Accelerator Pedal Ass'y	1	Incl.16-21
18-16	864785	Pedal	1	
18-17	127216	Washer	1	M8
18-18	014314	Split Pin	1	2X18
18-19	069689	Spring	1	
18-20	864788	Bracket	1	
18-21	092501	Bolt	2	M6X16(SM)

19. BSA-500JMQ
STACK VALVE



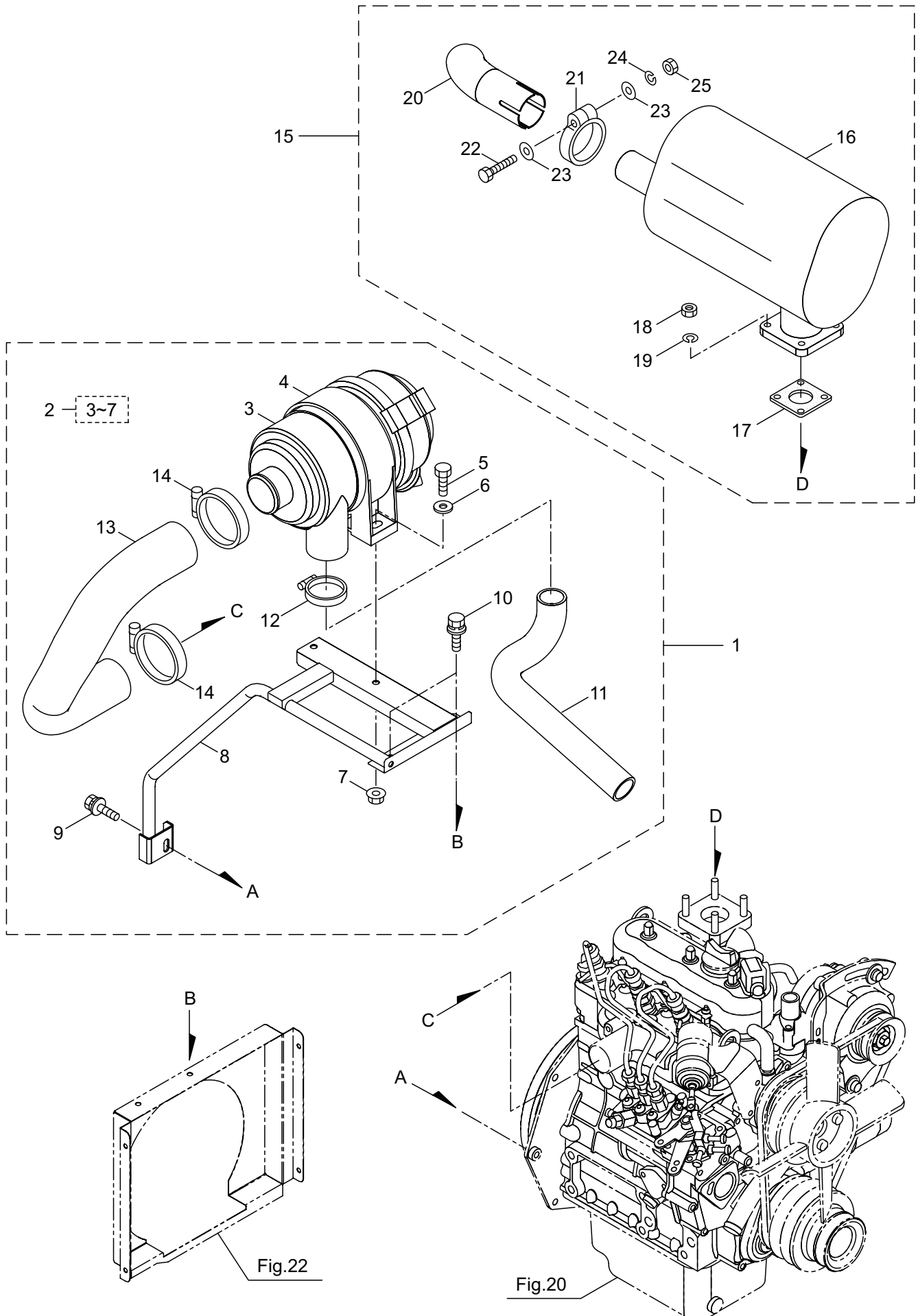
Ref. No.	Parts No.	Parts Name	Q'ty	Remarks
19-1	865776	Stack Valve Ass'y	1	Incl.2-9
19-2	865777	Stack Valve	1	
19-3	865778	Adapter	1	BP-3/8X1/4
19-4	865779	Adapter	2	BP-3/8
19-5	148568	Nipple	5	G3/8XG1/8,3.0
19-6	866139	Lever	1	
19-7	141829	O-Ring	5	P14
19-8	865991	Lever	1	
19-9	865992	Lever	1	
19-10	865783	Pipe	1	
19-11	126763	Bolt	4	M8X20(SM)
19-12	126201	Nut	4	M8
19-13	128213	Bolt	1	M8X25
19-14	126990	Nut	1	M8
19-15	865786	Bracket	1	
19-16	126763	Bolt	2	M8X20(SM)
19-17	126201	Nut	2	M8
19-18	817014	Bolt	3	M8X30(SM)
19-19	126201	Nut	3	M8

20. BSA-500JMQ
ENGINE



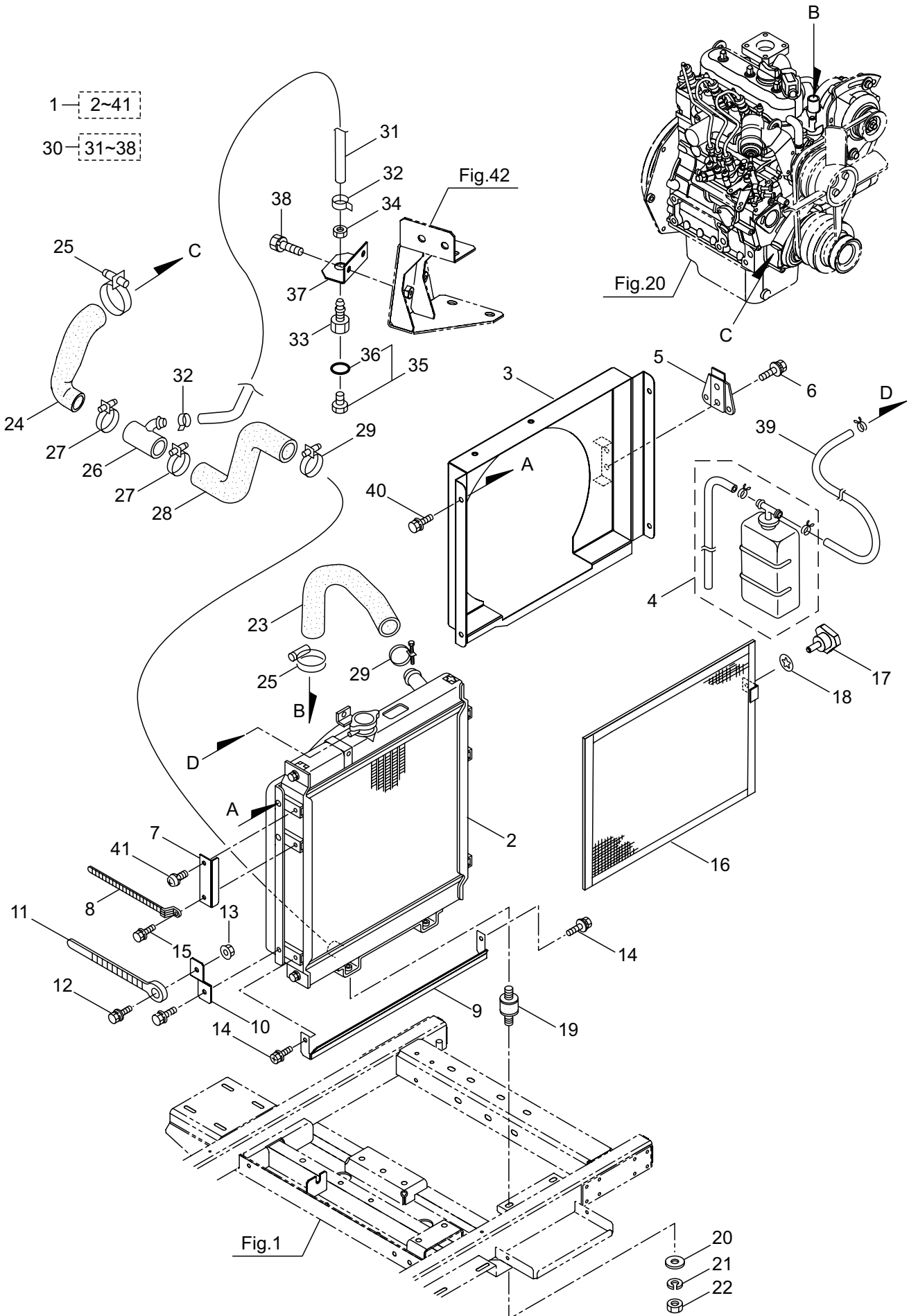
Ref. No.	Parts No.	Parts Name	Q'ty	Remarks
20-1	869827	Engine	1	D722-E4B-SSMR-1
20-2	864822	Bracket	1	
20-3	188795	Bolt	13	M10X1.25X25-8.8
20-4	864826	Bracket	1	
20-5	188795	Bolt	9	M10X1.25X25-8.8
20-6	864830	Stay	1	
20-7	092513	Bolt	1	M8X16
20-8	817003	Bolt	1	M6X12
20-9	161900	Spring	1	
20-10	864857	V-Belt	2	
20-11	687131	Tension Pulley Ass'y	1	Incl.12-16
20-12	687132	Tension Pulley	1	
20-13	687133	Bearing	2	6300VV
20-14	012380	C-Sharped Snap Ring	2	#35
20-15	080310	Bolt	1	M10X55X26
20-16	687134	Collar	1	10.5X17X14L
20-17	687135	Tensioner	1	
20-18	126231	Spring Washer	1	M10
20-19	127433	Nut	1	M10
20-20	864858	Stay	1	
20-21	089385	Bolt	2	M10X30-7T
20-22	126231	Spring Washer	2	M10
20-23	064342	Washer	2	10.5X25XT3.2

21. BSA-500JMQ
 AIR CREAMER, MUFFLER



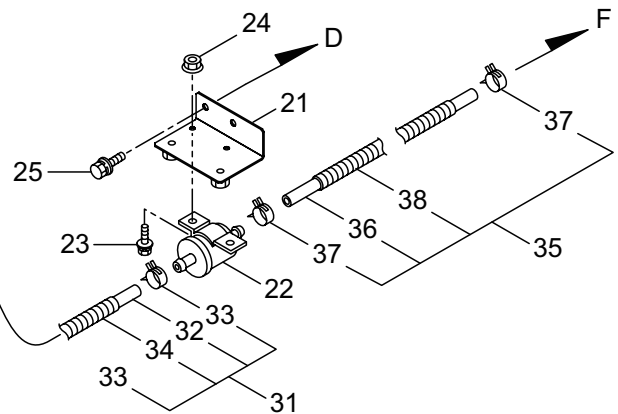
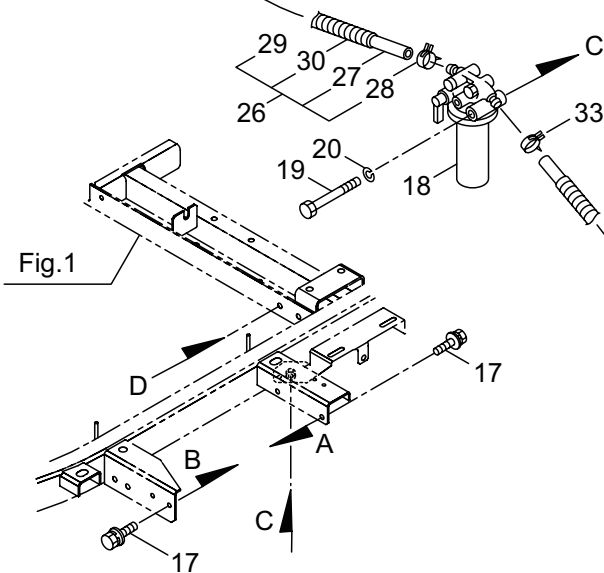
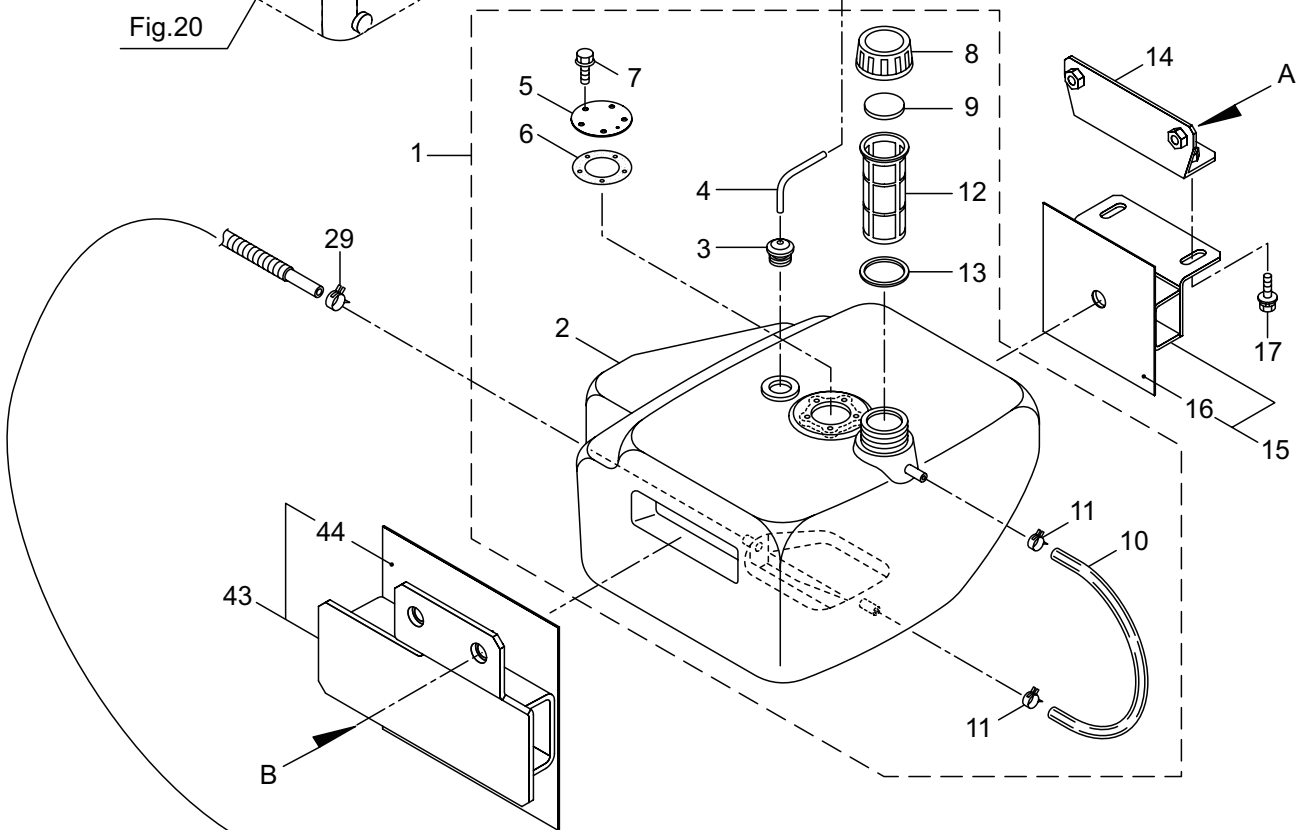
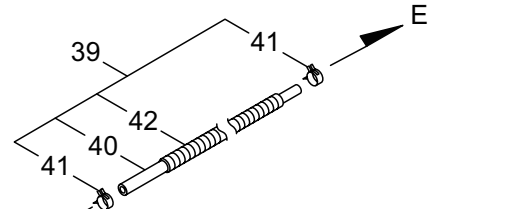
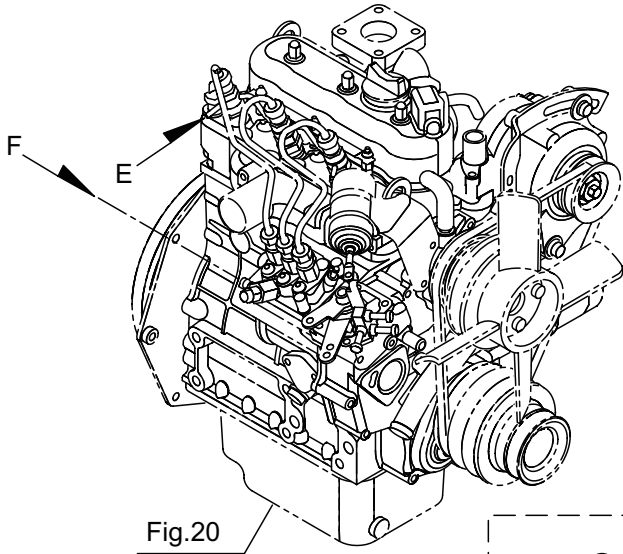
Ref. No.	Parts No.	Parts Name	Q'ty	Remarks
21-1	864831	Air Cleaner Ass'y	1	Incl.2-14
21-2	864832	Air Cleaner Ass'y	1	Incl.3-7
21-3	199110	Air Cleaner	1	
21-4	199111	Air Cleaner Band	1	
21-5	128213	Bolt	2	M8X25
21-6	127216	Washer	2	M8
21-7	126201	Nut	2	M8
21-8	864833	Pipe Ass'y	1	
21-9	817007	Bolt	1	M8X16(SM)
21-10	092572	Bolt	2	M6X12(SM)
21-11	864839	Inlet Pipe	1	
21-12	165018	Pipe Band	1	
21-13	864840	Inlet Pipe	1	
21-14	067225	Pipe Band	2	
21-15	864841	Muffler Ass'y	1	Incl.16-25
21-16	862008	Muffler	1	
21-17	196754	Muffler Packing	1	
21-18	126990	Nut	4	M8
21-19	126232	Spring Washer	4	M8
21-20	867455	Tail Pipe	1	
21-21	168577	Pipe Band	1	
21-22	080178	Bolt	1	M8X60
21-23	127216	Washer	2	M8
21-24	126232	Spring Washer	1	M8
21-25	126990	Nut	1	M8

22. BSA-500JMQ
RADIATOR



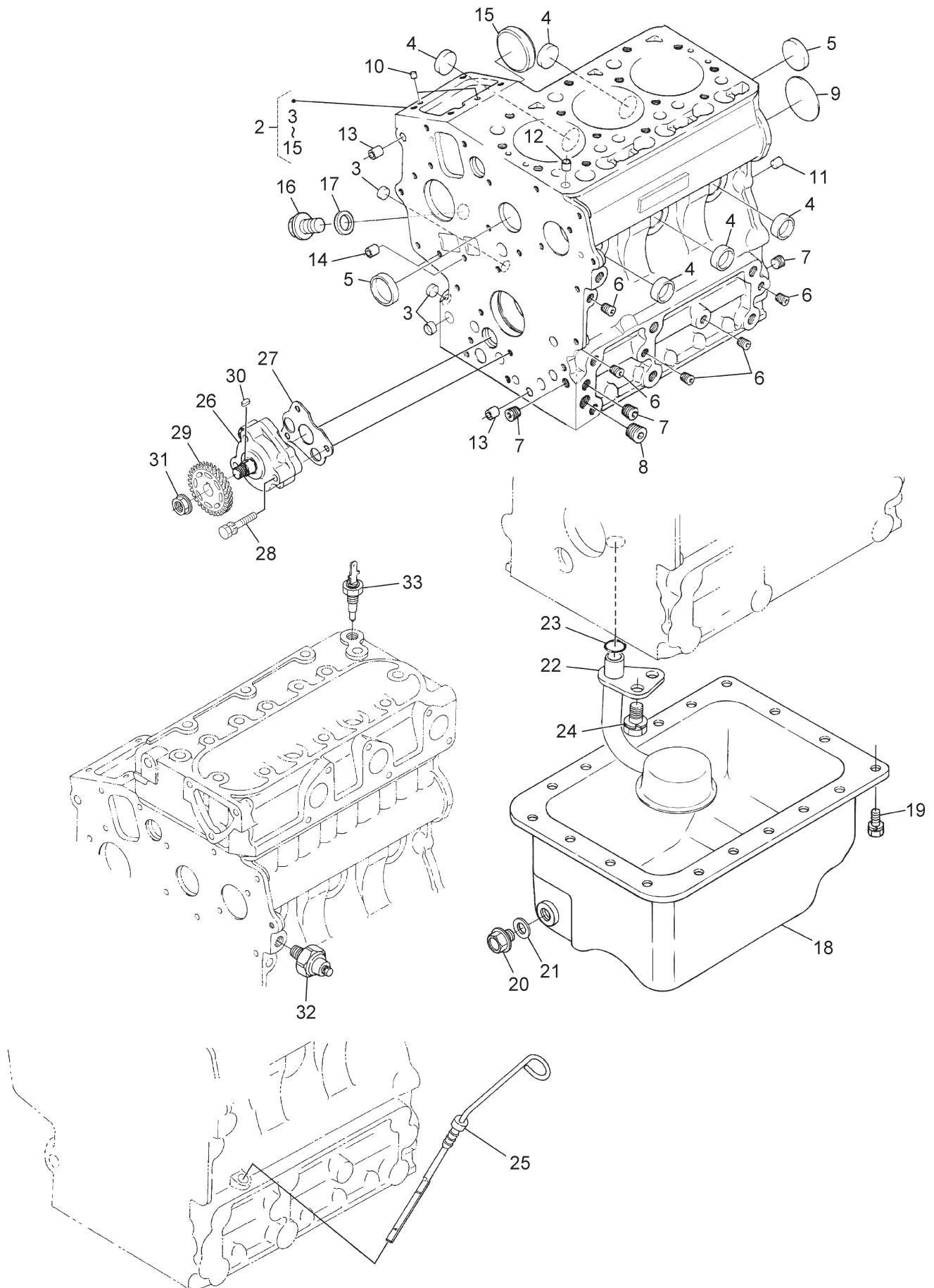
Ref. No.	Parts No.	Parts Name	Q'ty	Remarks
22-1	864843	Radiator Ass'y	1	Incl.2-41
22-2	868463	Radiator	1	
22-3	864844	Fan Shroud	1	
22-4	685544	Reserve Tank	1	
22-5	171112	Reserve Tank Stay	1	
22-6	817004	Bolt	2	M6X12(SM)
22-7	864847	Stay	1	
22-8	195474	Clamp Band	1	
22-9	864849	Guide Plate	1	
22-10	864850	Stay	1	
22-11	683188	Clamp Band	1	
22-12	127301	Bolt	1	M6X20(SM)
22-13	126756	Nut	1	M6
22-14	817004	Bolt	2	M6X12(SM)
22-15	127301	Bolt	1	M6X20(SM)
22-16	864851	Radiator Net	1	
22-17	182860	Knob Bolt	1	M6X10
22-18	864699	Washer	1	
22-19	056874	Buffer	2	20-M10X20X15
22-20	013849	Washer	2	M10
22-21	126231	Spring Washer	2	M10
22-22	081046	Nut	2	M10X1.25
22-23	864852	Radiator Hose	1	
22-24	864853	Radiator Hose	1	
22-25	161872	Hose Band	2	
22-26	163917	Pipe Ass'y	1	
22-27	659139	Hose Band	2	
22-28	864854	Radiator Hose	1	
22-29	196742	Hose Band	2	
22-30	864855	Drain Ass'y	1	Incl.31-38
22-31	151248	Hose	1	8X13.5X220
22-32	043972	Hose Band	2	
22-33	149644	Hose Coupling	1	PF1/4XPF1/4
22-34	059774	Nut	1	G1/4
22-35	091376	Plug Ass'y	1	G1/4 Incl.36
22-36	023170	O-Ring	1	P12.5
22-37	864856	Stay	1	
22-38	817003	Bolt	2	M6X12
22-39	866104	Reserve Tank Hose	1	7X12X670L
22-40	817025	Bolt	4	M6X10(SM)
22-41	126760	Screw	1	M6X10

23. BSA-500JMQ
 FUEL TANK, FUEL PIPING



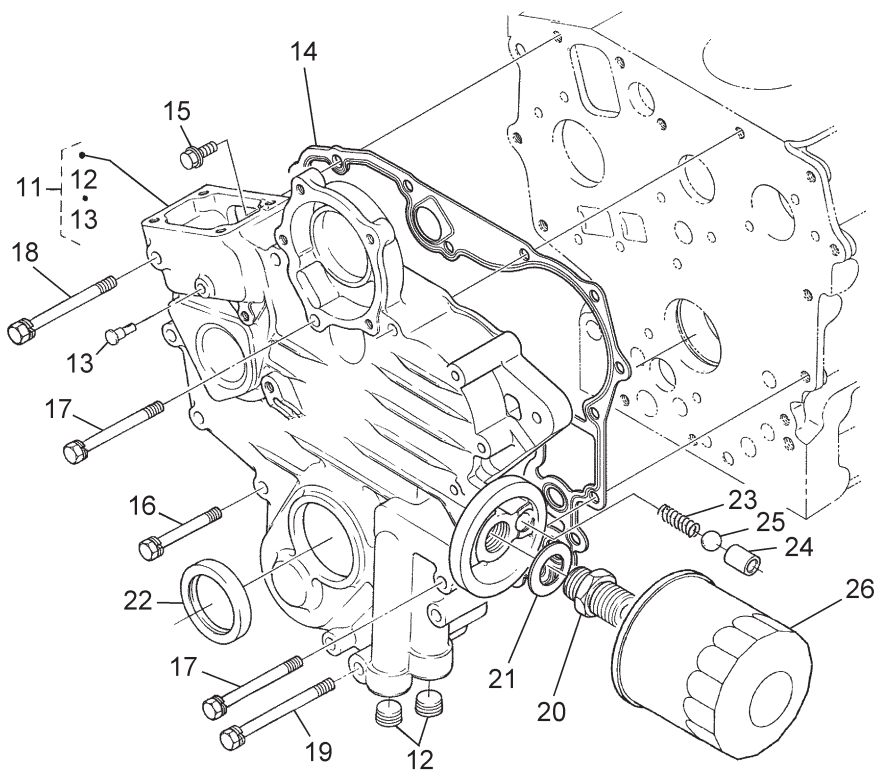
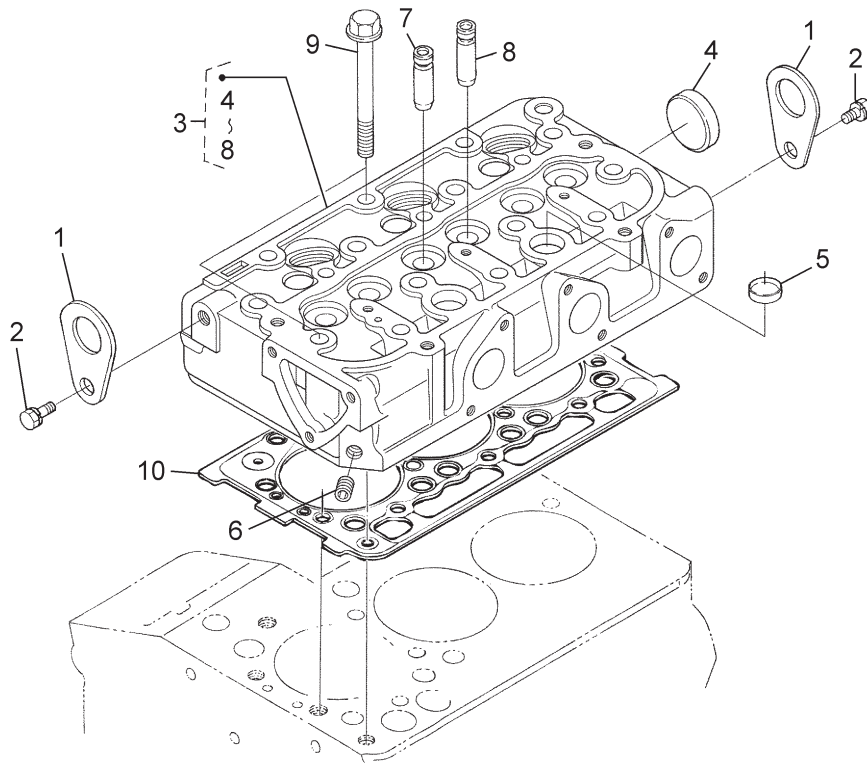
Ref. No.	Parts No.	Parts Name	Q'ty	Remarks
23-1	865966	Fuel Tank Ass'y	1	Incl.2-13
23-2	865959	Fuel Tank	1	
23-3	687514	Grommet	1	
23-4	681099	Pipe	1	
23-5	864642	Plate	1	
23-6	069776	Packing	1	
23-7	092511	Bolt	5	M5X12(W)
23-8	056219	Cap	1	
23-9	682459	Packing	1	
23-10	681247	Vinyl Hose	1	7X11X305L
23-11	127241	Hose Band	2	
23-12	881868	Strainer	1	
23-13	881870	Packing	1	37.5X45XT2
23-14	865484	Stay	1	
23-15	864646	Bracket	1	Incl.16
23-16	681408	Rubber Plate	1	
23-17	126763	Bolt	6	M8X20(SM)
23-18	196770	Filter Ass'y	1	
23-19	080179	Bolt	1	M8X65X22
23-20	126232	Spring Washer	1	M8
23-21	867800	Stay	1	
23-22	684592	Fuel Pump	1	
23-23	092501	Bolt	2	M6X16(SM)
23-24	126756	Nut	2	M6
23-25	096036	Bolt	2	M8X25(SM)
23-26	864651	Fuel Hose Ass'y	1	Incl.27-30
23-27	068490	Hose	1	8X13.5X400L
23-28	043972	Hose Band	1	
23-29	188773	Hose Band	1	
23-30	864652	Tube	1	15X19.5X350L
23-31	865481	Fuel Hose Ass'y	1	Incl.32-34
23-32	068490	Hose	1	8X13.5X400L
23-33	043972	Hose Band	2	
23-34	864652	Tube	1	15X19.5X350L
23-35	864653	Fuel Hose Ass'y	1	Incl.36-38
23-36	864654	Hose	1	8X13.5X1050L
23-37	043972	Hose Band	2	
23-38	863937	Tube	1	15X19.5X1000L
23-39	864655	Fuel Hose Ass'y	1	Incl.40-42
23-40	163125	Hose	1	4.5X9.5X1550L
23-41	112530	Hose Band	2	
23-42	864656	Tube	1	10X1450L
23-43	864643	Bracket	1	Incl.44
23-44	681408	Rubber Plate	1	

24. BSA-500JMQ
ENGINE (Crankcase, Oil Pan, Oil Pump)



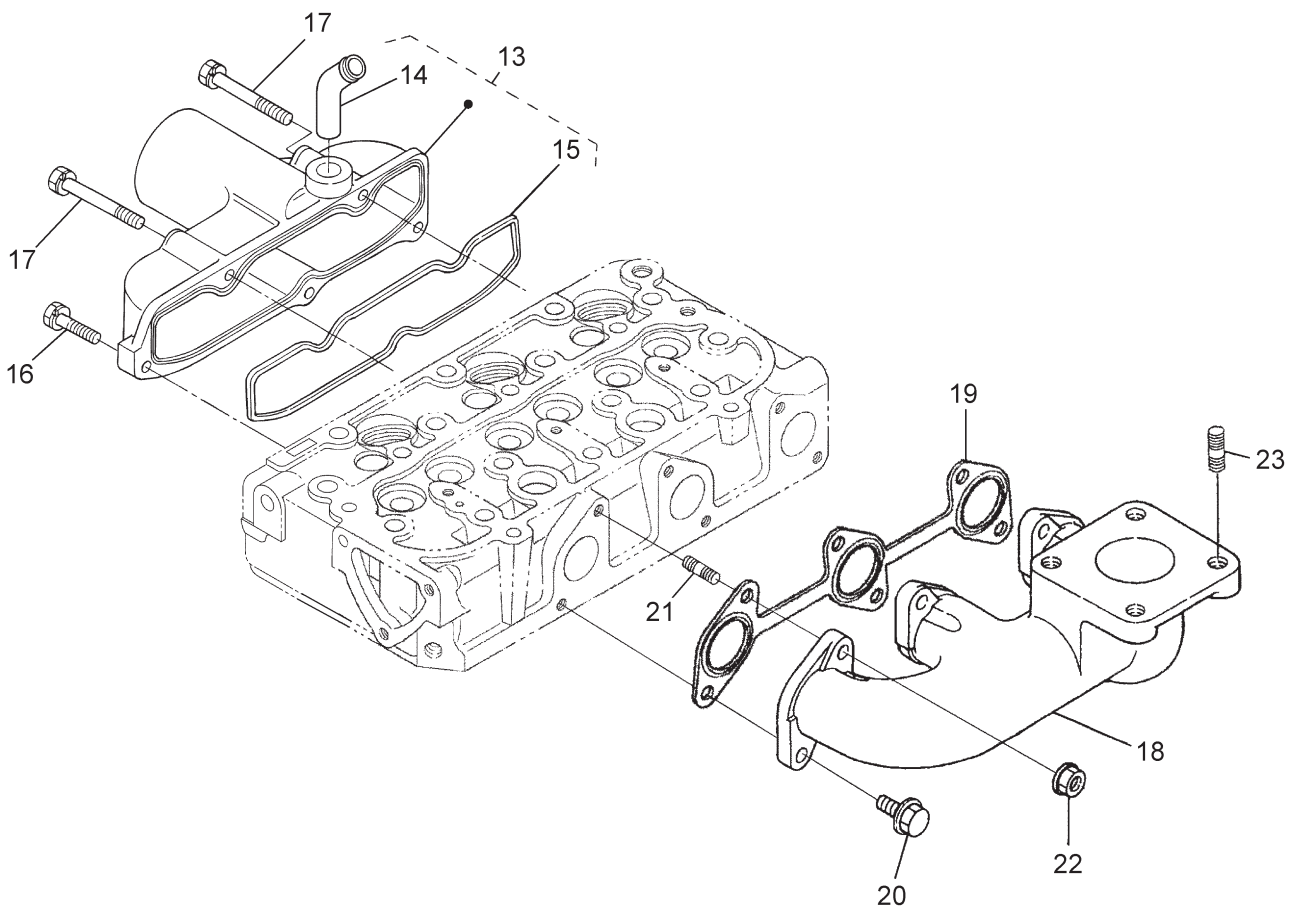
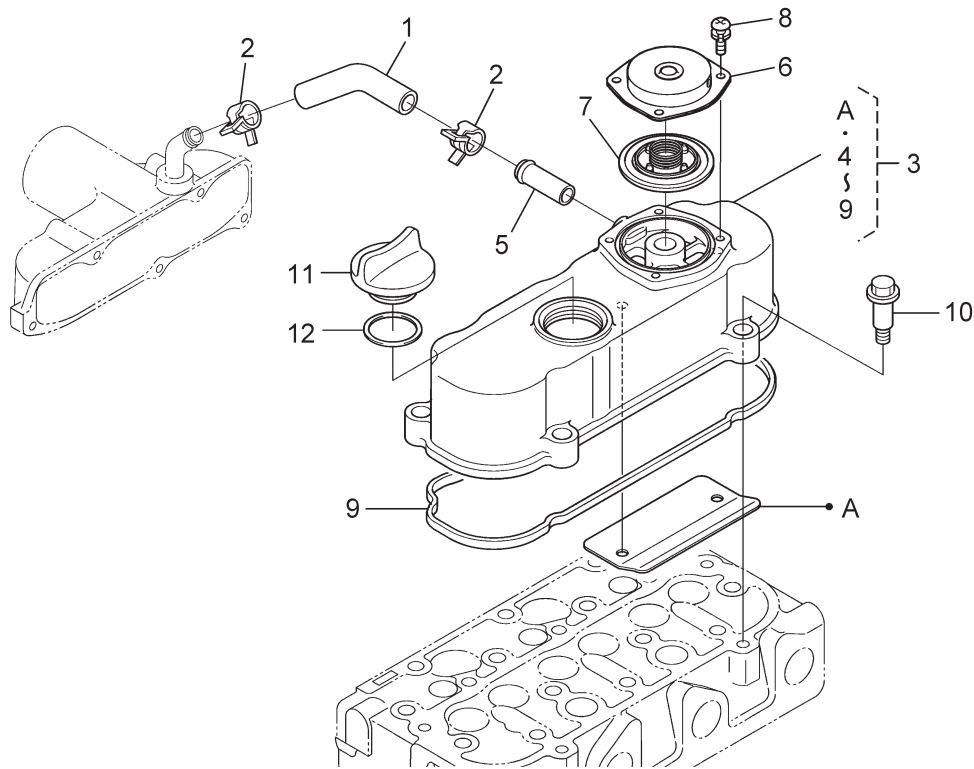
Ref. No.	Parts No.	Parts Name	Q'ty	Remarks
24-1	869827	Engine	1	D722-E4B-SSMR-1
24-2	428045	Crankcase Comp.	1	Incl.3-15
24-3	577486	Sealing Plug 1	3	
24-4	577487	Sealing Plug 2	5	
24-5	579674	Sealing Plug 2	2	
24-6	995847	Plug	5	
24-7	579679	Plug	3	
24-8	575955	Plug	1	
24-9	575950	Expansion Plug	1	
24-10	579682	Pin	2	
24-11	977029	Pin	2	
24-12	994812	Pipe Pin	1	
24-13	577490	Pipe Pin	2	
24-14	577490	Pipe Pin	2	
24-15	592933	Fuel Cam Shaft Cover	1	
24-16	642971	Plug	1	
24-17	407445	Washer	1	
24-18	416922	Oil Pan	1	
24-19	976997	Bolt	18	
24-20	997646	Drain Plug	1	
24-21	635166	Gasket	1	
24-22	577499	Oil Filter 1	1	
24-23	633906	O-Ring	1	
24-24	579340	Bolt	1	
24-25	647111	Oil Gauge	1	
24-26	642987	Pump Ass'y	1	
24-27	577494	Oil Pump Packing	1	
24-28	577495	Bolt	3	
24-29	428051	Gear	1	
24-30	975907	Key	1	
24-31	408102	Nut	1	
24-32	994835	Oil Switch	1	
24-33	577505	Thermostat Switch Ass'y	1	

25. BSA-500JMQ
ENGINE (Cylinder Head, Gear Case, Oil Filter)



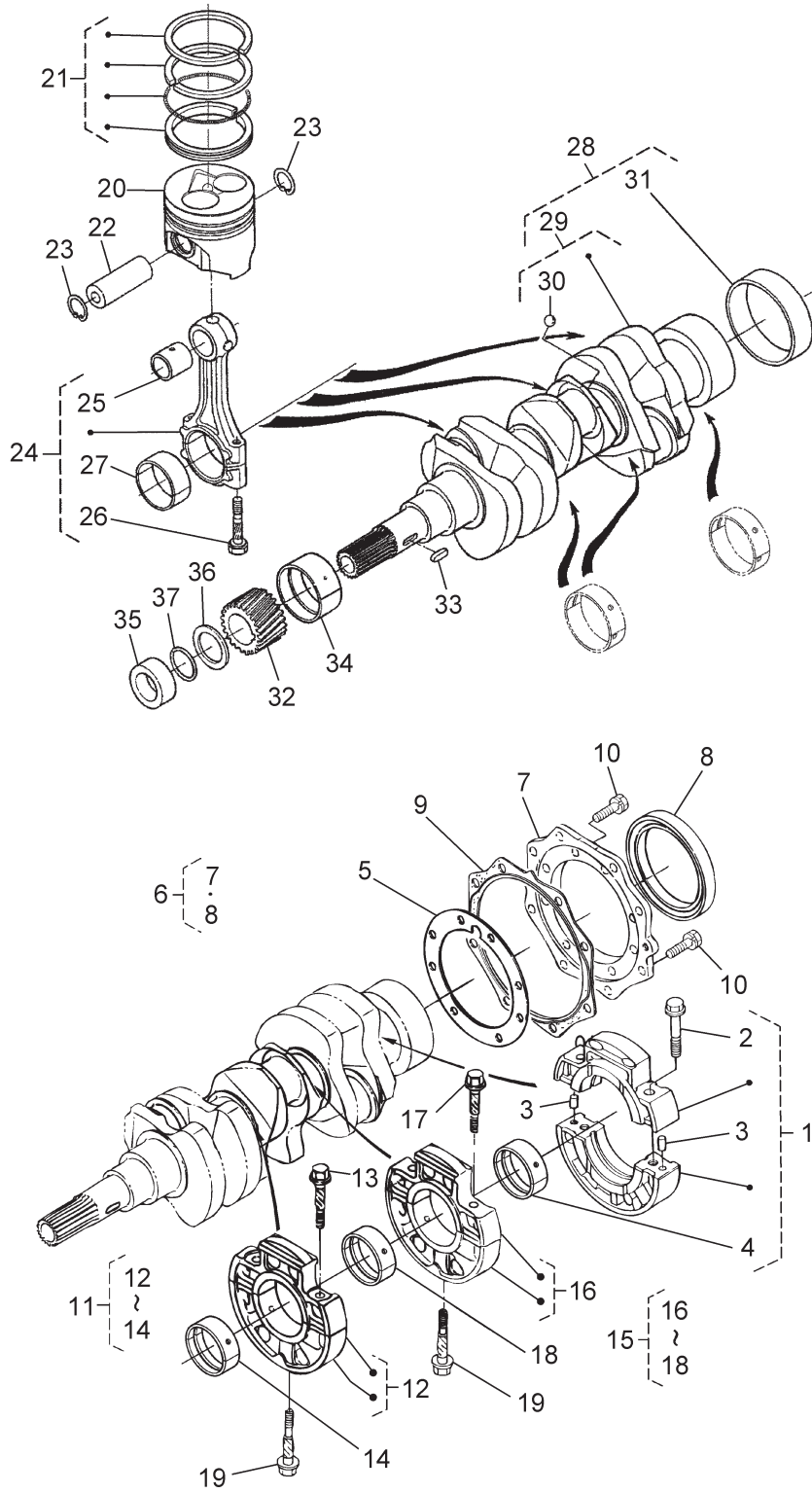
Ref. No.	Parts No.	Parts Name	Q'ty	Remarks
25-1	994836	Engine Hook	2	
25-2	639685	Bolt	2	
25-3	428046	Cylinder Head Comp.	1	Incl.4-8
25-4	994806	Sealing Plug	1	
25-5	994838	Sealing Plug	2	
25-6	995847	Plug	1	
25-7	577503	Inlet Valve Guide	3	
25-8	577504	Exhaust Valve Guide	3	
25-9	577506	Head Bolt	14	
25-10	428047	Gasket	1	
25-11	413005	Gear Case Comp.	1	Incl.12,13
25-12	575955	Plug	2	
25-13	577509	Start Spring Pin	1	
25-14	413006	Gasket	1	
25-15	580592	Bolt	1	
25-16	420852	Bolt	10	
25-17	577512	Bolt	3	
25-18	408098	Bolt	1	
25-19	993459	Bolt	1	
25-20	994931	Joint Pipe	1	
25-21	577513	Washer	1	
25-22	428048	Oil Seal	1	
25-23	592942	Spring	1	
25-24	577517	Valve Sheet	1	
25-25	635933	Ball	1	
25-26	642984	Filter	1	

26. BSA-500JMQ
ENGINE (Head Cover, Manifold)



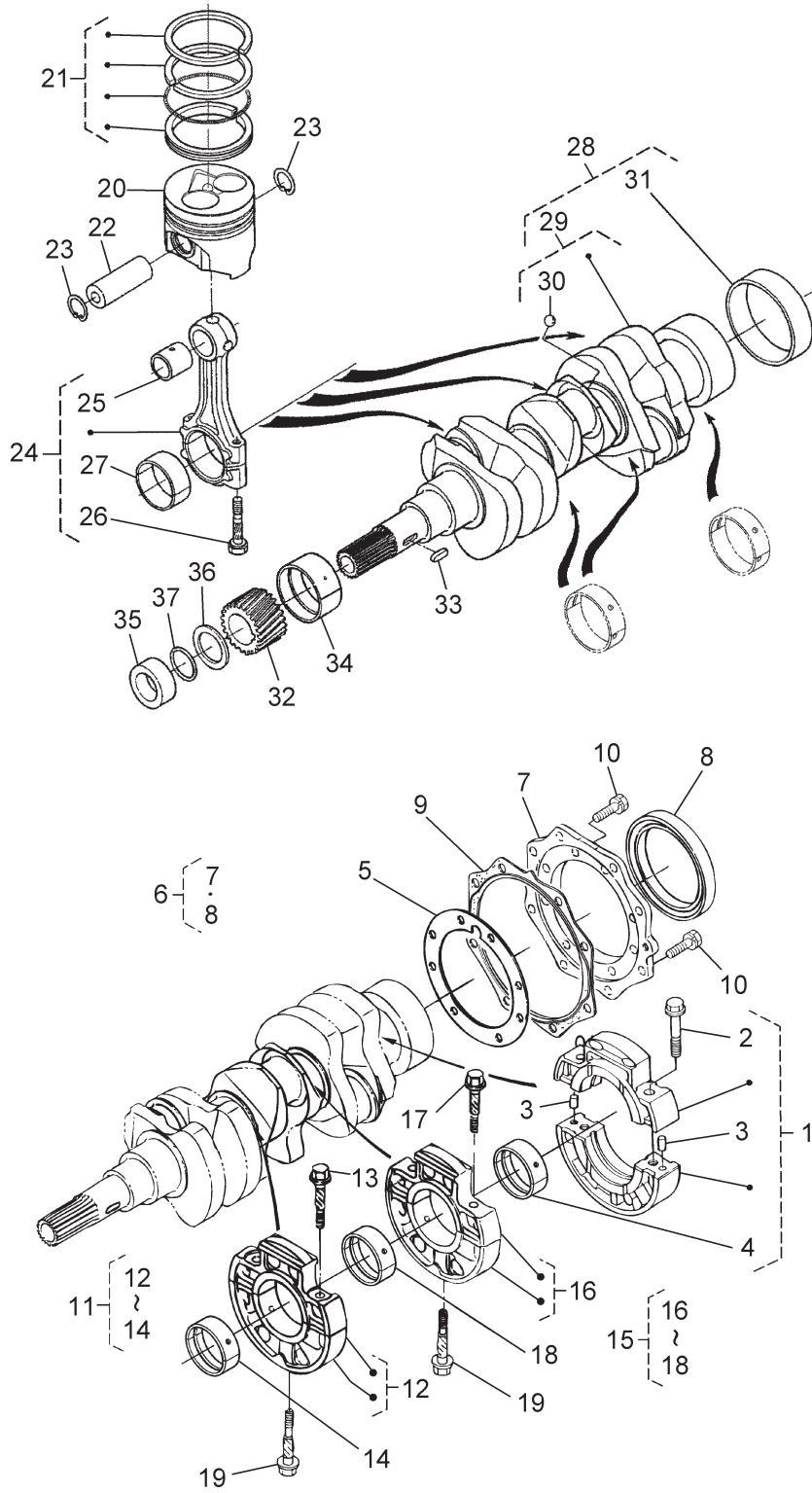
Ref. No.	Parts No.	Parts Name	Q'ty	Remarks	
26-1	428049	Tube	1	Incl.A,4-9	
26-2	404698	Clip	2		
26-3	428050	Head Cover Ass'y	1		
26-4	404695	Head Cover	1		
26-5	592760	Pipe	1		
26-6	405372	Cover	1		
26-7	405373	Valve Comp.	1		
26-8	977022	Screw	4		
26-9	404694	Gasket	1		
26-10	404696	Bolt	4		
26-11	642983	Plug	1		Incl.14,15
26-12	416924	O-Ring	1		
26-13	428071	Manifold Ass'y	1		
26-14	428072	Pipe	1		
26-15	592944	Inlet Manifold Packing	1		
26-16	580592	Bolt	2		
26-17	579727	Bolt	3		
26-18	643039	Exhaust Manifold	1		
26-19	404771	Gasket	1		
26-20	428073	Bolt	3		
26-21	975866	Stud Bolt	3		
26-22	592947	Nut	3		
26-23	975869	Stud Bolt M8X22	4		

27. BSA-500JMQ
 ENGINE (Main Bearing Case, Piston, Crankshaft)



Ref. No.	Parts No.	Parts Name	Q'ty	Remarks
27-1	420854	Bearing Case Ass'y	1	Incl.2-4
27-2	632169	Bearing Case Bolt	2	
27-3	975899	Pin	2	
27-4	416926	Crankshaft Metal 2	1	STD/SET
27-4	420855	Crankshaft Metal 202	1	-0.20mm/SET
27-4	420856	Crankshaft Metal 204	1	-0.40mm/SET
27-5	577523	Bearing Case Packing	1	
27-6	404702	Cover Ass'y	1	Incl.7,8
27-7	404701	Bearing Case Cover	1	
27-8	575997	Oil Seal	1	
27-9	413008	Gasket	1	
27-10	579616	Bolt	16	
27-11	416927	Bearing Case Ass'y	1	Incl.12-14
27-12	592957	Main Bearing Case Ass'y	1	
27-13	577522	Bearing Case Bolt 1	2	
27-14	416928	Crankshaft Metal 3	1	STD/SET
27-14	420857	Crankshaft Metal 302	1	-0.20mm/SET
27-14	420858	Crankshaft Metal 304	1	-0.40mm/SET
27-15	416929	Bearing Case Ass'y	1	Incl.16-18
27-16	592958	Main Bearing Case Ass'y	1	
27-17	577522	Bearing Case Bolt 1	2	
27-18	416928	Crankshaft Metal 3	1	STD/SET
27-18	420857	Crankshaft Metal 302	1	-0.20mm/SET
27-18	420858	Crankshaft Metal 304	1	-0.40mm/SET
27-19	577529	Bearing Case Bolt 2	2	
27-20	428053	Piston	3	STD
27-20	428054	Piston(025)	3	+0.25mm
27-21	428055	Piston Ring Ass'y	3	STD
27-21	428056	Piston Ring Ass'y(025)	3	+0.25mm
27-22	642994	Piston Pin	3	
27-23	994881	Piston Pin Cir Clip	6	
27-24	420859	Connecting Rod Ass'y	3	Incl.25-27
27-25	647115	Bush	3	
27-26	577586	Connecting Rod Bolt	6	
27-27	420860	Crank Pin Metal	3	STD/SET
27-27	416936	Crank Pin Metal 02	3	-0.20mm/SET
27-27	416937	Crank Pin Metal 04	3	-0.40mm/SET
27-28	413014	Crankshaft Ass'y	1	Incl.29-31
27-29	413015	Crankshaft Comp.	1	Incl.30
27-30	577591	Ball	3	
27-31	993495	Crankshaft Sleeve	1	
27-32	593066	Gear	1	
27-33	975909	Key	1	
27-34	416938	Crankshaft Metal	1	STD/SET
27-34	416939	Crankshaft Metal	1	-0.20mm/SET

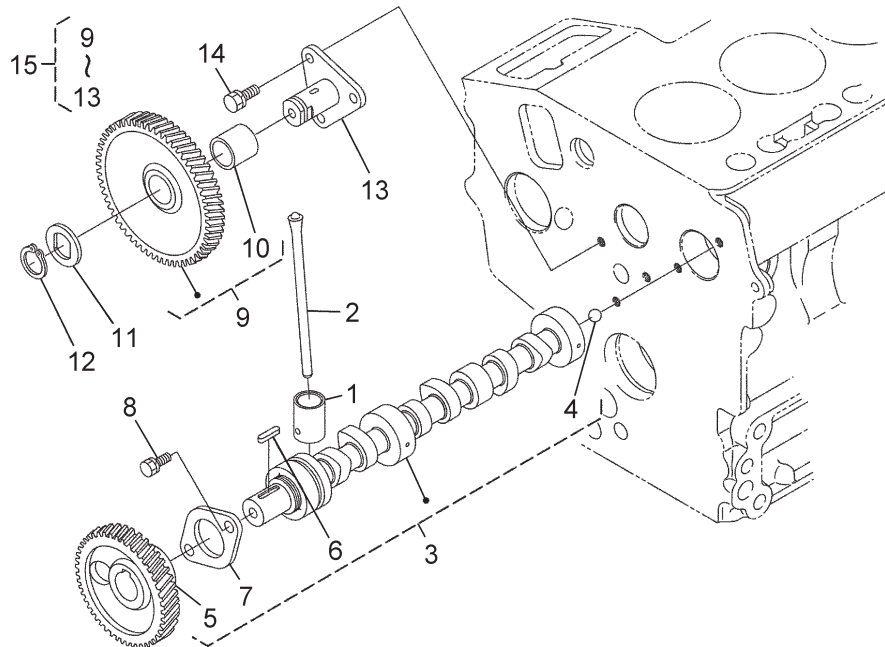
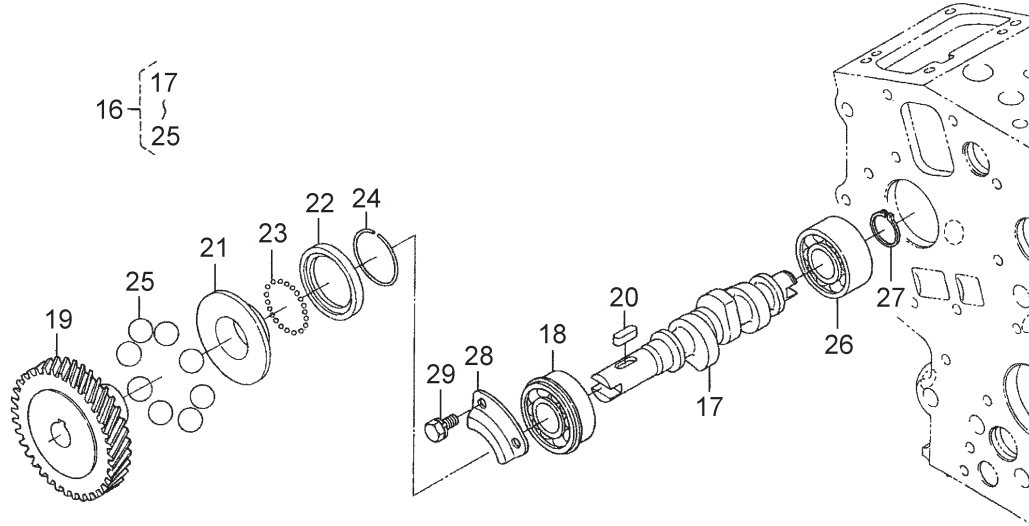
27. BSA-500JMQ
ENGINE (Main Bearing Case, Piston, Crankshaft)



Ref. No.	Parts No.	Parts Name	Q'ty	Remarks
27-34	416940	Crankshaft Metal	1	-0.40mm/SET
27-35	577605	Crankshaft Collar	1	
27-36	577606	Crankshaft Oil Slinger	1	
27-37	642997	O-Ring	1	

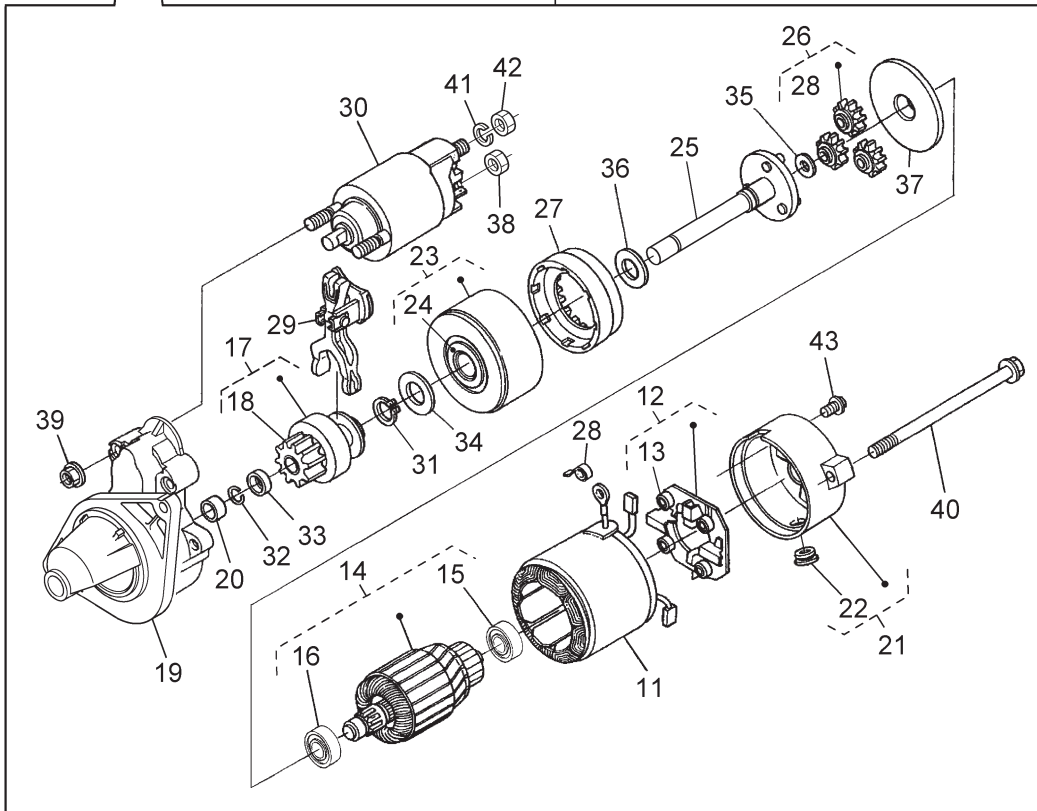
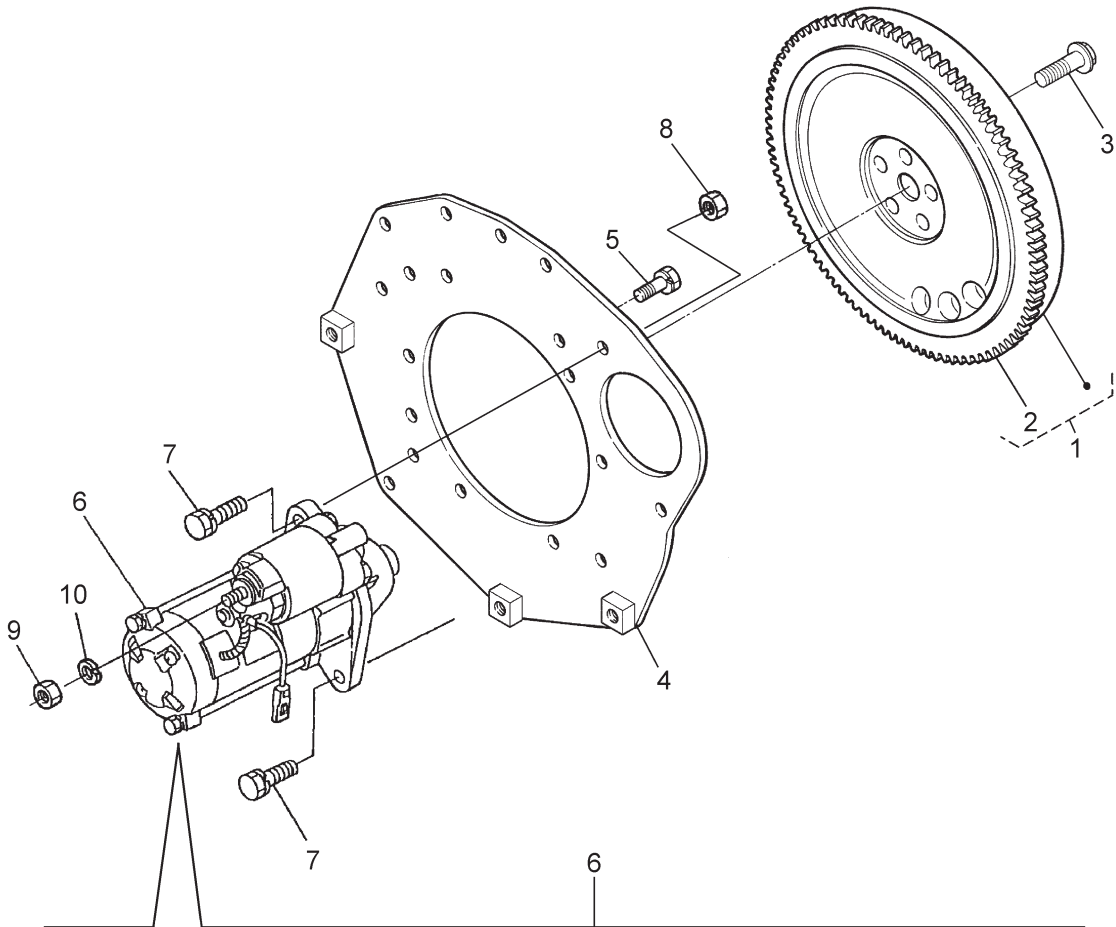
28. BSA-500JMQ

ENGINE (Cam Shaft, Idle Shaft, Fuel Cam Shaft, Governer Shaft)



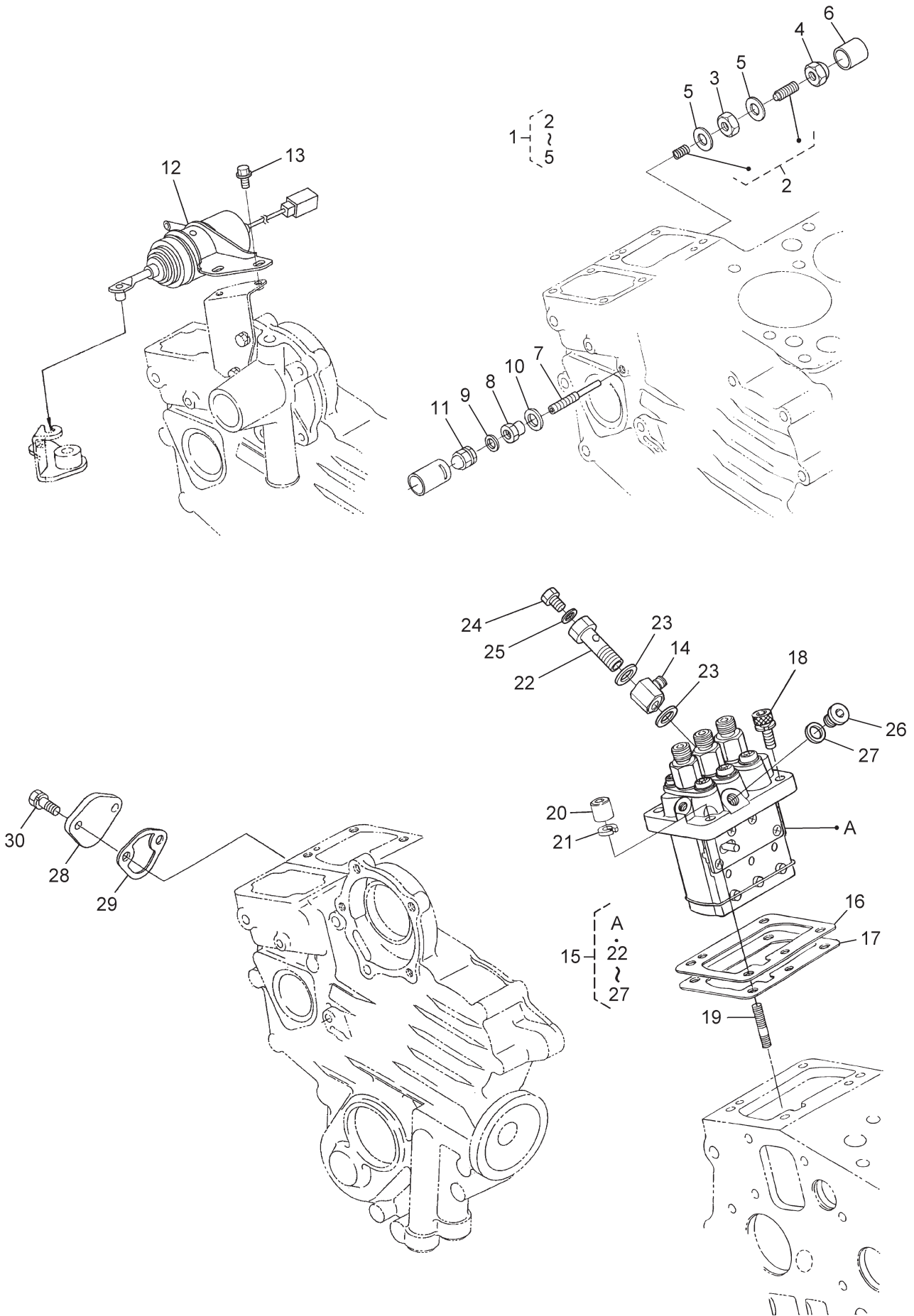
Ref. No.	Parts No.	Parts Name	Q'ty	Remarks
28-1	647113	Tappet	6	
28-2	592959	Push Rod	6	
28-3	428052	Cam Shaft Ass'y	1	Incl.4-7
28-4	579821	Ball	1	
28-5	577571	Cam Gear	1	
28-6	579804	Feather Key	1	
28-7	577573	Cam Shaft Stopper	1	
28-8	976997	Bolt	2	
28-9	416931	Idle Gear Comp.	1	Incl.10
28-10	416932	Bush	1	
28-11	577576	Idle Gear Collar 2	1	
28-12	636050	Idle Gear Cir Clip	1	
28-13	577578	Idle Gear Shaft	1	
28-14	630770	Bolt	3	
28-15	416933	Idle Gear Service Ass'y	1	OPTION Incl.9-13
28-16	428059	Cam Shaft Ass'y	1	Incl.17-25
28-17	647121	Fuel Cam Shaft	1	
28-18	577633	Bearing	1	
28-19	428060	Injection Pump Gear	1	
28-20	975909	Key	1	
28-21	404754	Sleeve	1	
28-22	414689	Governer Ball Case	1	
28-23	577637	Ball	32	
28-24	994992	Governer Sleeve Cir Clip	1	
28-25	975918	Ball	8	
28-26	647122	Bearing	1	
28-27	577639	Shaft Cir Clip	1	
28-28	577640	Fuel Cam Shaft Stopper	1	
28-29	976997	Bolt	2	

29. BSA-500JMQ
ENGINE (Fly Wheel, Starter)



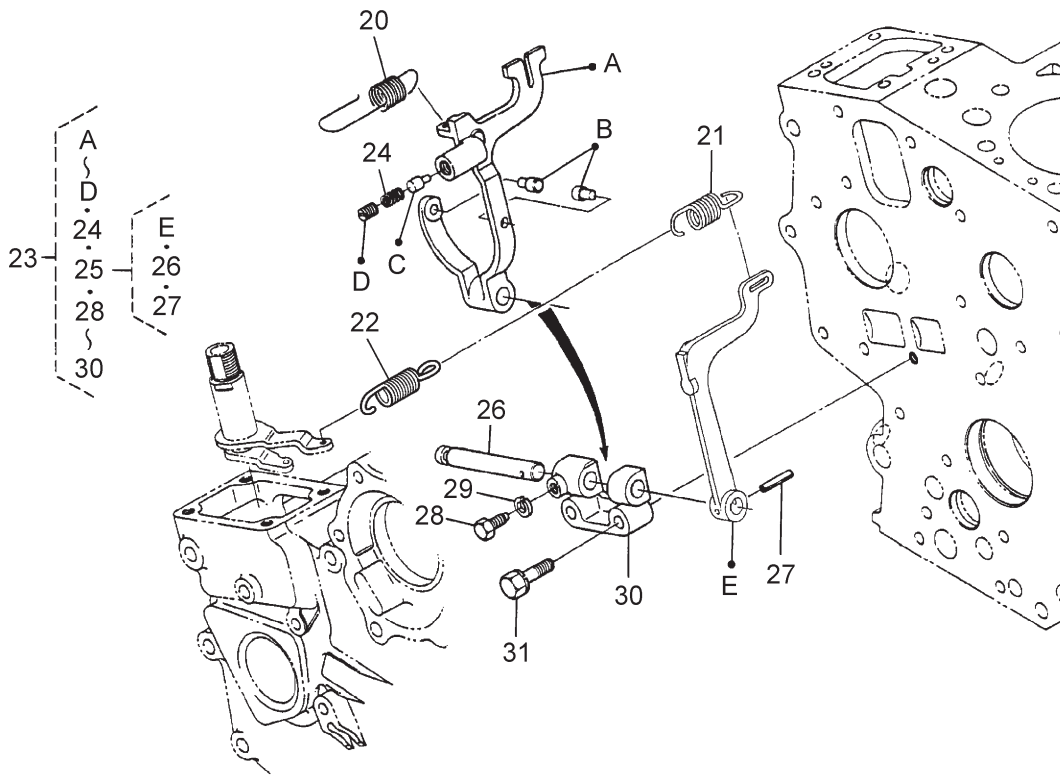
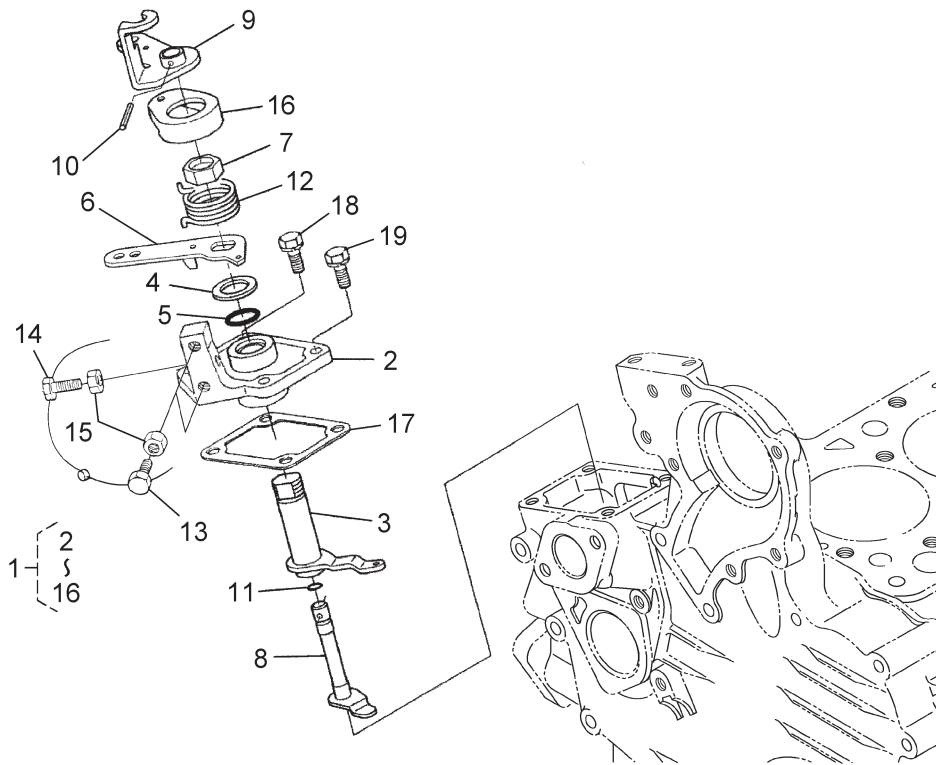
Ref. No.	Parts No.	Parts Name	Q'ty	Remarks
29-1	428057	Fly Wheel Comp.	1	Incl.2
29-2	428058	Gear	1	
29-3	577611	Fly Wheel Bolt	5	
29-4	647118	Rear End Plate	1	
29-5	647119	Bolt	10	
29-6	643021	Starter Ass'y	1	Incl.11-43
29-7	973304	Bolt M8X30	2	
29-8	975880	Nut M8	2	
29-9	975880	Nut M8	1	
29-10	638476	Spring Washer	1	
29-11	635440	Yoke Ass'y	1	
29-12	635441	Holder Ass'y	1	Incl.13
29-13	420865	Spring	4	
29-14	635442	Armature Ass'y	1	Incl.15,16
29-15	580029	Bearing	1	
29-16	586242	Bearing	1	
29-17	635443	Clutch Sub Ass'y	1	Incl.18
29-18	413027	Pinion Gear	1	
29-19	643022	Housing Ass'y	1	
29-20	635445	Bearing	1	
29-21	635446	Frame Ass'y	1	Incl.22
29-22	635447	Cover	1	
29-23	635448	Bearing Sub Ass'y	1	Incl.24
29-24	420866	Bearing	1	
29-25	635449	Shaft Sub Ass'y	1	
29-26	635450	Gear 1	3	Incl.28
29-27	635451	Gear 2	1	
29-28	580036	Brush Spring	12	
29-29	635452	Lever	1	
29-30	626593	Magnetic Switch	1	
29-31	635453	Snap Ring	1	
29-32	626595	Snap Ring	1	
29-33	635454	Pinion Stop Collar	1	
29-34	635455	Washer 1	1	
29-35	635456	Washer 2	1	
29-36	635457	Washer 3	1	
29-37	635458	Plate	1	
29-38	635459	Nut	1	
29-39	626597	Nut	2	
29-40	598249	Bolt	2	
29-41	635460	Spring Washer	1	
29-42	580048	Nut	1	
29-43	635461	Screw	2	

30. BSA-500JMQ
ENGINE (Idling Apparatus, Solenoid, Injection Pump)



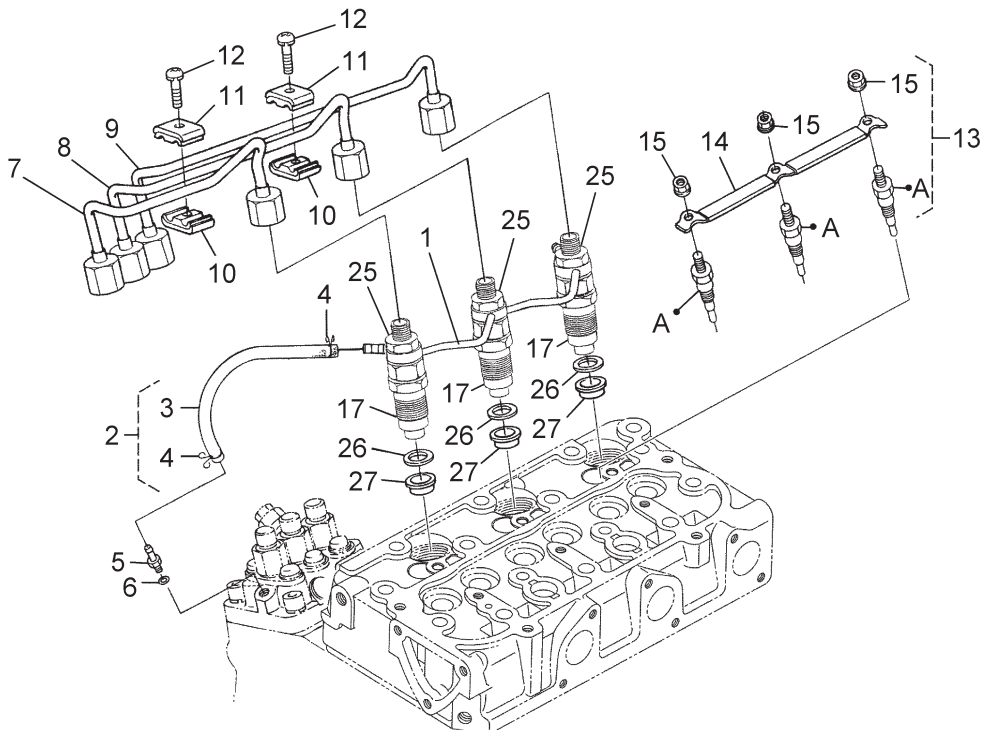
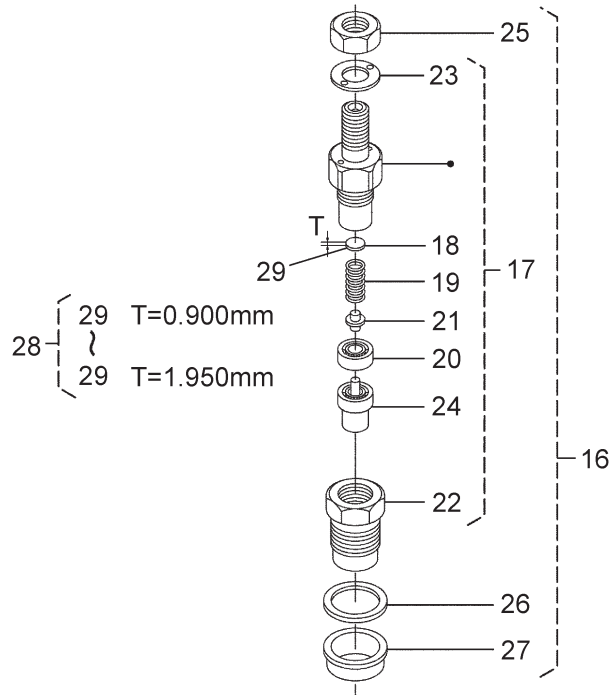
Ref. No.	Parts No.	Parts Name	Q'ty	Remarks
30-1	577643	Idling Apparatus Ass'y	1	Incl.2-5
30-2	577644	Adjusting Bolt Ass'y	1	
30-3	994946	Nut	1	
30-4	577645	Nut	1	
30-5	994948	Packing	2	
30-6	577646	Cap	1	
30-7	647123	Bolt	1	
30-8	404755	Nut	1	
30-9	977264	Packing	1	
30-10	642999	Gasket	1	
30-11	579899	Nut	1	
30-12	407455	Solenoid	1	
30-13	630770	Bolt	2	
30-14	577624	Joint	1	
30-15	420862	Injection Pump Ass'y	1	Incl.A,22-27
30-16	413018	Shim(INJ.Pump,0.175)	1	0.175mm
30-16	592859	Shim(INJ.Pump,0.20)	1	0.200mm
30-16	592860	Shim(INJ.Pump,0.25)	1	0.250mm
30-17	592861	Shim(INJ.Pump,0.30)	1	0.300mm
30-17	420863	Shim(INJ.Pump,0.35)	1	0.350mm
30-18	412042	Cap Screw	2	
30-19	579848	Stud	2	
30-20	579849	Nut	2	
30-21	639737	Spring Washer	2	
30-22	577750	Screw	1	
30-23	580080	Packing	2	
30-24	637961	Screw	1	
30-25	637962	Packing	1	
30-26	592867	Plug	1	
30-27	635220	Packing	1	
30-28	579850	Cover	1	
30-29	598257	Fuel Pump Packing	1	
30-30	976999	Bolt	2	

31. BSA-500JMQ
ENGINE (Speed Control Plate, Governor)



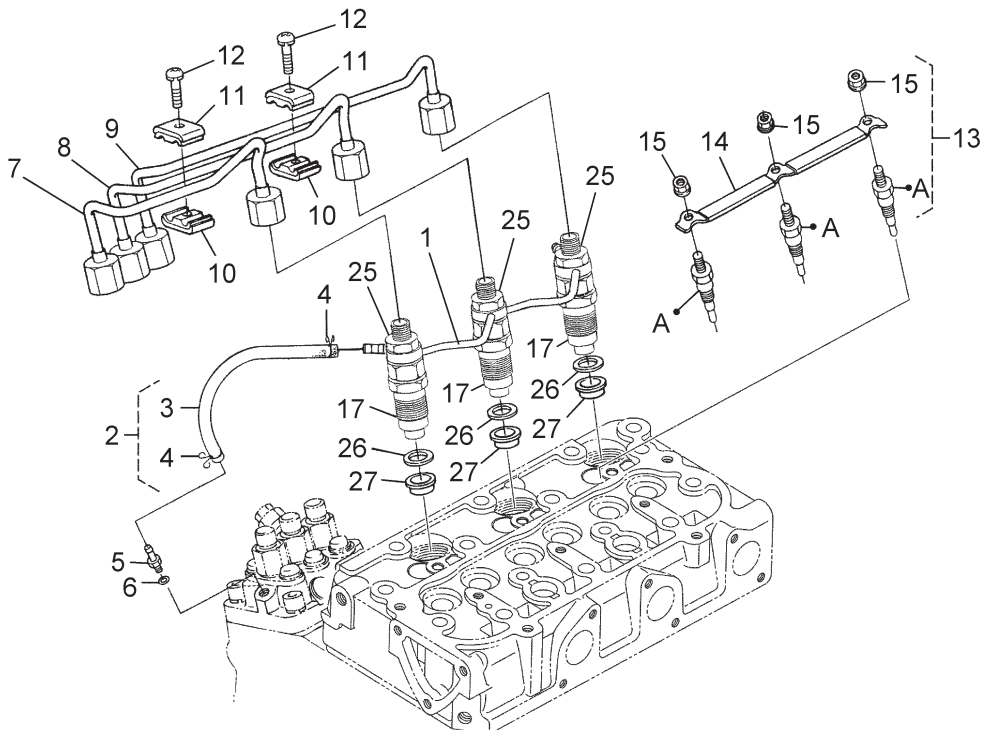
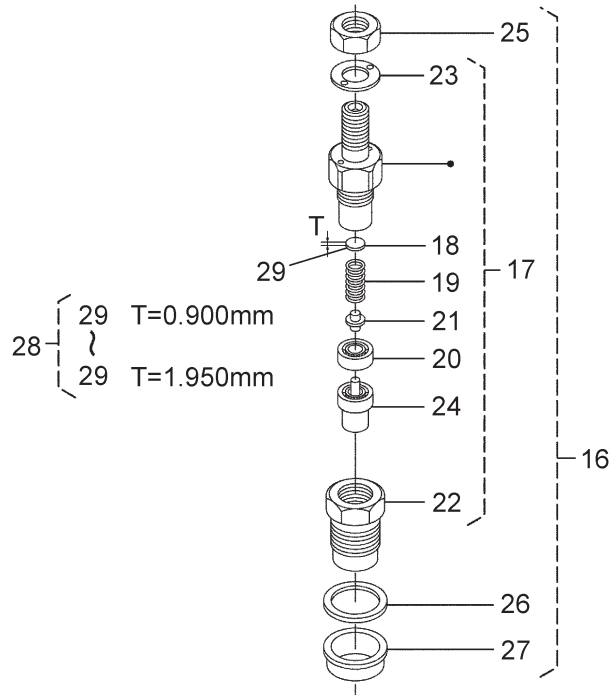
Ref. No.	Parts No.	Parts Name	Q'ty	Remarks
31-1	404759	Plate Comp.	1	Incl.2-16
31-2	643002	Plate	1	
31-3	643003	Lever	1	
31-4	643004	Collar	1	
31-5	643005	O-Ring	1	
31-6	643006	Lever	1	
31-7	643007	Nut	1	
31-8	643008	Shaft	1	
31-9	404758	Lever	1	
31-10	632068	Spring Pin	1	
31-11	635232	O-Ring	1	
31-12	593009	Spring	1	
31-13	413020	Bolt	2	
31-14	413020	Bolt	1	
31-15	975878	Nut M6	3	
31-16	643010	Cap	1	
31-17	577667	Speed Control Plate Packing	1	
31-18	580592	Bolt	2	
31-19	404757	Bolt(M8X18)	2	
31-20	577650	Start Spring	1	
31-21	414709	Spring(1,Governor)	1	
31-22	414710	Spring(2,Governor)	1	
31-23	416951	Fork Lever Ass'y	1	Incl.A-E,24-30
31-24	416952	Spring	1	
31-25	593070	Lever Ass'y	1	Incl.E,26,27
31-26	577656	Fork Lever Shaft	1	
31-27	631971	Spring Pin	1	
31-28	994984	Bolt	1	
31-29	408132	Spring Washer	1	
31-30	413025	Fork Lever Holder	1	
31-31	977005	Bolt	2	

32. BSA-500JMQ
ENGINE (Nozzle Holder, Glow Plug)



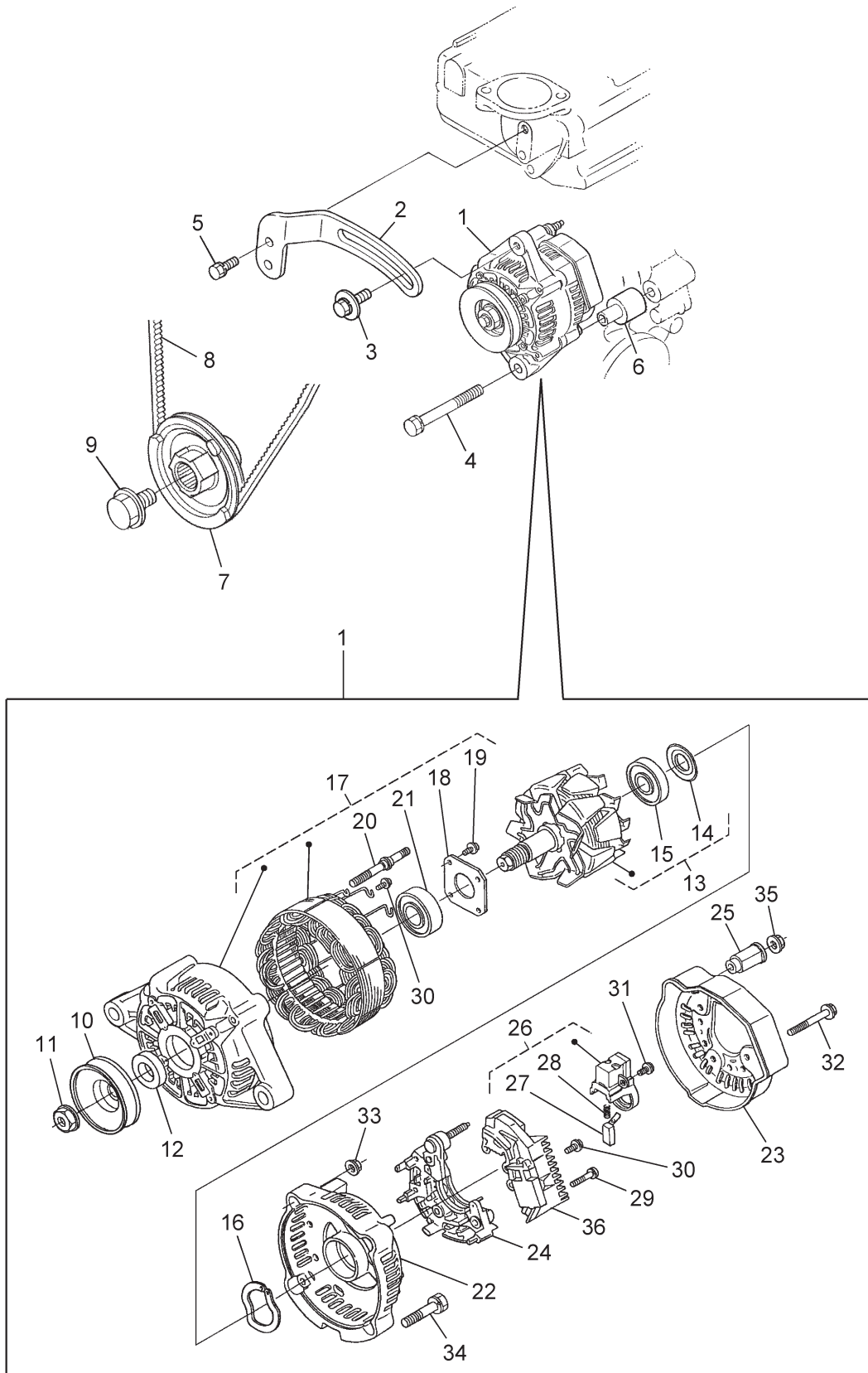
Ref. No.	Parts No.	Parts Name	Q'ty	Remarks
32-1	592994	Pipe Ass'y	1	
32-2	635399	Over Flow Pipe Ass'y 2	1	Incl.3,4
32-3	647125	Fuel Over Flow Pipe 2	1	
32-4	994421	Pipe Clip	2	
32-5	579876	Screw	1	
32-6	977264	Packing	1	
32-7	413021	Pipe(1,Injection)	1	
32-8	413022	Pipe(2,Injection)	1	
32-9	413023	Pipe(3,Injection)	1	
32-10	995029	PipeClamp 1	2	
32-11	995030	PipeClamp 2	2	
32-12	975882	Screw	2	
32-13	428063	Glow Plug	3	Incl.A,15
32-14	592999	Glow Plug Code	1	
32-15	592876	Nut	3	
32-16	428061	Nozzle Holder Kit	3	Incl.17-27
32-17	428062	Nozzle Holder Ass'y	3	Incl.18-24
32-18	592878	Adjusting Washer	3	
32-19	592879	Nozzle Spring	3	
32-20	592880	Distance Piece	3	
32-21	592881	Push Rod	3	
32-22	428067	Nozzle Nut	3	
32-23	592883	Washer	3	
32-24	428068	Nozzle Piece	3	
32-25	416950	Nut	3	
32-26	620009	Packing	3	
32-27	592768	Heat Seal	3	
32-28	580057	Adjusting Washer Ass'y	3	OPTION Incl.29
32-29	580050	Adjusting Washer	3	0.900mm
32-29	632122	Adjusting Washer 0925	3	0.925mm
32-29	632123	Adjusting Washer 0950	3	0.950mm
32-29	632124	Adjusting Washer 0975	3	0.975mm
32-29	632125	Adjusting Washer 1000	3	1.000mm
32-29	632126	Adjusting Washer 1025	3	1.025mm
32-29	632127	Adjusting Washer 1050	3	1.050mm
32-29	632128	Adjusting Washer 1075	3	1.075mm
32-29	632129	Adjusting Washer 1100	3	1.100mm
32-29	632130	Adjusting Washer 1125	3	1.125mm
32-29	632131	Adjusting Washer 1150	3	1.150mm
32-29	632132	Adjusting Washer 1175	3	1.175mm
32-29	632133	Adjusting Washer 1200	3	1.200mm
32-29	632134	Adjusting Washer 1225	3	1.225mm
32-29	632135	Adjusting Washer 1250	3	1.250mm
32-29	632136	Adjusting Washer 1275	3	1.275mm
32-29	632137	Adjusting Washer 1300	3	1.300mm

32. BSA-500JMQ
ENGINE (Nozzle Holder, Glow Plug)



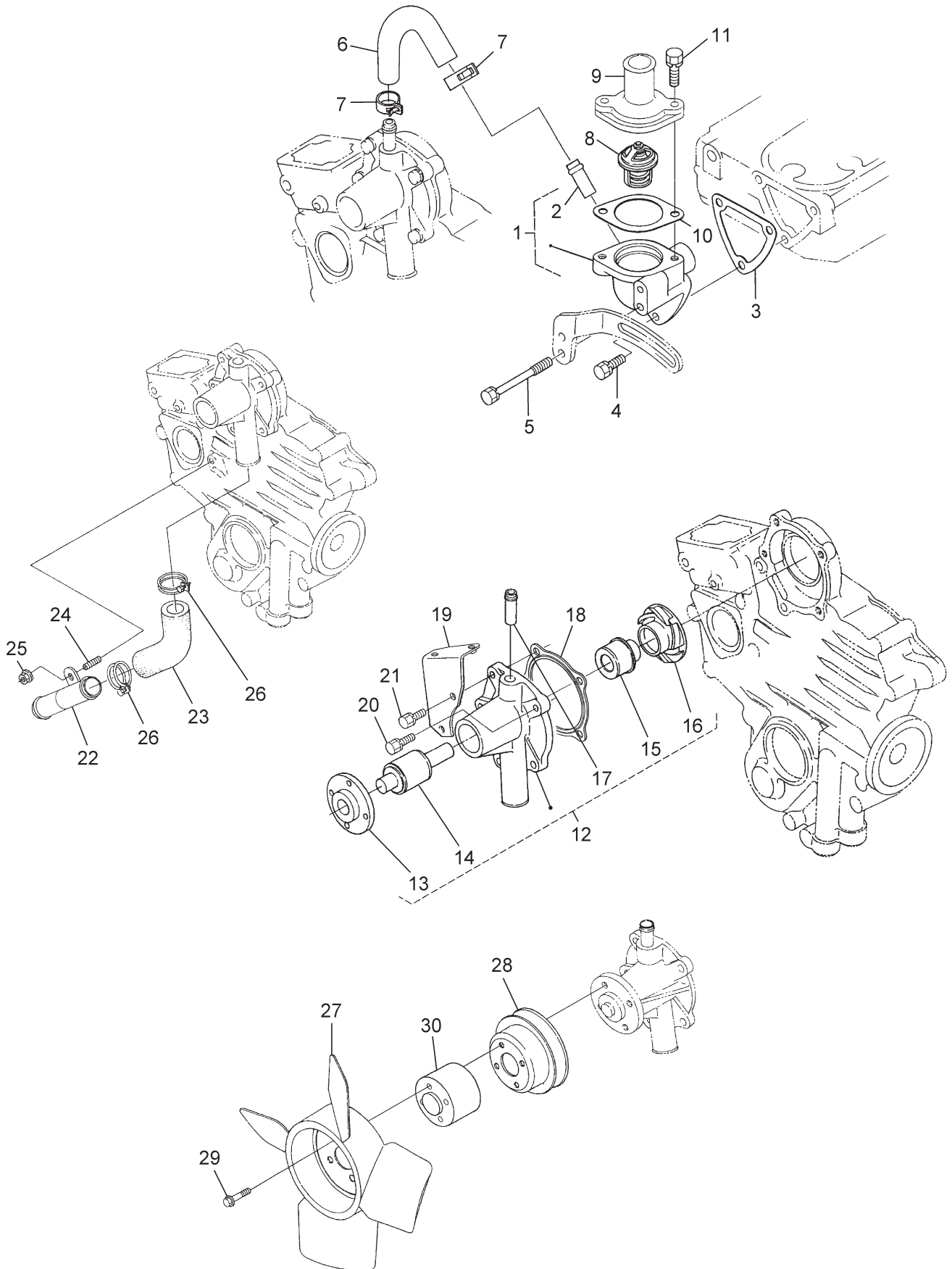
Ref. No.	Parts No.	Parts Name	Q'ty	Remarks
32-29	632138	Adjusting Washer 1325	3	1.325mm
32-29	632139	Adjusting Washer 1350	3	1.350mm
32-29	632140	Adjusting Washer 1375	3	1.375mm
32-29	632141	Adjusting Washer 1400	3	1.400mm
32-29	632142	Adjusting Washer 1425	3	1.425mm
32-29	632143	Adjusting Washer 1450	3	1.450mm
32-29	632144	Adjusting Washer 1475	3	1.475mm
32-29	632145	Adjusting Washer 1500	3	1.500mm
32-29	632146	Adjusting Washer 1525	3	1.525mm
32-29	632147	Adjusting Washer 1550	3	1.550mm
32-29	632148	Adjusting Washer 1575	3	1.575mm
32-29	632149	Adjusting Washer 1600	3	1.600mm
32-29	632150	Adjusting Washer 1625	3	1.625mm
32-29	632151	Adjusting Washer 1650	3	1.650mm
32-29	632152	Adjusting Washer 1675	3	1.675mm
32-29	632153	Adjusting Washer 1700	3	1.700mm
32-29	632154	Adjusting Washer 1725	3	1.725mm
32-29	632155	Adjusting Washer 1750	3	1.750mm
32-29	632156	Adjusting Washer 1775	3	1.775mm
32-29	632157	Adjusting Washer 1800	3	1.800mm
32-29	632158	Adjusting Washer 1825	3	1.825mm
32-29	632159	Adjusting Washer 1850	3	1.850mm
32-29	632160	Adjusting Washer 1875	3	1.875mm
32-29	632161	Adjusting Washer 1900	3	1.900mm
32-29	632162	Adjusting Washer 1925	3	1.925mm
32-29	632163	Adjusting Washer 1950	3	1.950mm

33. BSA-500JMQ
ENGINE (Alternator, Pulley)



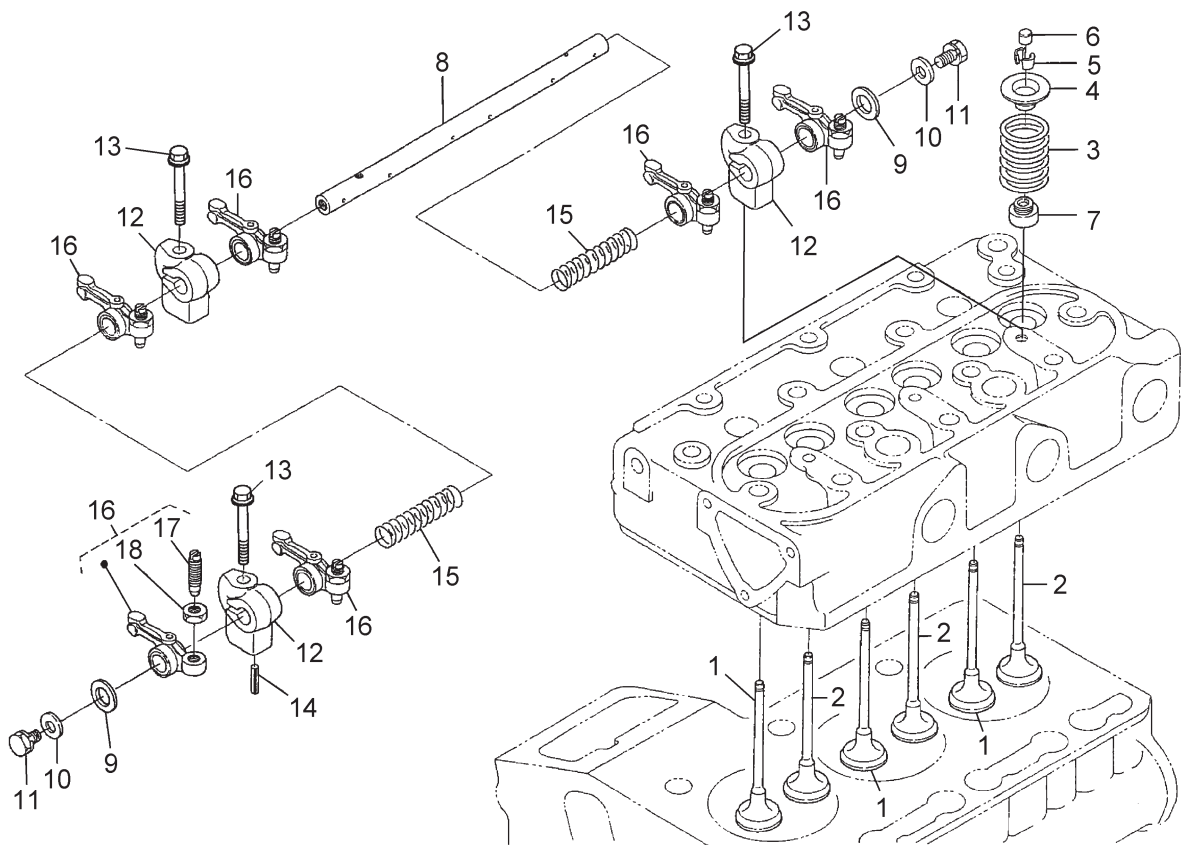
Ref. No.	Parts No.	Parts Name	Q'ty	Remarks
33-1	428069	Alternator Ass'y	1	Incl.10-36
33-2	593072	Stay	1	
33-3	404767	Bolt	1	
33-4	647143	Bolt	1	
33-5	976999	Bolt	1	
33-6	647144	Collar	1	
33-7	593073	Fan Drive Pulley	1	
33-8	413026	Fan Belt	1	
33-9	577675	Bolt	1	
33-10	579999	Dynamo Pulley	1	
33-11	580000	Nut	1	
33-12	580001	Collar	1	
33-13	643016	Rotor	1	Incl.14,15
33-14	580003	Bearing Cover	1	
33-15	643017	Bearing	1	
33-16	580005	Thrust Washer	1	
33-17	578998	Drive End Frame	1	Incl.18-21
33-18	580007	Retainer Plate	1	
33-19	580008	Screw	4	
33-20	580009	Bolt	2	
33-21	643018	Bearing	1	
33-22	643019	End Frame	1	
33-23	643020	Cover	1	
33-24	580013	Rectifier Ass'y	1	
33-25	580014	Bush	1	
33-26	633928	Brush Holder	1	Incl.27,28
33-27	580016	Brush	2	
33-28	580017	Brush Spring	2	
33-29	580018	Screw	2	
33-30	580019	Screw	6	
33-31	580020	Screw	1	
33-32	580021	Bolt	3	
33-33	580022	Nut	2	
33-34	580023	Bolt	2	
33-35	997827	Nut	1	
33-36	646814	Regulator	1	

34. BSA-500JMQ
ENGINE (Water Flange, Thermostat, Water Pump)



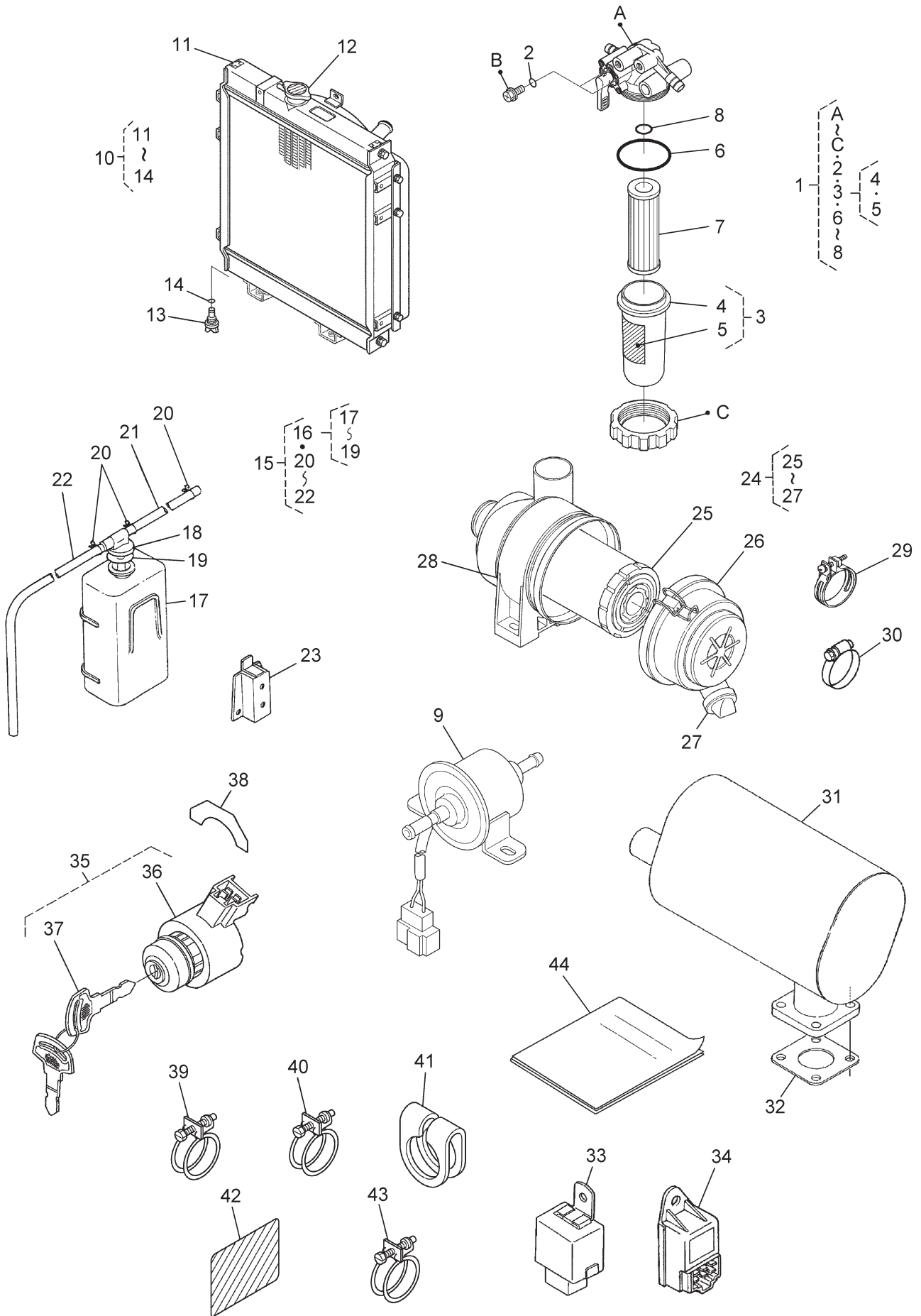
Ref. No.	Parts No.	Parts Name	Q'ty	Remarks
34-1	577690	Water Flange	1	Incl.2
34-2	592760	Water Return Pipe	1	
34-3	647145	Gasket	1	
34-4	976999	Bolt	2	
34-5	579730	Bolt	1	
34-6	577696	Water Return Pipe 2	1	
34-7	579945	Pipe Band	2	
34-8	579946	Thermostat Ass'y	1	
34-9	577695	Thermostat Cover	1	
34-10	620016	Gasket	1	
34-11	579616	Bolt	2	
34-12	404768	Water Pump Ass'y	1	Incl.13-17
34-13	420869	Water Pump Flange	1	
34-14	577699	Bearing	1	
34-15	576146	Mechanical Seal Ass'y	1	
34-16	404769	Water Pump Impeller	1	
34-17	576148	Water Return Pipe1	1	
34-18	413028	Gasket	1	
34-19	647146	Support	1	
34-20	579616	Bolt	2	
34-21	997783	Bolt	2	
34-22	577685	Water Pipe 2	1	
34-23	577686	Water Pipe 3	1	
34-24	643032	Stud	1	
34-25	580582	Nut	1	
34-26	577714	Pipe Band	2	
34-27	593018	Fan	1	
34-28	577673	Fan Pulley	1	
34-29	631954	Bolt	4	
34-30	592765	Fan Collar	1	

35. BSA-500JMQ
ENGINE (Valve, Rocker Arm)



Ref. No.	Parts No.	Parts Name	Q'ty	Remarks
35-1	407467	Inlet Valve	3	
35-2	407468	Exhaust Valve	3	
35-3	577549	Valve Spring	6	
35-4	577550	Valve Spring Retainer	6	
35-5	577551	Valve Spring Collet	12	SET
35-6	592948	Cap	6	
35-7	592949	Valve Stem Seal	6	
35-8	407469	Rocker Arm Shaft	1	
35-9	592950	Washer	2	
35-10	635249	Washer	2	
35-11	581076	Bolt	2	
35-12	404770	Bracket	3	
35-13	632049	Bolt	3	
35-14	977030	Spring Pin	1	
35-15	407470	Rocker Arm Spring	2	
35-16	413031	Rocker Arm Ass'y	6	Incl.17,18
35-17	577564	Adjusting Screw	6	
35-18	632060	Nut	6	

36. BSA-500JMQ
ENGINE (Accessories)



Ref. No.	Parts No.	Parts Name	Q'ty	Remarks
36-1	413040	Fuel Filter Ass'y	1	Incl.A-C,2-8
36-2	643013	O-Ring	2	
36-3	413041	Filter Cup Ass'y	1	Incl.4,5
36-4	413042	Filter Cup	1	
36-5	413043	Fuel Label	1	
36-6	413044	O-Ring	1	
36-7	413045	Element Ass'y	1	
36-8	413046	O-Ring	1	
36-9	420864	Fuel Pump Ass'y	1	
36-10	428070	Radiator Ass'y	1	Incl.11-14
36-11	407465	Radiator	1	
36-12	405534	Cap	1	
36-13	405536	Plug	1	
36-14	405537	O-Ring	1	
36-15	647150	Reserve Tank Ass'y	1	Incl.16-22
36-16	647151	Reserve Tank Ass'y	1	Incl.17-19
36-17	635427	Tank Body	1	
36-18	635429	Cap	1	
36-19	635430	Packing	1	
36-20	635434	Pipe Clip	3	
36-21	647152	Reserve Tank Hose 2	1	
36-22	647153	Tube	1	
36-23	655207	Reserve Tank Stay	1	
36-24	647154	Air Cleaner Ass'y	1	Incl.25-27
36-25	647156	Air Cleaner Element	1	
36-26	647157	Air Cleaner Cover	1	
36-27	647158	Valve	1	
36-28	647159	Bracket	1	
36-29	976011	Band	2	
36-30	976218	Band	1	
36-31	414319	Muffler Comp.	1	
36-32	995112	Muffler Packing	1	
36-33	625389	Timer	1	
36-34	593080	Timer	1	
36-35	414321	Starter Switch Ass'y	1	Incl.36,37
36-36	635512	Starter Switch	1	
36-37	635513	Key	1	
36-38	656004	Starter Switch Label	1	
36-39	593050	Hose Clamp	2	
36-40	659747	Wire Band	2	
36-41	635348	Clamp	1	
36-42	624423	Label	1	
36-42	428074	Label	1	
36-43	577714	Pipe Band	2	
36-44	428075	Instruction Manual	1	

37. BSA-500JMQ
INSTRUMENT PANEL

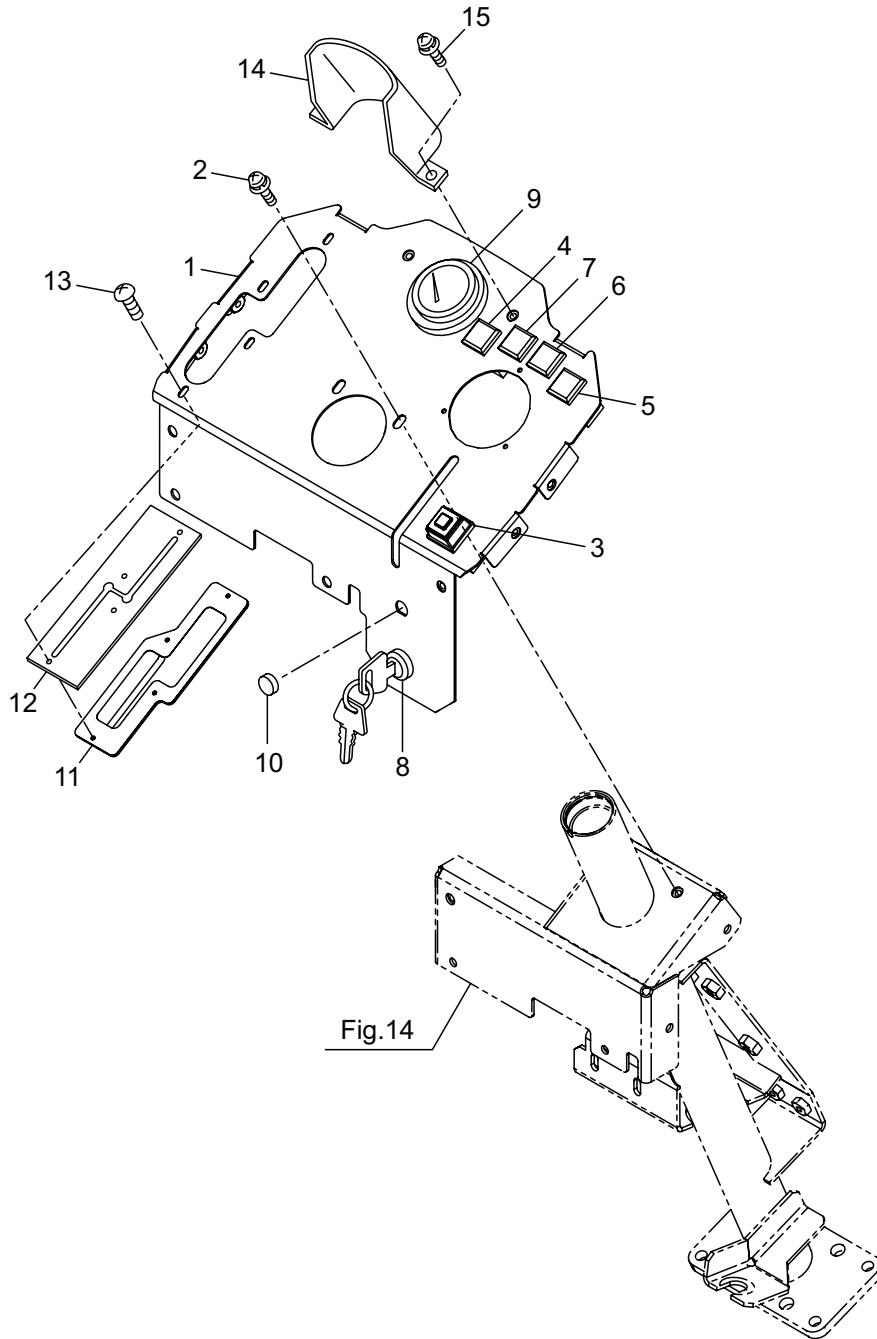
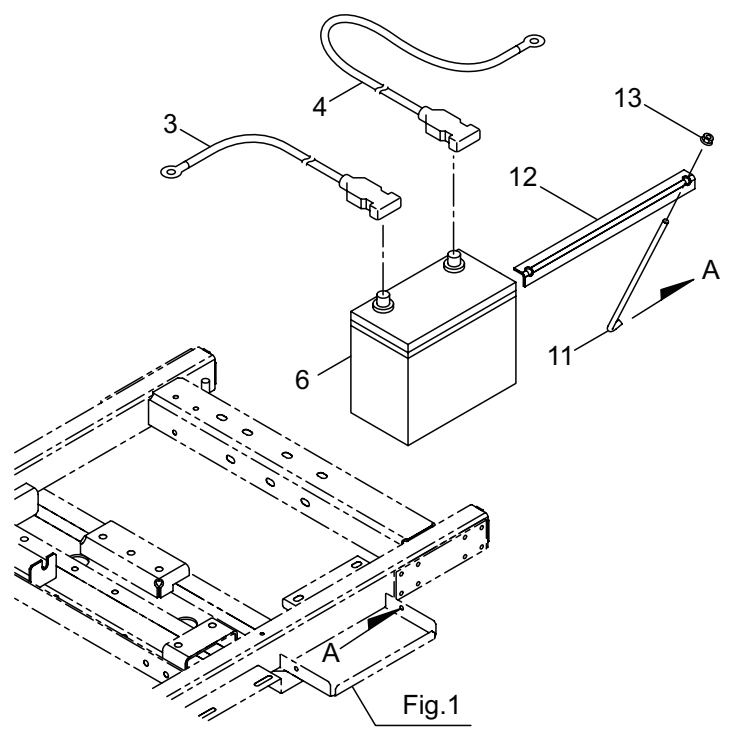
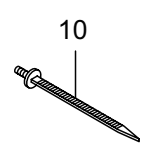
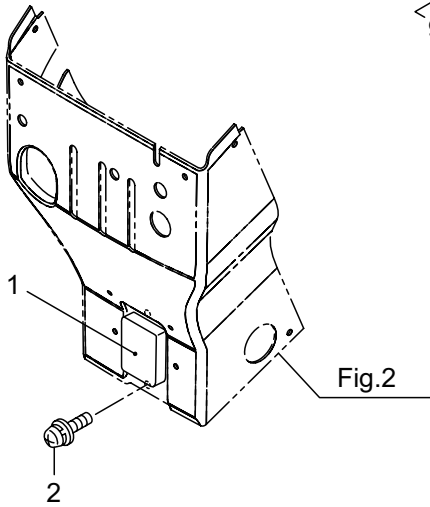
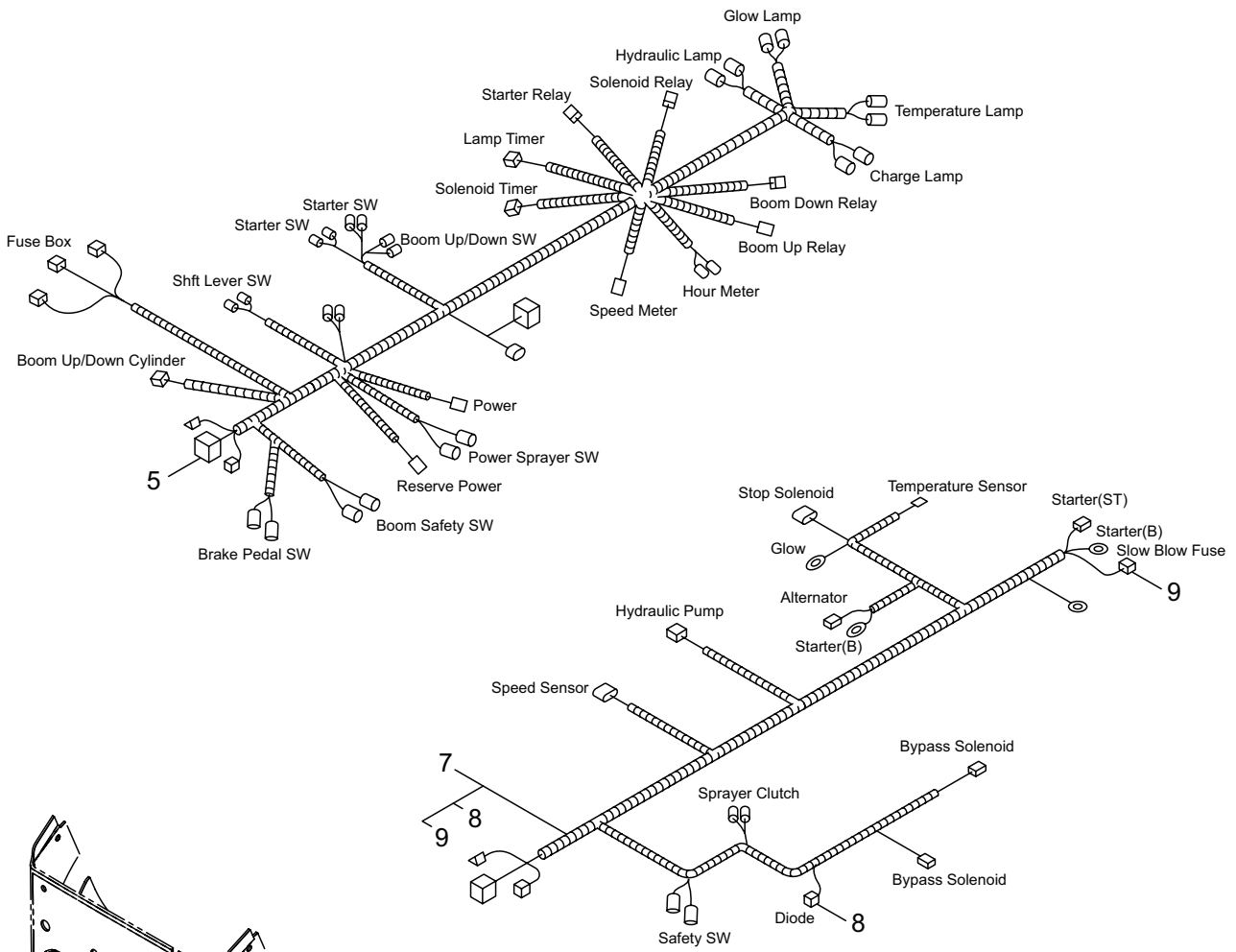


Fig.14

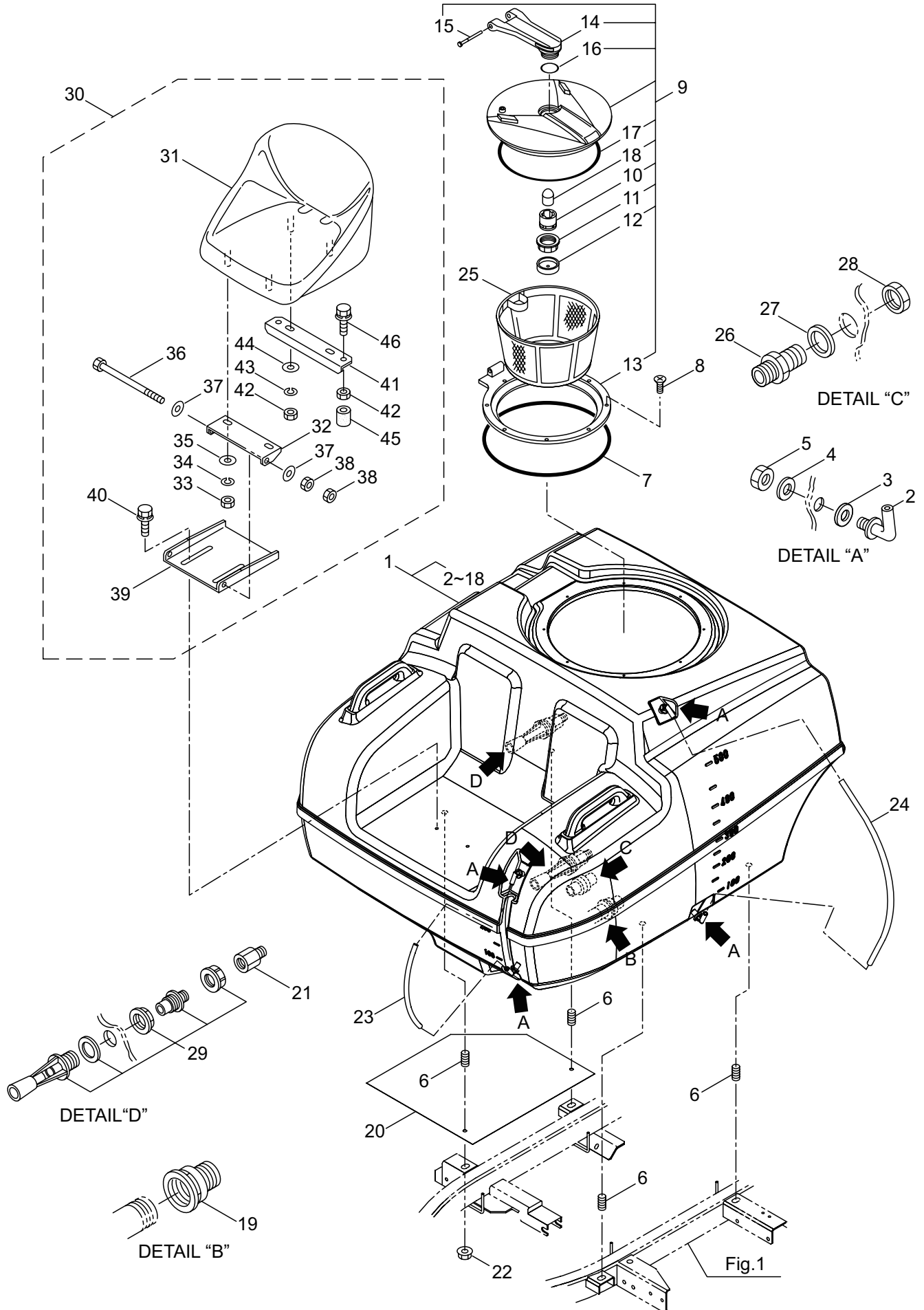
Ref. No.	Parts No.	Parts Name	Q'ty	Remarks
37-1	864736	Instrument Panel	1	
37-2	189421	Screw	2	M6X16(SM)
37-3	179103	Switch	1	
37-4	860647	Pilot Lamp	1	
37-5	861578	Pilot Lamp	1	
37-6	861579	Pilot Lamp	1	
37-7	861580	Pilot Lamp	1	
37-8	861581	Starter Switch Ass'y	1	
37-9	861582	Speed Meter	1	
37-10	162298	Grommet	1	
37-11	865216	Plate	1	
37-12	864738	Rubber Plate	1	
37-13	864739	Screw	4	M4X8
37-14	861583	Hood	1	
37-15	189421	Screw	2	M6X16(SM)

38. BSA-500JMQ ELECTRICAL PARTS



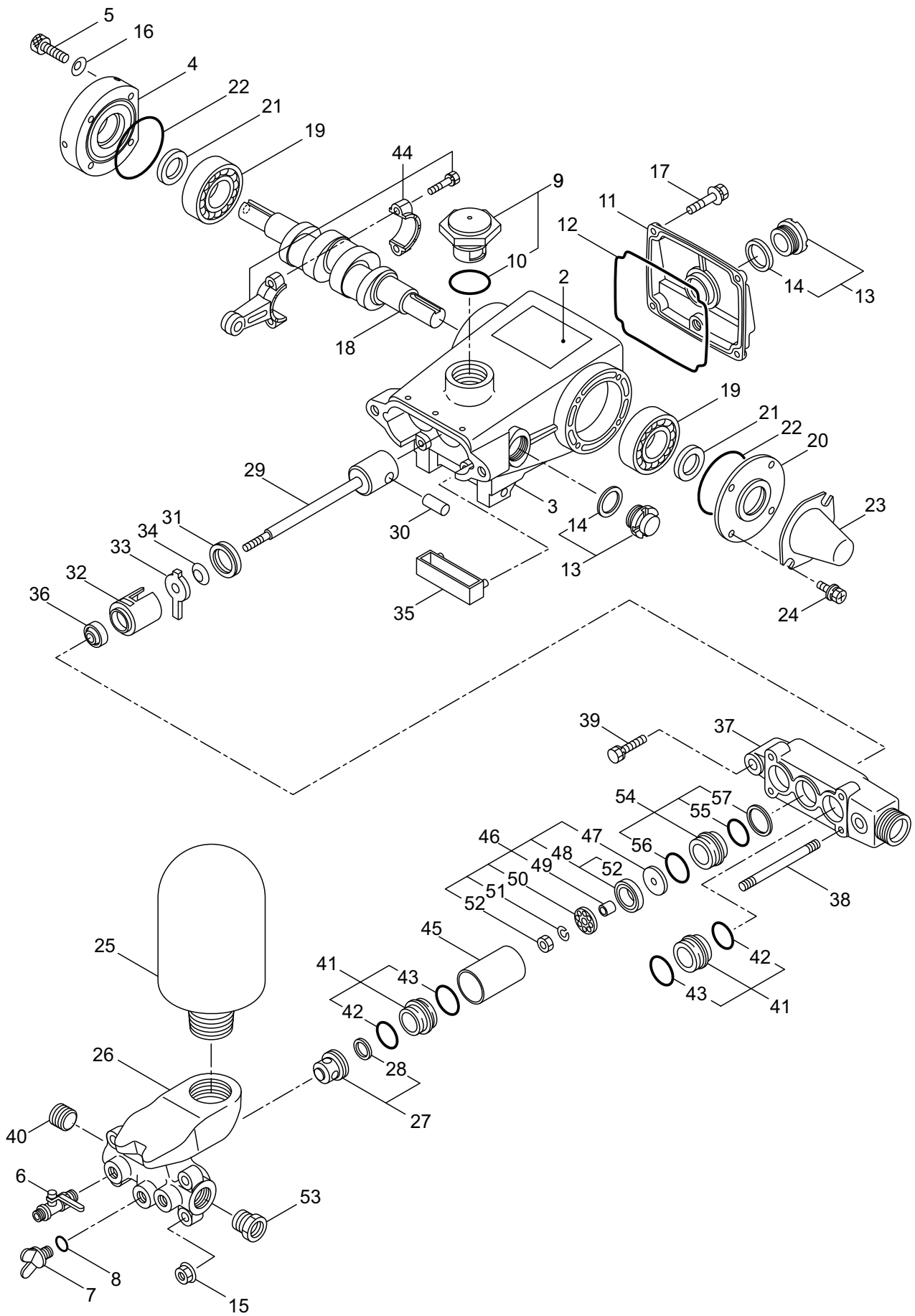
Ref. No.	Parts No.	Parts Name	Q'ty	Remarks
38-1	862619	Fuse Box	1	
38-2	189421	Screw	2	M6X16(SM)
38-3	864960	Battery Cord(-)	1	1050L
38-4	864961	Battery Cord(+)	1	800L
38-5	865821	Wire Harness	1	Panel
38-6	880585	Battery	1	55B24R
38-7	865996	Wire Harness	1	Incl.8,9
38-8	291196	Diode	1	
38-9	685844	Slow Blow Fuse	1	
38-10	189564	Clamp	4	
38-11	681290	Hook Bolt	2	M6
38-12	880588	Stay	1	
38-13	126756	Nut	2	M6

39. BSA-500JMQ CHEMICAL TANK, SEAT



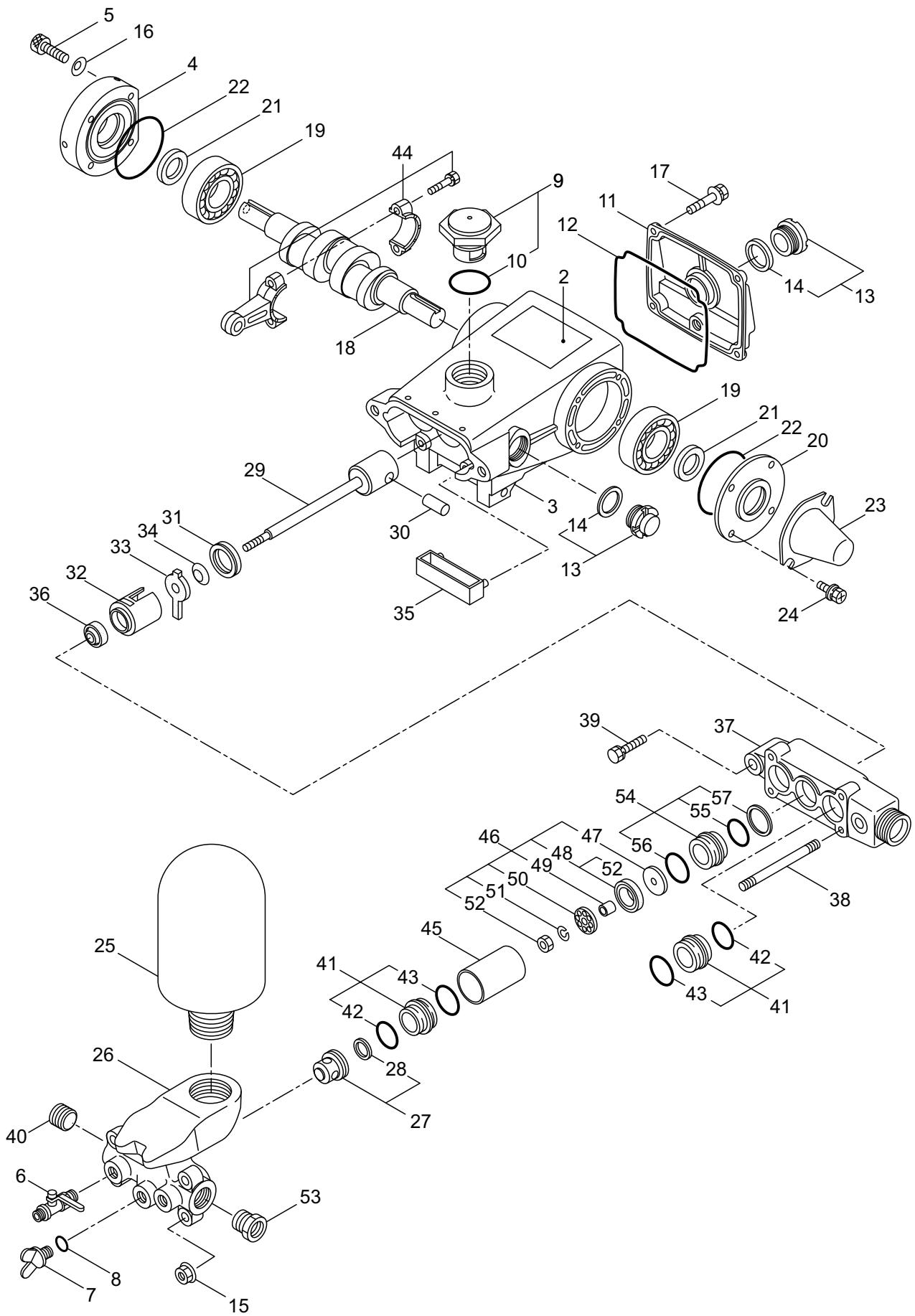
Ref. No.	Parts No.	Parts Name	Q'ty	Remarks
39-1	864740	Chemical Tank Ass'y	1	Incl.2-18
39-2	150772	Elbow	4	
39-3	150773	Packing	4	17X25X4
39-4	016949	Washer	4	17X24XT1
39-5	101393	Nut	4	PF3/8
39-6	867557	Stud Bolt	4	M12X50
39-7	172197	Packing	1	
39-8	187537	Screw	8	M5X20
39-9	172203	Water Inlet Lid Ass'y	1	Incl.10-18
39-10	646628	Float Case	1	
39-11	189950	Nut	1	
39-12	646629	Float Cap	1	
39-13	172196	Nut Ring	1	
39-14	646624	Arm	1	
39-15	646625	Pin	1	
39-16	646626	O-Ring	1	
39-17	186835	Packing	1	
39-18	183682	Float	1	
39-19	682374	Extension	1	
39-20	867558	Vinyl Sheet	1	
39-21	199032	Extension	2	G1/2XG1/4
39-22	867559	Nut	4	M12
39-23	864743	Vinyl Hose	1	12X16X390L
39-24	166835	Vinyl Hose	1	12X16X700L
39-25	187741	Strainer	1	
39-26	199503	Nipple(G3/4)	1	
39-27	866295	Packing	1	25X40XT5
39-28	199505	Nut(G3/4)	1	
39-29	860235	Jet Nozzle Ass'y(1.2)	2	
39-30	861516	Seat Ass'y	1	Incl.31-46
39-31	860618	Seat	1	
39-32	861517	Bracket	1	
39-33	126990	Nut	2	M8
39-34	126232	Spring Washer	2	M8
39-35	127216	Washer	2	M8
39-36	089500	Bolt	1	M8X220LX30S
39-37	127216	Washer	2	M8
39-38	126990	Nut	2	M8
39-39	861518	Bracket	1	
39-40	126763	Bolt	2	M8X20(SM)
39-41	861519	Stay	1	
39-42	126990	Nut	4	M8
39-43	126232	Spring Washer	2	M8
39-44	127216	Washer	2	M8
39-45	186846	Stopper Rubber	2	
39-46	549386	Bolt	2	M8X40(M)

40. BSA-500JMQ
POWER SPRAYER-1 (MS625S)



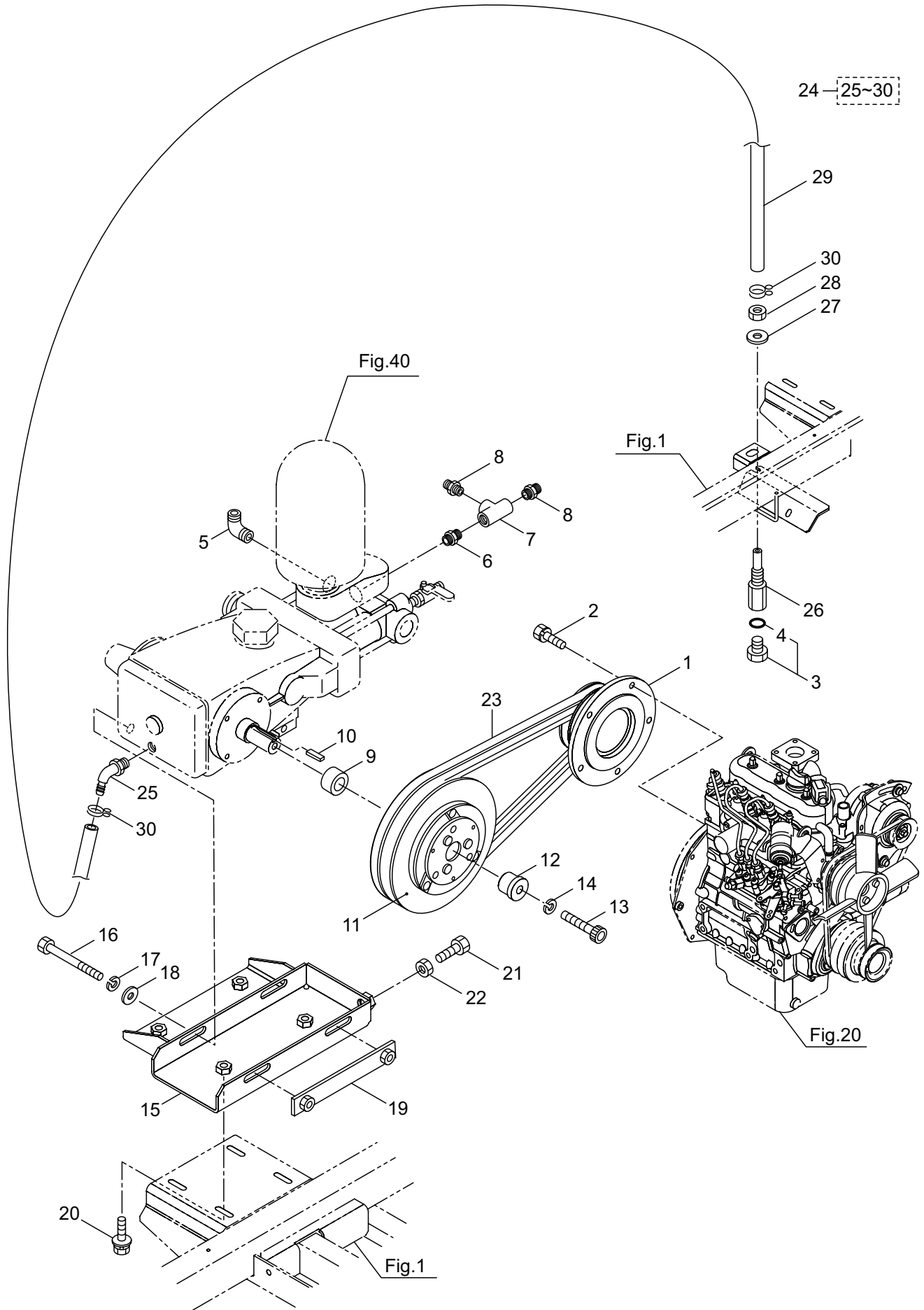
Ref. No.	Parts No.	Parts Name	Q'ty	Remarks
40-1	818483	MS625S	1	
40-2	130657	Label	1	MS625S
40-3	130637	Crankcase	1	
40-4	121415	Oil Seal Case	1	
40-5	087822	Cap Screw	4	M6X18
40-6	117609	Cock Ass'y	1	G1/4XR1/4
40-7	108366	Plug	1	G1/4
40-8	023170	O-Ring	1	P12.5
40-9	091264	Oil Filler Cap Ass'y	1	Incl.10
40-10	014177	O-Ring	1	P35
40-11	130444	Rear Cover	1	
40-12	048773	O-Ring	1	119X96X2.0
40-13	092241	Oil Gauge Ass'y	2	Incl.14
40-14	044428	Packing	2	25X34XT2
40-15	126201	Nut	4	M8
40-16	161619	Disc Spring	4	#6
40-17	125824	Bolt	4	M6X16(SMK)
40-18	044273	Crankshaft	1	
40-19	014480	Bearing	2	#6305
40-20	130468	Oil Seal Case	1	
40-21	043222	Oil Seal	2	D25356
40-22	043343	O-Ring	2	61.8X1.8
40-23	109692	Shaft Protector	1	
40-24	125824	Bolt	4	M6X16(SMK)
40-25	130548	Air Chamber	1	
40-26	121411	Discharge Manifold	1	
40-27	121218	Valve Ass'y	3	Incl.28
40-28	043793	Packing	3	25.8X28.5X1.1
40-29	120948	Piston Rod	3	
40-30	043351	Piston Pin	3	11X28.5
40-31	044285	Oil Seal	3	10.5 34 7
40-32	043530	Seal Retainer	3	
40-33	043532	Oil Wick	3	
40-34	026853	Packing	3	
40-35	043355	Oil Pan	1	
40-36	100015	Seal	3	
40-37	107610	Inlet Manifold	1	
40-38	130493	Stud Bolt	4	M8X117X11X18
40-39	128353	Bolt	2	M10X50X26
40-40	130470	Plug	1	R3/4
40-41	130538	Adapter Ass'y	5	Incl.42,43
40-42	043781	O-Ring	5	24.2X2.3
40-43	027536	O-Ring	5	27.2X2.65
40-44	048737	Connecting Rod Ass'y	3	
40-45	107992	Cylinder Pipe	3	32X35.5X56

40. BSA-500JMQ
POWER SPRAYER-1 (MS625S)



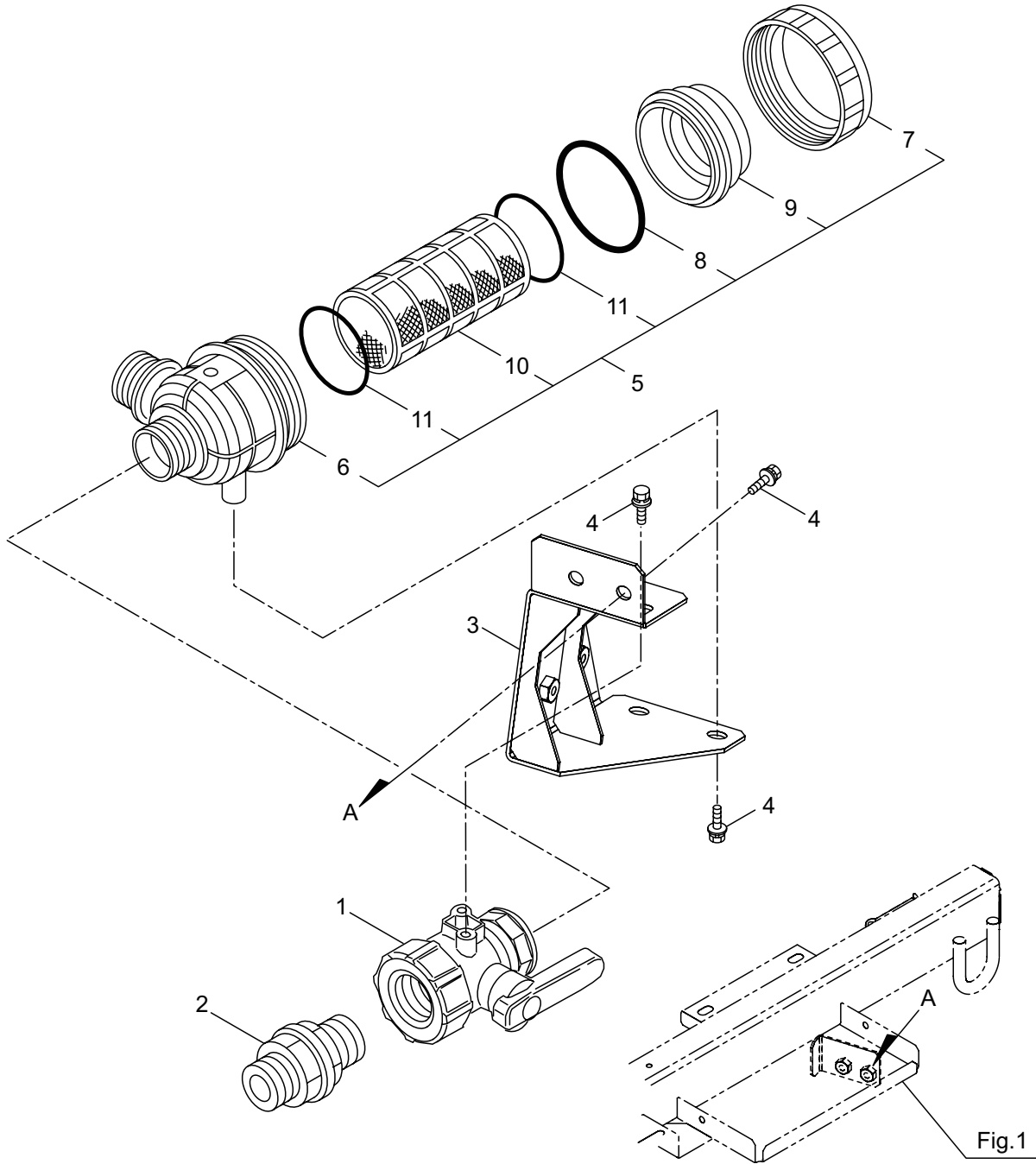
Ref. No.	Parts No.	Parts Name	Q'ty	Remarks
40-46	634031	Inlet Valve Ass'y	3	Incl.47-52
40-47	027944	Inlet Valve Seat	3	7X28XT3.8
40-48	632587	Piston Packing	3	Incl.52
40-49	027796	Spacer	3	7X10X11.5
40-50	027947	Piston Retainer	3	7X26X3
40-51	015850	Spring Washer	3	M7
40-52	115598	Nut	3	M7
40-53	293996	Bushing	1	1/2X3/4
40-54	130540	Adapter Ass'y	1	Incl.55-57 Only Center
40-55	043781	O-Ring	1	24.2X2.3
40-56	027536	O-Ring	1	27.2X2.65
40-57	011261	Packing	1	28.5X32XT0.5

41. BSA-500JMQ
POWER SPRAYER-2



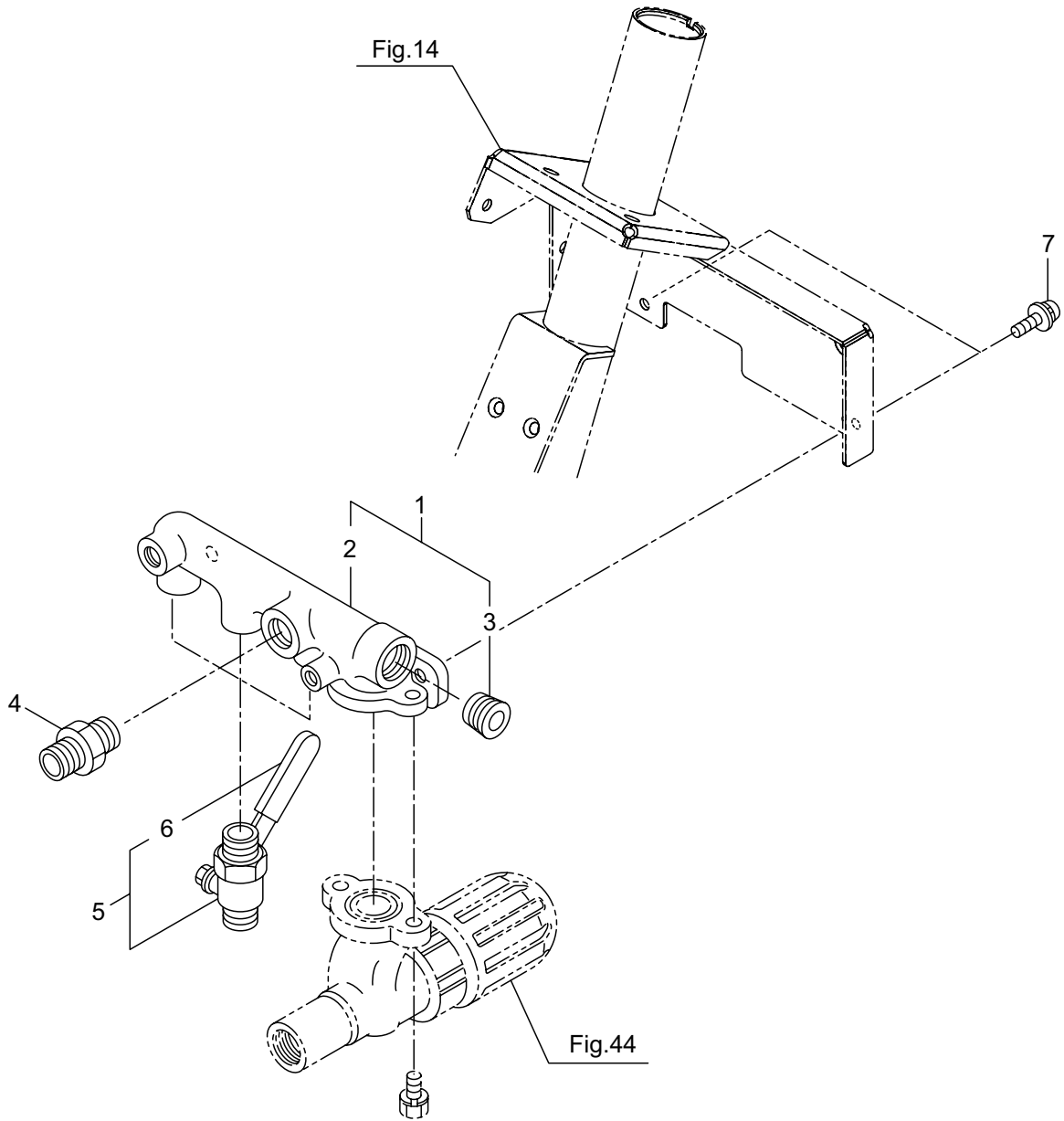
Ref. No.	Parts No.	Parts Name	Q'ty	Remarks
41-1	864633	V-Pulley	1	
41-2	096051	Bolt	5	M8X20-7T
41-3	091376	Plug Ass'y	1	G1/4 Incl.4
41-4	023170	O-Ring	1	P12.5
41-5	195035	Elbow	1	R1/2XG1/2
41-6	101527	Nipple	1	PT1/4XPT3/8
41-7	143183	Tee	1	1/4
41-8	171603	Nipple	2	PF1/4XPT1/4
41-9	191437	Collar	1	
41-10	030057	Key	1	6X6X25
41-11	195778	Electromagnetic Clutch Ass'y	1	
41-12	864634	Collar	1	
41-13	680142	Cap Screw	1	M8X35
41-14	126232	Spring Washer	1	M8
41-15	864635	Bracket	1	
41-16	089100	Bolt	2	M8X120X22
41-17	126232	Spring Washer	2	M8
41-18	127216	Washer	2	M8
41-19	861821	Plate Nut	1	M8
41-20	126763	Bolt	4	M8X20(SM)
41-21	080326	Bolt	1	M10X60
41-22	127433	Nut	1	M10
41-23	154393	V-Belt	2	
41-24	864639	Drain Ass'y	1	Incl.25-30
41-25	865306	45-Hose Joint(R1/4X10.5)	1	
41-26	173411	Joint	1	
41-27	126575	Washer	1	M12
41-28	081061	Nut	1	M12
41-29	864640	Hose	1	195L
41-30	868687	Hose Band	2	

42. BSA-500JMQ
STRAINER



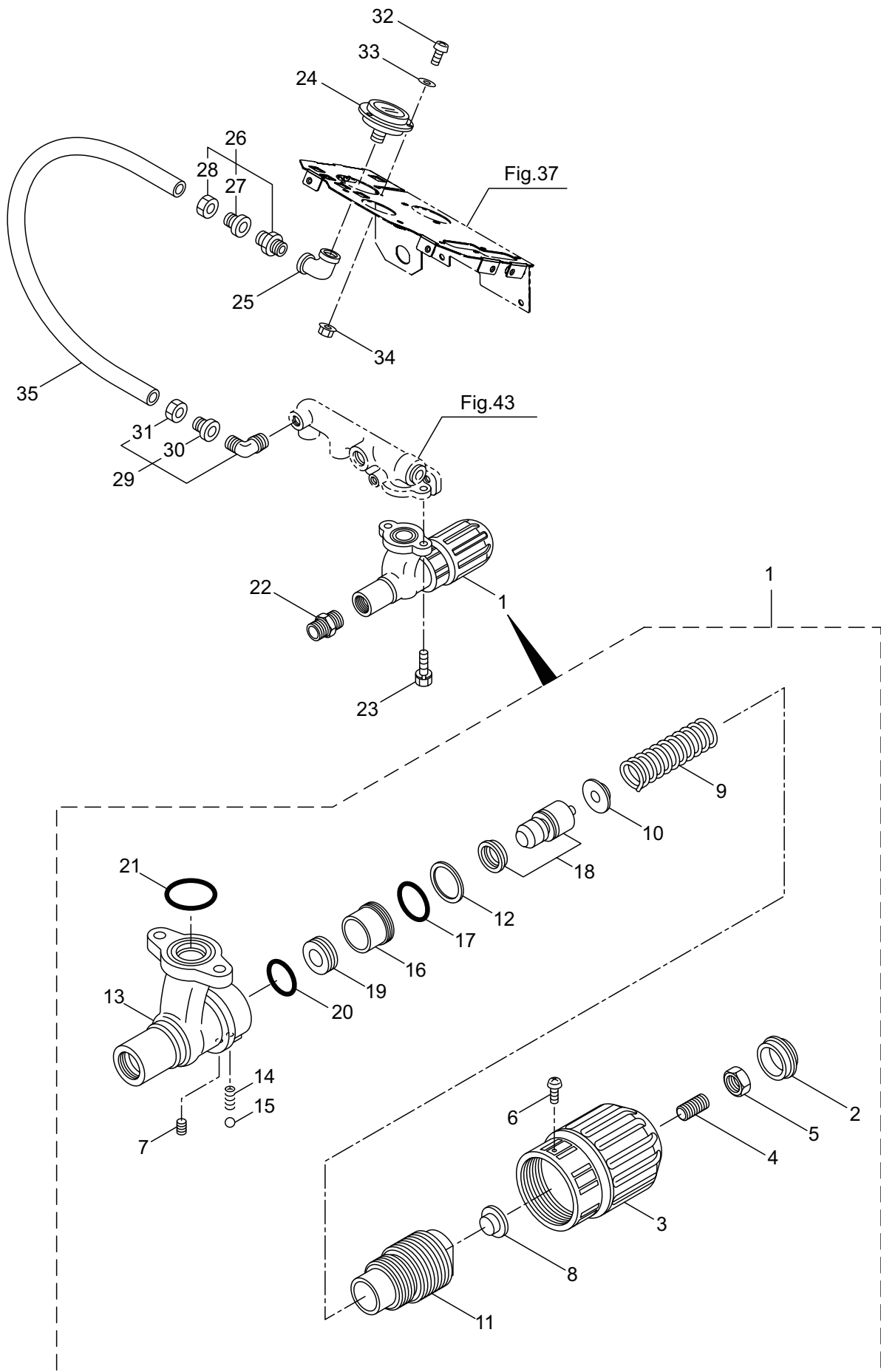
Ref. No.	Parts No.	Parts Name	Q'ty	Remarks
42-1	867920	Ball Cock	1	1 1/4
42-2	188442	Nipple	1	
42-3	864863	Bracket	1	
42-4	817007	Bolt	6	M8X16(SM)
42-5	866039	Strainer Ass'y	1	Incl.6-11
42-6	866040	Body	1	
42-7	161656	Nut	1	
42-8	866041	O-Ring	1	
42-9	866042	Cap	1	
42-10	866043	Strainer	1	
42-11	866044	O-Ring	2	

43. BSA-500JMQ
DIVIDER



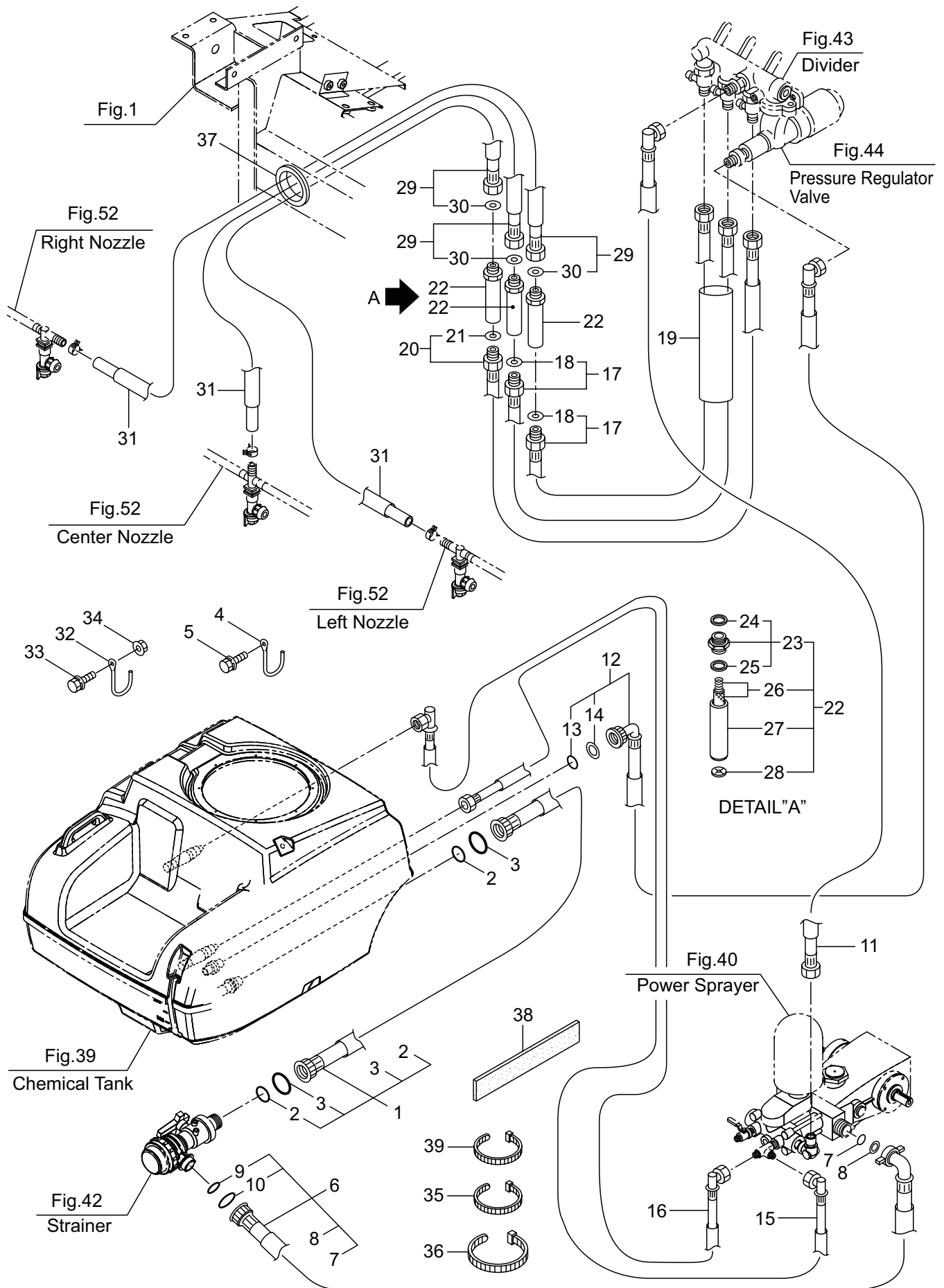
Ref. No.	Parts No.	Parts Name	Q'ty	Remarks
43-1	863964	Divider Ass'y	1	Incl.2,3
43-2	863965	Divider	1	
43-3	863966	Plug	1	R1/2
43-4	189160	Nipple	1	R1/2XG1/2
43-5	199046	Ball Cock Ass'y	3	R3/8XG3/8 Incl.6
43-6	682458	Handle	3	
43-7	189421	Screw	2	M6X16(SM)

44. BSA-500JMQ
PRESSURE REGULATOR VALVE, PRESSURE GAUGE



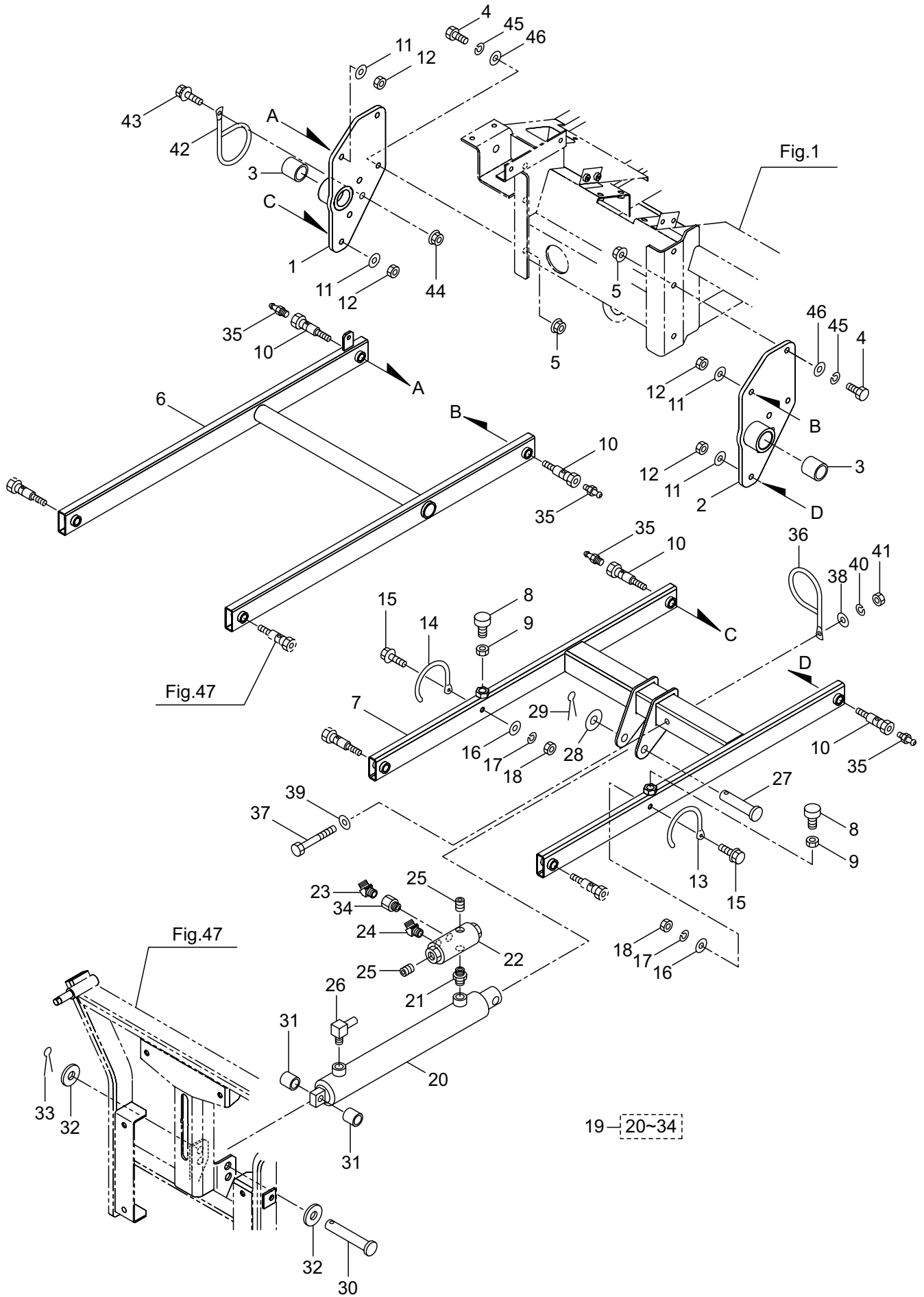
Ref. No.	Parts No.	Parts Name	Q'ty	Remarks
44-1	116934	Pressure Regulator Valve Ass'y	1	Incl.2-21
44-2	105518	Cap	1	
44-3	118702	Knob	1	
44-4	088918	Cap Screw	1	M10X18
44-5	126195	Nut	1	M10
44-6	087484	Screw	1	M3XP0.5X6
44-7	088915	Cap Screw	1	M5X8
44-8	107912	Spring Washer	1	
44-9	103274	Spring	1	
44-10	107913	Spring Seat	1	
44-11	107914	Guide	1	
44-12	107915	Washer	1	22.6X26.7XT1
44-13	107916	Body	1	
44-14	107221	Spring	1	
44-15	106498	Valve Ball	1	5/32
44-16	117252	Sleeve	1	
44-17	013975	O-Ring	1	S24
44-18	105725	Piston Ass'y	1	
44-19	117251	Valve Seat	1	
44-20	011338	O-Ring	1	P18
44-21	020285	O-Ring	1	P24
44-22	657737	Nipple	1	R1/2XG3/4
44-23	126258	Bolt	2	M8X20
44-24	825573	Pressure Gauge(900PSI-R1/4)	1	
44-25	654221	90-Elbow	1	R1/4
44-26	068850	Connector Ass'y	1	C2N-5/16-PT1/4 Incl.27,28
44-27	066302	Sleeve	1	
44-28	066303	Nut	1	
44-29	068736	Elbow Ass'y	1	L2N-5/16-PT1/4 Incl.30,31
44-30	066302	Sleeve	1	
44-31	066303	Nut	1	
44-32	088303	Screw	3	M3X12
44-33	065000	Washer	3	M3
44-34	180140	Nut	3	M3
44-35	065988	Tube	1	N2-2-5/16X200

45. BSA-500JMQ
CHEMICAL PIPING



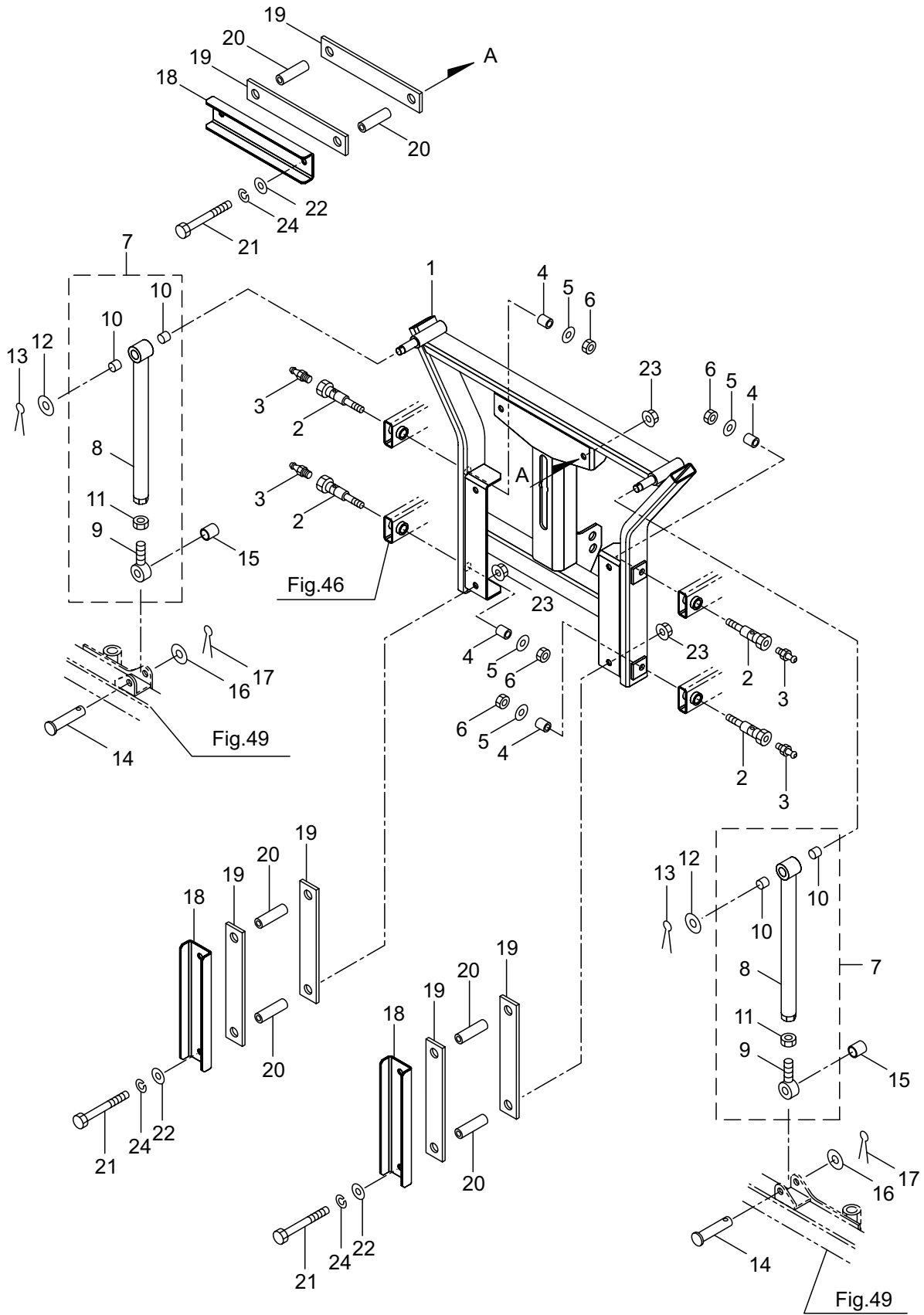
Ref. No.	Parts No.	Parts Name	Q'ty	Remarks
45-1	867421	Suction Hose Ass'y	1	32X900L Incl.2,3
45-2	161307	O-Ring	2	
45-3	161308	O-Ring	2	
45-4	860431	Hook	1	
45-5	817007	Bolt	1	M8X16(SM)
45-6	864660	Suction Hose Ass'y	1	25X1020L Incl.7-10
45-7	161309	O-Ring	1	
45-8	103687	Packing	1	23.5X30XT2
45-9	161307	O-Ring	1	
45-10	161308	O-Ring	1	
45-11	867635	Discharge Hose Ass'y	1	13X2SX2650L
45-12	864665	Discharge Hose Ass'y	1	19X28X1650L Incl.13,14
45-13	682622	O-Ring	1	
45-14	188603	Packing	1	18.5X24XT2
45-15	867432	Discharge Hose Ass'y	1	8.5X2SX1150L
45-16	867434	Discharge Hose Ass'y	1	8.5X2SX720L
45-17	825580	Discharge Hose Ass'y	2	10X2SX1300L Incl.18
45-18	114303	Packing	2	15X20.5XT2
45-19	866062	Hose Protector	1	11/4X520L
45-20	880395	Discharge Hose Ass'y	1	10X2SX1200L Incl.21
45-21	114303	Packing	1	15X20.5XT2
45-22	681563	Cleaner Ass'y	3	Incl.23-28
45-23	681634	Nipple Ass'y	3	Incl.24,25
45-24	681635	Packing	3	
45-25	681636	Packing	3	
45-26	681637	Strainer	3	
45-27	681638	Cleaner Body	3	
45-28	681639	Packing	3	
45-29	880396	Discharge Hose Ass'y	3	10X2SX1700L Incl.30
45-30	111569	Packing	3	9.5X15XT1.5
45-31	880049	Tube	3	19X1600L
45-32	860431	Hook	1	
45-33	126763	Bolt	1	M8X20(SM)
45-34	126201	Nut	1	M8
45-35	685050	Band	17	CV-350B
45-36	685051	Band	2	CV-450B
45-37	104410	Grommet	1	60
45-38	681559	Rubber Plate	2	70X420XT2
45-39	187457	Band	4	CV-250A

46. BSA-500JMQ
BOOM LIFT



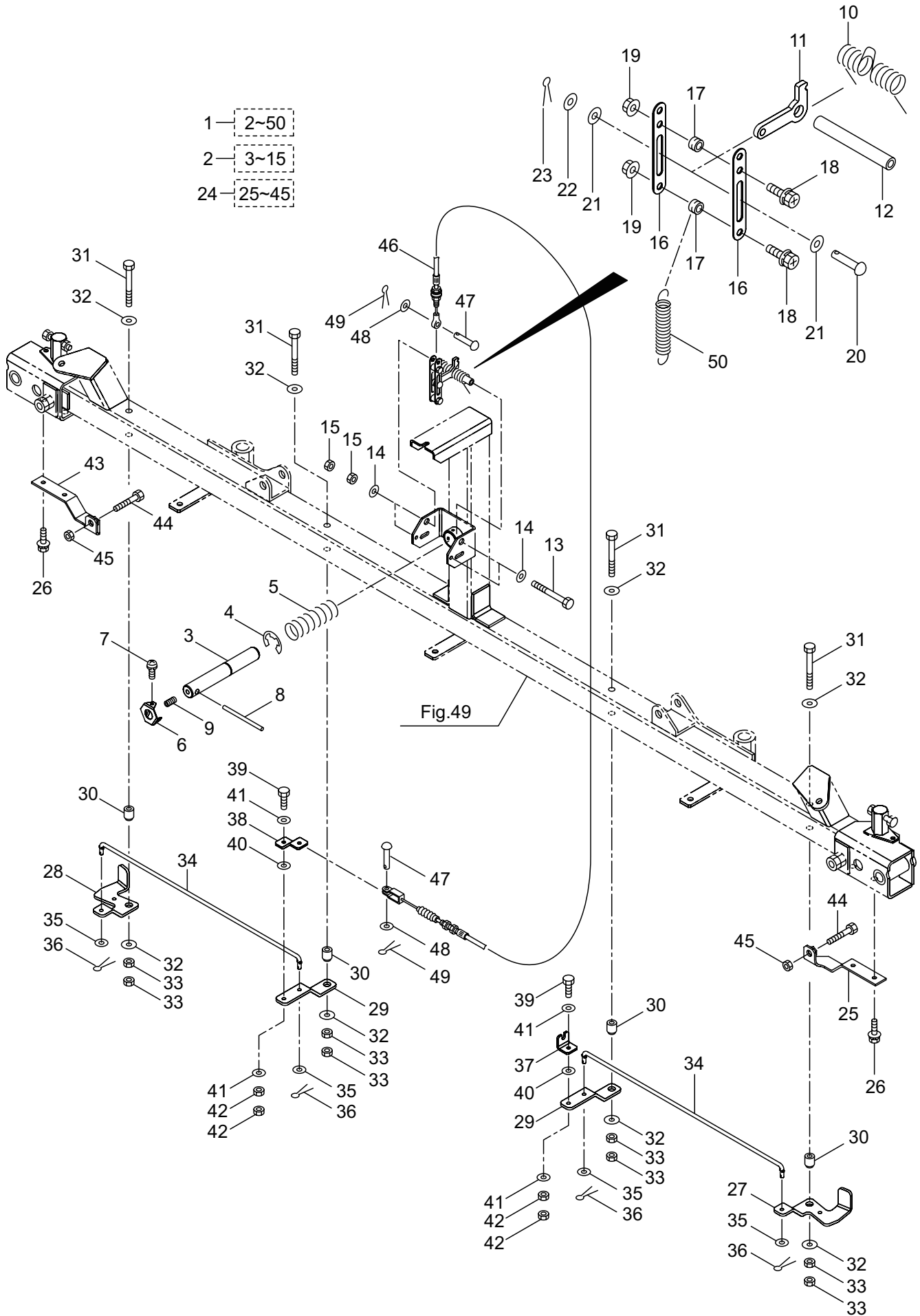
Ref. No.	Parts No.	Parts Name	Q'ty	Remarks
46-1	866544	Plate	1	
46-2	866546	Plate	1	
46-3	865955	Bush	2	
46-4	089385	Bolt	4	M10X30-7T
46-5	126567	Nut	4	M10
46-6	864127	Pipe Ass'y	1	
46-7	866547	Pipe Ass'y	1	
46-8	148214	Buffer	2	15-M14X30
46-9	081354	Nut	2	M14
46-10	865956	Bolt	4	M10
46-11	013849	Washer	4	M10
46-12	864249	Nut	4	M10(H12)
46-13	681210	Hook	1	
46-14	688762	Hook	1	
46-15	092517	Bolt	2	M8X40(M)
46-16	019059	Washer	2	8.5X25XT2.6
46-17	126232	Spring Washer	2	M8
46-18	126990	Nut	2	M8
46-19	865642	Power Cylinder Ass'y	1	Incl.20-34
46-20	865643	Power Cylinder	1	
46-21	865286	Nipple	1	
46-22	177037	Pilot Check Valve	1	
46-23	866013	45-Elbow	1	
46-24	536922	45-Elbow	1	
46-25	165769	Plug	2	PT1/8
46-26	865909	Joint	1	R1/4X9
46-27	865646	Shaft	1	
46-28	022901	Washer	1	M16
46-29	014735	Split Pin	1	3X28
46-30	865688	Pin	1	
46-31	865649	Collar	2	16.1X21.7X22L
46-32	148216	Washer	2	16.5X35XT4.5
46-33	014735	Split Pin	1	3X28
46-34	866117	Orifice	1	R1/8XRC1/8-1.0
46-35	069553	Grease Nipple	4	A-MT6X1
46-36	866158	Hook	1	
46-37	080179	Bolt	1	M8X65X22
46-38	127216	Washer	1	M8
46-39	019059	Washer	1	8.5X25XT2.6
46-40	126232	Spring Washer	1	M8
46-41	126990	Nut	1	M8
46-42	866158	Hook	1	
46-43	096036	Bolt	1	M8X25(SM)
46-44	126201	Nut	1	M8
46-45	126231	Spring Washer	4	M10
46-46	013849	Washer	4	M10

47. BSA-500JMQ
LEVEL CONTROL



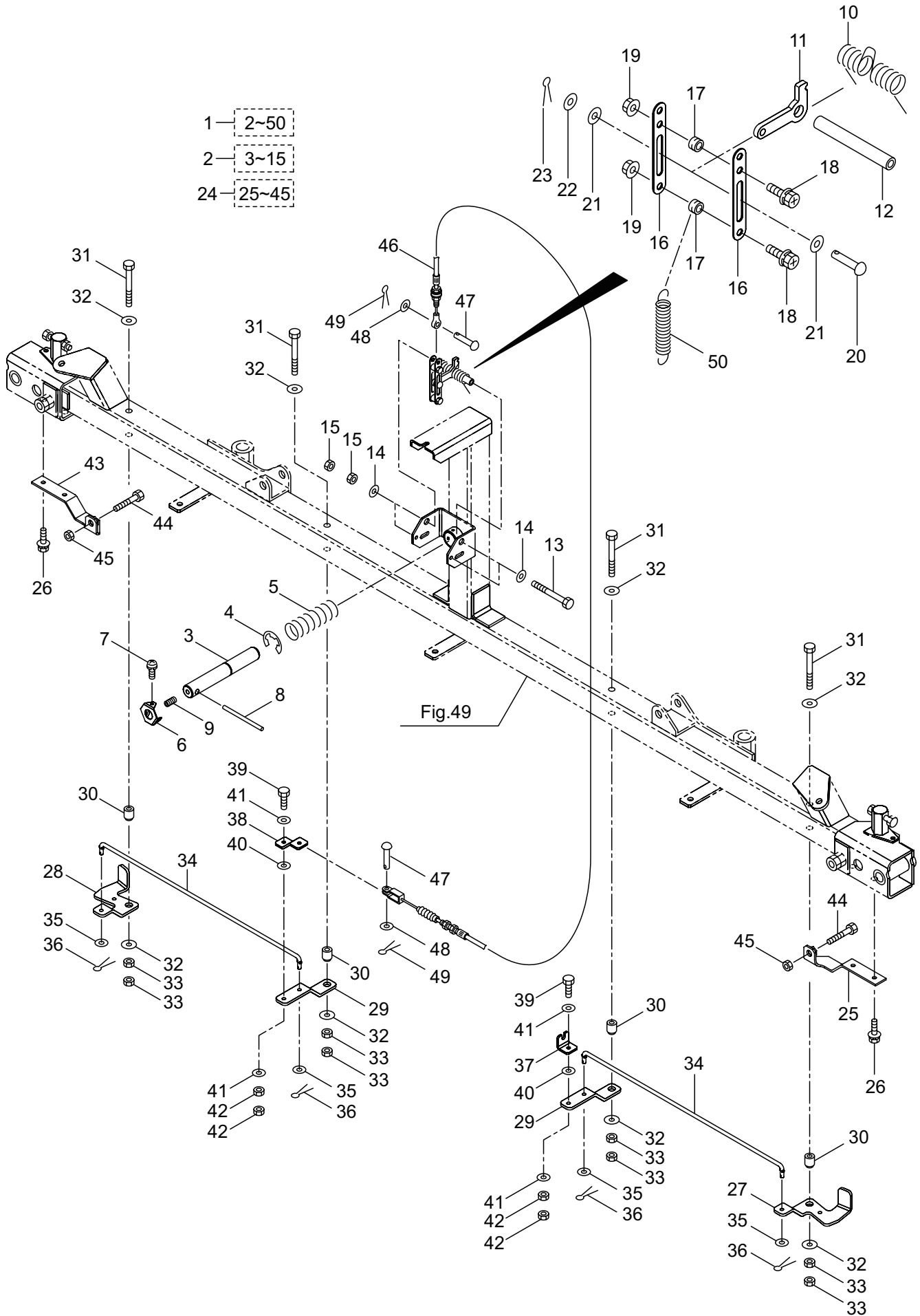
Ref. No.	Parts No.	Parts Name	Q'ty	Remarks
47-1	865652	Boom Frame Ass'y	1	
47-2	865664	Bolt	4	M10
47-3	069553	Grease Nipple	4	A-MT6X1
47-4	865665	Collar	4	10.9X17.3X20L
47-5	013849	Washer	4	M10
47-6	864249	Nut	4	M10(H12)
47-7	865666	Rod Ass'y	2	Incl.8-11
47-8	865667	Rod	2	
47-9	687581	Rod End	2	
47-10	687582	Bush	4	
47-11	081354	Nut	2	M14
47-12	126796	Washer	2	M14
47-13	014735	Split Pin	2	3X28
47-14	865799	Pin	2	
47-15	864134	Collar	2	14X17.3X18L
47-16	126796	Washer	2	M14
47-17	014735	Split Pin	2	3X28
47-18	865671	Bracket	3	
47-19	865672	Plate	6	
47-20	865673	Pipe	6	10.9X17.3X62L
47-21	080373	Bolt	6	M10X85X26
47-22	013849	Washer	6	M10
47-23	126567	Nut	6	M10
47-24	126231	Spring Washer	6	M10

48. BSA-500JMQ
 AUTO LOCK



Ref. No.	Parts No.	Parts Name	Q'ty	Remarks
48-1	865968	Auto Lock Ass'y	1	Incl.2-50
48-2	865969	Lock Pin Ass'y	1	Incl.3-15
48-3	865970	Shaft	1	
48-4	013523	E-Ring	1	#12
48-5	865971	Spring	1	
48-6	865972	Bracket	1	
48-7	092100	Screw	3	M4X6
48-8	865973	Rod	1	
48-9	193708	Cap Screw	1	M5X5
48-10	865974	Spring	1	
48-11	865975	Lever	1	
48-12	865976	Pipe	1	
48-13	865977	Bolt	2	M6X100X18
48-14	127239	Washer	4	M6
48-15	127298	Nut	4	M6
48-16	865978	Plate	2	
48-17	865979	Collar	2	
48-18	092582	Bolt	2	M6X20(SM)
48-19	126756	Nut	2	M6
48-20	210336	Clevis Pin	1	6X22L
48-21	865980	Packing	2	6.2X14XT1.5
48-22	127239	Washer	1	M6
48-23	014314	Split Pin	1	2X8
48-24	865981	Lever Ass'y	1	Incl.25-45
48-25	866232	Lever	1	
48-26	817004	Bolt	4	M6X12(SM)
48-27	865983	Lever	1	
48-28	865984	Lever	1	
48-29	865985	Lever	2	
48-30	865986	Collar	4	
48-31	080243	Bolt	4	M8X90X22
48-32	019059	Washer	8	8.5X25XT2.6
48-33	126990	Nut	8	M8
48-34	865987	Rod	2	
48-35	127239	Washer	4	M6
48-36	014314	Split Pin	4	2X8
48-37	865988	Stay	1	
48-38	865989	Stay	1	
48-39	082105	Bolt	2	M6X25
48-40	865980	Packing	2	6.2X14XT1.5
48-41	127239	Washer	4	M6
48-42	127298	Nut	4	M6
48-43	866233	Lever	1	
48-44	080144	Bolt	2	M8X45X22
48-45	126990	Nut	2	M8

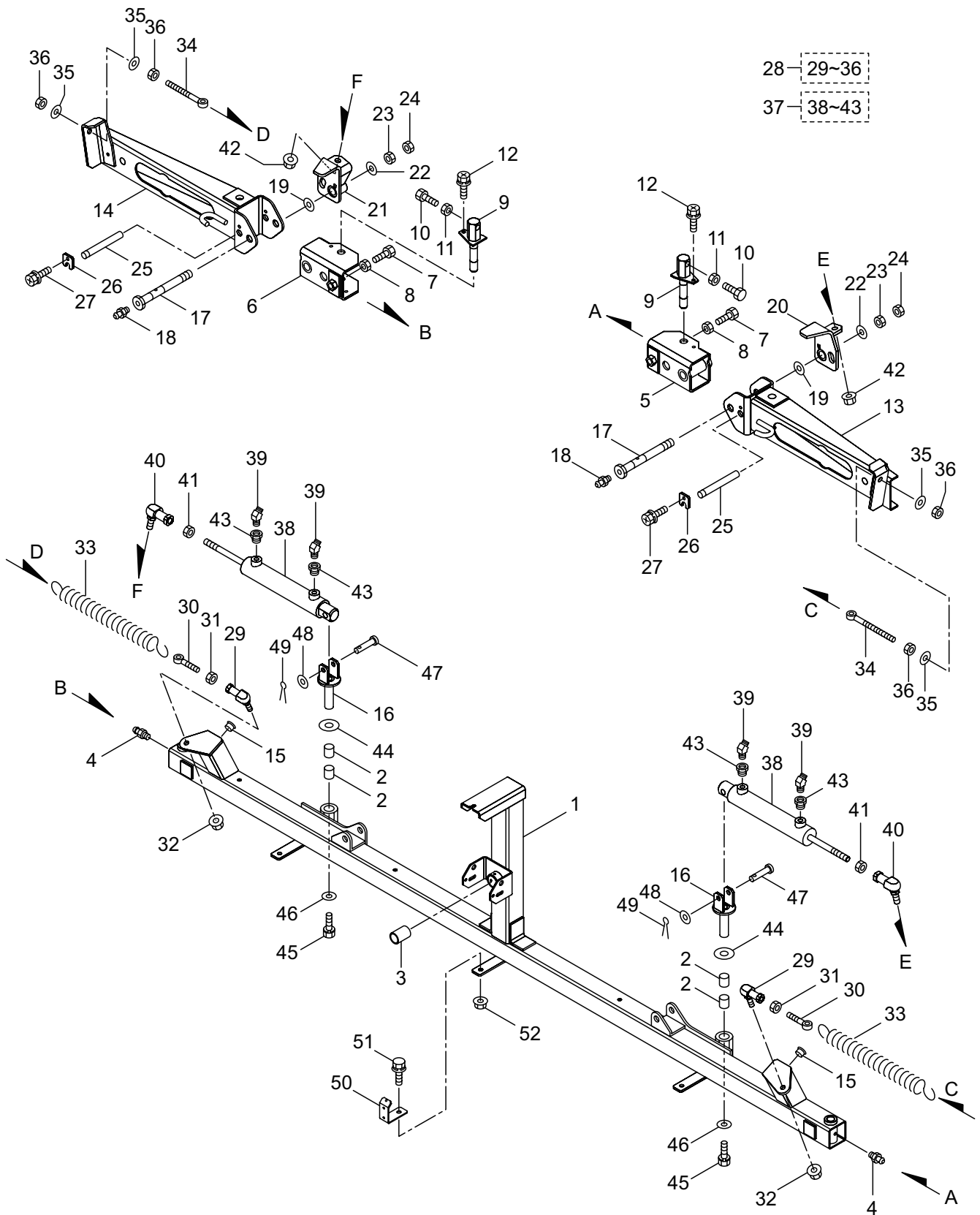
48. BSA-500JMQ
 AUTO LOCK



Ref. No.	Parts No.	Parts Name	Q'ty	Remarks
48-46	865990	Pull Cable	1	
48-47	210336	Clevis Pin	2	6X22L
48-48	127239	Washer	2	M6
48-49	014314	Split Pin	2	2X8
48-50	866111	Spring	1	

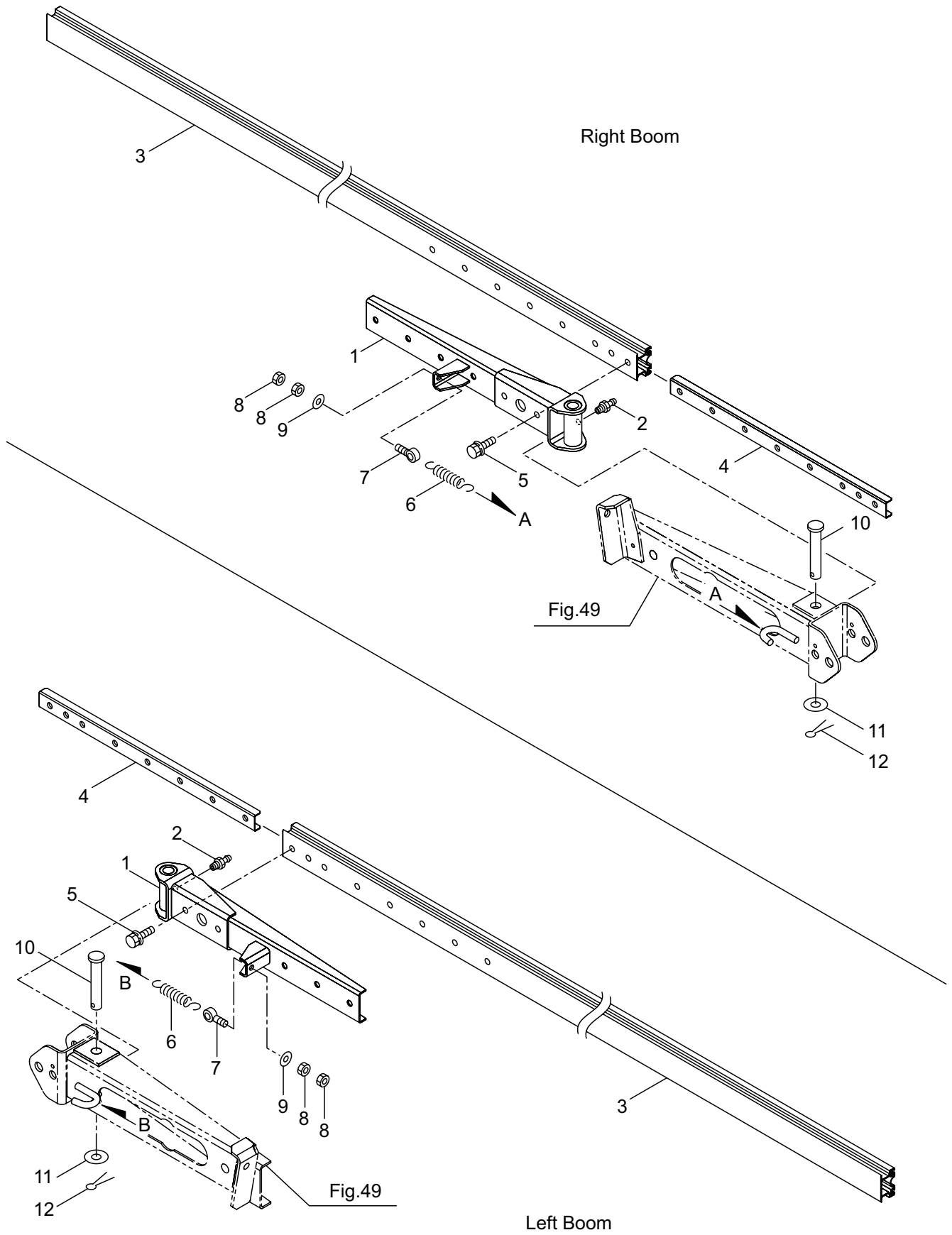
Ref. No.	Parts No.	Parts Name	Q'ty	Remarks
49-1	865693	Center Boom Ass'y	1	
49-2	865710	Bush	4	
49-3	865967	Bush	1	
49-4	069553	Grease Nipple	2	A-MT6X1
49-5	865711	Bracket	1	
49-6	865716	Bracket	1	
49-7	080428	Bolt	2	M12X35
49-8	081062	Nut	2	M12
49-9	865718	Shaft	2	
49-10	080428	Bolt	2	M12X50
49-11	081062	Nut	2	M12
49-12	817004	Bolt	2	M6X12(SM)
49-13	865721	Bracket	1	
49-14	865726	Bracket	1	
49-15	682416	Hole Plug	2	
49-16	865746	Shaft	2	
49-17	865729	Shaft	2	
49-18	069553	Grease Nipple	2	A-MT6X1
49-19	022901	Washer	2	M16
49-20	865730	Lever	1	
49-21	865734	Lever	1	
49-22	148216	Washer	2	16.5X35XT4.5
49-23	081083	Nut	2	M16
49-24	081082	Nut	2	M16
49-25	865737	Shaft	2	
49-26	688906	Plate	2	
49-27	817004	Bolt	2	M6X12(SM)
49-28	865738	Assist Spring Ass'y	2	Incl.29-36
49-29	865739	Rod End	2	BL10D THK
49-30	865740	Eye Bolt	2	M10X1.25X50X30
49-31	081046	Nut	2	M10X1.25
49-32	861752	Nut	2	M10X1.25
49-33	190034	Spring	2	
49-34	865741	Eye Bolt	2	M10X100X80
49-35	013849	Washer	4	M10
49-36	127433	Nut	4	M10
49-37	865742	Cylinder Ass'y	2	Incl.38-43
49-38	865743	Cylinder	2	30X12X150
49-39	536922	45-Elbow	4	
49-40	865745	Rod End	2	
49-41	081055	Nut	2	M12X1.25
49-42	686308	Nut	2	M12X1.25
49-43	866118	Orifice	4	R1/4XRC1/8-0.7
49-44	865750	Washer	2	
49-45	182542	Bolt	2	M10X20

49. BSA-500JMQ
CENTER BOOM



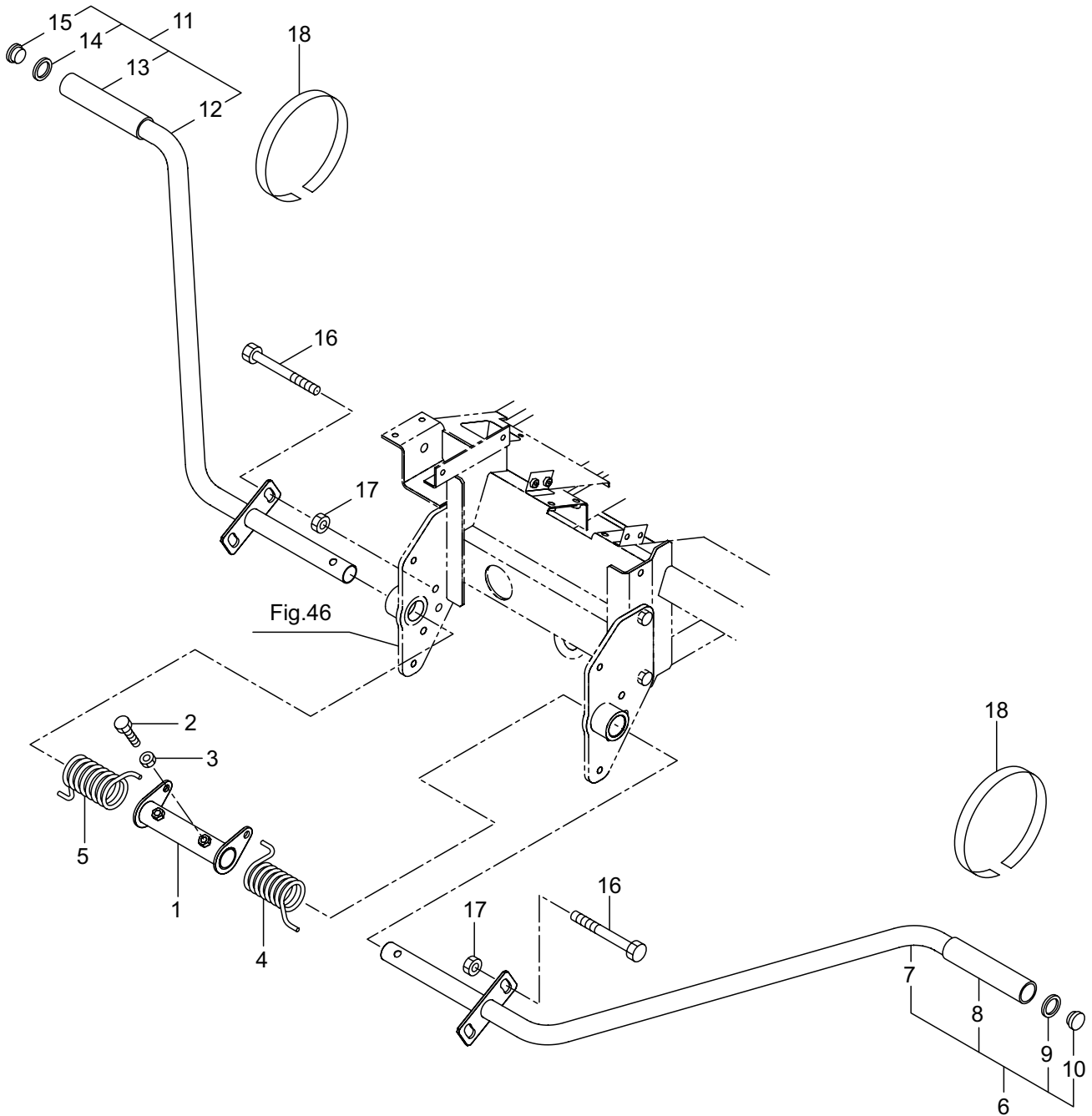
Ref. No.	Parts No.	Parts Name	Q'ty	Remarks
49-46	040203	Washer	2	10.5X30XT3.2
49-47	865751	Shaft	2	
49-48	013849	Washer	2	M10
49-49	014314	Split Pin	2	2X18
49-50	866110	Stay	1	
49-51	126763	Bolt	1	M8X20(SM)
49-52	126201	Nut	1	M8

50. BSA-500JMQ
SIDE BOOM



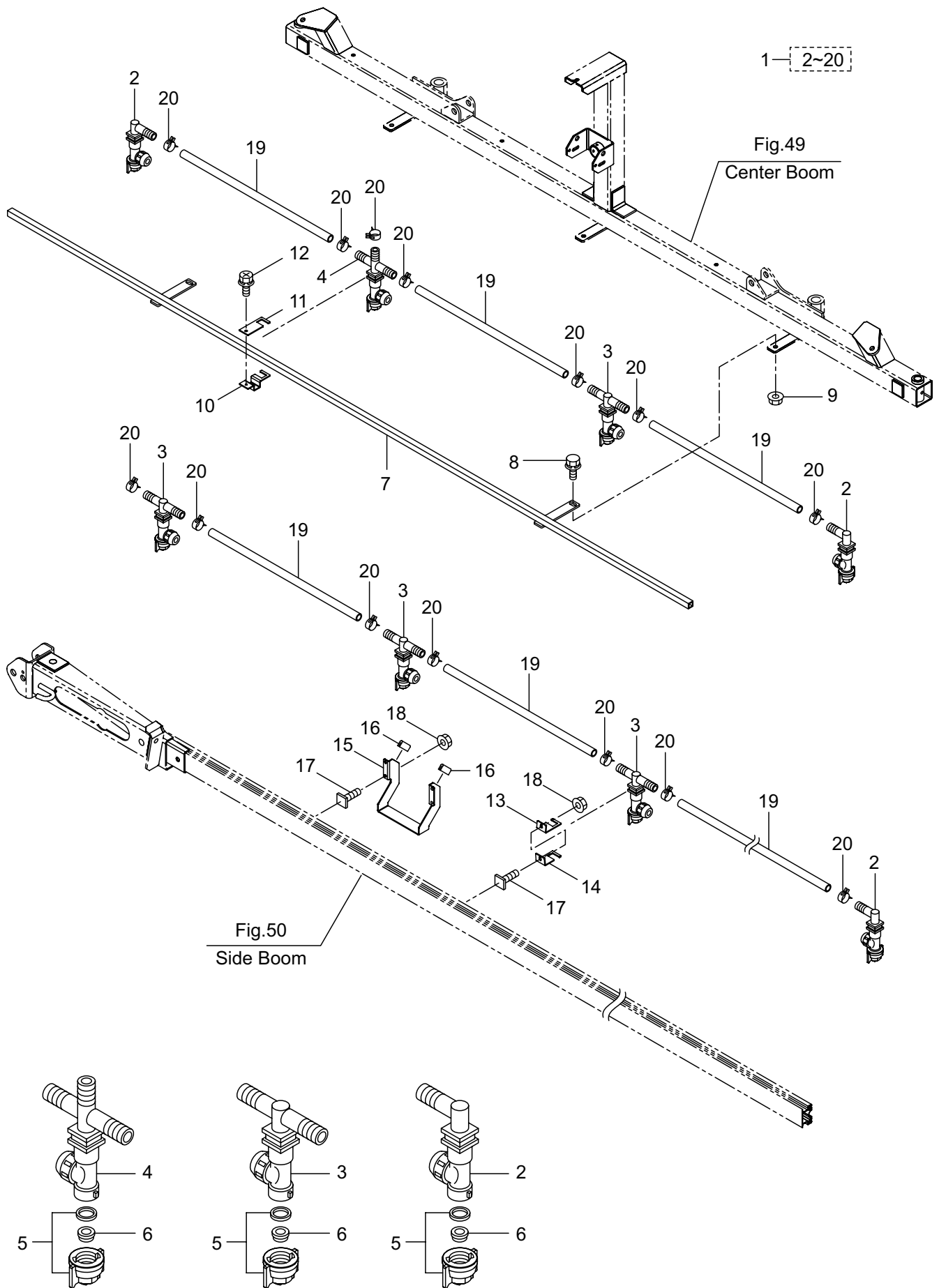
Ref. No.	Parts No.	Parts Name	Q'ty	Remarks
50-1	865675	Bracket	2	
50-2	069553	Grease Nipple	2	A-MT6X1
50-3	865681	Boom Pipe	2	3740L
50-4	865682	Bracket	2	
50-5	126763	Bolt	16	M8X20(SM)
50-6	143739	Spring	2	
50-7	141969	Eye Bolt	2	
50-8	126990	Nut	4	M8
50-9	127216	Washer	2	M8
50-10	865688	Pin	2	
50-11	022901	Washer	2	M16
50-12	014735	Split Pin	2	3X28

51. BSA-500JMQ
BOOM STAND



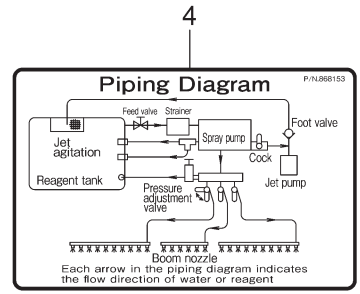
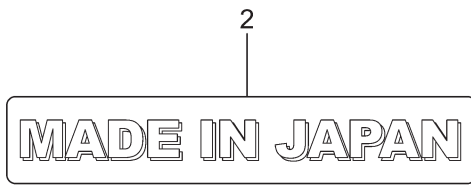
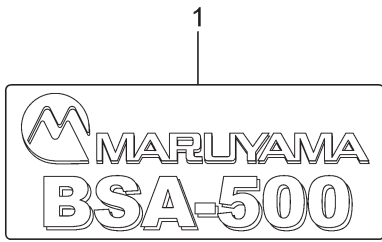
Ref. No.	Parts No.	Parts Name	Q'ty	Remarks
51-1	865839	Pipe	1	
51-2	080317	Bolt	2	M10X55
51-3	127433	Nut	2	M10
51-4	865842	Spring	1	
51-5	865843	Spring	1	
51-6	865844	Boom Stand Ass'y(L)	1	Incl.7-10
51-7	865845	Pipe	1	
51-8	197467	Hose	1	32X3P
51-9	126592	Washer	1	30X40XT1.2
51-10	197466	Cap	1	
51-11	865848	Boom Stand Ass'y(R)	1	Incl.12-15
51-12	865849	Pipe	1	
51-13	197467	Hose	1	32X3P
51-14	126592	Washer	1	30X40XT1.2
51-15	197466	Cap	1	
51-16	080444	Bolt	2	M12X55X30
51-17	081061	Nut	2	M12
51-18	863970	Magic Band	2	L8913L-20X600L

52. BSA-500JMQ
NOZZLE



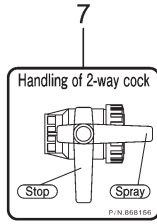
Ref. No.	Parts No.	Parts Name	Q'ty	Remarks
52-1	880314	Nozzle Ass'y	1	Incl.2-20
52-2	880019	Nozzle Holder	4	
52-3	880020	Nozzle Holder	15	
52-4	880021	Nozzle Holder	1	
52-5	880022	Cap	20	
52-6	880023	Nozzle	20	
52-7	880315	Square Pipe Comp.	1	
52-8	096036	Bolt	2	M8X25(SM)
52-9	126201	Nut	2	M8
52-10	880027	Nozzle Clamp	4	
52-11	880028	Nozzle Clamp	4	
52-12	195193	Bolt	4	M5X12
52-13	880318	Stay	16	
52-14	880319	Stay	16	
52-15	880320	Bracket	2	
52-16	860626	Edge Molding	4	30L
52-17	197263	Bolt(Square)	24	M5X12
52-18	107098	Nut	24	M5
52-19	881308	Hose	17	10X2SX490L
52-20	188773	Hose Band	37	

53. BSA-500JMQ LABEL

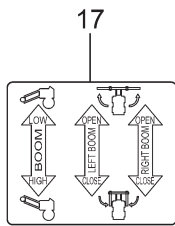
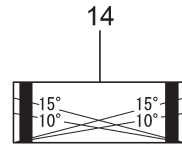
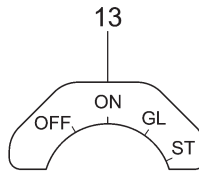
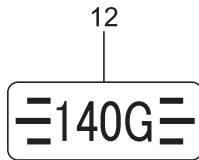
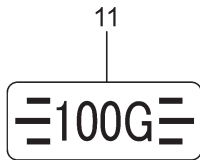
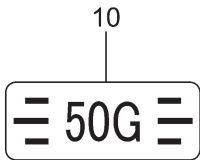
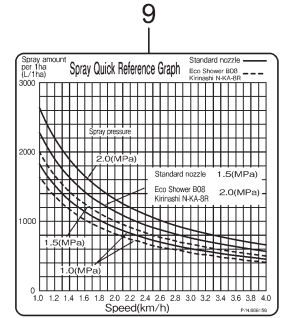


Maintenance List

No	Item	Applicable oil	Volume	Initial change (hours)	Periodic change (after every operation)
1	Fuel	Diesel oil	20L	-	-
2	Engine oil	SAE10W-30 RACING MOTOR OIL	2.5L	100	-
3	Oil tank	None	1.3L	200	-
4	Auxiliary transmission oil	Gear oil SAE 90	2.0L	50	-
5	Front/rear differential oil	SAE 90	1.0L	-	100
6	Spray pump, crank case	SAE10W-30 or better	0.6L	-	100
7	Spray pump, cylinder base metal	API SJ grade	3x5 Bps	-	See last item
8	Pressure regulator shaft	2x3 Bps	-	At start of work	At start of work
9	Each wire	Chassis grease	Appropriate amount	-	-
10	Brake pedal shaft	Chassis grease	20	20	-
11	Boom lift & gear/cable shaft	LLC	2.5L	-	See 2 item
12	Processor	HUMPS	-	-	-
13	Regulator fan	PCF	-	-	-
14	V-belt	LLC	-	-	-



5A	Warning lamp	20A	Options
15A	Fuel pump Stop solenoid	5A	Options
10A	Hour meter Alternator	30A	Main
10A	Forward solenoid Reverse solenoid	20A	Boom up/down
10A	Spray pump	20A	Spare
		30A	Spare

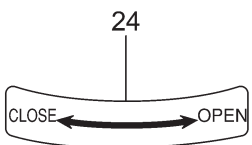


CAUTION

- Rise boom before extending.
- After spray return a boom to base lower it until reaching resting bar.

HOW TO USE PARKING BRAKE

- * STEP ON THE BRAKE AND HOOK THE LEVER WHEN PARKING.
- * STEP ON THE BRAKE PEDAL BEFORE MOVING.



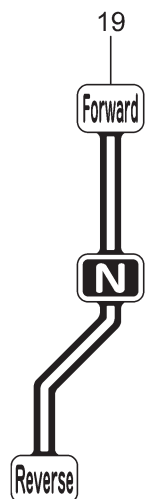
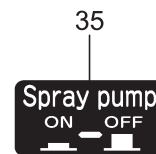
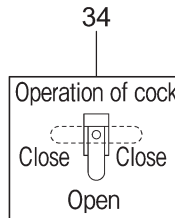
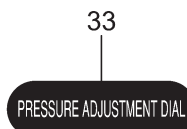
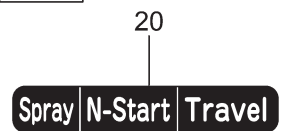
CAUTION

- DO NOT PUT PERSON OR STUFF ON THE BOOM.
- DO NOT HOOK ROPE WITH BOOM.

CAUTION

PLEASE MOVE BOOM OPERATION LEVER SLOWLY.

WHEN YOU FIX VEICHLE ON CONTAINER, OR TAUCK, DO NOT FASTEN WIRE POPE NOT MOER THAN 500kg.



Ref. No.	Parts No.	Parts Name	Q'ty	Remarks
53-1	880279	Label	2	
53-2	880298	Label	2	
53-3	150651	Reflector	2	
53-4	868153	Label	1	
53-5	868154	Label	1	
53-6	868155	Label	1	
53-7	868156	Label	1	
53-8	868157	Label	1	
53-9	868158	Label	1	
53-10	880327	Label	1	
53-11	880328	Label	1	
53-12	880329	Label	1	
53-13	173916	Label	1	
53-14	685242	Label	1	
53-15	880286	Label	2	
53-16	860309	Label	1	
53-17	880325	Label	1	
53-18	880326	Label	1	
53-19	868151	Label	1	
53-20	868152	Label	1	
53-21	689948	Label	1	
53-22	689953	Label	1	
53-23	689957	Label	1	
53-24	864416	Label	1	
53-25	868164	Label	1	
53-26	868165	Label	1	
53-27	868166	Label	1	
53-28	(860305)	Label	1	
53-29	(860306)	Label	1	
53-30	(860307)	Label	1	
53-31	(860311)	Label	1	
53-32	(860312)	Label	1	
53-33	(862597)	Label	1	
53-34	868149	Label	1	
53-35	868150	Label	1	

54. BSA-500JMQ WARNING LABEL

1

CAUTION

The lock pin will be in lock position if boom is not fully extended.

P/N.689964

2

CAUTION

BE SURE TO STOP ENGINE AND TAKE OFF ENGINE KEY WHEN MAINTENANCE OR CLEANING.
BE SURE TO PUT COVER WHEN MAINTENANCE.

P/N.689964

3

CAUTION

DO NOT TOW THE MACHINE FROM SIDEWAY POSITION.
BE SURE TO TOW FROM THE FRONT OF THE MACHINE.

P/N.689965

4

CAUTION

- BE SURE TO RELEASE PARKING BRAKE BEFORE RUNNING.
- BE SURE TO SET PARKING BRAKE WHILE PARKING.

P/N.689966

5

CAUTION

- MAKE SURE THAT THE STEERING IS IN STRAIGHT POSITION WHEN USING THE DIFFERENTIAL GEAR LOCK
- DO NOT MAKE TURNS WHEN USING THE DIFFERENTIAL GEAR LOCK.

P/N.689967

6

WARNING

RUNNING ON A PUBLIC ROAD WITH THIS MACHINE IS STRICTLY PROHIBITED. BE SURE TO LOAD ON A TRUCK ETC FOR CONVEYANCE.

P/N.689969

7

CAUTION

- PLEASE OPERATE BOOM WHERE IS NO OTHER PERSON NEARBY.
- PLEASE OPERATE BOOM FROM DRIVING SEAT.

P/N.862596

8

CAUTION

No step!
High risk of falling or other injury/damage may occur.

P/N.868148

9

10

CAUTION

During operation do not put hands or any other object near moving parts. Serious injury may occur.

P/N.868146

11

WARNING

To avoid accident resulting in serious injury or death, do not operate machine on uneven terrain or on inclines of 15 degrees or more.

12

WARNING

DO NOT RE-CHARGE BATTERY WHEN THE LIQUID IS LOW FOR THE BATTERY MAY BE EXPLODE.

CAUTION

BE SURE TO TAKE OFF MINUS SIDE WHEN RE-CHARGING AND MAINTENANCE.

P/N.689960

13

WARNING

- DO NOT TAKE THE WATER DIRECTLY FROM DRINKING WATER SOURCE OR LAKE WHERE LIVING THINGS ARE BREEDING.
- PLEASE FORM A SPRAY PLAN SO THAT CHEMICAL DON'T REMAIN.

CAUTION

PLEASE READ THE INSTRUCTION MANUAL OF CHEMICAL CAREFULLY AND USE CORRECTLY.

P/N.689961

14

CAUTION

FLAMMABLE

USE GAS OIL.
BE SURE TO TURN OFF ENGINE WHEN REFUELING.

P/N.689962

15

WARNING

EXHAUST GAS ARE HARMFUL TO HUMAN BODY.
DO NOT OPERATE IN POOR AIR VENTILATION AREAS SUCH AS INSIDE BUILDING.

P/N.689963

16

CAUTION

PLEASE READ INSTRUCTION MANUAL BEFOREHAND FOR SAFETY OPERATION.

CAUTION

BE SURE TO STOP ENGINE AND PULL OUT KEY WHILE INSPECTION, ADJUSTMENT & CLEANING.

P/N.864418

17

CAUTION

Hot!

Touching here may cause burns.

P/N.868145

18

CAUTION

After depressing brake pedal, ensure the HST lever in "(N)Neutral" position before releasing brake pedal or sudden movement may occur creating a very dangerous situation.

P/N.868147

19

CAUTION

1. DO NOT OVER LOAD MAXIMUM CAPACITY. (FULL CHEMICAL TANK + OPTIONAL PARTS ETC.)
2. CAPACITY=1PERSON ONLY.
3. DO NOT MAKE SUDDEN TURNS IN HIGH SPEED.
4. MAKE SURE THAT THE GROUND IS SAFE FOR DRIVING THE MACHINE.
5. BE SURE TO STAY IN LOW SPEED WHEN OPERATING AND MOVING ON SLOPED AREA.
6. BE SURE TO USE ENGINE BRAKES WHEN GOING DOWN HILL.
7. BE SURE TO TURN THE ENGINE OFF AND PULL OUT THE KEY WHEN LEAVING THE DRIVER'S SEAT.
8. BE SURE TO SET PARKING BRAKES AND TIRE LOCKS WHEN PARKING.
9. STOP OPERATION IMMEDIATELY WHEN YOU FEEL ANY DANGER.

P/N.689958

20

WARNING

PLEASE WEAR PROTECTORS THAT FIT YOUR BODY. BE SURE TO WEAR PROTECTION CLOTHES, MASK, SAFETY GOGGLES, SAFETY GLOVES, AND BOOTS IN OPERATION.

BE SURE TO NOTE WHEN LOADING AND UNLOADING TO TRUCK.

1. BE SURE TO DO ON FLAT SPACE WITH ASSISTANT.
2. KEEP PERSONS AWAY FROM THE MACHINE.
3. STEP MUST HAVE ENOUGH STRENGTH, LENGTH, THICKNESS AND WITH ANTI-SLIP.
4. SLOP ANGLE MUST BE BELOW 15°.
5. LOAD AND UNLOAD SLOWLY WITH EMPTY CHEMICAL TANK.
6. AFTER LOADING ON TRUCK, STOP ENGINE, PLACE PARKING BRAKE AND HOOK ROPE FOR DESIGNATED PART FIX POSITION.

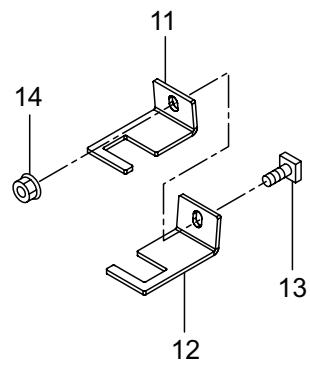
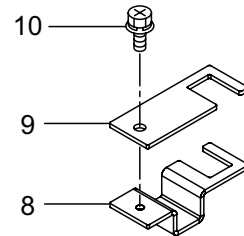
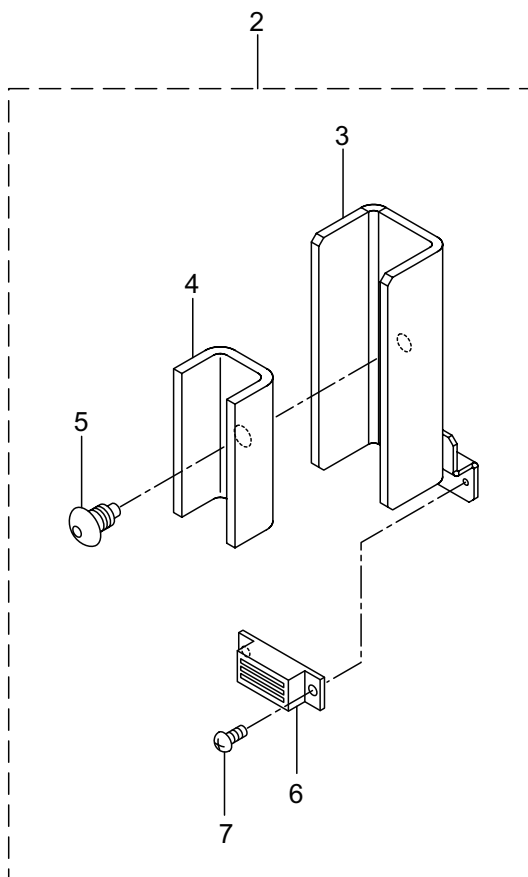
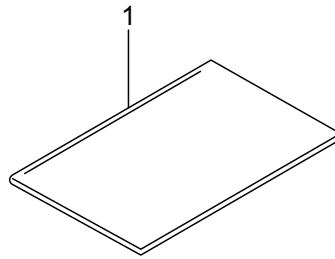
BE SURE TO NOTE WHEN ENTERING FIELD.

1. ENTER SLOWLY, AND STRAIGHT TO THE SLOPE.
2. NEVER ENTER SLANTED TO THE SLOPE.
3. SET SLOPE WITHIN 15° TO THE GROUND, USE ROCK, CONCRETE ETC WHEN THE GROUND IS SOFT.

P/N.864412

Ref. No.	Parts No.	Parts Name	Q'ty	Remarks
54-1	880324	Label	1	
54-2	689964	Label	1	
54-3	689965	Label	1	
54-4	689966	Label	1	
54-5	689967	Label	1	
54-6	689969	Label	1	
54-7	868163	Label	1	
54-8	868148	Label	2	
54-9	866073	Label	1	
54-10	868146	Label	1	
54-11	869750	Label	1	
54-12	689960	Label	1	
54-13	689961	Label	1	
54-14	689962	Label	1	
54-15	689963	Label	1	
54-16	864418	Label	1	
54-17	868145	Label	1	
54-18	868147	Label	1	
54-19	689958	Label	1	
54-20	864412	Label	1	

55. BSA-500JMQ
ACCESSORIES



Ref. No.	Parts No.	Parts Name	Q'ty	Remarks
55-1	880041	Instruction Manual	1	BSA-500-2.0(USA)
55-2	869853	Cylinder Stopper Ass'y	1	Incl.3-7
55-3	869854	Bracket	1	
55-4	869850	Packing	1	
55-5	862820	Clip	1	
55-6	182984	Magnet Catch	1	
55-7	866558	Screw	2	M3X6
55-8	880027	Nozzle Clamp	3	
55-9	880028	Nozzle Clamp	3	
55-10	195193	Bolt	3	M5X12
55-11	880318	Stay	10	
55-12	880319	Stay	10	
55-13	197263	Bolt(Square)	10	M5X12
55-14	107098	Nut	10	M5