

# PARTS LIST

BL85

## CONTENTS

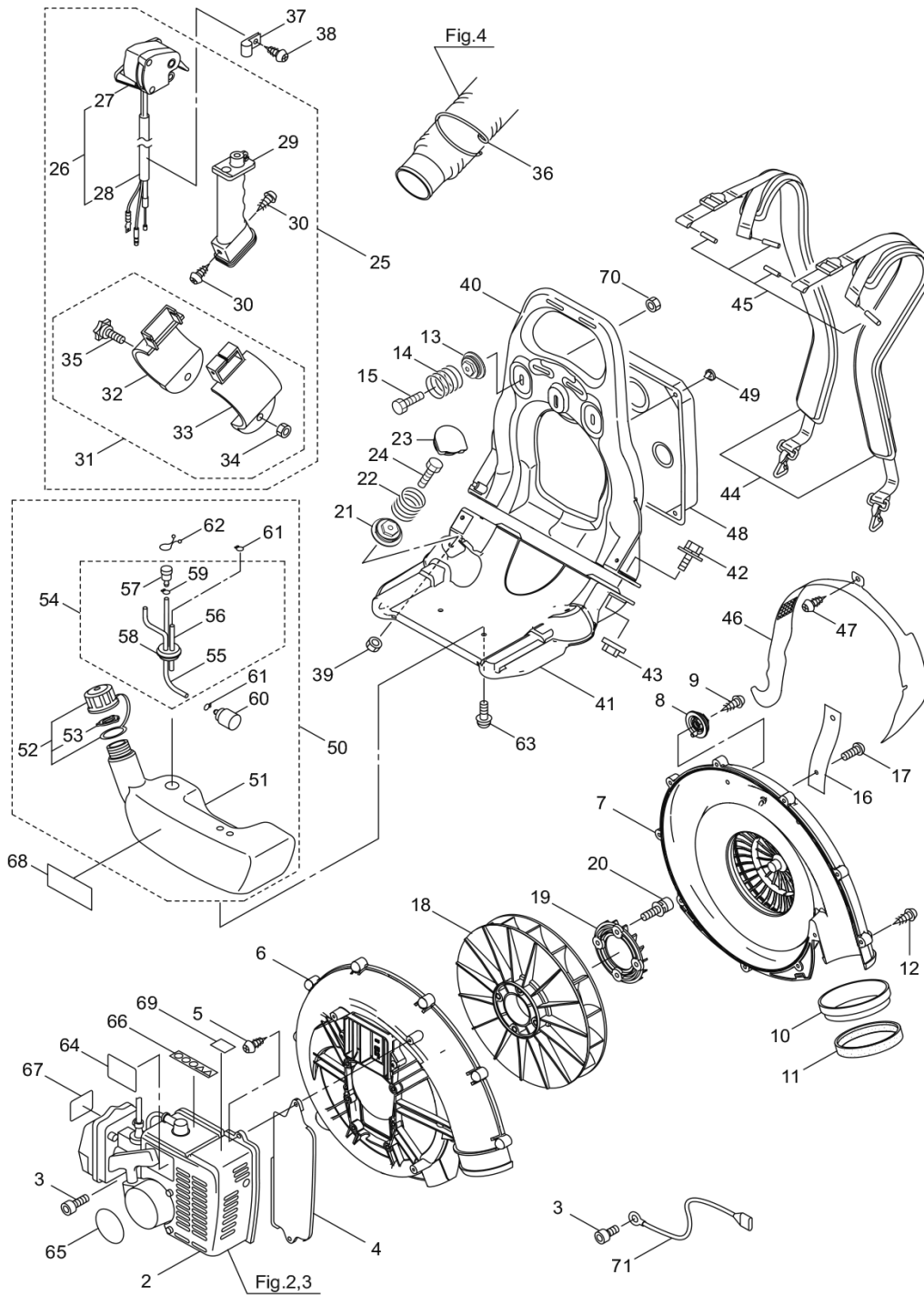
1. FRAME & BLOWER .....	1 ~ 4
2. ENGINE (CYLINDER, CRANKCASE) .....	5 ~ 8
3. ENGINE (CARBURETOR, MUFFLER) .....	9 ~ 12
4. ACCESSORIES, OPTIONAL PARTS .....	13 ~ 14

2013. 01.



P/N 523544

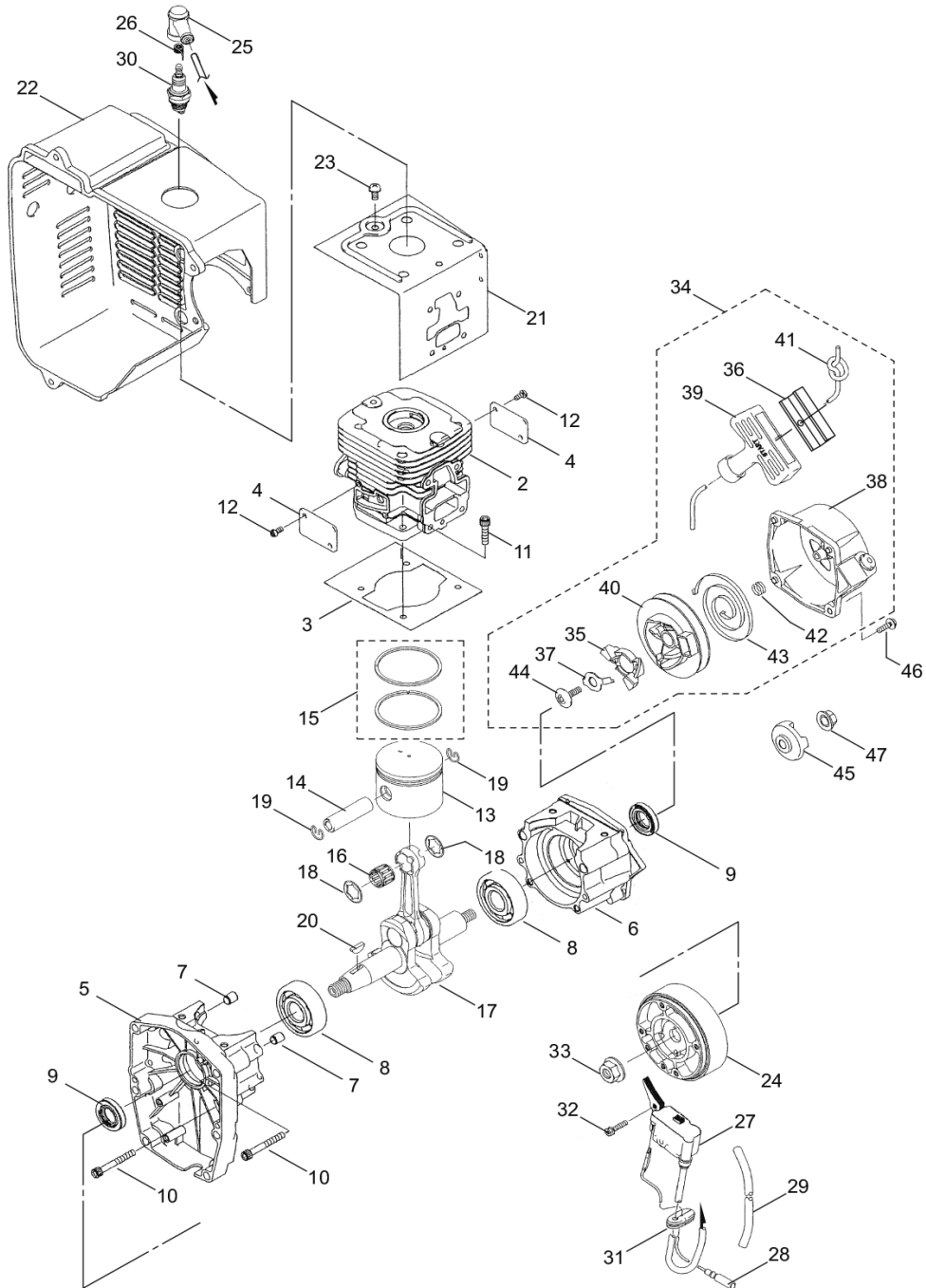
1. BL85  
FRAME & BLOWER



Status	Position	Parts Number	Parts Name	Unit Quantity	Set Unit Quantity	Specification	Remarks	Maker code
	1	395829	BL85(MUS)	1				
	2	128907	ENGINE TK065D-CG22	1		TK065D-CG22	TK065D-CG22	
	3	128142	BOLT	6		M6X30	M6x30	
	4	125404	GASKET	1		TK65ヨウ		
	5	127295	SCREW(+)	3	10	トラスM5X16(Pタイプ)	M5x16(P-type)	
	6	125405	FANCASE E ASSY	1				
	7	131508	FAN CASE(F-SIDE)	1		BL85/BL55		
	8	131512	PLUG(A)	2		クワ BL85		
	9	131523	TAPPING SCREW	2		ハ イント 2シユ 5X20	M5x20	
	10	119160	COLLAR	1		シヨ(ナチヨナル)		
	11	119161	BAND	1				
	12	129618	SCREW	10	10	ナヘ 2シユM5X25/ソサート	M5x25	
	13	131512	PLUG(A)	2		クワ BL85		
	14	131514	SPRING	2		2.5-34L		
	15	082105	BOLT M6X25	2	5	M6X25	M6x25	
	16	131516	STRAP	1		BL85 クワ		
	17	127238	SCREW	1	10	M6X13(SMタイプ)	M6x13	
	18	128908	FAN	1		ナチヨナル		
	19	128910	PLATE FAN	1		M6ヨウ		
	20	128911	BOLT	4		M6X40(W12XT2)	M6x40(W12xT2)	
	21	131512	PLUG(A)	2		クワ BL85		
	22	131514	SPRING	2		2.5-34L		
	23	131571	PLUG(B)	2		グ レー BL85		
	24	082105	BOLT M6X25	2	5	M6X25	M6x25	
	25	125755	THROTTLE ASSY	1			Incl.26-35	
	26	125782	THROTTLE LEVER ASSY	1		スターテング	Incl.27,28	
	27	125756	THROTTLE	1		スターテング		
	28	125757	THROTTLE CABLE ASSY	1		スターテング		
	29	118811	HOLDER ARM	1		クワ		
	30	127297	SCREW	2	10	ナヘ 1シユ M5X20	M5x20	
	31	122609	BAND	1			Incl.32-35	
	32	122414	HOLDER (A)	1		クワ		
	33	122416	HOLDER (B)	1		クワ		
	34	127298	NUT M6	1	5	M6 2シユ	M6	
	35	127299	BOLT	1		M6X30L	M6x30	
	36	128924	CLAMP	1		BL8200		
	37	126049	CLAMP	1		リチヨセイ N6B クワ		
	38	127300	SCREW	1		ナヘ 1シユ M5X18	M5x18	
	39	127228	NUT	2	10	M6(ザ ガ ネイ18)	M6	
	40	130766	BACKPACK FRAME A	1		クワ		
	41	125429	BACK PACK FRAME B	1		クワ		
	42	127301	SCREW	4	5	M6X20(SM)	M6x20(SM)	
	43	127228	NUT	4	10	M6(ザ ガ ネイ18)	M6	
	44	130036	SHOULDER STRAP ASSY	1		クワ		
	45	125717	SHAFT	4		ナチヨナル		
	46	131374	SHEET	1				
	47	127786	SCREW TAPPING	1		トラス1シユ M5X12	M5x12	
×	48	130221	CUSHION PAD	1		DUSTER		
	49	100749	FASTNER	4	5	ヨビ 7	#7	
	50	131498	FUEL TANK ASSY	1		エハ ボ	Incl.51-62	
	51	131493	FUEL TANK	1		シヨ2012エハ ボ タリウ		
	52	289046	TANK CAP ASSY	1			Incl.53	
	53	287058	GASKET	1				
	54	131292	FUEL TUBE	1		EVAPO	Incl.55-59	
	55	131291	PIPE	1				

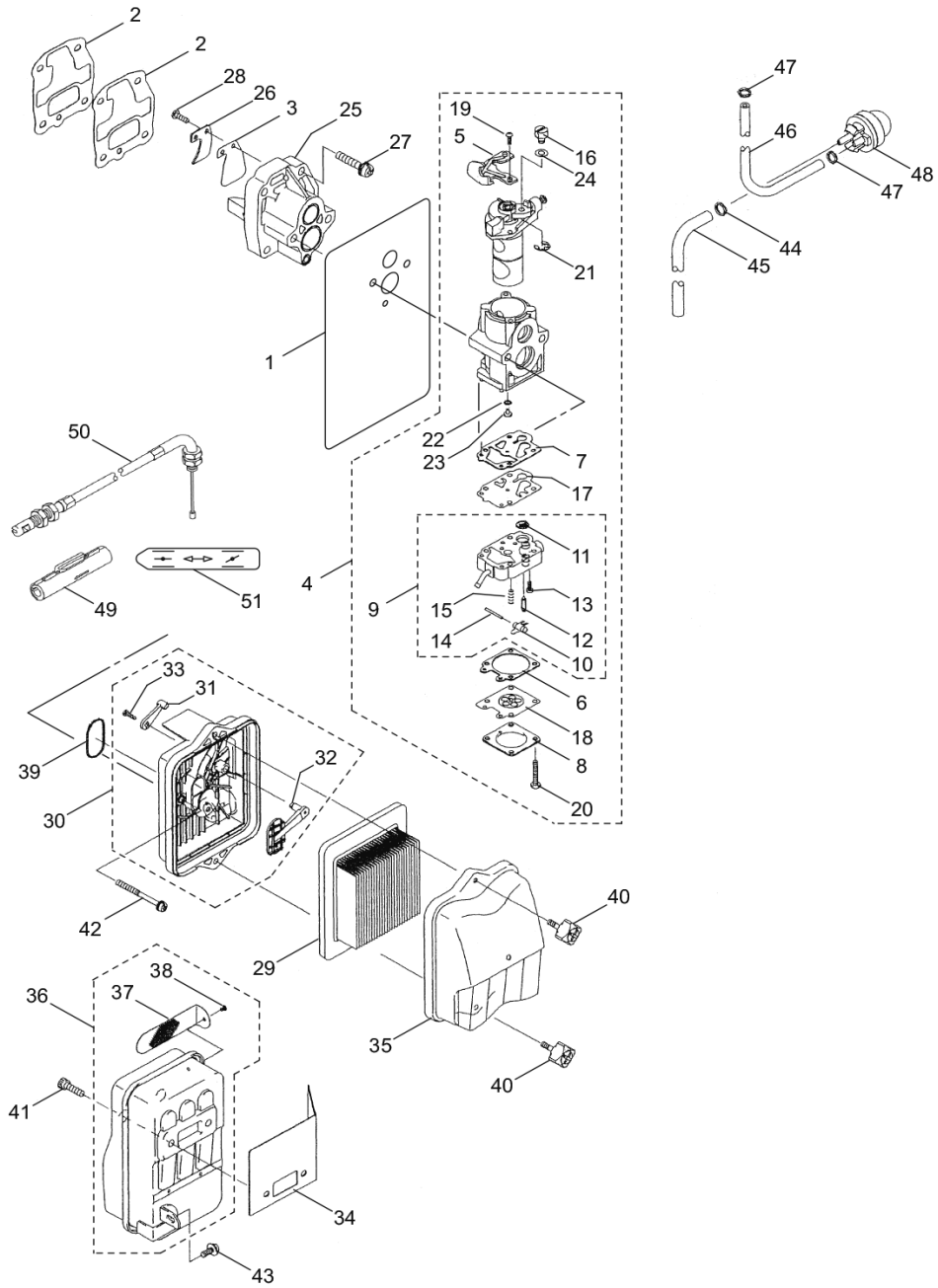
Status	Position	Parts Number	Parts Name	Unit Quantity	Set Unit Quantity	Specification	Remarks	Maker code
	56	131290	OVER FLOW PIPE	1		220L		
	57	261590	BREATHER SUB ASSY	1				
	58	268065	GROMMET	1		37+		
	59	261117	CLIP	2				
	60	267328	FUEL FILTER ASSY	1		125-532		
	61	261117	CLIP	1				
	62	131328	CLAMP	1		OLS-115		
	63	125561	SCREW	2	5	M5X14(W16XT1.6)	M5x14	
	64	131518	LABEL	1		BL85	BL85	
	65	130600	LABEL	1		ケイ70		
	66	266959	LABEL	1		CEコーション	Caution	
	67	125747	SEAL	1		ノイズ		
	68	121132	LABEL	1		チヨウイマーク	Caution	
	69	285188	LABEL	1		CAスハ <sup>+</sup> ケアレスタイコク		
	70	127228	NUT	2	10	M6(サ <sup>+</sup> カ <sup>+</sup> ネイ18)	M6	
	71	108634	EARTH CORD	1		AVS0.5BX120	AVS0.5Bx120	

## 2. BL85 ENGINE CYLINDER, CRANKCASE



Status	Position	Parts Number	Parts Name	Unit Quantity	Set Unit Quantity	Specification	Remarks	Maker code
	1	128907	ENGINE TK065D-CG22	1		TK065D-CG22	TK065D-CG22	
	2	649312	CYLINDER	1				11005-0609
	3	649313	GASKET	1				11061-0836
	4	649314	PLATE	2				13271-2258
	5	414427	CRANK CASE	1				14080-2072
	6	414428	CRANK CASE	1				14080-2073
	7	573908	PIN	2	5			92043-1302
	8	649317	BEARING	2			6303C3	92045-0741
	9	414429	OIL SEAL	2			17x30x7	92049-2281
	10	414431	BOLT 5X40	4			5x40	120CB0540
	11	414430	BOLT	4			5x20	120CB0520
	12	410897	SCREW	4			4x8	214AA0408
	13	649321	PISTON	1				13001-2163
	14	649322	PISTON PIN	1				13002-2093
	15	649323	PISTON RING SET	1				13008-6078
	16	649325	NEEDLE BEARING 13033-2063	1				13033-2063
	17	414432	CRANK SHAFT ASSY	1				49119-2244
	18	414433	SPACER	2			11.2x18.5x0.9	92026-2362
	19	943307	SNAP RING	2	5			92033-2058
	20	071695	KEY	1				510A3200
	21	649329	SHROUD	1				49089-0788
	22	400923	SHROUD	1				49089-0789
	23	414435	SCREW	1			5x10	241AA0510
	24	414436	FLYWHEEL	1				21050-2325
	25	591532	PLUG CAP	1				21130-2056
	26	591533	SPRING	1	5			92101-001
	27	649331	IGNITION COIL ASSY	1				21171-2244
	28	649332	LEAD WIRE	1				26011-2379
	29	998411	TUBE	1	5		6x7.4x300L	92059-2233
	30	649333	PLUG	1			BPMR7A	92070-2113
	31	649334	GROMMET	1				92071-2164
	32	649335	BOLT	2			4x20	92153-2079
	33	649336	NUT	1			M10	92210-1325
	34	400921	RECOIL ASSY	1			Incl.35-44	49088-2557
	35	649370	PAWL	1				13165-2101
	36	400919	PLATE	1				13183-2007
	37	649371	RETAINER	1				14020-2113
	38	649372	RECOILE HOUSING	1				32099-2400
	39	400920	GRIP	1				46075-2157
	40	649376	RECOIL REEL	1				59101-2117
	41	649377	ROPE	1			3.5x1000	59106-2174
	42	649378	SPRING	1				92145-2142
	43	400922	SPRING	1				92145-2159
	44	649380	SCREW	1				92172-2083
	45	649374	STARTING PULLEY	1				49080-2198
	46	624845	SCREW	4	5		M4x16	92009-2386
	47	649381	NUT	1				92210-2094

3. BL85 ENGINE  
CARBURETOR, MUFFLER

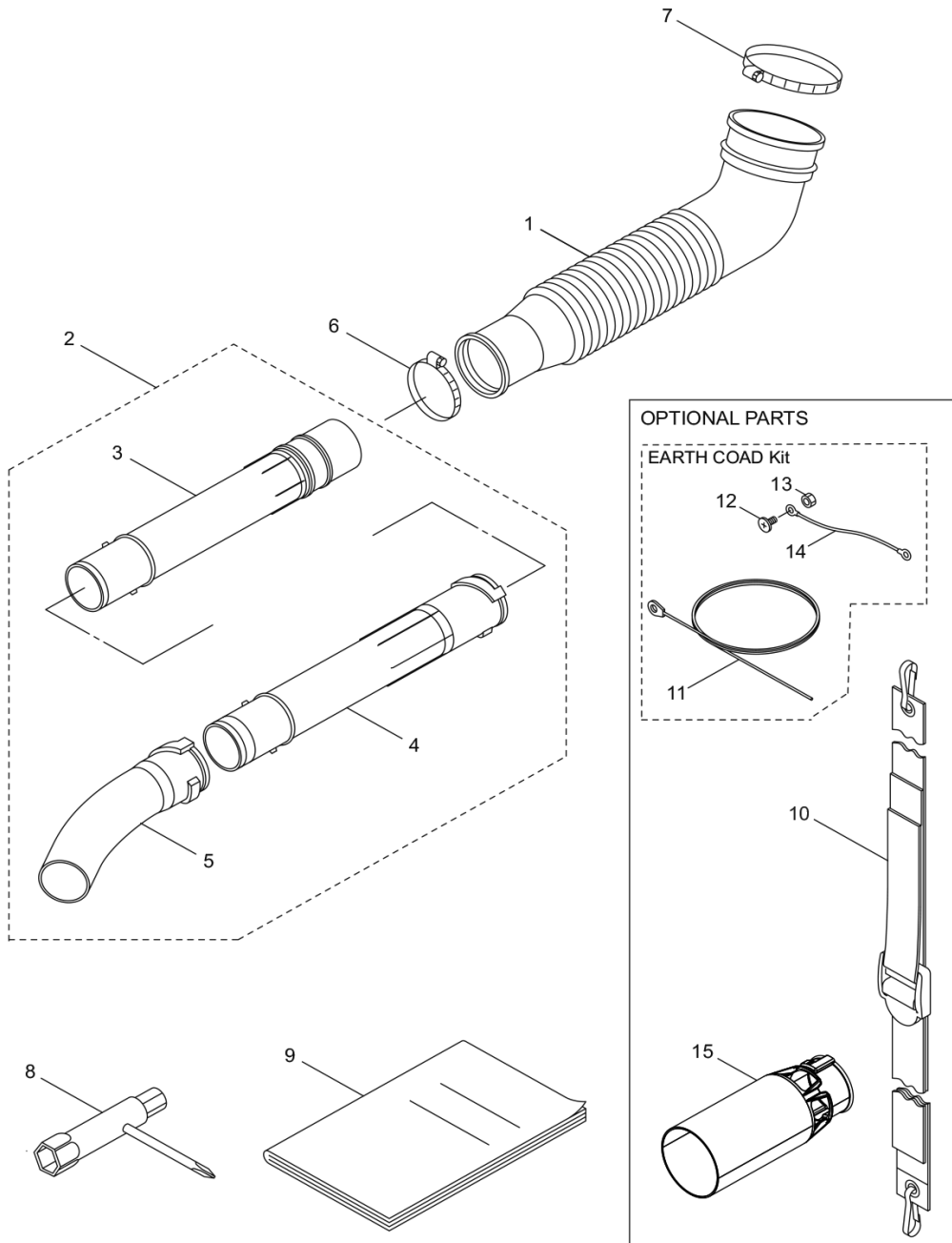


Status	Position	Parts Number	Parts Name	Unit Quantity	Set Unit Quantity	Specification	Remarks	Maker code
--------	----------	--------------	------------	---------------	-------------------	---------------	---------	------------

Status	Position	Parts Number	Parts Name	Unit Quantity	Set Unit Quantity	Specification	Remarks	Maker code
	1	412446	GASKET	1				11061-2183
	2	400925	GASKET	2				11061-0986
	3	649342	REED	1				12022-2059
	4	649344	CARBURETOR ASSY	1			Incl.5-24	15004-0809
	5	649338	BRACKET	1				11053-2066
	6	649339	GASKET	1				11060-2456
	7	634350	GASKET	1				11061-2054
	8	649343	COVER	1				14025-2157
	9	649346	BODY	1			Incl.10-15	16160-2138
	10	624429	LEVER	1				16055-2051
	11	624430	FILTER	1				14043-2051
	12	624431	FLOAT	1				16030-2078
	13	624432	SCREW	1				92009-2336
	14	624433	PIN	1				92043-2094
	15	624434	SPRING	1				92144-2308
	16	598415	ARM	1				21083-2073
	17	577185	DIAPHRAGM	1		43028-2067		43028-2067
	18	634357	DIAPHRAGM	1				43028-2090
	19	577179	SCREW	2				92009-2277
	20	649348	SCREW	4				92009-2438
	21	577175	SNAP RING	1				92033-2078
	22	577182	O-RING	1		92055-2147		92055-2147
	23	649349	MAIN JET	1			#55.5	92063-2461
	24	624532	WASHER	1				92200-2074
	25	400926	INSULATOR	1				16073-2234
	26	649347	STOPPER	1				32085-2105
	27	577361	SCREW	4	5		M5x25	92009-2235
	28	649350	SCREW	1	10		M3x12	92172-2091
	29	649351	ELEMENT ASSY	1				11029-0015
	30	414447	FILTER COVER ASSY	1			Incl.31-33	11038-2097
	31	649355	LEVER	1				13168-2493
	32	649356	MACHINED DISC	1				16126-2240
	33	649358	SCREW	1			M3x10	92009-2359
	34	649353	GASKET	1				11061-0837
	35	649354	AIR FILTER COVER	1				11065-2116
	36	649357	MUFFLER ASSY	1			Incl.37,38	49069-0017
	37	400927	SPARK ARRESTER	1				18077-0032
	38	400918	SCREW	1				92009-2411
	39	649359	O-RING	1				92055-0762
	40	649360	BOLT	2			M5x18	92154-2054
	41	414450	BOLT	2	5		6x20	120CB0620
	42	414451	SCREW	2			5x55	234AA0555
	43	414452	SCREW	1	10		5x14	242AA0514
	44	649366	CLAMP	1	10			92171-2073
	45	649367	TUBE	1			3x6x145	92192-2205
	46	649368	TUBE2.3X5X93	1	5		2.3x5x93	92192-1755
	47	649365	CLAMP	2	10			92170-2110
	48	649363	PRIMING PART	1				49043-2074
	49	212250	CONNECTER	1		E/G7' 7		
	50	649337	THROTTLE CABLE	1				54012-2629
	51	598438	LABEL	1				56033-2091



4. BL85  
ACCESSORIES, OPTIONAL PARTS



Status	Position	Parts Number	Parts Name	Unit Quantity	Set Unit Quantity	Specification	Remarks	Maker code
	1	130170	FLEXIBLE PIPE	1		ク口		
	2	131519	PIPE ASSY	1			Incl.3-5	
	3	122395	SWIVEL PIPE	1		ク口		
	4	122400	STRAIGHT PIPE	1		510Lク口	370L	
	5	131520	BENT PIPE BL85	1		ク口		
	6	130207	CLAMP ASSY	1		ヨビ 85	#85	
	7	130208	CLAMP ASSY	1		ヨビ 105	#105	
	8	127099	BOX SPANNER	1		13X19X(+) <sup>ト</sup> ライバ		
	9	131322	INSTRUCTION MANUAL	1		BL55/85(MUS)	BL55	
	10	125439	HIP BELT ASSY	1				
	11	130785	EARTH CODE	1		1.0X1550L		
	12	119417	BOLT	1	5	M6		
	13	081241	HEX NUT	1	5	081240=トウイ	M6	
	14	127531	EARTH CORD	1		AVS0.5BX230XM6		
	15	131870	TORNADO TIP BLOWER NOZZLE	1				