

**MARUYAMA**

OWNER'S/OPERATOR'S MANUAL  
MANUEL DU PROPRIETAIRE/DE L'UTILISATEUR  
MANUAL DEL PROPIETARIO U OPERADOR

**BL55/BL85**  
**BACKPACK BLOWER**  
**SOUFFLEUSE À DOS**  
**Sopladora de Cargar a la Espalda**



*Premium Outdoor Power Equipment*  **MARUYAMA** *Extraordinary.*

Completely read and understand this manual prior to using this product.

Lisez et assimilez la totalité de ce manuel avant d'utiliser cet appareil.

Lea y entienda este manual a fondo, antes de usar este aparato.

# TABLE OF CONTENTS

Foreword .....	1	Before operation.....	8
Safety symbols .....	1	Operating instructions .....	11
Warranty .....	2	Regular maintenance.....	13
Safety instructions.....	4	Storage .....	14
Specifications .....	7	Emission control information.....	15
Assembly instructions .....	7		

## FOREWORD

This Owner's/Operator's Manual is designed to familiarize the operator with the various features and component parts of the equipment and to assist you with the assembly, operation and maintenance of your new Backpack Blower.

**It is essential that any operator of this Backpack Blower product reads and understands the contents of this manual before using the Backpack Blower.**

Important safety instructions will be identified by the following safety symbol:



Failure to comply with the instructions in this manual may result in serious injury or death.

For additional assistance, contact any local authorized Maruyama dealer or Maruyama U.S., Inc., 4770 Mercantile Drive, suite100, Fort Worth, TX 76137 U.S.A.

phone : 940-383-7400

web : [www.maruyama-us.com](http://www.maruyama-us.com)

## MANUAL SAFETY SYMBOLS

Throughout this manual and on the product itself, you will find safety alerts and helpful, information message preceded by symbols or key words. The following is an explanation of those symbols and key words and what they mean to you.



This symbol accompanied by the words **WARNING** and **DANGER** calls attention to an act or condition that can lead to serious personal injury to operator and bystanders.

### Warning label

- Always remove dirt or mud to make the indications legible.
- The following alarm labels are attached.

Alarm label



**Read Owner's/Operator's Manual thoroughly.**  
Make sure you read Owner's/Operator's Manual thoroughly prior to use.



**Prohibition of fire**  
Don't put a naked flame close to a place where supplying fuel or doing maintenance.



**Wear a protector.**  
Wear protectors such as hat, safety glasses, ear plugs during work.



**Cautions for exhaust gas.**  
Take care not to breathe in exhaust gas from the engine.



**Cautions for high temperatures**  
Muffler of engine, fin of cylinder, etc. are at high temperatures. Don't touch them.



## Limited Warranty Statement

All Maruyama commercial/ industrial products are warranted to the original purchaser to be free from defects in material and workmanship **from the date of purchase** for the time periods listed as follows:

**Lifetime** for inner drive shaft on trimmers and brushcutters and all ignition modules.

**5 years** for Commercial and Residential use.

**1 year** for Rental use.

All Maruyama engines and Kawasaki TK45/TK65 are covered exclusively for five years of industrial, commercial, institutional, and income producing use. These engines are warranted for one year of rental use.

This warranty will be in full effect provided the engine is operated for the initial 80 hour optimization period using Maruyama Premium 2-Cycle oil. After the optimization period the engine should always be run with either Maruyama Premium 2-Cycle oil or equivalent ISO-L-EGD & JASO FC 2-Cycle oil.

Any part of a Maruyama product found to be defective within the applicable warranty period shall, at Maruyama's option, be repaired or replaced without charge. Warranty consideration is obtained by delivering any Maruyama product believed to be defective to an Authorized Maruyama Servicing Dealer within the applicable warranty period.

The purchaser shall not be charged for diagnostic labor that leads to the determination that a warranted part is defective, if the diagnostic work is performed at a Maruyama Dealer.

Any warranted part which is not scheduled for replacement as required maintenance, or which is scheduled only for regular inspection to the effect of "repair or replace as necessary" shall be warranted for the warranty period. Any warranted part, which is scheduled for replacement as, required maintenance shall be warranted for the period of time up to the first scheduled replacement point for that part.

Maruyama Mfg. Co., Inc. is liable for damages to other engine components caused by the failure of a warranted part still under warranty.

The purchaser is responsible for the performance of the required maintenance, as defined by Maruyama Mfg. Co., Inc. in the Owner's/Operator's Manual.

**EMISSION-RELATED PARTS WARRANTY:** In addition to the above warranty coverage, Maruyama Mfg. Co., Inc. will repair or replace, free of charge, for the original purchaser and each subsequent purchaser any emission-related part or parts found to be defective in material and workmanship for two (2) years from original retail delivery date **except catalytic converter. Catalytic converter is warranted one year from original retail delivery date. Emission-related parts are the carburetor assembly, the ignition coil assembly, the ignition rotor, the spark plug, the catalytic converter and the fuel tank.** Any replacement part that is equivalent in performance and durability may be used in non-warranty maintenance or repairs, and shall not reduce the warranty obligations of Maruyama Mfg. Co., Inc.

### This warranty does not cover the following:

1. Maintenance items (excluding defects in materials and workmanship) including hoses, spark plugs, starter rope, air and fuel filters, clutch shoes, vibration isolators, throttle cables and all cutting attachments, etc.
2. Extra expenses including shipping and handling, travel, payment for lost time or pay and for any inconvenience and storage.
3. Alterations or modifications including aftermarket parts not authorized by Maruyama U.S., Inc.
4. Wear, accident, abuse, neglect, misuse, negligence, improper fuels, lubricants, fuel mixtures (when applicable), or failure to operate or maintain the product in accordance with instructions approved by Maruyama, repair or replacement as provided under this warranty is the exclusive remedy of the consumer.

Maruyama shall not be liable for any incidental or consequential damages for breach of any express or implied warranty on these products except to the extent prohibited by applicable law. Any implied warranty of merchantability or fitness for a particular purpose on these products is limited in duration to the warranty period as defined in the limited warranty statement. Maruyama reserves the rights to change or improve the design of the product without notice and does not assume obligation to update previously manufactured products.

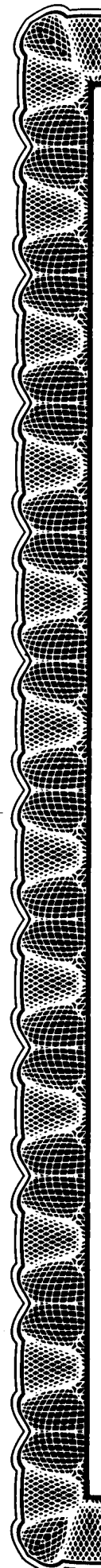
This warranty provides you with specific legal rights, which may vary from state to state.

It is the Owner's and Dealer's responsibility to make sure the Warranty Registration Card is properly filled out and mailed to Maruyama U.S., Inc. Proof of purchase and registration will be required in order to obtain warranty service.

To locate an Authorized Maruyama Servicing Dealer nearest you, contact:

**Maruyama U.S., Inc.**  
**4770 Mercantile Drive, suite100,**  
**Fort Worth, TX 76137 U.S.A.**  
**940-383-7400**  
**maruyama@maruyama-us.com**  
**www.maruyama-us.com**

**⚠ WARNING: ⚠**  
The engine exhaust from this product contains chemicals known to the State of California to cause cancer, birth defects or other reproductive harm.



## MARUYAMA LIMITED WARRANTY CALIFORNIA AND FEDERAL EMISSIONS CONTROL SYSTEMS SMALL OFF-ROAD ENGINES

The California Air Resources Board, the Environmental Protection Agency (EPA), and Maruyama, U.S. (hereinafter "Maruyama") are pleased to explain the Emissions Control Systems Warranty on your 2014 Maruyama small off-road engine. In California and other states, new small off-road engines must be designed, built and equipped to meet stringent anti-smog standards. Maruyama must warrant the emissions control system on your small off-road engine for the period of time listed below provided there has been no abuse, neglect or improper maintenance of your small off-road engine. Your emissions control system may include parts such as the carburetor or fuel-injection system, the ignition system, and catalytic converter. Also included may be hoses, belts, connectors and other emissions related assemblies. Where a warrantable condition exists, Maruyama will repair your small off-road engine at no cost to you including diagnosis, parts and labor.

### MANUFACTURER'S WARRANTY COVERAGE.

The 1995 and later small off-road engines are warranted for two years. If any emission-related part on your engine is defective, the part will be repaired or replaced by Maruyama Manufacturing Company, Inc.

### OWNER'S WARRANTY RESPONSIBILITIES.

- (a) As the small off-road engine owner, you are responsible for the performance of the required maintenance listed in your owner's manual. Maruyama recommends that you retain all receipts covering maintenance on your small off-road engine, but Maruyama cannot deny warranty solely for the lack of receipts or for your failure to ensure the performance of all scheduled maintenance.
- (b) As the small off-road engine owner, you should be aware, however, that Maruyama Manufacturing Company may deny you warranty coverage if your small off-road engine or a part has failed due to abuse, neglect, improper maintenance or unapproved modifications.
- (c) You are responsible for presenting your small off-road engine to a Maruyama Manufacturing Company, Inc. distribution center as soon as a problem exists. The warranty repairs should be completed in a reasonable amount of time, not to exceed 30 days.
- (d) If you have any questions regarding your warranty rights and responsibilities, you should contact Maruyama, U.S., INC., 4770 Mercantile Drive, suite 100, Fort Worth, TX 76137 U.S.A 1-866-783-7400, or [warranty@maruyama-us.com](mailto:warranty@maruyama-us.com).

**1. COVERAGE.** Maruyama warrants to the initial owner and each subsequent purchaser that the small off-road engine is free from defects in materials and workmanship which cause a failure of a warranted part for a period of two years. Maruyama is liable for damages to other engine components caused by the failure of a warranted part still under warranty. The 1995 and later small off-road engines are warranted for two years in California. In all other states, 1997 and later model year small off-road engines are warranted for two years. If any emissions-related part on your engine is defective, the part will be repaired or replaced by Maruyama. This warranty time period shall begin on the date the small off-road engine is delivered to the initial purchaser, or on the date the small off-road engine is first placed in service.

Warranty defects shall be remedied during customary business hours at any authorized Maruyama small off-road engine dealer located within the United States of America. Any manufacturer-approved replacement part may be used in the performance of any warranty maintenance or repairs on emissions-related parts, and must be provided without charge to the owner if the part is still under warranty. Any part or parts replaced under this warranty shall become the property of Maruyama.

The emissions related warranted parts are specifically defined by the California Air Resources Board's Emissions Warranty Parts List. (EPA's regulations do not include a parts list, but EPA considers emissions-related parts to include all parts listed here.) These warranted parts are: carburetor and internal parts, spark advance/retard system, cold start enrichment system, magneto or electronic ignition system, catalytic converter, intake manifold, exhaust manifold, air cleaner element, carbon canister, fuel tank, fuel tank cap, and spark plugs if failure occurs prior to the first required scheduled replacement, hoses, clamps, fittings, gaskets, sealing devices, mounting hardware and tubing used directly in these parts. Since emissions related parts may vary slightly from model to model, certain models may not contain all of these parts and certain models may contain functionally equivalent parts.

**2. LIMITATIONS.** This Emissions Control Systems Warranty shall not cover any of the following:

- (a) Repair or replacement required as a result of (i) misuse or neglect, (ii) lack of required maintenance, (iii) repairs improperly performed or replacements improperly installed, (iv) use of replacement parts or accessories not conforming to Maruyama specifications which adversely affect performance and/or durability, (v) alterations or modifications not recommended or approved in writing by Maruyama.
- (b) Replacement of parts and other services and adjustments necessary for required maintenance at and after the first scheduled replacement point.

CONTINUED

### 3. LIMITED LIABILITY.

- (a) The liability of Maruyama under this Emissions Control Systems Warranty is limited solely to the remedying of defects in materials or workmanship by any authorized Maruyama small off-road engine dealer at its place of business during customary business hours. This warranty does not cover inconvenience or loss of use of the small off-road engine or transportation of the small off-road engine to or from the Maruyama dealer. MARUYAMA SHALL NOT BE LIABLE FOR ANY OTHER EXPENCE, LOSS OR DAMAGE, EHETHER DIRECT, INCIDENTAL, CONSEQUENTIAL (EXCEPTION LISTED UNDER COVERAGE) OR EXEMPLARY ARISING IN CONNECTION WITH THE SALE OR USE OF OR INABILITY TO USE THE MARUYAMA SMALL OFF-ROAD ENGINE FOR ANY PURPOSE.
- (b) NO EXPRESS EMISSIONS CONTROL SYSTEMS WARRANTY IS GIVEN BY MARUYAMA WITH RESPECT TO THE MARUYAMA SMALL OFF-ROAD ENGINE EXCEPT AS SPECIFICALLY SET FORTH HEREIN. ANY MERCHANTABILITY OR FITNESS FOR A PARTICULAR PURPOSE, IS EXPRESSLY LIMITED TO THE EMISSIONS CONTROL SYSTEMS WARRANTY TERMS SET FORTH HEREIN. THE FOREGOING STATEMENTS OF WARRANTY ARE EXCLUSIVE AND IN LIEU OF ALL OTHER REMEDIES.
- (c) No dealer is authorized to modify this Maruyama Limited Emission Control Systems Warranty.
- (d) Maruyama is not liable for parts which are not genuine Maruyama parts except when genuine Maruyama parts cause damage to non-Maruyama parts.

**4. LEGAL RIGHTS.** THIS WARRANTY GIVES YOU SPECIFIC LEGAL RIGHTS, AND YOU MAY ALSO HAVE OTHER RIGHTS.

**5. THIS WARRANTY IS IN ADDITION TO THE MARUYAMA LIMITED SMALL OFF-ROAD ENGINE WARRANTY.**

#### Emission System Parts

Exhaust Emission  
Carburetor  
Muffler  
Catalytic Converter  
Ignition Coil / Magneto  
Spark Plug  
Air Filter  
EGR Valve (piston)  
Fuel Filter

Evaporative Emission  
Fuel Tank

1/1/2014



## WARNING



1. Read and understand this Owner's/Operator's Manual before using the power blower. Be thoroughly familiar with the proper use of the power blower.
2. Never allow children to operate the power blower. It is not a toy. Never allow adults to operate the unit without first reading the Owner's / Operator's Manual.
3. Become familiar with the controls and know how to stop the engine quickly.
4. Always use eye protection and hearing protection.
5. Keep the area of operation clear of all persons, particularly small children and pets.
6. Do not point the blower nozzle in the direction of people or pets.
7. Never operate a power blower when you are fatigued.
8. Never operate a power blower without proper guards or other protective safety devices in place.
9. Dress properly; do not wear loose clothing or jewelry that can be caught in moving parts. Always wear substantial footwear, long pant, and long sleeved shirt.
10. Gasoline is highly flammable; handle it carefully.
  - A. Do not smoke while handling gasoline.
  - B. Use an approved fuel container for storing the gasoline/oil mixture.
  - C. Do not fill the fuel tank when the engine is hot or running
  - D. Fill the fuel tank outdoors and only up to one-half inch from the top of the tank. Do not fill the filler neck.
  - E. Wipe away any spilled gasoline before starting the engine.
11. Always be sure of your footing; keep a firm hold of the blower pipes, and walk, never run while operating a power blower.
12. Use the correct accessories. Do not use the power blower for any job except that for which it is intended .
13. Keep all fasteners tight and be sure the power blower is in safe working condition. Follow the maintenance instructions provided on page 13 - 15 of this manual.
14. Do not put hands or feet near or under the rotating parts. Keep clear at all times.
15. If the power blower should start to vibrate abnormally, stop the engine immediately and check for the cause. Vibration is generally a warning of trouble.
16. Avoid using the power blower near rocks, gravel, stones and similar matter in order to avoid dangerous flying debris.
17. Use the power blower only in daylight or good artificial light.
18. Do not allow bystanders in work area.
19. Do not operate without guard(s) in place.
20. Do not operate in unventilated area.
21. To reduce the risk of injury associated with the inhalation of dust, use a face filter mask in dusty conditions.
22. To reduce the risk of injury associated with contacting rotating part, stop the engine before installing or removing attachments.
23. To reduce the risk of fire and burn injury:
  - Move at least 10ft (3m) away from the fueling point before starting engine.
  - Always store gasoline in approved container.

### Operating techniques

- A. Operate power equipment only at reasonable hours - not early in the morning or late at night when people might be disturbed. Comply with times listed in local ordinances. Usual recommendations are 9:00 am. to 5:00 p.m., Monday through Saturday.
- B. To reduce noise levels, limit the number of pieces of equipment used at any one time.
- C. To reduce noise levels, operate power blowers at the lowest possible throttle speed to do the job.
- D. Check your equipment before operation, especially the muffler, air intakes, and air filters.
- E. Use rakes and brooms to loosen debris before blowing.
- F. In dusty conditions, slightly dampen surfaces when water is available.
- G. Conserve water by using power blowers instead of hoses for many lawn and garden applications, including areas such as gutters, screens, patios, grills, porches, and gardens.
- H. Watch out for children, pets, open windows, or freshly washed cars, and blow debris safely away.
- I. Use the full blower nozzle extension so the air stream can work close to the ground.
- J. After using blowers and other equipment, CLEAN UP! Dispose of debris in trash receptacles.

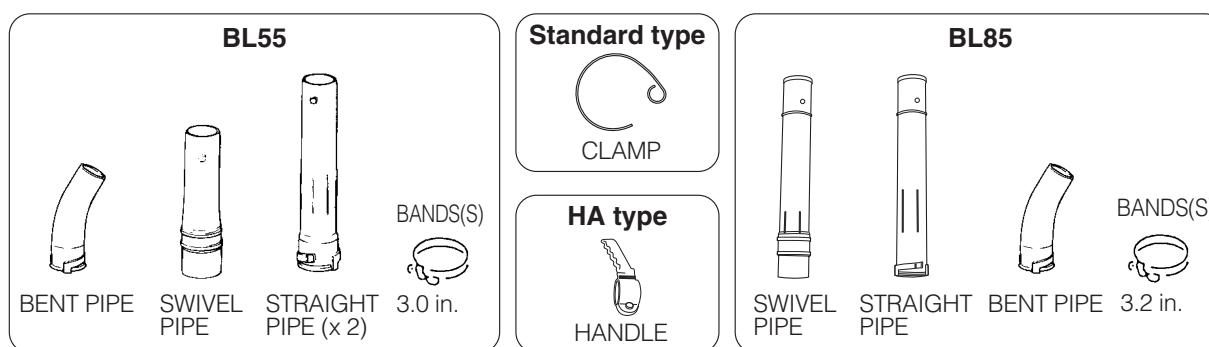
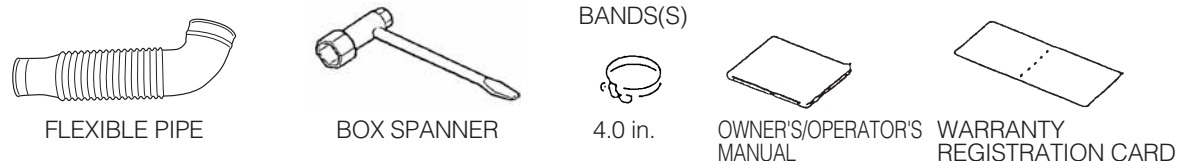
# SPECIFICATIONS

Models		BL55	BL85
Dimensions L x W x H	Standard	14.4 x 19.1 x 20.1 in. (365 x 485 x 535 mm)	
	HA Type	14.4 x 20 x 20.1 in. (365 x 510 x 535 mm)	
Dry Weight		19.6 lbs. (8.9 kg)	21.1 lbs. (9.6 kg)
Engine Type		TK45 for EPA	Kawasaki/2-Stroke Air cooled TK65 for EPA
Displacement		45.4 cc	64.7 cc
Ignition System		Electric	
Carburetor		All position diaphragm	
Fuel Tank Capacity		0.5 gal (2.0 lit)	
<b>Fuel Mixture:</b>		50:1 Using Maruyama 50:1 2-Cycle Engine Oil or any quality 2-cycle engine oil designed for use in air-cooled, high performance 2-cycle engines.	

The MARUYAMA BACKPACK POWER BLOWER comes with an Owner's / Operator's Manual and a Warranty Registration Card. Assembly and attachment of the throttle lever bracket and blower pipes are required.

## ASSEMBLY INSTRUCTIONS

STEP #1) Locate and identify all the components (see sketch).

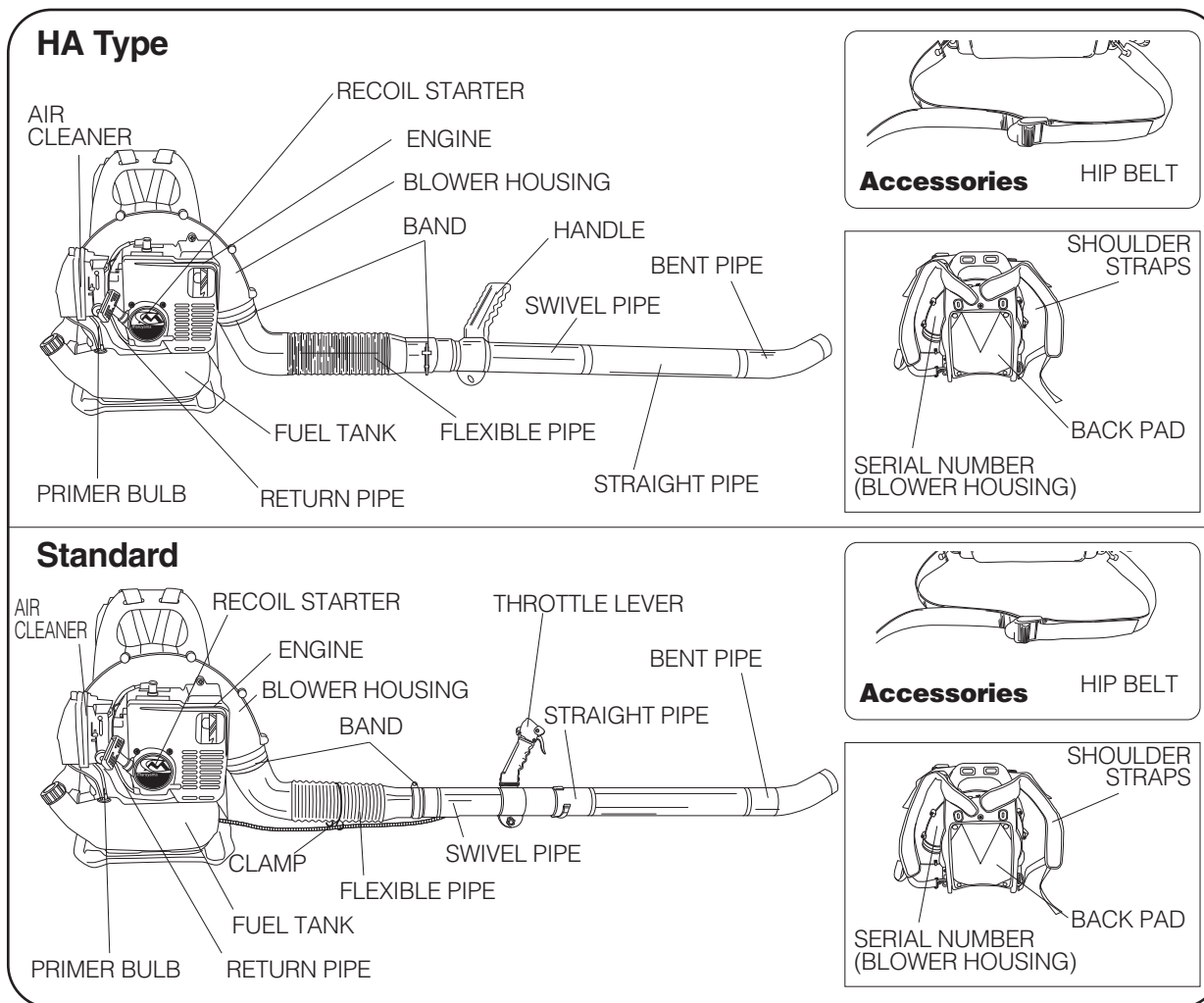


STEP #2) Prepare the flat head screwdriver, Using the BANDS, connect the FLEXIBLE PIPE to the blower, and the SWIVEL PIPE to the flexible pipe (see sketch page 8).

STEP #3) Assemble the STRAIGHT PIPE, BENT PIPE, and FAN-BLOW HEAD, then connect them to the swivel pipe (see sketch page 8).

STEP #4) Slide handle over swivel pipe and tighten retainer knob. (see sketch page 8).





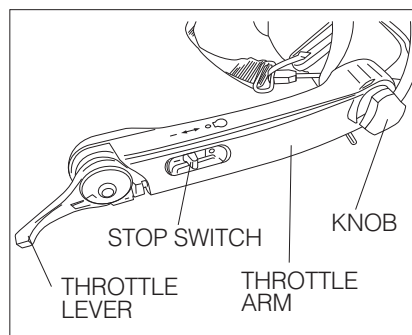
## BEFORE OPERATION

Be sure the power blower is correctly assembled and all fasteners and fittings are properly secured.

### THROTTLE LEVER

#### HA Type

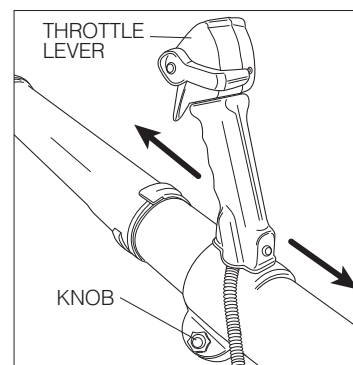
Before operating the power blower, release the knob, rotate the throttle arm to the position in the illustration, and tighten knob to secure in place.



When the power blower is strapped to the back of the operator, the throttle lever of the "Standard" is located on the left side.

#### Standard

Before operating the power blower, release the knob, move the throttle grip to the position in the illustration, and tighten knob to secure in place.



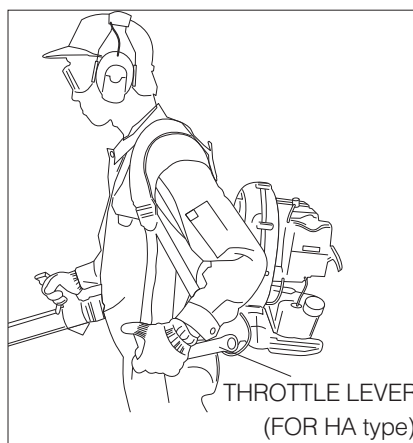
When the power blower is strapped to the back of the operator, the throttle lever of is located on the tube.

## 1. Catalytic Converter

This product is equipped with a catalytic converter in the exhaust system to significantly reduce exhaust emissions. The catalytic converter converts carbon monoxide and hydrocarbons into harmless carbon dioxide and water.

The catalytic converter requires special care.

- Use only unleaded gasoline. Never use leaded gasoline. Leaded gasoline significantly reduces the capability of the catalytic converter.
- Do not use 2-cycle oil that contains Phosphorus (P), Lead (Pb), or Sulfur (S). These elements will reduce the life and performance of the catalytic converter.



### CAUTION!

## 2. Shutting Engine Off

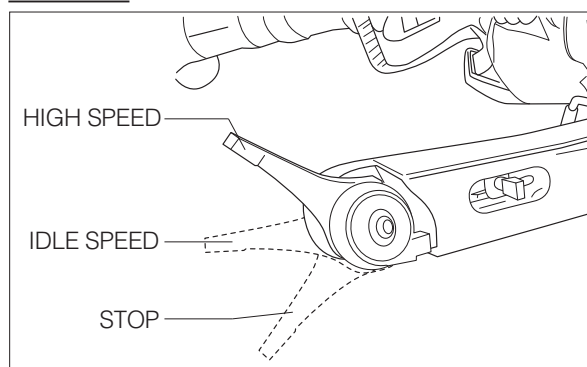
Before shutting the engine off, allow it to idle for a short while.

- Never stop the engine by closing the choke.
- Never stop the engine during operation while running above idle speed.

## 3. Transporting and Storage

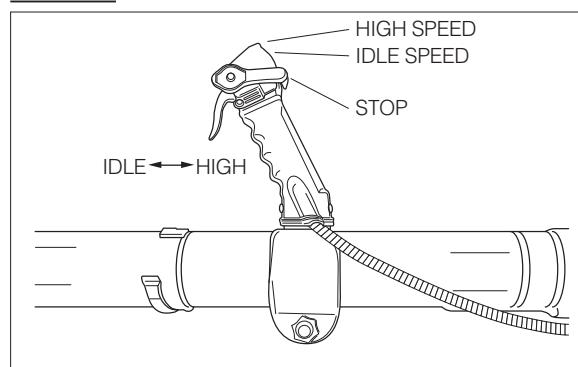
- Shut off the engine and allow it to cool before transporting or storing the unit.
- Do not put the unit on dry grass or near any flammable object unless the engine is cold or cooled down.

### HA Type



The lowest position of lever is "IDLE" setting, and the highest position is the "FULL THROTTLE" setting.

### Standard



The lowest position of lever is "STOP" setting, and the highest position is the "FULL THROTTLE" setting.

## FUEL: MIXING GASOLINE AND OIL

**CAUTION!** The engine used on this Backpack blower is of a 2-cycle design. The internal moving parts of the engine, i.e., crankshaft bearings, piston pin bearings and piston to cylinder wall contact surfaces, require oil mixed with the gasoline for lubrication. Failure to add oil to the gasoline or failure to mix oil with the gasoline at the appropriate ratio will cause major engine damage which will void your warranty. For your fuel premix, only use Maruyama 50:1 2-Cycle Oil or a quality oil designed for 2-cycle air-cooled engine.

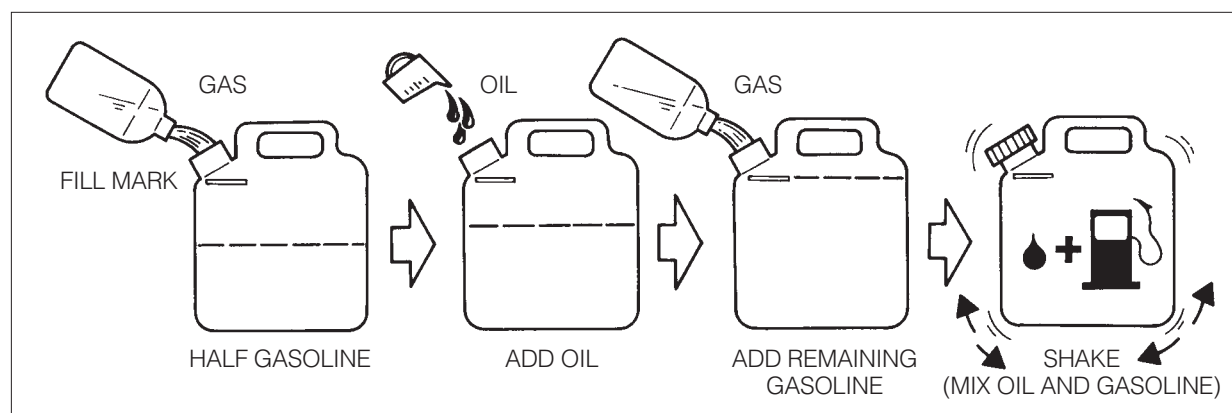
**FUEL MIXTURE:** When using genuine Maruyama 50:1 2-Cycle Oil, or a quality oil designed for 2-cycle air-cooled engines, oil ratio is 50 parts gasoline to 1 part oil or 50:1.

## **FUEL; MIXING GASOLINE AND OIL**

**CAUTION!** If Maruyama brand oil is not used, never use a mixing ratio less than 50:1 regardless of the oil package mixing instructions. Ratios less the 50:1, (for example, 60:1, 80:1, 100:1), reduce the amount of lubrication to the internal moving parts of the engine and can cause damage.

<b>Gasoline</b>	<b>50:1 2-Cycle Oil</b>
1 gallon	2.6 oz.
2 1/2 gallons	6.4 oz.
5 gallons	12.8 oz.

**MIXING INSTRUCTIONS:** Always mix fuel and oil in a clean container approved for gasoline. Mark the container to identify it as fuel mix for the Backpack Blower. Use regular unleaded gasoline and fill the container with half the required amount of gasoline. Pour the correct amount of oil into the container then add the remaining amount of gasoline. Close the container tightly and shake it momentarily to evenly mix the oil and the gasoline before filling the fuel tank on the Backpack Blower.



When refilling the Backpack Blower fuel tank, clean around the fuel tank cap to prevent dirt and debris for entering the tank during cap removal. Always shake the premix fuel container momentarily before filling the fuel tank.

Always use a spout or funnel when fueling to reduce fuel spillage. Only fill the tank to within 1/2 inch from the top of the tank. Avoid filling to the top of the tank filler neck.

### **NOTE:**

1. Never mix gasoline and oil directly in the Backpack Blower fuel tank.

### **CAUTION!**

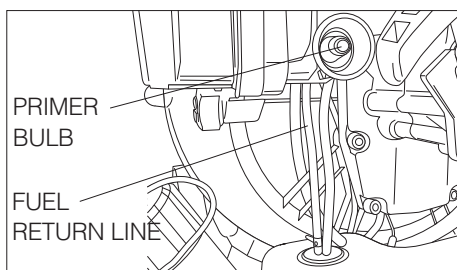
1. Do not use National Marine Manufacturer's Association (NMMA) or BIA certified oils. This type or 2-cycle engine oil does not have the proper additives for air-cooled, 2-cycle engines and can cause engine damage.
2. Do not use automotive motor oil. This type of oil does not have the proper additives for air-cooled, 2-cycled engines and can cause engine damage.

# OPERATING INSTRUCTIONS

## STARTING PROCEDURE

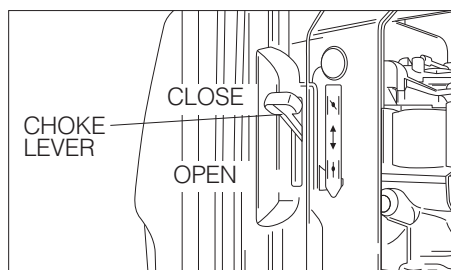
### STEP #1)

Pump the "PRIMER BULB" under of the carburetor until fuel can be seen flowing through the "FUEL-RETURN LINE".



### STEP #2)

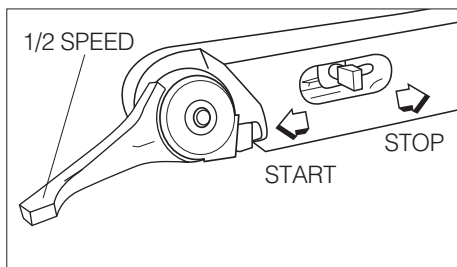
Move the "CHOKE LEVER" fully up ward to the closed position. If the engine is already warm, only a partial or open (no choke) choke setting may be required.



### HA Type

#### STEP #3)

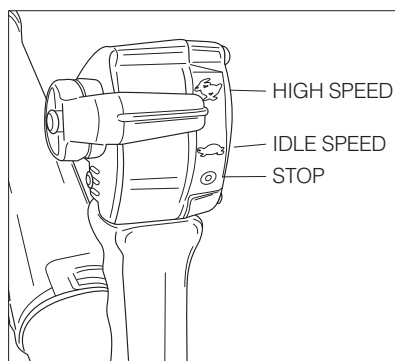
Turn the stop switch ON. (Confirm that the stop switch is at the starting position.)  
Set the throttle lever at 1/2 speed.



### Standard

#### STEP #3)

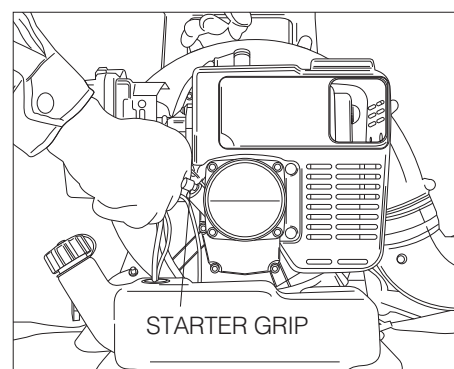
Set the throttle lever at 1/2 speed.



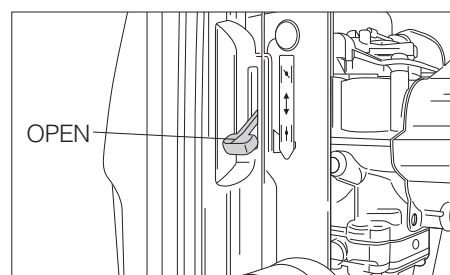
### **CAUTION!**

Press down the "AIR FILTER COVER" and Pull the "STARTER GRIP" briskly to start the engine.

**NOTE:** Only short pulls are necessary. Never pull the starter cord to its fullest extension. Never let go of the



- STEP #4) Warming up the engine.  
When the engine has started, slowly move the "CHOKE LEVER" fully upward to the open position. Allow the engine to "WARM-UP" at less than 1/2 speed.

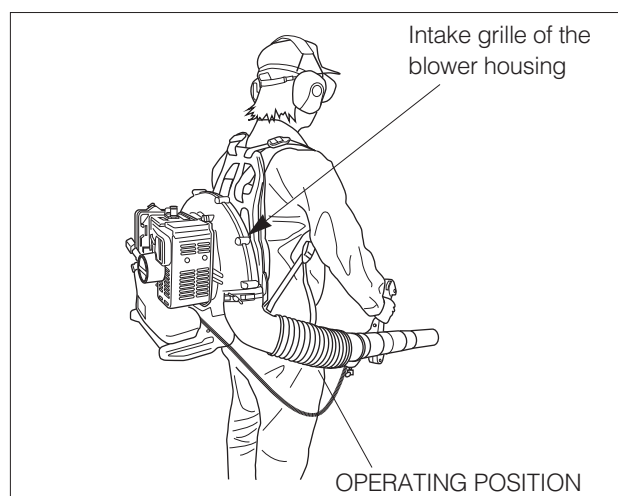


If a MARUYAMA engine fails to start after following the above procedures, contact an authorized MARUYAMA dealer.

## **BLOWER OPERATION**

When the engine has warmed-up, the power blower can be positioned on the back of the operator.

When the power blower is positioned and ready for operation, adjust the throttle to a speed required to accomplish the task.



### **! WARNING**

- Never operate a power blower when you are fatigued.
- Never operate a power blower without proper guards or other protective safety devices in place.

### **! WARNING**

To prevent overheating and engine seizure, cooling air comes from the intake grille of the fan housing and is pushed by the blower fan through an opening in the fan housing over the cylinder fin area, taking away combustion heat. The grille and cylinder fins must be kept clean of grass, dust and any debris. Engine failure due to lack of this "Normal Maintenance" is not covered by warranty.

## **STOPPING THE ENGINE**

Always run the engine at idle speed for a few minutes to allow cooling before stopping. To stop the engine, move the throttle control lever all the way to the engine stop position, or move the stop switch to the "STOP" position.

# REGULAR MAINTENANCE

Before each use, the power blower should be inspected for proper assembly and fitness of all components. All fasteners should be checked for correct tightness. Always inspect for fuel leaks.



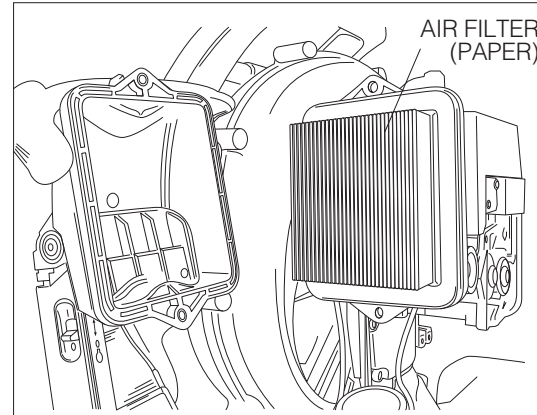
**WARNING** Do not attempt to start or operate a power blower that indicates a fuel leak.

## AIR FILTER

The air filter should be inspected each time the power blower is used (or more often with extreme conditions).

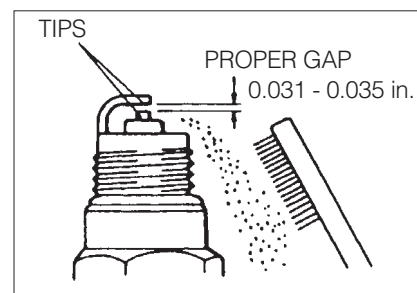
To inspect, remove the air filter cover and remove the filter from the case.

Clean air filter(s) by gently tapping element or cleaning with a suitable solvent the filter should be completely dry before using again.



## SPARK PLUG

The spark plug should be removed from the engine and checked after each fifty (50) hours of use. The tips can be cleaned with a stiff brush. Adjust the gap to 0.031 - 0.035 inches (see sketch). Replace the spark plug if it is oil-fouled or damaged.

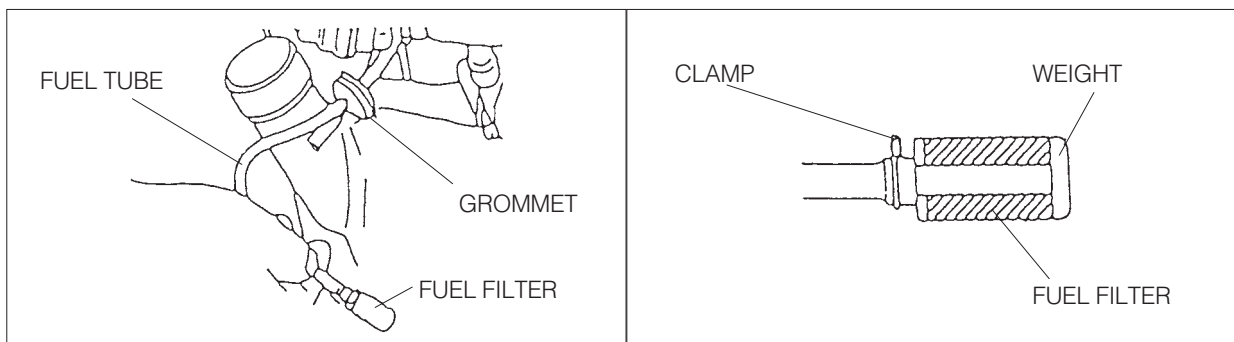


## **CAUTION!**

The correct torque for the spark plug is 10 - 12 ft. lbs. Do not over-tighten.

## FUEL FILTER

The fuel filter should be cleaned and inspected for damage after each twenty (20) hours of use. The fuel filter is attached to the fuel pick-up tube inside the fuel tank. Loosen the clamp and take out the fuel filter.

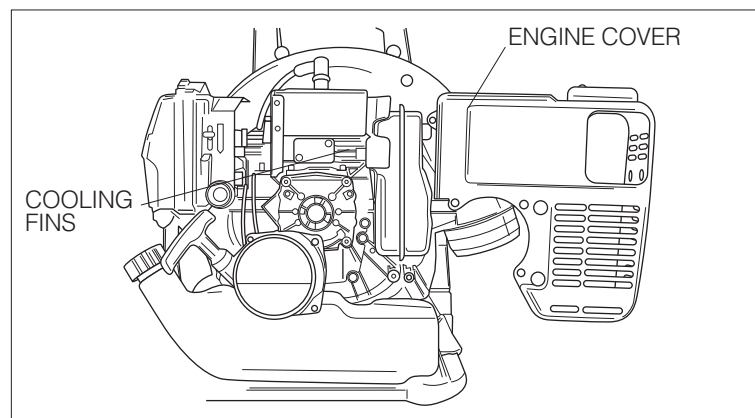


To clean the fuel filter, remove it from the fuel tube and wash it with safety solvent. Inspect and clean the fuel tank before re-installing the fuel filter.

Always replace a defective fuel filter.

## **COOLING FINS**

Free passage of air flow through the cylinder cooling fins is required to prevent poor engine performance and shortened engine life. Regularly check and clean all debris from the cooling fins by removing the engine cover (see sketch).



## **MUFFLER AND EXHAUST PORTS**

The muffler should be removed and serviced after each fifty (50) hours of use. At the same time, the exhaust ports should be cleaned and inspected. An AUTHORIZED MARUYAMA DEALER should be contacted for this service.

## **GENERAL CLEANING AND TIGHTENING**

The MARUYAMA power blower will provide maximum performance for many hours, if it is maintained properly. Good maintenance includes regular checking of all fasteners for correct tightness, and cleaning the entire machine. Contact an authorized MARUYAMA dealer for additional maintenance suggestions.

# **STORAGE**

For long-term storage of the power blower, first perform all regular maintenance procedures and needed repairs. Empty the fuel tank. Disconnect the fuel supply line from the carburetor and depress the primer bulb until fuel stops discharging from the fuel-return line.

Start the engine and allow it to run until it stops. Pull the starter cord a few times to remove any excess fuel from the engine. Remove the spark plug and insert a small amount of oil into the cylinder. Slowly pull the starter cord and bring the piston to a position closest to the spark plug hole. Re-install the spark plug. Apply a thin coating of oil to all the metal surfaces and store the power blower in a dry place.

# EMISSION CONTROL INFORMATION

## **FUEL INFORMATION**

THIS ENGINE IS CERTIFIED TO OPERATE ON UNLEADED REGULAR GRADE GASOLINE ONLY. A minimum of 87 octane of the antiknock index is recommended. The antiknock index is posted on service station pumps in the U.S.A..

## **EMISSION CONTROL INFORMATION**

To protect the environment in which we all live, Kawasaki has incorporated an exhaust emission control system.

## **EXHAUST AND EVAPORATIVE EMISSION CONTROL SYSTEM**

The system reduces the amount of pollutants discharged into the atmosphere by the exhaust of this engine. The fuel tank, ignition and exhaust systems of this engine have been carefully designed and constructed to ensure an efficient engine with low exhaust pollutant and low evaporative emission levels. If you purchased your (Blower, Trimmer, Hedge Trimmer) in the state of California, the engine included catalytic converter system, and the fuel tank includes low evaporative emission system.

## **MAINTENANCE AND WARRANTY**

Proper maintenance is necessary to ensure that your engine will continue to have low emission levels. This Owner's/Operator's Manual contains those maintenance recommendations for your engine. Those items identified by the Periodic Maintenance Chart are necessary to ensure compliance with the applicable standards.

As the owner of the (Blower, Trimmer, Hedge Trimmer), you have the responsibility to make sure that the recommended maintenance is carried out according to the instructions in this Owner's/Operator's Manual at your own expense.

The Maruyama Limited Emission Control System Warranty requires that you return your (Blower, Trimmer, Hedge Trimmer) to an authorized Maruyama (Blower, Trimmer, Hedge Trimmer) dealer for remedy under warranty. Please read the warranty carefully, and keep it valid by complying with the owner's obligations it contains.

## **TAMPERING WITH EMISSION CONTROL SYSTEM PROHIBITED**

Federal law and California State law prohibit the following acts or the causing there of: (1) the removal or rendering inoperative by any person other than for purposes of maintenance, repair, or replacement, of any device or element of design incorporated into any new engine for the purposes of emission control prior to its sale or delivery to the ultimate purchaser or while it is in use, or (2) the use of the engine after such device or element of design has been removed or rendered inoperative by any person.

Among those acts presumed to constitute tampering are acts listed below:

Do not tamper with the original emission related parts.

- Carburetor and internal parts
- Spark plug
- Magneto or electronic ignition system
- Fuel filter
- Muffler or any internal portion of the muffler
- Air cleaner element
- Fuel Tank



# FUEL RECOMMENDATIONS

## **FUEL**

The Kawasaki TK series 2-stroke engines require a gasoline-oil mixture.  
Use only clean, fresh, unleaded regular grade gasoline.

### **Octane Rating**

The octane rating of a gasoline is a measure of its resistance to "knocking".  
Use of a minimum of 87 octane of the antiknock index is recommended. The antiknock index is posted on service station pumps in the U.S.A.

### **NOTE:**

- If "knocking or pinging" occurs, use a different brand of gasoline or higher octane rating.

<p><b>⚠ WARNING: ⚠</b></p> <p>Gasoline is extremely flammable and can be explosive under certain conditions. Turn the engine switch OFF. Do not smoke. Make sure the area is well ventilated and free from any source of flame or sparks : this includes any appliance with a pilot light.</p>
--

## **2-STROKE ENGINE OIL MIXING**

Oil must be mixed with the gasoline to lubricate the piston, cylinder, crankshaft, bearings, and connecting rod bearings.

Recommended Engine Oil: 2-stroke air cooled brand oil

Gasoline and engine oil mixing ratio: 50 : 1 (gasoline 50, 2-stroke Engine Oil 1)

### **NOTE:**

- Do not mix gasoline and oil directly in the fuel tank.
- The lubricative quality of this mixture deteriorates rapidly.
- Do not use gasoline that has been stored longer than two months.
- To ensure proper starting at low ambient temperatures, fresh winter grade fuel must be used.

**CAUTION:** The engine is shipped without fuel.

# ADJUSTMENT

## IDLING SPEED ADJUSTMENT

1. Idle speed is the only available adjustment.
2. Do not tamper with the carburetor setting to increase the maximum engine speed.
3. If adjustment is needed, have it performed by your authorized MARUYAMA service dealer.  
Carburetor adjustments are made at the factory and are not adjustable without disassembling the carburetor.

# MAINTENANCE

## PERIODIC MAINTENANCE CHART

 <b>WARNING:</b> 
Always remove the spark plug cap from spark plug when servicing the engine to prevent accidental starting.

MAINTENANCE	Interval				
	Daily	First 20 hours	Every 20 hours	Every 50 hours	Every 100 hours
Check and replenish fuel	●				
Check for fuel leakage	●				
Check bolts, nuts and screws for looseness and loss	●				
Clean fuel filter			●		
★ Clean air filter element			●		
Tighten bolts and nuts		●		●	
Clean spark plug and adjust electrode gap				●	
★ Remove dust and dirt from cylinder fins				●	
M Remove carbon deposits on piston head and inside cylinder				●	
M Remove carbon deposits in the exhaust pipe of muffler				●	
M Clean net of spark arrester (if equipped)				●	
M Check the sliding portion of crankshaft, connecting rod etc.					●
Fuel tube	It is recommended to replace every 3 years.				

**Note:** The service intervals indicated are to be used as a guide. Service to be performed more frequently as necessary by operating condition.

**M:** Service to be performed by an authorized Maruyama engine dealer.

**★:** Service more frequently under dusty conditions.


# TABLE DES MATIÈRES

Avant propos .....1	Avant l'utilisation .....5
Symboles de sécurité .....1	Instructions de fonctionnement .....8
Garantie ..... 2	Maintenance Régulière ..... 10
Instructions de sécurité .....3	Entreposage .....11
Caractéristiques techniques ..... 4	Informations anti-pollution ..... 12
Instructions de montage .....4	

## AVANT PROPOS

Ce Manuel du propriétaire/de l'utilisateur est conçu afin de familiariser l'opérateur avec les différentes caractéristiques et pièces de l'équipement, et de vous assister pendant le montage, le fonctionnement et la maintenance de votre nouvelle souffeuse à dos.

**Il est impératif que chaque opérateur de cette Souffleuse à dos lise et comprenne le contenu de ce manuel avant d'utiliser la souffeuse.**

Les instructions de sécurité importantes seront identifiées par le symbole de sécurité suivant: 

Le non-respect et l'inobservation des instructions incluses dans ce manuel peut être à l'origine de blessures sérieuses, voire mortelles.

En cas d'assistance supplémentaires, veuillez contacter le concessionnaire Maruyama le plus proche ou Maruyama U.S., Inc., 4770 Mercantile Drive, suite100, Fort Worth, TX 76137 U.S.A.

Téléphone: 940-383-7400

Internet: [www.maruyama-us.com](http://www.maruyama-us.com)

## SYMBOLES DE SÉCURITÉ DE CE MANUEL

Tout au long de ce manuel et sur l'appareil lui-même, vous trouverez des messages d'informations utiles et des alertes à la sécurité précédés de symboles ou de mots clé. Ce qui suit correspond à une explication de ces symboles et de ces mots clé ainsi que leur signification.



Ce symbole accompagné des mots AVERTISSEMENT et DANGER doit attirer votre attention ; il se rapporte à une action ou à une condition pouvant être à l'origine de sérieuses blessures à l'opérateur et aux personnes aux alentours.

## Étiquettes d'avertissement

- Veiller à toujours nettoyer la poussière ou la boue afin que les étiquettes soient toujours visibles.
- Les étiquettes d'alarme suivantes apparaissent également.

Étiquettes de mise en garde



**Lire le Manuel du propriétaire/de l'utilisateur complètement.**  
Lire complètement le Manuel du propriétaire/de l'utilisateur avant d'utiliser l'équipement. thoroughly prior to use.



**Se protéger les oreilles.**  
Se protéger les oreilles en portant un chapeau, des lunettes de protection, des protections auditives avant d'utiliser l'équipement.



**Interdiction de sources d'incendie.**  
Ne pas approcher de flamme nue si du carburant est présent ou si l'équipement est en train d'être révisé ou réparé.



**Attention aux gaz d'échappement.**  
Ne pas respirer les gaz d'échappement du moteur.



**Attention aux hautes températures.**  
La surface du silencieux du moteur, l'ailette du cylindre, etc. deviennent très chauds. Ne pas les toucher.



## Déclaration de garantie limitée

Tous les produits Maruyama sont garantis au premier acheteur contre tout défaut de matériau et de fabrication pour les durées répertoriées ci-dessous à compter de la date d'achat :

**à vie** pour les arbres d'entraînement internes des taille-haies et les débroussailleuses et tous les modules d'allumage,

**5 ans** pour utilisation commerciale et résidentielle.

**1 an** pour utilisation en location.

Tous moteurs Maruyama et Kawasaki TK45/TK65 sont exclusivement couverts pour cinq ans d'utilisation industrielle, commerciale, institutionnelle et pour production de revenus. Ces moteurs ont une garantie d'une année pour utilisation en location.

Cette garantie sera en vigueur à condition que, pendant les premières 80 heures d'optimisation, le moteur soit utiliser avec de l'huile 2 temps Maruyama Premium. Après la période d'optimisation utilisez toujours de l'huile 2 temps Maruyama Premium avec le moteur, ou une huile 2 temps, équivalente ISO-L-EGD & JASO FC.

L'acheteur ne sera pas facturé pour la main d'œuvre du diagnostic déterminant qu'une pièce sous garantie est défectueuse si le diagnostic a été effectué chez un concessionnaire Maruyama.

Toute pièce sous garantie dont le remplacement n'est pas prévu dans l'entretien requis, ou dont l'inspection normale dépend d'une mention "réparer ou remplacer selon le besoin" est garantie pendant la durée de la garantie. Toute pièce sous garantie dont le remplacement est prévu dans l'entretien requis est garantie pendant la période précédant le premier remplacement prévu de la pièce. Maruyama Mfg. Co., Inc. est responsable des dégâts aux composants des autres moteurs causés par la défaillance d'une pièce encore sous garantie.

Il incombe à l'acheteur d'effectuer l'entretien requis, tel que défini par Maruyama Mfg. Co., Inc. dans le manuel du propriétaire/de l'utilisateur.

**GARANTIE DES PIÈCES DU SYSTÈME DE CONTRÔLE DES ÉMISSIONS :** En sus de la couverture de garantie ci-dessus, Maruyama Mfg. Co., Inc. réparera ou remplacera, sans frais pour le premier acheteur et chaque acheteur ultérieur, toute pièce du système de contrôle de la pollution des pièces trouvées défectueuses au niveau du matériel ou au niveau de la fabrication pendant deux (2) ans à compter de la date de livraison d'origine au détaillant. **Les pièces relatives à l'échappement sont les pièces d'assemblage du carburateur, d'assemblage de la bobine d'allumage, du rotor de distributeur, de la bougie, du pot catalytique et du réservoir de carburant.** Toute pièce de remplacement équivalente en performance et en durabilité peut être utilisée lors des entretiens ou réparations non garantis et ne doit pas réduire les obligations de la garantie de Maruyama Mfg. Co., Inc.

### Cette garantie ne couvre pas :

1. les articles d'entretien (à l'exception des défauts de matériau et de fabrication), notamment les conduites, les bougies, la corde de démarreur, les filtres à air et à carburant, les patins d'embrayage, les isolateurs de vibrations, les câbles des gaz et tous les accessoires de coupe, etc.
2. les frais supplémentaires, y compris les frais de livraison et de manutention, de déplacement, le paiement pour temps ou paiement perdu ou pour tout inconvénient ainsi que le stockage.
3. les altérations ou modifications comprenant des pièces de rechange non agréées par Maruyama U. S., Inc.
4. l'usure, les accidents, l'utilisation abusive, la négligence, l'utilisation erronée, les mauvais carburants, lubrifiants, mélanges de carburants (si applicable) ou l'incapacité à utiliser ou entretenir le produit conformément aux instructions approuvées par Maruyama.

La réparation ou le remplacement tels qu'indiqués dans cette garantie restent le recours exclusif du consommateur. Maruyama ne pourra être tenu responsable des dommages accessoires et indirects pour violation de toute garantie implicite ou expresse sur ces produits, sauf dans les limites fixées par la loi. Toute garantie implicite de qualité marchande ou d'adaptation à une utilisation particulière de ces produits est limitée aux durées de garantie telles que définies dans la déclaration de garantie limitée. Maruyama se réserve le droit de modifier ou d'améliorer la conception du produit sans préavis et n'assume pas l'obligation de mettre à niveau les produits déjà fabriqués.

Cette garantie vous apporte des droits spécifiques pouvant varier d'un état à l'autre. Il incombe au propriétaire et au concessionnaire de s'assurer que la carte d'enregistrement de garantie est correctement remplie et envoyée à Maruyama U. S., Inc. Une preuve d'achat et l'enregistrement sont exigés afin d'obtenir un service de garantie.

Pour trouver le centre de service après-vente agréé Maruyama le plus proche, contactez Maruyama U.S., Inc. au 1-940-383-7400.

**Maruyama U.S., Inc.**  
4770 Mercantile Drive, suite 100,  
Fort Worth, TX 76137 U.S.A.



## AVERTISSEMENT



1. Lisez et assimilez ce manuel du propriétaire/de l'utilisateur avant d'utiliser la souffleuse à dos. Familiarisez-vous à l'utilisation correcte de cette souffleuse à dos.
2. Ne laissez jamais des enfants utiliser la souffleuse à dos. Il ne s'agit pas d'un jouet. Ne laissez jamais des adultes utiliser la machine sans qu'ils aient lu le manuel du propriétaire/de l'utilisateur.
3. Familiarisez-vous avec les commandes et sachez comment arrêter rapidement le moteur.
4. Utilisez toujours des lunettes et des protections auditives.
5. Demandez aux personnes de quitter la zone de travail, particulièrement les enfants en bas âge et les animaux domestiques.
6. Ne pointez jamais la bouche de soufflage vers des gens ou des animaux.
7. N'utilisez jamais une souffleuse quand vous êtes fatigué.
8. N'utilisez jamais une souffleuse sans ses protections ou autres dispositifs de sécurité appropriés en place.
9. Habillez-vous correctement ; ne portez aucun vêtement ample ou bijoux pouvant être happés par des pièces en mouvement. Portez toujours des chaussures adéquates, des pantalons longs ainsi que des chemises à manches longues.
10. L'essence est fortement inflammable ; vous devez la manipuler avec précaution.
  - A. Il est strictement interdit de fumer en manipulant de l'essence.
  - B. Utilisez un bidon d'essence approuvé pour entreposer le mélange d'huile et d'essence.
  - C. Ne remplissez pas le réservoir d'essence quand le moteur est chaud ou en fonctionnement
  - D. Le remplissage en essence doit s'effectuer à l'extérieur en conservant un espace de 1 cm en haut du réservoir. Ne remplissez pas le col de remplissage.
  - E. Essuyez le carburant renversé avant de mettre le moteur en marche.
11. Assurez toujours votre équilibre ; maintenez fermement la tuyauterie de soufflage et marchez sans jamais courir quand une souffleuse est en fonctionnement.
12. Utilisez les accessoires corrects. Vous devez utiliser la souffleuse seulement pour ce qu'elle a été conçue.
13. Les fixations doivent être serrées, assurez-vous aussi que la souffleuse est en état de fonctionner sans danger. Appliquez les instructions de maintenance se trouvant en pages 10 à 12 de ce manuel.
14. Éloignez vos pieds et vos mains des pièces en rotation. Soyez prudent à tout instant.
15. Si la souffleuse commence à vibrer anormalement, arrêtez immédiatement le moteur et recherchez la cause. Les vibrations doivent être généralement considérées comme un avertissement avant difficultés.
16. Évitez l'utilisation de la souffleuse à proximité de rochers, graviers, pierres et autres matériaux qui pourraient se transformer en objets volants dangereux.
17. N'utilisez la souffleuse à dos qu'à la lumière du jour ou sous un éclairage artificiel adéquat.
18. Éloignez d'éventuels spectateurs hors de la zone de travail.
19. Le fonctionnement de la souffleuse est interdit sans ses protections en place.
20. Le fonctionnement de la souffleuse est interdit dans des zones sans ventilation.
21. Afin d'éviter tout risque de blessures associées à l'inhalation de poussière, utilisez un masque avec filtre anti-poussières.
22. Afin d'éviter tout risque de blessures associées au contact avec des pièces en mouvement, arrêtez le moteur avant d'installer ou de démonter des accessoires.
23. Afin d'éviter tout risque d'incendie et de brûlures : Éloignez-vous d'au moins 3 m du bidon d'essence avant de démarrer le moteur. L'essence doit toujours être stockée dans un bidon approuvé.

### Techniques d'utilisation

- A. N'utilisez un matériel motorisé qu'à des heures raisonnables, pas trop tôt le matin ni trop tard le soir pour ne pas déranger les autres. Respectez les heures répertoriées dans les arrêtés municipaux. Les recommandations générales à ce sujet sont entre 9 h et 17 h du lundi au samedi.
- B. Afin de réduire le niveau du bruit, limitez le nombre d'accessoires simultanément utilisés.
- C. Pour réduire le niveau du bruit, faites fonctionner la souffleuse à sa vitesse minimum possible en fonction du travail à réaliser.
- D. Contrôlez votre matériel avant utilisation, surtout le silencieux, les admissions d'air et les filtres à air.
- E. Décompactez les débris avec un râteau ou un balai avant de les souffler.
- F. En conditions poussiéreuses, mouillez légèrement les surfaces si de l'eau est disponible.
- G. Économisez l'eau en utilisant des souffleuses motorisées à la place de tuyaux pour la plupart des applications de gazon et de jardin, y compris dans les endroits comme les gouttières, les grillages, les patios, les grilles, les porches et les jardins.
- H. Prenez garde aux enfants, animaux domestiques, fenêtres ouvertes ou aux voitures fraîchement lavées, et soufflez les débris au loin en toute sécurité.
- I. Utilisez une rallonge de bouche de soufflage complète pour que le jet d'air puisse travailler près du sol.
- J. Après avoir utilisé les souffleuses et autres matériels : NETTOYEZ-LES ! Mettez les débris dans des poubelles.

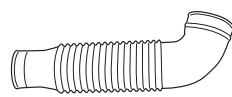
# CARACTÉRISTIQUES TECHNIQUES

Modèles		BL55	BL85
Dimensions L x l x H	Standard	14.4 x 19.1 x 20.1 po (365 x 485 x 535 mm)	
	HA Type	14.4 x 20 x 20.1 po (365 x 510 x 535 mm)	
Poids à sec		19.6 livres (8.9 kg)	21.1 livres (9.6 kg)
Type de moteur		TK45 pour l'EPA	Kawasaki/2 temps refroidi par air TK65 pour l'EPA
Cylindrée		45.4 cm <sup>3</sup>	64.7 cm <sup>3</sup>
Système d'allumage		Électrique	
Carburateur		Diaphragme toutes positions	
Contenance du réservoir à carburant		2.1 qts (2.0 litres)	
<b>Mélange d'essence :</b>		50:1 Utilisation huile moteur 2 temps Maruyama 50:1 Huile moteur 2 temps ou une huile moteur 2 temps de qualité conçue pour les moteurs 2 temps à refroidissement par air et à haute performance.	

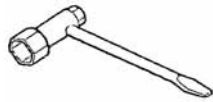
La SOUFFLEUSE À DOS MARUYAMA est livrée avec un Manuel du propriétaire/de l'utilisateur et une carte d'enregistrement de garantie. L'assemblage et le montage du levier d'accélération et des tuyauteries de soufflage sont obligatoires.

## INSTRUCTIONS DE MONTAGE

ÉTAPEN°1) Repérez et identifiez tous les composants (reportez-vous au dessin).



TUYAU FLEXIBLE

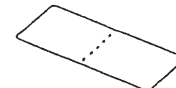
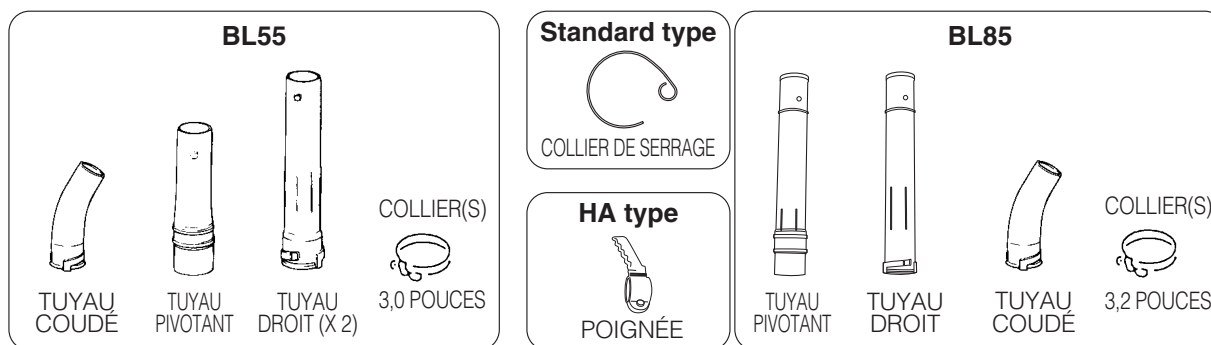


CLÉ À TUBE

COLLIER(S)



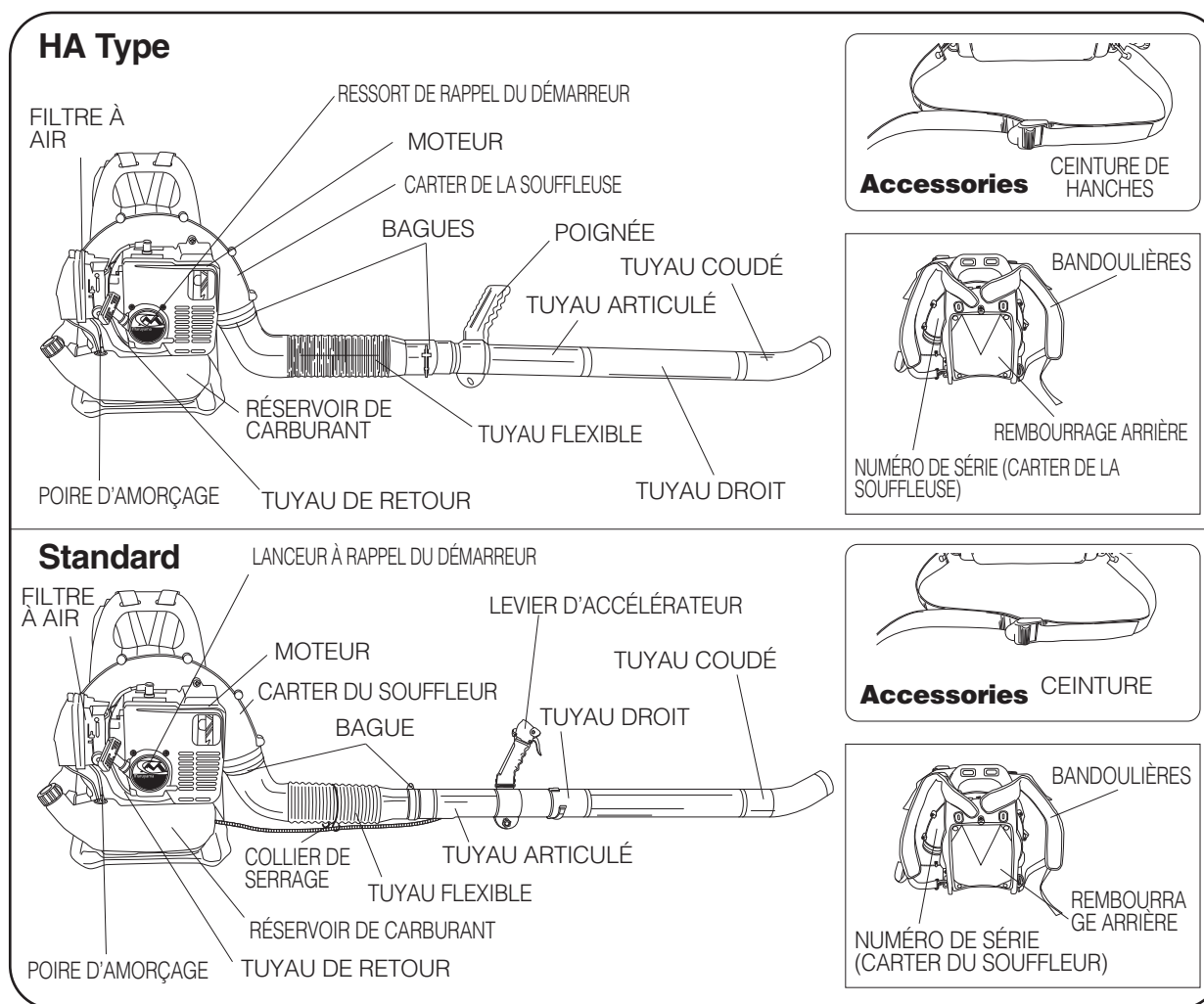
4,0 POUCES

MANUEL DU PROPRIÉTAIRE  
/DE L'UTILISATEURCARTE D'ENREGISTREMENT  
DE GARANTIE

ÉTAPEN°2) Préparez un tournevis de l'head plat, À l'aide des BAGUES, connectez le TUYAU FLEXIBLE à la souffeuse et le TUYAU ARTICULÉ au tuyau flexible (reportez-vous au dessin).

ÉTAPEN°3) Assemblez le TUYAU DROIT, LE TUYAU COURBE et la TÊTE DE SOUFFLEUSE ; connectez-les ensuite au tuyau articulé (reportez-vous au dessin).

ÉTAPEN°4) Attachez le support du levier d'accélérateur au carter de la souffeuse (reportez-vous aux instructions en page 5).



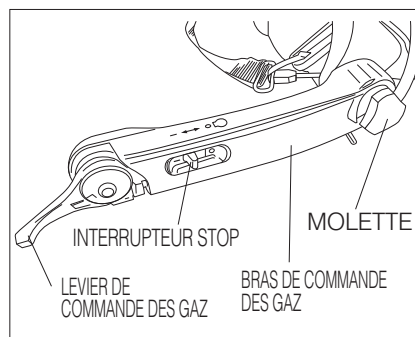
## AVANT L'UTILISATION

Assurez-vous que la souffeuse à dos est correctement montée et que toutes la visserie et tous les raccords sont correctement serrés.

### LEVIER DE COMMANDE DES GAZ

#### HA Type

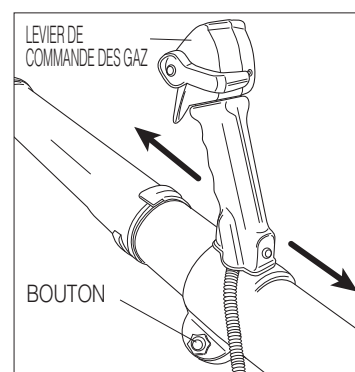
Avant d'utiliser le Power Blower, desserrez la molette, faites pivoter le bras de commande des gaz jusqu'à la position indiquée sur l'illustration, et serrez la molette pour le fixer.



Quand la souffeuse se trouve attachée sur le dos de l'opérateur, le levier d'accélération des "Standard" se trouve sur le côté gauche.

#### Standard

Avant de faire fonctionner le souffleur de feuilles, libérez le bouton, réglez la poignée de commande des gaz sur la position indiquée sur l'illustration et serrez le bouton.



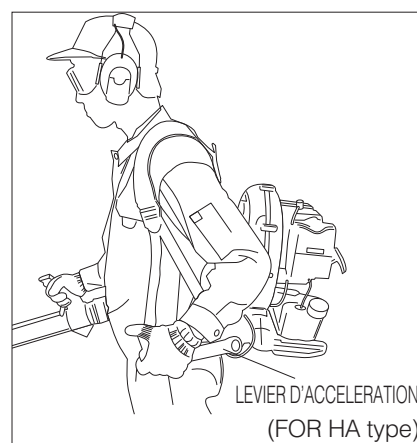
Quand le souffleur de feuilles se trouve attaché sur le dos de l'utilisateur, la poignée de commande des gaz se trouve sur le tube.

## 1. Arrêter le moteur

Avant d'arrêter le moteur, laissez-le fonctionner au ralenti pendant une courte période.

The catalytic converter requires special care.

- Ne jamais arrêter le moteur en fermant le starter.
- Ne jamais arrêter le moteur pendant que l'appareil fonctionne à un régime plus élevé qu'au ralenti.

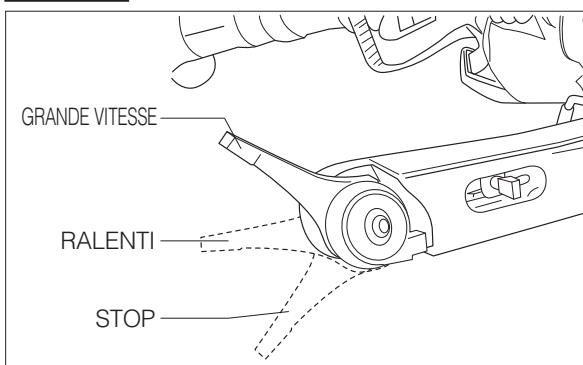


### ATTENTION!

## 2. Transport et remisage

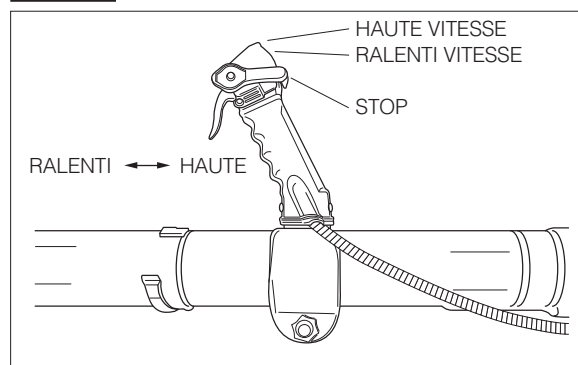
- Arrêtez le moteur et laissez-le refroidir avant de transporter ou de remiser l'appareil.
- Ne pas placer l'appareil sur de l'herbe sèche ou à proximité de tout objet inflammable à moins que le moteur soit froid ou ait refroidi.

### HA Type



La position la plus basse du levier correspond au "RALENTI" et la position la plus haute correspond à "PLEINS GAZ".

### Standard



La position la plus basse de la poignée est « STOP » (arrêt) et la position la plus haute correspond à « FULL THROTTLE » (pleins gaz).

## CARBURANT : MELANGE ESSENCE-HUILE

**ATTENTION!** Le moteur utilisé sur cette souffleuse à dos est à 2 temps. Les pièces mobiles internes du moteur, à savoir le vilebrequin, les roulements, les paliers des axes de piston et les surfaces de contact entre le piston et la paroi, nécessitent un mélange d'huile et d'essence pour la lubrification. L'absence d'apport d'huile à l'essence ou le mélange d'huile avec l'essence dans des proportions inadéquates provoquera de graves dégâts au moteur et annule la garantie. Utilisez un mélange d'huile Maruyama 50:1 2 temps ou une huile conçue pour les moteurs 2 temps refroidis par air.

**MÉLANGE DE CARBURANT :** Lorsque vous utilisez une huile Maruyama 50:1 2 temps ou une huile de qualité pour moteurs 2 temps refroidis à l'air, le rapport d'huile est de 50 parties d'essence pour une partie d'huile, soit 50:1.

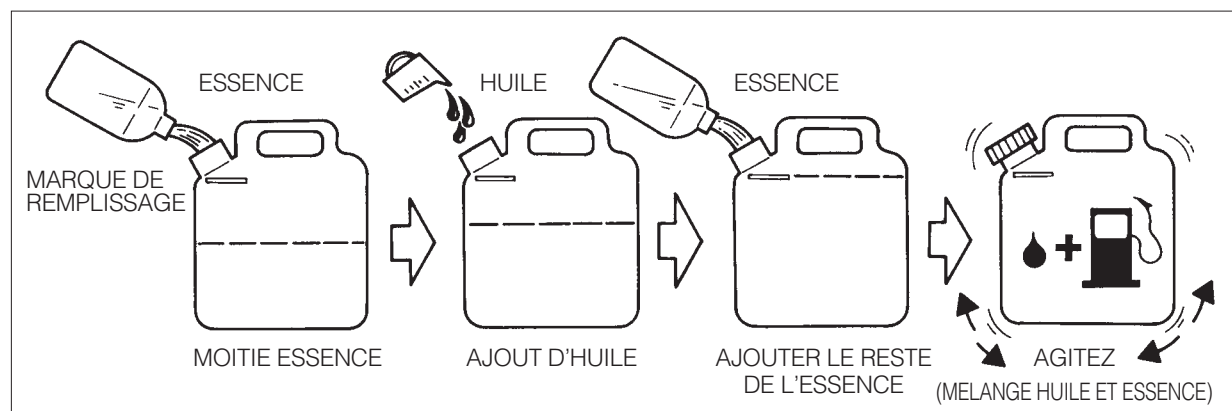


## **CARBURANT ; MELANGE ESSENCE + HUILE**

ATTENTION ! Si une autre huile que la marque Maruyama est utilisée, le mélange ne doit jamais être inférieur à 50:1 qu'elles que soient les instructions de mélange sur l'emballage. Des taux inférieurs à 50:1, (par exemple 60:1, 80:1, 100:1), diminuent la quantité de lubrifiant sur les pièces internes en mouvement du moteur et peuvent provoquer des détériorations.

Essence	50:1, huile 2 temps
1 gallon(3,78 litres)	2,6 onces (76 ml)
2,5 gallons (9,46 litres)	6,4 onces (189 ml)
5 gallons (18,9 litres)	12,8 onces (378 ml)

**INSTRUCTIONS DE MÉLANGE:** Mélangez toujours le carburant et l'huile dans un récipient propre approuvé pour l'essence. Marquez le bidon pour l'identifier comme mélange pour la souffleuse à dos. Remplissez le récipient d'essence sans plomb ordinaire jusqu'à la moitié de la quantité d'essence nécessaire. Ajoutez la quantité correcte d'huile et ensuite le reste d'essence. Fermez le bidon et secouez-le momentanément pour mélanger l'huile et l'essence avant de remplir le réservoir de la souffleuse à dos.



Lors du remplissage du réservoir de la souffleuse à dos, nettoyez le pourtour du bouchon afin d'éviter l'introduction de débris et de saletés au moment de son dévissage. Secouez toujours le bidon de mélange de carburant quelques instants avant de remplir le réservoir de carburant. Utilisez toujours un bec verseur ou un entonnoir lors du plein pour éviter un déversement. Remplissez le réservoir en laissant un espace de 0,6 à 1,2 cm en haut du réservoir. Ne remplissez pas la partie supérieure du col de remplissage.

### **REMARQUE:**

1. Ne mélangez jamais essence et huile directement dans le réservoir de la souffleuse à dos.

### **ATTENTION!**

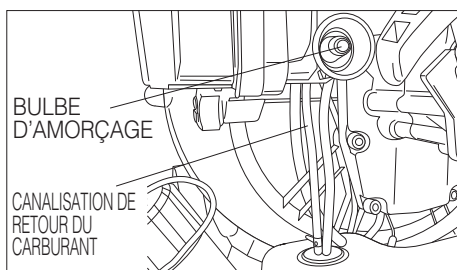
1. N'utilisez aucune huile certifiée Marine Manufacturer's Association (NMMA) ou BIA. Ce type d'huile moteur deux temps ne contient pas les additifs convenant aux moteurs 2 temps à refroidissement par air et risquent d'endommager le moteur.
2. N'utilisez pas d'huile moteur automobile. Ce type d'huile moteur ne contient pas les additifs convenant aux moteurs 2 temps à refroidissement par air et risque d'endommager le moteur.

# INSTRUCTIONS DE FONCTIONNEMENT

## DEMARRAGE

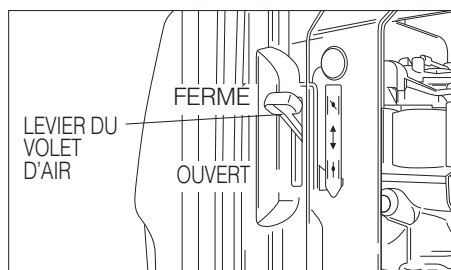
### ETAPEN°1)

Pompez la "POIRE D'AMORÇAGE" sous le carburateur jusqu'à ce que du carburant apparaisse dans la "TUYAUTERIE DE RETOUR CARBURANT".



### ETAPEN°2)

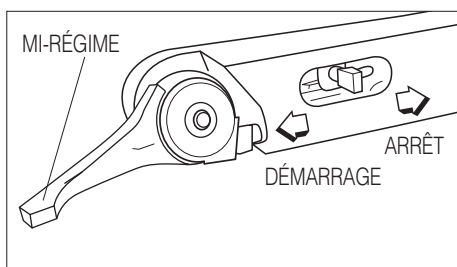
Abaissez au maximum la "TIRETTE DU STARTER" sur la position fermée. Si le moteur est déjà chaud, ouvrez le starter partiellement ou fermez-le complètement.



## HA Type

### ÉTAPEN°3)

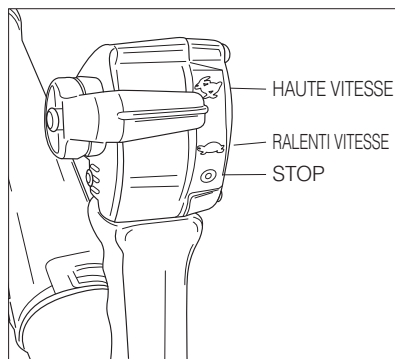
Tournez l'interrupteur Marche-Arrêt sur MARCHE. (Confirmation que l'interrupteur marche-arrêt se trouve sur la position de démarrage). Réglez la manette des gaz à mi-régime.



## Standard

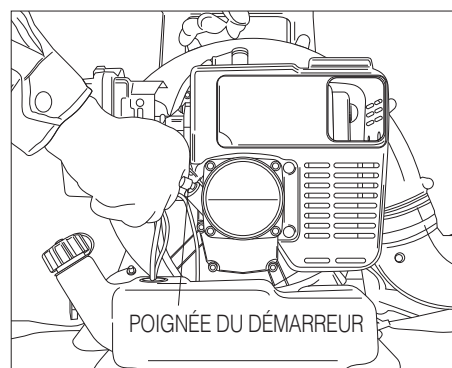
### ÉTAPEN°3)

Réglez la manette des gaz à mi-régime.

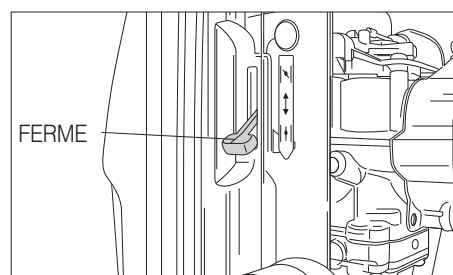


**ATTENTION !** Pressez en bas de "ABRI du FILTRE de l'AIR" et tirez fermement sur la "POIGNÉE DE DÉMARRAGE" afin de démarrer le moteur.

**REMARQUE :** Des tractions courtes sont nécessaires. Ne tirez jamais sur le cordon de démarrage à son extension maximum. Ne relâchez pas la poignée de démarrage avant qu'elle ne soit dans sa position complètement



ÉTAPEN°4) Faites chauffer le moteur.  
Une fois le moteur en marche, relevez la "TIRETTE DU STARTER" à fond en position ouverte. Laissez le moteur "CHAUFFER" à mi-régime, voire en dessous.

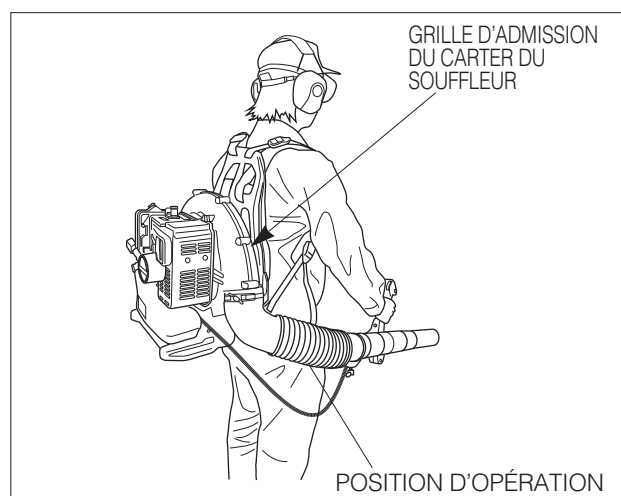


Si un moteur MARUYAMA refuse de démarrer après avoir appliqué les procédures ci-dessus, contactez un concessionnaire MARUYAMA.

## **UTILISATION DE LA SOUFFLEUSE À DOS**

Lorsque le moteur est chaud, la souffleur à dos peut être placée sur le dos de l'utilisateur.

Une fois la souffleur en place et prête à fonctionner, réglez les gaz à la vitesse requise pour la tâche.



### **! AVERTISSEMENT**

- N'utilisez jamais une souffleur motorisée quand vous êtes fatigué.
- N'utilisez jamais de souffleur motorisée sans les carters de protection ni les autres dispositifs de sécurité appropriés en place.

### **! AVERTISSEMENT**

Afin d'éviter une surchauffe et le blocage du moteur, l'air de refroidissement provenant de la grille arrière du boîtier du ventilateur est poussé par le ventilateur de la souffleur à travers une ouverture de ce boîtier en direction des ailettes du cylindre afin d'éloigner la chaleur de combustion. La grille et les ailettes du cylindre doivent rester propres et sans débris, poussière ou herbe. Une défaillance du moteur suite à un manque de maintenance normale n'est pas couverte par la garantie.

## **ARRÊT DU MOTEUR**

Faites toujours fonctionner le moteur au ralenti pendant quelques minutes afin de permettre le refroidissement avant arrêt. Pour arrêter le moteur, le levier de contrôle des gaz doit se trouver sur la position de ralenti avant de basculer l'interrupteur marche-arrêt sur la position "ARRÊT".

# MAINTENANCE RÉGULIÈRE

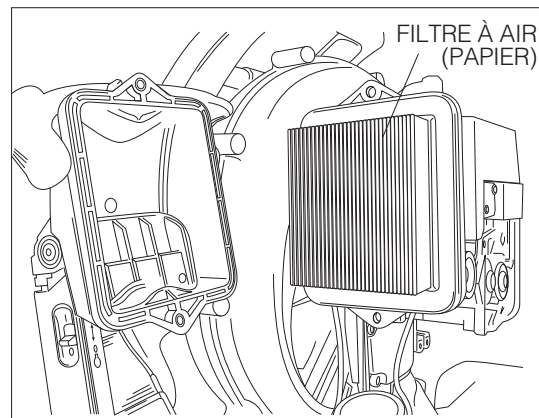
Avant chaque utilisation, la souffleuse à dos doit être inspectée afin de vérifier son montage et le bon fonctionnement de tous les composants. Le serrage correct de toutes les attaches doit être vérifié. Recherchez toujours une éventuelle fuite de carburant.

**⚠ AVERTISSEMENT** N'essayez pas de démarrer ou de faire fonctionner une souffleuse avec une fuite de carburant.

## FILTRE À AIR

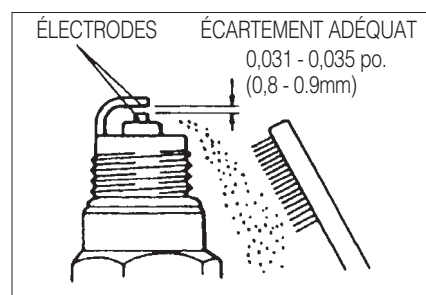
Le filtre à air doit être inspecté lors de chaque utilisation de la souffleuse (ou plus souvent dans des conditions extrêmes).

Pour procéder à une inspection, ouvrez le couvercle du filtre à air et retirez-le de son logement. Nettoyer le filtre à air en tapant doucement avec un solvant approprié. Le filtre doit être parfaitement sec avant d'être utilisé à nouveau.



## BOUGIE

La bougie doit être déposée du moteur et vérifiée toutes les 50 heures de fonctionnement. Les bornes de cette dernière doivent être nettoyées avec une brosse dure. L'écartement doit se situer entre 0,031 et 0,035 po. (Reportez-vous au dessin). Remplacez la bougie si elle est salie d'huile ou endommagée.



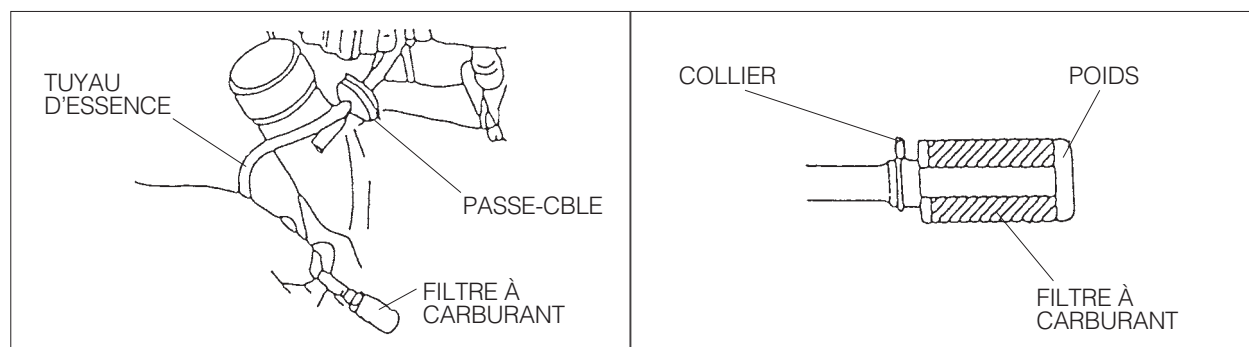
## **ATTENTION !**

Le couple de serrage correct d'une bougie se situe entre 10 et 12 pieds/livre. Attention, évitez tout serrage excessif.

## FILTRE À CARBURANT

Le filtre à essence doit être nettoyé et inspecté à la recherche de détériorations toutes les 20 heures de fonctionnement.

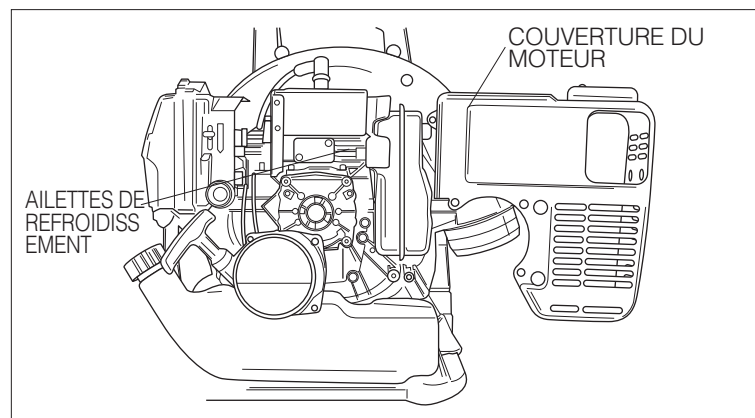
Le filtre à essence est fixé à l'extrémité de la conduite de prise d'essence dans le réservoir de carburant. Desserrez le collier et extrayez le filtre à essence.



Pour nettoyer le filtre à carburant, retirez-le de la canalisation de carburant et lavez-le avec un solvant de sécurité. Inspectez et nettoyez le réservoir de carburant avant de réinstaller le filtre à carburant. Remplacez toujours un filtre à carburant défectueux.

## **AILETTES DE REFROIDISSEMENT**

Le libre passage de l'air à travers les ailettes de refroidissement du cylindre est nécessaire pour prévenir les mauvaises performances du moteur et le raccourcissement de sa vie. Vérifiez et nettoyez régulièrement tous les débris des ailettes de refroidissement en retirant le capot du moteur (voir le croquis).



## **SILENCIEUX ET ORIFICES D'ÉCHAPPEMENT**

Le silencieux doit être déposé et entretenu toutes les cinquante heures de fonctionnement. Lors de cette opération, les orifices d'échappement doivent être nettoyés et inspectés. Un CONCESSIONNAIRE MARUYAMA doit être contacté pour effectuer cet entretien.

## **NETTOYAGE ET SERRAGE GÉNÉRAUX**

La souffleuse à dos MARUYAMA assurera des performances maximum pendant très longtemps si elle est correctement entretenue. Un entretien correct comprend une vérification régulière du serrage de la visserie et le nettoyage de toute la machine. Contactez un concessionnaire agréé MARUYAMA pour des conseils supplémentaires concernant l'entretien et la maintenance de l'appareil.

# **ENTREPOSAGE**

Pour un entreposage de longue durée de la souffleuse, procédez à une maintenance et aux réparations nécessaires. Videz le réservoir d'essence. Déconnectez la tuyauterie d'arrivée d'essence sur le carburateur et appuyez sur la poire d'amorçage jusqu'à ce que le liquide cesse de s'écouler par le tuyau de retour de carburant.

Démarrez le moteur et laissez-le fonctionner jusqu'à ce qu'il s'arrête. Tirez quelquefois sur le cordon du démarreur afin d'éliminer le carburant en excès du moteur. Retirez la bougie et insérez une petite quantité d'huile dans le cylindre. Tirez doucement sur le cordon de démarrage et amenez le piston au plus proche de l'ouverture de la bougie. Réinstallez la bougie. Appliquez une fine couche d'huile sur toutes les surfaces métalliques et rangez la souffleuse à dos dans un lieu sec.

# INFORMATIONS ANTIPOLLUTION

## **INFORMATIONS SUR LE CARBURANT**

CE MOTEUR EST CERTIFIÉ POUR NE FONCTIONNER QU'AVEC DE L'ESSENCE NORMALE SANS PLOMB. L'indice d'octane de 87 au minimum à l'index antidétonant est recommandé. L'index antidétonant est affiché sur les pompes des stations-service aux États-Unis.

## **INFORMATIONS ANTIPOLLUTION**

Afin de protéger l'environnement dans lequel nous vivons, Kawasaki a incorporé un système de contrôle antipollution de l'échappement (EM) conformément aux règlements édictés par le California Air Resources Board.

## **LE SYSTEME DE CONTROLE D'EMISSION DES VAPEURS DE CARBURANT ET DE L'ECHAPPEMENT**

Le système réduit la quantité de polluants déchargés dans l'atmosphère par l'échappement de ce moteur. Le réservoir à carburant, le système d'allumage et d'échappement de ce moteur ont été soigneusement conçus et construits pour assurer un moteur efficace ayant un bas niveau de polluant de l'échappement et d'émission de vapeurs de carburant.

Si vous avez acheté votre (souffleur, taille-bordure, taille-haie) dans l'état de Californie, le moteur inclut le système de pot catalytique et le réservoir à carburant inclut le système d'émission de vapeurs de carburant.

## **MAINTENANCE ET GARANTIE**

La maintenance adéquate est nécessaire afin de s'assurer que le moteur continuera à générer le minimum de pollution. Ce manuel du propriétaire contient ces recommandations de maintenance du moteur. Les articles identifiés sur le Tableau de maintenance périodique sont nécessaires afin d'assurer la conformité avec les normes en vigueur. La garantie du système de contrôle antipollution Maruyama impose expressément de retourner le moteur à un concessionnaire Maruyama afin de procéder aux réparations sous garantie. Veuillez lire la garantie avec attention et lui conserver toute sa validité en vous conformant aux obligations du propriétaire qu'elle contient.

## **TOUTE MANIPULATION DES SYSTÈMES DE CONTRÔLE ANTIPOLLUTION EST INTERDITE**

Les lois de l'état de Californie interdisent les actes suivants ou ce qui les provoque : (1) Déposer ou rendre inopérant par quiconque autrement que dans un but de maintenance, de réparation ou de remplacement, d'un dispositif ou d'un élément incorporé à dessin dans un moteur neuf dans le but de contrôler la pollution avant sa vente ou sa livraison au dernier acheteur ou pendant qu'il est en l'utilisation ou (2) l'utilisation du moteur après qu'un tel dispositif ou élément incorporé à dessin a été déposé ou rendu inopérant par quiconque.

Parmi les actes considérés comme constituant une manipulation se trouvent les actes répertoriés cidessous :

N'opérez aucune manipulation des pièces originales destinées à réduire la pollution :

- Carburateur et pièces internes
- Bougies
- Magnéto ou système d'allumage électronique
- Filtre à carburant
- Élément de filtre à air
- Réservoir de carburant
- Muffler ou toute partie interne de l'échappement

# RECOMMANDATIONS SUR LE CARBURANT

## CARBURANT

Les moteurs Kawasaki TK 2 temps nécessitent un mélange d'essence et d'huile. Utilisez seulement de l'essence normale sans plomb, propre et neuve.

### **Indice d'octane**

L'indice d'octane d'une essence correspond à la mesure de sa résistance au " cognement ". Nous recommandons l'utilisation d'une essence dont l'indice d'octane est de 87 au minimum à l'index antidétonant. L'index antidétonant est affiché sur les pompes des stations-service aux États-Unis.

### **REMARQUE:**

- Si le moteur " cogne " ou cliquette, utilisez une marque différente de carburant ou un carburant dont l'indice d'octane est plus élevé.

### **⚠ AVERTISSEMENT: ⚠**

L'essence est extrêmement inflammable et peut exploser dans certaines conditions. Mettez d'interrupteur sur ARRÊT. Ne fumez pas. Assurez-vous que la zone est bien ventilée et qu'il n'y existe aucune source de flammes ou d'étincelles : ceci comprend tout dispositif avec une veilleuse.

## MÉLANGE DE L'HUILE D'UN MOTEUR 2 TEMPS

L'huile doit être mélangée avec de l'essence afin de lubrifier le piston, le cylindre, le vilebrequin, les roulements et l'embellage. Huile moteur préconisée : Marque d'huile 2 temps refroidissement par air Rapport de mélange huile/essence : 50 : 1 (essence 50, huile moteur 2 temps 1)

### **REMARQUE:**

- Ne mélangez pas l'essence et l'huile directement dans le réservoir.
- La qualité du graissage de ce mélange se détériore rapidement.
- N'utilisez pas d'essence ayant été stockée depuis plus de deux mois.
- Afin d'assurer un bon démarrage par temps froid, de l'essence neuve de qualité hiver doit être utilisée.

**ATTENTION:** Le moteur est livré sans carburant.

# RÉGLAGES

## RÉGLAGE DU RALENTI

1. Le réglage du ralenti est le seul disponible.
2. N'essayez pas de manipuler les réglages du carburateur afin d'augmenter la vitesse maximum de rotation du moteur.
3. Si un réglage est nécessaire, faites-le effectuer par votre concessionnaire service agréé MARUYAMA.

La mise au point du carburateur est effectuée à l'usine et n'est pas réglable sans démontage du carburateur.

# MAINTENANCE

## TABLEAU DES MAINTENANCES PÉRIODIQUES

### ⚠ AVERTISSEMENT: ⚠

Déconnectez toujours le capuchon de bougie de la bougie pour procéder à une maintenance du moteur afin d'éviter tout démarrage accidentel.

MAINTENANCE	Intervalles				
	Quotidienne	Les premières 20 h	Toutes les 20 h	Toutes les 50 h	Toutes les 100 h
Vérification et complément du plein.	●				
Recherche de fuites de carburant.	●				
Vérification des boulons, écrous et vis, si desserrés ou perdus.	●				
Nettoyage du filtre à carburant.			●		
★ Nettoyage du filtre à air			●		
Serrage des boulons et écrous		●		●	
Nettoyage de la bougie et réglages des électrodes				●	
★ Retirer la poussière et la saleté des ailettes de refroidissement.				●	
M Nettoyage des dépôts de carbone sur la tête de piston et dans le cylindre.				●	
M Nettoyage des dépôts de carbone dans le silencieux de l'échappement.				●	
M Nettoyage de l'écran du pare-étincelles (le cas échéant)				●	
M Vérification de la partie coulissante du vilebrequin, de l'embellage, etc.					●
Tuyau de carburant.	Il est recommandé de le remplacer tous les 3 ans.				

Remarque: Les intervalles de maintenance indiqués doivent être utilisés en tant que guide. La maintenance peut être réalisée plus fréquemment en fonction des conditions d'utilisation.

M: Maintenance devant être réalisée par un concessionnaire Maruyama.

★: Maintenance plus fréquente dans des conditions poussiéreuses.



# INDICE

Prefacio .....	1	Antes de la Operación .....	5
Iconos de Seguridad .....	1	Instrucciones de Operación .....	8
Garantía .....	2	Mantenimiento Corriente .....	10
Instrucciones de Seguridad .....	3	Almacenamiento .....	11
Especificaciones .....	4	Información Sobre Control de Emisiones.....	12
Instrucciones de Armado.....	4		

## PREFACIO

Este Manual del Propietario u Operador está diseñado para familiarizar al operador con las diversas características y piezas componentes del equipo, y también para ayudarlo con el armado, la operación y el mantenimiento de su nueva sopladora de cargar a la espalda.

**Es esencial que todo operador de este producto, Sopladora de Espalda, lea y entienda el contenido de este manual antes de usar la Sopladora de Espalda.**

Las instrucciones importantes sobre seguridad se identificarán mediante el siguiente icono:



El no observar las instrucciones de este manual, puede producir lesiones graves o incluso la muerte.

Para asistencia adicional, póngase en contacto con cualquier distribuidor local autorizado de Maruyama o con Maruyama U.S., Inc. 4770 Mercantile Drive, suite100, Fort Worth, TX 76137 U.S.A.

Teléfono: 940-383-7400

Página de Internet: [www.maruyama-us.com](http://www.maruyama-us.com)

## SIMBOLOS DE SEGURIDAD DEL MANUAL

En este manual y en el producto mismo, usted encontrará alertas de seguridad y útiles mensajes informativos precedidos por iconos o palabras claves. A continuación una explicación de esos iconos y de las palabras claves y de lo que significan para usted.



Este icono, acompañado de las palabras ADVERTENCIA y PELIGRO llama su atención hacia un acto o una condición que puede conducir a que el operador o quienes están cerca, sufran lesiones graves.

## Etiqueta de advertencia

- Limpie la suciedad o el barro de la unidad para que las indicaciones siempre estén legibles.
- Encontrará las siguientes etiquetas de alarma fijadas en la unidad.

Etiquetas de alarma



**Lea detenidamente el Manual del Propietario u Operador.**  
Asegúrese de haber leído completamente el Manual del Propietario u Operador antes de operar la unidad.



**Use elementos de protección.**  
Use en el trabajo elementos de protección tales como: casco, gafas de seguridad, tapones para los oídos, etc.,



**Prevención de incendios.**  
Nunca maneje combustible o haga mantenimiento de la unidad cerca de un fuego abierto.



**Precauciones con el gas de escape.**  
Tenga cuidado de no respirar el gas de escape del motor de la unidad.



**Precauciones con las piezas calientes.**  
El silenciador del motor, las aletas de cilindro, y otras piezas de la unidad funcionan a altas temperaturas. No las toque.



## Declaración de Garantía Limitada

Todos los productos Maruyama están garantizados al comprador original como libres de defectos en materiales y mano de obra **desde la fecha de compra** y por los períodos de tiempo que se relacionan a continuación:

**De por vida** para los ejes de propulsión interiores en cortadores de maleza y todos los módulos de encendido.

**5 años** para uso comercial y residencial.

**1 año** para uso de alquiler.

Todos los motores Maruyama y Kawasaki TK45/TK65 están cubiertos exclusivamente por 5 años de uso industrial, comercial, institucional y de producción de ingresos. Estos motores son garantizados por un año de uso de alquiler.

Esta garantía estará en pleno efecto considerando que el motor sea operado por el período de optimización de 80 horas usando aceite de 2 tiempos Premium de Maruyama. Después del período de optimización, el motor siempre debe ser operado con aceite de 2 tiempos Premium de Maruyama o equivalente a aceite de 2 tiempos ISO-L-EGD y JASO FC 2.

Al comprador no se le cobrará la mano de obra de diagnóstico que conduzca a la determinación del defecto de una parte garantizada, si el trabajo de diagnóstico lo realiza un distribuidor Maruyama.

Cualquier parte garantizada que no esté programada para reemplazo como mantenimiento requerido, o que esté programada únicamente para inspección regular con el propósito de "reparar y reemplazar según sea necesario" se garantizará durante el período de garantía. Cualquier parte garantizada que esté programada para reemplazo como mantenimiento requerido, se garantizará por el período de tiempo hasta el primer reemplazo programado para esa parte. Maruyama Mfg. Co. Inc. es responsable por los daños a otros componentes, causados por la falla de una parte garantizada, todavía bajo garantía.

El comprador es responsable de cumplir con el mantenimiento requerido, según lo define Maruyama Mfg. Co., Inc. en el Manual del Propietario u Operador.

**GARANTIA DE LAS PARTES RELACIONADAS CON EMISION GASES DE ESCAPE :** Además del cubrimiento de la garantía anterior, Maruyama Mfg. Co., Inc. reparará o reemplazará, sin costo alguno para el comprador original y cada comprador subsiguiente, cualquier parte o partes relacionadas con emisión de gases de escape, que se encuentren defectuosas en material o mano de obra, durante dos (2) años a partir de la fecha de la entrega original al detal. **Las partes relacionadas con la emisión son el conjunto del carburador, el conjunto de la bobina de ignición, el rotor de ignición, la bujía, el convertidor catalítico y el estanque de combustible.** Se puede usar cualquier repuesto equivalente en desempeño y durabilidad, en reparaciones o mantenimientos no de garantía y ello no reducirá las obligaciones de garantía de Maruyama Mfg. Co., Inc.

**Esta garantía no cubre lo siguiente :**

1. Artículos de mantenimiento (excluyendo defectos en materiales y mano de obra) incluyendo mangueras, bujías, cuerda de arranque, filtros de aire y gasolina, zapatas de embrague, aisladores de vibración, cables del regulador y todos los aditamentos de corte, etc.
2. Gastos adicionales incluyendo despacho y manejo, transporte, pago por lucro cesante o falta de ingresos o por cualquier inconveniencia y almacenamiento.
3. Alteraciones o modificaciones incluyendo partes pos mercadeo no autorizadas por Maruyama U.S., Inc.
4. Desgaste, accidente, abuso, descuido, mal uso, negligencia, combustibles, lubricantes, mezclas de combustible inadecuados (cuando se aplique), o falla en la operación o mantenimiento del producto de acuerdo con las instrucciones aprobadas por Maruyama.

La reparación o reemplazo según se dispone bajo esta garantía, es el remedio exclusivo del consumidor. Maruyama no será responsable por ningún daño incidental o consecuencial por violación de cualquier garantía explícita o implícita en estos productos, excepto en la medida prohibida por la ley. Toda garantía implícita de comerciabilidad o adecuación para un propósito particular, sobre estos productos está limitada a la duración de los períodos de garantía, según se definen en la declaración de garantía limitada. Maruyama se reserva el derecho de cambiar o mejorar el diseño del producto sin aviso y no asume la obligación de actualizar los productos fabricados con anterioridad. Esta garantía otorga a usted derechos legales específicos, que pueden variar de un estado a otro. Es responsabilidad del Propietario y del Concesionario, asegurarse de que la Tarjeta de Registro de Garantía sea adecuadamente llenada y despachada por correo a Maruyama U.S., Inc. Con el objeto de obtener servicio de garantía, se requerirá prueba de la compra y del registro. Para encontrar un Centro de Servicio Autorizado Maruyama, contacte Maruyama U.S., Inc. al 1-940-383-7400

**Maruyama U.S., Inc.**  
4770 Mercantile Drive, suite100,  
Fort Worth, TX 76137 U.S.A.



## ADVERTENCIA



1. Antes de usar la sopladora, lea cuidadosamente y entienda a cabalidad este Manual del Propietario u Operador. Familiarícese a fondo con el uso adecuado de la sopladora.
2. Nunca permita que los niños operen esta sopladora. No es un juguete. Nunca permita que los adultos operen la unidad sin haber leído antes el Manual del Propietario u Operador.
3. Familiarícese con los controles y aprenda cómo apagar el motor rápidamente.
4. Use siempre la protección para los ojos y la protección para los oídos.
5. Mantenga el área de operación libre de personas, particularmente de niños pequeños y de mascotas.
6. No dirija la boquilla de la sopladora hacia personas o mascotas.
7. Nunca opere una sopladora si usted está fatigado.
8. Nunca opere una sopladora sin tener puestas o en su lugar, las protecciones adecuadas y los demás dispositivos de seguridad.
9. Vístase adecuadamente; no use prendas de vestir muy amplias, ni joyas que puedan quedar atrapadas en las piezas móviles. Siempre use calzado firme, pantalones largos, y camisa de manga larga.
10. La gasolina es altamente inflamable, manéjela cuidadosamente.
  - A. No fume mientras maneja gasolina.
  - B. Use un recipiente aprobado para combustibles, para almacenar la mezcla de gasolina y aceite.
  - C. No llene el tanque de combustible cuando el motor está caliente o en marcha.
  - D. Llene el tanque de combustible estando en el exterior y únicamente hasta media pulgada antes del borde superior del tanque. No llene el cuello de llenado.
  - E. Antes de poner el motor en marcha, limpie la gasolina que se haya derramado.
11. Siempre asegúrese de estar bien calzado; sostenga con firmeza los tubos de la sopladora, y camine, nunca corra, cuando opere una sopladora.
12. Use los accesorios correctos. No use la sopladora para realizar una labor diferente de aquellas para las cuales se ha fabricado la sopladora.
13. Mantenga apretados todos los sujetadores y asegúrese de que la sopladora esté en condiciones seguras de operación. Observe las instrucciones de mantenimiento que se suministran en las páginas 10 – 12 de este manual.
14. No ponga las manos ni los pies cerca ni debajo de las piezas giratorias. Manténgase fuera de su alcance en todo momento.
15. Si la sopladora empezara a vibrar en forma anormal, detenga el motor inmediatamente y revise la unidad para descubrir la causa. Generalmente la vibración es la señal de un problema.
16. Evite el uso de la sopladora cerca de rocas, gravilla, piedras y material similar, con el objeto de evitar el peligro de desechos lanzados.
17. Use la sopladora únicamente a la luz del día o bajo una buena luz artificial.
18. No permita la presencia de personas en el área de trabajo.
19. No opere sin tener puestas las debidas protecciones.
20. No opere en un área sin ventilación.
21. Para reducir el riesgo de lesiones asociadas con la inhalación de polvo, bajo condiciones polvorientas use máscara con filtro facial.
22. Para reducir el riesgo de lesiones, asociadas con contactos con piezas giratorias, detenga el motor antes de instalar o de remover accesorios.
23. Para reducir el riesgo de incendio y quemaduras:
  - Antes de dar arranque al motor, aléjese por lo menos 10 pies ( 3 metros) del punto de abastecimiento de combustible.
  - Siempre almacene la gasolina en un recipiente aprobado.

### Técnicas de Operación

- A. Únicamente opere el equipo en horas razonables – ni temprano en la mañana ni tarde en la noche, cuando puede molestar a los demás. Cumpla los horarios que aparecen en las ordenanzas locales. Las recomendaciones usuales son de 9:00 a.m. a 5:00 p.m., de lunes a sábado.
- B. Para reducir los niveles de ruido, limite el número de piezas de equipo usadas al mismo tiempo.
- C. Para reducir los niveles de ruido, opere las sopladoras a la más baja velocidad posible para realizar el trabajo.
- D. Revise su equipo antes de la operación, especialmente el silenciador de ruido, las entradas de aire y los filtros de aire.
- E. Use rastrillos y escobas para aflojar los desechos antes de soplar.
- F. Bajo las condiciones polvorientas, humedece las superficies cuando agua es aprovechable.
- G. Conserve el agua usando las sopladoras en lugar de mangueras y agua lanzada en muchas aplicaciones de limpieza de césped y jardín, incluyendo áreas tales como cunetas, rejillas, patios, parrillas, porches y jardines.
- H. Tenga cuidado con los niños, mascotas, ventanas abiertas, o carros recién lavados, y sople los desechos fijándose que se alejen sin presentar peligro.
- I. Use toda la extensión de la boquilla de la sopladora de manera que la corriente de aire pueda trabajar cerca del suelo.
- J. Después de usar las sopladoras y demás equipos, ¡LIMPIELAS! Bote los desechos en receptáculos para la basura.

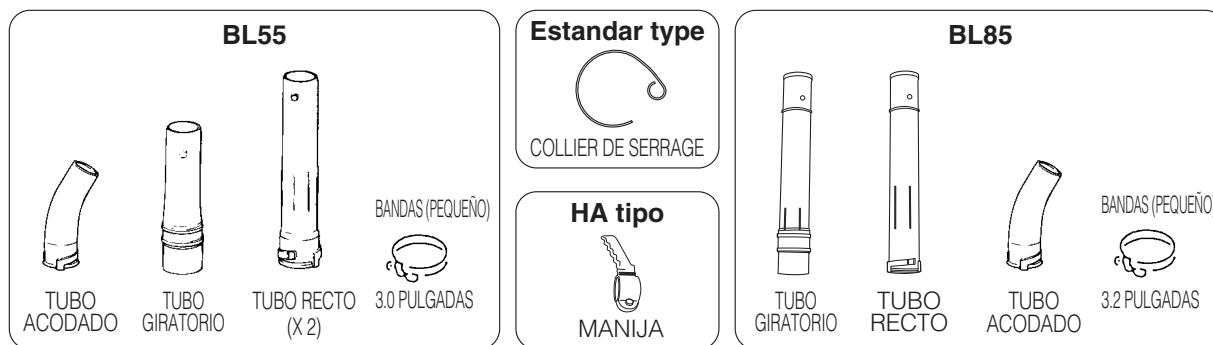
# ESPECIFICACIONES

Modelos		BL55	BL85
Dimensiones L x A x A	Estandar	14.4 x 19.1 x 20.1 pulg (365 x 485 x 535 mm)	
	HA Tipo	14.4 x 20 x 20.1 pulg (365 x 510 x 535 mm)	
Peso Seco		19.6 libras (8.9 kg)	20.1 libras ( 9.6 kg)
Tipo de Motor		TK 45 para EPA	Kawasaki/2-Recorrido Enfriado por Aire TK 65 para EPA
Desplazamiento		45.4 cc.	64.7 cc.
Sistema de Ignición		Eléctrico	
Carburador		Diafragma de toda posición	
Capacidad del Tanque de Combustible		2.1 qts. (2.0 litros)	
Mezcla de Combustible		50:1 Use aceite Maruyama 50:1 para Motor de 2 Ciclos o cualquier aceite de calidad para motores de 2 ciclos, diseñado para usarse en motores de 2 ciclos, enfriados por aire y de alto desempeño.	

LA SOPLADORA DE CARGAR A LA ESPALDA MARUYAMA viene con un Manual del Propietario u Operador y una Tarjeta para Registro de la Garantía. Es necesario armar y colocar el soporte de la palanca de aceleración y los tubos de la sopladora.

## INSTRUCCIONES PARA EL ARMADO

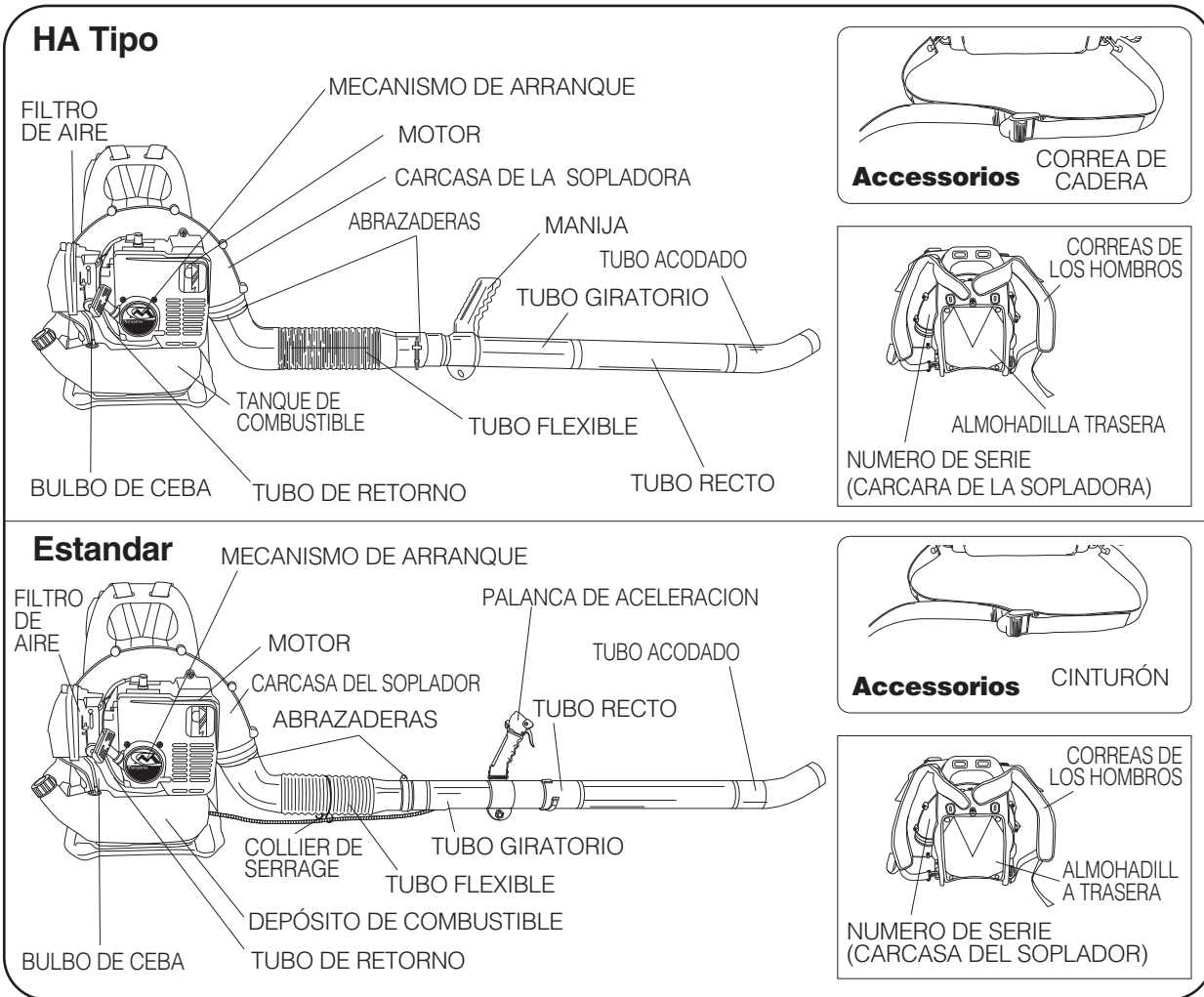
PASO 1) Localice e identifique todos los componentes (vea dibujo).



PASO 2) Prepare un destornillador de cabeza plano, Usando las ABRAZADERAS, conecte el TUBO FLEXIBLE al soplador, y el TUBO GIRATORIO al tubo flexible (vea el bosquejo).

PASO 3) Arme el conjunto de TUBO RECTO, EL TUBO EN ANGULO, y la CABEZA DEL VENTILADOR, luego conéctelo al tubo giratorio (ver bosquejo).

PASO 4) Fije el soporte de la palanca de aceleración a la carcasa de la sopladora (vea las instrucciones en la página 5).



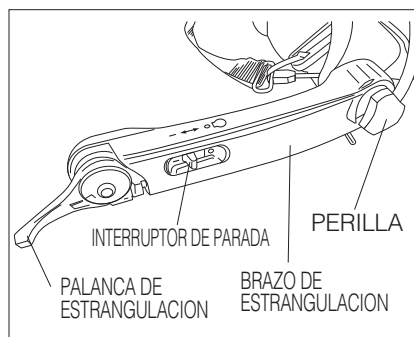
# ANTES DE OPERAR LA UNIDAD

Asegúrese de que la sopladora esté correctamente armado y de que todos los sujetadores y acoples estén bien asegurados.

## PALANCA DE ACELERACION

### HA Tipo

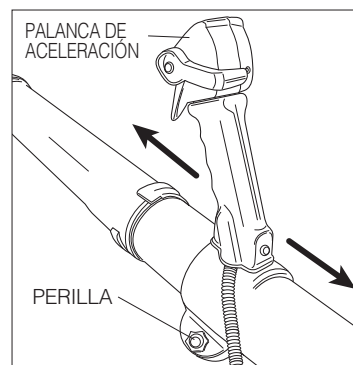
Antes de operar el soplador de energía, libera la manija, gira el brazo de estrangulación a la posición en la ilustración, y aprieta la manija para fijar en su sitio.



Cuando la sopladora se usa con correas a la espalda del operador, la palanca de aceleración del "Estandar" queda localizada al lado izquierdo.

### Estandar

Antes de utilizar el soplador, suelte la perilla, haga girar el brazo del acelerador hasta la posición que se muestra en la ilustración, y apriete la perilla.



## 1. Apagado del motor

Antes de apagar el motor, póngalo en marcha al vacío por un corto tiempo.

- Nunca apague el motor cerrando el regulador de aire.
- Nunca apague el motor mientras esté operando a velocidad mayor de la de marcha al vacío.

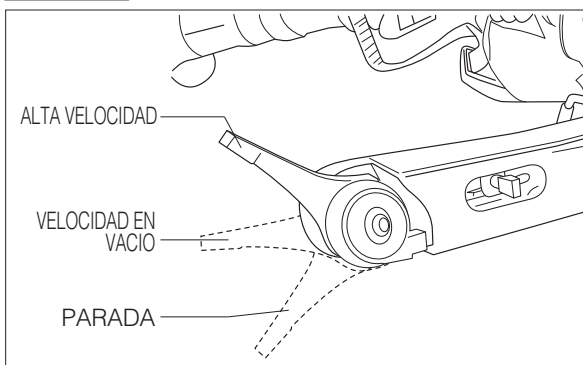


**¡PRECAUCIÓN!**

## 2. Transporte y almacenamiento

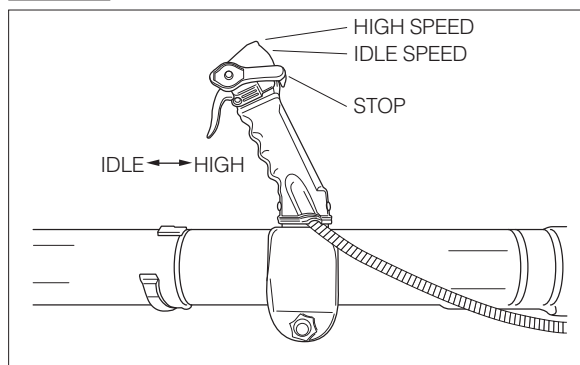
- Apague el motor y déjelo enfriar antes de transportar o guardar la unidad.
- No coloque la unidad sobre grama seca o cerca de cualquier material inflamable antes de que el motor se haya enfriado.

### HA Tipo



La posición más baja de la palanca de aceleración es la graduación de "MARCHA EN VACIO", y la posición más alta es la graduación de "ACELERACIÓN COMPLETA".

### Estandar



La posición más baja de la palanca de aceleración es la graduación de "MARCHA EN VACIO", y la posición más alta es la graduación de "ACELERACIÓN COMPLETA".

## **COMBUSTIBLE: MEZCLA DE GASOLINA Y ACEITE**

**PRECAUCION!** El motor usado en esta Sopladora de Espalda es un diseño de 2 ciclos. Las piezas móviles internas del motor, esto es, los cojinetes del cigüeñal, los cojinetes del pasador del pistón y las superficies de la pared de contacto entre el pistón y el cilindro, requieren aceite mezclado con gasolina para su lubricación. Si no se agrega aceite a la gasolina, o si la mezcla de gasolina y aceite no se realiza en la proporción correcta, se causará un daño grave al motor y se anulará la garantía. Para la pre-mezcla de combustible, use Aceite Maruyama 50:1 para 2 Ciclos, o un aceite de buena calidad diseñado para motores de 2 ciclos, enfriados por aire.

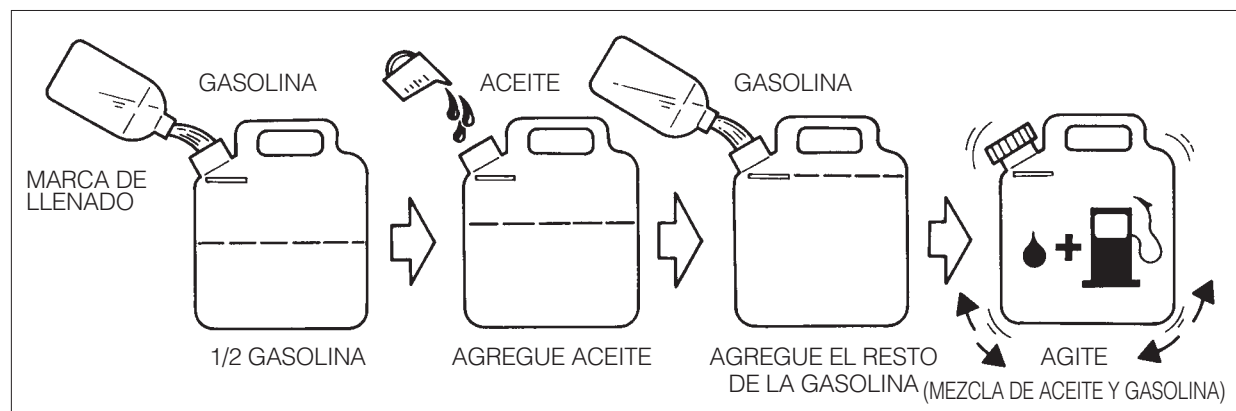
**MEZCLA DE COMBUSTIBLE:** Cuando use aceite Maruyama genuino 50:1 para 2 ciclos, o un aceite de buena calidad diseñado para motores de 2 ciclos enfriados por aire, la proporción de aceite es 50 partes de gasolina por 1 parte de aceite, o 50:1.

## **COMBUSTIBLE: MEZCLA DE GASOLINA Y ACEITE**

**PRECAUCION!** Si no usa aceite marca Maruyama, nunca use una proporción de mezcla menor de 50:1, sin importar las instrucciones de mezcla del empaque del aceite. Las proporciones menores de 50:1 (por ejemplo, 60:1, 80:1, 100:1), reducen la cantidad de lubricación de las piezas internas móviles del motor y pueden causar daños.

<b>Gasolina</b>	<b>Aceite 50:1 para 2 Ciclos</b>
1 galón (3,78 litros)	2.6 onzas (76 ml)
2-1/2 galones (9,46 litros)	6.4 onzas (189 ml)
5 galones (18,9 litros)	12.8 onzas (378 ml)

**INSTRUCCIONES DE MEZCLA:** Siempre mezcle el combustible y el aceite en un recipiente limpio, aprobado para gasolina. Marque el recipiente para identificarlo como mezcla de combustible para Sopladora de Espalda. Usando gasolina regular sin plomo, llene el recipiente con la mitad de la cantidad de gasolina que se requiere. Agregue la cantidad correcta de aceite al recipiente, luego agregue la cantidad restante de gasolina. Cierre el recipiente y agítelo momentáneamente para mezclar bien el aceite y la gasolina antes de llenar el tanque de la Sopladora de Espalda.



Cuando llene de nuevo el tanque de combustible, limpie alrededor de la tapa del tanque para evitar que mugre y desechos entren al tanque cuando está destapado. Siempre agite momentáneamente el recipiente con la premezcla de combustible, antes de llenar el tanque.

Use siempre una boquilla o embudo cuando reabastezca el combustible, para reducir las salpicaduras. Llene el tanque sólo hasta que falte 1/2 pulgada (6 – 12 mm) para llegar al borde. No llene hasta el final del cuello del tanque.

### **NOTA:**

1. Nunca mezcle gasolina y aceite directamente en el el tanque de la sopladora de espalda.

### **¡CUIDADO!**

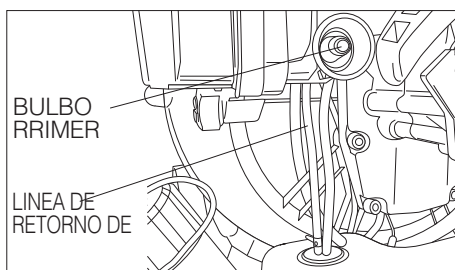
1. No use aceites certificados por la Asociación Nacional de Fabricantes Marinos (NMMA) o BIA. Estos tipos de aceites para motores de dos ciclos no tienen los aditivos adecuados para motores de dos ciclos, enfriados por aire y pueden causar daño en el motor.
2. No use aceite motor para automóviles. Este tipo de aceite no tiene los aditivos adecuados para motores de dos ciclos, enfriados por aire y puede causar daño al motor.

# INSTRUCCIONES DE OPERACION

## PROCEDIMIENTO DE ARRANQUE

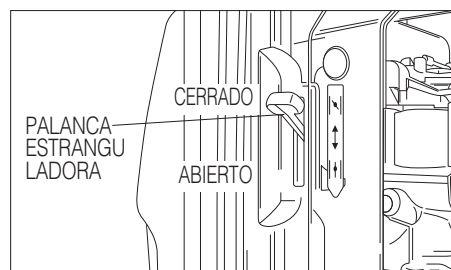
### PASO 1)

Bombear el "BULBO DE CEBA" bajo el carburador, hasta que el combustible se vea fluir a través de la "LINEA DE RETORNO DE COMBUSTIBLE".



### PASO 2)

Mueva la "PALANCA DE REGULACION DE AIRE" totalmente hacia abajo, hasta la posición cerrada. Si el motor ya está caliente, solo se necesitará una graduación parcial o abierta (sin regulación de aire).

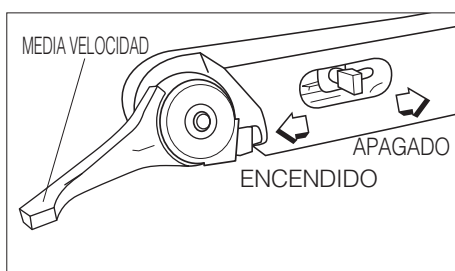


### HA Tipo

#### PASO 3)

Ponga el interruptor de arranque en la posición de ENCENDIDO. (Confirme que el interruptor de arranque esté en la posición de ENCENDIDO).

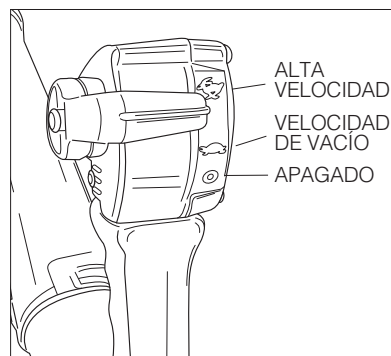
Ponga la palanca del acelerador en media velocidad.



### Estandar

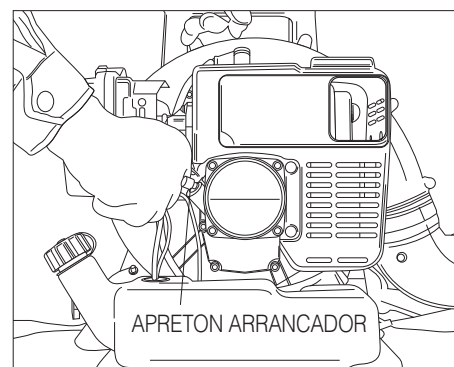
#### PASO 3)

Ponga la palanca del acelerador en media velocidad.



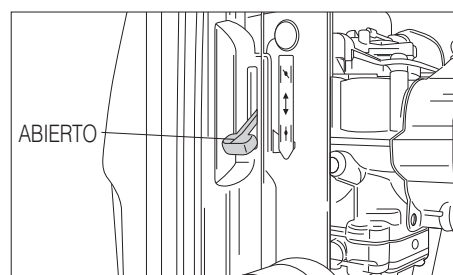
**¡PRECAUCION!** Abrume down el "Tapa de filtro de aire" y Tire vigorosamente de la "MANIJA DE ARRANQUE" para arrancar el motor.

**NOTA:** Sólo se necesitan tiros cortos. Nunca tire del cordón de arranque hasta su máxima extensión. Nunca suelte la manija de arranque hasta que ésta no haya regresado a su posición inicial.





- PASO 4) Caliente el motor.  
 Cuando el motor haya arrancado, mueva lentamente la PALANCA DE REGULACION DE AIRE totalmente hacia arriba, hasta la posición abierta. Permita que el motor se "CALIENTE" por lo menos a media velocidad.



Si un motor MARUYAMA no arranca después de seguir los procedimientos anteriores, póngase en contacto con un distribuidor MARUYAMA autorizado.

## **OPERACIÓN DE LA SOPLADORA**

Cuando el motor se ha calentado, la Sopladora se puede colocar en la espalda del operador.

Cuando la Sopladora está colocada y lista para la operación, ajuste el regulador a la velocidad requerida para realizar la tarea.



### **! ADVERTENCIA**

- Nunca opere una Sopladora de Espalda cuando esté fatigado.
- Nunca opere una Sopladora de Espalda sin tener en su lugar las protecciones adecuadas u otros dispositivos de seguridad.

### **! ADVERTENCIA**

Para evitar recalentamiento y colapso del motor, el aire de enfriamiento entra a través de la rejilla trasera de la carcasa del ventilador y el ventilador de la sopladora lo impulsa a través de una abertura en la carcasa del ventilador, sobre el área de las aletas del cilindro, sacando así el calor de la combustión. La rejilla y las aletas del cilindro deben mantenerse libres de pasto, polvo y de todo desecho. Esta garantía no cubre falla del motor debida a falta de "Mantenimiento Normal".

## **APAGADO DEL MOTOR**

Siempre haga funcionar el motor a velocidad de marcha en vacío durante unos pocos minutos para permitir que se enfríe antes de apagarlo. Para apagar el motor, mueva la palanca de control de aceleración hasta la posición de marcha en vacío, luego mueva el interruptor de arranque hasta la posición de "APAGADO".

# MANTENIMIENTO CORRIENTE

Antes de cada uso, es necesario inspeccionar la sopladora para asegurarse de que esté adecuadamente armado y todos sus componentes estén firmemente colocados. Revise todos los sujetadores para verificar que estén correctamente apretados. Siempre revise si hay fugas de combustible.

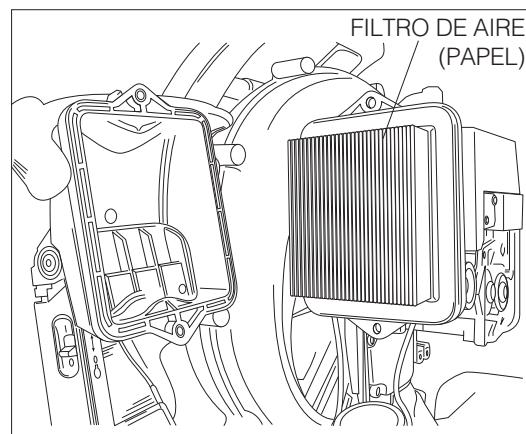
**⚠ ADVERTENCIA** No intente arrancar u operar una sopladora que muestre fuga de combustible.

## FILTRO DE AIRE

El filtro de aire se debe inspeccionar cada vez que se usa la sopladora (o con más frecuencia bajo condiciones extremas).

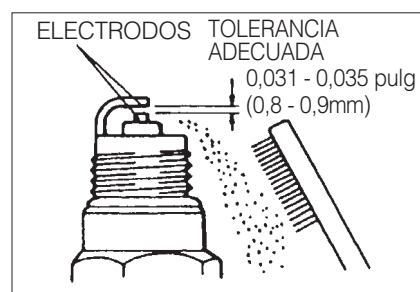
Para realizar la inspección, retire la tapa del filtro de aire y retire el filtro de la caja.

Limpia un filtro (unos filtros) de aire, sacando un elemento con cuidado o lo limpiando con un solvente apropiado. El filtro debe ser completamente secado antes de usarlo otra vez.



## BUJIA

La bujía debe retirarse del motor y revisarse después de cada cincuenta (50) horas de uso. Los electrodos se pueden limpiar con un cepillo metálico. Ajuste la tolerancia en 0.031 – 0.035 pulgadas (ver dibujo). Reemplace la bujía si se ha ensuciado con aceite.



## **PRECAUCION!**

La torsión correcta de la bujía es 10 – 12 pies-libra. No la apriete demasiado.

## FILTRO DE COMBUSTIBLE

El filtro de combustible se debe limpiar e inspeccionar en busca de daños después de cada veinte (20) horas de uso. El filtro de combustible está fijado en el tubo de captación, dentro del tanque de combustible. Afloje la abrazadera y saque el filtro de aire.

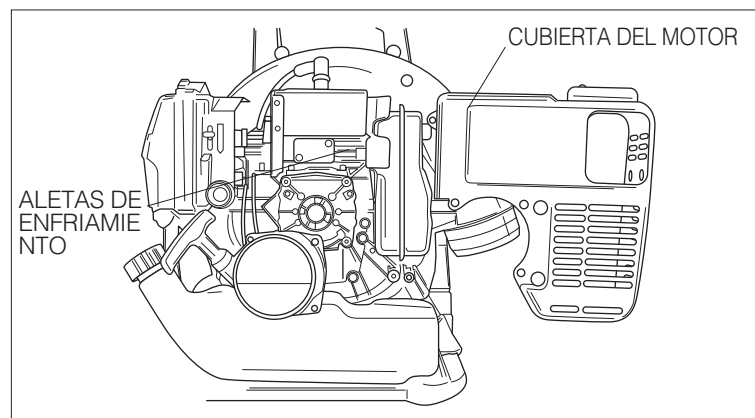


Para limpiar el filtro de combustible, lo quita al tubo de combustible y lo lava con solvente seguro. Inspecciona y limpia el tanque de combustible antes de reinstalar el filtro.

Siempre cambie un filtro defectuoso de combustible por un nuevo.

## **ALETAS DE ENFRIAMIENTO**

Se requiere el paso libre de flujo del aire a través de las aletas de enfriamiento del cilindro para prevenir rendimiento deficiente y duración corta del motor. Regularmente revisa y limpia todos los residuos de dichas aletas, quitando la cubierta del motor (ve el dibujo).



## **SILENCIADOR Y PUERTOS DE SALIDA**

El silenciador se debe quitar y se le debe dar servicio después de cada cincuenta (50) horas de uso. Al mismo tiempo, se deben limpiar e inspeccionar los puertos de salida de los gases de combustión. Este servicio se debe solicitar a un DISTRIBUIDOR MARUYAMA AUTORIZADO.

## **LIMPIEZA Y AJUSTE GENERALES**

La sopladora MARUYAMA ofrecerá un máximo desempeño durante muchas horas, si se le da el mantenimiento adecuado. Un buen mantenimiento incluye la revisión periódica de todos los sujetadores para cerciorarse de que estén bien apretados, y la limpieza de toda la máquina. Póngase en contacto con un distribuidor MARUYAMA autorizado para recibir sugerencias sobre mantenimiento adicional.

# **ALMACENAMIENTO**

Para almacenar la sopladora durante un tiempo largo, primero realice todos los procedimientos del mantenimiento corriente y las reparaciones necesarias. Desconecte del carburador la línea de suministro de combustible, y oprima el bulbo cebador hasta que deje de salir combustible de la línea de retorno de combustible.

Encienda el motor y permita que marche hasta que se detenga. Tire del cordón de arranque unas pocas veces para remover todo exceso de combustible del motor. Retire la bujía e inserte una pequeña cantidad de aceite dentro del cilindro. Tire lentamente del cordón de arranque y lleve el pistón a una posición lo más cercana posible al orificio de la bujía. Instale nuevamente la bujía. Aplique una capa delgada de aceite a todas las superficies metálicas y almacene la sopladora en un lugar seco.

# INFORMACION SOBRE CONTROL DE EMISIONES

## **INFORMACION SOBRE COMBUSTIBLE**

ESTE MOTOR ESTA CERTIFICADO PARA OPERAR UNICAMENTE CON GASOLINA GRADO CORRIENTE. Se recomienda un mínimo de 87 octanos del índice antidetonante. Este índice antidetonante aparece fijado en las estaciones de servicio de los Estados Unidos.

## **INFORMACION SOBRE CONTROL DE EMISIONES**

Para proteger el Ambiente en el que vivimos todos, Kawasaki tiene incorporado un sistema de control de emisiones (EM), en cumplimiento de las regulaciones aplicables expedidas por la Junta de Recursos de Aire de California.

## **SISTEMA DE CONTROL DE EMISIONES DE ESCAPE Y EVAPORATIVAS**

El sistema reduce la cantidad de contaminantes que se descargan a la atmósfera desde el escape de este motor. Los sistemas el estanque de combustible, ignición y escape de este motor han sido diseñados y contruidos cuidadosamente para asegurar un motor eficiente con bajo nivel de contaminantes de escape y bajos niveles de emisión de evaporados. Si usted compró su (Soplador, Recortador, Recortador de Borde) en el estado de California, el motor incluye el sistema de convertidor catalítico, y el estanque de combustible incluye un sistema de bajas emisiones evaporativas.

## **MANTENIMIENTO Y GARANTIA**

Es necesario un mantenimiento adecuado para garantizar que su motor continuará teniendo bajos niveles de emisión. Este Manual del Propietario u Operador contiene tales recomendaciones de mantenimiento para su motor. Esos procedimientos, identificados en el Cuadro de Mantenimiento Periódico, son necesarios para asegurar el cumplimiento de los estándares aplicables.

La Garantía Limitada Maruyama del Sistema de Control de Emisiones, exige que usted devuelva su motor a un Distribuidor autorizado de motores Maruyama para que se remedie cualquier defecto bajo garantía. Por favor lea cuidadosamente la garantía y manténgala válida, y cumpla con las obligaciones de propietario que en ella se detallan.

## **LA MANIPULACION INDEBIDA DEL SISTEMA DE CONTROL DE EMISIONES ESTA PROHIBIDA**

La ley del Estado de California prohíbe los actos especificados a continuación, o que se cause cualquiera de los siguientes hechos: (1) el que cualquier persona, para propósitos diferentes a mantenimiento, reparación, o reemplazo, retire o deje inoperante cualquier dispositivo o elemento de diseño incorporado a cualquier motor nuevo para propósitos de control de emisiones, antes de su venta o entrega al comprador final o mientras tal motor está en uso, o (2) el uso del motor después de que cualquier persona haya retirado o dejado inoperante tal dispositivo o elemento de diseño.

Los actos relacionados a continuación están entre los actos que se presume constituyen manipulación indebida:

No manipule indebidamente las piezas originales relacionadas con la emisión:

- Carburador y partes internas
- Bujía
- Sistema de ignición por imán o electrónico
- Filtro de combustible
- Silenciador o cualquier parte interna del silenciador
- Elemento de filtro de aire
- Estanque de combustible

# RECOMENDACIONES SOBRE COMBUSTIBLE

## COMBUSTIBLE

Los motores Kawasaki de 2 tiempos, serie TK requieren mezcla de gasolina – aceite.  
Use únicamente gasolina limpia, fresca, sin plomo y de grado corriente.

### **Grado de Octanaje**

El grado de octanaje de una gasolina es la medida de su resistencia a la "detonación".  
Se recomienda usar un octanaje de por lo menos 87, según el índice antidetonante. Este índice antidetonante se encuentra fijado en las carteleras de las estaciones de servicio en los Estados Unidos.

### **NOTA:**

- Si se presenta "golpeteo o martilleo de válvula", use una marca diferente de gasolina o gasolina de más alto octanaje.

### **⚠ ADVERTENCIA: ⚠**

La gasolina es extremadamente inflamable y puede ser explosiva en ciertas condiciones. Gire el interruptor de arranque del motor a la posición de APAGADO (OFF). No fume. Asegúrese de que el área esté bien ventilada y libre de cualquier fuente de llama o chispas: esto incluye cualquier artefacto de gas con llama piloto.

## MEZCLA DE ACEITE PARA EL MOTOR DE 2 TIEMPOS

El aceite se debe mezclar con la gasolina para lubricar el pistón, el cilindro, el cigüeñal, los cojinetes y los cojinetes de las bielas.

Aceite de Motor Recomendado: aceite formulado para motor de 2 tiempos, enfriado por aire.

Proporción de mezcla de la gasolina y el aceite motor: 50:1 (50 partes de gasolina por 1 parte de Aceite para Motor de 2 tiempos).

### **NOTA:**

- No mezcle directamente la gasolina y el aceite en el tanque de combustible.
- La calidad lubricante de esta mezcla se deteriora rápidamente.
- No use gasolina que haya estado guardada por más de dos meses.
- Para garantizar un arranque adecuado en ambientes a bajas temperaturas, debe usar combustible fresco formulado para invierno.

**PRECAUCION:** El motor se despacha sin combustible.

# AJUSTE

## AJUSTE DE MARCHA EN VACIO

1. La marcha en vacío es el único ajuste posible.
2. No manipule indebidamente la graduación del carburador para aumentar la velocidad máxima del motor.
3. Si necesita ajustarlo, hágalo a su comerciante autorizado de servicios de MARUYAMA. El carburador es ajustado en la fábrica; por lo tanto, no puede hacerlo sin desarmar.

# MANTENIMIENTO

## CUADRO DE MANTENIMIENTO PERIODICO

### ⚠ ADVERTENCIA: ⚠

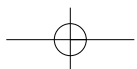
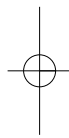
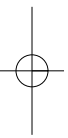
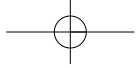
Siempre retire de la bujía la tapa cuando dé servicio al motor para evitar que el motor arranque accidentalmente.

MANTENIMIENTO	Intervalo				
	Diariamente	Primeras 20 horas	Cada 20 horas	Cada 50 horas	Cada 100 horas
Revise y reabastezca el combustible	●				
Revise si hay alguna fuga de combustible	●				
Revise los pernos, tuercas y tornillos para asegurarse de que no estén flojos o sueltos	●				
Limpie el filtro de combustible			●		
★ Limpie el elemento del filtro de aire			●		
Apriete los pernos y las tuercas		●		●	
Limpie la bujía y ajuste la separación de los electrodos				●	
★ Limpie el polvo y la mugre acumulados en las aletas del cilindro				●	
M Remueva los depósitos de carbón en la cabeza del pistón y dentro del cilindro				●	
M Remueva los depósitos de carbón del tubo de salida del silenciador				●	
M Limpie la malla del guarda chispas (si lo hay)				●	
M Revise la porción deslizante del cigüeñal, la biela, etc.					●
Tubo de combustible	Se recomienda reemplazar cada 3 años.				

**Nota:** Los intervalos de servicio indicados son para usarse como guía. Se puede dar servicio con más frecuencia según la necesidad indicada por las condiciones de operación.

**M:** El servicio lo debe realizar un distribuidor autorizado de motores Maruyama.

**★:** Servicio más frecuente bajo condiciones polvorrientas.





**Maruyama U.S., Inc.**

4770 Mercantile Drive, suite100,

Fort Worth, TX 76137 U.S.A.

Phone 940-383-7400

Fax 940-383-7466

[www.maruyama-us.com](http://www.maruyama-us.com)

P/N 131322-04 14.06 TAP/F