

MARUYAMA

ILLUSTRATED PARTS LIST

BL5100-SP

BACKPACK BLOWER

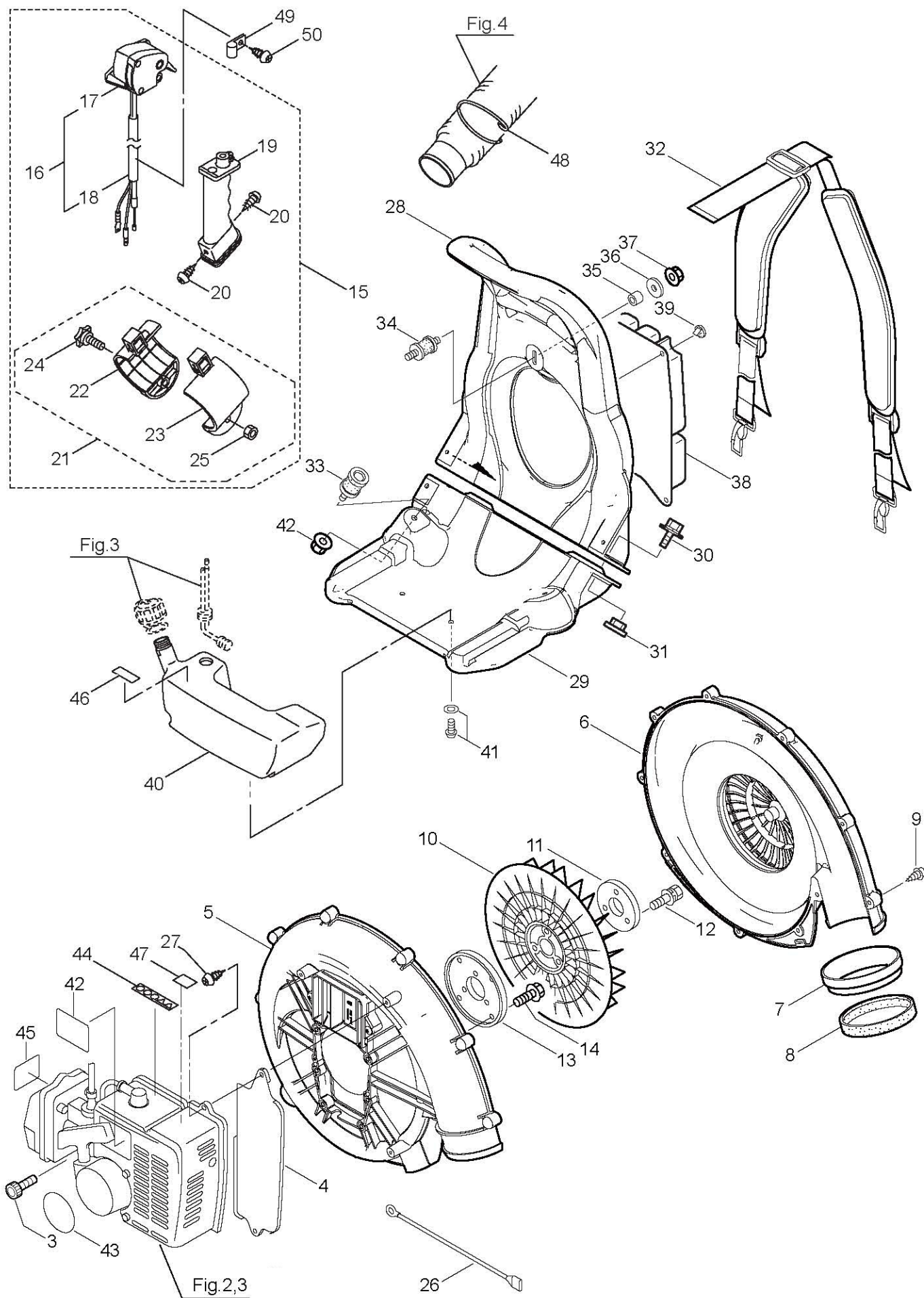


BL5100
BACKPACK BLOWER
PART #522824 07/2009



Maruyama. *E x t r a o r d i n a r y .*

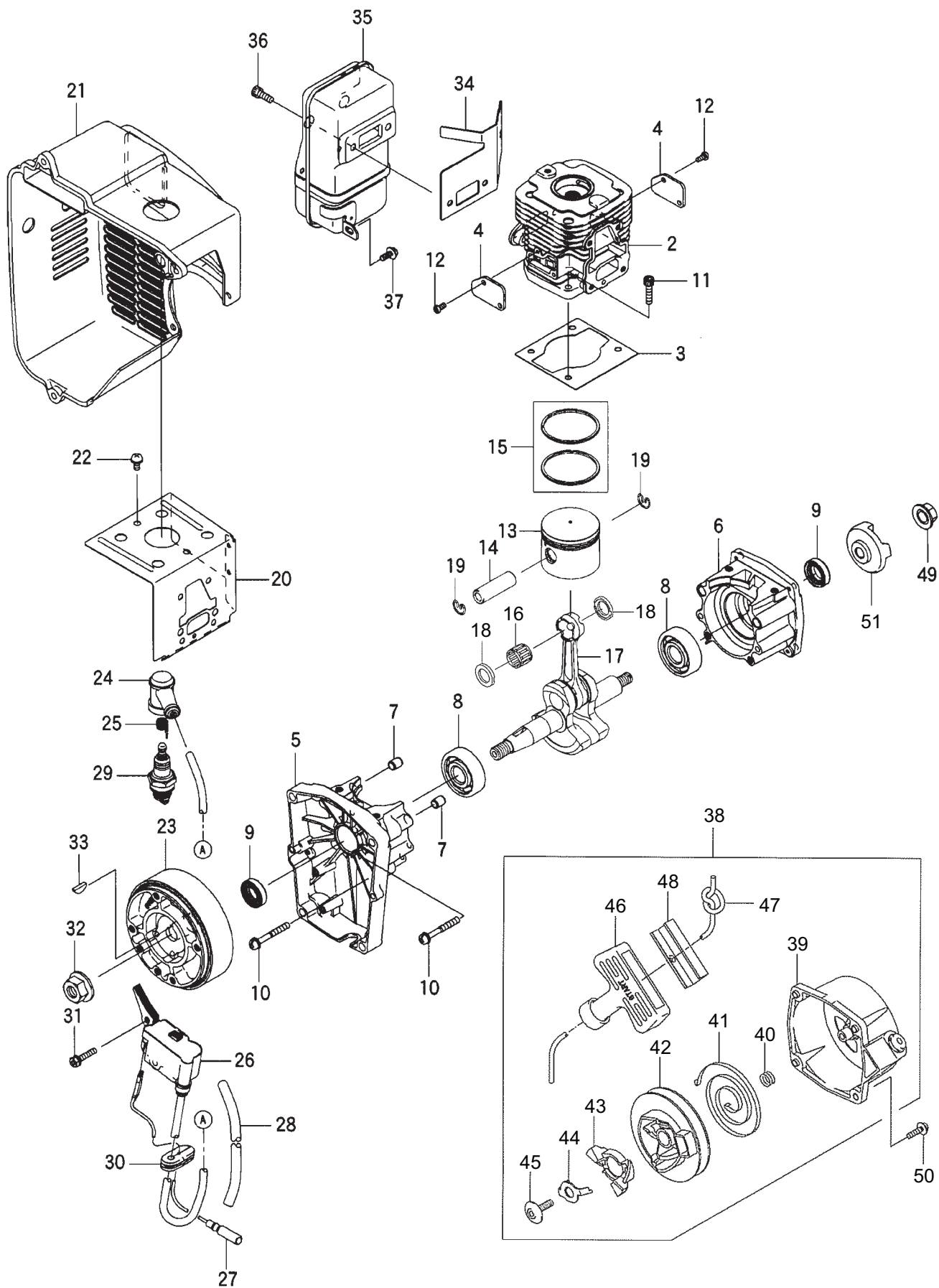
1. BL5100-SP
FRAME & BLOWER



| Ref. No. | Part No. | Part Name | Q'ty | Remarks |
|----------|----------|-------------------------|------|---------------|
| 1-3 | 125588 | Bolt | 4 | M6x30 |
| 1-4 | 125624 | Gasket | 1 | |
| 1-5 | 125625 | Fan Case (Engine Side) | 1 | |
| 1-6 | 125410 | Fan Case (Frame Side) | 1 | |
| 1-7 | 119160 | Collar | 1 | |
| 1-8 | 119161 | Rubber Band | 1 | |
| 1-9 | 089538 | Tapping Screw | 10 | M5x25 |
| 1-10 | 118724 | Fan | 1 | |
| 1-11 | 118248 | Plate | 1 | |
| 1-12 | 189369 | Bolt | 3 | M6x30 |
| 1-13 | 126344 | Adapter | 1 | |
| 1-14 | 125629 | Bolt | 4 | M5x15 |
| 1-15 | 126302 | Throttle Ass'y | 1 | Incl.16-25 |
| 1-16 | 125782 | Throttle Lever Ass'y | 1 | Incl.17,18 |
| 1-17 | 125756 | Throttle | 1 | |
| 1-18 | 125757 | Throttle Wire Ass'y | 1 | |
| 1-19 | 118811 | Grip | 1 | |
| 1-20 | 082759 | Tapping Screw | 2 | M5x20 |
| 1-21 | 125184 | Band Ass'y | 1 | Incl.22-25 |
| 1-22 | 123132 | Band | 1 | |
| 1-23 | 123134 | Band | 1 | |
| 1-24 | 127298 | Nut | 1 | M6 |
| 1-25 | 127299 | Knob Bolt | 1 | M6x30 |
| 1-26 | 108634 | Ground Wire | 1 | AVS0.5Bx120 |
| 1-27 | 127295 | Screw | 3 | M5x16(P-type) |
| 1-28 | 125427 | Backpack Frame A | 1 | |
| 1-29 | 125429 | Backpack Frame B | 1 | |
| 1-30 | 127301 | Bolt | 4 | M6x20(SM) |
| 1-31 | 127228 | Nut | 4 | M6 |
| 1-32 | 125432 | Shoulder Strap Assembly | 1 | |
| 1-33 | 120615 | Buffer | 2 | |
| 1-34 | 101877 | Buffer | 1 | |
| 1-35 | 120616 | Collar | 1 | |
| 1-36 | 120617 | Packing | 1 | |
| 1-37 | 127228 | Nut | 3 | M6 |
| 1-38 | 119177 | Cushion Pad | 1 | |
| 1-39 | 100749 | Fastener | 4 | #7 |
| 1-40 | 127673 | Fuel Tank | 1 | |
| 1-41 | 125561 | Screw | 2 | M5x14 |
| 1-42 | 125630 | Label | 1 | BL5100 |
| 1-43 | 123954 | Label | 1 | |
| 1-44 | 266959 | Label | 1 | Caution |
| 1-45 | 125749 | Label | 1 | |

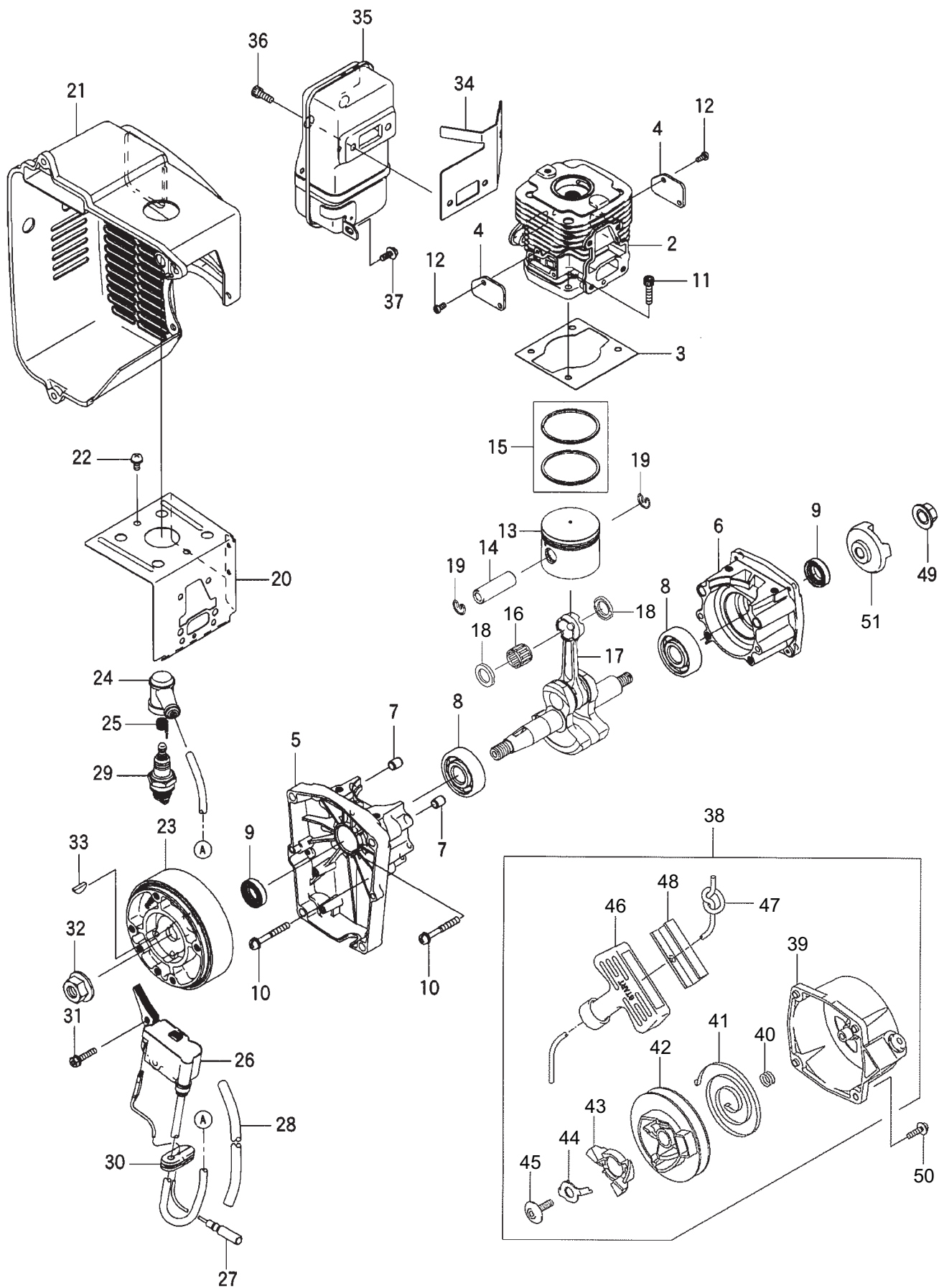
| Ref. No. | Part No. | Part Name | Q'ty | Remarks |
|----------|----------|-----------|------|---------|
| 1-46 | 121132 | Label | 1 | Caution |
| 1-47 | 285188 | Label | 1 | |
| 1-48 | 128924 | Clamp | 1 | |
| 1-49 | 126049 | Clamp | 1 | |
| 1-50 | 127300 | Screw | 1 | M5x18 |

2.BL5100-SP
ENGINE (Cylinder, Crankcase)



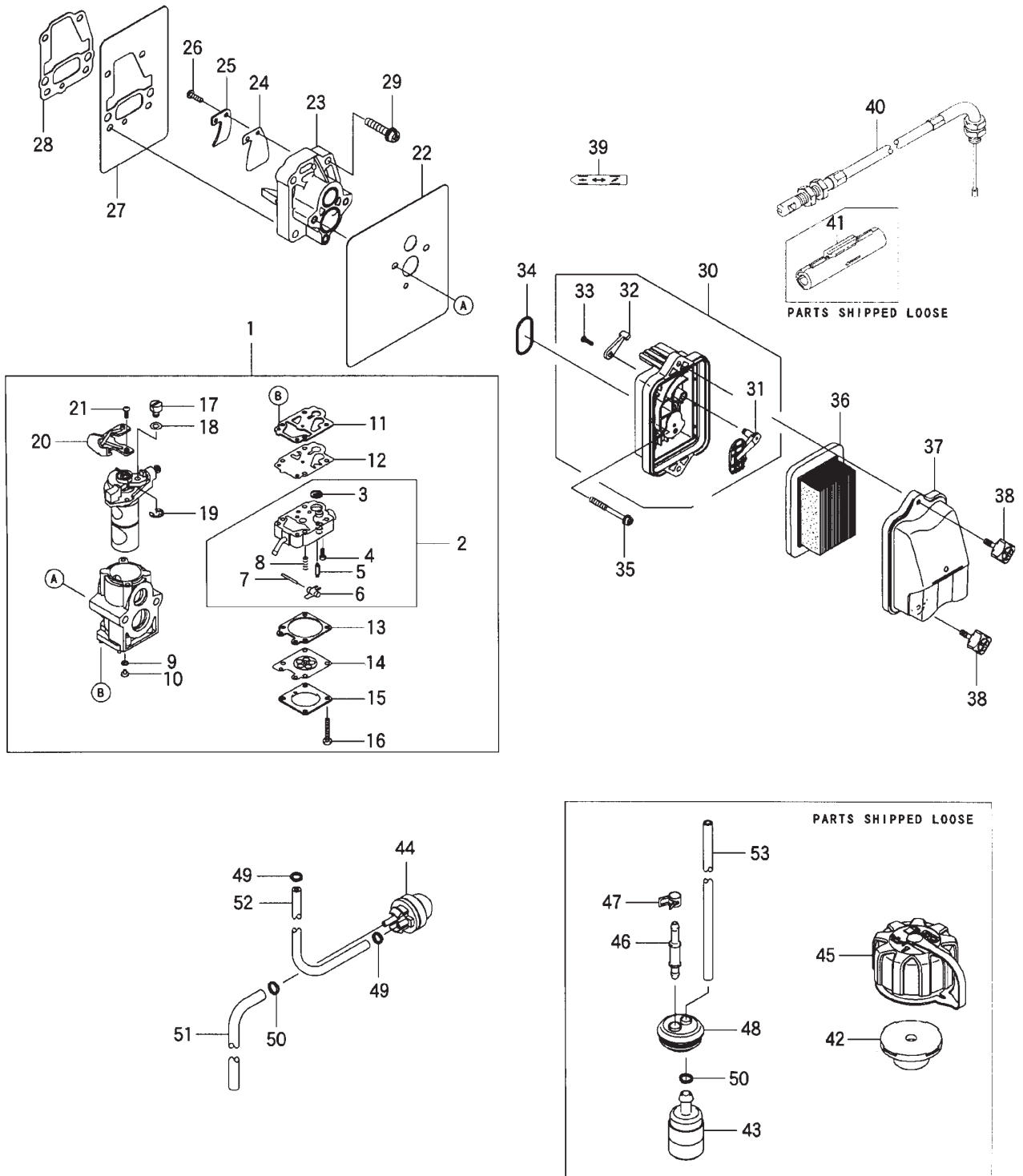
| Ref. No. | Part No. | Part Name | Q'ty | Remarks |
|----------|----------|---------------------|------|--------------------------|
| 2-2 | 649683 | Cylinder | 1 | 11005-2156 |
| 2-3 | 649684 | Gasket | 1 | 11061-2148 |
| 2-4 | 649685 | Plate | 2 | 13271-2250 |
| 2-5 | 649686 | Crankcase | 1 | 14080-2057 |
| 2-6 | 649687 | Crankcase | 1 | 14080-2058 |
| 2-7 | 573908 | Pin | 2 | 92043-1302 |
| 2-8 | 649688 | Ball Bearing | 2 | 92045-2269 |
| 2-9 | 649689 | Oil Seal | 2 | 92049-2259 |
| 2-10 | 944778 | Screw | 4 | M5x40 234B0540 |
| 2-11 | 649320 | Bolt | 4 | M5x20 120W0520 |
| 2-12 | 943572 | Screw | 4 | M4x8 214B0408 |
| 2-13 | 412443 | Piston | 1 | 13001-2172 |
| 2-14 | 649691 | Piston Pin | 1 | 13002-2094 |
| 2-15 | 649692 | Piston Ring Set | 1 | 13008-6067 |
| 2-16 | 649325 | Bearing | 1 | 13033-2063 |
| 2-17 | 649694 | Crankshaft Ass'y | 1 | 49119-2224 |
| 2-18 | 412444 | Spacer | 2 | 92026-2353 |
| 2-19 | 943307 | Snap Ring | 2 | 92033-2058 |
| 2-20 | 649695 | Shroud | 1 | 49089-2612 |
| 2-21 | 649696 | Shroud | 1 | 49089-2616 |
| 2-22 | 996258 | Screw | 1 | M5x10 241B0510 |
| 2-23 | 649697 | Flywheel | 1 | 21050-2310 |
| 2-24 | 591532 | Spark Plug Cap | 1 | 21130-2056 |
| 2-25 | 591533 | Terminal | 1 | 21169-2051 |
| 2-26 | 649698 | Ignition Coil Ass'y | 1 | 21171-2246 |
| 2-27 | 649332 | Lead Wire | 1 | 26011-2379 |
| 2-28 | 998411 | Tube | 1 | 6x7.4x300L 92059-2233 |
| 2-29 | 649333 | Spark Plug | 1 | BPMR7A 92070-2113 |
| 2-30 | 649334 | Grommet | 1 | 92071-2164 |
| 2-31 | 649335 | Bolt | 2 | 4x20 92153-2079 |
| 2-32 | 649336 | Nut | 1 | M10 92210-1325 |
| 2-33 | 071695 | Woodruff Key | 1 | 510A3200 |
| 2-34 | 649706 | Gasket | 1 | 11061-2162 |
| 2-35 | 649709 | Muffler Ass'y | 1 | 49069-2417 |
| 2-36 | 649710 | Bolt | 2 | M6x16 120W0616 |
| 2-37 | 943466 | Screw | 1 | M5x14 242B0514 |
| 2-38 | 400921 | Recoil Starter | 1 | Incl.39-48 49088-2557 |
| 2-39 | 649372 | Case | 1 | 32099-2400 |
| 2-40 | 649378 | Spring | 1 | 92145-2142 |
| 2-41 | 400922 | Spring | 1 | 92145-2159 |
| 2-42 | 649376 | Reel | 1 | 59101-2117 |
| 2-43 | 649370 | Pawl | 1 | 13165-2101 |
| 2-44 | 649371 | Retainer | 1 | 14020-2113 |
| 2-45 | 649380 | Screw | 1 | 92172-2083 |

2.BL5100-SP
ENGINE (Cylinder, Crankcase)



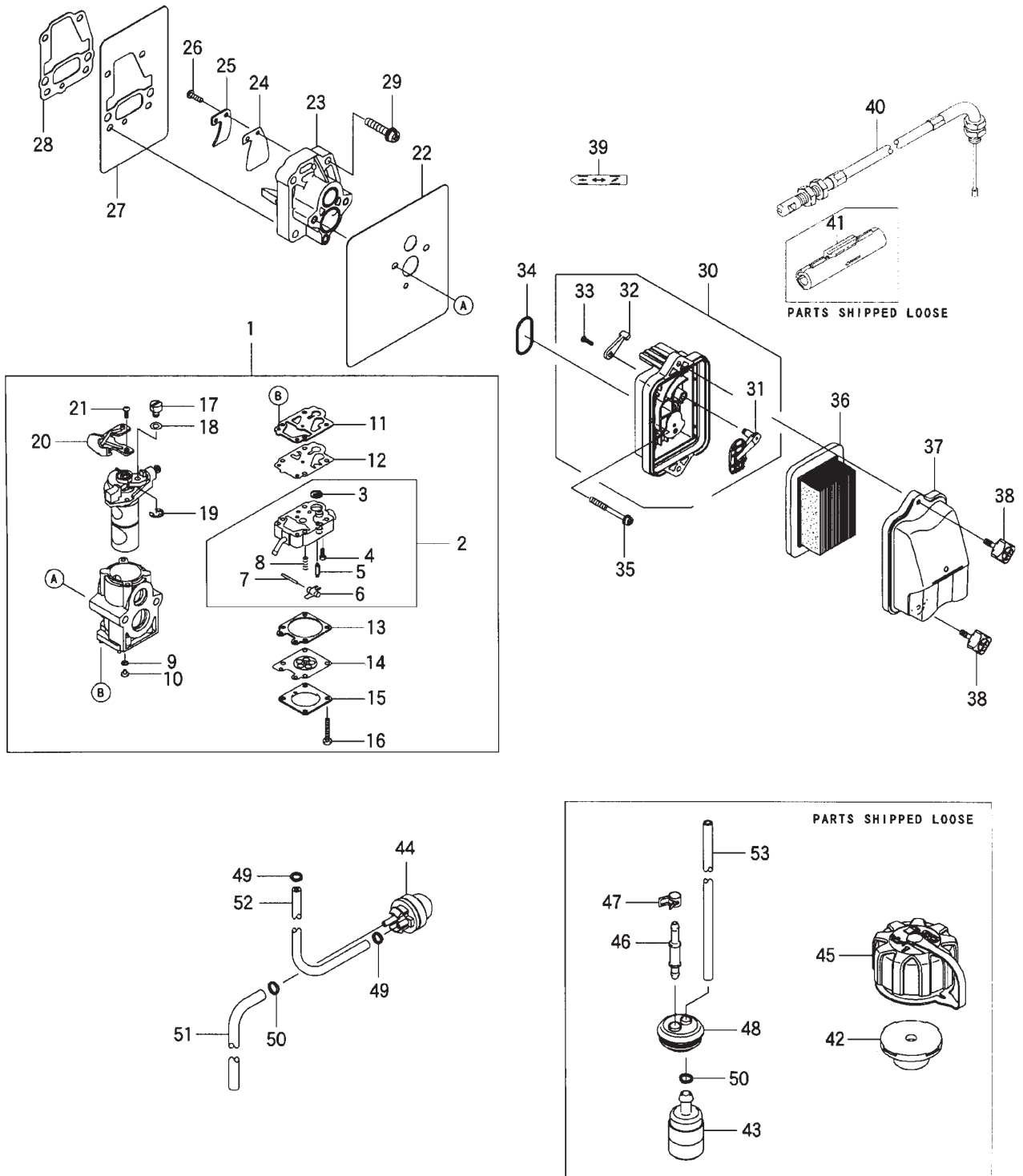
| Ref. No. | Part No. | Part Name | Q'ty | Remarks |
|----------|----------|-----------------|------|------------------------|
| 2-46 | 400920 | Grip | 1 | 46075-2157 |
| 2-47 | 649377 | Rope | 1 | 3.5x1000 59106-2174 |
| 2-48 | 400919 | Plate | 1 | 13183-2007 |
| 2-49 | 649381 | Nut | 1 | 92210-2094 |
| 2-50 | 624845 | Screw | 4 | M4x16 92009-2386 |
| 2-51 | 649374 | Starting Pulley | 1 | 49080-2198 |

3. BL5100-SP ENGINE (Carburetor, Air Filter)



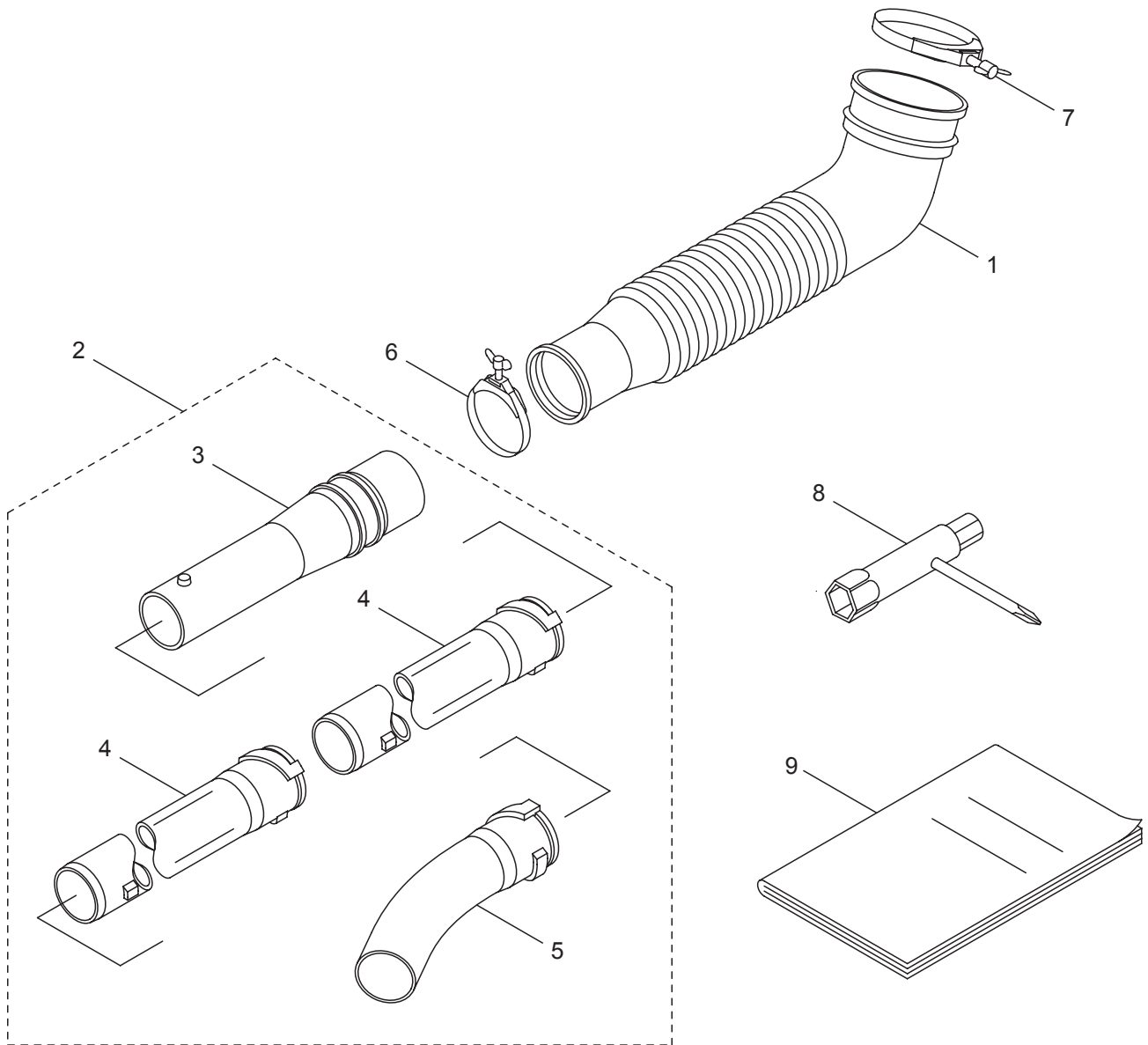
| Ref. No. | Part No. | Part Name | Q'ty | Remarks | |
|----------|----------|------------------|------|------------|------------|
| 3-1 | 649701 | Carburetor Ass'y | 1 | Incl.2-21 | 15003-2975 |
| 3-2 | 649346 | Body | 1 | Incl.3-8 | 16160-2138 |
| 3-3 | 624430 | Filter | 1 | | 14043-2051 |
| 3-4 | 624432 | Screw | 1 | | 92009-2336 |
| 3-5 | 624431 | Float Valve | 1 | | 16030-2078 |
| 3-6 | 624429 | Lever | 1 | | 16055-2051 |
| 3-7 | 624433 | Pin | 1 | | 92043-2094 |
| 3-8 | 624434 | Spring | 1 | | 92144-2308 |
| 3-9 | 577182 | O-Ring | 1 | | 92055-2147 |
| 3-10 | 649703 | Main Jet | 1 | #55 | 92063-2462 |
| 3-11 | 634350 | Gasket | 1 | | 11061-2054 |
| 3-12 | 577185 | Diaphragm | 1 | | 43028-2067 |
| 3-13 | 649339 | Gasket | 1 | | 11060-2456 |
| 3-14 | 634357 | Diaphragm | 1 | | 43028-2090 |
| 3-15 | 649343 | Cover | 1 | | 14025-2157 |
| 3-16 | 649348 | Screw | 4 | | 92009-2438 |
| 3-17 | 598415 | Arm | 1 | | 21083-2073 |
| 3-18 | 624532 | Washer | 1 | | 92200-2074 |
| 3-19 | 577175 | Snap Ring | 1 | | 92033-2078 |
| 3-20 | 649338 | Bracket | 1 | | 11053-2066 |
| 3-21 | 577179 | Screw | 2 | | 92009-2277 |
| 3-22 | 649341 | Gasket | 1 | | 11061-2160 |
| 3-23 | 414870 | Insulator | 1 | | 16073-2230 |
| 3-24 | 649342 | Reed Valve | 1 | | 12022-2059 |
| 3-25 | 649347 | Stopper | 1 | | 32085-2105 |
| 3-26 | 649350 | Screw | 1 | M3x12 | 92172-2091 |
| 3-27 | 649700 | Gasket | 1 | | 11061-2161 |
| 3-28 | 649699 | Gasket | 1 | | 11061-2150 |
| 3-29 | 577361 | Screw | 4 | M5x25 | 92009-2235 |
| 3-30 | 649705 | Case Ass'y | 1 | Incl.31-33 | 11038-2091 |
| 3-31 | 649708 | Valve | 1 | | 16126-2241 |
| 3-32 | 649355 | Lever | 1 | | 13168-2493 |
| 3-33 | 628550 | Screw | 1 | | 92009-2359 |
| 3-34 | 649359 | O-Ring | 1 | | 92055-2205 |
| 3-35 | 944305 | Screw | 2 | M5x50 | 234B0550 |
| 3-36 | 649704 | Element Ass'y | 1 | | 11029-2022 |
| 3-37 | 649707 | Cap | 1 | | 11065-2119 |
| 3-38 | 649360 | Bolt | 2 | M5x18 | 92153-2107 |
| 3-39 | 598438 | Label | 1 | | 56031-2468 |
| 3-40 | 649337 | Throttle Cable | 1 | | 54012-2629 |
| 3-41 | 212250 | Joint Case | 1 | | 32099-2326 |
| 3-42 | 649362 | Breather | 1 | | 14069-2088 |
| 3-43 | 625872 | Fuel Filter | 1 | | 49019-2085 |
| 3-44 | 649363 | Priming Pump | 1 | | 49043-2073 |
| 3-45 | 649364 | Tank Cap Ass'y | 1 | | 51048-2083 |

3. BL5100-SP ENGINE (Carburetor, Air Filter)

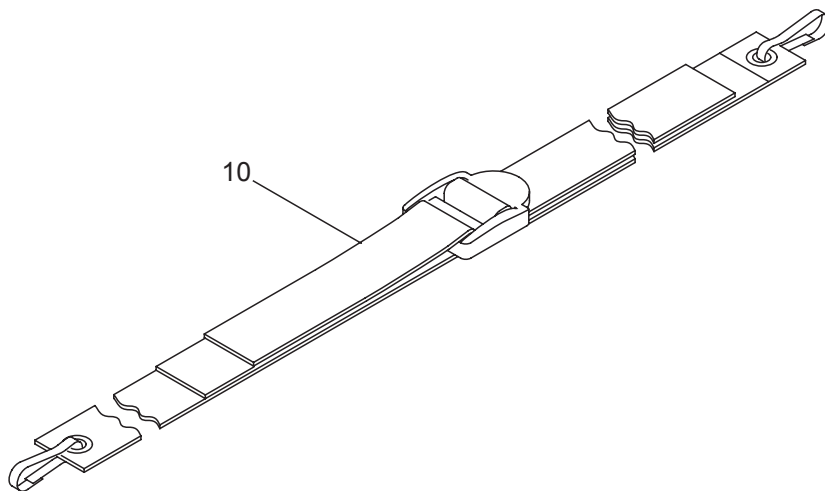


| Ref. No. | Part No. | Part Name | Q'ty | Remarks |
|----------|----------|-------------------|------|---------------------|
| 3-46 | 632199 | Joint | 1 | 59071-2132 |
| 3-47 | 944177 | Clamp | 1 | 92037-2139 |
| 3-48 | 597949 | Fuel Tank Grommet | 1 | 92071-2142 |
| 3-49 | 649365 | Clamp | 2 | 92170-2110 |
| 3-50 | 649366 | Clamp | 2 | 92171-2073 |
| 3-51 | 649367 | Tube | 1 | 3x6x145 92190-2173 |
| 3-52 | 649368 | Tube | 1 | 2.3x5x93 92192-2086 |
| 3-53 | 649369 | Tube | 1 | 3x5x305 92192-2088 |

4. BL5100-SP
ACCESSORIES, OPTIONAL PARTS



OPTION



| Ref. No. | Part No. | Part Name | Q'ty | Remarks |
|----------|----------|--------------------|------|----------|
| 4-1 | 119186 | Flexible Pipe | 1 | Black |
| 4-2 | 121238 | Pipe Ass'y | 1 | Incl.3-5 |
| 4-3 | 121242 | Swivel Pipe | 1 | |
| 4-4 | 121243 | Straight Pipe | 2 | 370L |
| 4-5 | 121244 | Bent Pipe | 1 | |
| 4-6 | 128305 | Wire Clamp | 1 | #78 |
| 4-7 | 128189 | Clamp Ass'y | 1 | #105 |
| 4-8 | 127099 | Box Spanner | 1 | |
| 4-9 | 128921 | Instruction Manual | 1 | BL5100 |
| 4-10 | 125439 | Hip Belt Ass'y | 1 | |



Maruyama U.S., Inc.
3570 Shelby Lane
Denton, TX 76207
940-383-7400 voice
940-383-7466 fax

www.maruyama-us.com