

# PARTS LIST

BL3200/Y09

## CONTENTS

1. MAIN BODY .....	1 ~ 2
2. ENGINE (Cylinder, Crankcase) .....	3 ~ 6
3. ENGINE (Carburetor, Fuel Tank) .....	7 ~ 10
4. ACCESSORIES .....	11 ~ 12

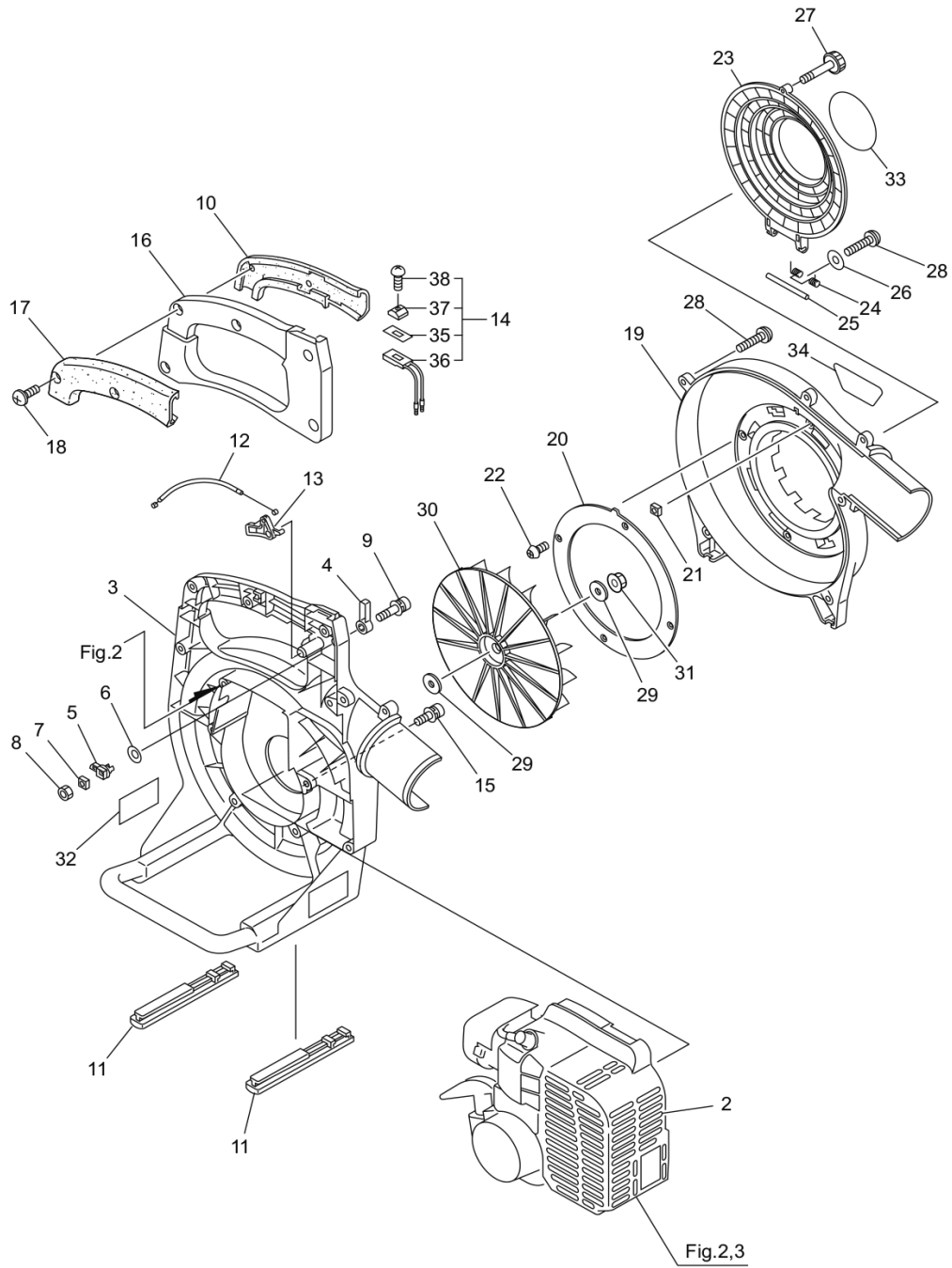
2018. 02.



**MARUYAMA**

P/N 522788-01

1. BL3200/Y09  
MAIN BODY

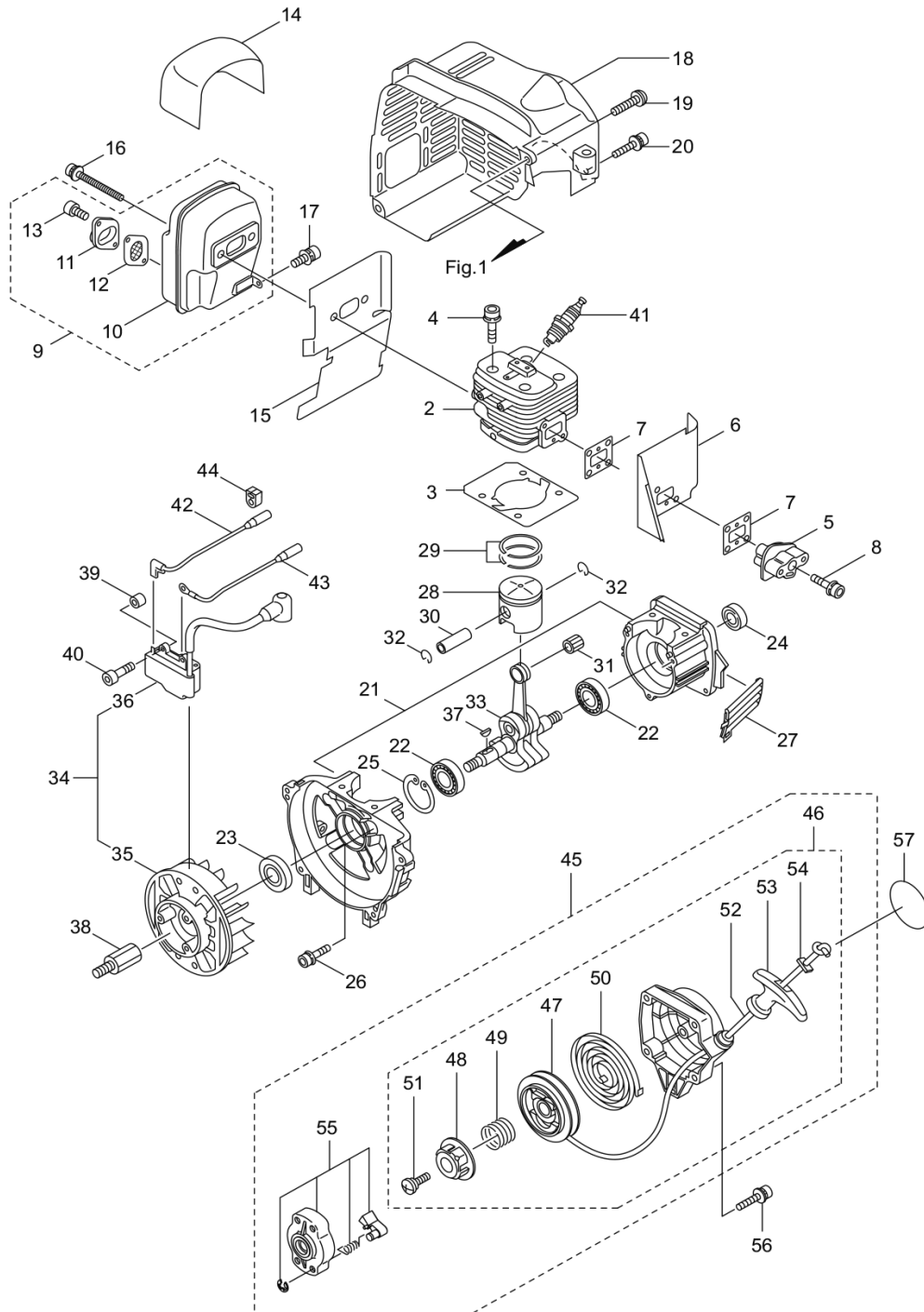


522134-01

Status	Position	Parts Number	Parts Name	Unit Quantity	Set Unit Quantity	Specification	Remarks	Maker code
--------	----------	--------------	------------	---------------	-------------------	---------------	---------	------------

Status	Position	Parts Number	Parts Name	Unit Quantity	Set Unit Quantity	Specification	Remarks	Maker code
	1	362259	BL3200_Y09	1			Y09	
	2	858326		1			CE300/17	
	3	281535	MAIN HOUSING	1		アカ		
	4	281586	STOPPER A	1		クハ		
	5	281867	STOPPER B	1		クハ		
	6	282862	WASHER	1		サラハネヨビ 11H		
	7	269423	NUT	1	5	シカナツトM5		
	8	081028	NUT	1	5	M5X0.8 2シユ	M5	
	9	261246	CAP SCREW	1	5	M5X25	M5x25	
	10	281880	GRIP	1				
	11	281865	STAND	2				
	12	281862	THROTTLE CABLE	1		OUT225/IN76		
	13	281585	THROTTLE TRIGGER	1		クハ		
	14	282170	SWITCH	1			Incl.35-38	
	15	261250	CAP SCREW	4	5	M5X20	M5x20	
	16	281538	HANDLE	1		アカ		
	17	281879	GRIP	1				
	18	281989	SCREW	5		5X20タツビ ンハ イント	5x20	
	19	281536	FAN COVER	1		アカ		
	20	281869	PLATE	1		アカ		
	21	280008	NUT	1	5	シカナツトM4	M4	
	22	282060	SCREW	4		タツビ ン4X10	4x10	
	23	281563	COVER	1		クハ		
	24	281870	SPRING	1				
	25	281878	ROD	1				
	26	263743	WASHER 5.7X15.8XT2	1	10	5.7X15.8XT2ヒラ	5.7x15.8xt2	
	27	282149	KNOB	1				
	28	281989	SCREW	7		5X20タツビ ンハ イント	5x20	
	29	281873	WASHER	2		8.5X26XT2.9	8.5x26xt2.9	
	30	281874	FAN	1		クハ		
	31	283041	NUT M8	1	5	M8ワラジ 13	M8	
	32	282549	LABEL	1		テシハル(ANSI)		
	33	284313	LABEL	1		BL3200 カハ -	BL3200	
	34	282558	LABEL	1		MUSコ		
	35	282028	LABEL	1				
	36	281863	SWITCH	1				
	37	282171	KNOB	1				
	38	282172	SCREW	1	5			

2. BL3200/Y09  
ENGINE (Cylinder, Crankcase)

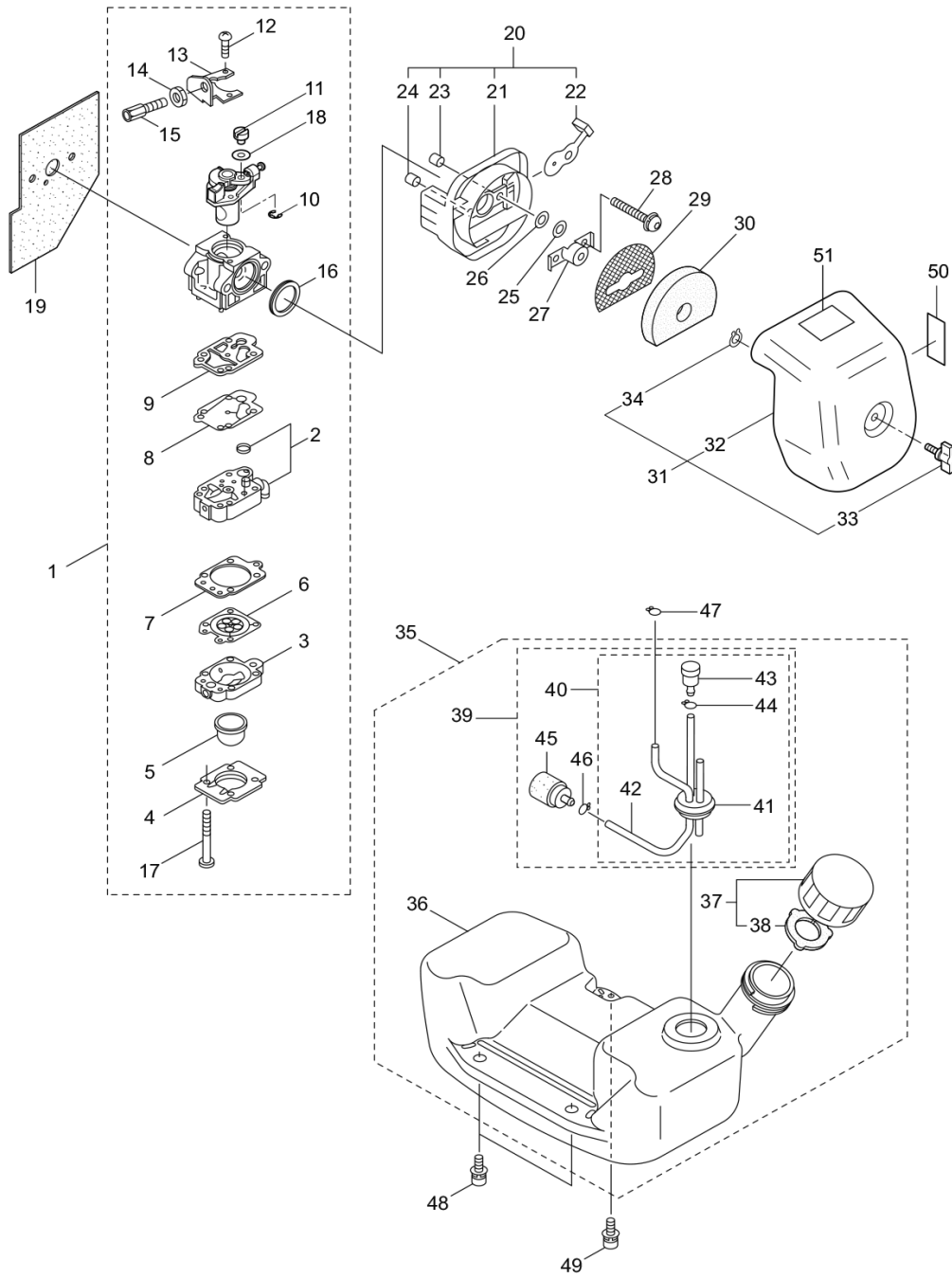


522542-02

Status	Position	Parts Number	Parts Name	Unit Quantity	Set Unit Quantity	Specification	Remarks	Maker code
	1	858326		1			CE300/17	
	2	282400	CYLINDER	1		CE300		
	3	282537	GASKET	1				
	4	261250	CAP SCREW	4	5	M5X20	M5x20	
	5	282579	INSULATOR	1		BL300		
	6	281590	PLATE	1		アルスター		
	7	261171	GASKET	2	5			
	8	265924	CAP SCREW	2	5	M5X25WSW+オ	M5x25	
	9	282585	MUFFLER	1		シヨクハ イナシ	Incl.10-13	
	10	282586	MUFFLWER COMP	1		シヨクハ イナシ		
	11	281860	TAIL	1				
	12	267056	SPARK ARRESTER	1				
	13	265107	CAP SCREW	2	5	M4X10	M4x10	
	14	268461	HOLDER	1				
	15	281589	MUFFLER GASKET	1				
	16	266713	CAP SCREW	2		M5X607ランジ	M5x60	
	17	261607	CAP SCREW	1	5	M5X16WSW	M5x16	
	18	281537	ENGINE COVER	1		アカ		
	19	281989	SCREW	2		5X20タビソハ イ ト	5x20	
	20	265724	BOLT	2	5	M4X25(W.SW)	M4x25	
	21	268241	CRANK CASE	1				
	22	261491	BEARING 6001C3	2		6001 C3リベ ット	#6001C3	
	23	261492	OIL SEAL	1		ISCD12287グ リ ナシ	ISCD12287	
	24	261386	OIL SEAL	1		ISCD12227グ リ ナシ	ISCD12227	
	25	055185	SNAP RING #28	1	5	アチヨ28	#28	
	26	261612	CAP SCREW	3		M5X30	M5x30	
	27	281442	AIR INTAKE GRILLE (BLACK)	1		ケロ		
	28	268782	PISTON	1		CE300		
	29	265067	PISTON RING	2			(2)Required	
	30	265068	PISTON PIN	1		7X10X30.5L		
	31	265225	NEEDLE BEARING KTV101413EGX02B	1				
	32	261393	CLIP	2				
	33	265141	CRANK SHAFT COMPLETE	1				
	34	282217	ROTOR ASSY	1		WB MBJ-19	Incl.35,36	
△	35	269808	ROTOR/FAN	1		WB FW-29		
	36	282010	IGNITION COIL ASSY	1		WB MBU-15		
	37	261076	WOODRUFF KEY 3X10	1	5	Aシ 3X10	3x10	
	38	281872	SHAFT	1				
	39	280381	SPACER	2	5			
	40	261256	BOLT	2	5	M4X25	M4x25	
	41	261200	SPARK PLUG	1		NGK BPM6Y	NGK BPM6Y	
	42	281864	LEAD	1		205ハジHCBH		
	43	282087	LEAD	1		175M4 CBH		
	44	281172	GROMMET	1		ケロ(N1.5)		
	45	283039	RECOIL STARTER ASSY	1		A10008172100	Incl.46-55	
	46	283502	STARTER ASSY	1		BL300	Incl.47-54	
	47	283504	REEL	1		A54108170001		
	48	283505	CAM PLATE	1		A54308130201		
	49	283506	DUMPER SPRING	1		A52408170300		
	50	283507	SPIRAL SPRING	1		A60002600100		
	51	267213	SCREW	1				
	52	283509	STARTER ROPE	1		A57100930070		
	53	283510	STARTER KNOB	1		A57207300000		
	54	283511	ROPE STOPPER	1		A57302611810		
	55	280934	STARTER PULLEY ASSY	1				
	56	265724	BOLT	2	5	M4X25(W.SW)	M4x25	

Status	Position	Parts Number	Parts Name	Unit Quantity	Set Unit Quantity	Specification	Remarks	Maker code
	57	282547	LABEL	1		リコイル (CER300BL)		

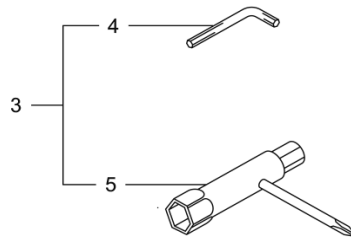
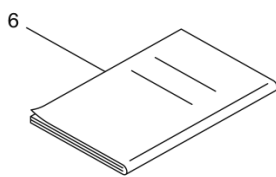
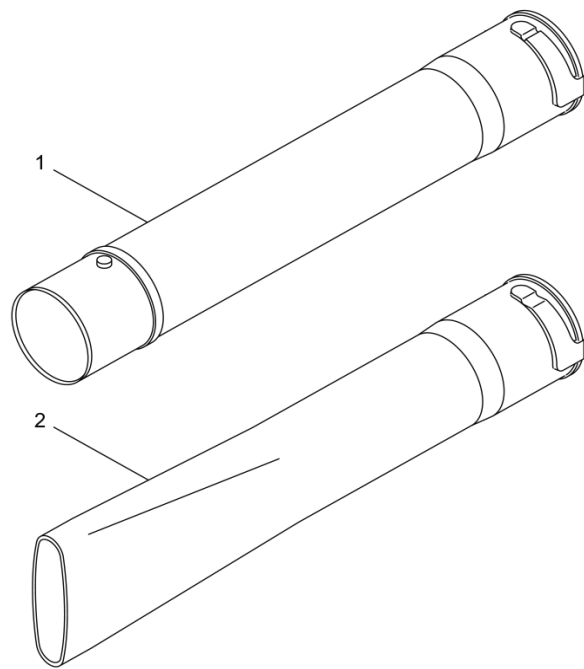
3. BL3200/Y09  
ENGINE (Carburetor, Fuel Tank)



Status	Position	Parts Number	Parts Name	Unit Quantity	Set Unit Quantity	Specification	Remarks	Maker code
	1	282528	CARBURETOR	1		WYK-242A	Incl.2-18	
	2	264155	CARBURETOR BODY	1		WB5-2582		
	3	262991	PURGE BODY	1		WB5-2557		
	4	262992	COVER	1		WB21-3147		
	5	261874	PRIMER	1		WB188-12		
	6	283905	DIAPHRAGM METERRING	1		WB95-614		
	7	262993	GASKET	1		WB92-359		
	8	262994	DIAPHRAGM	1		WB95-99		
	9	282576	GASKET	1		WB92-415		
	10	261876	RING	1		WB16-71		
	11	261658	SWIVEL	1		WB52-34		
	12	261875	SCREW	2		WB96-323		
	13	264677	BRACKET	1		WB167-143		
	14	261878	NUT	1	5	M6 3ｼﾞ		
	15	261877	SCREW	1		WB96-412		
	16	261657	PACKING	1		WB16-171		
	17	262996	SCREW	4	5	WB96-425		
	18	264678	WASHER	1	5	WB136-221		
	19	282578	GASKET	1				
	20	268055	AIR FILTER HOUSING ASSY	1			Incl.21-24	
	21	268056	AIR FILTER CASE	1		ﾌﾞﾛｯｸﾀｲﾌﾟ		
	22	268057	MACHINED DISC	1				
	23	268412	SLEEVE	1		5.2X7.1X6.4	5.5x7.1x6.6L	
	24	268157	SLEEVE	1		5.5X7.1X6	5.5x7.1x6L	
	25	263345	PACKING	1	5	7.2X11XT1.3	7.2x11xt1.3	
	26	263942	WASHER	1	5	7.2X12XT0.15	7.2x12xt0.15	
	27	263815	STAY	1				
	28	264016	CAP SCREW	2	5	M5X60	M5x60	
	29	265026	SCREEN	1				
	30	281861	CLEANER ELEMENT	1				
	31	268058	AIR FILTER COVER ASSY	1			Incl.32-34	
	32	268059	AIR FILTER COVER	1				
	33	281438	KNOB	1				
	34	261734	SNAP RING	1	5	ｺﾞﾓ 5	#5	
	35	285311		1		A45B95C160D52	Incl.36-46	
	36	283891	FUEL TANK	1		ﾌﾞﾛｯｸﾀｲﾌﾟ		
	37	281565	FUEL TANK CAP ASSY	1			Incl.38	
	38	269377	GASKET	1		NIPOL 1041		
	39	279549	FUEL PIPE ASSY	1			Incl.40-46	
	40	282539	PIPE ASSY	1			Incl.41-44	
	41	268065	GROMMET	1		3ﾌﾟﾗ		
	42	261690	FUEL PIPE	1		3X5X160L(ｸﾞﾙ)	160L	
	43	261590	BREATHER SUB ASSY	1				
	44	261117	CLIP	1				
	45	286749	FILTER ASSY	1		WB125-527		
	46	261117	CLIP	1				
	47	261117	CLIP	1				
	48	268940	SCREW	2		M5X18WSW-12	M5x18	
	49	281715	SCREW	1		M5X20WSW-12+ﾓ	M5x20	
	50	261352	MARK--LABEL	1		ﾌﾞﾛｯｸ	Choke	
	51	285188	LABEL	1		CAｽﾊﾟｰｸﾌﾞﾛｯｸﾀｲﾌﾟ		



4. BL3200/Y09  
ACCESSORIES



522134-04

Status	Position	Parts Number	Parts Name	Unit Quantity	Set Unit Quantity	Specification	Remarks	Maker code
--------	----------	--------------	------------	---------------	-------------------	---------------	---------	------------

Status	Position	Parts Number	Parts Name	Unit Quantity	Set Unit Quantity	Specification	Remarks	Maker code
×	1	281875	PIPE	1		パイプ(MARUYAMA)		
×	2	281876	PIPE	1		パイプ		
	3	282738	TOOL SETS	1		工具セット	Incl.4,5	
	4	219431	SPANNER	1		スパANNER 3	3mm	
	5	210418	BOX SPANNER	1		13X19X(+) <sup>ト</sup> ボックス	13x19x(+)	
	6	282557		1		BL30MUS		