

MARUYAMA

ILLUSTRATED PARTS LIST

BCF5020H-RS

BRUSHCUTTER



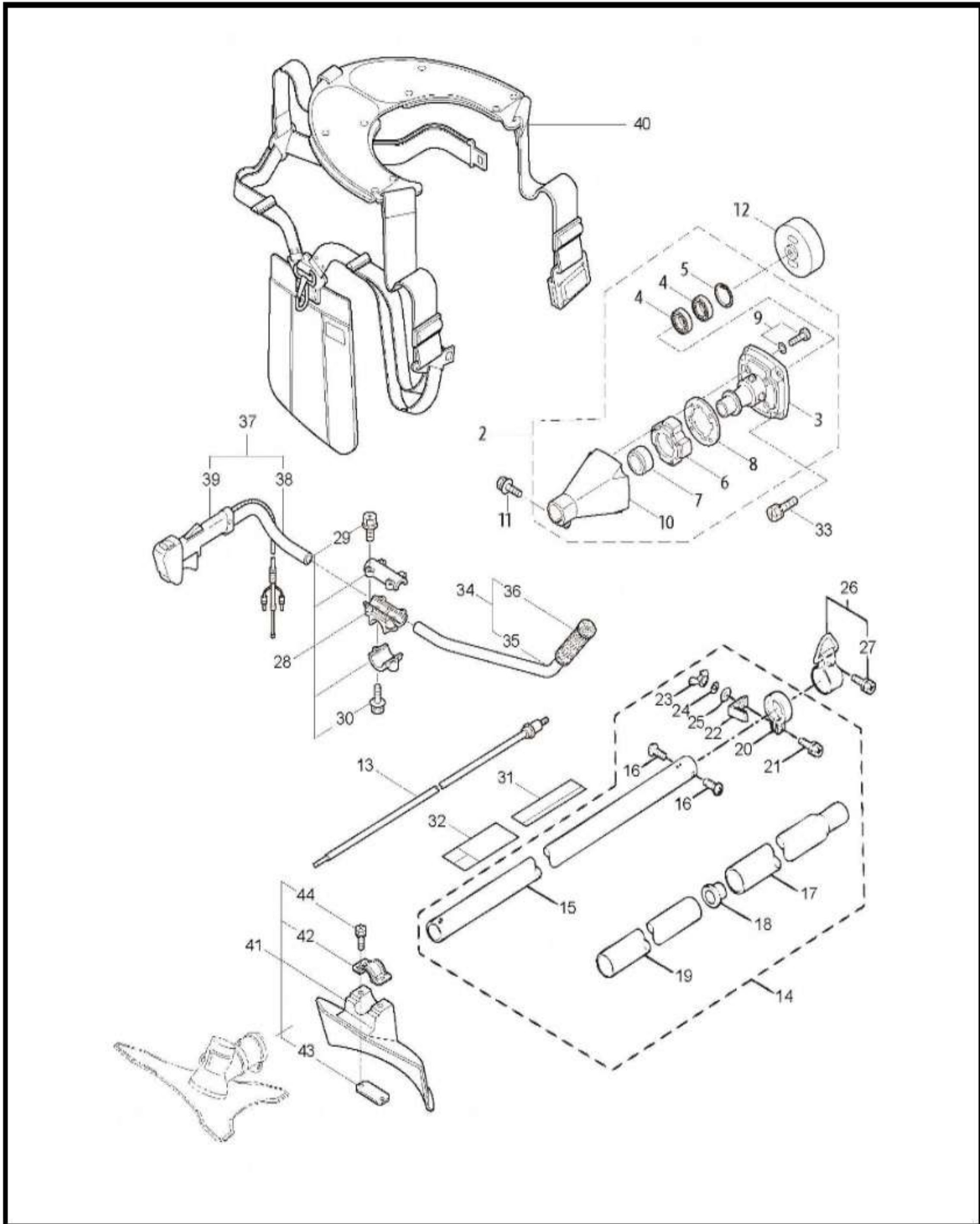
BCF5020H-RS
BRUSHCUTTER
PART 522385



Maruyama. *E x t r a o r d i n a r y .*

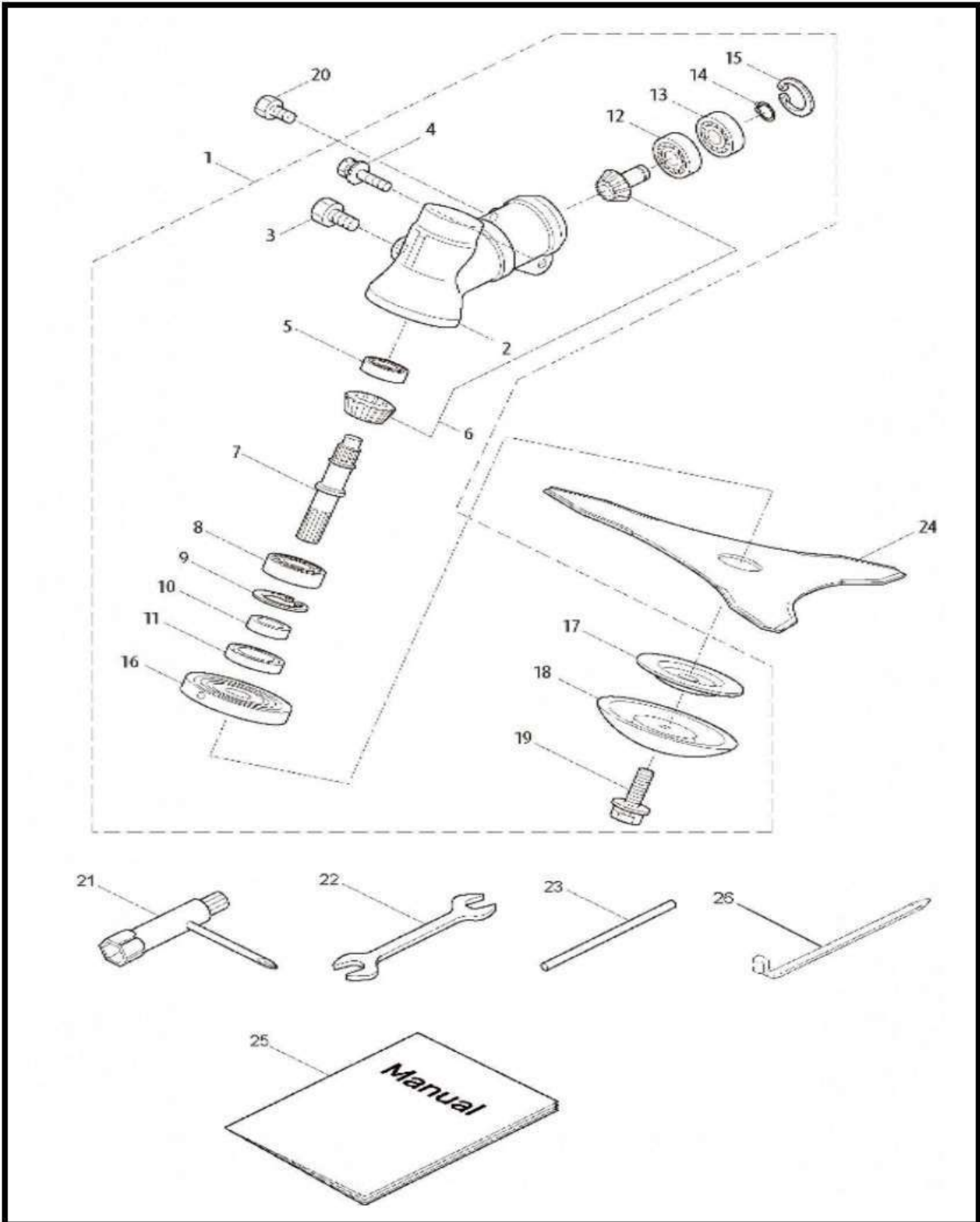
2 ILLUSTRATED PARTS LIST
BCF5020H-RS

MAIN BODY



REF #	PART #	DESCRIPTION	Q'TY.	NOTES
2	228329	Clutch Case Ass'y	1	Incl.3-10
3	227729	Bearing Case	1	
4	140474	Bearing	2	#6202ZZ
5	012380	Snap Ring	1	#35
6	217045	Buffer (A)	1	
7	2170460	Buffer (B)	1	
8	217047	Washer	1	
9	092033	Screw	4	M5x15
10	227728	Driveshaft Tube Adapter	1	
11	092556	Bolt	1	M6x30
12	211203	Clutch Drum	1	
13	217897	Driveshaft Ass'y	1	
14	224994	Driveshaft Tube Ass'y	1	Incl.15-25
15	218335	Driveshaft Tube (A)	1	
16	089580	Screw	2	M3.5x6
17	218324	Driveshaft Tube (B)	1	
18	059257	Pipe Base	1	
19	218325	Sleeve	1	
20	218237	Stopper	1	
21	092556	Bolt	1	M6x30
22	224995	Plate	1	
23	054990	Butterfly Nut	1	
24	012502	Spring Washer	1	M6
25	013754	Washer	1	M6
26	220007	Hanging Bracket Ass'y	1	Incl.27
27	089743	Bolt	1	M6x15
28	217638	Bracket Ass'y	1	Incl.29,30
29	092554	Bolt	4	M6x25
30	092556	Bolt	2	M6x30
31	228801	Label	1	BCF5020H-RS
32	213750	Label	1	Caution
33	092552	Bolt	4	M6x20
34	228398	Handle Ass'y-Left	1	Incl.35,36
35	228399	Handle (A)	1	
36	226512	Grip	1	
37	228400	Handle Ass'y-Right	1	Incl.38,39
38	228401	Handle (B)	1	
39	223157	Throttle Trigger	1	
40	998384	Full Support Harness	1	
41	219873	Safety Cover Ass'y	1	Incl.42-44
42	219874	Bracket	1	
43	210313	Threaded Bracket	1	
44	092555	Bolt	2	M6x30

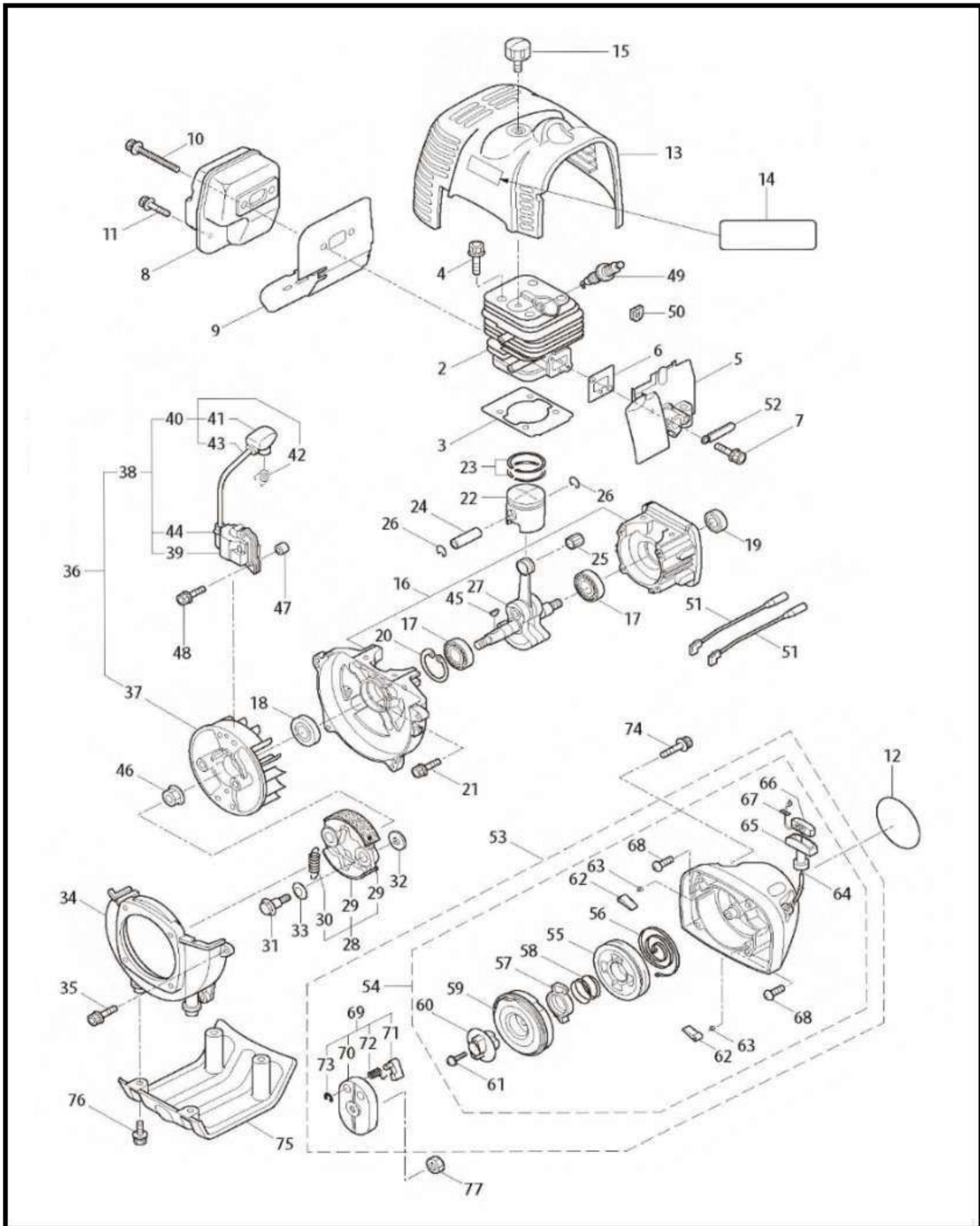
GEAR CASE



REF #	PART #	DESCRIPTION	Q'TY.	NOTES
1	226721	Gearcase Ass'y	1	Incl. 2-19
2	219646	Gearcase	1	
3	089884	Bolt	1	M8x10
4	092556	Bolt	1	M6x30
5	210560	Bearing	1	#609
6	227102	Gear Set	1	
7	217057	Blade Shaft	1	
8	022009	Bearing	1	#6002
9	016732	Snap Ring	1	#32
10	212394	Collar	1	15x22x8L
11	211818	Oil Seal	1	D22 32 6
12	014490	Bearing	1	#6000
13	106933	Bearing	1	#6000Z
14	014210	Snap Ring	1	#10
15	054676	Snap Ring	1	#26
16	217060	Boss Adapter	1	
17	217061	Clamping Washer	1	
18	210308	Stabilizer	1	
19	226722	Bolt	1	M8x22, Counterclockwise
20	089747	Bolt	1	M6x12
21	210418	Box Spanner	1	13x19x(+)
22	022865	Double-ended Wrench	1	8x10
23	210181	Lever Handle	1	3.5x170L
24	227910	3-Teeth Blade	1	
25	228640	Instruction Manual	1	BC4320H/BC5020H
26	214022	Band	2	

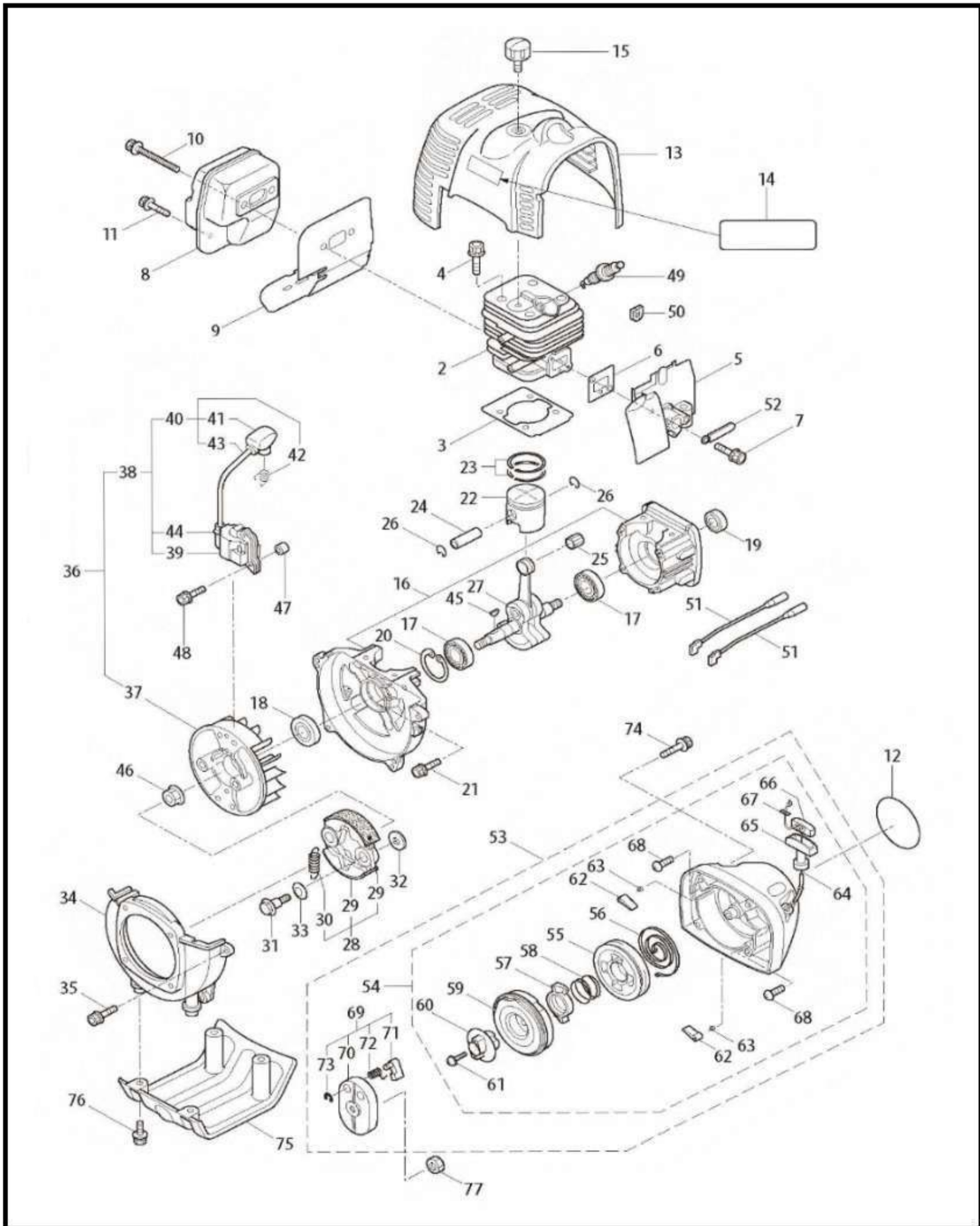
6 ILLUSTRATED PARTS LIST
BCF5020H-RS

ENGINE



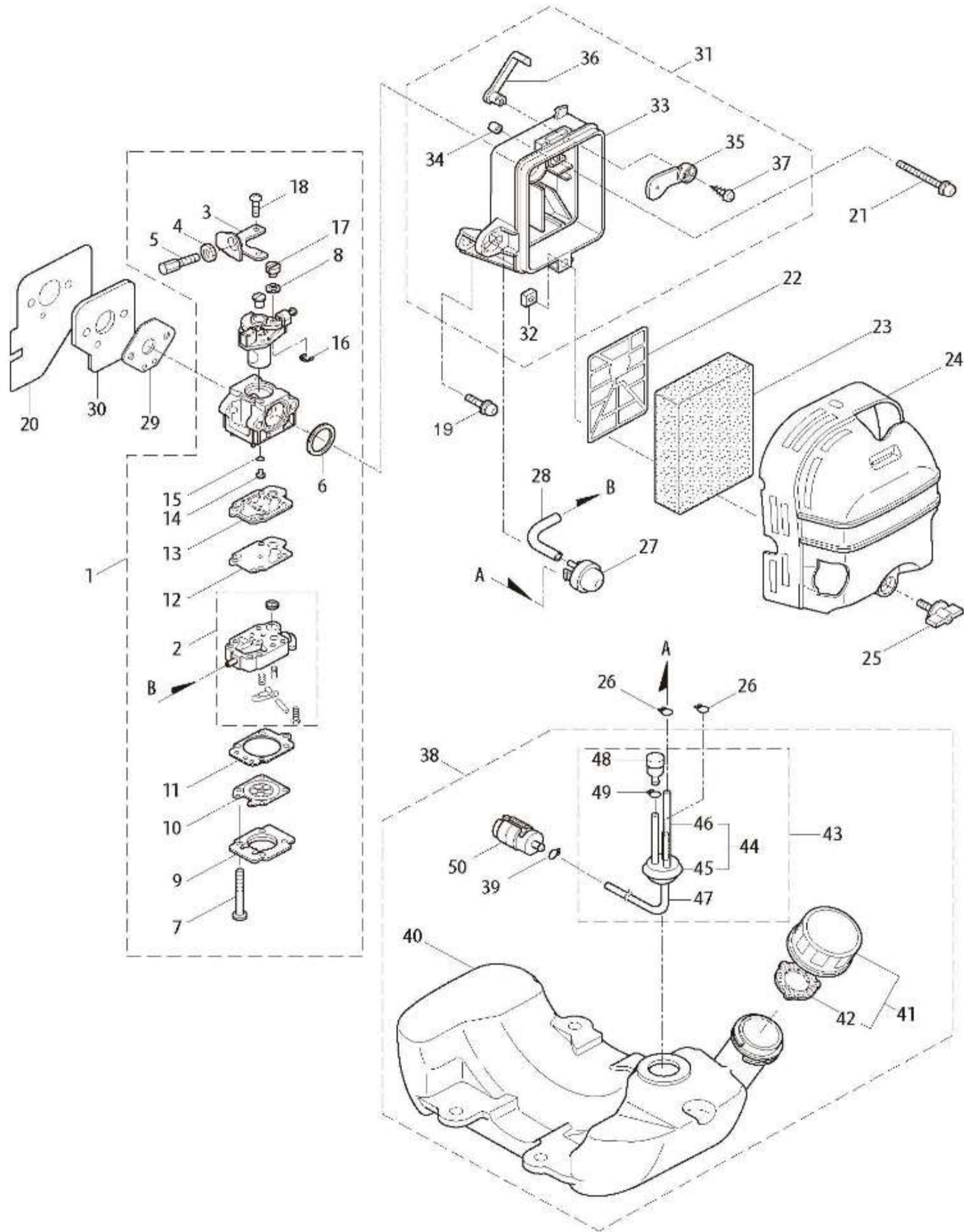
REF #	PART #	DESCRIPTION	Q'TY.	NOTES
2	283076	Cylinder	1	New gasket required
3	282259	Gasket	1	
4	261612	Cap Screw	4	M5x30
5	282261	Insulator	1	New gasket required
6	282262	Gasket	1	
7	267290	Cap Screw	2	M5x20
8	282264	Muffler Comp.	1	
9	282271	Gasket	1	
10	266713	Cap Screw	2	M5x60
11	283315	Screw	1	M5x12W-12
12	283554	Label	1	MARUYAMA NE500
13	282274	Top Cover	1	
14	262714	Label	1	MARUYAMA
15	262556	Knob	1	
16	282277	Crankcase	1	
17	262658	Bearing	2	#6202C3
18	262660	Oil Seal	1	TC15357
19	262565	Oil Seal	1	ISCD15257
20	012380	Snap Ring	1	#35
21	261612	Cap Screw	4	M5x30
22	283078	Piston	1	
23	282941	Piston Ring	2	(2)Required
24	262749	Piston Pin	1	
25	262659	Bearing,Needle	1	KTV111414EG01B2
26	262479	Clip,Piston Pin	2	
27	283038	Crankshaft/Conn.Rod Ass'y	1	
28	282743	Clutch Ass'y	1	Incl.29,30
29	282624	Clutch Shoe	2	(2)required
30	263617	Spring,Clutch	1	2.3-44.8L
31	283671	Cap Screw	2	M8x1.25
32	262683	Washer	2	8x22xt1.2
33	262682	Wave Washer	2	
34	282285	Fan Cover	1	
35	261250	Cap Screw	4	M5x20
36	282287	Magneto Ass'y	1	Incl.37-44
37	282288	Rotor/Fan	1	
38	282289	Ignition Coil Ass'y	1	Incl.39-44
39	267572	Coil	1	
40	282290	Spark Plug Wire Ass'y	1	Incl.41-43
41	282292	Plug Boot	1	
42	261075	Connector	1	
43	282291	Spark Plug Wire	1	
44	261072	Cap	1	
45	261076	Woodruff Key	1	3x10
46	262731	Nut,Rotor	1	M10

ENGINE



REF #	PART #	DESCRIPTION	Q'TY.	NOTES
47	268380	Spacer	2	
48	283669	Cap Screw	2	M4x25
49	261200	Spark Plug	1	NGK BPM6Y
50	281172	Grommet	1	
51	267492	Lead	2	130L
52	264588	Clamp	1	
53	282294	Recoil Starter Ass'y	1	Incl.54-73
54	282295	Starter Ass'y	1	Incl.55-68
55	280994	Pulley	1	
56	280995	Spiral Spring	1	
57	280996	Pawl	1	
58	280997	Return Spring	1	
59	283123	Spring Comp.	1	
60	280999	Plate	1	
61	281000	Set Screw	1	
62	281001	Pawl	2	
63	281002	Return Spring	2	
64	281004	Starter Rope	1	
65	262633	Starter Grip	1	
66	262981	Cap	1	
67	281005	Rope Stopper	1	
68	282622	Screw	2	
69	282623	Starter Pulley Ass'y	1	Incl.70-73
70	282282	Starter Pulley	1	
71	262636	Pawl	2	
72	262637	Return Spring	2	
73	262638	E-Ring	2	
74	261607	Cap Screw	4	M5x16
75	282317	Stand	1	
76	281714	Cap Screw	4	M5x20
77	081040	Nut	1	M8

CARBURETOR AND FUEL TANK



REF #	PART #	DESCRIPTION	Q'TY.	NOTES
1	282298	Carburetor Ass'y	1	Incl.2-18 New gasket required
2	283124	Pump Body	1	
3	264677	Bracket	1	
4	261878	Nut	1	
5	263994	Adapter	1	
6	261657	Packing	1	
7	263737	Screw	4	
8	264678	Washer	1	
9	263726	Cover Plate	1	
10	268501	Diaphragm, Meterring	1	
11	263727	Gasket	1	
12	262994	Diaphragm, Fuel Pump	1	
13	282576	Gasket	1	
14	283125	Main Jet	1	
15	261871	O-Ring	1	
16	261876	E-Ring	1	
17	261658	Swivel	1	
18	261875	Screw	2	
19	264807	Cap Screw	1	M5x16
20	283087	Gasket	1	
21	262720	Cap Screw	2	M5x55
22	282481	Plate	1	
23	282306	Element	1	
24	282307	Cleaner Cover	1	
25	281438	Knob	1	
26	261117	Clip	2	
27	282299	Pump	1	
28	282512	Fuel Pipe	1	
29	282301	Gasket	1	
30	283086	Divider	1	
31	282302	Case Ass'y	1	Incl.32-37
32	269423	Nut	1	
33	282303	Case Body	1	
34	282484	Sleeve	3	
35	282304	Valve	1	
36	282305	Lever	1	
37	269032	Screw	1	
38	283487	Fuel Tank Ass'y	1	Incl.39-50
39	261117	Clip	1	
40	282310	Fuel Tank	1	
41	269201	Fuel Tank Cap Ass'y	1	Incl.42
42	269377	Gasket	1	
43	282312	Fuel Pipe Ass'y	1	Incl.44-49
44	282313	Pipe Ass'y	1	Incl.45,46
45	268065	Grommet	1	
46	282511	Return Pipe	1	
47	262649	Fuel Pipe	1	
48	261590	Breather	1	
49	261117	Clip	1	
50	267328	Fuel Filter Ass'y	1	



Maruyama U.S., Inc.
3570 Shelby Lane
Denton, TX 76207
940-383-7400 voice
940-383-7466 fax

www.maruyama-us.com