

Is Your Product Registered?

Contact your Dealer to verify.

Warranties are based on Registrations and reduced to 1 year without
Registration.

MARUYAMA

ILLUSTRATED PARTS LIST

BCF429H

BCF509H

BRUSHCUTTER



BCF429H
BRUSHCUTTER
PART845417-REV04/03

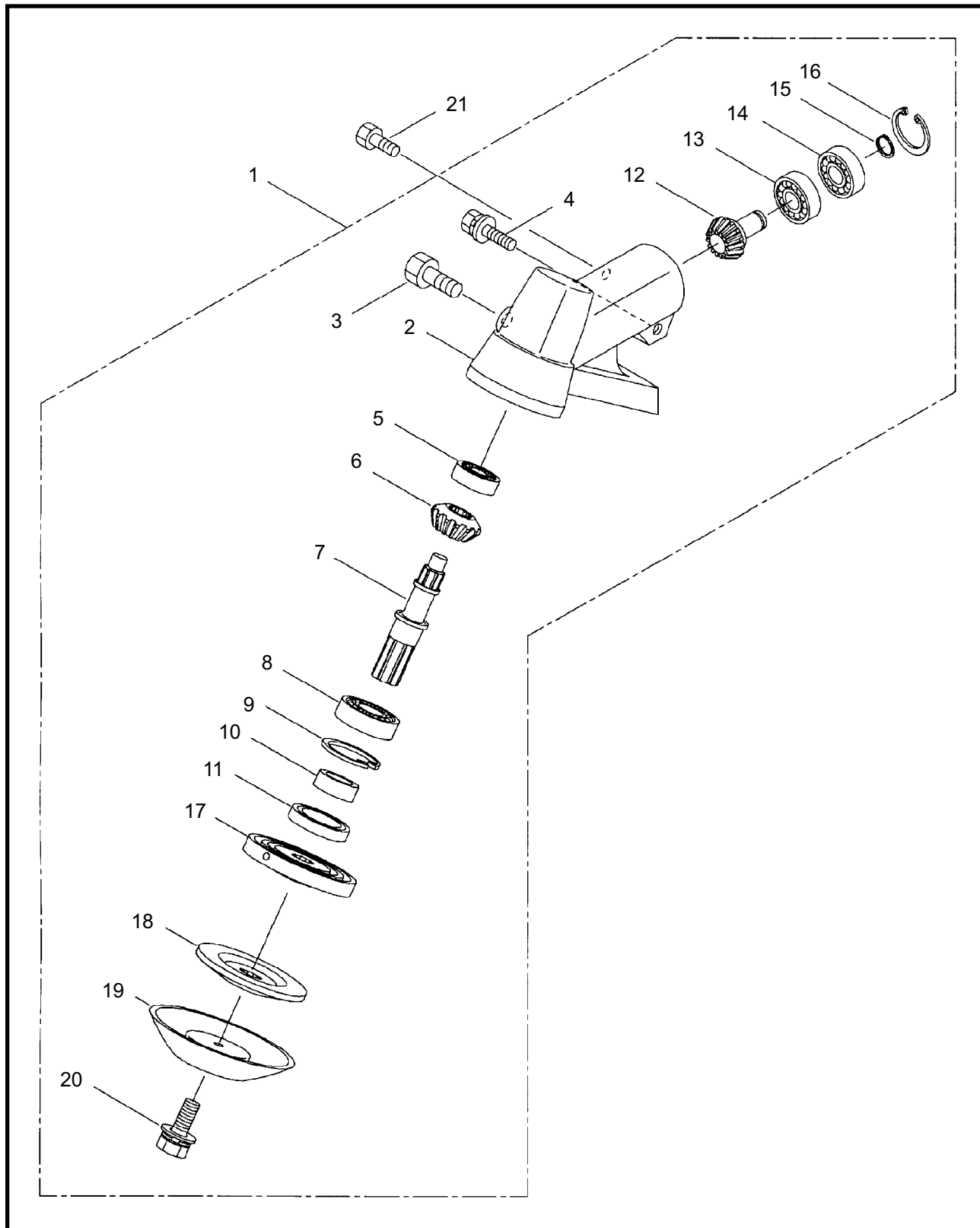


Maruyama. *E x t r a o r d i n a r y .*

REF #	PART #	DESCRIPTION	Q'TY.	NOTES
1	217043	Clutch Case Ass'y	1	Incl. 2-9
2	217044	Bearing Case	1	
3	140474	Bearing	2	#620ZZ
4	012380	Snap Ring	1	
5	217045	Buffer (A)	1	
6	217046	Buffer (B)	1	
7	217047	Washer	1	
8	092033	Screw	4	M5x15
9	217048	Driveshaft Tube Adapter	1	
10	092556	Bolt	1	M6x30
11	902835	Clutch Drum	1	
12	217897	Driveshaft Ass'y	1	
13	224994	Driveshaft Tube Ass'y	1	Incl. 14-19
14	218335	Driveshaft Tube	1	
15	089580	Screw	2	M3.5x6
16	225970	Driveshaft Tube (B)	1	Inc. 35
17	059257	Pipe Base	1	
18	218325	Sleeve	1	
19	225046	Stopper Ass'y	1	
20	220007	Hanging Bracket Ass'y	1	Incl. 21
21	089743	Bolt	1	M6x15
22	998384	Full Support Harness	1	
23	217638	Bracket Ass'y	1	Incl. 24,25
24	092554	Bolt	4	M6x25
25	092556	Bolt	2	M6x30
26	225236	Handle Ass'y-Left	1	Incl. 27,28
27	225218	Handle	1	
28	217904	Handle Grip	1	
29	225237	Handle Ass'y-Right	1	Incl. 30,31
30	225219	Handle	1	
31	217907	Handle Grip	1	
32	222152	Throttle Trigger	1	
33	217091	Safety Cover	1	
34	092562	Bolt	4	M5x10
35	213750	Label	1	Caution
36	225235	Label	1	BCF429H
36	225500	Label	1	BCF509H
37	219113	Cap Screw	4	M6x20

4 ILLUSTRATED PARTS LIST
BCF429H & BCF509H

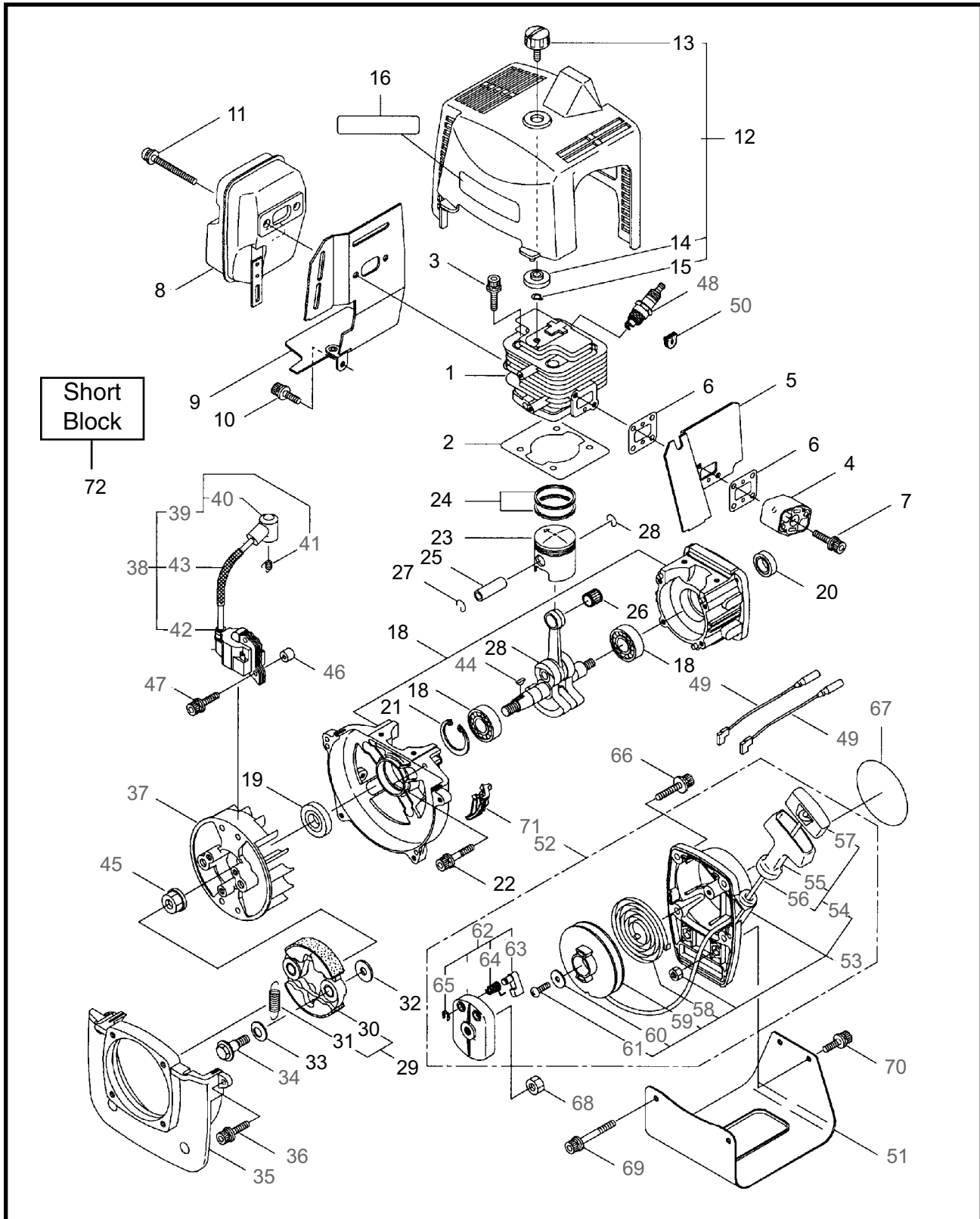
GEAR CASE



REF #	PART #	DESCRIPTION	Q'TY.	NOTES
1	217088	Gearcase Ass'y	1	Incl. 2-20
2	217089	Gearcase	1	
3	089884	Bolt	1	M8x10
4	092556	Bolt	1	M6x30
5	210560	Bearing	1	#609
6	211698	Gear	1	
7	217057	Blade Shaft	1	
8	022009	Bearing	1	#6002
9	016732	Snap Ring	1	
10	212394	Collar	1	
11	211818	Oil Seal	1	
12	211695	Pinion Gear	1	
13	014490	Bearing	1	#6000
14	054808	Bearing	1	#6000Z
15	014210	Snap Ring	1	
16	054676	Snap Ring	1	
17	217060	Boss Adapter	1	
18	217061	Clamping Washer	1	
19	902311	Stabilizer	1	
20	215610	Bolt	1	M8x22 Counterclockwise
21	089747	Bolt	1	M6x12

6 ILLUSTRATED PARTS LIST
BCF429H & BCF509H

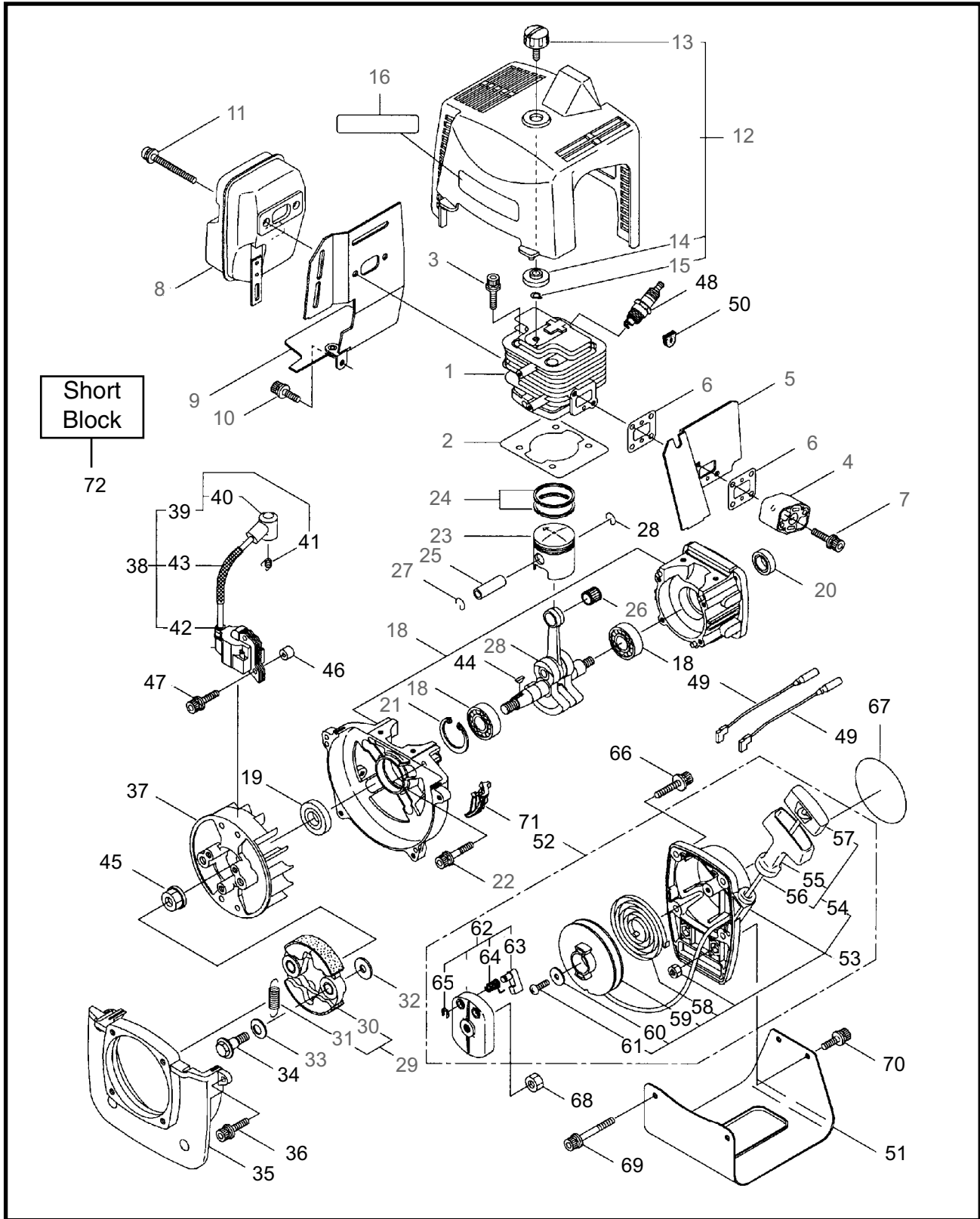
ENGINE



REF #	PART #	DESCRIPTION	Q'TY.	NOTES
1	262544	Cylinder	1	New gasket required BCF429H
1	264017	Cylinder	1	New gasket required BCF509H
2	262546	Gasket	1	
3	261246	Cap Screw	4	M5x25
4	262548	Insulator	1	New gasket required
5	262550	Air Duct	1	BCF429H
5	264064	Air Duct	1	BCF509H
6	262790	Gasket	2	
7	265924	Cap Screw	2	M5x25
8	262748	Muffler	1	
9	262617	Gasket	1	
10	261607	Cap Screw	1	M5x16
11	262687	Cap Screw	2	M6x65
12	265342	Top Cover Ass'y	1	Incl. 13-15
13	262556	Knob	1	
14	262689	Spacer	1	
15	262690	Snap Ring	1	
16	262714	Label	1	MARUYAMA
17	262558	Crankcase	1	
18	262658	Bearing	2	#6202C3
19	262660	Oil Seal	1	
20	262565	Oil Seal	1	
21	012380	Snap Ring	1	
22	261999	Cap Screw	4	M5x40
23	265227	Piston	1	BCF429H
23	264003	Piston	1	BCF509H
24	262476	Piston Ring	2	(2) Required BCF429H
24	264005	Piston Ring	2	(2) Required BCF509H
25	262749	Piston Pin	1	
26	262659	Bearing, Needle	1	
27	262479	Clip, Piston Pin	2	
28	262567	Crankshaft/Conn. Rod Ass'y	1	
29	262577	Clutch Ass'y	1	Incl. 30,31
30	262655	Clutch Shoe	2	(2) Required
31	263615	Spring, Clutch	1	
32	262683	Washer	2	
33	262682	Wave Washer	2	

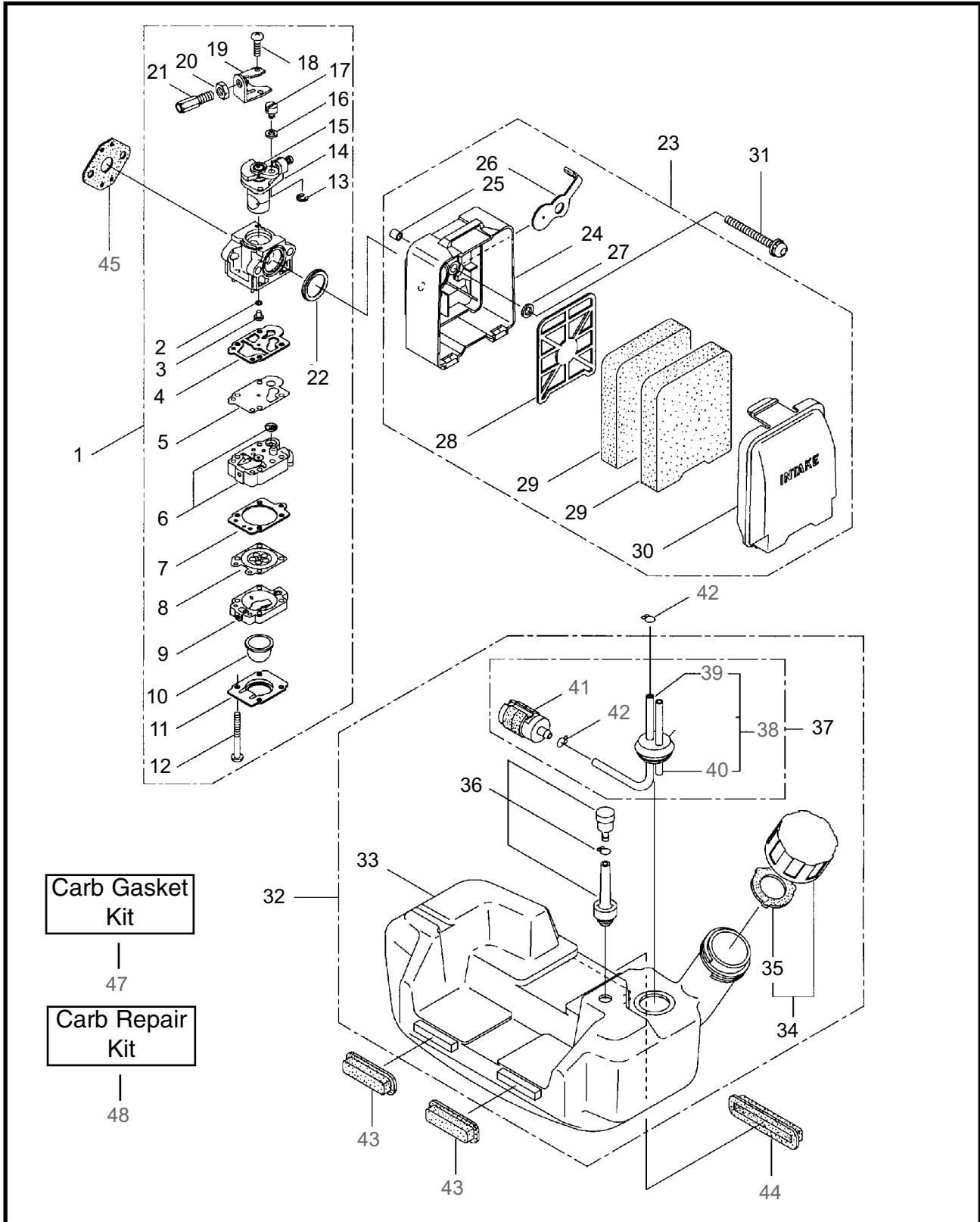
8 ILLUSTRATED PARTS LIST
BCF429H & BCF509H

ENGINE



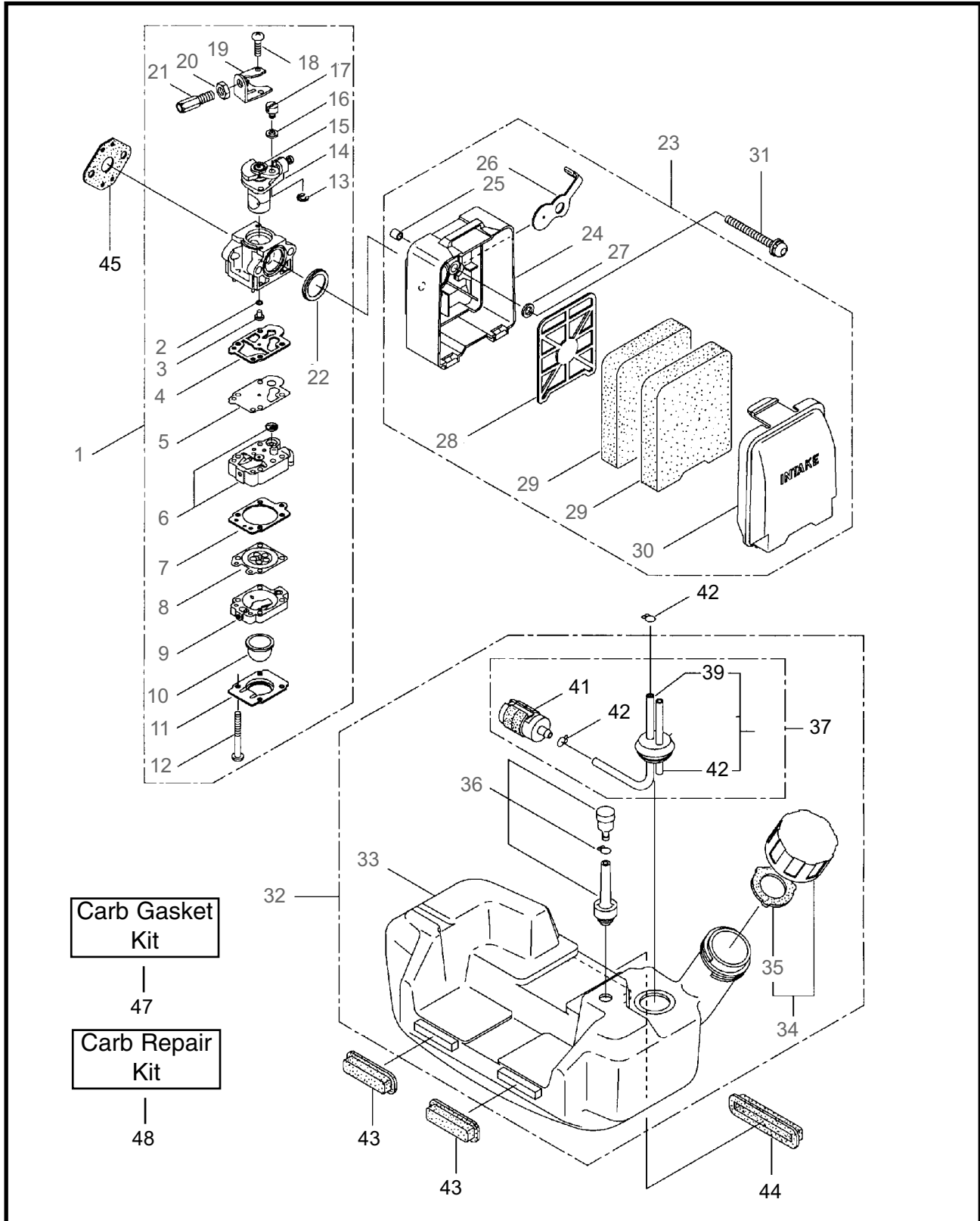
REF #	PART #	DESCRIPTION	Q'TY.	NOTES
34	262684	Clutch Bolt	2	M8
35	264388	Fan Cover	1	
36	261250	Cap Screw	2	M5x20
37	264673	Rotor/Fan	1	
38	267580	Ignition Coil Ass'y	1	Incl. 39-43
39	267584	Spark Plug Wire Ass'y	1	Incl. 40,41
40	261074	Plug Boot	1	
41	261075	Connector	1	
42	261072	Cap	1	
43	269421	Insulator	1	
44	261076	Woodruff Key	1	3x10
45	262731	Nut, Rotor	1	M10
46	261078	Spacer	2	
47	261256	Cap Screw	2	M4x25
48	261200	Spark Plug	1	NGK BPM6Y
49	267519	Wire, Lead	2	
50	261202	Grommet	1	
51	263281	Stand	1	
52	263525	Recoil Starter Ass'y	1	Incl. 53-65
53	263526	Recoil Ass'y	1	Incl. 54-61
54	262631	Rope Ass'y	1	Incl. 55-57
55	262633	Starter Grip	1	
56	262632	Starter Rope	1	
57	262981	Cap	1	
58	262627	Spiral Spring	1	
59	262626	Pulley	1	
60	262982	Washer	1	
61	262629	Screw	1	
62	262634	Starter Pawl Ass'y	1	Incl. 63-65
63	262636	Pawl	1	
64	262637	Return Spring	1	
65	262638	E-Ring	1	
66	261257	Cap Screw	4	M4x16
67	264520	Label	1	BCF429H
67	265727	Label	1	BCF509H
68	081040	Nut	1	M8
69	268270	Cap Screw	2	M5x40
70	261607	Cap Screw	2	M5x16
71	265459	Screen	1	
72	850580	Short Block	1	BCF429H
72	850673	Short Block	1	BCF509H

CARBURETOR AND FUEL TANK



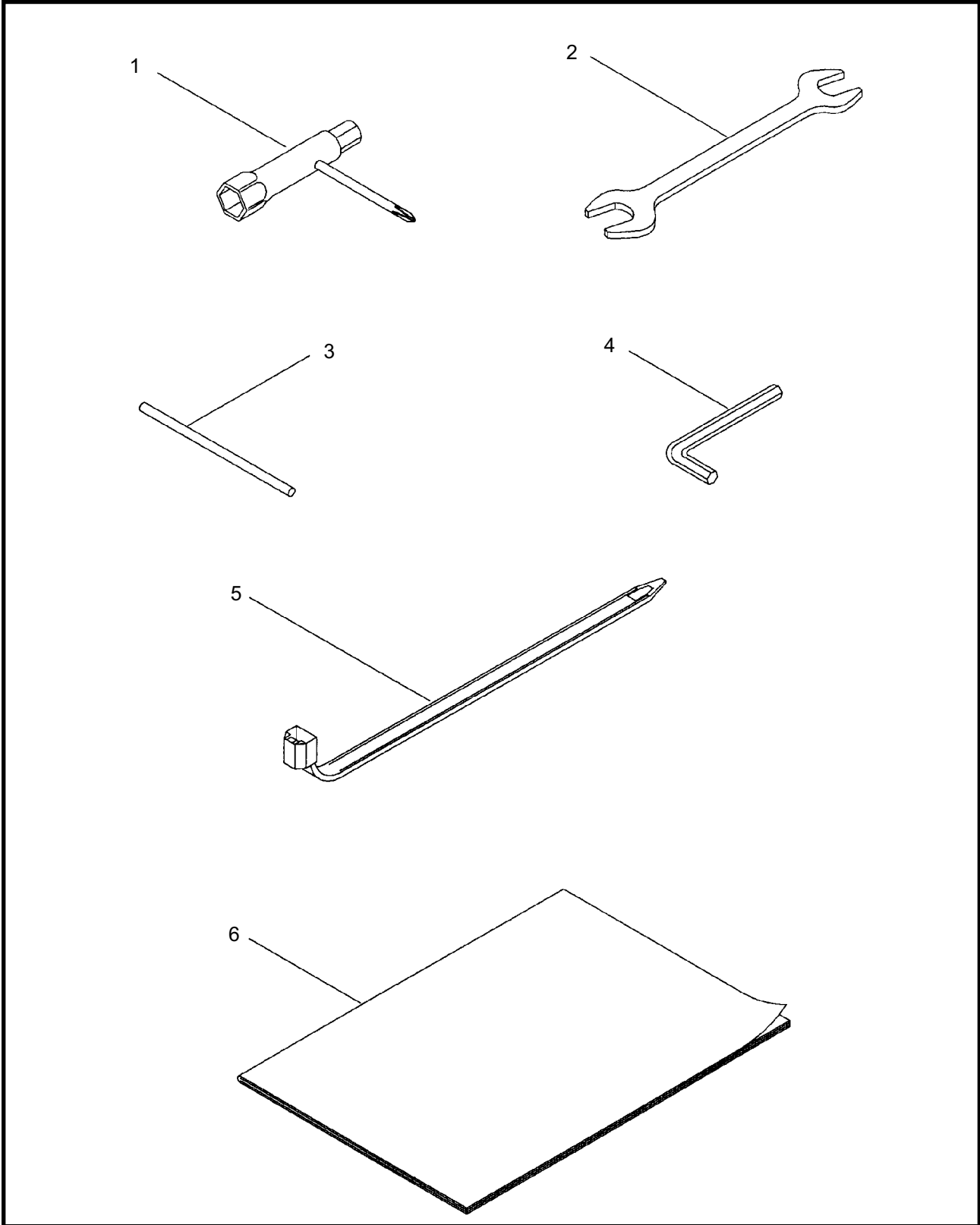
REF #	PART #	DESCRIPTION	Q'TY.	NOTES
1	268977	Carburetor Ass'y	1	Incl. 2-22
2	261871	O-Ring	1	
3	263247	Main Jet	1	#50
4	262995	Gasket	1	
5	262994	Diaphragm, Fuel Pump	1	
6	263739	Pump Body	1	
7	262993	Gasket	1	
8	261873	Diaphragm, Metering	1	
9	262991	Purge Body	1	
10	261874	Primer Bulb	1	
11	262992	Cover Plate	1	
12	262996	Screw	4	
13	261876	E-Ring	1	
14	264676	Throttle Vavle	1	
15	261652	Plug	1	
16	264678	Washer	1	
17	261658	Swivel	1	
18	260607	Screw	2	
19	264677	Bracket	1	
20	261878	Nut	1	
21	263994	Adapter	1	
22	261657	Packing	1	
23	263520	Air Filter Ass'y	1	Incl. 24-30
24	263723	Housing	1	
25	263715	Sleeve	2	
26	263007	Choke Valve	1	
27	263000	Washer	1	
28	263717	Screen	1	
29	263714	Foam Element	2	
30	263713	Air Filter Cover	1	
31	261814	Cap Screw	2	M5x50
32	264761	Fuel Tank Ass'y	1	Incl. 33-42
33	264760	Fuel Tank	1	
34	264784	Fuel Tank Cap Ass'y	1	Incl. 35
35	261105	Gasket	1	
36	261696	Breather Ass'y	1	
37	262645	Fuel Pipe Pick-up Ass'y	1	Incl. 38-42
38	262646	Fuel Pipe Ass'y	1	

CARBURETOR AND FUEL TANK



REF #	PART #	DESCRIPTION	Q'TY.	NOTES
39	262649	Fuel Pipe	1	
40	263038	Return Pipe	1	
41	267328	Fuel Filter Ass'y	1	
42	261117	Clip	2	
43	261119	Pad	2	
44	262697	Pad	1	
45	262587	Gasket	1	
46	840860	Carb Gasket Kit	1	
47	840859	Carb Repair Kit	1	

ACCESSORIES



REF #	PART #	DESCRIPTION	Q'TY.	NOTES
1	210418	Box Spanner	1	
2	022865	Double-ended Wrench	1	8x10
3	210181	Lever Handle	1	
4	219433	Wrench	1	5mm
5	214022	Band	2	
6	225231	Instruction Manual	1	



Maruyama U.S., Inc.

Post Office Box 309

Auburn, WA 98071

253-735-7368 voice

253-735-1416 fax

www.maruyama-us.com