

MARUYAMA

ILLUSTRATED PARTS LIST

BC4320H
BRUSHCUTTER

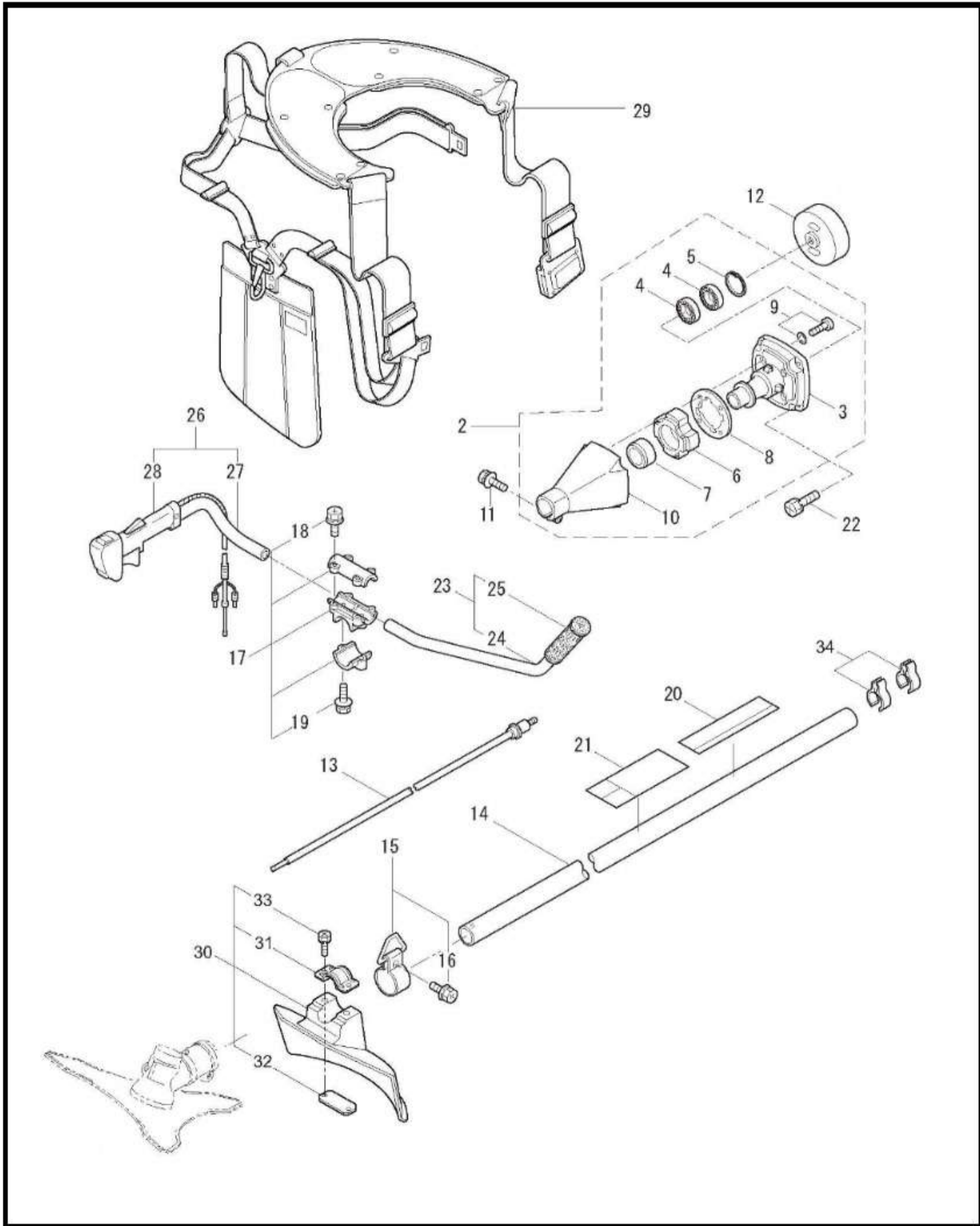


BC4320H
BRUSHCUTTER
PART 522383



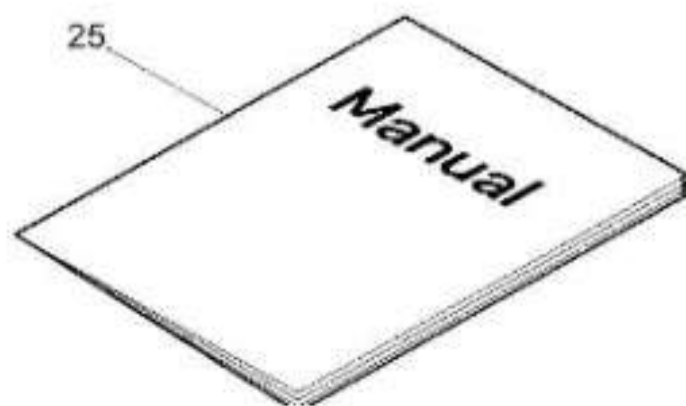
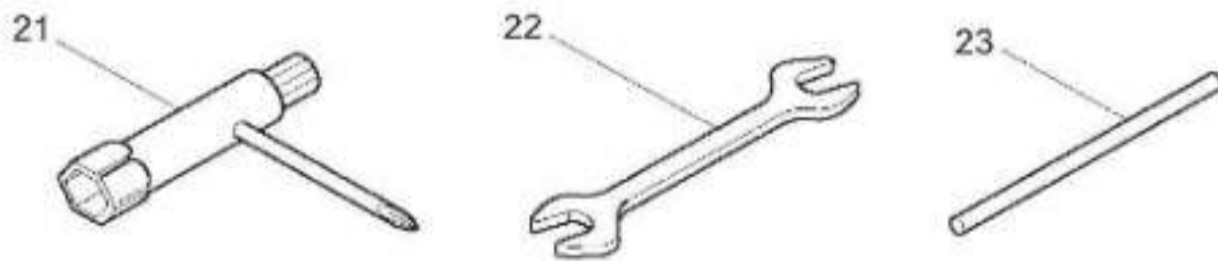
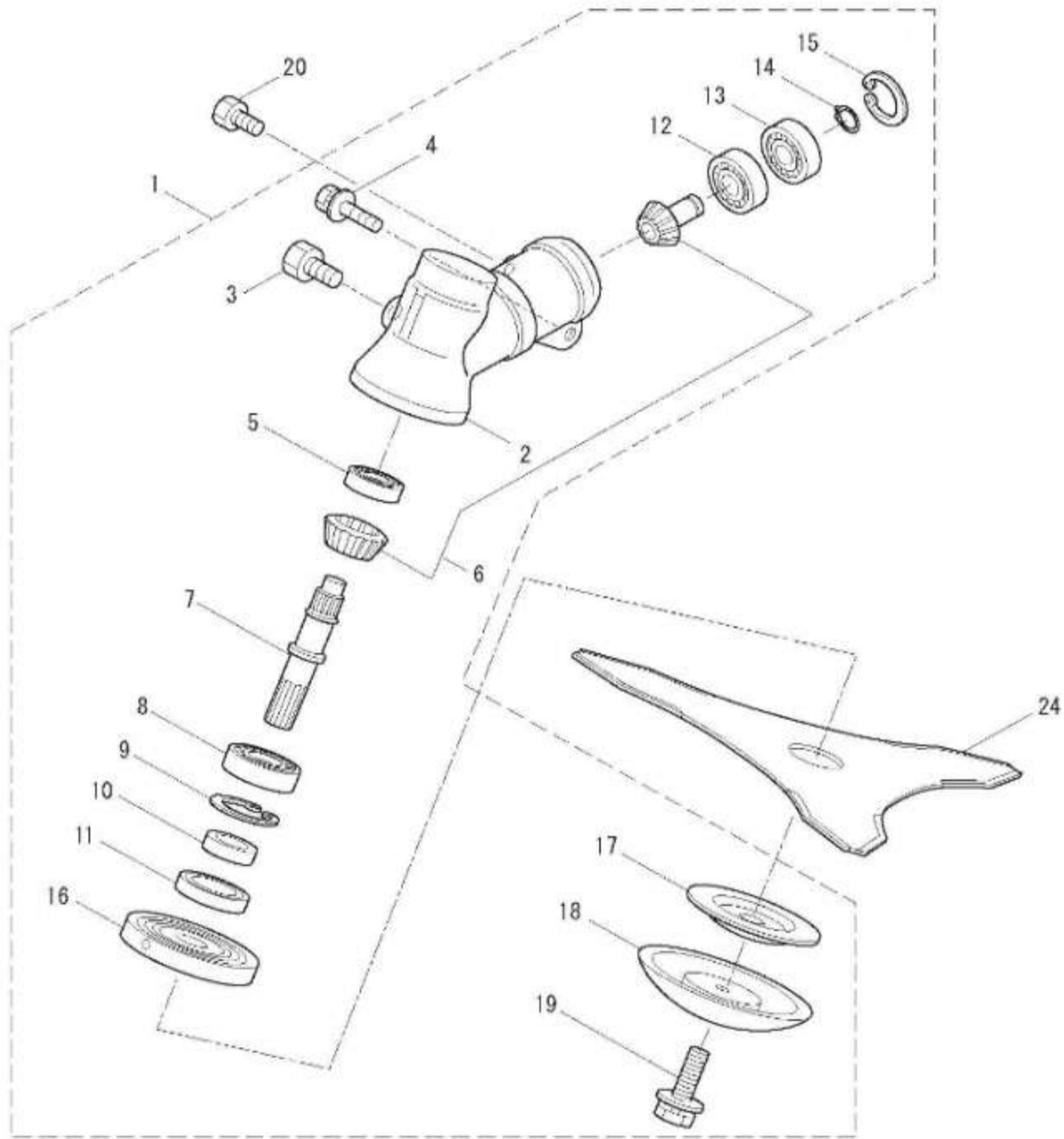
Maruyama. *E x t r a o r d i n a r y .*

MAIN BODY



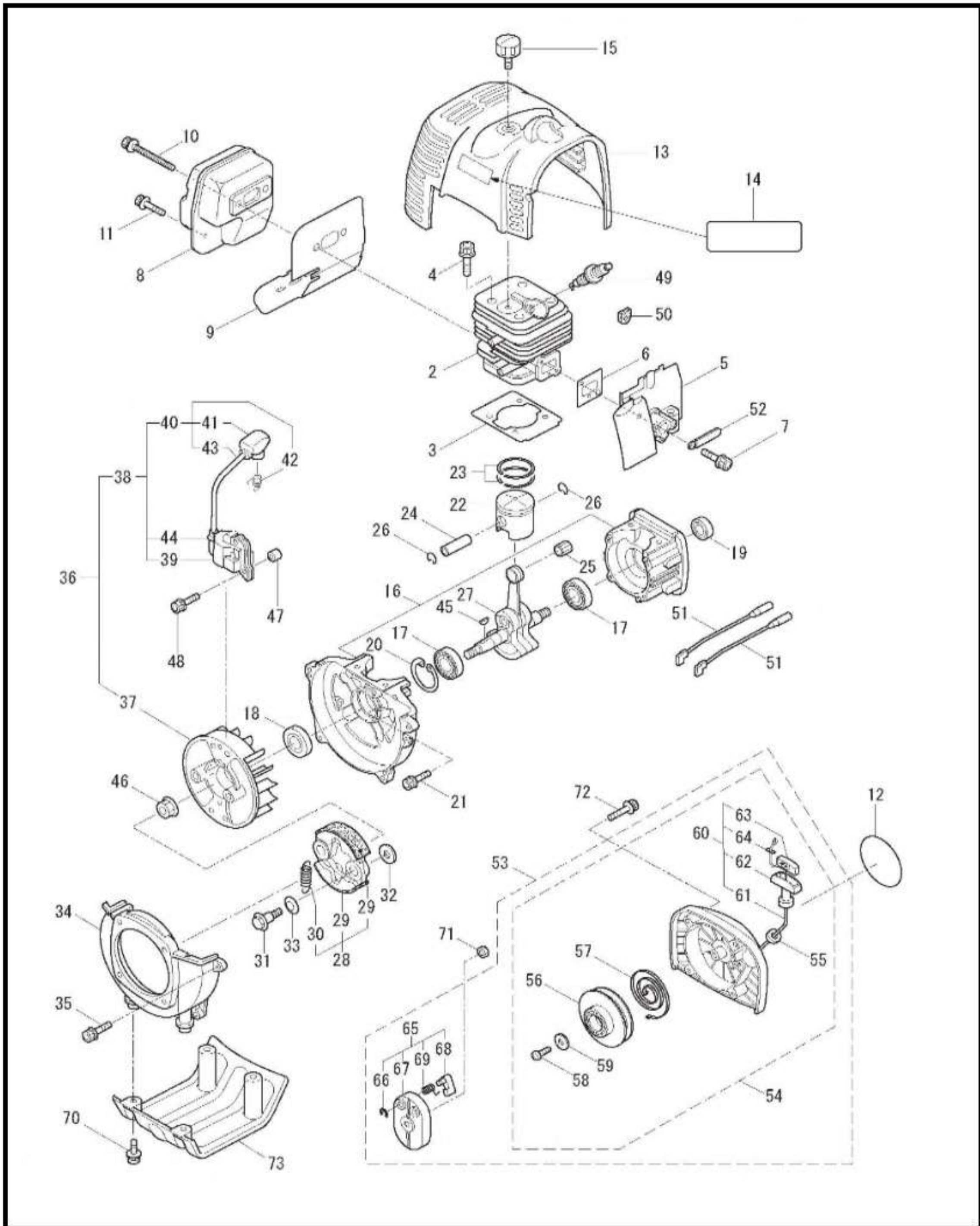
REF #	PART #	DESCRIPTION	Q'TY.	NOTES
2	228329	Clutch Case Ass'y	1	Incl.3-10
3	227729	Bearing Case	1	
4	140474	Bearing	2	#6202ZZ
5	012380	Snap Ring	1	#35
6	217045	Buffer (A)	1	
7	217046	Buffer (B)	1	
8	217047	Washer	1	
9	092033	Screw	4	M5x15
10	227728	Driveshaft Tube Adapter	1	
11	092556	Bolt	1	M6x30
12	211203	Clutch Drum	1	
13	217897	Driveshaft Ass'y	1	
14	217900	Driveshaft Tube	1	
15	217850	Hanging Bracket Ass'y	1	Incl.16
16	092548	Bolt	1	M5x15
17	217638	Bracket Ass'y	1	Incl.18,19
18	092554	Bolt	4	M6x25
19	092556	Bolt	2	M6x30
20	228542	Label	1	BC4320H
21	213750	Label	1	Caution
22	092552	Bolt	4	M6x20
23	228398	Handle Ass'y-Left	1	Incl.24,25
24	228399	Handle (A)	1	
25	226512	Grip	1	
26	228400	Handle Ass'y-Right	1	Incl.27,28
27	228401	Handle (B)	1	
28	223157	Throttle Trigger	1	
29	998384	Full Support Harness	1	
30	219873	Safety Cover Ass'y	1	Incl.31-33
31	219874	Bracket	1	
32	210313	Threaded Bracket	1	
33	092555	Bolt	2	M6x30
34	219161	Wire Guide	2	

GEAR CASE



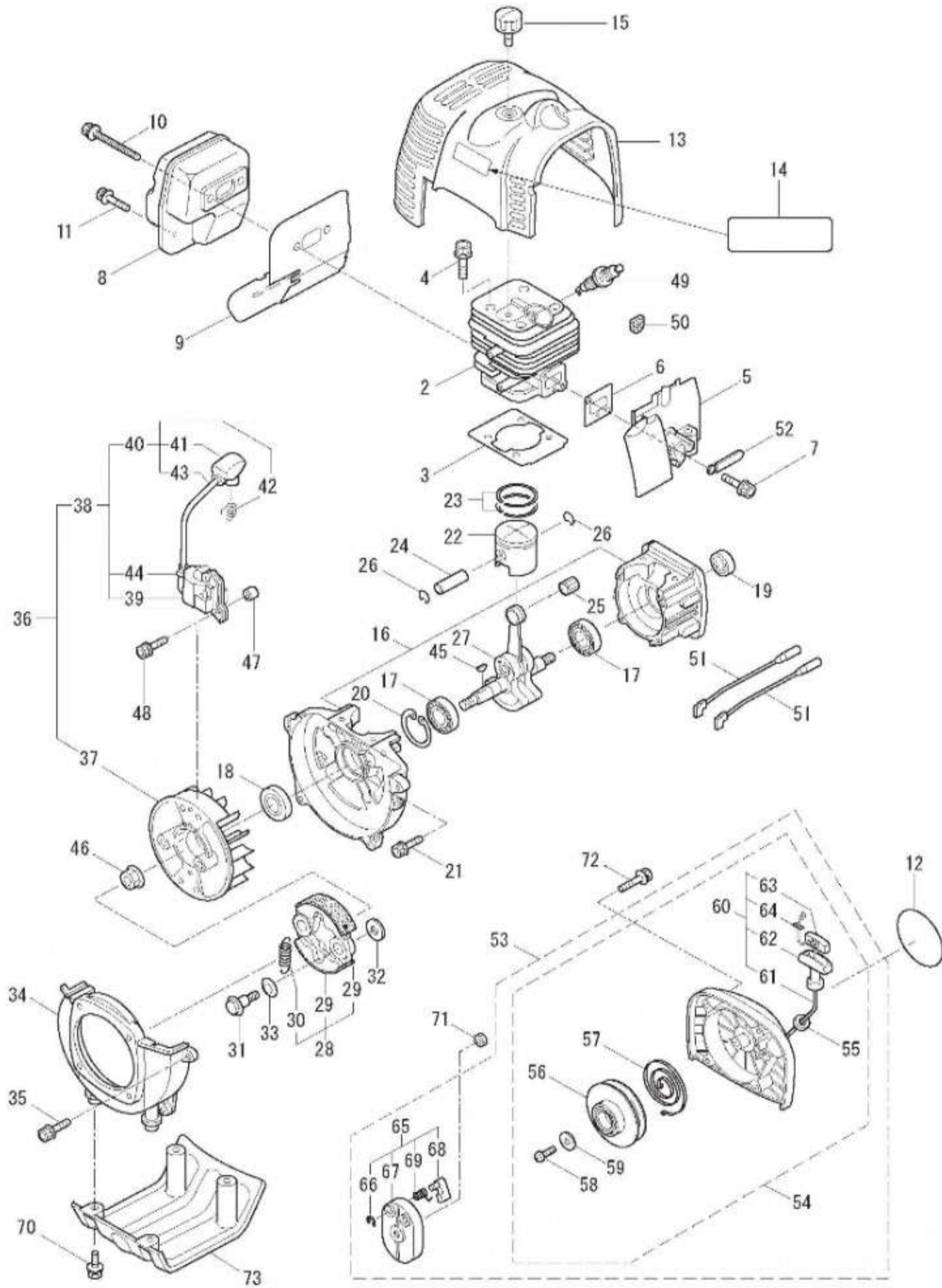
REF #	PART #	DESCRIPTION	Q'TY.	NOTES
1	226721	Gearcase Ass'y	1	Incl.2-19
2	219646	Gearcase	1	
3	089884	Bolt	1	M8x10
4	092556	Bolt	1	M6x30
5	210560	Bearing	1	#609
6	227102	Gear Set	1	
7	217057	Blade Shaft	1	
8	022009	Bearing	1	#6002
9	016732	Snap Ring	1	#32
10	212394	Collar	1	15x22x8L
11	211818	Oil Seal	1	D22 32 6
12	014490	Bearing	1	#6000
13	106933	Bearing	1	#6000Z
14	014210	Snap Ring	1	#10
15	054676	Snap Ring	1	#26
16	217060	Boss Adapter	1	
17	217061	Clamping Washer	1	
18	210308	Stabilizer	1	
19	226722	Bolt	1	M8x22,Counterclockwise
20	089747	Bolt	1	M6x12
21	210418	Box Spanner	1	13x19x(+)
22	022865	Double-ended Wrench	1	8x10
23	210181	Lever Handle	1	3.5x170L
24	227910	3-Teeth Blade	1	
25	228640	Instruction Manual	1	BC4320H

ENGINE



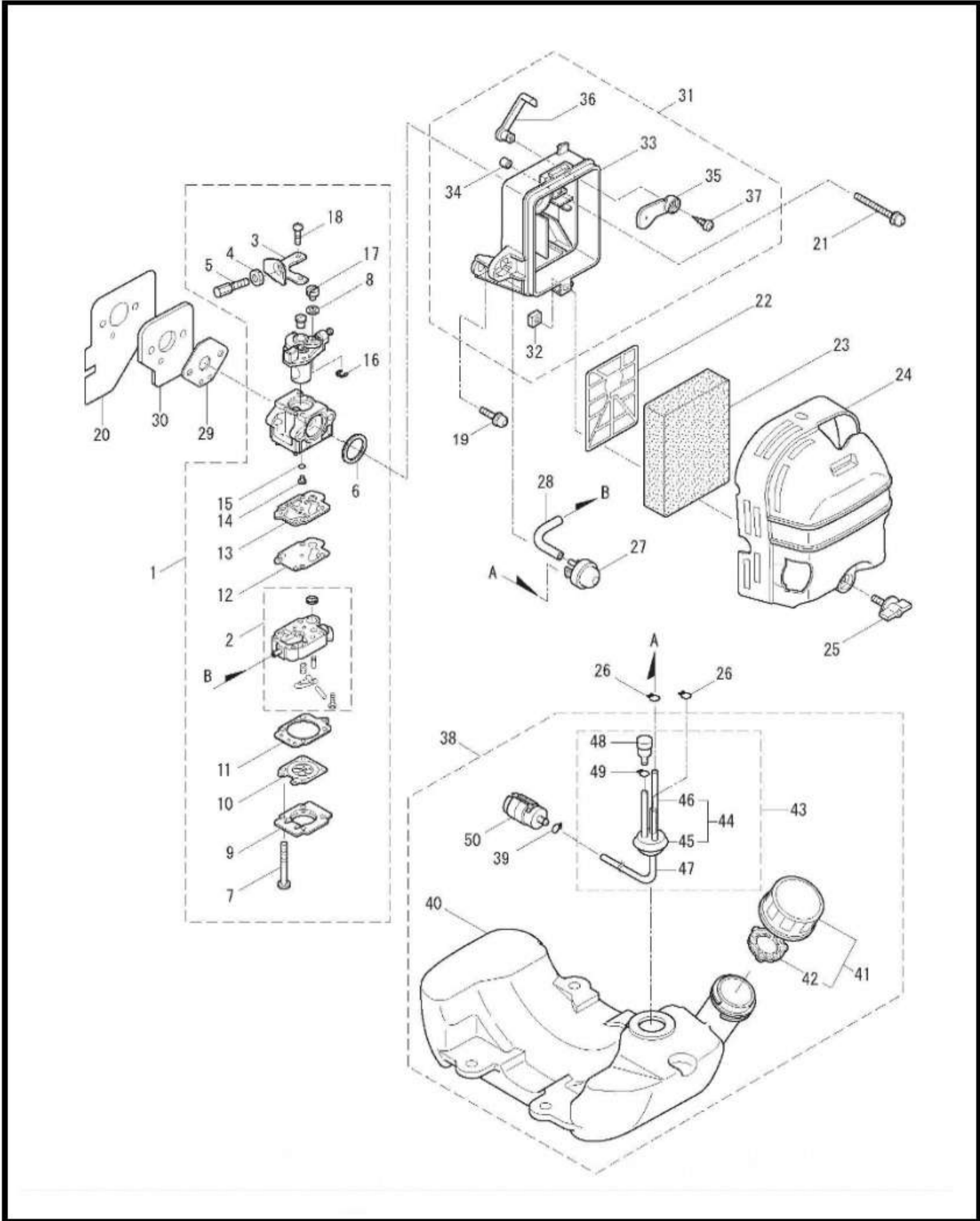
REF #	PART #	DESCRIPTION	Q'TY.	NOTES
2	282257	Cylinder	1	New gasket required
3	282259	Gasket	1	
4	261612	Cap Screw	4	M5x30
5	282261	Insulator	1	New gasket required
6	282262	Gasket	1	
7	267290	Cap Screw	2	M5x20
8	282264	Muffler Comp.	1	
9	282271	Gasket	1	
10	266713	Cap Screw	2	M5x60
11	283315	Screw	1	M5x12W-12
12	283573	Label	1	MARUYAMA NE420
13	282274	Top Cover	1	
14	281759	Label	1	MUS MARUYAMA
15	262556	Knob	1	
16	282277	Crankcase	1	
17	262658	Bearing	2	#6202C3
18	262660	Oil Seal	1	TC15357
19	262565	Oil Seal	1	ISCD15257
20	012380	Snap Ring	1	#35
21	261612	Cap Screw	4	M5x30
22	265227	Piston	1	
23	262476	Piston Ring	2	(2)Required
24	262749	Piston Pin	1	
25	262659	Bearing, Needle	1	KTV111414EG01B2
26	262479	Clip, Piston Pin	2	
27	283038	Crankshaft/Conn.Rod Ass'y	1	
28	282743	Clutch Ass'y	1	Incl.29,30
29	282624	Clutch Shoe	2	(2)required
30	263617	Spring,Clutch	1	2.3-44.8L
31	282321	Cap Screw	2	M8x1.25
32	262683	Washer	2	8x22xt1.2
33	262682	Wave Washer	2	
34	282285	Fan Cover	1	
35	261250	Cap Screw	4	M5x20
36	282287	Magneto Ass'y	1	Incl.37-44
37	282288	Rotor/Fan	1	
38	282289	Ignition Coil Ass'y	1	Incl.39-44
39	267572	Coil	1	
40	282290	Spark Plug Wire Ass'y	1	Incl.41-43
41	282292	Plug Boot	1	
42	261075	Connector	1	
43	282291	Spark Plug Wire	1	
44	261072	Cap	1	
45	261076	Woodruff Key	1	3x10

ENGINE



REF #	PART #	DESCRIPTION	Q'TY.	NOTES
46	262731	Nut,Rotor	1	M10
47	268380	Spacer	2	
48	261256	Cap Screw	2	M4x25
49	261200	Spark Plug	1	NGK BPM6Y
50	281172	Grommet	1	
51	267492	Lead	2	130L
52	264588	Clamp	1	
53	282717	Recoil Starter Ass'y	1	Incl.54-69
54	282499	Starter Ass'y	1	Incl.55-64
55	280548	Collar	1	
56	282720	Reel	1	
57	282721	Spiral Spring	1	
58	282722	Set Screw	1	
59	282723	Washer	1	
60	282724	Starter Rope Ass'y	1	Incl.61-64
61	282725	Starter Rope	1	
62	282726	Starter Grip	1	
63	282728	Cap	1	
64	282187	Stopper	1	
65	282718	Starter Pulley Ass'y	1	Incl.66-69
66	282759	E-Ring	1	
67	282729	Starter Pulley	1	
68	282730	Pawl	1	
69	282758	Return Spring	1	
70	281714	Cap Screw	4	M5x20
71	081040	Nut	1	M8
72	267191	Cap Screw	4	M5x16
73	282317	Stand	1	

CARBURETOR AND FUEL TANK



REF #	PART #	DESCRIPTION	Q'TY.	NOTES
1	282298	Carburetor Ass'y	1	Incl.2-18 New gasket required
2	283124	Pump Body	1	
3	264677	Bracket	1	
4	261878	Nut	1	
5	263994	Adapter	1	
6	261657	Packing	1	
7	263737	Screw	4	
8	264678	Washer	1	
9	263726	Cover Plate	1	
10	268501	Diaphragm, Meterring	1	
11	263727	Gasket	1	
12	262994	Diaphragm, Fuel Pump	1	
13	282576	Gasket	1	
14	283125	Main Jet	1	
15	261871	O-Ring	1	
16	261876	E-Ring	1	
17	261658	Swivel	1	
18	261875	Screw	2	
19	264807	Cap Screw	1	M5x16
20	283087	Gasket	1	
21	262720	Cap Screw	2	M5x55
22	282481	Plate	1	
23	282306	Element	1	
24	282307	Air Cleaner Cover	1	
25	281438	Knob	1	
26	261117	Clip	2	
27	282299	Pump	1	
28	282512	Fuel Pipe	1	
29	282301	Gasket	1	
30	283086	Divider	1	
31	282302	Case Ass'y	1	Incl.32-37
32	269423	Nut	1	
33	282303	Case Body	1	
34	282484	Sleeve	3	
35	282304	Valve	1	
36	282305	Lever	1	
37	269032	Screw	1	
38	283487	Fuel Tank Ass'y	1	Incl.39-50
39	261117	Clip	1	
40	282310	Fuel Tank	1	
41	269201	Fuel Tank Cap Ass'y	1	Incl.42
42	269377	Gasket	1	
43	282312	Fuel Pipe Ass'y	1	Incl.44-49
44	282313	Pipe Ass'y	1	Incl.45,46
45	268065	Grommet	1	
46	282511	Return Pipe	1	
47	262649	Fuel Pipe	1	
48	261590	Breather	1	
49	261117	Clip	1	
50	267328	Fuel Filter Ass'y	1	



Maruyama U.S., Inc.
3570 Shelby Lane
Denton, TX 76207
940-383-7400 voice
940-383-7466 fax

www.maruyama-us.com