

MARUYAMA

ILLUSTRATED PARTS LIST

BC2321

BRUSHCUTTER



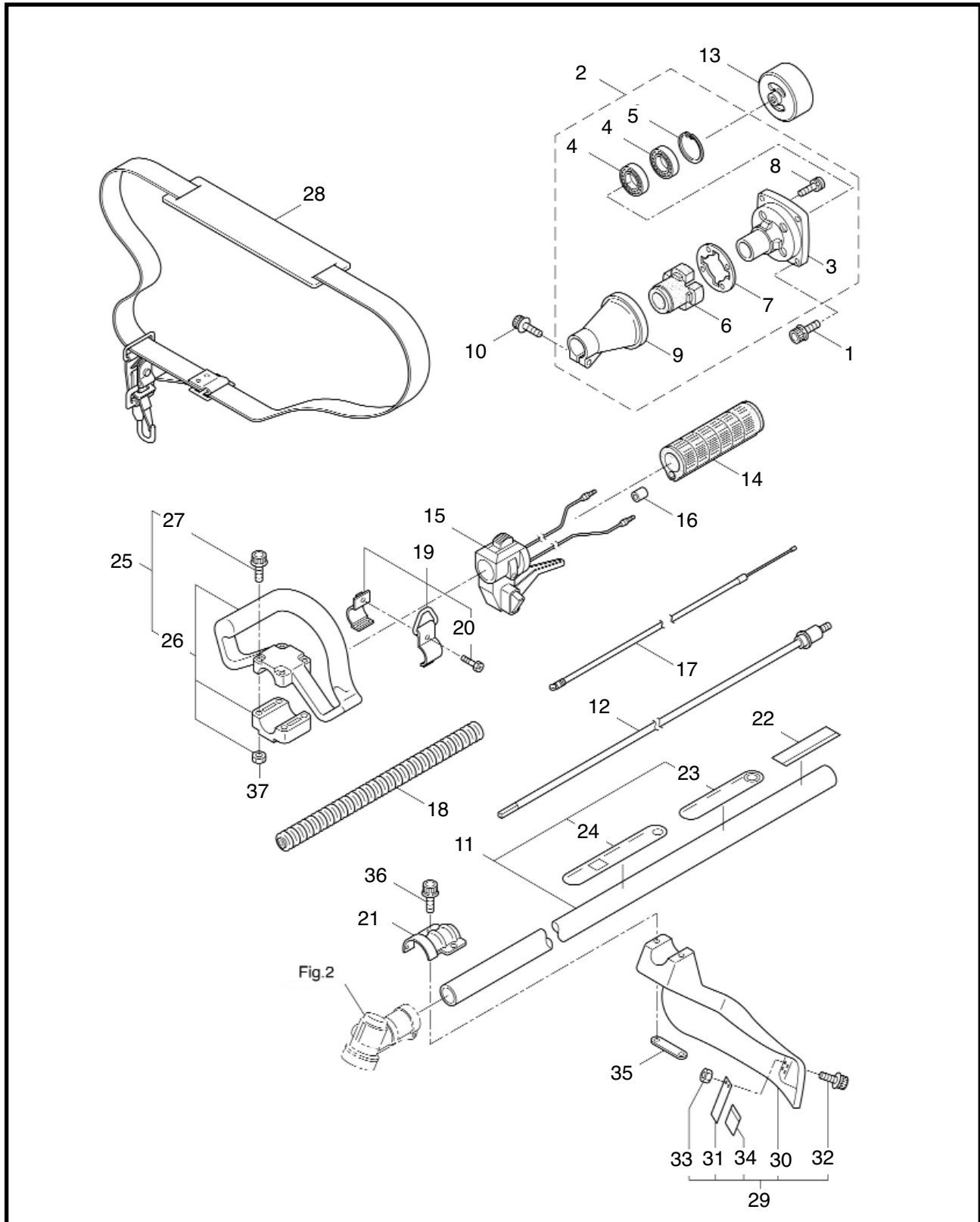
BC2321
BRUSHCUTTER
PART 845466-REV12/05



Maruyama. *E x t r a o r d i n a r y .*

2 ILLUSTRATED PARTS LIST
BC2321

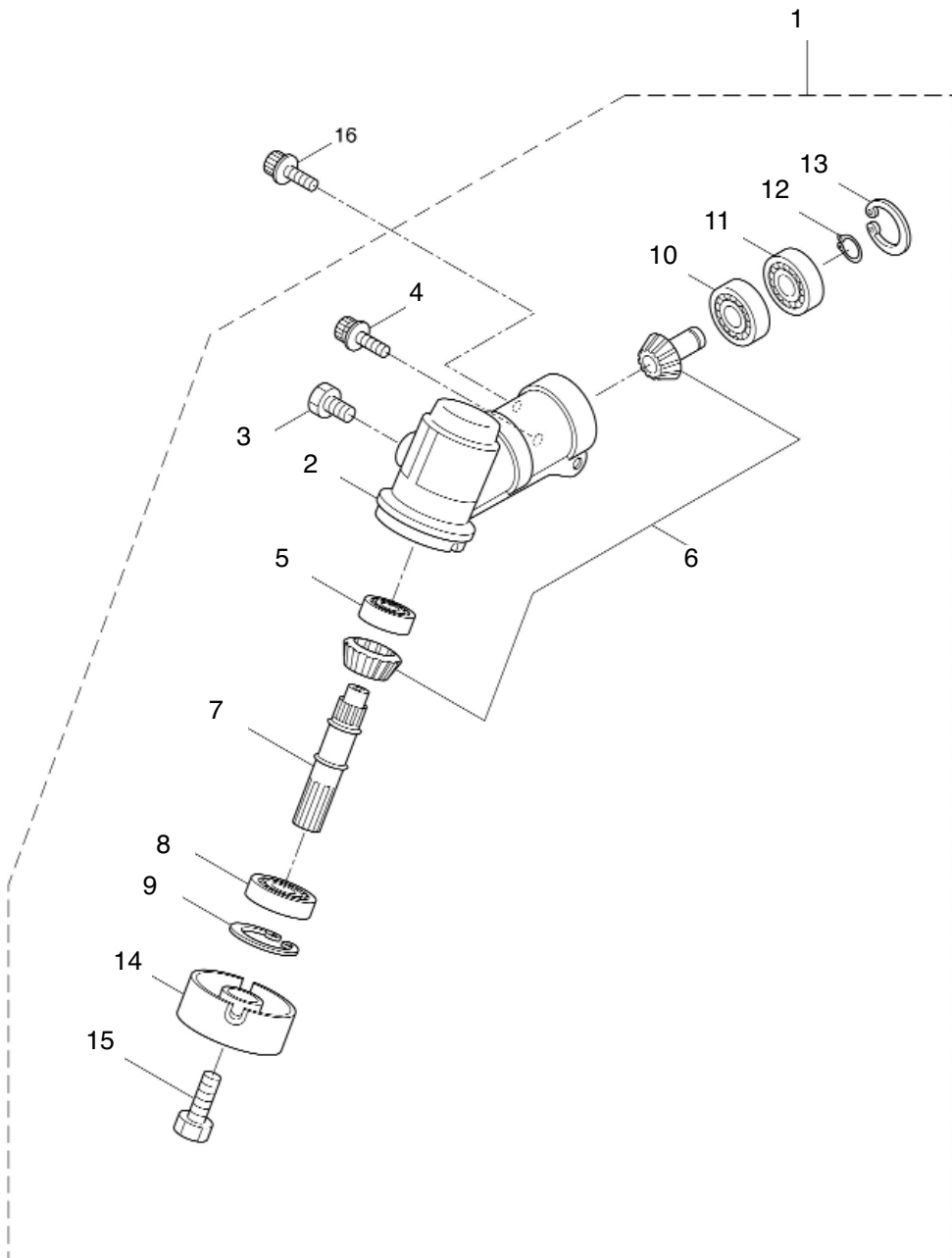
MAIN BODY



| REF # | PART # | DESCRIPTION | Q'TY. | NOTES |
|--------------|---------------|-------------------------|--------------|--------------|
| 1 | 261250 | Cap Screw | 4 | M5x20 |
| 2 | 215512 | Clutch Case Ass'y | 1 | Incl.3-9 |
| 3 | 214592 | Bearing Case | 1 | |
| 4 | 214161 | Bearing | 2 | #6000ZZ |
| 5 | 054676 | Snap Ring | 1 | #26 |
| 6 | 214162 | Buffer | 1 | |
| 7 | 214163 | Washer | 1 | |
| 8 | 092033 | Screw | 4 | M5x15 |
| 9 | 214593 | Driveshaft Tube Adapter | 1 | |
| 10 | 261246 | Cap Screw | 1 | M5x25 |
| 11 | 220078 | Driveshaft Tube Ass'y | 1 | Incl.23,24 |
| 12 | 219268 | Driveshaft Ass'y | 1 | |
| 13 | 054677 | Clutch Drum | 1 | |
| 14 | 215532 | Shaft Grip | 1 | |
| 15 | 221465 | Throttle Trigger | 1 | |
| 16 | 214083 | Outer Guide | 1 | |
| 17 | 213444 | Throttle Cable | 1 | 340L |
| 18 | 213548 | Plastic Tube | 1 | #10x200L |
| 19 | 054691 | Hanging Bracket Ass'y | 1 | Incl.20 |
| 20 | 089738 | Bolt | 1 | M5x15 |
| 21 | 225962 | Bracket | 1 | |
| 22 | 227724 | Label | 1 | BC2321 |
| 23 | 221501 | Label | 1 | Warning |
| 24 | 221502 | Label | 1 | Caution |
| 25 | 227816 | Loop Handle Ass'y | 1 | Incl. 26-27 |
| 26 | 222139 | Loop Handle | 1 | |
| 27 | 215068 | Cap Screw | 4 | M5x30x16 |
| 28 | 220533 | Hanging Strap Ass'y | 1 | |
| 29 | 226300 | Safety Cover Ass'y | 1 | Incl.31-35 |
| 30 | 225961 | Safety Cover | 1 | |
| 31 | 222900 | String Cutter | 1 | |
| 32 | 227817 | Bolt | 2 | M5x12 |
| 33 | 089846 | Nut | 2 | M5 |
| 34 | 212972 | String Cutter Cover | 1 | |
| 35 | 225963 | Threaded Bracket | 1 | |
| 36 | 261612 | Cap Screw | 2 | |
| 37 | 081027 | Nut | 1 | M5 |

4 ILLUSTRATED PARTS LIST
BC2321

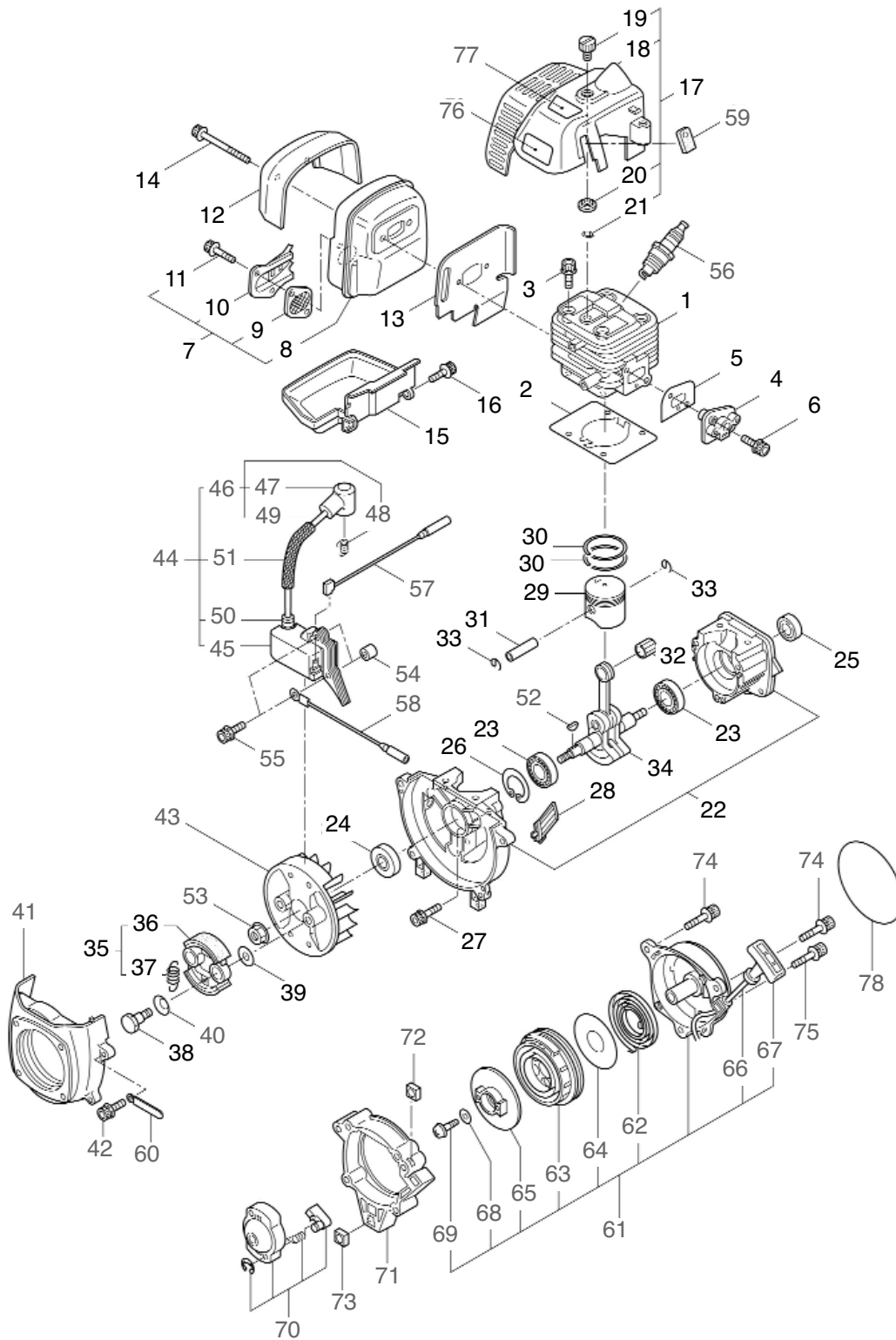
GEAR CASE



| REF # | PART # | DESCRIPTION | Q'TY. | NOTES |
|--------------|---------------|--------------------|--------------|------------------------|
| 1 | 225959 | Gearcase Ass'y | 1 | Incl.2-15 |
| 2 | 225960 | Gearcase | 1 | |
| 3 | 089884 | Bolt | 1 | M8x10 |
| 4 | 261246 | Cap Screw | 1 | M5x25 |
| 5 | 210554 | Bearing | 1 | #608 |
| 6 | 227106 | Gear Set | 1 | |
| 7 | 215762 | Blade Shaft | 1 | |
| 8 | 212999 | Bearing | 1 | #6001 2RK |
| 9 | 055185 | Snap Ring | 1 | #28 |
| 10 | 210560 | Bearing | 1 | #609 |
| 11 | 140268 | Bearing | 1 | #609Z |
| 12 | 140269 | Snap Ring | 1 | WR9 |
| 13 | 140270 | Snap Ring | 1 | #24 |
| 14 | 222890 | Adapter | 1 | |
| 15 | 221998 | Bolt | 1 | M8x12,Counterclockwise |
| 16 | 261233 | Cap Screw | 1 | M5x12 |

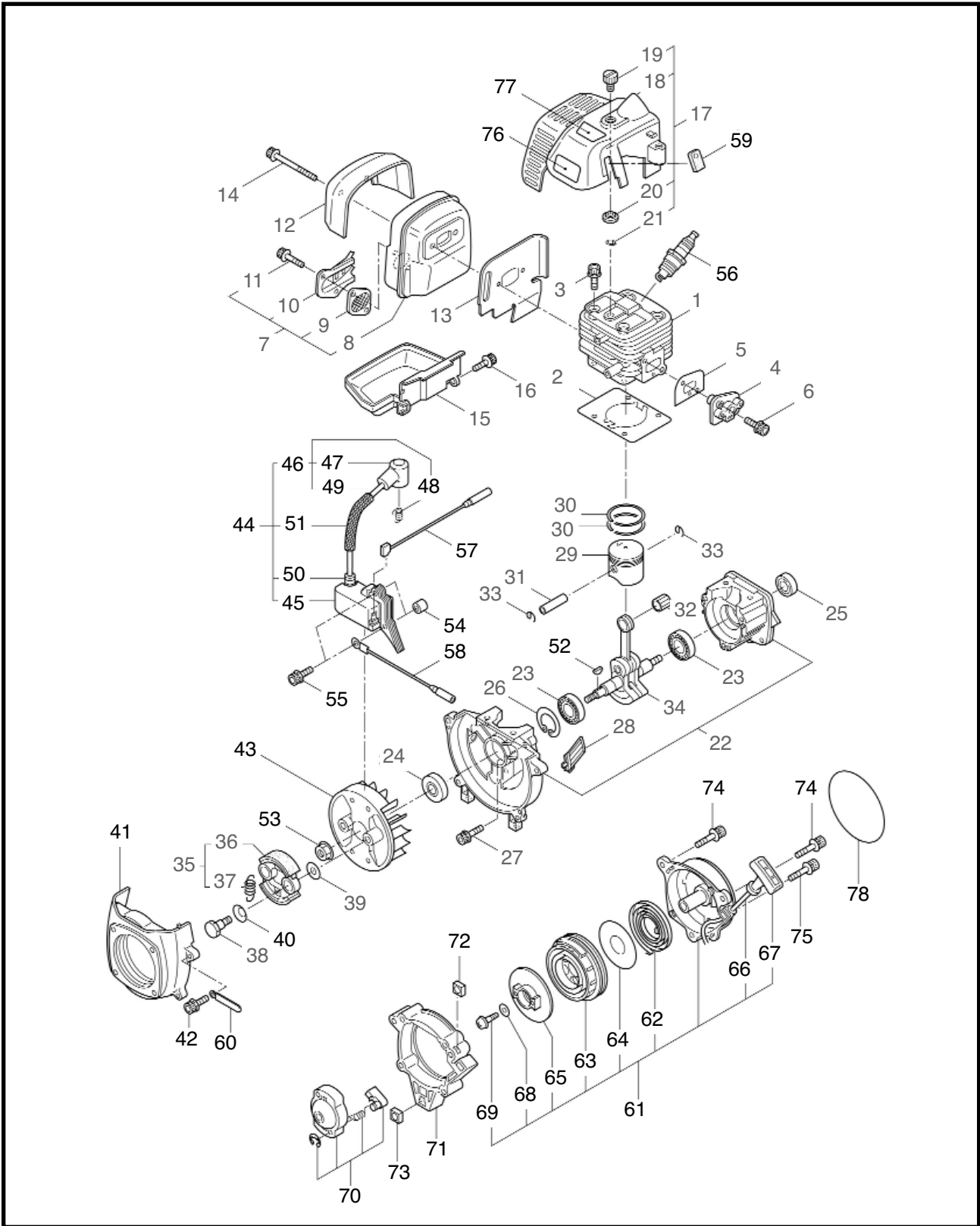
6 ILLUSTRATED PARTS LIST
BC2321

ENGINE



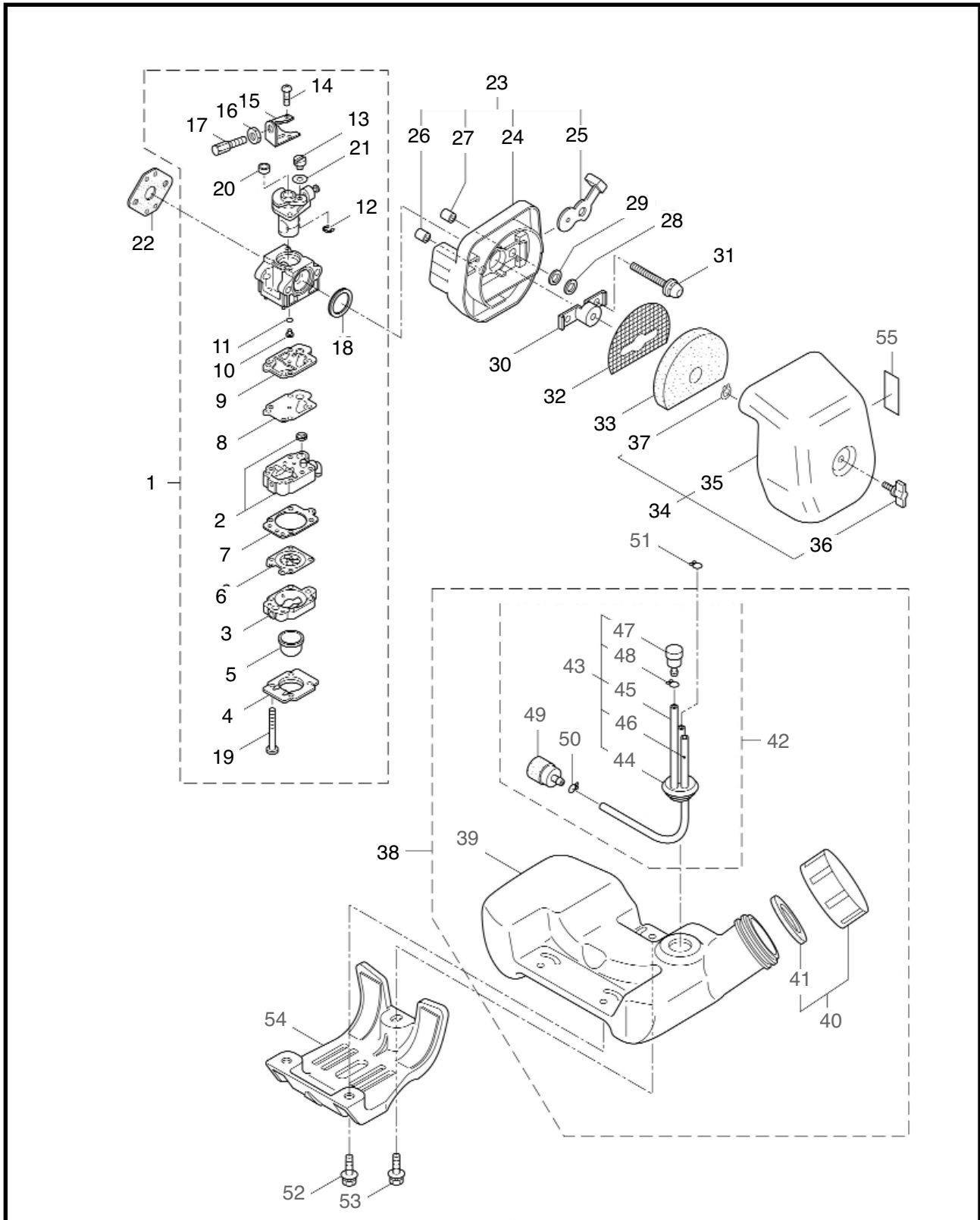
| Ref # | Part # | Description | Q'ty. | Notes |
|-------|--------|---------------------------|-------|---------------------|
| 1 | 282156 | Cylinder | 1 | |
| 2 | 282339 | Gasket | 1 | |
| 3 | 261250 | Cap Screw | 4 | M5x20 |
| 4 | 269144 | Insulator | 1 | New gasket required |
| 5 | 267049 | Gasket | 1 | |
| 6 | 265924 | Cap Screw | 2 | M5x25 |
| 7 | 282208 | Muffler Ass'y | 1 | Incl.9-11 |
| 8 | 282209 | Muffler Comp. | 1 | |
| 9 | 267056 | Spark Arrester | 1 | |
| 10 | 268171 | Muffler Tail | 1 | |
| 11 | 265107 | Cap Screw | 2 | M4x10 |
| 12 | 268461 | Holder | 1 | |
| 13 | 281440 | Gasket | 1 | |
| 14 | 266402 | Cap Screw | 2 | M5x55 |
| 15 | 281446 | Under Cover | 1 | |
| 16 | 267191 | Cap Screw | 1 | M5x16 |
| 17 | 281716 | Top Cover Ass'y | 1 | Incl.18-21 |
| 18 | 281444 | Top Cover | 1 | |
| 19 | 261018 | Knob | 1 | |
| 20 | 261020 | Spacer | 1 | |
| 21 | 261734 | Snap Ring | 1 | #5 |
| 22 | 268026 | Crankcase | 1 | |
| 23 | 280488 | Bearing | 2 | PPL6001 |
| 24 | 261492 | Oil Seal | 1 | ISCD12287 |
| 25 | 262198 | Oil Seal | 1 | ISCD12227 |
| 26 | 055185 | Snap Ring | 1 | #28 |
| 27 | 261612 | Cap Screw | 3 | M5x30 |
| 28 | 281442 | Screen | 1 | |
| 29 | 268032 | Piston | 1 | |
| 30 | 282177 | Piston Ring | 2 | |
| 31 | 261036 | Piston Pin | 1 | |
| 32 | 263957 | Bearing, Needle | 1 | KTV81112EG01 B2 |
| 33 | 261576 | Clip, Piston | 2 | |
| 34 | 268187 | Crankshaft/Conn.Rod Ass'y | 1 | |
| 35 | 268439 | Clutch Ass'y | 1 | Incl. 36-37 |
| 36 | 267342 | Clutch Shoe | 2 | |
| 37 | 267345 | Spring, Clutch | 1 | |
| 38 | 264505 | Bolt | 2 | |
| 39 | 261189 | Washer | 2 | 6x16.5xt1.2 |

ENGINE



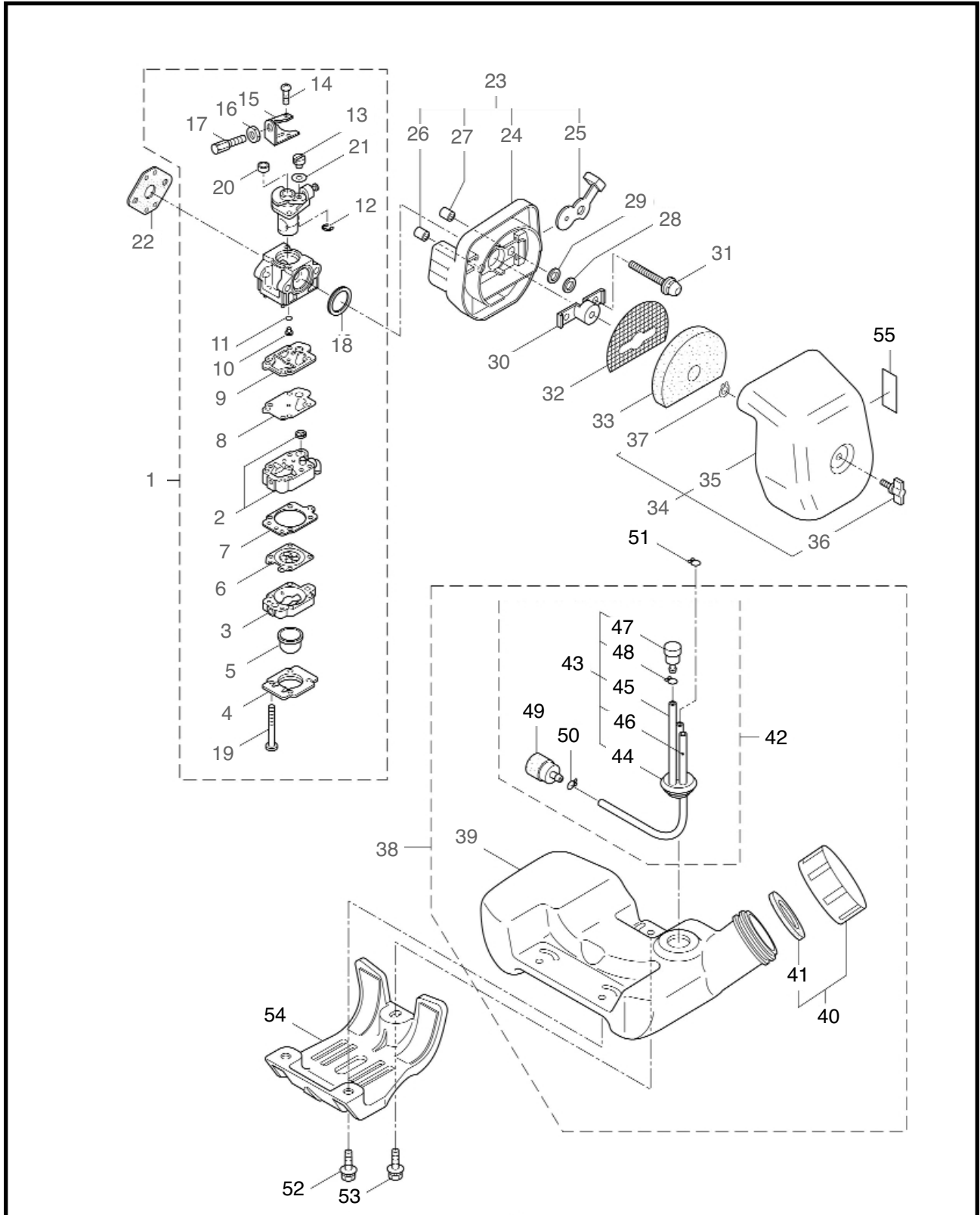
| REF # | PART # | DESCRIPTION | Q'TY. | NOTES |
|--------------|---------------|-----------------------|--------------|----------------|
| 40 | 261777 | Wave Washer | 2 | |
| 41 | 281443 | Fan Cover | 1 | |
| 42 | 261250 | Cap Screw | 4 | M5x20 |
| 43 | 268039 | Rotor/Fan | 1 | |
| 44 | 281705 | Ignition Coil Ass'y | 1 | Incl.45-51 |
| 45 | 281706 | Coil | 1 | |
| 46 | 281707 | Spark Plug Wire Ass'y | 1 | Inc. 47-51 |
| 47 | 261074 | Plug Boot | 1 | |
| 48 | 261075 | Connector | 1 | |
| 49 | 281709 | Spark Plug Wire | 1 | |
| 50 | 261072 | Cap | 1 | |
| 51 | 268584 | Insulator | 1 | 140L |
| 52 | 261076 | Woodruff Key | 1 | 3x10 |
| 53 | 261417 | Nut,Rotor | 1 | M8 |
| 54 | 268380 | Spacer | 2 | |
| 55 | 261256 | Cap Screw | 2 | M4x25 |
| 56 | 261200 | Spark Plug | 1 | NGK BPM6Y |
| 57 | 263804 | "Wire,Coil Ground" | 1 | |
| 58 | 268044 | Lead | 1 | |
| 59 | 269189 | Grommet | 1 | |
| 60 | 264588 | Clamp | 1 | |
| 61 | 280283 | Recoil Ass'y | 1 | Incl. 62-69 |
| 62 | 269495 | Recoil Spring | 1 | |
| 63 | 280113 | Spring Case Ass'y | 1 | |
| 64 | 280114 | Thrust Disk | 1 | |
| 65 | 280110 | Pulley | 1 | |
| 66 | 269499 | Rope | 1 | |
| 67 | 269500 | Starter Grip | 1 | |
| 68 | 269501 | Washer | 1 | |
| 69 | 269502 | Tapping Screw | 1 | |
| 70 | 269492 | Starter Pawl Ass'y | 1 | |
| 71 | 281534 | Adapter | 1 | |
| 72 | 280008 | Nut | 3 | M4 |
| 73 | 269423 | Nut | 1 | |
| 74 | 269273 | Cap Screw | 2 | M4x20 |
| 75 | 265726 | Cap Screw | 5 | M4x16 |
| 76 | 282341 | Label | 1 | MUS EPA CER230 |
| 77 | 282558 | Label 1 | | |
| 78 | 282340 | Label | 1 | CER230 |

CARBURETOR AND FUEL TANK



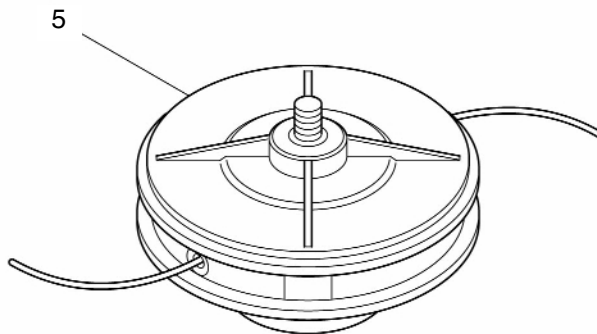
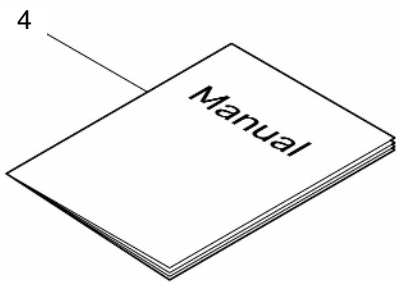
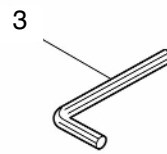
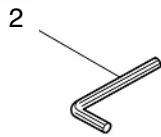
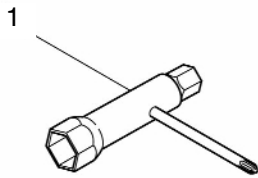
| REF # | PART # | DESCRIPTION | Q'TY. | NOTES |
|--------------|---------------|------------------------|--------------|--------------|
| 1 | 282331 | Carburetor Assy | 1 | Incl.2-21 |
| 2 | 264155 | Pump Body | 1 | |
| 3 | 262991 | Purge Body | 1 | |
| 4 | 262992 | Cover Plate | 1 | |
| 5 | 261874 | Primer Bulb | 1 | |
| 6 | 268501 | Diaphragm,Meterring | 1 | |
| 7 | 262993 | Gasket | 1 | |
| 8 | 262994 | Diaphragm,Fuel Pump | 1 | |
| 9 | 282576 | Gasket | 1 | |
| 10 | 268798 | Main Jet | 1 | |
| 11 | 261871 | O-Ring | 1 | |
| 12 | 261876 | E-Ring | 1 | |
| 13 | 261658 | Swivel | 1 | |
| 14 | 261875 | Screw | 2 | |
| 15 | 264677 | Bracket | 1 | |
| 16 | 261878 | Nut | 1 | |
| 17 | 263994 | Adapter | 1 | |
| 18 | 261657 | Packing | 1 | |
| 19 | 262996 | Screw | 4 | |
| 20 | 280730 | Cup Plug | | |
| 21 | 264678 | Washer | 1 | |
| 22 | 261864 | Gasket | 1 | |
| 23 | 268055 | Air Filter Case Ass'y | 1 | Incl.24-27 |
| 24 | 268056 | Air Filter Case | 1 | |
| 25 | 268057 | Valve | 1 | |
| 26 | 268157 | Sleeve | 1 | |
| 27 | 268412 | Sleeve | 1 | 5.5x7.1x6.6L |
| 28 | 263345 | Packing | 1 | |
| 29 | 263942 | Washer | 1 | 7.2x12xt0.15 |
| 30 | 263815 | Stay | 1 | |
| 31 | 264016 | Cap Screw | 2 | M5x60 |
| 32 | 265026 | Screen | 1 | |
| 33 | 265027 | Filter Element | 1 | |
| 34 | 268058 | Air Filter Cover Ass'y | 1 | Incl.35-37 |
| 35 | 268059 | Air Filter Cover | 1 | |
| 36 | 281438 | Knob | 1 | |
| 37 | 261734 | Snap Ring | 1 | #5 |
| 38 | 281711 | Fuel Tank Assy | 1 | Incl.39-50 |
| 39 | 281445 | Fuel Tank | 1 | |

CARBURETOR AND FUEL TANK



| REF # | PART # | DESCRIPTION | Q'TY. | NOTES |
|--------------|---------------|-------------------------|--------------|--------------|
| 40 | 269201 | Fuel Tank Cap Ass'y | 1 | Incl.31 |
| 41 | 269377 | Gasket | 1 | |
| 42 | 282334 | Fuel Pipe Pick-up Ass'y | 1 | Incl.43-50 |
| 43 | 282335 | Fuel Pipe Ass'y | 1 | Incl.44-48 |
| 44 | 268065 | Grommet | 1 | |
| 45 | 282337 | Return Pipe | 1 | |
| 46 | 282501 | Fuel Pipe | 1 | 150L |
| 47 | 261590 | Breather | 1 | |
| 48 | 261117 | Clip | 1 | |
| 49 | 264653 | Filter Ass'y | 1 | |
| 50 | 261117 | Clip | 1 | |
| 51 | 261117 | Clip | 1 | |
| 52 | 281714 | Cap Screw | 2 | M5x20 |
| 53 | 281715 | Cap Screw | 1 | M5x20 |
| 54 | 281447 | Stand | 1 | |
| 55 | 261352 | Label | 1 | Choke |

ACCESSORIES



| REF # | PART # | DESCRIPTION | Q'TY. | NOTES |
|--------------|---------------|--------------------|--------------|----------------|
| 1 | 210418 | Box Spanner | 1 | 13x19x(+) |
| 2 | 219431 | Wrench | 1 | 3mm |
| 3 | 219432 | Wrench | 1 | 4mm |
| 4 | 227829 | Instruction Manual | 1 | BC2321(MUS-CE) |
| 5 | 840466 | Semi-Auto Head (L) | 1 | |



Maruyama U.S., Inc.
3570 Shelby Lane
Denton, TX 76207
940-383-7400 voice
940-383-7466 fax

www.maruyama-us.com