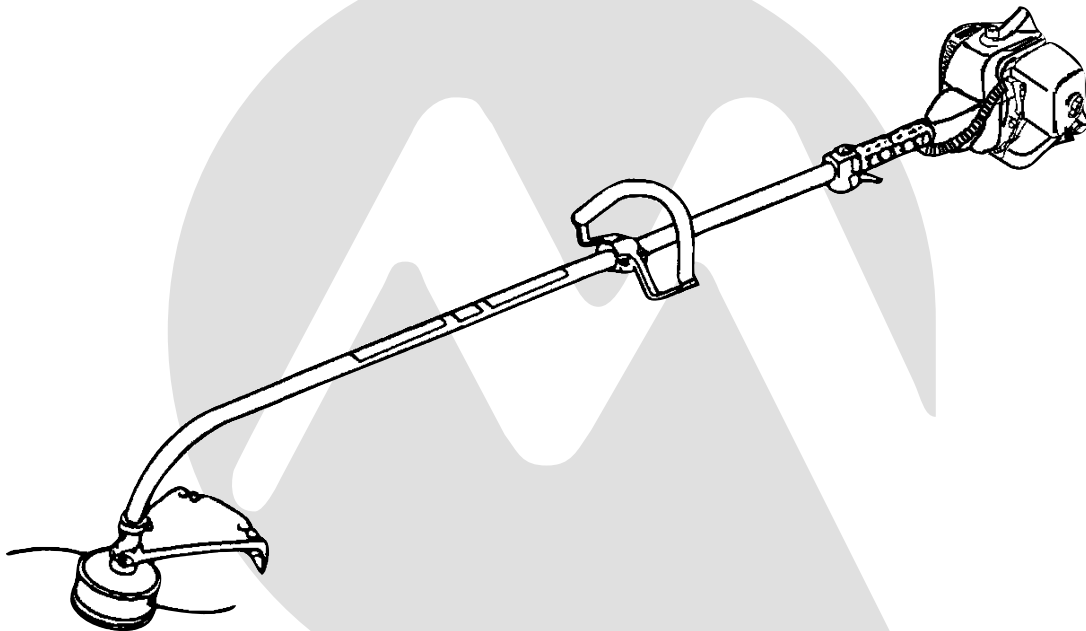


OWNER'S/ OPERATOR'S MANUAL MANUAL DEL PROPIETARIO U OPERADOR MANUEL DU PROPRIETAIRE/ DE L'UTILISATEUR

String Trimmer
Recortadora
Coupe-bordures
B23C



The **POWER** in Outdoor Power

Completely read and understand this manual PRIOR to using this product.

Lea y entienda este manual a fondo, ANTES de usar este producto.

Lisez complètement et comprenez ce manuel AVANT d'utiliser ce produit.



Limited Warranty Statement

All Maruyama products are warranted to the original purchaser to be free from defects in materials and workmanship **from the date of purchase** for the time periods listed as follows:

Lifetime for inner shaft on trimmers and brushcutters and ignition modules.

3 years for residential, non-institutional, non-income producing use.

1 year for industrial, commercial, institutional, rental and income producing use.

Maruyama AE series engines and Kawasaki TEX45/TEX54 are covered exclusively for one additional year of industrial, commercial, institutional, rental and income producing use (total of 2 years). All other engines refer to engine manufacture's warranty statement.

Any part of a Maruyama product found to be defective within the applicable warranty period shall, at Maruyama's option, be repaired or replaced without charge. Warranty consideration is obtained by delivering any Maruyama product believed to be defective to an Authorized Maruyama Servicing Dealer within the applicable warranty period.

The purchaser shall not be charged for diagnostic labor that leads to the determination that a warranted part is defective, if the diagnostic work is performed at a Maruyama Dealer.

Any warranted part which is not scheduled for replacement as required maintenance, or which is scheduled only for regular inspection to the effect of "repair or replace as necessary" shall be warranted for the warranty period. Any warranted part which is scheduled for replacement as required maintenance shall be warranted for the period of time up to the first scheduled replacement point for that part. Maruyama Mfg. Co., Inc. is liable for damages to other engine components caused by the failure of warranted part still under warranty. The purchaser is responsible for the performance of the required maintenance, as defined by Maruyama Mfg. Co., Inc. in the Owner's/Operator's Manual.

EMISSION-RELATED PARTS WARRANTY: In addition to the above warranty coverage, Maruyama Mfg. Co., Inc. will repair or replace, free of charge, for the original purchaser and each subsequent purchaser any emission-related part or parts found to be defective in material and workmanship for two (2) years from original retail delivery date. **Emission-related parts are the carburetor assembly, the ignition coil assembly, the ignition rotor and the spark plug and the fuel tank.** Any replacement part that is equivalent in performance and durability may be used in non-warranty maintenance or repairs, and shall not reduce the warranty obligations of Maruyama Mfg. Co., Inc.

This warranty does not cover the following:

1. Maintenance items (excluding defects in materials and workmanship) including hoses, spark plugs, starter rope, air and fuel filters, clutch shoes, vibration isolators, throttle cables and all cutting attachments.
2. Extra expenses including shipping and handling, travel, payment for lost time or pay and for any inconvenience and storage.
3. Alterations or modifications including aftermarket parts not authorized by Maruyama.
4. Wear, accident, abuse, neglect, misuse, negligence, improper fuels, lubricants, fuel mixtures (when applicable), or failure to operate or maintain the product in accordance with instructions approved by Maruyama.

Repair or replacement as provided under this warranty is the exclusive remedy of the consumer. Maruyama shall not be liable for any incidental or consequential damages for breach of any express or implied warranty on these products except to the extent prohibited by applicable law. Any implied warranty of merchantability or fitness for a particular purpose on these products is limited in duration to the warranty period as defined in the limited warranty statement. Maruyama reserves the right to change or improve the design of the product without notice and does not assume obligation to update previously manufactured products. This warranty provides you with specific legal rights which may vary from state to state. It is the Owner's and Dealer's responsibility to make sure the Warranty Registration Card is properly filled out and mailed to Maruyama U.S., Inc. Proof of purchase and registration will be required in order to obtain warranty service. To locate an Authorized Maruyama Servicing Dealer nearest you, contact;

Maruyama U.S., Inc.
4770 Mercantile Drive, suite 100,
Fort Worth, TX76137 U.S.A.
(940)383-7400
maruyama@maruyama-us.com
www.maruyama-us.com

- (b) As the small nonroad engine owner, you should be aware, however, that Maruyama Manufacturing Company may deny you warranty coverage if your small nonroad engine or a part has failed due to abuse, neglect, improper maintenance or unapproved modifications.
- (c) You are responsible for presenting your small nonroad engine to a Maruyama Manufacturing Company, Inc. service center as soon as a problem exists. The warranty repairs should be completed in a reasonable amount of time, not to exceed **30 days**.

If you have any questions regarding your warranty rights and responsibilities, you should contact Maruyama U.S., Inc. at **1-866-783-7400**, or **warranty@maruyama-us.com**.

COVERAGE

Maruyama Manufacturing Company, Inc. warrants to the ultimate purchaser and each subsequent purchaser that your small nonroad engine will be designed, built and equipped, at the time of sale, to meet all applicable regulations. Maruyama Manufacturing Company, Inc. also warrants to the initial purchaser and each subsequent purchaser that your small nonroad engine is free from defects in materials and workmanship which cause the engine to fail to conform with applicable regulations for a period of two years.

1997 and later model years, EPA requires manufacturers to small nonroad engines for two years. These warranty periods will begin on the date the small nonroad engine is purchased by the initial purchaser. If any emission-related part on your engine is defective, the part will be replaced by Maruyama Manufacturing Company, Inc. at no cost to the owner.

Maruyama Manufacturing Company, Inc. shall remedy warranty defects at any authorized Maruyama Manufacturing Company, Inc. engine dealer or warranty station. Any authorized work done at an authorized dealer or warranty station shall be free of charge to the owner if such work determines that a warranted part is defective. Any manufacturer-approved or equivalent replacement part may be used for any warranty maintenance or repairs on emission-related parts, and must be provided free of charge to the owner if the part is still under warranty, Maruyama Manufacturing Company, Inc. is liable for damages to other engine components caused by the failure of a warranted part still under warranty.

EPA's regulations do not include a parts list, but EPA considers emission-related warranted parts to include all the parts listed below. These warranted parts are: **the carburetor assembly, the ignition coil assembly, the ignition rotor, the spark plug and the fuel tank.**

MAINTENANCE REQUIREMENTS

The owner is responsible for the performance of the required maintenance as defined by the Maruyama Manufacturing Company, Inc. in the owner's/ operator's manual.

LIMITATIONS

This Emission Control System Warranty shall not cover any of the following:

- (a) repair or replacement required because of misuse or neglect, lack of required maintenance, repairs improperly performed or replacements not conforming to Maruyama Manufacturing Company, Inc. specifications that adversely affect performance and/or durability, and alterations or modifications not recommended or approved in writing by Maruyama Manufacturing Company, Inc., and

- (b) replacement of parts and other services and adjustments necessary for required maintenance at and after the first scheduled replacement point.

CALIFORNIA EMISSION CONTROL WARRANTY STATEMENT YOUR WARRANTY RIGHTS AND OBLIGATIONS

The California Air Resources Board (CARB), and Maruyama Manufacturing Company, Inc. are pleased to explain the emission control system warranty on your 2013 small off-road engine. In California, new small off-road engines must be designed, built and equipped to meet the State's stringent anti-smog standards. Maruyama Manufacturing Company, Inc. must warrant the emission control system on your small off-road engine for the period of time listed above provided there has been no abuse, neglect or improper maintenance of your small off-road engine.

Your emission control system may include parts such as the carburetor or fuel injection system, the ignition system, fuel tank and catalytic converter. Also included may be hoses, belts, and connectors and other emission related assemblies.

Where a warrantable condition exists, Maruyama Manufacturing Company, Inc. will repair your small off-road engine at no cost to you, including diagnosis, parts, and labor.

MANUFACTURER'S WARRANTY COVERAGE:

The 1995 and later small off-road engines are warranted for two years. If any emission-related part on your engine is defective, the part will be repaired or replaced by Maruyama Manufacturing Company, Inc.

OWNER'S WARRANTY RESPONSIBILITIES:

- (a) As the small off-road engine owner, you are responsible for the performance of the required maintenance listed in your owner's/ operator's manual.
Maruyama Manufacturing Company, Inc. recommends that you retain all receipts covering maintenance on your small off-road engine, but Maruyama Manufacturing Company, Inc. cannot deny warranty solely for the lack of receipts or for your failure to ensure the performance of all scheduled maintenance
- (b) As the small off-road engine owner, you should be aware, however, that Maruyama Manufacturing Company may deny you warranty coverage if your small off-road engine or a part has failed due to abuse, neglect, improper maintenance or unapproved modifications.
- (c) You are responsible for presenting your small off-road engine to a Maruyama Manufacturing Company, Inc. distribution center as soon as a problem exists. The warranty repairs should be completed in a reasonable amount of time, not to exceed 30 days.

If you have any questions regarding your warranty rights and responsibilities, you should contact Maruyama U.S., Inc. at **1-866-783-7400**, or **warranty@maruyama-us.com**.

Emission System Parts

Exhaust Emission
Carburetor
Muffler
Catalytic Converter
Ignition Coil / Magneto
Spark Plug
Air Filter
EGR Valve (piston)
Fuel Filter

Evaporative Emission
Fuel Tank

Contents

	Page US-
Limited Warranty Statement	1
Federal Emission Control	2
California Emission Control	4
Contents	5
Introduction.....	5
Safety	6
Operator Safety.....	6
Trimmer Safety	6
Fuel Safety	7
Trimmer Operating Safety	7
Safety and Instruction Decals	8
Product Discription	8
Assembly.....	9
Assembling Engine and Driveshaft Assembly	9
Loop Handle Installation	9
Connecting Stop Switch wires.....	9
Installing Debris Shield	10
Installing Trimmer Head	11
Before Operation.....	11
Oil and Fuel	11
Mixing Gasoline And Oil	12
Starting And Stopping	13
Operation	14
Operating Position	14
Cutting with Trimmer Head	15
Maintenance	16
Idle Speed Adjustment	16
Air Filter	17
Fuel Filter	17
Spark Plug	18
Cylinder Cooling Fins	18
Spark Arrester.....	18
Exhaust Muffler.....	19
Driveshaft.....	19
General Cleaning and Tightening	19
Storage.....	20
Troubleshooting	21
Specifications	21
Maintenance Period	21

Introduction

Thank you for purchasing a MARUYAMA product.

Maruyama, it's distributors, and dealers want you to be completely satisfied with your new product. Please feel free to contact your local Authorized Service Dealer for help with service, genuine Maruyama parts, or other information you may require.

Whenever you contact your Authorized Service Dealer or the factory, always know the serial number of your product. This number will help the Service Dealer or Service Representative provide exact information about your specific product. You will find the model and serial number located in a unique place on the product (Product Description on page US-8).

For your convenience, write the product model name and serial number in the space below.

<p>Model Name _____</p> <p>Serial No. _____</p>
--

Read this manual carefully to learn how to operate and maintain your product correctly. Reading this manual will help you and others avoid personal injury and damage to the product.

Although MARUYAMA designs, produces and markets safe, state of the art products, you are responsible for using the product properly and safely. (You are also responsible for training persons who you allow to use the product about safe operation.)

The MARUYAMA warning system in this manual identifies potential hazards and has special safety messages that help you and others avoid personal injury, even death.

DANGER, WARNING and CAUTION are signal words used to identify the level of hazard. However, regardless of the hazard, be extremely careful.

DANGER signals an extreme hazard that will cause serious injury or death if the recommended precautions are not followed.

WARNING signals a hazard that may cause serious injury or death if the recommended precautions are not followed.

CAUTION signals a hazard that may cause minor or moderate injury if the recommended precautions are not followed. Two other words are also used to high-light information.

“Important” calls attention to special mechanical information and “Note” emphasizes general information worthy of special attention.

Safety

Operator Safety

1. Read and understand this Owner's/ Operator's Manual before using this product. Be thoroughly familiar with the proper use of this product.
2. Never allow children to operate the Trimmer. It is not a toy. Never allow adults to operate the unit without first reading the Owner's/ Operator's Manual.
3. Always wear eye protection that complies with ANSI (American National Standards Institute) Z87-1.



4. Always wear hearing protection.



5. Always wear heavy, long pants, a long sleeved shirt, boots and gloves. Do not wear loose clothing, jewelry, short pants, sandals, or go barefoot. Secure hair so it is above shoulder length.
6. Never operate this Trimmer when you are tired, ill, or under the influence of alcohol, drugs or medication.
7. Never start or run the engine inside a closed room or building. Breathing exhaust fumes can cause death.



8. Keep handles clean of oil, fuel and dirt.

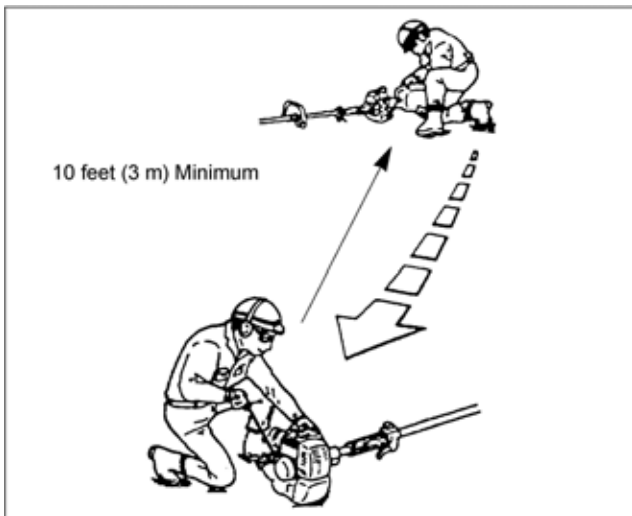
Trimmer Safety

1. Make sure the Trimmer is assembled correctly and that the tool attachment is correctly installed and securely fastened as instructed in the Assembly section.
2. Inspect the Trimmer before each use. Replace damaged parts. Check for fuel leaks. Make sure all fasteners are in place and tightened securely. Follow the maintenance instructions beginning on page US-16.
3. Make sure the cutting head does not rotate at engine idle speed. Refer to Idle Speed Adjustment, page US-16.
4. Inspect the cutting head and replace any parts that are cracked, chipped or damaged before using the Trimmer.
5. Make sure the shields is installed and positioned correctly before using the Trimmer.
6. Never use a cutting head or replacement parts that are not approved by MARUYAMA.
7. Maintain the Trimmer according to the recommended maintenance intervals and procedures in the Maintenance section on page US-16.
8. Shut off the engine and be certain the cutting head has completely stopped rotating before checking, inverting the Trimmer, performing maintenance on or working on the Trimmer.
9. If running problems or excessive vibration occur, stop immediately and inspect the unit for the cause.

If the cause cannot be determined or is beyond your ability to correct, return the Trimmer with tool attachment to your servicing dealer for repair.

Fuel Safety

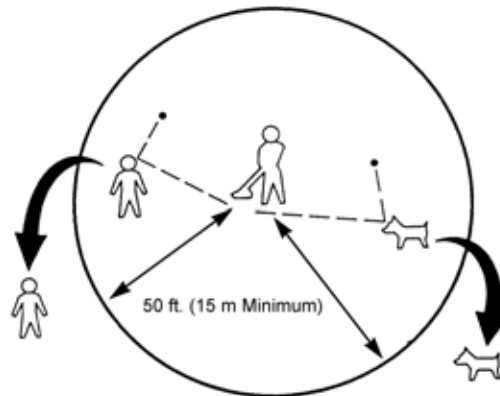
1. Gasoline is highly flammable and must be handled and stored carefully. Use a container approved for fuel to store gasoline and/or fuel/oil mixture.
2. Mix and pour fuel outdoors, where there are no sparks or flames.
3. Do not smoke near fuel or Trimmer, or while using the Trimmer.
4. Do not overfill the fuel tank. Stop filling 1/4-1/2 inch (6 mm-13 mm) from the top of the tank.
5. Wipe up any spilled fuel before starting the engine.
6. Move the Trimmer at least 10 feet (3 m) away from the fueling location before starting the engine.



7. Do not remove the fuel tank cap while the engine is running, or right after stopping the engine.
8. Allow the engine to cool before refueling.
9. Drain the tank and run the engine dry before storing the unit.
10. Store fuel and Trimmer away from open flame, sparks and excessive heat. Make sure fuel vapors cannot reach sparks or open flames from water heaters, furnaces, electric motors, etc.

Trimmer Operating Safety

1. THIS TRIMMER CAN CAUSE SERIOUS INJURIES. Read the instructions carefully. Be familiar with all controls and the proper use of the Trimmer.
2. Make sure the ϕ 3.5mm pin has been removed from the gearcase and boss adapter before you start the engine.
3. Avoid using the trimmer near rocks, gravel, stones and similar material which can become dangerous projectiles.
4. Inspect your work area before you begin. Remove objects such as broken glass, nails, wire and rocks which can become dangerous projectiles if thrown by the Trimmer. Remove string, rope or similar materials which can become entangled in the cutting head.
5. Keep children, bystanders and animals outside a 50 ft. (15 m) radius from the operator and Trimmer.



6. If you are approached while operating the Trimmer, stop the engine and cutting head rotation.
7. Never allow children to operate the Trimmer.
8. Use the Trimmer only in daylight or good artificial light.
9. Never operate the Trimmer without proper guards or other protective safety devices in place.
10. Always keep the Trimmer on the right side of your body.
11. Do not raise the cutting head above waist level.

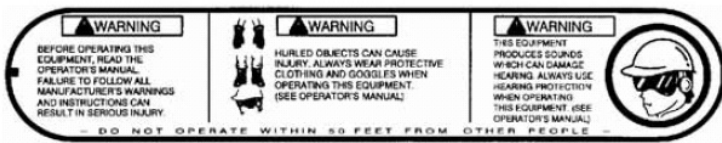
12. Do not put hands or feet near or under any rotating parts. Keep clear at all times. Keep all parts of your body away from the rotating cutting attachment and hot surfaces such as the muffler.

13. Keep firm footing and balance. Do not overreach.

14. Use the right tool for the job. Do not use the Trimmer for any job that is not recommended by Maruyama.

Safety and Instruction Decals

Safety decals and instructions are easily visible to the operator and are located near any area of potential danger. Replace any decal that is damaged or lost.

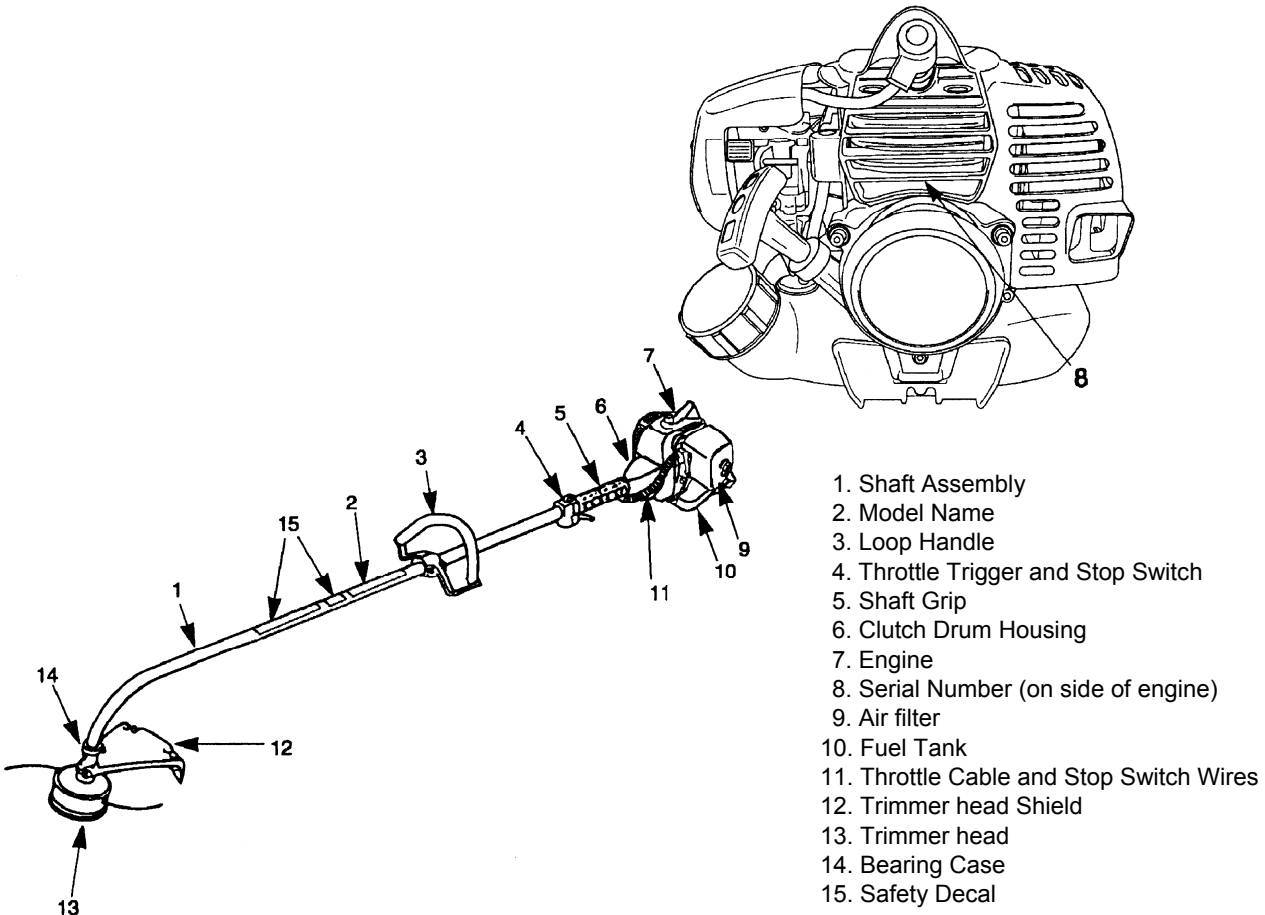


ON SHAFT (Part No.221501)

**Lubricate drive-
shaft each 30
hours of use.**

ON SHAFT
(Part No.223926)

Product description

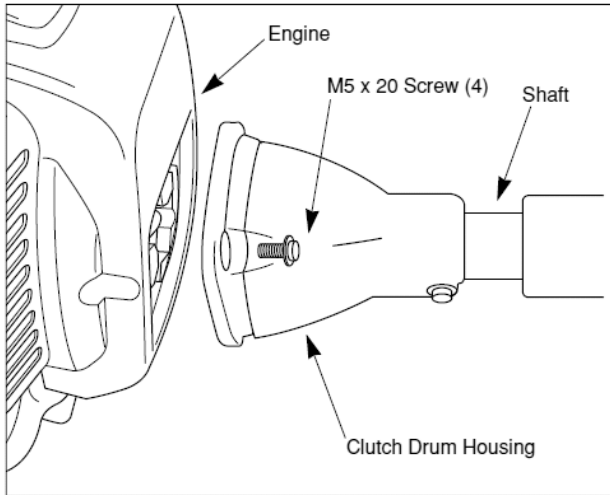


1. Shaft Assembly
2. Model Name
3. Loop Handle
4. Throttle Trigger and Stop Switch
5. Shaft Grip
6. Clutch Drum Housing
7. Engine
8. Serial Number (on side of engine)
9. Air filter
10. Fuel Tank
11. Throttle Cable and Stop Switch Wires
12. Trimmer head Shield
13. Trimmer head
14. Bearing Case
15. Safety Decal

Assembly

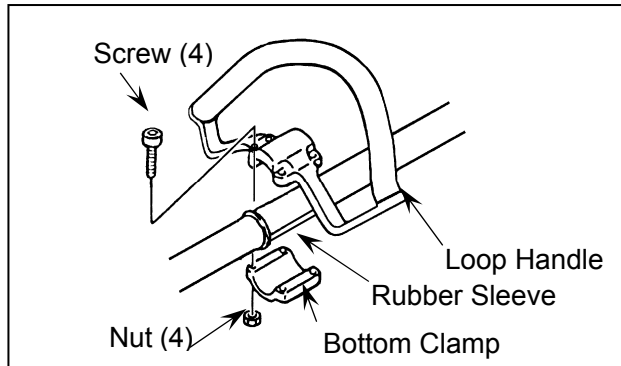
Assembling Engine and Driveshaft Assembly

The driveshaft, clutch drum housing and gearcase are assembled. Attach the clutch drum housing to the engine using the four M5 x 20 screws supplied with the unit.



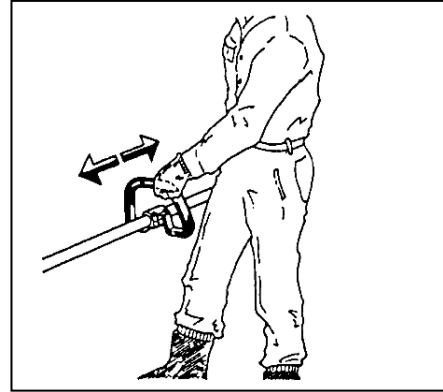
Loop Handle Installation

The loop handle kit contains a package of four screws and nuts, a rubber sleeve and the bottom clamp for the loop handle.



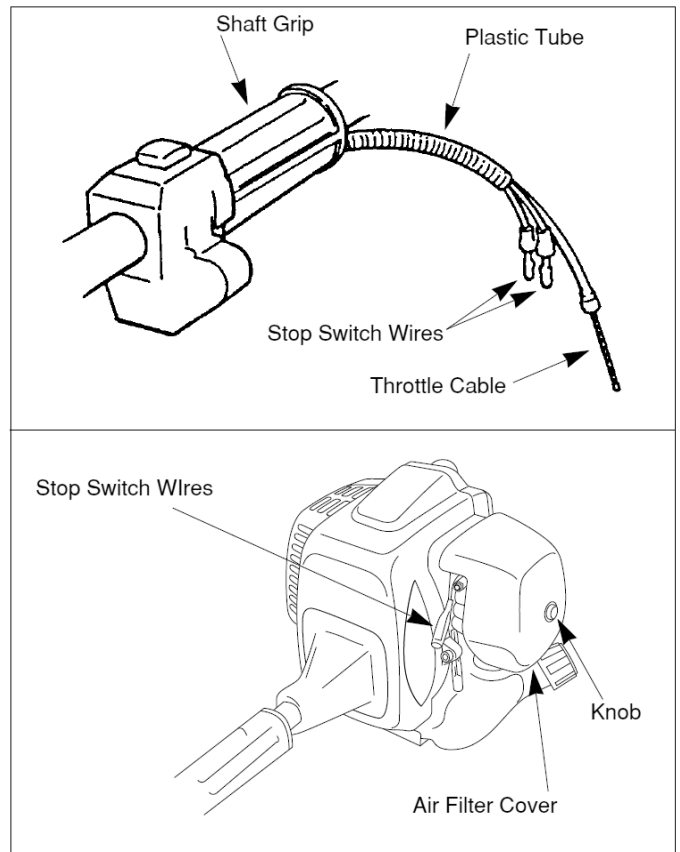
1. Slip the rubber sleeve around the shaft approximately 9 inches (22.8cm) from the end of the stop switch/throttle trigger assembly.
2. Rotate the rubber sleeve so the split is to one side.
3. Place the loop handle and the bottom clamp over the rubber sleeve.

4. Install the four screws and nuts. Leave the screws fingertight.
5. Reposition the loop handle up or down the driveshaft to the most comfortable position, but no closer than 9 inches (22.8 cm) from the end of the stop switch.



6. Tighten the screws and nuts.

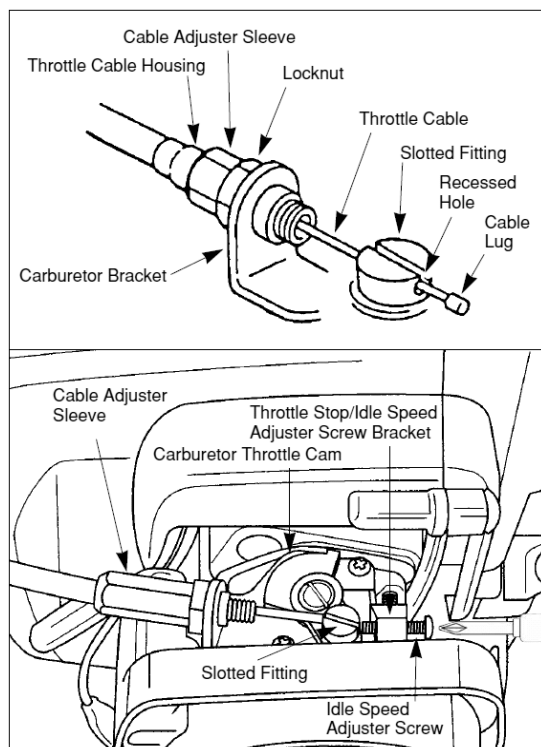
Connecting Stop Switch Wires



1. Install the plastic tube (packed with the driveshaft assembly) around the throttle cable and stop switch wires.
2. Plug the stop switch wires into the matching connectors from the engine. Note that wire polarity is not important.

Connecting Throttle Cable

1. Loosen the knob and remove the air filter cover, insert the throttle cable through the cable adjuster sleeve on the carburetor bracket. Make sure the end of the cable housing is seated positively in the sleeve.



2. Position the slotted fitting on the carburetor so the recessed hole for the cable lug is away from the cable adjuster sleeve.
3. Rotate the carburetor throttle cam clockwise and slip the throttle cable through the slot in the slotted fitting, making sure the cable lug drops into the recessed hole.
4. Operate the throttle trigger a few times to make sure that it works correctly.
5. Adjust the cable adjuster sleeve so the stop on the carburetor throttle cam just contacts the throttle stop when the throttle trigger is fully depressed.

6. When the throttle cable is adjusted correctly, tighten the locknut.
7. Reinstall the air filter cover and tighten the knob.

Installing Debris Shield

⚠ WARNING

POTENTIAL HAZARD

- Foreign objects can be thrown by String Trimmer.
- WHAT CAN HAPPEN**
- Contact with thrown objects can cause personal injury.

HOW TO AVOID THE HAZARD

- Never operate the String Trimmer without the trimmer head shield in place.

⚠ CAUTION

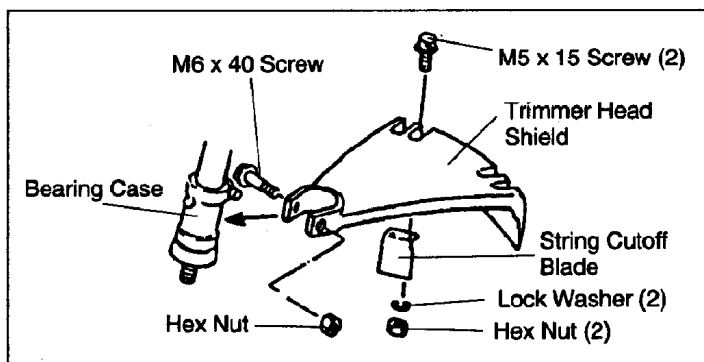
POTENTIAL HAZARD

- The String cutoff blade is sharp.
- WHAT CAN HAPPEN**
- Contact with cutoff blade can cause serious cuts or personal injury.

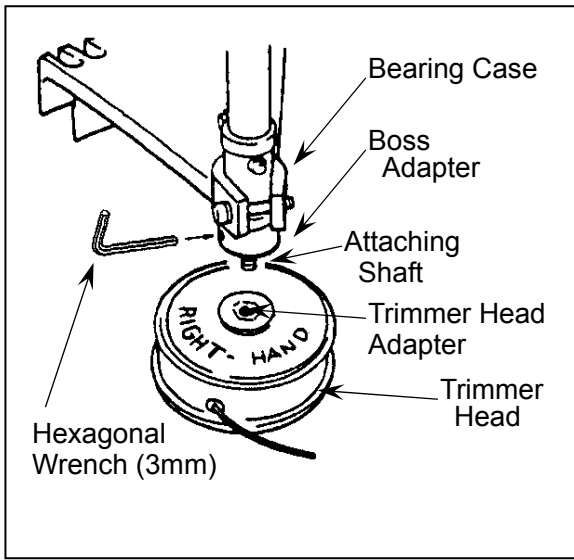
HOW TO AVOID THE HAZARD

- Keep hands, feet and clothing away from cutoff blade.

1. Fasten the string cutoff blade to the debris shield with two M5x15 screws, hex nuts and lock washers as shown.
2. Push the debris shield onto the bearing case. Install the M6x40 screw and nut. Tighten **ONLY AS NEEDED**



Installing Trimmer Head



1. Align the hole in the boss adapter with the guide slot in the bearing case.
2. Insert the hexagonal wrench (3mm) into the hole and guide slot in the boss adapter and bearing case to lock the attaching shaft.
3. Thread the trimmer head adapter onto the attaching shaft, then tighten the trimmer head firmly by hand.

⚠ WARNING

POTENTIAL HAZARD

- If the Trimmer Head is not adequately tightened, it can come loose from the String Trimmer during use.

WHAT CAN HAPPEN

- This may cause damage to property or personal injury.

HOW TO AVOID THE HAZARD

- Make sure the trimmer head is securely fastened to the attaching shaft in the gearcase.

Before Operation

Oil and Fuel

⚠ DANGER

POTENTIAL HAZARD

- In certain conditions gasoline is extremely flammable and highly explosive.

WHAT CAN HAPPEN

- A fire or explosion from gasoline can burn you, others and cause property damage.

HOW TO AVOID THE HAZARD

- Use a funnel and fill the fuel tank outdoors, in an open area, when the engine is cold. Wipe up any gasoline that spills.
- Do not fill the fuel tank completely full. Add gasoline to the fuel tank until the level is 1/4" to 1/2" (6 mm to 13mm) below the bottom of the filler neck. This empty space in the tank allows gasoline to expand.
- Never smoke when handling gasoline, and stay away from an open flame or where gasoline fume may be ignited by a spark.
- Store gasoline in an approved container and keep it out of the reach of children.
- Never buy more than a 30-day supply of gasoline.

1. Do not smoke near fuel.
2. Mix and pour fuel outdoors and where there are no sparks or flames.

⚠ WARNING

POTENTIAL HAZARD

- Gasoline contains gasses that can build up pressure inside a gas tank.

WHAT CAN HAPPEN

- Fuel can be sprayed on you when removing gas cap.

HOW TO AVOID THE HAZARD

- Remove fuel cap slowly to avoid injury from fuel spray.

3. Always shut off the engine before refueling. Never remove the fuel tank cap while the engine is running or right after just stopping the engine.
4. Always open the fuel tank cap slowly to release any possible overpressure inside the tank.
5. Do not overfill the fuel tank. Stop filling 1/4-1/2 inch (6 mm-13 mm) from the top of the tank.
6. Tighten the tank fuel cap carefully but firmly after refilling.
7. Wipe up any spilled fuel before starting the engine.
8. Move the unit at least 10 feet (3 m) away from the fueling location and fuel storage container before starting the engine.

Recommended Oil Type

Only use a two-cycle engine oil formulated for use in high performance, air cooled two cycle engines. MARUYAMA brand 2-cycle oil is formulated for use in high performance, air cooled two-cycle engines.

IMPORTANT: Do not use National Marine Manufacturer's Association (NMMA) or BIA certified oils. This type of 2-cycle engine oil does not have the proper additives for air cooled, 2-cycle engines and can cause engine damage.

Do not use automotive motor oil. This type of oil does not have the proper additives for air cooled, 2-cycle engines and can cause engine damage.

Recommended Fuel Type

Use clean, fresh lead-free gasoline, including *oxygenated* or *reformulated* gasoline, with an octane rating of 85 or higher. To ensure freshness, purchase only the quantity of gasoline that can be used in 30 days. Use of lead-free gasoline results in fewer combustion chamber deposits and longer spark plug life. Use of premium grade fuel is not necessary or recommended.

Use Of Fuel Additives

IMPORTANT: NEVER USE ALCOHOL, GASOHOL CONTAINING MORE THAN 10% ALCOHOL BECAUSE ENGINE FUEL SYSTEM DAMAGE COULD RESULT. DO NOT USE FUEL ADDITIVES OTHER

THAN THOSE MANUFACTURED FOR FUEL STABILIZATION DURING STORAGE SUCH AS MARUYAMA'S STABILIZER/ CONDITIONER OR A SIMILAR PRODUCT.

MARUYAMA'S STABILIZER/CONDITIONER IS A PETROLEUM DISTILLATE BASED CONDITIONER/STABILIZER. MARUYAMA DOES NOT RECOMMEND STABILIZERS WITH AN ALCOHOL BASE SUCH AS ETHANOL, METHANOL OR ISOPROPYL. ADDITIVES SHOULD NOT BE USED TO TRY TO ENHANCE THE POWER OR PERFORMANCE OF MACHINE.

Mixing Gasoline And Oil

IMPORTANT: The engine used on this Trimmer is of a 2-cycle design. The internal moving parts of the engine, i.e., crankshaft bearings, piston pin bearings and piston to cylinder wall contact surfaces, require oil mixed with the gasoline for lubrication.

Failure to add oil to the gasoline or failure to mix oil with the gasoline at the appropriate ratio will cause major engine damage which will void your warranty.

For your fuel premix, use Maruyama Premium 2-cycle Oil Mix, or equivalent ISO-L-EGD & JASO FD oil with a minimum 89 octane high Quality gasoline. Maruyama 2-cycle oil is specially formulated to meet the requirements of high-performance, low-emission air-cooled 2-cycle engines. Use of other oils may lead to service issues which may Not be covered by your warranty.

Fuel Mixture

The fuel: oil ratio is 50 parts gasoline to 1 part oil or 50:1.



Note: Never use a mixing ratio less than 50:1 regardless of the oil package mixing instructions. Ratios less than 50:1, (for example, 60:1, 80:1, 100:1), reduce the amount of lubrication to the internal moving parts of the engine and can cause damage.

Fuel Mixture Chart

Gasoline	50:1 2-cycle oil
1 gallon	2.6 oz.
2 gallons	5.1 oz.
5 gallons	12.8 oz.
1 liter	20 ml
5 liter	100 ml

Mixing Instructions

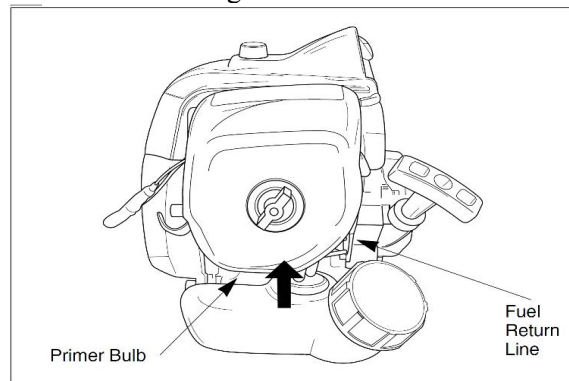
IMPORTANT: Never mix gasoline and oil directly in the Trimmer fuel tank.

1. Always mix fuel and oil in a clean container approved for gasoline.
2. Mark the container to identify it as fuel mix for the Trimmer.
3. Use regular unleaded gasoline and fill the container with half the required amount of gasoline.
4. Pour the correct amount of oil into the container then add the remaining amount of gasoline.
5. Close the container tightly and shake it momentarily to evenly mix the oil and the gasoline before filling the fuel tank on the Trimmer.
6. When refilling the Trimmer fuel tank, clean around the fuel tank cap to prevent dirt and debris from entering the tank during cap removal.
7. Always shake the premix fuel container momentarily before filling the fuel tank.
8. Always use a spout or funnel when fueling to reduce fuel spillage.
9. Fill the tank only to within 1/4-1/2 inch (6 mm-13 mm) from the top of the tank. Avoid filling to the top of the tank filler neck.

Starting And Stopping

Before Starting The Engine

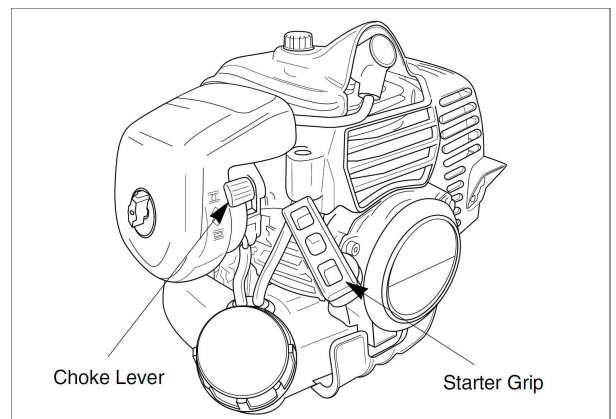
1. Fill the fuel tank as instructed in the Before Operation section of this manual (page US-11).
2. Rest the Trimmer on the ground.
3. Make sure the cutting attachment is clear of any broken glass, nails, wire, rocks or other debris.
4. Keep all bystanders, children and animals away from the working area.



Cold Starting Procedure

This Trimmer is equipped with a fuel primer and a choke system. To start a “cold” engine properly, perform the following procedure:

1. Pump the primer bulb at the bottom of the carburetor until fuel can be seen flowing through the fuel return line to the fuel tank. (Flowing fuel should be almost clear, not foamy or full of bubbles.)
2. Move the choke lever to the closed (|+) position and move the stop switch to the “ON” position.
3. Lock the throttle trigger in the fast-idle start position, then pull the starter grip.



⚠ CAUTION

- Do not pull the Starter rope all the way out.

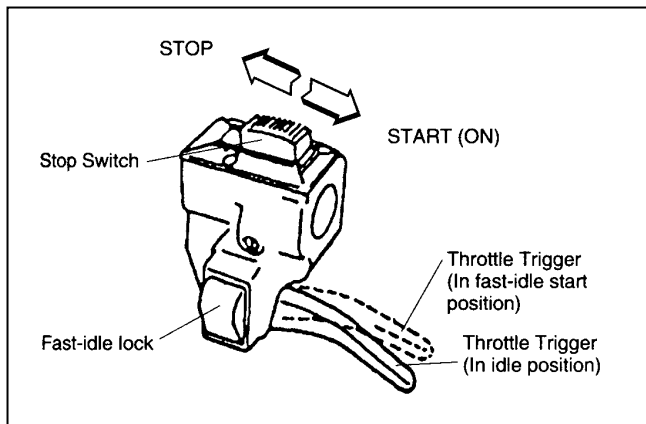
⚠ WARNING

- Do not disassemble the Starter.
Please ask for an authorized **MARUYAMA** service dealer.

After the engine starts, squeeze and release the throttle trigger to return it to the idle position, then move the choke lever to the open (I+I) position.

If the engine stops running before you move the choke lever to the open (I+I) position:

Go ahead and open the choke, pull the starter grip with the throttle trigger positioned at Fast-idle position.



Hot Restart

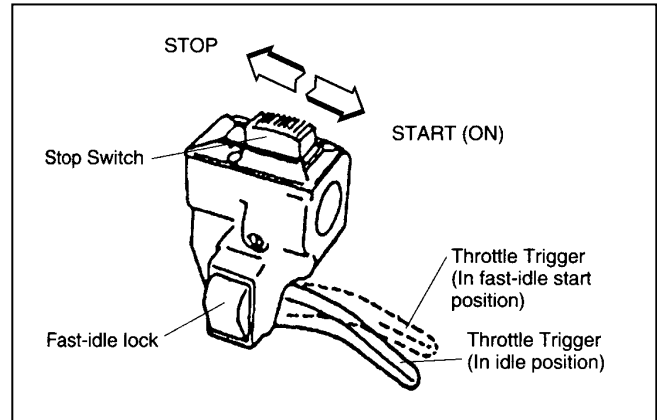
To start an engine that is already warmed up (hot restart), or if the ambient temperature exceeds 68°F (20°C):

1. Pump the primer bulb at the bottom of the carburetor until fuel can be seen flowing through the fuel return line to the fuel tank.
2. Move the choke lever to the open (I+I) position and move the stop switch to the “ON” position.
3. Leave the throttle trigger in the idle position and pull the starter grip.
4. If the engine fails to start after three to four pulls, follow the instruction in the Cold Starting Procedure section (this page).

If the engine fails to start after you follow the above procedures, contact an authorized **MARUYAMA** dealer.

To Stop The Engine:

1. Release the throttle trigger.
2. Slide the stop switch to the “STOP” position.



Operation

⚠ WARNING

POTENTIAL HAZARD

• Foreign objects can be thrown by String Trimmer.
WHAT CAN HAPPEN

• Contact with thrown objects can cause personal injury.

HOW TO AVOID THE HAZARD

• Never operate the String Trimmer without the guard.

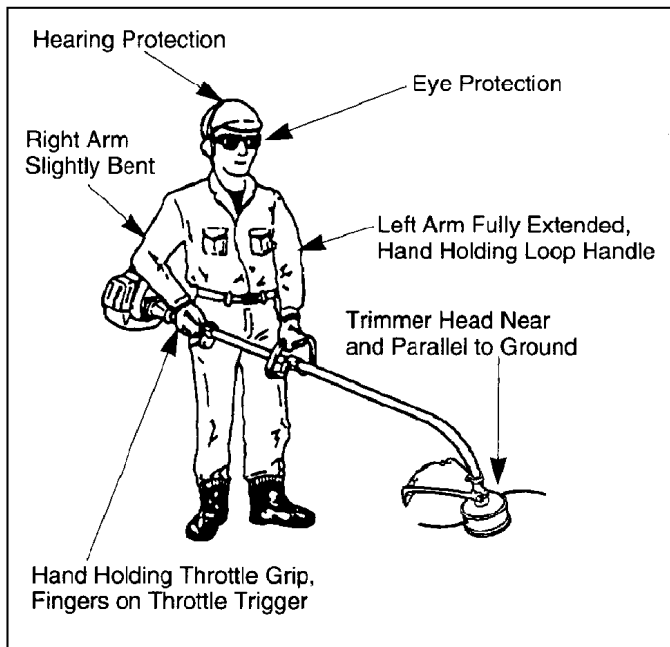
⚠ CAUTION

- Read the Safety instructions on page US-6 concerning proper use of the String Trimmer.

Operating Position

Before using the Trimmer, check the following:

1. Make sure the Holding Tool (3mm hexagonal wrench) has been removed from the gearcase and boss adapter before you start the engine.



- The Trimmer must be on the operator's right side.
- The operator's right hand should be holding the shaft grip, with his or her fingers on the throttle trigger. The right arm should be slightly bent.
- The left hand should be holding the loop handle with the fingers and thumb fully enclosed around the grip. The left arm may be extended. Reposition the loop handle up or down the driveshaft if necessary for a comfortable position.
- The trimmer weight should be evenly distributed between the arms. The cutting attachment should be near and parallel to the ground.
- Accelerate and hold the engine at cutting speed before entering the material to be cut.
- Always release the throttle trigger and allow the engine to return to idle speed when not cutting.
- Stop the engine when moving between work sites.

CAUTION

• Always wear gloves and protective clothing when operating the String Trimmer.

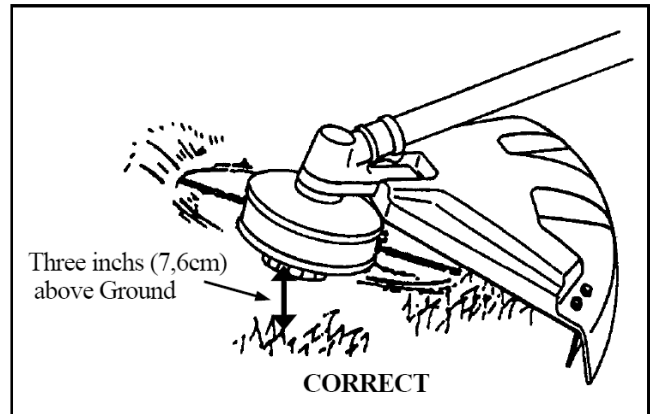
- If the trimmer head becomes jammed, stop the engine immediately.
- Make certain all moving parts have stopped and disconnect the spark plug before inspecting the

equipment for damage.

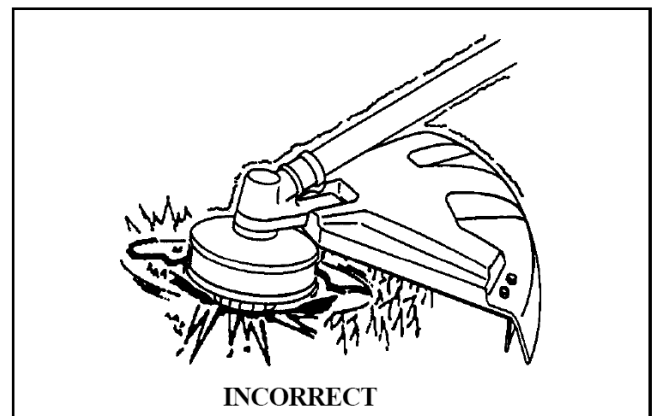
- Never use a String Trimmer that has chipped, cracked or broken trimmer head.

Cutting with Trimmer Head

- The tip of the line does the cutting. The line should stay extended while cutting.

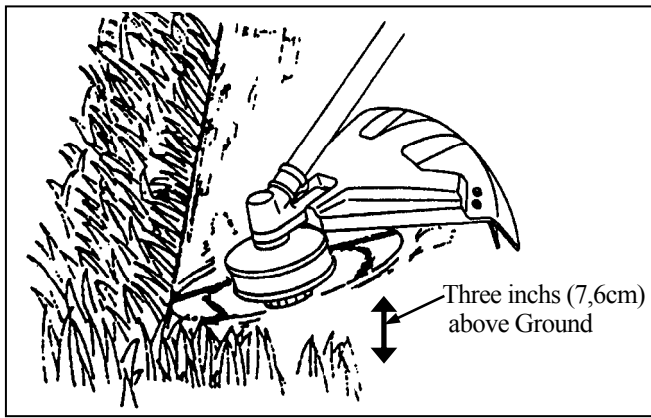


- Do not force the line into the material. Forcing the line will cause it to slap against the material, increasing line usage and causing poor cutting results.



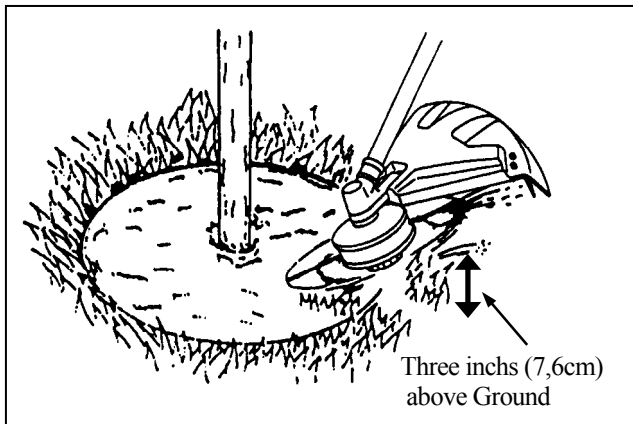
Trimming

Hold the bottom of the trimmer head about 3 in. (7.6 cm) above the ground and at an angle. Allow only the tip of the line to make contact.



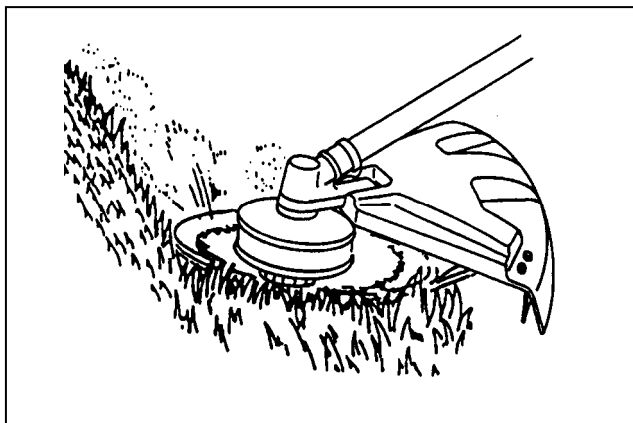
Scaling

To remove unwanted vegetation, hold the trimmer head about 3 in. (7.6 cm) above the ground and at an angle. Allow the tip of the line to strike the ground cutting the vegetation off at the surface.



Mowing

Keep the line parallel to the ground and use a gentle side to side motion.



Maintenance

Maintenance, replacement or repair of emission control devices and systems may be performed by any repair establishment or individual; however, warranty repairs must be performed by a dealer or service center authorized by Maruyama Manufacturing Company, Inc. The use of parts that are not equivalent in performance and durability to authorized parts may impair the effectiveness of the emission control system and may have a bearing on the outcome of a warranty claim.

Idle Speed Adjustment

This Trimmer is equipped with nonadjustable fuel mixture carburetor. The engine idle speed is the only adjustment for the operator.

⚠ WARNING

POTENTIAL HAZARD

- Engine must be running to make carburetor adjustments.
- When engine is running, cutting head is rotating and other parts are moving.

WHAT CAN HAPPEN

- Contact with rotating cutting head or other moving parts could cause serious personal injury or death.

HOW TO AVOID THE HAZARD

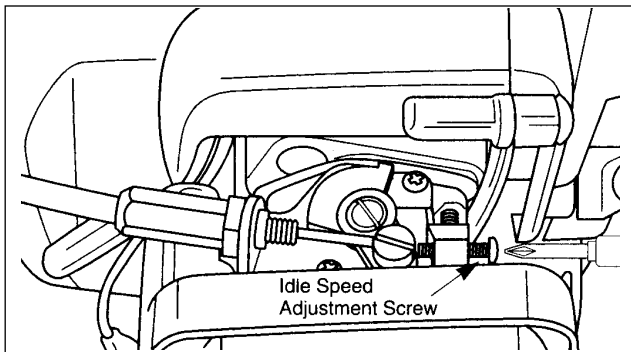
- Keep hands, feet and clothing away from attached tool and other moving parts.
- Keep all bystanders and pets away from unit while making carburetor adjustments.

The cutting head may be rotating/moving during idle speed adjustment. Wear the recommended personal protective equipment and observe all safety instructions. Keep hands and body away from the cutting head.

When the throttle trigger is released, the engine should return to an idle speed between 2700 and 3300 RPM, or just below the clutch engagement speed. The Attached Tool must not rotate/move and the engine should not stall (stop running) at engine idle speed.

To adjust the engine idle speed, rotate the idle speed adjustment screw on the carburetor.

- Turn the idle speed screw in (clockwise) to increase the engine idle speed.



- Turn the screw out (counterclockwise) to decrease the engine idle speed.

If idle speed adjustment is necessary, and after adjustment the cutting head rotates or the engine stalls, stop using the Trimmer immediately!

Contact your local authorized MARUYAMA Dealer for assistance and servicing.

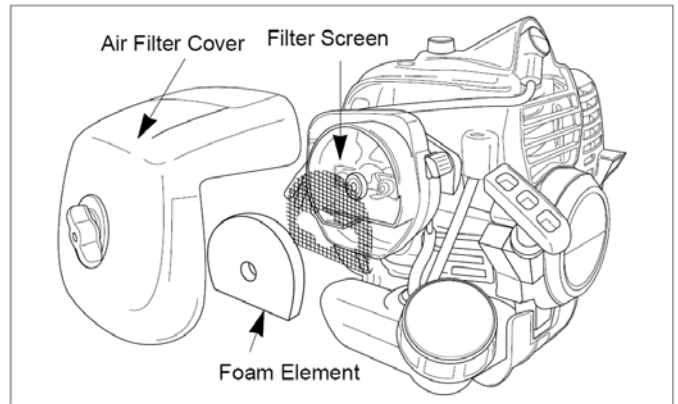
Air Filter

Maintenance Interval

- The air filter should be cleaned daily, or more often when working in extremely dusty conditions.
- Replace after every 100 hours of operation.

Air Filter Cleaning

1. Loosen the knob and remove the air filter cover.
2. Remove the foam element and filter screen from the air filter body.
3. Clean the foam element and filter screen with warm, soapy water. Let the screen and element dry completely.
4. Apply a light coat of SAE 30 motor oil to the foam element and squeeze out all excess oil.
5. Reassemble the filter screen, foam element and to the air filter cover.



Fuel Filter

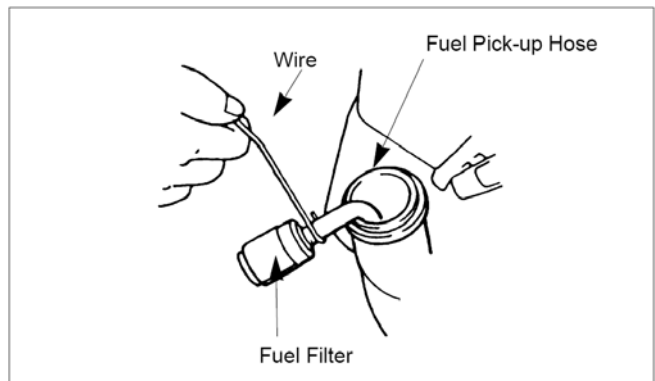
Maintenance Interval

The fuel filter should be replaced after every 100 hours of operation.

Fuel Filter Replacement

The fuel filter is attached to the end of the fuel pick-up hose inside the fuel tank.

1. Make sure the fuel tank is empty.
2. Remove the fuel cap.
3. Using a wire hook, gently pull the fuel filter out through the fuel filler opening.
4. Grasp the fuel hose next to the fuel filter fitting and remove the filter, but do not release the hose.
5. While still holding on to the fuel hose, attach the new fuel filter.
6. Drop the new fuel filter back into the fuel tank.
7. Make sure that the fuel filter is not stuck in a corner of the tank, and that the fuel hose is not doubled over (kinked) before refueling.



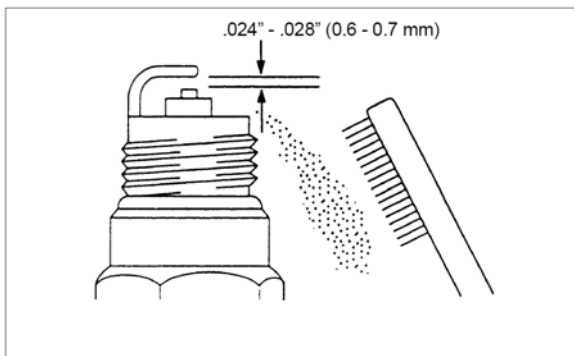
Spark Plug

Maintenance Interval

- The spark plug should be removed from the engine and checked after each 25 hours of operation.
- Replace the spark plug after every 100 hours of operation.

Spark Plug Maintenance

1. Twist the high tension lead boot on the spark plug back and forth a couple of times to loosen the boot, then pull the boot off of the spark plug.
2. Remove the spark plug.
3. Clean the electrodes with a stiff brush.
4. Adjust the electrode air gap to .024-.028 in (0.6- 0.7 mm).
5. Replace the spark plug if it is oil-fouled, damaged, or if the electrodes are worn down.
6. Do not overtighten the spark plug when installing. The tightening torque is 95-148 in. lbs. (10.7-16.6 N·m).
7. Always use only the specific heat range of spark plug. This is particularly critical with today's lowemission engines. For best results, use the exact replacement.



Cylinder Cooling Fins

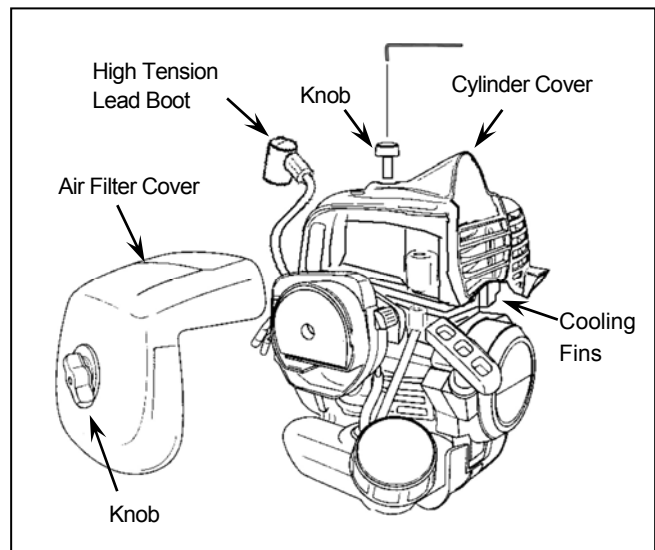
Maintenance Interval

The cylinder cooling fins should be cleaned after every 25 hours of operation, or once a week, whichever comes first. Air must flow freely around and through the cylinder cooling fins to prevent engine overheating.

Leaves, grass, dirt and debris buildup on the fins will increase the operating temperature of the engine, which can reduce engine performance and shorten engine life.

Cooling Fin Cleaning

1. With the engine at ambient (room) temperature, loosen the knob and remove the air filter cover.
2. Twist the high tension lead boot on the spark plug back and forth a couple of times to loosen the boot, then pull the boot off of the spark plug.
3. Loosen the knob and lift off the cylinder cover.
4. Clean all dirt and debris from the cooling fins and from around the cylinder base.
5. Reinstall the fan cover and the filter cover.



Spark Arrester

⚠ WARNING

POTENTIAL HAZARD

- Muffler surface becomes hot when Trimmer in operation and remains hot for some time after the engine is shut off.

WHAT CAN HAPPEN

- Contact with hot muffler surfaces could cause a burn.

HOW TO AVOID THE HAZARD

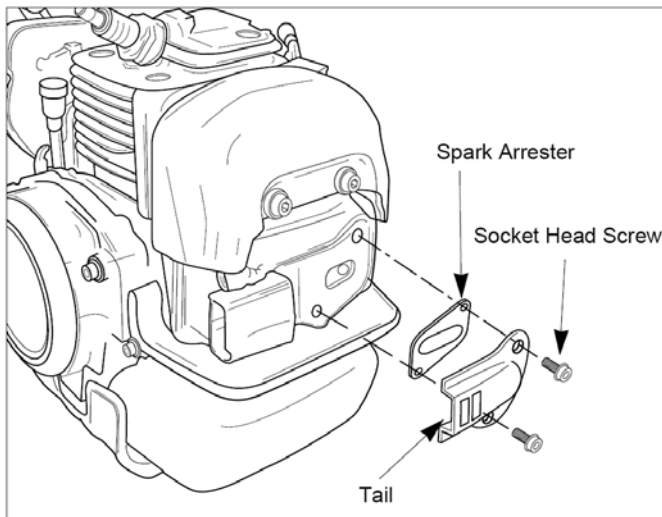
- Make sure the muffler is cool before inspecting and cleaning the spark arrester.

Maintenance Interval

- The spark arrester should be inspected and cleaned after every 25 hours of use.
- Replace the screen if it cannot be thoroughly cleaned, or if it is damaged.

Spark Arrester Maintenance

1. With the engine at ambient (room) temperature, loosen the knob and remove the air filter cover.
2. Twist the high tension lead boot on the spark plug back and forth a couple of times to loosen the boot, then pull the boot off of the spark plug.
3. Loosen the knob and lift off the cylinder cover.



4. Remove and clean the tail, gasket and spark arrester with a safety solvent and a stiff brush. If any part cannot be thoroughly cleaned, it must be replaced.
5. Reinstall the spark arrester and tail onto the muffler, then reinstall and tighten the two socket headscrews.
6. Reinstall the cylinder cover and the air filter cover.

Exhaust Muffler

Maintenance Interval

The muffler should be inspected and cleaned after each 100 hours of use.

Muffler Maintenance

1. With the engine at ambient (room) temperature, loosen the knob and remove the air cleaner cover.

2. Twist the high tension lead boot on the spark plug back and forth a couple of times to loosen the boot, then pull the boot off of the spark plug.
3. Loosen the knob and lift off the cylinder cover.
4. Remove the spark arrester (see spark arrester maintenance), Clean the muffler with a stiff brush.

IMPORTANT: Don't use solvent for cleaning inside of muffler, because of the catalytic converter in muffler.

Be careful not to allow any dirt or debris to fall into the exhaust port, as this can cause engine damage.

5. Reinstall the spark arrester and tail onto muffler, then reinstall and tighten the two socket head screws.
6. Reinstall the cylinder cover and the air filter cover.

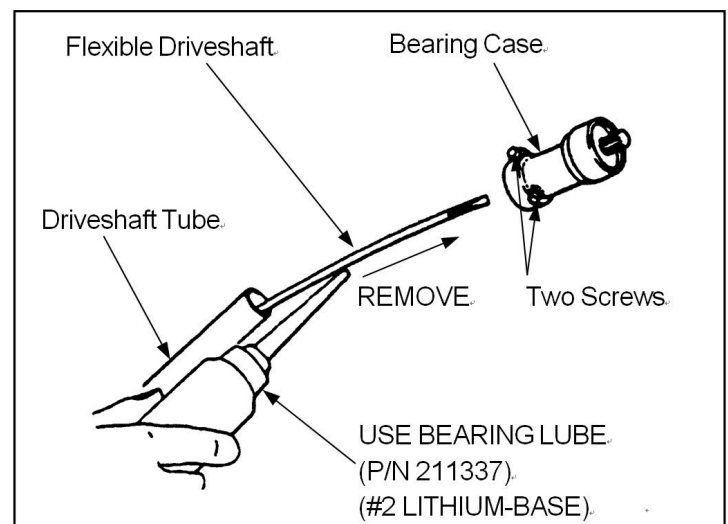
Driveshaft

Maintenance Interval

The flexible driveshaft should be lubricated after each 30 hours of use.

Driveshaft Lubrication

Loosen the two screws on the bearing case and remove the bearing case. The inner flexible driveshaft is easily removed by gripping the end securely and pulling it from the driveshaft tube. Lubricate the entire length the flexible driveshaft and insert it into the driveshaft tube. Twist the flexible shaft while pushing to insure that it seats correctly into the driveshaft coupler. Re-install the bearing case onto the driveshaft tube and tighten the two screws.



General Cleaning and Tightening

The Trimmer will provide maximum performance for many, many hours if it is maintained properly.

⚠ WARNING

POTENTIAL HAZARD

- When engine is running, Attached Tool is rotating/moving and other parts are moving.

WHAT CAN HAPPEN

- Contact with rotating/moving Tool or other moving parts could cause serious personal injury or death.

HOW TO AVOID THE HAZARD

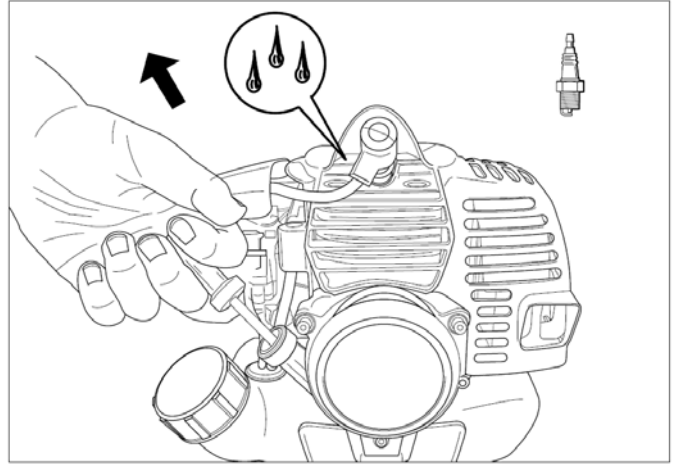
- Always turn off your Trimmer before you clean or perform any maintenance on it.

Good maintenance includes regular checking of all fasteners for correct tightness and cleaning the entire machine.

Storage

For long term storage of the Trimmer:

1. Empty the fuel tank into a suitable fuel storage container.
2. Pump the primer bulb on the carburetor until all fuel is discharged through the clear fuel return hose.
3. Run the engine to remove any fuel that may remain in the carburetor.
4. Perform all regular maintenance procedures and any needed repairs.
5. Remove the spark plug and squirt a very small amount of oil into the cylinder.



⚠ CAUTION

POTENTIAL HAZARD

- Oil may squirt out of the spark plug opening when you pull the starter grip.

WHAT CAN HAPPEN

- Oil can cause eye injuries.

HOW TO AVOID THE HAZARD

- Protect your eyes and keep your face away from the spark plug opening.

6. Pull the starter grip once.
7. Slowly pull the starter grip to bring the piston to the top of the cylinder (TDC).
8. Reinstall the spark plug.
9. Store the Trimmer in a dry place away from excessive heat, sparks or open flame.

TroubleShooting

Problem	Cause	Action
Engine Will Not Start	STOP switch set to off position Empty fuel tank Primer bulb wasn't pushed enough Engine flooded	Move switch to on position Fill fuel tank Press primer bulb until fuel flows through fuel return line Use warm engine starting procedure
Engine Will Not Idle	Idle speed set incorrectly	Set idle speed
Engine Lacks Power or Stall When Cutting	Throttle wire has come loose Dirty air filter Clogged spark arrester or exhaust port	Tighten throttle wire Clean or replace air filter Clean spark arrester or exhaust port

If further assistance is required, contact your local authorized Maruyama service dealer.

Specifications

	B23C
Weight (lbs.)	*19.9 (4.5kg)
Engine Displacement (cm ³)	22.5
Anti Vibration	Grip
Carburetor	Walbro Diaphragm Type
Ignition System	Solid State
Fuel Tank Capacity (qts.)	0.63 (0.6ℓ)
Gas to Oil Ratio	50:1
Spark Plug	NGK BPM8Y
Spark Plug Gap (in.)	.024 -.028 (0.6 - 0.7 mm)
EPA and CARB Approved	Phase3, Tire 3

Emission durability of 300 hours.

*1. Dry weight without Fuel and Cutting head.

Maintenance Period

Maintenance	Daily	Every 25 hours	Every 50 hours	Every 100 hours
Check and replenish fuel	●			
Check for fuel leakage	●			
Check bolts, nuts and screws for tightness or missing	●			
Check engine idle speed adjustment	●			
■ Clean air filter element	●			
Clean spark plug and adjust electrode gap		●		
■ Remove dust and dirt from cylinder fins		●		
● Clean spark arrester		●		
Tighten bolts and nuts			●	
● Remove carbon deposits in exhaust port			●	
Replace fuel filter				●
● Remove carbon deposits on piston head and combustion chamber				●
● Remove carbon deposits in transfer ports				●
Replace fuel tube, fuel tank cap gasket	It is recommended to replace every 3 years			

● : Service to be performed by an authorized Maruyama engine dealer. ■ : Service more frequently under dusty conditions.

NOTE: The service intervals indicated are to be used as a guide. Service to be performed more frequently as necessary depending on operating condition. Use Maruyama standard 50:1 two-cycle engine oil.



Declaración de garantía limitada

Se garantiza al comprador inicial que todos los productos comerciales e industriales de Maruyama están libres de defectos de fabricación y en materiales **a partir de la fecha de compra** durante el período de tiempo siguiente:

Durante toda la vida para el eje motor interno de los cortasetos y desbrozadoras y para todos los módulos de encendido.

3 años para uso residencial, doméstico, no retribuido.

1 año para uso industrial, comercial, público, de alquiler y retribuido.

Los motores Maruyama de la serie AE y Kawasaki TEX45/TEX54 están cubiertos exclusivamente durante un año más para el uso industrial, comercial, público, de alquiler y retribuido (un total de 2 años). Para todos los demás motores, consulte la declaración de garantía del fabricante del motor.

Cualquier pieza de un producto Maruyama que resulte ser defectuosa dentro del período de garantía aplicable será reparada o sustituida sin coste alguno, a elección de Maruyama. La valoración de la garantía se consigue entregando cualquier producto Maruyama que se crea defectuoso al Servicio técnico de un distribuidor autorizado de Maruyama dentro del período de garantía aplicable.

No se cobrará al comprador por la tarea de diagnóstico que determine que una pieza en garantía es defectuosa, si se realiza en un centro de distribución de Maruyama. Cualquier pieza en garantía cuyo cambio no esté programado como mantenimiento necesario, o que esté programada sólo para revisión ordinaria con vistas a su "reparación o cambio según sea necesario" estará cubierta durante el período de garantía. Cualquier pieza en garantía, cuyo cambio esté programado dentro del mantenimiento necesario, estará cubierta hasta el primer cambio programado que le corresponda. Maruyama Mfg Co., Inc. es responsable de los daños ocasionados a otros componentes del motor por el fallo de una pieza que aún esté en garantía. El comprador es responsable de realizar las tareas de mantenimiento necesarias tal y cómo se definen en el manual del propietario u operador de Maruyama Mfg Co., Inc.

GARANTÍA DE PIEZAS RELACIONADAS CON LAS

EMISIONES: Además de la cobertura de la garantía mencionada, Maruyama Mfg Co., Inc. reparará o cambiará, gratuitamente, para el comprador inicial y cada comprador posterior, cualquier pieza relacionada con las emisiones con defectos de fabricación y en los materiales durante dos (2) años a partir de la fecha de entrega del minorista inicial, **salvo el convertor catalítico. El convertor catalítico está cubierto por la garantía durante un año a partir de la fecha de entrega del minorista inicial. Las piezas relacionadas con las emisiones son el carburador, la bobina de encendido, el rotor de encendido y la bujía, y el convertor catalítico.** Puede utilizarse cualquier pieza de repuesto equivalente en rendimiento y durabilidad en el mantenimiento o reparaciones no cubiertas por la garantía, y no reducirá las obligaciones de Maruyama Mfg Co., Inc. derivadas de la garantía.

Esta garantía no cubre:

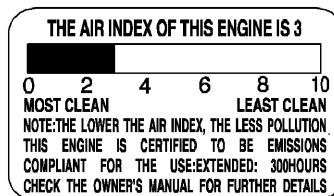
1. Elementos de mantenimiento (excluidos los defectos en materiales y fabricación) que incluyen tubos flexibles, bujías, cuerda del arrancador, filtros de aire y de combustible, zapatas del embrague, aislantes, cables del acelerador y todos los accesorios de corte, etc.
2. Gastos adicionales que incluyen el envío y gestión, traslado, pago por el tiempo perdido o por cualquier problema y almacenamiento.
3. Alteraciones o modificaciones que incluyen piezas de repuesto no originales, no homologadas por Maruyama U.S., Inc.
4. Desgaste, accidente, uso indebido, negligencia; combustibles, lubricantes, mezclas de combustible (cuando sea aplicable) incorrectos o el uso o mantenimiento del producto contrarios a las instrucciones aprobadas por Maruyama.

La reparación o cambio según lo estipulado en la presente garantía es la única solución del usuario. Maruyama no se hará responsable de ningún daño fortuito o consecuencial del incumplimiento de cualquier garantía expresa o implícita de estos productos salvo hasta el límite estipulado por la legislación aplicable. Cualquier garantía implícita de comerciabilidad o idoneidad para un fin particular de estos productos se restringe al período de garantía tal y cómo se define en la declaración de garantía limitada. Maruyama se reserva el derecho a modificar o mejorar el diseño del producto sin previo aviso y no asume ninguna obligación de actualizar los productos previamente fabricados. Esta garantía le ofrece derechos legales específicos, que pueden variar de un Estado a otro. El propietario y el distribuidor se responsabilizarán de que la Tarjeta de registro de garantía sea correctamente cumplimentada y enviada a Maruyama U.S., Inc. Para obtener el servicio de garantía se solicitará una prueba de compra o registro. Para encontrar al distribuidor autorizado de Maruyama más cercano, contacte con:

Maruyama U.S., Inc.
4770 Mercantile Drive, suite 100,
Fort Worth, TX 76137 U.S.A
(940)383-7400
maruyama@maruyama-us.com
www.maruyama-us.com

⚠ WARNING: ⚠

The engine exhaust from this product contains chemicals known to the State of California to cause cancer, birth defects or other reproductive harm.



B23C

DECLARACIÓN DE GARANTÍA DEL CONTROL FEDERAL DE EMISIONES. DERECHOS Y OBLIGACIONES DERIVADOS DE LA GARANTÍA

La Agencia para la protección ambiental de EE.UU. (EPA) y Maruyama Manufacturing Company, Inc. se complacen en explicar la **garantía del sistema de control de emisiones** de su pequeño motor no destinado a la automoción. Los nuevos modelos de motor pequeño de 1997 y posteriores, no destinados a la automoción, deben estar diseñados, fabricados y equipados, en el momento de venta, para cumplir las normas de la EPA de EE.UU. El motor debe estar libre de defectos en los materiales y de fabricación que provoquen el incumplimiento de las normas de la EPA durante los dos primeros años de uso del motor a partir de la fecha de venta inicial hasta el último comprador. Maruyama Manufacturing Company, Inc. ha de garantizar el sistema de control de las emisiones en el pequeño motor durante el período anteriormente citado siempre y cuando no haya ningún uso indebido, negligencia o mantenimiento incorrecto del mismo.

Período de durabilidad de emisiones: 300 horas.

Su sistema de control de emisiones puede incluir piezas como el carburador o el sistema de inyección de combustible, el sistema de encendido y el convertidor catalítico. También puede incluir tubos flexibles, correas y conectores y otros sistemas relacionados con las emisiones.

Cuando exista una condición cubierta por la garantía, Maruyama Manufacturing Company, Inc. reparará gratuitamente el pequeño motor no destinado a la automoción, incluido el diagnóstico (si se realiza en un centro de distribución autorizado), piezas y mano de obra.

COBERTURA DE LA GARANTÍA DEL FABRICANTE:

Los modelos de motor pequeño de 1997 y posteriores, no destinados a la automoción, están garantizados durante dos años. Si cualquier pieza de su motor relacionada con las emisiones es defectuosa, Maruyama Manufacturing Company, Inc. la reparará o cambiará gratuitamente.

RESPONSABILIDADES DEL PROPIETARIO DERIVADAS DE LA GARANTÍA:

- (a) Como propietario del motor arriba mencionado, usted es responsable de realizar las tareas de mantenimiento necesarias enumeradas en el manual del propietario u operador de Maruyama Manufacturing Company, Inc. recomienda conservar todos los recibos del mantenimiento del motor, pero no puede negar la aplicación de la garantía sólo porque usted carezca de recibos o no asegure la ejecución de todas las tareas de mantenimiento programadas. Se permite el uso de cualquier pieza de repuesto o mantenimiento equivalente en prestación y durabilidad en el mantenimiento o reparaciones no cubiertas por la garantía, no reduciendo este hecho las obligaciones del fabricante del motor derivadas de la garantía.

- (b) Como propietario, debería saber, sin embargo, que Maruyama Manufacturing Company puede negarle la cobertura de la garantía si el motor o la pieza no funcionan por el uso indebido, negligencia, mantenimiento incorrecto o modificaciones no autorizadas.
- (c) Usted es responsable de llevar el motor a un centro de asistencia de Maruyama Manufacturing Company, Inc. tan pronto como exista un problema. Las reparaciones cubiertas por la garantía deberían completarse en un período de tiempo razonable, no superior a **30 días**.

Si tiene preguntas relacionadas con los derechos y responsabilidades derivadas de la garantía, contacte con Maruyama U.S., Inc. en el número: **1-866-783-7400**, o **warranty@maruyama-us.com**.

COBERTURA

Maruyama Manufacturing Company, Inc. garantiza al comprador último y a cada comprador posterior que el pequeño motor no destinado a la automoción estará diseñado, fabricado y equipado, en el momento de venta, para cumplir con toda la normativa aplicable. Maruyama Manufacturing Company, Inc. también garantiza al comprador inicial y a cada comprador posterior que el motor está libre de defectos de fabricación y en los materiales, que le impidan cumplir las normas aplicables durante un período de dos años.

La Agencia de protección ambiental (EPA) obliga a los fabricantes de este tipo de motores a cumplir la normativa durante dos años. Estos períodos de garantía se iniciarán en la fecha en que el comprador inicial adquiera el pequeño motor no destinado a la automoción. Si cualquier pieza del motor relacionada con las emisiones es defectuosa, Maruyama Manufacturing Company, Inc. la cambiará gratuitamente.

Maruyama Manufacturing Company, Inc. resolverá los defectos cubiertos por la garantía en cualquier centro de garantía o de distribución de motores de Maruyama Manufacturing Company, Inc. autorizado. Cualquier tarea autorizada realizada en un centro de garantía o de distribución autorizado será gratuita si determina que una pieza en garantía es defectuosa. Para cualquier tarea de mantenimiento o reparación de piezas relacionadas con las emisiones, cubierta por la garantía puede utilizarse cualquier pieza de repuesto homologada por el fabricante o equivalente, y debe realizarse gratuitamente si la pieza aún está en garantía. Maruyama Manufacturing Company, Inc. es responsable de los daños ocasionados a otros componentes del motor por el fallo de una pieza en garantía.

EPA estima que las piezas garantizadas relacionadas con las emisiones incluyen todas las que figuran a continuación. Piezas garantizadas: **el carburador, la bobina de encendido, el rotor de encendido, la bujía, el convertidor catalítico y el depósito de combustible**.

MANTENIMIENTO NECESARIO

El propietario es responsable de realizar las tareas de mantenimiento necesarias tal y cómo se definen en el manual del propietario u operador de Maruyama Manufacturing Company, Inc.

LIMITACIONES

Esta Garantía del sistema de control de emisiones no cubrirá lo siguiente:

- (a) ninguna reparación o cambio necesarios por el uso indebido o negligencia, falta de mantenimiento requerido, reparaciones incorrectamente realizadas o cambios que no cumplan las especificaciones de Maruyama Manufacturing Company, Inc. que repercutan adversamente en el rendimiento o durabilidad, y alteraciones o modificaciones no recomendadas o aprobadas por escrito por Maruyama Manufacturing Company, Inc., y
- (b) ningún cambio de piezas y otros servicios y ajustes necesarios para el mantenimiento requerido en y después del primer cambio programado.

DECLARACIÓN DE GARANTÍA DEL CONTROL DE EMISIONES DE CALIFORNIA. DERECHOS Y OBLIGACIONES DERIVADOS DE LA GARANTÍA

La Junta de Recursos del Aire de California (CARB), y Maruyama Manufacturing Company, Inc. se complacen en explicar la garantía del sistema de control de emisiones de su pequeño motor, mod-elo 2013, no destinado a la automoción. En California, los nuevos pequeños motores no destinados a la automoción deben estar diseñados, fabricados y equipados para cumplir con la estricta normativa anti humos del Estado. Maruyama Manufacturing Company, Inc. ha de garantizar el sistema de control de las emisiones en el pequeño motor durante el período anteriormente citado siempre y cuando no haya ningún uso indebido, negligencia o mantenimiento incorrecto del mismo.

Su sistema de control de emisiones puede incluir piezas como el carburador o el sistema de inyección de combustible, el sistema de encendido, depósito de combustible y el convertor catalítico. También puede incluir tubos flexibles, correas y conectores y otros sistemas relacionados con las emisiones.

Cuando exista una condición cubierta por la garantía, Maruyama Manufacturing Company, Inc. reparará gratuitamente el pequeño motor no destinado a la automoción, incluido el diagnóstico, piezas y mano de obra.

COBERTURA DE LA GARANTÍA DEL FABRICANTE:

Los pequeños motores de 1995 y posteriores, no destinados a la automoción, están garantizados durante dos años. Si cualquier pieza de su motor relacionada con las emisiones es defectuosa, Maruyama Manufacturing Company, Inc. la reparará o cambiará gratuitamente.

RESPONSABILIDADES DEL PROPIETARIO DERIVADAS DE LA GARANTÍA:

- (a) Como propietario del motor arriba mencionado, usted es responsable de realizar las tareas de mantenimiento necesarias enumeradas en el manual del propietario u operador. Maruyama Manufacturing Company, Inc. recomienda conservar todos los recibos del mantenimiento del motor, pero no puede negar la aplicación de la garantía sólo porque usted carezca de recibos o no asegure la ejecución de todas las tareas de mantenimiento programadas.
- (b) Como propietario, debería saber, sin embargo, que Maruyama Manufacturing Company puede negarle la cobertura de la garantía si el motor o la pieza no funcionan por el uso indebido, negligencia, mantenimiento incorrecto o modificaciones no autorizadas.
- (c) Usted es responsable de llevar el motor a un centro de asistencia de Maruyama Manufacturing Company, Inc. tan pronto como exista un problema. Las reparaciones cubiertas por la garantía deberían completarse en un período de tiempo razonable, no superior a 30 días.

Si tiene preguntas relacionadas con los derechos y responsabilidades derivadas de la garantía, contacte con Maruyama U.S., Inc. en el número: **1-866-783-7400**, o **warranty@maruyama-us.com**.

Piezas del sistema de emisiones

Emisión de escape
Carburador
Silenciador
Convertor catalítico
Bobina de encendido/ Magneto
Bujía
Filtro de aire
Válvula EGR (pistón)
Filtro de combustible

Emisión de evaporación
Depósito de combustible

Contenido

	Page ES-
Declaración de garantía limitada	1
CONTROL DE FEDERAL DE EMISIONES	2
CONTROL DE EMISIONES DE CALIFORNIA	4
Contenido	5
Introducción	5
Seguridad	6
Seguridad del operador	6
Seguridad de la recortadora	6
Seguridad del combustible	7
Seguridad de operación de la recortadora	7
Símbolos Adhesivos de Seguridad	9
Descripción del producto	9
Montaje	10
Montaje del motor y el eje direccional de ensamblaje.....	10
Instalación del manijar en forma.....	10
Conexión de los cables del interruptor de parade	10
Cómo conectar el cable del acelerador	11
Montaje del Protector	11
Cabeza de Corte	12
Antes De Utilizar	13
Aceite y combustible	13
Mezcla de gasolina y aceite	14
Arranque y parada	15
Uso	16
Posición de funcionamiento del recortadora	16
Cortando con el cabeza de corte	17
Mantenimiento	18
Ajuste de la Velocidad del Ralentí	18
Filtro del aire	18
Filtro del combustible	19
Bujía	19
Aletas del cilindro de refrigeración	20
Protección contra las chispas	20
Silenciador de escape	21
Eje motor flexible	21
El general limpiando y apretándose	22
Almacenaje	22
Problemas	23
Especificaciones	23
Período de mantenimiento	23

Introducción

Gracias por su compra de un producto Maruyama. Maruyama, sus distribuidores y concesionarios desean que usted esté completamente satisfecho con su nuevo producto. No dude en contactar a su distribuidor de servicio autorizado para obtener asistencia en el servicio, partes genuinas de Maruyama u otra información que usted pueda requerir.

Cada vez que usted contacte a su distribuidor de servicio autorizado o la fábrica, siempre tenga disponible el número de serie de su producto. Este número ayudará al distribuidor de servicio o al representante de servicio para proveer la información exacta sobre su producto específico. Usted encontrará el modelo y el número de serie localizado en un lugar único en el producto (Descripción del producto en la página ES-9).

Para su conveniencia, escriba el nombre de modelo del producto y el número de serie en el espacio de abajo.

Nombre del modelo _____

Nº de serie _____

Lea cuidadosamente este manual para aprender sobre la manera de operar y efectuar el mantenimiento del producto correctamente. Leer este manual le ayudará a usted y a otros a evitar lesiones personales y daños al producto.

Aunque Maruyama diseña, produce y comercializa productos seguros y de la más reciente tecnología, usted será el responsable por usarlos de la manera apropiada y segura. Usted también será responsable por la capacitación de las personas a las que usted permita usar el producto para la operación segura.

El sistema de advertencia de Maruyama en este manual identifica los peligros potenciales y tiene mensajes de seguridad especiales que le asistirán a usted y a otros en evitar lesiones personales, o incluso la muerte. PELIGRO, ADVERTENCIA y PRECAUCIÓN son las palabras de señalización usadas para identificar el nivel del peligro. Sin embargo, independientemente del peligro, sea extremadamente cuidadoso.

Las señales **PELIGRO** indican un peligro extremo, que causará lesiones serias o la muerte si las precauciones recomendadas no se siguen.

Las señales **ADVERTENCIA** indican un peligro que puede causar lesiones serias o la muerte si las precauciones recomendadas no se siguen.

Las señales **CUIDADO** indican un peligro que puede causar lesiones menores o moderadas si las precauciones recomendadas no se siguen. También se usan otras palabras para destacar la información. "Importante" llama la atención sobre información mecánica especial y "Nota" enfatiza la información general que merezca atención especial.

Seguridad

Seguridad del operador

1. Lea y comprenda este manual del operador antes de usar el producto. Familiarícese completamente con el uso apropiado de este producto.
2. Nunca permita que los niños operen la recortadora. Ésto no es un juguete. Nunca permita que los adultos operen la unidad sin leer primero el manual del propietario u operador.
3. Siempre use una protección ocular que cumpla con ANSI (Instituto de Estándares Nacionales Americanos) Z87-1



4. Siempre use protección auditiva.



5. Siempre use pantalones largos, pesados, camisa de manga larga, botas y guantes. No use ropa suelta, joyas, pantalones cortos, sandalias ni ande descalzo. Tómese el cabello de manera que no pase la longitud de los hombros.
6. Nunca opere esta recortadora cuando esté cansado, enfermo o bajo la influencia del alcohol, las drogas o medicinas.
7. Nunca arranque ni opere el motor dentro de una sala o edificio cerrado. Respirar los humos del escape puede causar la muerte.



8. Mantenga las manijas limpias de aceite, combustible y suciedad.

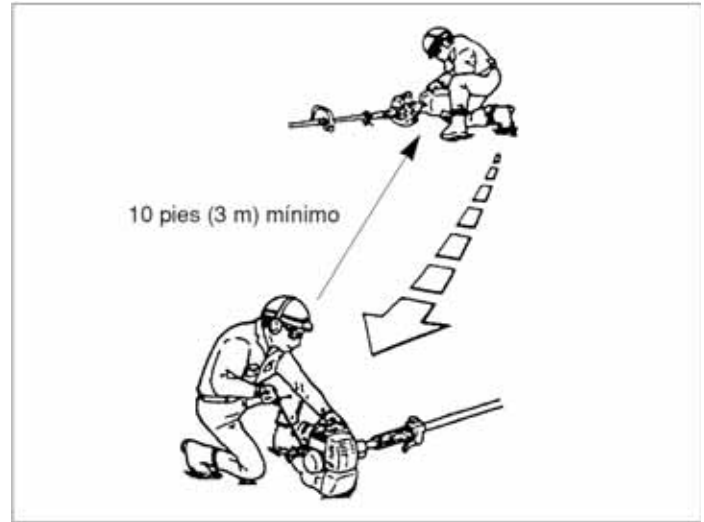
Seguridad de la recortadora

1. Asegúrese que la recortadora sea ensamblada correctamente, y que el accesorio de corte sea instalado correctamente y asegurado de la manera que se instruye en la sección de ensamble.
2. Inspeccione la recortadora antes de cada uso. Reemplace las partes dañadas. Verifique escape de combustible. Asegúrese que todos los seguros estén en posición y firmemente asegurados. Siga las instrucciones de mantenimiento que comienzan en la página ES-18.
3. Asegúrese que la cabeza de corte no rote a la velocidad de ralentí del motor. Refiérase al ajuste de velocidad de ralentí, página ES-18.

4. Inspeccione la cabeza de corte y reemplace las partes que no estén quebradas, picadas o dañadas antes de usar la recortadora.
5. Asegúrese que la pantalla de la cabeza de corte sea instalada y posicionada correctamente antes de usar la recortadora.
6. Nunca use una cabeza de corte o partes de reemplazo que no estén aprobadas por MARUYAMA.
7. Efectúe el mantenimiento de la recortadora de acuerdo con los intervalos y procedimientos de mantenimiento recomendados en la sección de mantenimiento de la página ES-18.
8. Apague el motor y asegúrese que la cabeza de corte haya dejado de rotar completamente antes de invertir la recortadora, para efectuar el mantenimiento o trabajar en la máquina.
9. Si hay problemas de operación o se produce vibración excesiva, detenga inmediatamente e inspeccione la unidad para localizar la causa. Si la causa no puede ser determinada o está más allá de su capacidad para corregirla, retorne la recortadora a su distribuidor de servicio para repararla.

Seguridad del combustible

1. La gasolina es altamente inflamable y debe ser manipulada y almacenada cuidadosamente. Use un recipiente aprobado para combustible para almacenar la gasolina y / o la mezcla de combustible / aceite.
2. Mezcle y vierta el combustible en exteriores, donde no hayan chispas ni llamas.
3. No fume cerca del combustible o de la recortadora, o mientras no usa la recortadora.
4. No llene en exceso el estanque de combustible. Detenga el llenado a 1/4 - 1/2 pulgada (6 mm - 13 mm) desde la parte superior del tanque.
5. Limpie el combustible salpicado antes de arrancar el motor.
6. Mueva la recortadora al menos 10 pies (3 m) de la localización del combustible antes de arrancar el motor.

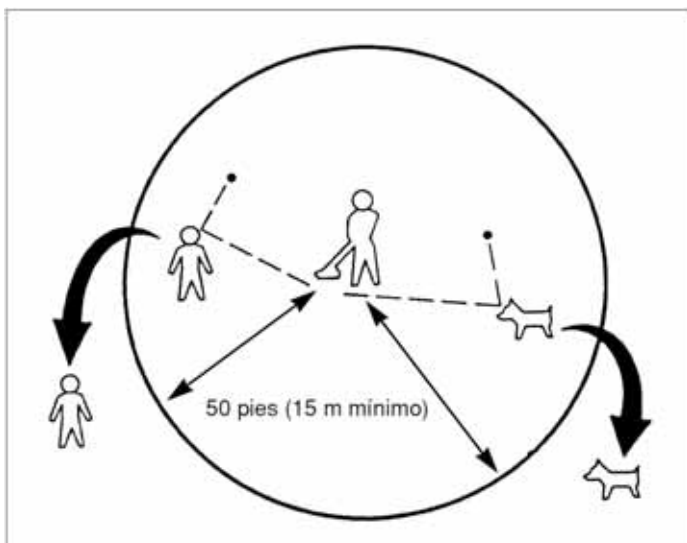


7. No extraiga la tapa de combustible mientras el motor está operando, ni inmediatamente después de detener el motor.
8. Permita que el motor se enfríe antes de rellenarlo de combustible.
9. Drene el tanque y opere el motor seco antes de almacenar la unidad.
10. Almacene el combustible y la recortadora alejados de fuego, chispas y el calor excesivo. Asegúrese que los vapores de combustible no alcance a las chispas ni el fuego de los calentadores, hornos, motores eléctricos, etc.

Seguridad de operación de la recortadora

1. ESTA RECORTADORA PUEDE CAUSAR LESIONES SERIAS. Lea cuidadosamente las instrucciones. Familiarícese con todos los controles y el uso apropiado de la recortadora.
2. Asegúrese que la clavija de 3.5 mm haya sido removida de la caja de engranaje y el adaptador de protuberancia antes de arrancar el motor.
3. Evite usar la desbrozadora cerca de rocas, desechos, piedras y materiales similares, que pueden convertirse en proyectiles peligrosos.
4. Inspeccione su área de trabajo antes de comenzar. Extraiga los objetos, tales como vidrios rotos, clavos, alambres y rocas, que pueden transformarse en proyectiles peligrosos si son lanzados por la recortadora. Remueva las cadenas, cuerdas o materiales similares que puedan enredarse en la cabeza de corte.

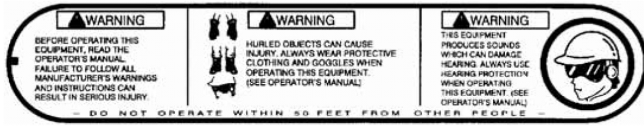
5. Mantenga a los niños, los observadores y los animales fuera de un radio de 50 pies (15 m) del operador y la recortadora.



6. Si alguien se aproxima a usted mientras opera la recortadora, detenga el motor y la rotación de la cabeza de corte.
7. Nunca permita que los niños operen la recortadora.
8. Use la recortadora solamente con luz solar o con buena luz artificial.
9. Nunca opere la recortadora sin las protecciones apropiadas u otros dispositivos de seguridad de protección en posición.
10. Siempre mantenga la recortadora al lado derecho de su cuerpo.
11. No levante la cabeza de corte sobre el nivel de la cintura.
12. No ponga las manos ni los pies cerca o bajo de las partes de rotación. Manténgalo despejado en todo momento. Mantenga todas las partes de su cuerpo alejadas del accesorio de corte rotatorio y las superficies calientes, tales como el silenciador.
13. Mantenga una posición de pie firme y balanceada. No sobrepase el alcance.
14. Use la herramienta correcta para el trabajo. No use la recortadora para ningún trabajo que no sea recomendado por Maruyama.

Símbolos Adhesivos de Seguridad

Los símbolos Adhesivos de Seguridad son de fácil visibilidad y están localizados cerca de los lugares de peligro. Vuelva a poner cualquier símbolo adhesivo en caso de que esté deteriorado o haya sido despegado/s.

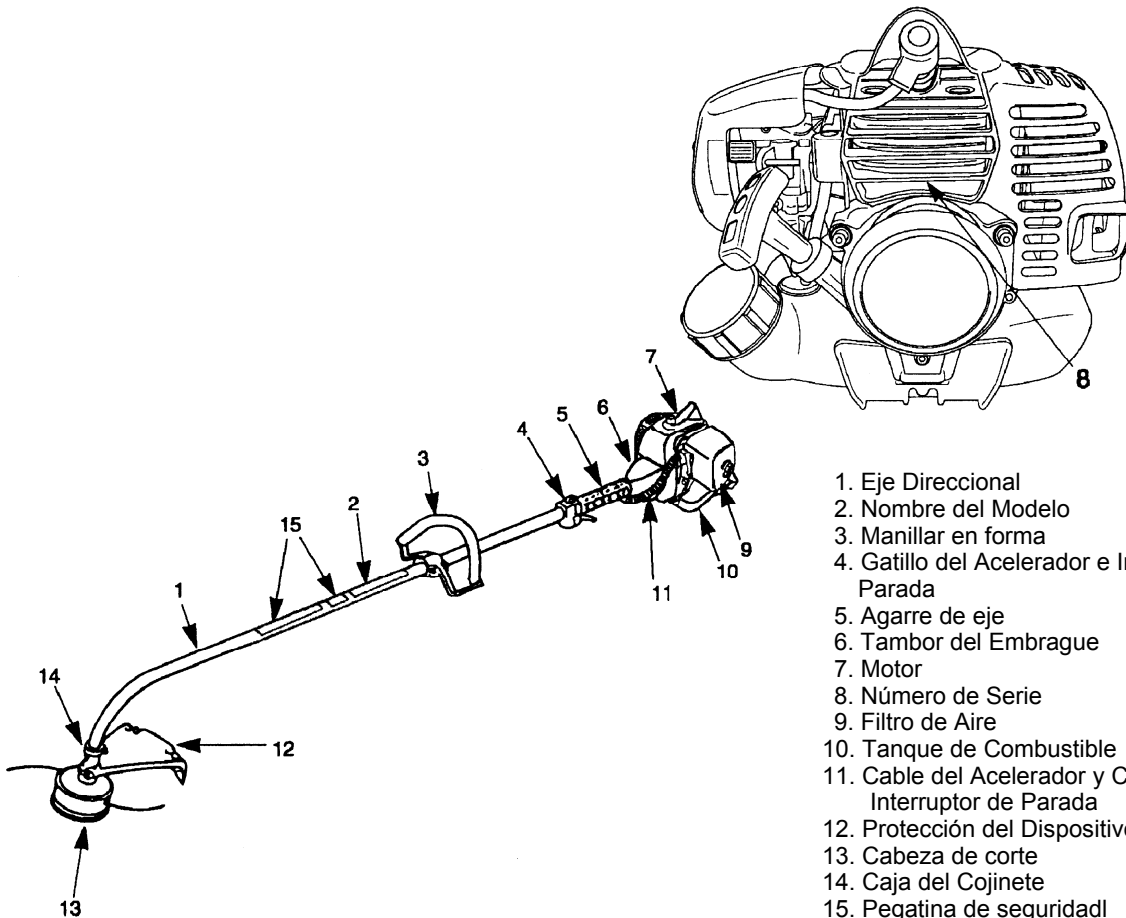


Sobre el Eje (221501)

**Lubricate drive-
shaft each 30
hours of use.**

Sobre el Eje (223926)

Descripción del producto

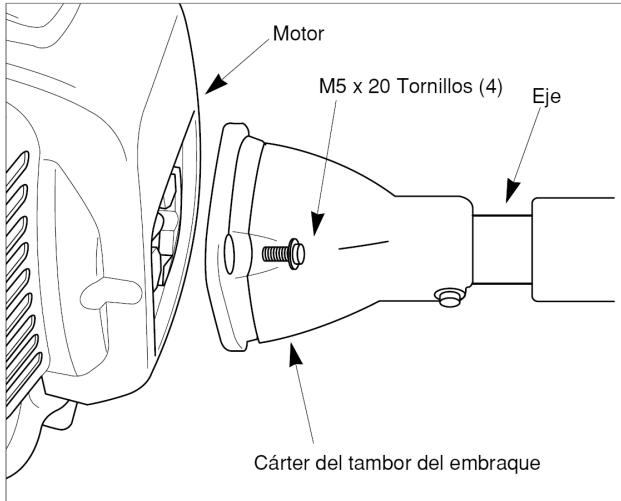


1. Eje Direccional
2. Nombre del Modelo
3. Manillar en forma
4. Gatillo del Acelerador e Interruptor de Parada
5. Agarre de eje
6. Tambor del Embrague
7. Motor
8. Número de Serie
9. Filtro de Aire
10. Tanque de Combustible
11. Cable del Acelerador y Cable del Interruptor de Parada
12. Protección del Dispositivo
13. Cabeza de corte
14. Caja del Cojinete
15. Pegatina de seguridad

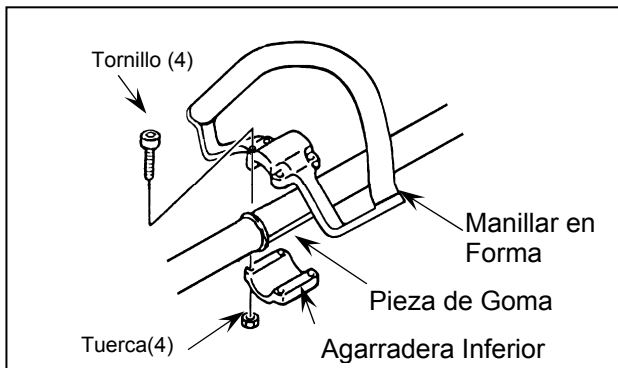
Montaje

Montaje del motor y el eje dirreccional de ensamblaje

Fije el tambor del embrague al motor usando los cuatro M5X20 tornillos que vienen con la unidad.

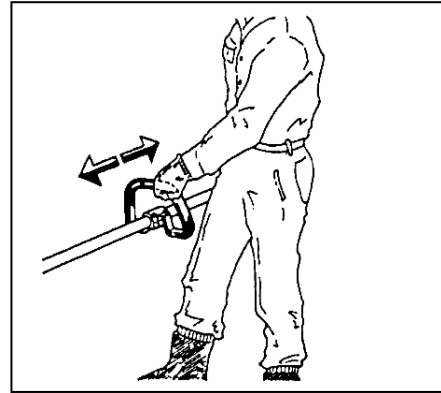


Instalación del manijar en forma



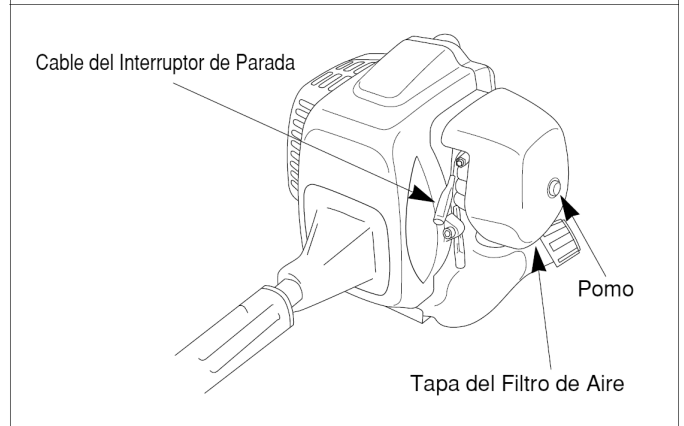
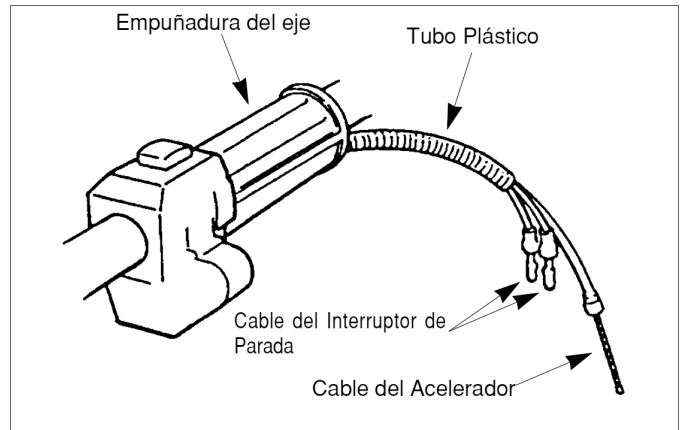
1. Coloque la pieza de goma alrededor del eje.
2. Coloque el manijar en forma de bucle y la agarradera inferior sobre la pieza de goma.
3. Instale los cuatro tornillos y pernos. Apriete los tornillos por igual.

4. Coloque de nuevo el Manillar en Forma o abajo el árbol motor a el la posición más cómoda, pero no más cerca que 9 pulgadas (22.8 cm) a partir del final del interruptor de parada.



5. Apriete los tornillos y nueces.

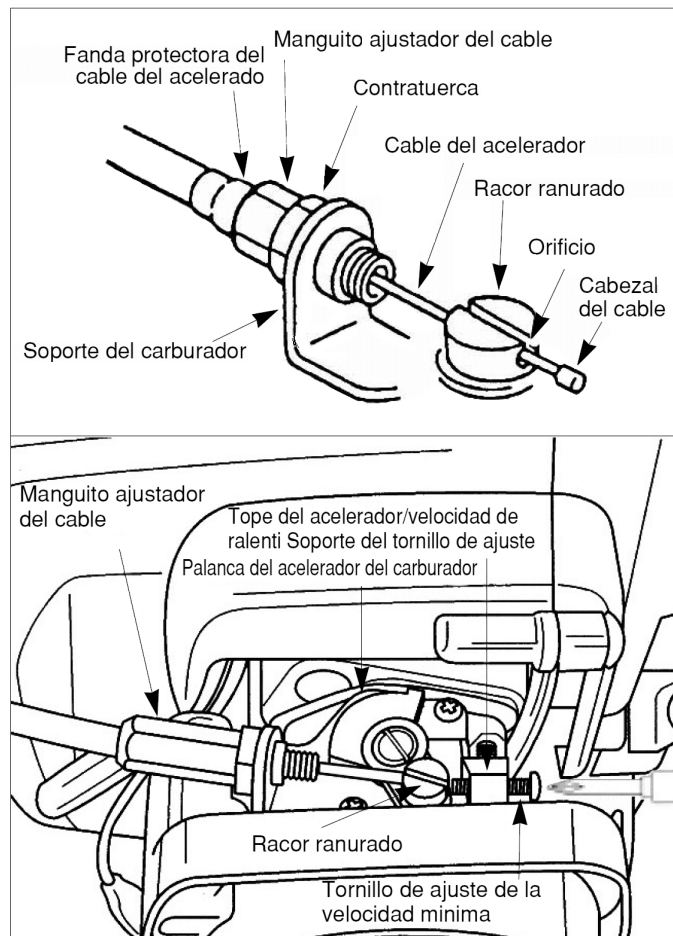
Conexión de los cables del interruptor de parade



1. Instale el tubo plástico alrededor de cable del acelerador y de los cables del interruptor de parada como se indica en la ilustración.
2. Conecte los cables del interruptor de parada en los conectores correspondientes del motor. Recuerde que la polaridad de los cables no es importante.

Cómo conectar el cable del acelerador

1. Afloje el pomo y retire la tapa del filtro de aire, inserte el cable del acelerador con el manguito ajustador del cable en el soporte del carburador. Asegúrese de que el extremo de la funda protectora del cable esté bien colocado en el manguito.



2. Coloque el racor ranurado en el carburador de modo que el orificio para el cabezal del cable esté alejado del manguito ajustador del cable.
3. Gire la palanca del acelerador del carburador en el sentido de las agujas del reloj y deslice el cable del acelerador a través de la ranura en el racor ranurado, asegurándose de que el cabezal del cable esté colocado en el orificio.

4. Haga funcionar el gatillo del acelerador unas cuantas veces para asegurarse de que funciona correctamente.
5. Ajuste el manguito ajustador del cable de modo que el tope en la palanca del acelerador del carburador sólo haga contacto con el tope del acelerador y la posición del cable mantenga un huelgo de 1-2mm entre el cabezal del cable y los racors ranurados cuando el gatillo del acelerador esté totalmente pulsado.
6. Cuando el cable del acelerador esté ajustado correctamente, apriete la contratuercas.
7. Reinstale el tapa de filtro de aire.

Montaje del Protector

⚠ ADVERTENCIA

PELIGRO POTENCIAL

- Objetos no deseados pueden ser lanzados por la Recortadora.

QUÉ PUEDE PASAR

- Los objetos lanzados pueden causar heridas personales.

CÓMO PUEDO EVITAR ESTE PELIGRO

- No realice ningún trabajo sin el protector de la Recortadora en lugar correcto.

⚠ CUIDADO

PELIGRO POTENCIAL

- La cuchilla está muy afilada.

QUÉ PUEDE PASAR

- El contacto con la lámina podría causar cortes serios o daños corporales.

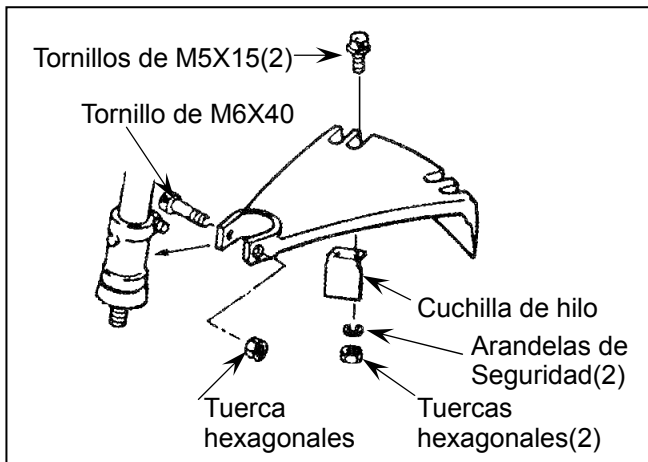
CÓMO PUEDO EVITAR ESTE PELIGRO

- Guarde las manos, los pies, y la ropa ausente de la lámina.

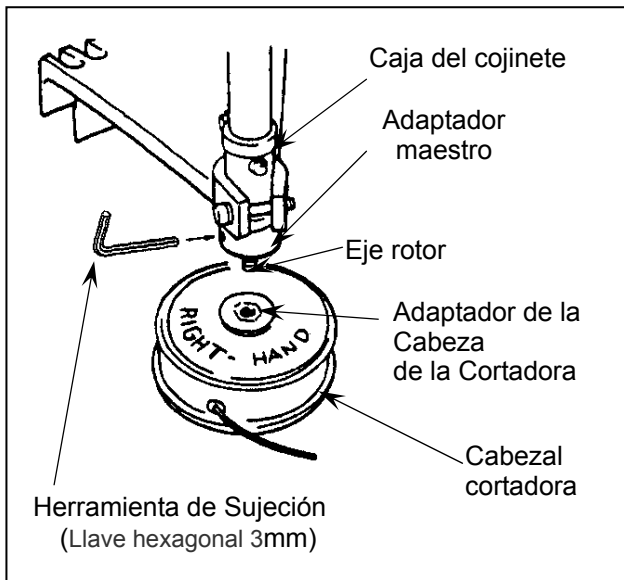
Protector de la Cuchilla

Protector para la Cabeza de Cortacésped

1. Sujete la cuchilla de hilo en el protector con dos tornillos de M5X15, arandelas de seguridad y tuercas hexagonales como se indica.
2. Empije el protector encima de la caja del cojinete. Instale tornillo de M6X40 y tuerca. Apriete SOLO CUANTO SEA NECESARIO.



Cabeza de Corte



IMPORTANTE: Asegúrese de que la cabeza cortadora es para GIRO A LA IZQUIERDA (Contrareloj) visto desde la posición de el usuario (operario) y que la cabeza cortadora es un adaptador macho, cable M8 giro a la izquierda.

1. Alinie la apertura en el adaptador maestro con la ranura guía en la caja de la recambios.
2. Inserte la llave hexagonal 3mm en el agujero del adaptador maestro y la ranura guía en la caja del equipo rotor para fijar el eje rotatorio.
3. Inserte la adaptadora del cabezal cortador en el eje rotor, después apriete el cabezal cortador con la mano.

Nota: La cabeza de la cortadora tiene rosca de giro a la izquierda.

4. Quite la llave hexagonal 3mm del adaptador maestro y de la caja de recambios.

! ADVERTENCIA

RIESGO POTENCIAL

- Si la cabeza de poda no está apretada adecuadamente, puede soltarse de la recortadora durante su utilización.

QUÉ PUEDE SUCEDER

- Esto puede provocar daños corporales.

CÓMO EVITAR EL PELIGRO

- Asegúrese de que la cabeza de la podadora está sujeta de forma segura al eje giratorio de la caja de engranajes.

ANTES DE UTILIZAR

Aceite y Combustible

PELIGRO

PELIGRO EN POTENCIA

- En ciertas condiciones la gasolina es un producto extremadamente inflamable y altamente explosiva.

QUÉ PUEDE PASAR

- Un fuego o una explosión puede quemarle a Usted o a terceras personas y puede dañar objetos de la propiedad.

CÓMO PUEDO EVITAR ESTE PELIGRO

- Use un embudo y proceda a llenar el tanque de combustible en el exterior, en espacios abiertos, cuando la gasolina este fría. Seque cualquier vertido de gasolina.
- No llene completamente el tanque. Añada gasolina en el tanque de gasolina hasta que esta llegue a 10 mm por debajo del cuello superior de llenado. Este espacio vacío en el tanque de gasolina deja que la gasolina se expanda.
- No fume nunca cuando manipule gasolina, y alejese de cualquier fuego abierto cuando manipule gasolina o l contenedor y manténgalo fuera del alcance de niños.
- No mezcle gasolina para más de dos meses de previsión de su uso.

1. No fume cerca del combustible.
2. Mezcle y vierta el combustible en espacios abiertos y donde no haya fuego o llamas.
3. Siempre apague el motor antes de proceder al llenado de combustible. Nunca quite la tapa del tanque de combustible de la Recortadora mientras el motor este funcionando o inmediatamente después de haber parado el motor.

ADVERTENCIA

QUÉ PUEDE PASAR

- El combustible puede salir disparado cuando Usted abre la tapa del tanque.

CÓMO PUEDO EVITAR ESTE PELIGRO

- Quite la tapa del tanque de combustible despacio para evitar que sufra cualquier daño a causa del combustible.

PELIGRO EN POTENCIA

- La gasolina contiene gases volátiles que pueden producir presión en el interior del tanque de combustible.

4. Abra siempre la tapa del combustible despacio para que la posible presión acumulada en el interior del tanque salga de una manera segura.
5. No sobrellene el tanque de combustible. Pare de verter combustible al llegar a 10 mm del borde superior del tanque.
6. Apriete la tapa del tanque de combustible con cuidado pero de manera segura después de haberlo relleno.
7. Seque cualquier vertido de combustible que pudiera haberse vertido antes de proceder al llenado.
8. Aleje la Recortadora/Desbrozadora como mínimo 10 pies (3 metros) del lugar de llenado de combustible y almacenaje del contenedor de combustible antes de arrancar el motor.

Tipo de Aceite Recomendado

Úsese solamente en aceite para motor de dos tiempos formulado para uso en motores de dos tiempos enfriados por aire de alto rendimiento. El aceite de 2 tiempos de marca Maruyama ha sido formulado para uso en motores de dos tiempos enfriados por aire, de alto rendimiento.

IMPORTANTE: No use aceites certificados por la Asociación de Fabricantes Marinos Nacional (NMMA) o BIA. Este tipo de aceite de motor de 2 tiempos no tiene los aditivos apropiados para los motores de 2 tiempos enfriados por aire y puede causar daños al motor.

No use aceite para automóviles. Este tipo de aceites no contiene los aditivos adecuados necesarios para el uso en motores de dos tiempos refrigerados por aire y pueden causar daños en el motor.

Tipo de combustible recomendado

Use gasolina sin plomo fresca y limpia, incluyendo gasolina oxigenada o reformada, con octanaje de 89 o mayor. Para asegurar la frescura, compre sólo la cantidad de gasolina que pueda ser usada dentro de 30 días. El uso de gasolina libre de plomo resulta en menores depósitos en la cámara de combustión y una vida de la bujía más prolongada. El uso de combustible de grado Premium no es necesario ni recomendado.

Uso de aditivos de combustible

IMPORTANTE: NUNCA USE ALCOHOL, GASOHOL QUE CONTENGA MÁS DE 10% DE ALCOHOL A QUE ESTO PODRÍA RESULTAR EN DAÑO AL SISTEMA DE COMBUSTIBLE DEL MOTOR.

NO USE ADITIVOS DE COMBUSTIBLE DISTINTOS DE AQUELLOS MANUFACTURADOS PARA LA ESTABILIZACIÓN DEL COMBUSTIBLE DURANTE EL ALMACENAMIENTO, TALES COMO EL ESTABILIZADOR / ACONDICIONADOR DE MARUYAMA O UN PRODUCTO SIMILAR. EL ACONDICIONADOR / ESTABILIZADOR DE MARUYAMA ES UN DESTILADO DE PETRÓLEO. MARUYAMA NO RECOMIENDA ESTABILIZADORES CON BASE DE ALCOHOL TALES COMO ETANOL, METANOL O ISOPROPILO. NO SE DEBERÍAN USAR ADITIVOS PARA INTENTAR MEJORAR LA POTENCIA O EL RENDIMIENTO DE LA MÁQUINA.

Mezcla de Gasolina y Aceite

IMPORTANTE: El motor usado en la Recortadora está diseñado como motor de dos tiempos. Las partes móviles internas del motor, ejemplo: los cojinetes del cigüeñal, cojinetes del pistón y el pistón, y las superficies de las paredes del cilindro, requieren aceite mezclado con gasolina como lubricante.

La ausencia por error de mezclar aceite con gasolina o el no añadir una proporción adecuada de aceite con la gasolina causará un daño al motor que no está cubierta en la garantía. Para su mezcla previa de combustible, use la mezcla de aceite de 2 tiempos Premium de Maruyama, o equivalente al aceite ISO-L-EGD y JASO FD con gasolina de alta calidad de mínimo de 89 octanos. El aceite de 2 tiempos de Maruyama está formulado especialmente para satisfacer los requerimientos de los motores de 2 tiempos enfriados por aire, de baja emisión y de alto rendimiento. El uso de otros aceites puede llevar a

problemas de servicio que podrían no ser cubiertos por su garantía.

Mezcla de combustible

Combustible: La relación es de 50 partes de gasolina por 1 parte de aceite o 50:1.



Nota: Nunca use una relación de mezcla de menos de 50:1 independientemente de las instrucciones de mezcla del paquete de aceite. Las relaciones de menos de 50:1 (por ejemplo; 60:1, 80:1, 100:1) reducen la cantidad de lubricación a las partes móviles internas del motor y pueden causar daños.

Diagrama de mezclas de combustible

Gasolina	Aceite de 2 tiempos, 50:1
1 galón	2.6 onzas
2 galóns	5.1 onzas
5 galóns	12.8 onzas
1 litro	20 ml
5 litros	100 ml

Instrucciones sobre la Mezcla

IMPORTANTE: No mezcle nunca el aceite con la gasolina en el tanque de combustible de la Recortadora directamente.

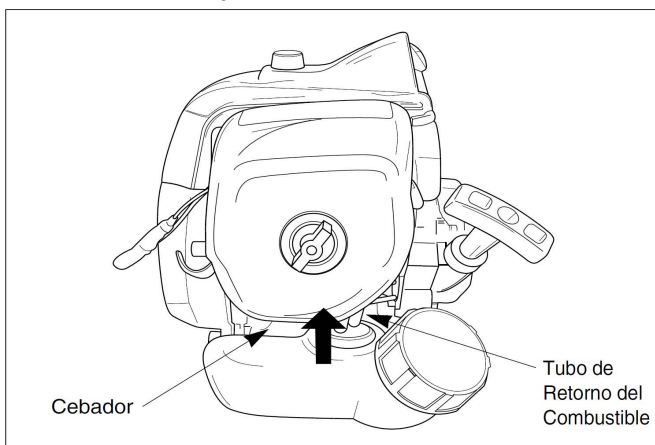
1. Siempre mezcle el combustible y el aceite en un contenedor limpio adecuado para gasolina.
2. Señale el contenedor para identificarlo como contenedor para la mezcla de gasolina con aceite para la Recortadora.
3. Use gasolina regular sin plomo y llene el contenedor con la mitad de gasolina requerida.
4. Vierta la correcta cantidad de aceite en el contenedor y después el resto de la cantidad de gasolina.

5. Cierre el contenedor de manera segura y agítelo por un instante para conseguir que el aceite se mezcle con la gasolina de manera apropiada antes de llenar el tanque de la Recortadora.
6. Cuando rellene el tanque de combustible de la Recortadora, limpie alrededor de la tapa del tanque para evitar que cualquier suciedad o partícula entre en el tanque de combustible cuando quitemos la tapa.
7. Siempre agite la pre-mezcla del contenedor de la mezcla antes de proceder al llenado del tanque.
8. Siempre use un embudo para proceder al llenado del tanque así evitará que se desparrame.
9. Llène solo hasta 1/4" to 1/2" (6 mm to 13 mm) de la parte superior del tanque. Evite llenar el tanque hasta el cuello de llenado.

ARRANQUE Y PARADA

Antes de Arrancar el Motor

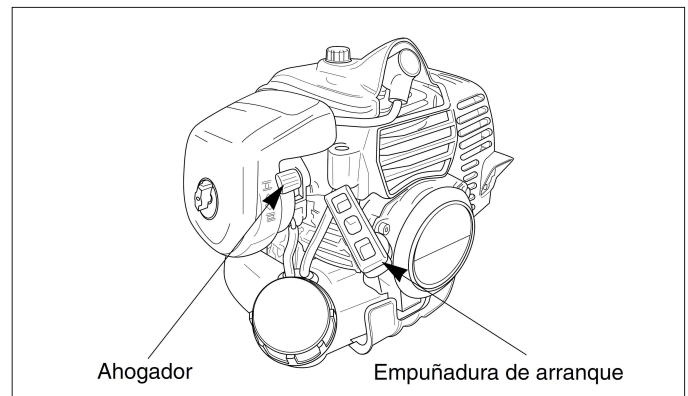
1. Llène el tanque de combustible de la manera indicada en la sección "Antes de Utilizar" este manual.
2. Deje la Recortadora apoyada sobre el suelo.
3. Asegúrese de que el dispositivo de corte esta libre de toda partícula como por ejemplo, cristales rotos, clavos, cables, rocas o otra clase de desechos.
4. Mantenga a personas, niños y animales alejados del area de trabajo.



Procedimiento para el Arranque en Frio

El carburador de este motor cuenta con un sistema cebador. Para arrancar un motor "en frio" de manera adecuada, siga el siguiente procedimiento:

1. Bombeé el cebador hasta que el combustible pueda verse a través del tubo de combustible y que este se dirija al tanque de combustible. La corriente de combustible deberá verse casi claramente, que no esté lleno de burbujas de aire.
2. Cierre la palanca del ahogador llevándola a la posición de cerrada.
3. Con el dispositivo de encendido en "ON" encendido, y el gatillo del acelerador en la posición de ralentí rápido, tire del cordel de arranque. Tire de la cuerda de arranque de retroceso hasta que se pueda ver la marca verde en la cuerda.



⚠ CUIDADO

- No tire el cordel de arranque hasta el fin.

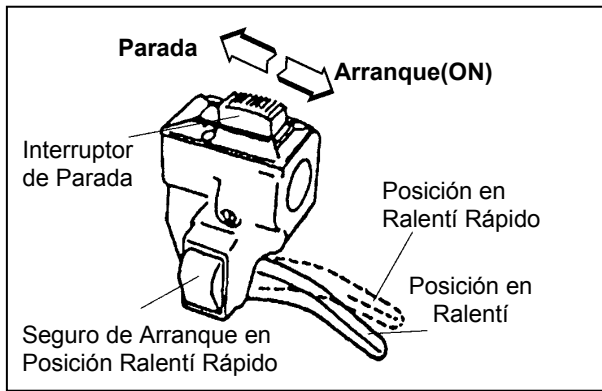
⚠ ADVERTENCIA

- No desarme el arrancador. Consulte con su ser vico autorizado MARUYAMA.

El motor rotará por la fuerza del principal resorte incorporado. No tire de la cuerda de arranque de retroceso rápidamente. Tire de la cuerda suavemente justo hasta que pueda ver la marca verde en la cuerda, y luego retórnela suavemente.

Después que el motor haya arrancado, lleve la palanca del ahogador a la posición de "Open" abierta.

Entonces accione y afloje el gatillo del acelerador para dejar que vuelva a la posición de ralentí. Si el motor se para, pon usted el acelerador en la posición de abierto "Open": Siga y abra el ahogador, tire de la palanca de arranque con el gatillo del acelerador puesto en posición en ralentí rápido "Fast Idle".



Arranque en Caliente

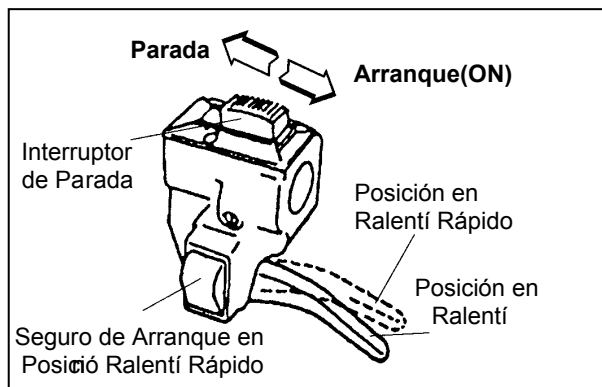
Para volver a arrancar el motor una vez de que éste caliente (arranque en caliente), o si la temperatura ambiental excede 68°F (20°C).

1. Ponga la palanca del ahogador en la posición de abierta “Open”, y ponga el dispositivo de arranque en la posición de arranque “ON”.
2. Deje el gatillo del acelerador en la posición de ralentí y tire de la empuñadura de arranque.
3. Si el motor no arranca después de tres o cuatro intentos, siga las instrucciones del procedimiento de arranque en Frio en la sección de arriba.

Si el motor tampoco arrancase siguiendo el procedimiento arriba descrito, póngase en contacto con el concesionario de MARUYAMA.

Para Parar El Motor

1. Suelte el gatillo del acelerador.
2. Ponga el dispositivo de parada en la posición “STOP” (parada).



Uso

⚠ ADVERTENCIA

PELIGRO POTENCIAL

- **Objetos no deseados pueden ser lanzados por la Recortadora.**
- #### QUÉ PUEDE PASAR
- **Los objetos lanzados pueden causar heridas daños personales.**
- #### CÓMO PUEDO EVITAR ESTE PELIGRO
- **No realice ningún trabajo sin el protector de la Recortadora en lugar correcto.**

⚠ CUIDADO

- **Lea las instrucciones de seguridad en la página ES-6 con respecto al uso de la Recortadora.**

Posición de funcionamiento del recortadora

Antes de usar la recortadora, verifique lo siguiente:

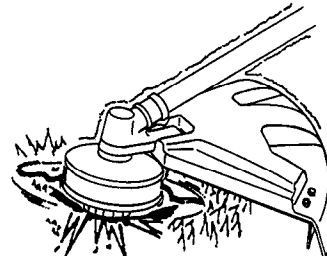
1. Asegúrese que la herramienta de retención de (llave hexagonal 3 mm) ha sido removido de la caja de engranaje y el adaptador de protuberancia antes de arrancar el motor.



2. El recortadora debe estar en el lateral derecho del operario.
3. La mano derecha del operario debe sujetar el agarre del eje, con los dedos en el accionador del acelerador. El brazo derecho debe estar ligeramente doblado.

4. La mano izquierda debe sujetar el manillar en forma de bucle con los dedos y el pulgar completamente cerrados alrededor del agarre. El brazo izquierdo puede extenderse. Coloque de nuevo el Manillar en Forma o abajo el árbol motor a e l la posición más cómoda.
5. El peso del Cortacésped debe distribuirse por igual entre los brazos. El accesorio de corte debe estar cerca y paralelo al suelo.
6. Acelere y mantenga el motor a la velocidad de corte antes de introducir hierba para cortarla.
7. Suelte siempre el accionador del acelerador y deje que el motor vuelva a la velocidad de ralentí cuando no esté cortando.
8. Pare el motor cuando se desplace de un lugar de trabajo a otro.

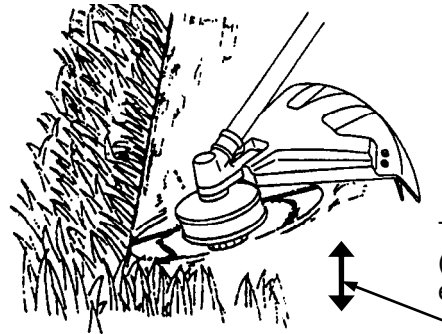
- No haga presión con el cable sobre el material a cortar. Si fuerza el cable producirá que este golpee el material, teniendo que utilizar más cable y consiguiendo peores resultados.



INCORRECT

Cortando

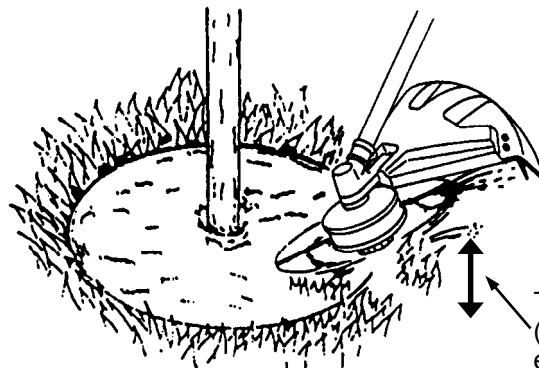
Mantenga la parte inferior del cabezal cortador de entre 5-10cm sobre el suelo con un cierto ángulo de inclinación. Deje que la punta del cable efectúe el corte y no otra parte.



Tres inchs
(7.6cm) sobre
el suelo

Recortando

Para cortar vegetación no deseada, mantenga el cabezal cortador de entre 5-10cm sobre el suelo y con un cierto ángulo de inclinación. Deje que la punta del cable que golpee la superficie haciendo que esta parte del cable corte la vegetación de la superficie deseada.



Tres inchs
(7.6cm) sobre
el suelo

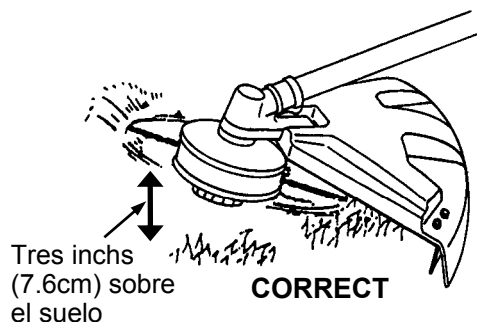
⚠ CUIDADO

- Siempre use guantes y ropa de protección cuando opere la recortadora.

- Si el accesorio de corte se atasca, detenga inmediatamente el motor.
- Cerciórese que todas las partes móviles se hayan detenido y desconecte la bujía antes de inspeccionar los equipos por daños.
- Nunca use una recortadora que tenga un accesorio de corte picado, quebrado o roto.

Cortando con el cabeza de corte

- La punta del cable es la parte que produce el corte. El cable debe estar extendido cuando está cortando.

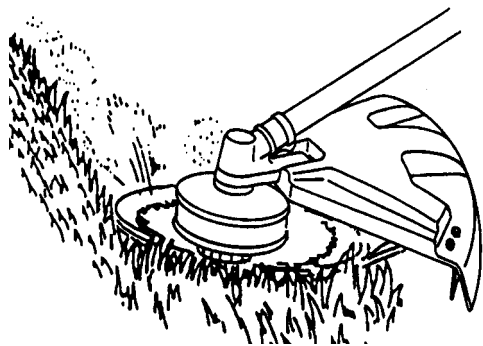


CORRECT

Tres inchs
(7.6cm) sobre
el suelo

Pega Segar

Mantenga el cable paralelo a la superficie del suelo y haga un movimiento de lado a lado sin brusquedades.



Mantenimiento

El mantenimiento, reemplazo o reparación de los dispositivos y sistemas de control de emisiones puede ser efectuado por un taller especializado o individuo; sin embargo, las reparaciones bajo la garantía deben ser efectuadas por un distribuidor o centro de servicio autorizado por Maruyama Manufacturing Company, Inc. El uso de las partes que no sean equivalentes en rendimiento y durabilidad a las partes autorizadas puede inhabilitar la efectividad del sistema de control de emisiones y pueden tener un efecto sobre el resultado del reclamo de la garantía.

Ajuste de la Velocidad del Ralentí

Esta Recortadora está equipada con un carburador para mezcla de combustible no-ajustable. La velocidad del ralentí es la única parte ajustable por el operario.

⚠ CUIDADO

PELIGRO POTENCIAL

- El motor debe estar en funcionamiento para proceder a ajustes.
- Cuando el motor está en funcionamiento, las partes conectadas están en movimiento.

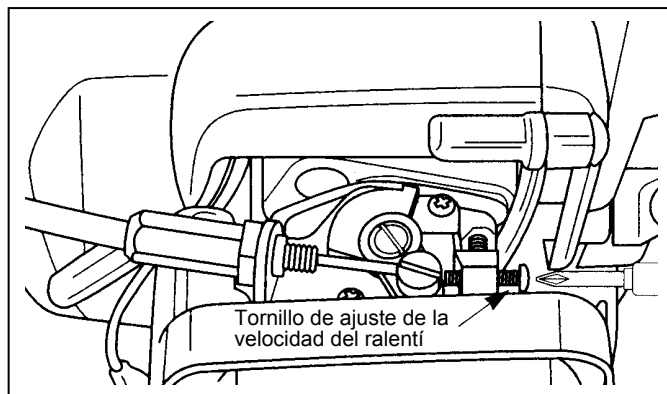
QUÉ PUEDE PASAR

- Un contacto directo con la herramienta suplemento o con otras partes en movimiento pueden causar una grave lesión en las personas o la muerte.

CÓMO PUEDO EVITAR ESTE PELIGRO

- Mantenga manos, pies y la vestimenta alejada de la herramienta-suplemento y otras partes en movimiento.
- Mantenga a terceras personas y a animales fuera del alcance de la unidad mientras haga ajustes.

El accesorio de corte puede que esté en movimiento durante el ajuste de la velocidad del ralentí. Use el equipo de protección personal recomendado y tenga en cuenta todas las instrucciones sobre seguridad. Mantenga manos y cuerpo fuera del alcance de la herramienta incorporada (cuchilla, etc). Cuando el gatillo del acelerador no está siendo presionado, el motor deberá volver a la velocidad de ralentí. La velocidad correcta del ralentí es de 2700-3300 RPM (o justo por debajo de la velocidad del embrague).



La herramienta conectada no tienen que estar en movimiento y el motor no debe calarse (pararse) a la velocidad de ralentí. Para ajustar la velocidad del ralentí, gire el tornillo de ajuste del ralentí localizado sobre el carburador.

Gire el tornillo de ajuste del ralentí (hacia la derecha) para incrementar la velocidad del ralentí del motor.
Gire el tornillo de ajuste del ralentí (hacia la izquierda) para disminuir la velocidad del ralentí del motor.

Si el ajuste de la velocidad del ralentí es necesario, y si después de su ajuste la herramienta cortadora incorporada a la unidad gira o el motor se cala, ¡pare la Recortadora inmediatamente!

Póngase en contacto con el concesionario autorizado por Maruyama para que le asista.

Filtro del Aire

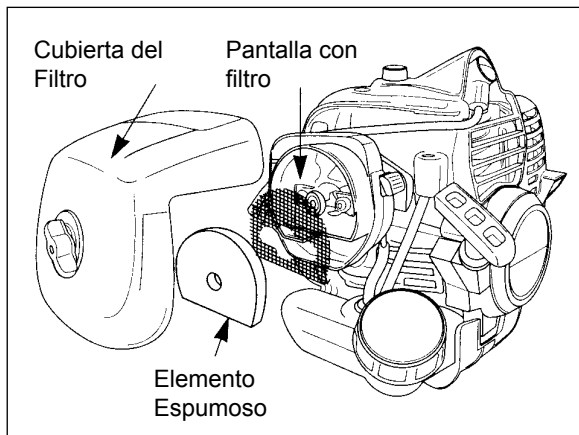
Periodos en los que es Necesario Verificar

- El filtro del aire debe ser limpiado diariamente, o más a menudo cuando se trabaja en un entorno en donde haya mucho polvo.
- Repóngalo cada 100 horas de trabajo.

Limpeza del Filtro del Aire

1. Suelte el pomo y quite la tapa del filtro de aire.

2. Quite el elemento de material espumoso y la pantalla con filtro.
3. Limpie el elemento de material espumoso con agua templada ligeramente enjabonada. Deje lo secar completamente.
4. Aplique una ligera capa de aceite de motor SAE 30 al elemento espumoso y quite el exceso de aceite haciendo presión sobre el mismo.
5. Vuelva a montar el elemento espumoso, la pantalla con filtro y la cubierta del filtro del aire.



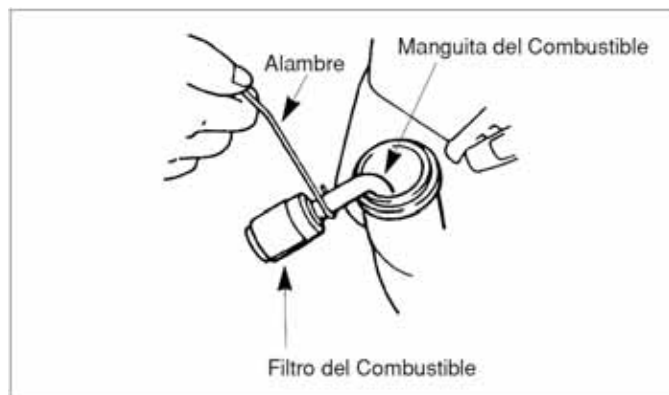
Filtro del Combustible

Periodos en los que es Necesario Verificar

El filtro del combustible debe ser cambiado cada 100 horas de trabajo.

Cambio del Filtro de Combustible

El filtro del combustible está fijado en el extremo de la manguita para el combustible, dentro del tanque. Para cambiar el filtro del combustible:



1. Asegúrese que el tanque de combustible está vacío.

2. Quitar la tapa del tanque de combustible.
3. Usando un gancho de alambre, saque cuidadosamente el filtro del combustible a través de la boca del tanque.
4. Agarre la manguita del combustible que esta cerca del filtro de combustible y quite el filtro del combustible, pero no suelte la manguita.
5. Mientras tiene la manguita con la mano, reponga el nuevo filtro.
6. Ponga el nuevo filtro en la posición original dentro del tanque.
7. Asegúrese de que el filtro no está atascado en la esquina del tanque, y de que la manguita del combustible no esta doblada antes de rellenar el tanque de combustible.

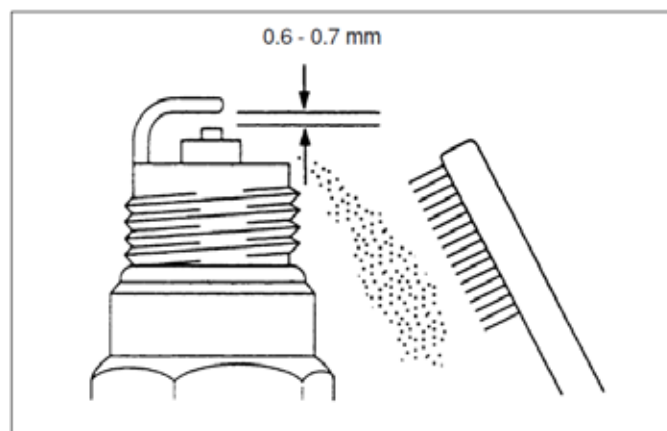
Bujía

Periodos en los que es Necesario Verificar

- La bujía debe ser desmontada del motor y debe ser verificada cada 25 horas de trabajo.
- Cambie la bujía cada 100 horas de trabajo.

Mantenimiento de la Bujía

1. Mueva la pipa de alta tensión de la bujía de atrás adelante una cuantas veces para que está se aligere y saquela fuera de la bujía.
2. Quite la bujía.
3. Limpie los electodos con un cepillo duro.
4. Ajuste la distancia del electrodo de tal manera que quede de entre 0.6 - 0.7 mm de distancia.



5. Cambie la bujía si está sobre engrasada, dañada o si los electrodos están desgastados.
6. No apriete demasiado la bujía cuando la monte sobre el motor. La fuerza de torque es de 10.7-16.6 N·m.

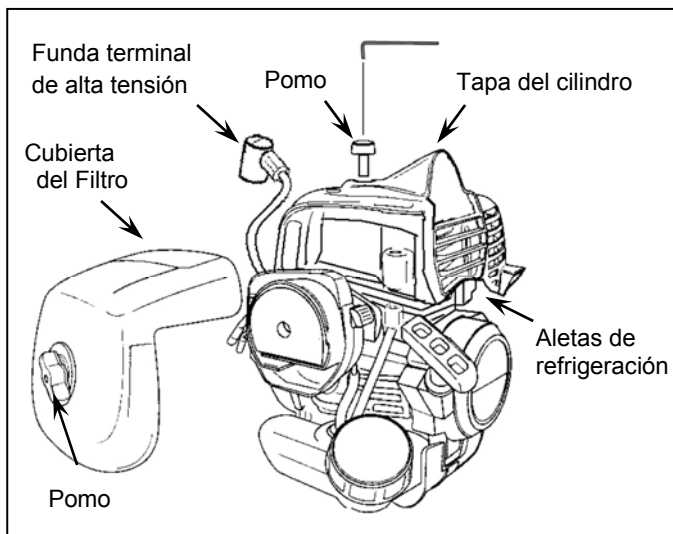
Aletas del cilindro de refrigeración

Intervalo de mantenimiento

- Las aletas del cilindro de refrigeración deben limpiarse cada 25 horas de funcionamiento o una vez a la semana, lo que se produzca primero.
- El aire debe fluir libremente alrededor y a través de las aletas del cilindro de refrigeración para evitar que el motor se recaliente. La acumulación de hojas, césped, suciedad y desechos en las aletas aumentará la temperatura de funcionamiento del motor, lo que puede reducir el rendimiento del motor y acortar la vida del motor.

Limpeza de las aletas de refrigeración

1. Con el motor a la temperatura ambiente (de la sala), suelte el pomo y remueva la cubierta del filtro.
2. Tuerza la funda terminal de alta tensión sobre la bujía hacia la frente y atrás un par de veces para aflojar la funda y entonces sacarla de la bujía.
3. Afloje el pomo y levante la tapa del cilindro.
4. Limpie toda la suciedad de las aletas refrigeradoras y de la base del cilindro.
5. Reinstale el cilindro y las cubiertas de filtro de aire.



Protección contra las chispas

⚠ ADVERTENCIA

PELIGRO POTENCIAL

- La superficie del silenciador se calienta cuando la recortadora está en operación y permanece caliente por algún tiempo después que el motor se ha apagado.

QUÉ PUEDE SUCEDER

- El contacto con la superficie del silenciador caliente podría causar una quemadura.

MANERA DE EVITAR EL PELIGRO

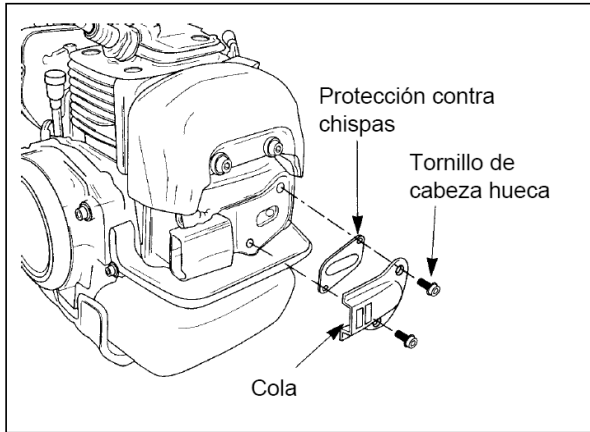
- Asegúrese que el silenciador esté frío antes de inspeccionar y limpiar la protección contra chispas.

Intervalo de mantenimiento

- La protección contra chispas debería ser inspeccionada y limpiada después de cada 25 horas de uso.
- Reemplace la pantalla si se no puede ser limpiada, o si está dañada.

Mantenimiento de la protección contra chispas

1. Con el motor a la temperatura ambiente (de la sala), suelte el pomo y remueva la cubierta del filtro.
2. Tuerza la funda terminal de alta tensión sobre la bujía hacia la frente y atrás un par de veces para aflojar la funda y entonces sacarla de la bujía.
3. Afloje el pomo y levante la tapa del cilindro.
4. Remueva y limpie la cola, la empackadura y la protección contra chispas con un solvente seguro y un cepillo duro. Si no es posible limpiar bien alguna parte, reemplázala.
5. Reinstale tanto la protección contra chispas como la cola en el silenciador, y reinstale e ajuste los dos tornillos de cabeza hueca.
6. Reinstale el cilindro y las cubiertas de filtro de aire.



Silenciador de escape

Intervalo de mantenimiento

El silenciador debe ser inspeccionado y limpiado después de 100 horas de uso.

Mantenimiento del silenciador

1. Con el motor a la temperatura ambiente (de la sala), suelte el pomo y remueva la cubierta del filtro.
2. Tuerza la funda terminal de alta tensión sobre la bujía hacia la frente y atrás un par de veces para aflojar la funda y entonces sacarla de la bujía.
3. Afloje el pomo y levante la tapa del cilindro.
4. Remueva la protección contra chispas (refiérase al mantenimiento de la protección contra chispas). Limpie el silenciador con un cepillo duro.

IMPORTANTE: No usar solvente para la limpieza interna del silenciador, ya que el conversor catalítico está dentro del silenciador.

Tomar cuidado para no dejar que suciedad o residuos caigan dentro del conducto de escape, puesto que esto puede causar daños al motor.

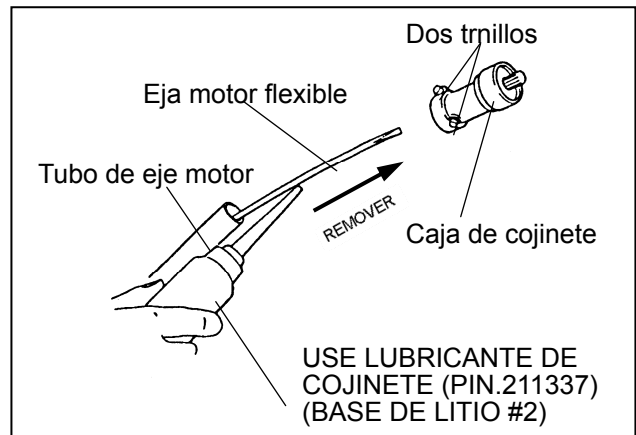
5. Reinstale la trampa de chispas y la cola en el silenciador y entonces reinstale y ajuste los dos tornillos de cabeza hueca.
6. Reinstale el cilindro y las cubiertas de filtro de aire.

Eje motor flexible

Intervalo de mantenimiento

El eje motor flexible debe ser lubricado después de cada 30 horas de operación.

Lubricación del eje motor



Suelte los dos tornillos en la caja de cojinetes y extraígalos. El eje motor flexible interno es fácilmente extraído tomando el extremo firmemente y tirándolo desde el tubo del eje motor. Lubrique la longitud completa del eje motor flexible e insértelo en el tubo del eje motor. Tuerza el eje flexible mientras empuja para asegurarse que se asiente correctamente en el acoplador del eje motor. Reinstale la caja de cojinetes en el tubo del eje motor y apriete los dos tornillos.

El general limpiando y apretándose

⚠ ADVERTENCIA

PELIGRO EN POTENCIA

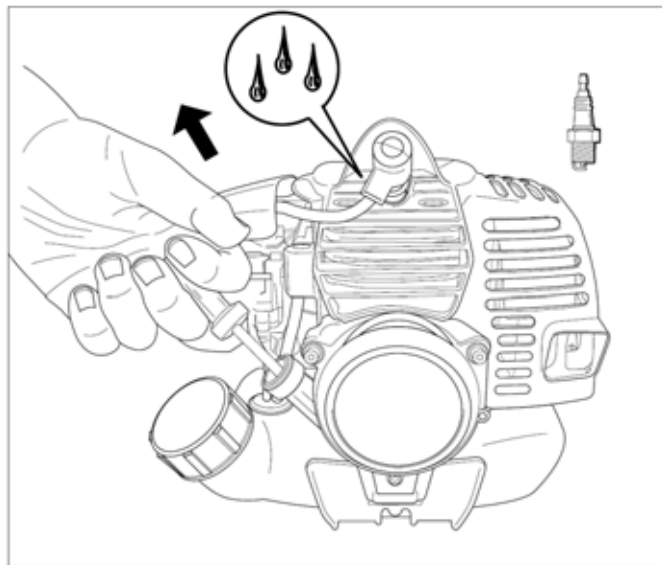
- Cuando el motor está en funcionamiento, las herramienta cortadora y otras partes están en movimiento.

QUÉ PUEDE PASAR

- Un contacto con las pieza ajustada al rotor u otras partes de la unidad pueden causar serias lesiones en las personas o la muerte.

QUÉ PUEDO HACER PARA EVITAR ESTE PELIGRO

- Pare siempre el motor de la Recortadora de proceder a su limpieza o cualquier tipo de mantenimiento en la unidad.



La Cortadora de hierba de Maruyama ofrece un máximo rendimiento durante muchas, muchas horas si se aplica un trabajo de mantenimiento adecuado. Un correcto trabajo de mantenimiento incluye una verificación regular de que todas las piezas están ajustadas correctamente, así como la limpieza de la maquina en su conjunto.

Almacenaje

Para proceder a almacenar la Recortadora durante un largo periodo de tiempo:

1. Vacie el tanque del combustible y vierta el contenido en un contenedor para su adecuado almacenaje.
2. Ponga en funcionamiento el motor para vaciar totalmente el combustible que pueda haber en el carburador.
3. Proceda a efectuar todas las labores de mantenimiento regulares y a la reparación de cualquiera de sus partes que necesiten dicha reparación.
4. Desmonte la bujía y vierta una pequeñísima cantidad de aceite de motor en el cilindro.
5. Tire de la empuñadura de arranque una vez.
6. Tire de la empuñadura de arranque despacio para que el pistón se posicione en el borde superior del cilindro (TDC).
7. Vuelva a colocar la bujía.
8. Almacene la Recortadora en lugar seco y lejos de toda fuente de calor, llamas o fuego.

⚠ CUIDADO

PELIGRO EN POTENCIA

- Puede que una cantidad de aceite le salpique desde la apertura de la bujía cuando intente tirar de la empuñadura del arranque.

QUE PUEDE PASAR

- El aceite puede producir lesiones oculares.

CÓMO PUEDE EVITAR ESTE PELIGRO

- Proteja sus ojos y mantenga su cara alejada de la apertura de la bujía.

Problemas

Problema	Causa	Qué se debe hacer
El motor no arranca	El interruptor de parada ("Stop") está en posición de parada ("off") Tanque vacío El motor está inundado	Mueva el interruptor a la posición "On" Llene el depósito Siga el procedimiento de arranque de motor en caliente
Problema de ralentí	La velocidad del ralentí es incorrecta	Vuelva a ajustar el ralentí
Al motor le falta fuerza, se ahoga/cala cuando corta	El cable del acelerador no está tensado El filtro del aire está sucio Protector contra chispas u orificio de escape tapados.	Tense el cable del acelerador Limpie el filtro del aire o cámbielo Limpie el protector contra chispas u orificio de escape.

Si necesita mayor ayuda póngase en contacto con el concesionario autorizado por Maruyama.

ESPECIFICACIONES

MODEL	B23C
Peso seco *1. (lbs)	*19.9 (4.5kg)
Desplazamiento del motor (cm ³)	22.5
Contra vibración	Montura del motor
Carburador de tipo diafragma	Walbro Diaphragm type
Encendido	Sistema de estado sólido
Capacidad del tanque de combustible (qts.)	0.63 (0.6ℓ)
La gasolina para engrasar la proporción	50:1
Bujía	NGK BPM8Y
Luz entre electrodos (in.)	.024 -.028 (0.6 - 0.7 mm)
EPA y CARB Aprobado	Phase3, Tire 3

Durabilidad de emisión de 300 horas. *1. Peso seco sin combustible, cinta ni accesorio de corte.

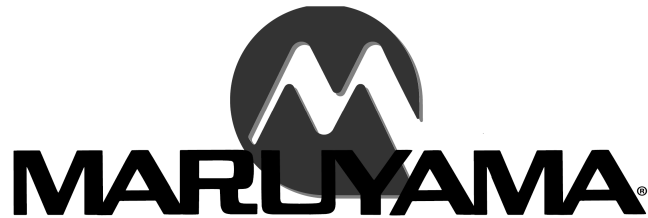
Período de mantenimiento

Mantenimiento	Diario	Cada 25 horas	Cada 50 horas	Cada 100 horas
Verificación y relleno de combustible	●			
Verificación por filtración de combustible	●			
Verificación de los pernos, tuercas y tornillos por apriete o falta	●			
Comprobar el ajuste de ralentí del motor	●			
■ Limpie el elemento de filtro de aire	●			
Limpie la bujía y ajuste la luz del electrodo		●		
■ Remueva el polvo y la suciedad de las aletas del cilindro		●		
● Limpie el protector contra chispas		●		
Apriete de los pernos y tuercas			●	
● Remueva los depósitos de carbón en el orificio de escape			●	
Reemplace el filtro de combustible				●
● Remueva los depósitos de carbón en la culata y la cámara de combustión				●
● Remueva los depósitos de carbón en los orificios de transferencia				●
Reemplace el tubo de combustible, la empaquetadura de la tapa del tanque de combustible	Se recomienda reemplazar cada 3 años			

●: El servicio debe ser efectuado por un distribuidor de motores de Maruyama autorizado.

■: Efectúe el servicio más frecuentemente bajo condiciones polvorientas.

NOTA: Los intervalos de servicio indicados deben ser usados como guía. El servicio debe ser efectuado de manera más frecuente en la medida de lo necesario, dependiendo de la condición de operación. Use aceite de motor de dos tiempos, 50:1 estándar.



Déclaration de garantie limitée

Les produits commerciaux et industriels Maruyama sont garantis à l'acheteur initial contre tout vice de matière ou vice de fabrication, à **partir de la date d'achat**, et ce, pour les durées suivantes :

Garantie à vie pour l'arbre de transmission interne des taille-bordures et des débroussailleuses et pour l'ensemble des modules d'allumage.

3 ans pour utilisation résidentielle, domestique, non lucrative.

1 an pour utilisation industrielle, commerciale, publique, en location et lucrative.

Les moteurs Maruyama de la série AE et Kawasaki TEX45/TEX54 bénéficient exclusivement d'une couverture supplémentaire d'un an dans le cadre d'une utilisation industrielle, commerciale, publique, en location et lucrative (2 ans au total). Pour les autres moteurs, reportez-vous à la déclaration de garantie du fabricant correspondant.

En cas de défectuosité d'une pièce au cours de la période de garantie, Maruyama, à sa discrétion, sera tenu de la changer ou de la remplacer gratuitement. L'évaluation de la garantie est obtenue en délivrant le produit Maruyama qui semble être défectueux au Service technique d'un distributeur Maruyama agréé dans la période de garantie.

L'acheteur sera exonéré des frais de diagnostic d'une pièce sous garantie si ledit diagnostic est effectué dans un centre de distribution Maruyama agréé

Le remplacement d'une pièce sous garantie non prévu dans le plan de maintenance requise, ou programmé uniquement dans le cadre de la révision ordinaire en vue de sa "réparation ou remplacement si nécessaire" sera couvert pendant la période de garantie. Toute pièce sous garantie remplacée dans le cadre de la maintenance requise est garantie pendant la période précédant le premier point de remplacement prévu pour cette pièce. Maruyama Mfg. Co., Inc. sera tenu responsable des dommages aux autres composants du moteur causés par la défaillance d'une pièce encore sous garantie. Il incombe au propriétaire d'effectuer la maintenance requise, comme décrit par Maruyama Mfg. Co., Inc. dans le manuel du propriétaire/ de l'utilisateur.

GARANTIE DES PIÈCES LIÉES AUX ÉMISSIONS: Outre la couverture de garantie stipulée ci-dessus, Maruyama Mfg. Co., Inc. se chargera de la réparation ou du remplacement, sans frais supplémentaire pour l'acheteur initial et les sous-acquéreurs, d'une pièce liée aux émissions s'avérant défectueuse pour vice de matières et vice de fabrication, pendant une durée de deux ans (2) à compter de la date de livraison par le détaillant d'origine, **excepté le pot catalytique. Le pot catalytique est garanti pour une durée d'un à partir de la date de livraison par le détaillant d'origine. Les pièces liées aux émissions couvertes par la garantie sont : le carburateur, le système d'allumage, le rotor de distributeur, la bougie et le pot catalytique.** Toute pièce de rechange qui est de prestations et de durabilité équivalentes peut être utilisée dans des interventions de maintenance ou de réparations hors garantie, et elle ne réduira pas les obligations de garantie de Maruyama Mfg. Co., Inc.

Cette garantie ne couvre pas les conditions suivantes :

1. Eléments de maintenance (à l'exception des vices de matière et vices de fabrication) y compris les tuyaux flexibles, bougies, câbles de démarreur, filtres à air et à carburant, masselottes d'embrayage, iso-lateurs de vibration, câbles d'accélérateur et dispositifs de coupe, etc.
2. Frais additionnels incluant l'envoi et la manutention, le déplacement, les indemnités pour temps d'inactivité ou de nuisance et d'entreposage.
3. Ajouts ou modifications de pièces de marchés secondaires non autorisées par Maruyama U.S., Inc.
4. Toute défaillance causée par l'usure, un accident, une négligence, une utilisation abusive, des carburants, lubrifiants et mélanges de carburants (le cas échéant) inappropriés, ou une utilisation ou un entre-tien défectueux du produit découlant du non-respect des instructions fournies par Maruyama.

La réparation ou le remplacement tel que stipulé dans la présente garantie est la solution unique de l'utilisateur. Maruyama ne saurait être tenu responsable des dommages accessoires ou indirects dus à un manquement exprès ou implicite à la garantie de ces produits, sous réserve des limites établies par la loi en vigueur. Toute garantie tacite de qualité marchande ou d'aptitude à un but particulier pour ce produit est limitée par la durée de cette garantie, telle que définie dans la déclaration de garantie limitée. Maruyama se réserve le droit de modifier ou d'améliorer le design du produit sans préavis et décline toute obligation de mettre à jour les produits préalablement fabriqués.

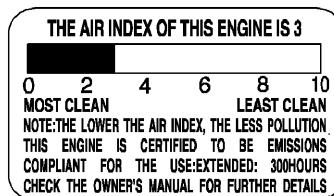
Cette garantie vous offre des droits juridiques spécifiques susceptibles de varier selon la législation particulière d'un État. Il incombe au propriétaire et au revendeur de remplir correctement la carte d'enregistrement de la garantie et de l'adresser à la société Maruyama U.S., Inc. Une preuve d'achat et de l'enregistrement sera requise en vue de bénéficier du service de garantie.

Pour localiser le distributeur Maruyama agréé le plus proche, contactez :

Maruyama U.S., Inc.
4770 Mercantile Drive, suite 100,
Fort Worth, TX 76137 U.S.A.
(940)383-7400
maruyama@maruyama-us.com
www.maruyama-us.com

⚠ WARNING: ⚠

The engine exhaust from this product contains chemicals known to the State of California to cause cancer, birth defects or other reproductive harm.



B23C

DÉCLARATION DE GARANTIE DU CONTRÔLE DES ÉMISSIONS DE L'ÉTAT FÉDÉRAL. DROITS ET OBLIGATIONS DÉRIVÉS DE LA GARANTIE

L'Agence de Protection environnementale des États-Unis (EPA) et Maruyama Manufacturing Company, Inc. ont le plaisir d'expliquer la **garantie du système de contrôle des émissions** concernant votre petit moteur hors route. Les nouveaux petits moteurs hors route modèles 1997 et ultérieurs doivent être conçus, fabriqués et équipés, au moment de la vente, en vue de respecter les réglementations de l'EPA des États-Unis en matière de petits moteurs hors route. Le moteur de l'appareil ne doit présenter aucun vice de matière, ni vice de fabrication susceptibles d'entraver sa conformité aux normes de l'EPA des États-Unis au cours des deux premières années d'utilisation du moteur, à partir de la date de vente jusqu'au dernier acquéreur. Maruyama Manufacturing Company, Inc. doit garantir le système de contrôle des émissions de votre petit moteur hors route pour la durée indiquée ci-dessus, sous réserve de l'absence d'abus, de négligence ou d'entretien incorrect de celui-ci.

Période de durabilité des émissions : 300 heures.

Votre système de contrôle des émissions doit inclure des pièces telles que le carburateur ou le système d'injection, le système d'allumage, et le pot catalytique. Il doit également inclure les tuyaux flexibles, courroies, et connecteurs, ainsi que les autres systèmes liés aux émissions. Toute pièce sous garantie de votre petit moteur hors route sera gratuitement réparée par Maruyama Manufacturing Company, Inc., y compris le diagnostic (s'il est effectué dans un centre agréé), les pièces et la main d'oeuvre.

COUVERTURE DE GARANTIE DU FABRICANT :

Les petits moteurs hors route modèles 1997 et ultérieurs sont garantis pendant deux ans. Si une pièce de votre moteur liée aux émissions s'avère défectueuse, la pièce sera réparée ou rem-placée gratuitement par Maruyama Manufacturing Company, Inc.

RESPONSABILITÉS DU PROPRIÉTAIRE LIÉES À LA GARANTIE :

(a) En tant que propriétaire de petit moteur hors route, vous êtes tenu de réaliser la maintenance requise indiquée dans votre manuel du propriétaire/ de l'utilisateur. Maruyama Manufacturing Company, Inc. vous recommande de conserver tous vos reçus concernant l'entretien de votre petit moteur hors route, toutefois Maruyama Manufacturing Company, Inc. ne saurait refuser la garantie uniquement en l'absence de reçus ou de la non-réalisation de tous les travaux d'entretien programmés. Toute pièce de rechange ou service qui sont de prestations et de durabilité équivalentes peuvent être utilisés dans des interventions d'entretien ou de réparations hors garantie, sans pour autant réduire les obligations de garantie du fabricant du moteur.

- (b) En tant que propriétaire de petit moteur hors route, vous devez néanmoins savoir que Maruyama Manufacturing Company peut vous refuser la couverture de la garantie si la panne de votre petit moteur hors route ou d'une pièce quelconque sont dus à un abus, à une négligence, à un entretien incorrect ou à des modifications non approuvées.
- (c) Vous êtes tenu de présenter votre petit moteur hors route dans un centre de distribution de Maruyama Manufacturing Company, Inc. dès qu'un problème survient. Les réparations sous garantie doivent être réalisées dans un délai raisonnable de 30 jours. Si vous avez des questions concernant vos droits et obligations liés à la garantie, vous devez contacter Maruyama U.S., Inc. en appelant le n°1-866-783-7400, ou warranty@maruyama-us.com.

COUVERTURE

Maruyama Manufacturing Company, Inc. garantit à l'acheteur initial et aux sous-acquéreurs que le petit moteur hors route sera conçu, fabriqué et équipé, au moment de la vente, en vue de respecter toutes les réglementations en vigueur. Maruyama Manufacturing Company, Inc. garantit également à l'acheteur initial et aux sous-acquéreurs que le petit moteur hors route ne présente aucun vice de matière, ni vice de fabrication susceptibles d'entraver sa conformité aux réglementations en vigueur pendant une durée de deux ans.

L'EPA oblige les fabricants de ce type de moteurs à respecter les réglementations pendant deux ans. Ces périodes de garantie commenceront à la date d'achat du petit moteur hors route par l'acheteur initial. En cas de défectuosité de l'une des pièces de votre moteur liée aux émissions, celle-ci sera remplacée gratuitement par Maruyama Manufacturing Company, Inc.

Maruyama Manufacturing Company, Inc. doit réparer ou remplacer toute pièce défectueuse encore sous garantie dans l'un des centres agréés ou de garantie de Maruyama Manufacturing Company, Inc. Tout travail autorisé effectué dans l'un des centres de distribution agréé ou de garantie doit être gratuit s'il est avéré qu'une pièce sous garantie est défectueuse. Il faut utiliser une pièce de remplacement approuvée par le fabricant ou équivalente lors d'une intervention de maintenance ou de réparation de pièces liées aux émissions, couvertes par la garantie. Ces interventions seront gratuites si la garantie est toujours valide. Maruyama Manufacturing Company, Inc. sera tenu responsable des dommages aux autres composants du moteur causés par la défaillance d'une pièce encore sous garantie.

EPA considère que les pièces liées aux émissions sous garantie doivent inclure toutes les pièces énumérées ci-dessous. Ces pièces sous garantie sont : le carburateur, **le système d'al-lumage, le rotor de distributeur, la bougie, le pot catalytique et le réservoir de carburant.**

MAINTENANCE NÉCESSAIRE

Le propriétaire est tenu de réaliser la maintenance requise telle que définie par Maruyama Manufacturing Company, Inc. dans le manuel du propriétaire/ de l'utilisateur.

LIMITATIONS

Cette garantie du système de contrôle des émissions ne couvrira aucune des conditions suiv-antes

- (a) réparation ou remplacement d'une pièce consécutivement à une utilisation abusive ou à une négligence, au manquement à la maintenance requise, à des réparations inappropriées ou à des remplacements non conformes aux caractéristiques techniques de Maruyama Manufacturing Company, Inc. susceptibles d'affecter les performances et/ou la durabilité de l'appareil, et aux ajouts ou modifications non recommandés ni approuvés par écrit par Maruyama Manufacturing Company, Inc., et
- (b) remplacement de pièces et d' autres services, réglages nécessaires dans le cadre de la maintenance requise et après le premier point de remplacement programmé.

DÉCLARATION DE GARANTIE DU CONTRÔLE DES ÉMISSIONS DE LA CALIFORNIE. DROITS ET OBLIGATIONS DÉRIVÉS DE LA GARANTIE

Le Comité des ressources de l'air de la Californie (CARB), et Maruyama Manufacturing Company, Inc. ont le plaisir d'expliquer la garantie du système de contrôle des émissions concernant votre petit moteur hors route 2013. En Californie, les nouveaux petits moteurs hors route doivent être conçus, construits et équipés en vue de respecter les normes anti-pollution strictes de l'Etat. Maruyama Manufacturing Company, Inc. doit garantir le système de contrôle des émissions concernant votre petit moteur hors route pour la durée indiquée ci-dessus, sous réserve qu'il n'y a pas eu d'abus, de négligence ou d'entretien incorrect de celui-ci.

Votre système de contrôle des émissions doit inclure des pièces telles que le carburateur ou le système d'injection, le système d'allumage, le réservoir de carburant et le pot catalytique. Il doit également inclure les tuyaux flexibles, courroies, et connecteurs, ainsi que les autres systèmes liés aux émissions.

Toute pièce sous garantie de votre petit moteur hors route sera gratuitement réparée par Maruyama Manufacturing Company, Inc., y compris le diagnostic, les pièces et la main d'oeuvre.

COUVERTURE DE GARANTIE DU FABRICANT :

Les petits moteurs hors route modèles 1995 et ultérieurs sont garantis pendant deux ans. En cas de défectuosité d'une pièce de votre moteur liée aux émissions, celle-ci sera réparée ou remplacée par Maruyama Manufacturing Company, Inc.

RESPONSABILITÉS DU PROPRIÉTAIRE LIÉES À LA GARANTIE :

- (a) En tant que propriétaire de petit moteur hors route, vous êtes tenu de réaliser la maintenance requise indiquée dans votre manuel du propriétaire/ de l'utilisateur. Maruyama Manufacturing Company, Inc. vous recommande de conserver tous vos reçus concernant l'entretien de votre petit moteur hors route, toutefois Maruyama Manufacturing Company, Inc. ne saurait refuser la garantie uniquement en l'absence de reçus ou de la non-réalisation de tous les travaux d'entretien programmés.
- (b) En tant que propriétaire de petit moteur hors route, vous devez néanmoins savoir que Maruyama Manufacturing Company peut vous refuser la couverture de la garantie si la panne de votre petit moteur hors route ou d'une pièce quelconque sont dus à un abus, à une négligence, à un entretien incorrect ou à des modifications non approuvées.
- (c) Vous êtes tenu de présenter votre petit moteur hors route dans un centre de services Maruyama Manufacturing Company, Inc. dès qu'un problème survient. Les réparations sous garantie doivent être réalisées dans un délai raisonnable de 30 jours. Si vous avez des questions concernant vos droits et obligations liés à la garantie, vous devez contacter Maruyama U.S., Inc. en appelant le n° **1-866-783-7400**, ou **warranty@maruyama-us.com**.

Pièces du système d'émissions

Émissions d'échappement
Carburateur
Silencieux
Pot catalytique
Bobine d'allumage / Magnéto
Bougie
Filtre à air
Soupape RGE (piston)
Filtre à carburant

Émissions par évaporation
Réservoir de carburant

Sommaire

	Page FR-
Déclaration de garantie limitée	1
ÉMISSIONS DE L'ÉTAT FÉDÉRAL	2
CONTRÔLE DES ÉMISSIONS DE LA CALIFORNIE	4
Sommaire.....	5
Introduction	5
Sécurité.....	6
Sécurité de l'utilisateur	6
Sécurité du coupe-bordures	6
Sécurité du carburant	7
Sécurité d'utilisation du coupe-bordures	7
Étiquettes de sécurité et instructions	9
Description du produit	9
Montage	10
Assemblage du moteur et de l'arbre de transmission ..	10
Montage de la poignée avant	10
Connexion du câbles du bouton d'arrêt	10
Connexion du câble d'accélérateur	11
Montage de la Pare-débris	11
Montage du tête du coupe	12
Avant utilisation	13
Huile et carburant	13
Mélange d'essence et d'huile	14
Mise en marche et arrêt.....	15
Utilisation	16
Position d'utilisation d'un coupe-bordures	17
Couper avec un tête du coupe	17
Entretien	18
Réglage du ralenti	18
Filtre à air	19
Filtre à essence	20
Bougie	20
Ailettes de refroidissement du cylindre	21
Pare-étincelles	21
Silencieux d'échappement	22
Arbre de transmission flexible	22
Nettoyage et serrage normaux	23
Remisage	23
Dépannage	24
Spécifications	24
Période d'entretien	25

Introduction

Nous vous remercions d'avoir acheté un produit Maruyama.

Maruyama, ses distributeurs et ses concessionnaires tiennent à votre complète satisfaction de ce nouveau coupe-bordures. Veuillez contacter votre concessionnaire d'entretien agréé pour toute assistance en matière d'entretien, de pièces Maruyama d'origine ou pour tout renseignement dont vous pourriez avoir besoin.

Que vous contactiez votre concessionnaire agréé ou l'usine, prévoyez le numéro de modèle et de série du produit. Ce numéro aidera le concessionnaire ou le représentant à vous donner les informations exactes relatives à votre produit. Vous trouverez le numéro de modèle et de série dans un endroit spécial, sur le produit. (Description du produit page FR-9).

Pour référence ultérieure, notez cette information dans l'espace ci-dessous.

<p>Nom de modèle _____</p> <p>N° de série _____</p>

Veillez lire attentivement ce manuel afin d'apprendre comment utiliser correctement votre produit. La lecture de ce manuel permettra d'éviter, à vous et aux autres, des accidents corporels et des dommages au produit.

Bien que Maruyama conçoive, produise et commercialise des produits sûrs et de pointe, il est de votre responsabilité d'utiliser votre nouveau coupe-bordures correctement et de façon sûre. (Vous être également responsable de la formation sur l'utilisation en toute sécurité par toute personne à qui vous en autoriserez l'utilisation.)

Le système d'avertissement de Maruyama dans ce manuel identifie les dangers potentiels et comprend des messages de sécurité spéciaux permettant d'éviter des blessures, voire la mort. DANGER, AVERTISSEMENT et ATTENTION sont les mots utilisés pour identifier le niveau de danger. Cependant, quel que soit le niveau de danger, soyez extrêmement prudent.

DANGER signale un danger extrême à l'origine de blessures graves, voire mortelles, si les précautions recommandées ne sont pas respectées.

AVERTISSEMENT signale un danger à l'origine de blessures graves, voire mortelles, si les précautions recommandées ne sont pas respectées.

ATTENTION signale un danger à l'origine de blessures mineures ou modérées si les précautions recommandées ne sont pas respectées. Deux autres termes sont également utilisés pour mettre des informations en évidence. "Important" attire l'attention sur des informations mécaniques spéciales et "Remarque" met l'accent sur des généralités méritant une attention spéciale.

Sécurité

Sécurité de l'utilisateur

1. Lisez et assimilez ce manuel du propriétaire/ de l'utilisateur avant d'utiliser ce produit. Familiarisez-vous bien avec l'utilisation correcte de ce matériel.
2. Ne laissez jamais des enfants utiliser le coupe-bordures. Ce n'est pas un jouet. Ne laissez jamais des adultes utiliser la machine sans qu'ils aient lu le manuel du propriétaire/ de l'utilisateur.
3. Portez toujours des lunettes de protection conformes à Z87- 1 de l'ANSI (American National Standards Institute).



4. Portez des protège-oreilles.



5. Portez toujours un pantalon épais, des manches longues, des bottes et des gants. Ne portez jamais de vêtements amples, de bijoux, de shorts, de sandales et ne soyez jamais pieds nus. Arrangez vos cheveux pour qu'ils ne descendent pas en dessous des épaules.
6. N'utilisez jamais ce coupe-bordures si vous êtes fatigué, malade ou sous l'influence d'alcool, de drogue ou de médicaments.
7. Ne mettez jamais le moteur en marche ou ne le faites jamais tourner dans une salle ou un bâtiment fermé.
Respirer des gaz d'échappement peut être mortel.



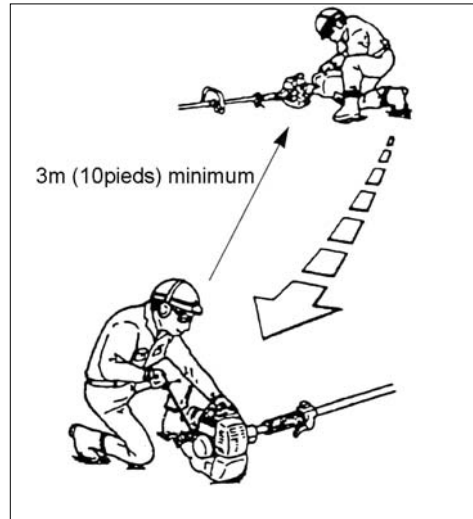
8. Eviter de salir les poignées avec de l'huile, du carburant ou de la terre.

Sécurité du coupe-bordures

1. Assurez-vous que le coupe-bordures est correctement monté et que le dispositif de coupe est correctement monté et bien fixé, conformément au paragraphe sur le montage.
2. Avant chaque utilisation, inspectez le coupe-bordures et remplacez les pièces endommagées. Assurez-vous qu'il n'y a pas de fuites de carburant. Assurez-vous que toute la visserie est en place et bien serrée. Suivez les instructions d'entretien commençant à la page FR-18.
3. Assurez-vous que la tête rotative ne fonctionne pas quand le moteur est au ralenti. Référez-vous à réglage du ralenti page FR-18.

4. Avant d'utiliser le coupe-bordures/débroussailleur, vérifiez la tête rotative et remplacez toutes les pièces qui sont fendues, ébréchées ou endommagées.
5. Avant d'utiliser le coupe-bordures/débroussailleur, assurez-vous que le carter de protection est bien installé.
6. N'utilisez jamais une tête rotative ou des pièces de rechange qui ne soient pas approuvées par Maruyama.
7. Effectuez l'entretien du coupe-bordures/débroussailleur conformément aux intervalles d'entretien recommandés et aux procédures détaillés au chapitre Entretien commençant à la page FR-18.
8. Avant d'inverser la fonction coupe-bordures, d'effectuer l'entretien ou de travailler sur la machine, éteignez le moteur et assurez-vous que la tête rotative est à l'arrêt complet.
9. En cas de problèmes de fonctionnement ou de vibrations excessives, arrêtez immédiatement la machine et inspectez-la pour en trouver la cause. Si la cause ne peut pas être déterminée ou si vous ne pouvez pas la corriger, renvoyez le coupe-bordures/débroussailleur à votre concessionnaire pour réparation.

5. Essuyez tout carburant renversé avant de mettre le moteur en marche.
6. Éloignez le coupe-bordure d'au moins 3 m (10 pieds) de l'emplacement de remplissage en carburant avant de mettre le moteur en marche.



7. Ne retirez pas le bouchon du réservoir de carburant quand le moteur tourne ou immédiatement après l'arrêt du moteur.
8. Laissez le moteur se refroidir avant de refaire le plein.
9. Videz le réservoir de carburant et faites tourner le moteur jusqu'à épuisement du carburant avant de ranger l'appareil.
10. Remisez le carburant et le coupe-bordures/débroussailleur à l'écart des flammes nues, des étincelles et à l'abri de la chaleur excessive. Assurez-vous que les vapeurs ne peuvent pas atteindre d'étincelles de chauffe-eau, de chaudières, de moteurs électriques, etc.

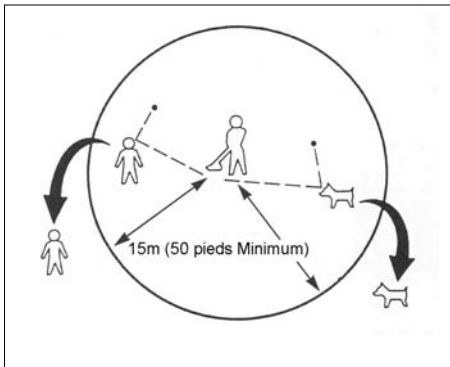
Sécurité du carburant

1. L'essence est hautement inflammable et doit être manipulée et stockée avec précaution. Utilisez un bidon approuvé pour le stockage d'essence et/ou de mélange carburant/huile.
2. Mélangez et versez le carburant à l'extérieur, à l'écart des étincelles et des flammes.
3. Ne fumez pas à côté d'un bidon de carburant ou du coupe-bordures ou lorsque vous utilisez le coupe-bordures.
4. Ne remplissez pas trop le réservoir de carburant. Arrêtez le remplissage entre 6 mm et 13 mm (1/4 - 1/2 po) du haut du réservoir.

Sécurité d'utilisation du coupe-bordures

1. CE COUPE-BORDURES PEUT CAUSER DES BLESSURES GRAVES. Lisez les instructions avec attention. Ayez connaissance de toutes les commandes et de l'utilisation correcte du coupe-bordures.
2. Assurez-vous que la clé hexagonale de 3 mm a été ôtée du carter d'engrenage et de l'adaptateur boss avant de mettre le moteur en marche.

3. Avant de commencer, inspectez la zone de travail. Otez tous les objets tels que les bris de verre, clous, câbles et pierres qui peuvent devenir des projectiles dangereux s'ils sont projetés par le coupe-bordures. Otez toutes les ficelles, cordes ou toutes matières similaires qui peuvent s'emmêler dans la tête rotative.
4. Ne laissez pas les enfants, les personnes tierces et les animaux pénétrer dans un rayon de 15 m (50 pieds) autour de l'utilisateur et du coupe-bordures.
12. Placez bien vos pieds en équilibre. N'essayez pas d'augmenter votre portée.
13. Utilisez l'outil convenant à la tâche. N'utilisez pas le coupe-bordures pour un travail pour lequel il n'est pas recommandé par Maruyama.



5. Si vous êtes approché alors que vous utilisez le coupe-bordures, arrêtez le moteur et la tête rotative.
6. Ne laissez jamais des enfants utiliser le coupe-bordures.
7. N'utilisez le coupe-bordures qu'à la lumière du jour ou sous un éclairage artificiel adéquat.
8. N'utilisez jamais le coupe-bordures/débroussaillieur sans les protections et autres dispositifs de sécurité appropriés.
9. Gardez toujours le coupe-bordures/débroussaillieur à votre côté droit.
10. Ne levez pas la tête rotative au-dessus du niveau de votre taille.
11. N'approchez pas vos mains ou vos pieds près de ou sous toute pièce rotative. Écartez-vous toujours. N'approchez jamais les mains ou les pieds des pièces mobiles. Ne vous approchez pas des surfaces chaudes telles que le silencieux.

Étiquettes de sécurité et instructions



Les étiquettes de sécurité et instructions sont facilement visibles par l'utilisateur et sont situées près de toute zone de danger potentiel.

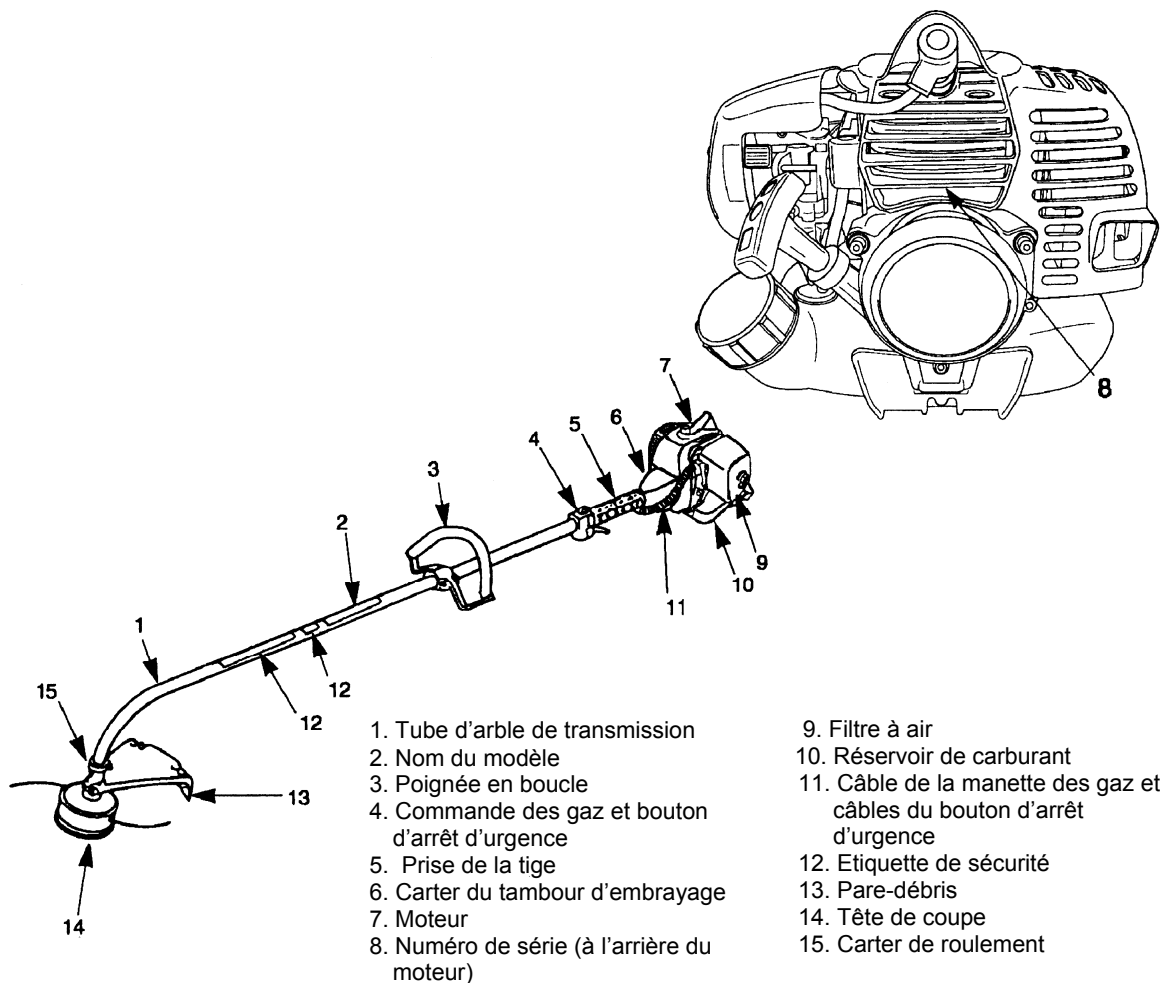


SUR LA POIGNÉE
(Pièce No.221501)

Lubricate drive-
shaft each 30
hours of use.

SUR LA POIGNÉE
(Pièce No.223926)

Description du produit

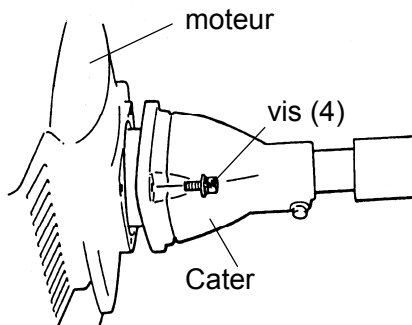


- | | |
|---|---|
| 1. Tube d'arbre de transmission | 9. Filtre à air |
| 2. Nom du modèle | 10. Réservoir de carburant |
| 3. Poignée en boucle | 11. Câble de la manette des gaz et câbles du bouton d'arrêt d'urgence |
| 4. Commande des gaz et bouton d'arrêt d'urgence | 12. Étiquette de sécurité |
| 5. Prise de la tige | 13. Pare-débris |
| 6. Carter du tambour d'embrayage | 14. Tête de coupe |
| 7. Moteur | 15. Carter de roulement |
| 8. Numéro de série (à l'arrière du moteur) | |

Montage

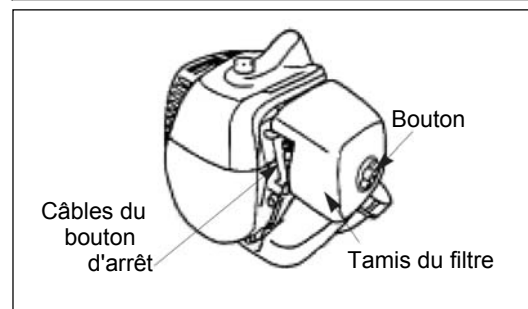
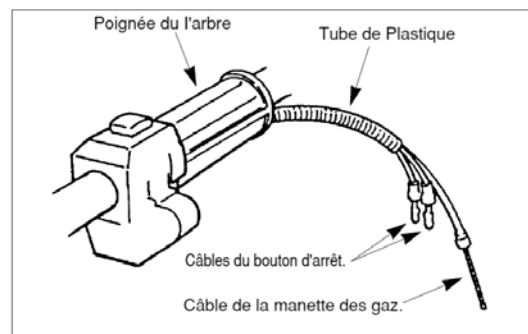
Assemblage du moteur et de l'arbre de transmission

Assembler le carter d'embrayage au moteur à l'aide des quatre vis fournies.

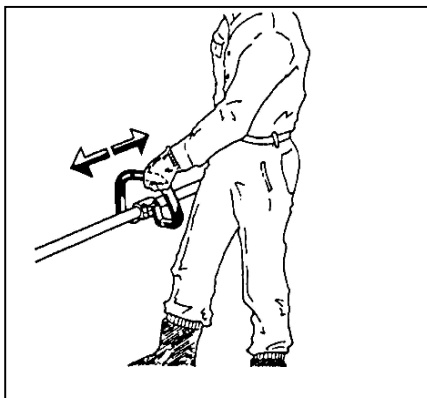
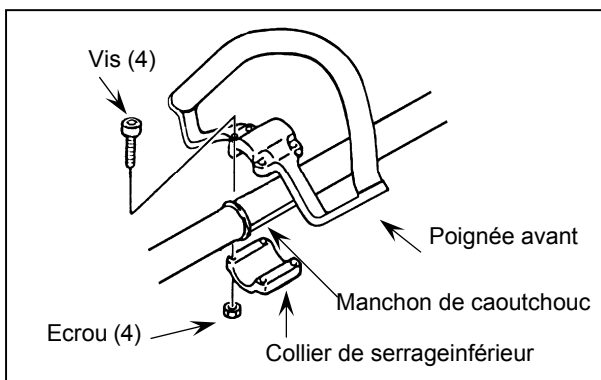


1. Placez l'poignée avant, manchon de caoutchouc et le collier de serrage inférieur sur le puits environ 9 pouces (22.8 centimètres) à partir de la fin du commande des gaz et bouton d'arrêt d'urgence pour une position de poignée initiale.
2. Installez les quatre vis et les ecrou. Quittez les vis étanchées au doigt.
3. Remplacez l' poignée avant en haut ou en bas l'arbre de transmission à le la position la plus confortable, mais pas plus près que 9 pouces (22.8 centimètres) à partir de la fin du changement d'arrêt.
4. Serrez les vis et les ecrou.

Connexion du câbles du bouton d'arrêt



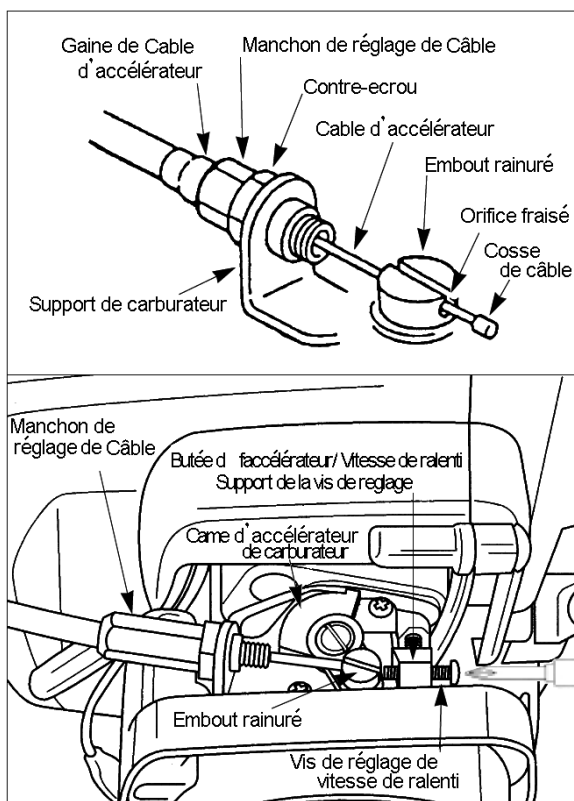
Montage de la poignée avant



1. Placer le tube de plastique (Emballé avec 'assemblage d'arbre d'entraînement) autour du câble 'accélération et des connexions d'interrupteur.
2. Dévissez le bouton et retirez le couvercle du filtre à air, pour accéder aux fils de bouton d'arrêt.
3. Brancher les fils du bouton d'arrêt sur les connecteurs correspondants du moteur. La polarité des fils est importante.

Connexion du câble d'accélérateur

1. Dévissez le bouton et retirez le couvercle du filtre à air, insérez le câble d'accélérateur à travers le manchon de réglage de câble du support du carburateur. Assurez-vous que l'extrémité de la gaine de câble est correctement mise en place dans le manchon.
2. Placez l'embout rainuré du carburateur de sorte que l'orifice fraisé de la cosse de câble soit éloigné du manchon de réglage de câble.



3. Tournez la came d'accélérateur du carburateur dans le sens horaire et faites glisser le câble d'accélérateur dans la fente de l'embout rainuré, en vous assurant que la cosse de câble passe dans l'orifice fraisé.
4. Activez la commande d'accélérateur à quelques reprises pour vous assurer qu'elle fonctionne correctement.

5. Ajustez le manchon de réglage de câble de sorte que la butée de la came d'accélérateur du carburateur.
6. Une fois le câble d'accélérateur correctement ajusté, serrez le contre-écrou.
7. Enroulez et fixez le contacteur de mise en route et ses connexions avec une bride.

Montage de la Pare-débris

⚠ AVERTISSEMENT

DANGER POTENTIEL

- Des objets étrangers peuvent être projetés Par le coupe- bordures/ débroussailleur.

CE QUI PEUT SE PASSER

- Une personne qui reçoit un objet projeté peut être blessée.

COMMENT ÉVITER LE DANGER

- Ne jamais utiliser le coupe-bordure/ débroussailleur sans la protection.

⚠ ATTENTION

RISQUE POTENTIEL

- La lame à tronçonner est affûtée.

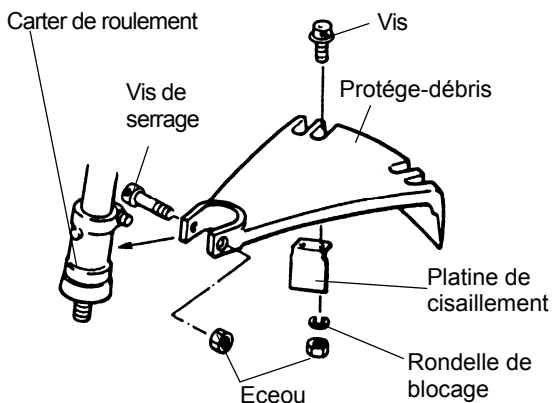
QUE PEUT-IL SE PASSER

- Le contact avec cette lame peut entraîner des blessures graves.

COMMENT ÉVITER LE DANGER

- Maintenez vos mains, pieds et vêtements éloignés des lames à tronçonner.

1. Fixer la platine de Cisaillement à la Protège-débris avec M5x15 vis, hex écrous et rondelle de blocage comme indiqué.
2. Pousser la Protège-débris au niveau du carter de roulements. Installer la vis de serrage et eceou du déflecteur. Serrer vis de serrage (voir figure).



1. Aligned le trou de l'adaptateur boss avec la rainure de guidage dans le carter de roulements.
2. Insérez la clé hexagonale de 3 mm dans les orifices l'adaptateur et la rainure de guidage dans le carter de roulements., afin de bloquer la pièce de fixation.
3. Introduire l'adaptateur de la tête de coupe dans l'arbre de fixation, puis serrer la tête de coupe à la main.
Remarque: l'adaptateur de la tête de coupe présente un filetage à droite
4. Retirer la clé hexagonale de 3 mm de l'adaptateur du moyeu du renvoi d'angle.

Montage du tête du coupe

Tête de coupe

⚠ AVERTISSEMENT

RISQUE

- Si la tête de coupe n'est pas fixée correctement, elle peut se détacher de la machine en cours de rotation.

CONSEQUENCE PROBABLE

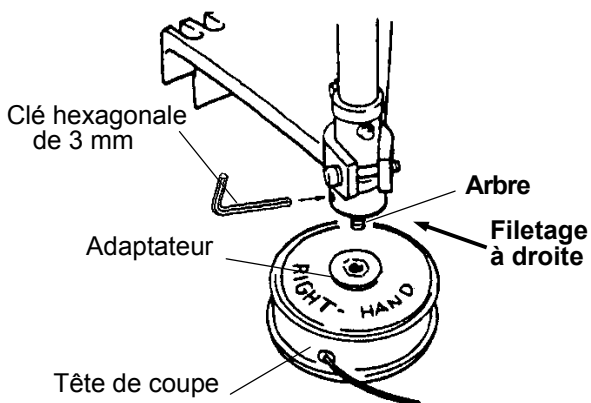
- Cela peut causer des dommages immobiliers ainsi que des blessures corporelles.

POUR EVITER LE RISQUE

- S'assurer que la tête de coupe est bien fixée à l'arbre.

IMPORTANT: l'adaptateur de la tête de la Débroussailleuse a le fill à droite.

1. Assurez-vous que la tête à fil nylon est de diamètre 8.
2. Utiliser la tige comme outil pour le serrage.



Avant utilisation

Huile et carburant

DANGER

DANGER POTENTIEL

- Dans certaines conditions, l'essence est très inflammable et présente de grands risques d'explosion.

CE QUI PEUT SE PASSER

- Un feu ou une explosion dus au carburant peut vous brûler, brûler les autres et causer des dommages matériels.

COMMENT ÉVITER LE DANGER

- Utilisez un entonnoir et remplissez le réservoir de carburant à l'extérieur, dans une zone découverte, alors que le moteur est froid. Essayez tout le carburant qui se serait renversé.
- Ne fumez jamais lorsque vous manipulez un carburant et restez éloigné d'un feu nu ou de tout endroit où le carburant peut être enflammé par une étincelle.
- Ne remplissez pas totalement le réservoir de carburant. Ajoutez le carburant dans le réservoir de carburant jusqu'à atteindre un niveau de 6 mm à 13 mm (1/4 à 1/2 po.) du haut du réservoir. Cet espace vide dans le réservoir permet au carburant de se dilater.
- Stockez le carburant dans un contenant approuvé et ne le laissez pas à la portée des enfants.
- N'achetez jamais plus de 30 jours de réserve de carburant.

1. Ne fumez pas près de carburant.
2. Mélangez et versez le carburant à l'extérieur, dans un endroit éloigné d'étincelles ou de flammes.
3. Éteignez toujours le moteur avant de remettre du carburant. N'ôtez jamais le bouchon du réservoir de carburant alors que le moteur est en marche ou aussitôt après avoir arrêté le moteur.

AVERTISSEMENT

DANGER POTENTIEL

- L'essence contient des gaz qui peuvent accumuler de la pression à l'intérieur du réservoir de carburant.

CE QUI PEUT SE PASSER

- Du carburant peut être pulvérisé lorsque vous ôtez le bouchon de carburant.

COMMENT ÉVITER LE DANGER

- Ôtez lentement le bouchon d'essence afin d'éviter des blessures dues à la vaporisation d'essence.

4. Ouvrez toujours lentement le bouchon du réservoir d'essence pour libérer petit à petit toute surpression possible à l'intérieur du réservoir.
5. Ne remplissez pas trop le réservoir de carburant. Arrêtez de le remplir à 6 mm-13 mm (1/4-1/2 pouce) du haut du réservoir.
6. Serrez bien le bouchon du réservoir d'essence, après avoir fait le remplissage.
7. Essuyez tout carburant renversé avant de démarrer le moteur.
8. Déplacez le coupe-bordures à au moins 3m(10pieds) du lieu de remplissage et du contenant de carburant, avant de démarrer le moteur.

Type d'huile recommandé

Pour le mélange de carburant, n'utilisez que de l'huile deux temps Maruyama 50 : 1 ou une huile de qualité élaborée pour les moteurs deux temps à hautes performances, à refroidissement par air.

IMPORTANT: N'utilisez pas d'huiles certifiées Marine Manufacturer's Association (NMMA) ou BIA. Ces types d'huile moteur deux temps ne comportent pas les additifs convenant aux moteurs deux temps à refroidissement par air et risquent d'endommager le moteur.

N'utilisez pas d'huile moteur automobile. Ce type d'huile moteur ne comporte pas les additifs convenant aux moteurs deux temps à refroidissement par air et risque d'endommager le moteur.

Type de carburant recommandé

Utilisez de l'essence sans plomb fraîche et propre, y compris de l'essence oxygénée ou reformulée, avec un niveau d'octane supérieur ou égal à 89. Afin d'assurer la fraîcheur de l'essence, ne l'achetez qu'en une quantité nécessaire pour 30 jours. L'utilisation d'essence sans plomb réduit les dépôts dans la chambre de combustion et allonge la durée de vie de la bougie. L'utilisation d'une essence super n'est ni nécessaire ni recommandée.

Utilisation d'additifs de carburants

IMPORTANT : N'UTILISEZ JAMAIS DE MÉTHANOL, D'ESSENCE CONTENANT DU MÉTHANOL, DE L'ESSENCE AVEC DE L'ALCOOL CONTENANT PLUS DE 10% D'ÉTHANOL, DE SUPERCARBURANT OU DE L'ESSENCE MINÉRALE POUR NE PAS ENDOMMAGER LE CIRCUIT D'ALIMENTATION EN CARBURANT.

N'UTILISEZ JAMAIS D'ADDITIFS AUTRES QUE CEUX FABRIQUÉS POUR LA STABILISATION DU CARBURANT LORS DU STOCKAGE, TEL LE STABILISATEUR/CONDITIONNEUR DE MARUYAMA OU UN PRODUIT SIMILAIRE. LE STABILISATEUR/CONDITIONNEUR DE MARUYAMA EST UN STABILISATEUR/CONDITIONNEUR À BASE DE DISTILLAT DE PÉTROLE.

MARUYAMA NE RECOMMANDE PAS DE STABILISATEURS À BASE D'ALCOOL TELS QUE L'ÉTHANOL, LE MÉTHANOL OU L'ISOPROPYLE. N'UTILISEZ PAS D'ADDITIFS POUR TENTER D'AMÉLIORER LA PUISSANCE OU LES PERFORMANCES DE LA MACHINES.

Mélange d'essence et d'huile

IMPORTANT: Le moteur utilisé avec ce coupe-bordures est à deux temps. Les pièces mobiles internes du moteur, à savoir, le vilebrequin, les roulements, les paliers des axes de piston et les surfaces de contact entre le piston et la paroi, nécessitent un mélange d'huile avec l'essence pour la lubrification.

L'absence d'apport d'huile à l'essence ou le mélange d'huile avec l'essence dans des proportions inadéquates provoquera de graves dégâts au moteur et annule la garantie.

Pour le pré-mélange de carburant, utilisez l'huile deux temps Maruyama Premium Mix, ou son équivalent, ISO-L-EGD & JASO FC avec une qualité supérieure minimum de 87 octanes. L'huile 2-temps Maruyama est spécialement formulée pour répondre aux exigences des moteurs 2-temps de haute performance et à faible taux d'émission d'air. L'utilisation d'autres huiles peut engendrer des problèmes de maintenance qui ne seront peut-être pas couverts par la garantie.

Mélange d'essence

Le rapport d'huile est de 50 parties d'essence pour une partie d'huile, soit 50 : 1.



Remarque : N'utilisez jamais un rapport de mélange inférieur à 50 : 1, quelles que soient les instructions de mélange figurant sur le bidon d'huile. Un rapport inférieur à 50 : 1 (60 : 1, 80 : 1, 100 : 1, par exemple) réduit la lubrification des pièces internes du moteur et risque d'endommager celui-ci.

Tableau de mélange de carburant

Essence 50	50:1 huile du 2-cycle
1 gallon	2.6 oz.
2 gallons	5.1 oz.
5 gallons	12.8 oz.
1 liter	20 ml
5 liters	100 ml

Instructions de mélange

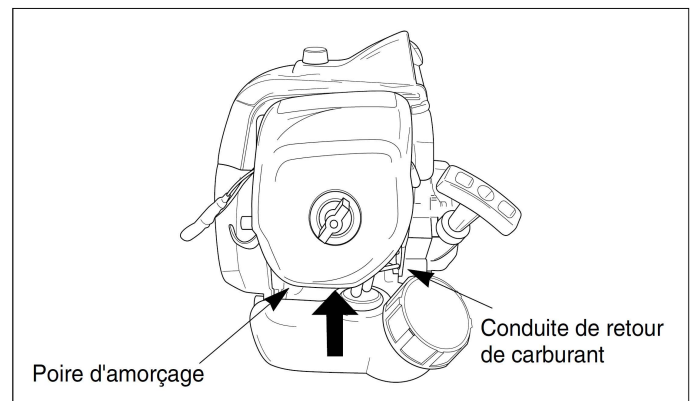
IMPORTANT: Ne mélangez jamais l'essence et l'huile directement dans le réservoir d'essence du coupe-bordures.

1. Mélangez toujours le carburant et l'huile dans un récipient propre approuvé pour l'essence.
2. Marquez le bidon pour l'identifier comme mélange pour le coupe-bordures.
3. Remplissez le récipient d'essence sans plomb ordinaire jusqu'à la moitié de la quantité d'essence nécessaire.
4. Ajoutez la quantité correcte d'huile et ensuite le reste d'essence.
5. Fermez le bidon et secouez-le pour mélanger l'huile et l'essence avant de remplir le réservoir du coupe-bordures.
6. Lors du remplissage du réservoir d'essence du coupe-bordures, nettoyez autour du bouchon pour éviter que la poussière et les débris ne pénètrent dans le réservoir lors du retrait du bouchon.
7. Secouez toujours le bidon de mélange de carburant momentanément avant de remplir le réservoir de carburant.
8. Utilisez toujours un bec verseur ou un entonnoir lors du plein pour éviter un déversement.
9. Ne remplissez le réservoir qu'à 0,6 - 1,2 cm (1/4 - 1/2 po) du haut du réservoir. Évitez de remplir le réservoir jusqu'en haut.

Mise en marche et arrêt

Avant de mettre le moteur en marche

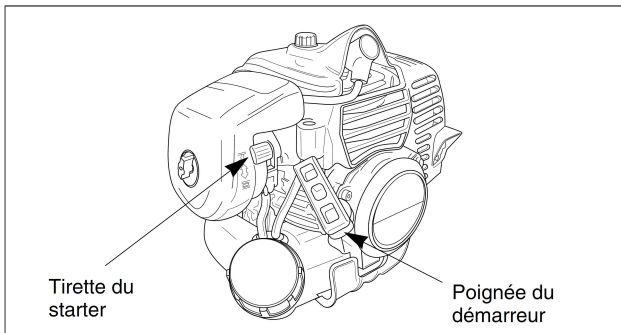
1. Remplissez le réservoir de carburant comme indiqué au chapitre Avant utilisation de ce manuel. (page FR-13)
2. Mettez le coupe-bordures par terre.
3. Assurez-vous que la zone ne comporte pas de verre cassé, de clous, de fils, de clous, de câbles, de cailloux ou d'autres débris.
4. Ne laissez pas les passants, enfants et animaux s'approcher de la zone de travail.



Mise en marche du moteur à froid

Le carburateur de ce moteur est équipé d'une poire d'amorçage et d'un starter. Pour mettre en marche un moteur "à froid" correctement, veuillez suivre la procédure suivante:

1. Appuyez et relâchez la poire d'amorçage jusqu'à ce que l'essence soit visible et s'écoule dans la conduite de retour d'essence dans le réservoir. (L'essence d'écoulant doit être presque transparente, sans mousse ni pleine de bulles d'air.)
2. Mettez la poignée du démarreur en position fermée.
3. Avec le bouton d'arrêt d'urgence sur "ON" et la commande des gaz en position ralenti accéléré, tirez sur la poignée du démarreur.



! ATTENTION

- **Ne tirez pas sur le cordon du démarreur jusqu'au bout.**

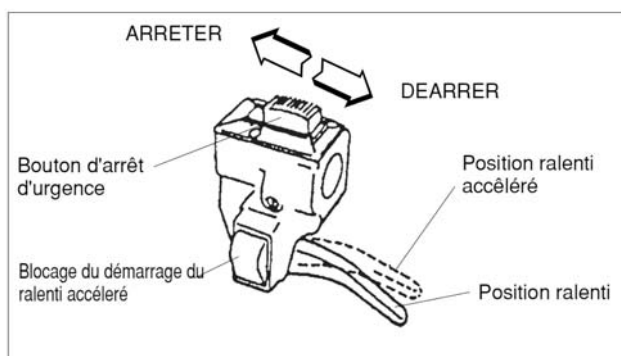
! AVERTISSEMENT

- **Ne démontez pas le starter. Veuillez demander l'aide d'un concessionnaire agréé MARUYAMA.**

Quand le moteur tourne, tournez la tirette du starter en position Ouvert. Puis serrez et relâchez le câble de la manette des gaz pour lui permettre de retourner en position de ralenti.

Si le moteur s'arrête de tourner avant que vous mettiez la manette des gaz en position ouvert :

Ouvrez le starter, tirez sur la poignée du démarreur, tout en maintenant le câble de la manette des gaz en position ralenti accéléré.



Redémarrage à chaud

Pour mettre en marche un moteur déjà chaud (redémarrage à chaud) ou si la température ambiante est supérieure à 20°C (68 °F):

1. Pompez la poire d'amorçage jusqu'à ce que l'essence soit visible et s'écoule dans la conduite de retour d'essence dans le réservoir. (L'essence d'écoulant doit être presque transparente, sans mousse ni pleine de bulles d'air.)
2. Mettez la tirette du starter en position ouverte et mettez le bouton d'arrêt d'urgence sur "ON".
3. Laissez la manette des gaz à mi-régime et tirez la poignée du démarreur.

Si le moteur ne démarre pas après que vous avez suivi la procédure, contactez un concessionnaire agréé Maruyama.

Arrêt du moteur:

1. Relâchez la manette des gaz.
2. Mettez le bouton d'arrêt d'urgence sur "STOP".

Utilisation

! AVERTISSEMENT

DANGER POTENTIEL

- **Des objets étrangers peuvent être projetés par le débroussailleuse.**

CE QU'IL PEUT SE PASSER

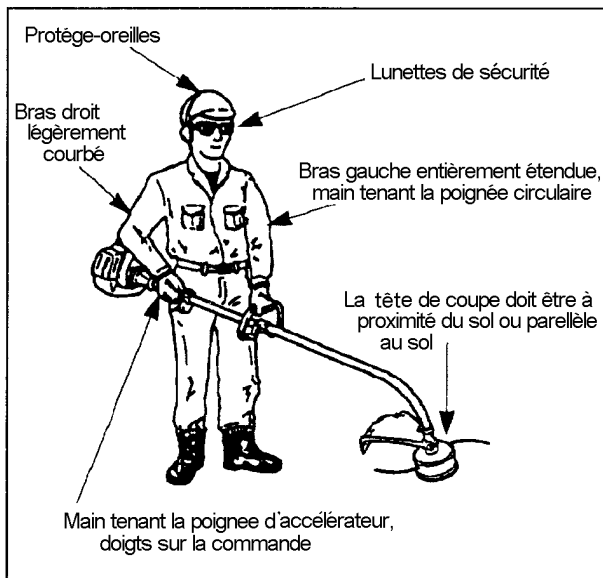
- **Entrer en contact avec des objets projetés peut causer des blessures corporelles.**

COMMENT ÉVITER LE DANGER

- **N'utilisez jamais le débroussailleuse sans que soit montée sa protection de lame.**

! ATTENTION

- **Veuillez lire les instructions de sécurité page FR-6, concernant l'utilisation correcte du débroussailleuse.**



Position d'utilisation d'un coupe-bordures

Avant d'utiliser le coupe-bordures, effectuez les vérifications suivantes:

1. Assurez-vous que l'outil de retenue (la clé hexagonale de 3 mm) a été ôté du carter et de l'adaptateur boss, avant de mettre le moteur en marche.
2. L'utilisateur doit porter le harnais fixé au coupe-bordures et le coupe-bordures doit être placé sur le côté droit de l'utilisateur.
3. La main droite de l'utilisateur doit tenir la poignée guidon droite, avec les doigts sur la manette de gaz.
4. La main gauche doit tenir la poignée guidon gauche avec les doigts et le pouce enserrant complètement la poignée.
5. Lorsque vous ne coupez pas, libérez toujours la manette de gaz et permettez au moteur de revenir à la vitesse de ralenti.
6. Lorsque vous changez de site de travail, arrêtez toujours le moteur du coupe-bordures.
7. Lorsque vous changez de site de travail, arrêtez toujours le moteur du coupe-bordures.

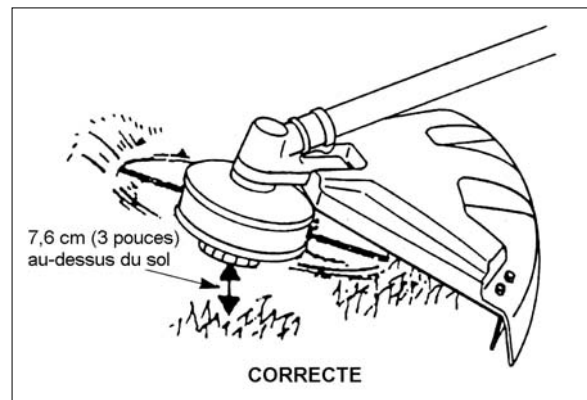
! ATTENTION

- Lorsque vous utilisez le coupe-bordures, portez toujours des gants et des vêtements de protection.

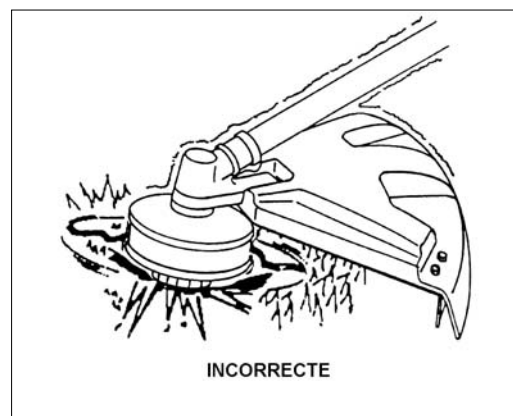
- Si la lame de coupe se bloque, arrêtez immédiatement le moteur.
- Assurez-vous que toutes les pièces en mouvement se sont arrêtées et débranchez la bougie d'allumage avant de vérifier si le matériel est endommagé.
- N'utilisez jamais un coupe-bordures dont une pièce de coupe ou de protection est écaillée, fendue ou cassée.

Couper avec un tête de coupe

- Le coupage est fait par le fil. Le fil doit rester tendu pendant le coupage.

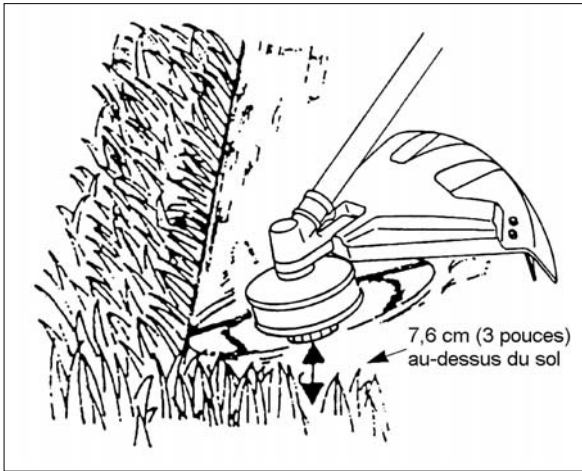


- Ne forcez pas le fil dans la matière. Forcer le fil le ferait battre contre la matière, nécessitant d'en utiliser plus et obtenant de mauvais résultats de coupage.



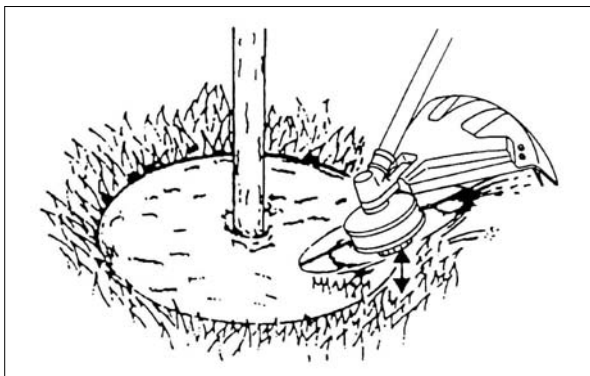
Taille

Tenez la tête du coupe-bordures à environ 7,6 cm (3 pouces) du sol, à angle droit. Ne laissez que le fil entrer en contact.



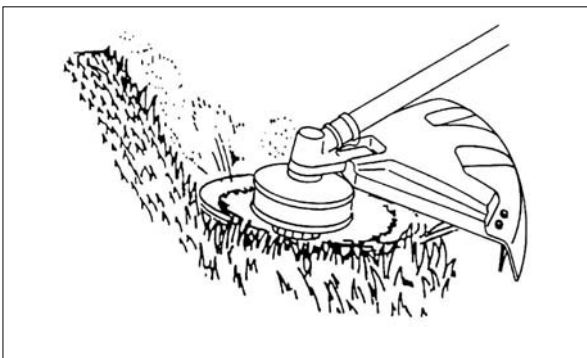
Désherbage

Pour ôter les mauvaises herbes, tenez la tête du coupe-bordures à environ 7,6 cm (3 pouces) du sol et à angle droit. Laissez le bout du fil toucher le sol et couper la végétation de la surface.



Tonte

Gardez le fil parallèle au sol et faites de lents mouvements latéraux.



Entretien

L'entretien, le remplacement ou la réparation des dispositifs et des systèmes de contrôle des émissions peuvent être effectués par tout établissement de réparation ou particulier, cependant, les réparations sous garantie doivent être effectuées par un concessionnaire ou un centre d'entretien agréé par Maruyama Manufacturing Company, Inc. L'utilisation de pièces qui ne sont pas équivalentes en performance et durabilité aux pièces homologuées risque de compromettre l'efficacité du système de contrôle de la pollution d'avoir une incidence sur le résultat d'une réclamation sous garantie.

Réglage du ralenti

Ce coupe-bordures est équipé d'un carburateur de mélange de carburant non réglable. La vitesse de ralenti du moteur est le seul réglage effectué par l'utilisateur.

⚠ AVERTISSEMENT

DANGER POTENTIEL

- Pour effectuer les réglages du carburateur, le moteur doit être en marche.
- Lorsque le moteur est en marche, la tête rotative tourne et les autres pièces sont en mouvement.

QUE PEUT-IL SE PASSER

- Entrer en contact avec la tête rotative ou d'autres pièces en mouvement peut causer des blessures corporelles graves ou même la mort.

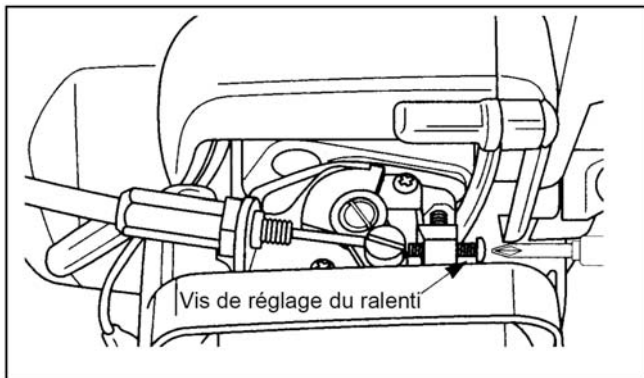
COMMENT EVITER LE DANGER

- Tenez toujours les mains, les pieds et les vêtements loin de la tête rotative et des autres pièces mobiles.
- Lorsque vous effectuez des réglages du carburateur, éloignez les spectateurs et les animaux de la machine.

La tête rotative peut tourner au cours du réglage du ralenti. Veuillez porter l'équipement de protection individuelle recommandé et suivre toutes les instructions de sécurité.

Gardez vos mains et votre corps loin de la tête rotative.

Lorsque la manette des gaz est libérée, le moteur doit revenir à une vitesse de ralenti comprise entre 2700 et 3300 r/min ou juste en-dessous de la vitesse d'engagement de l'embrayage.



Quand le moteur est au ralenti, la tête rotative ne doit pas tourner et le moteur ne doit pas caler (doit s'arrêter de marcher).

Pour régler le ralenti du moteur, faire tourner la vis de réglage du ralenti sur le carburateur.

- Tournez la vis de ralenti vers l'intérieur (dans le sens des aiguilles d'une montre) pour augmenter la vitesse de ralenti du moteur.
- Tournez la vis vers l'extérieur (dans le sens contraire des aiguilles d'une montre) pour diminuer la vitesse de ralenti du moteur.

Si un réglage du ralenti est nécessaire, et si après le réglage, la tête rotative tourne toujours ou si le moteur cale, arrêtez immédiatement d'utiliser le coupe-bordures !

Contactez votre concessionnaire agréé Maruyama local pour assistance et entretien.

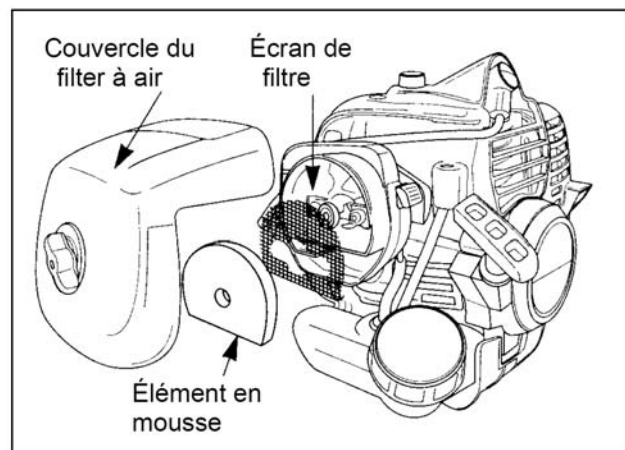
Filtre à air

Intervalle d'entretien

- Le filtre à air doit être nettoyé tous les jours plus souvent en cas de travail dans des conditions extrêmement poussiéreuses.
- Remplacez-le après 100 heures d'utilisation.

Nettoyage du filtre à air

1. Desserrez le bouton et retirez le couvercle du filtre à air.
2. Otez l'élément en mousse.
3. Nettoyez l'élément en mousse avec de l'eau chaude savonneuse. Laissez-le sécher complètement.
4. Appliquez une couche légère d'huile de moteur SAE 30 sur l'élément en mousse et pressez celui-ci pour en ôter tout l'excès d'huile.
5. Réassemblez l'élément en mousse et le couvercle du filtre.



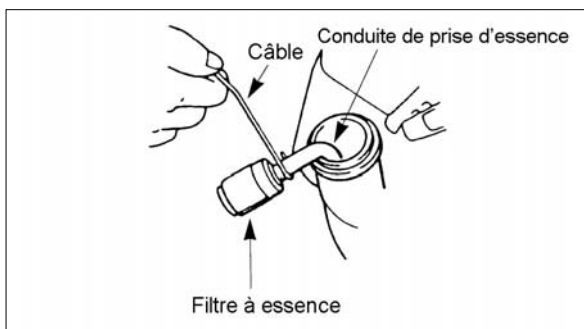
Filtre à essence

Intervalle d'entretien

Le filtre à essence doit être remplacé après 100 heures d'utilisation.

Remplacement du filtre à essence

Le filtre à essence est fixé à l'extrémité de la conduite de prise d'essence dans le réservoir de carburant.



Pour remplacer le filtre à essence:

1. Assurez-vous que le réservoir d'essence est vide.
2. Retirez le bouchon d'essence.
3. À l'aide d'un fil de fer croché, retirez avec précaution le filtre à essence par son ouverture.
4. Saisissez la conduite d'essence à côté du raccord du filtre à carburant et retirez le filtre, sans relâcher la conduite.
5. Tout en tenant la conduite d'essence, fixez le filtre à carburant neuf.
6. Remettez en place le filtre à essence dans le réservoir de carburant.
7. Assurez-vous que le filtre à essence n'est pas coincé dans un coin du réservoir et que la conduite d'essence n'est pas vrillée avant de remplir le réservoir.

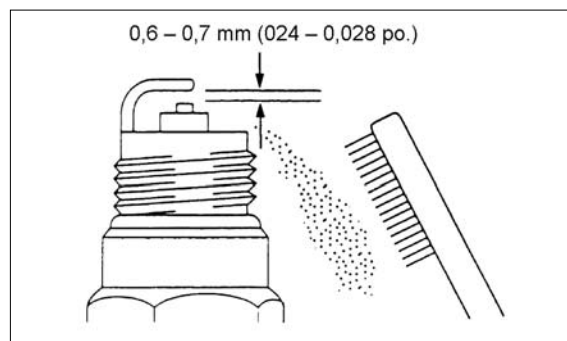
Bougie

Intervalle d'entretien

- La bougie doit être retirée du moteur et vérifiée toutes les 25 heures d'utilisation.
- Remplacez la bougie toutes les 100 heures d'utilisation.

Entretien de la bougie

1. Le moteur étant à température ambiante, tournez le capuchon du conducteur haute tension de la bougie plusieurs fois d'avant en arrière pour le desserrer, retirez-le ensuite de la bougie.
2. Retirez la bougie.
3. Une fois la bougie retirée, les électrodes peuvent être nettoyées avec une brosse dure.



4. Réglez l'écartement des électrodes entre 0,6 et 0,7 mm (0,024- 0,028 po).
5. Remplacez la bougie si elle est salie d'huile, endommagée ou si les électrodes sont usées.
6. Ne serrez pas trop la bougie en la posant. Le couple de serrage est de 10,7- 16,6 N.m (95- 148 po lb).

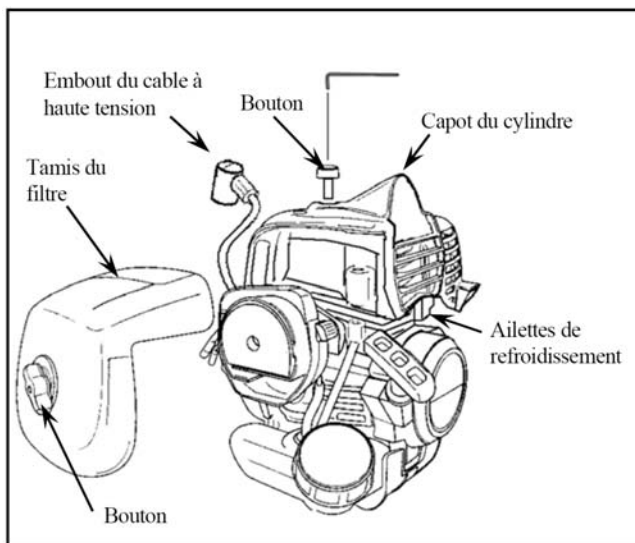
Ailettes de refroidissement du cylindre

Intervalle d'entretien

- Les ailettes de refroidissement doivent être nettoyées toutes les 25 heures de fonctionnement ou une fois par semaine, à la première des échéances.
- L'air doit s'écouler librement dans et autour des ailettes de refroidissement afin d'éviter une surchauffe du moteur. L'accumulation de feuilles, d'herbe, de poussière et de débris sur les ailettes augmente la température de fonctionnement du moteur, ce qui en réduit les performances et la durée de vie.

Nettoyage des ailettes de refroidissement du cylindre

1. Lorsque le moteur est à température ambiante, desserrez le bouton et ôtez le couvercle de filtre à air.
2. Tournez l'embout du câble à haute tension attaché à la bougie de gauche à droite à plusieurs reprises, pour le décoincer et détachez l'embout de la bougie.
3. Desserrez le bouton et levez le capot du cylindre.
4. Nettoyez toute la poussière et tous les débris des ailettes de refroidissement et autour de la base du cylindre.
5. Réinstallez les capots du cylindre et Tamis du filtre.



Pare-étincelles

⚠ AVERTISSEMENT

DANGER POTENTIEL

- La surface du silencieux devient chaude quand le coupe-bordure fonctionne et elle reste chaude pendant encore quelques temps après que le moteur est arrêté.

CE QUI PEUT SE PASSER

- Entrer en contact avec les surfaces chaudes d'un silencieux peut causer des brûlures.

COMMENT EVITER LE DANGER

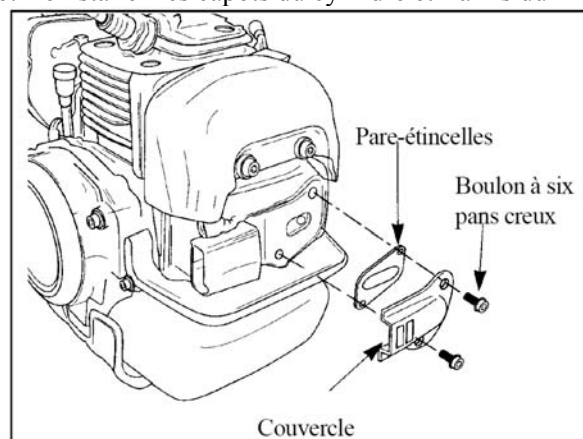
- Assurez-vous que le silencieux est refroidi avant de vérifier et de nettoyer le pare-étincelles.

Intervalle d'entretien

- Le pare-étincelles doit être vérifié et nettoyé après 25 heures d'utilisation.
- Remplacez le tamis s'il ne peut être totalement nettoyé ou s'il est endommagé.

Entretien du pare-étincelles

1. Lorsque le moteur est à température ambiante, desserrez le bouton et ôtez le couvercle de filtre à air.
2. Tournez l'embout du câble à haute tension attaché à la bougie de gauche à droite à plusieurs reprises, pour le décoincer et détachez l'embout de la bougie.
3. Desserrez le bouton et levez le capot du cylindre.
4. Ôtez le couvercle, le joint et le pare-étincelles et nettoyez-les avec une brosse dure et un solvant de nettoyage. Remplacez les pièces qui ne peuvent plus être nettoyées.
5. Réinstallez le pare-étincelles et le couvercle sur le silencieux, et vissez et serrez les deux boulons à six pans creux.
6. Réinstallez les capots du cylindre et Tamis du filtre.



Silencieux d'échappement Intervalle d'entretien

Le silencieux doit être vérifié et nettoyé toutes les 100 heures d'utilisation.

Entretien du silencieux

1. Lorsque le moteur est à température ambiante, desserrez le bouton et ôtez le couvercle de filtre à air.
2. Tournez l'embout du câble à haute tension attaché à la bougie de gauche à droite à plusieurs reprises, pour le décoincer et détachez l'embout de la bougie.
3. Desserrez le bouton et levez le capot du cylindre.
4. Ôtez le pare-étincelles (voir Entretien du pare-étincelles), et nettoyez le silencieux avec une brosse dure.

IMPORTANT: Ne jamais utiliser un solvant pour le nettoyage de l'intérieur du silencieux, afin de ne pas abimer le pot catalytique dans le silencieux. Faites attention à ne pas laisser rentrer de débris ou de la poussière dans la lumière d'échappement. Cela pourrait abimer le moteur.

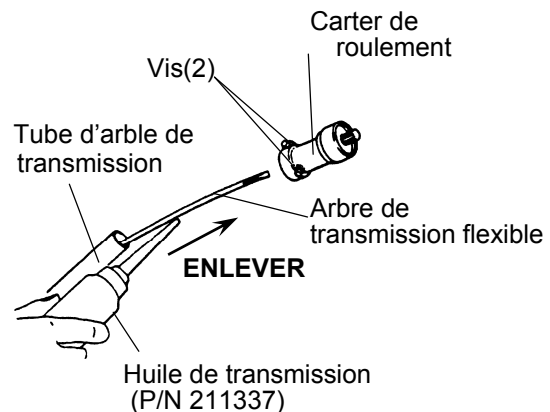
5. Réinstallez le pare-étincelles et le couvercle sur le silencieux, et vissez et serrez les deux boulons à six pans creux.
6. Réinstallez les capots du cylindre et Tamis du filtre.

Arbre de transmission flexible Fréquence d'entretien

L'arbre de transmission flexible devrait être lubrifié toutes les 30 heures de travail.

Lubrification de l'arbre de transmission

Dévisser les deux vis de la carter de roulements et enlever cette dernière. Pour retirer aisément la partie inférieure de l'arbre de transmission flexible, saisir-en fermement l'extrémité et tirer-la du tube de l'arbre de transmission. Lubrifier toute la longueur de l'arbre de transmission flexible et remettre-le dans le tube. Si la fixation de l'outil est connectée au moteur, tourner l'arbre flexible tout en poussant de façon à ce qu'il reprenne bien sa place. Réinstaller la boîte de roulements sur le tube de l'arbre de transmission et serrer les deux vis.



Nettoyage et serrage normaux

Le Coupe-bordures MARUYAMA fournira une performance maximum pour de nombreuses heures s'il est correctement entretenu.

AVERTISSEMENT

DANGER POTENTIEL

• **Quand le moteur tourne, le dispositif de coupe tourne et les autres pièces sont en mouvement.**

CE QUI PEUT SE PASSER

• **Entrer en contact avec la tête rotative ou une autre pièce en mouvement peut causer une blessure personnelle grave ou même la mort.**

COMMENT EVITER LE DANGER

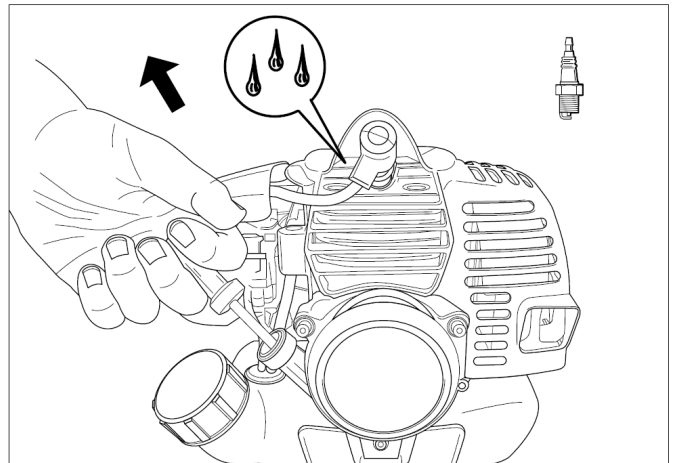
• **Éteignez toujours votre coupe-bordures avant de le nettoyer ou de faire des opérations d'entretien.**

Un bon entretien comprend la vérification régulière du bon serrage de toutes les pièces de fixation et le nettoyage de la machine entière.

Remisage

Pour un remisage à long terme du coupebordures:

1. Videz le réservoir d'essence dans un bidon de stockage de carburant adapté.
2. Pompez la poire d'amorçage sur le carburateur jusqu'à ce que l'essence soit chassée dans la conduite transparente de retour de carburant.
3. Faites tourner le moteur pour retirer le carburant restant dans le carburateur.
4. Effectuez toutes les procédures d'entretien régulier et toutes les réparations nécessaires.
5. Retirez la bougie et appliquez une petite quantité d'huile dans le cylindre.



ATTENTION

DANGER POTENTIEL

• **Lorsque vous tirez sur la poignée du démarreur, de l'huile peut gicler sur l'orifice de bougie.**

CE QUI PEUT SE PASSER

• **L'huile peut causer une blessure aux yeux.**

COMMENT EVITER LE DANGER

• **Protégez vos yeux et n'approchez pas votre visage de l'orifice de bougie.**

6. Tirez une fois sur la corde du démarreur.
7. Tirez lentement la poignée du démarreur pour amener le piston en haut du cylindre.
8. Remplacez la bougie.
9. Remisez le coupe-bordures dans un endroit sec, à l'abri de la chaleur excessive, des étincelles ou d'une flamme nue.

Dépannage

Problème	Cause	Mesure correctrice
Ne moteur ne démarre pas	Le bouton d'arrêt d'urgence "STOP" est sur off (position d'arrêt). Le réservoir d'essence est vide. La poire d'amorçage n'a pas été pressée suffisamment. Le moteur est noyé.	Placez le bouton sur "ON" (marche). Remplissez le réservoir d'essence. Pressez la poire d'amorçage jusqu'à ce que le carburant s'écoule dans la conduite de retour de carburant. Reportez-vous à la procédure de démarrage à chaud.
Le moteur ne fonctionne pas au ralenti	La vitesse du ralenti n'a pas été correctement réglée.	Réglez la vitesse du ralenti.
Le moteur manque de puissance ou cale lors de la coupe.	Le câble de la manette des gaz est desserré. Le filtre à air est sale. Le pare-étincelles est bouché ou l'orifice d'échappement.	Serrez le câble de la manette des gaz. Nettoyez ou remplacez le filtre à air. Nettoyez le pare-étincelles ou l'orifice d'échappement.

Pour toute assistance, veuillez contacter votre concessionnaire agréé Maruyama local.

Spécifications

	B23C
Poids * ¹ (lbs)	9.9 (4.5kg)
Cylindrée du moteur (cm ³)	22.5
Anti Vibration	Poignée
Carburateur	Walbro Type de Diaphragme
Allumage	État solide
Contenance du réservoir (qts.)	0.63 (0.6ℓ)
l'essence pour huiler ratio	50:1
Bougie	NGK BPM8Y
Écartement de bougie (in.)	.024 - .028 (0.6 - 0.7 mm)
Homologation EPA et CARB	Phase3, Tier 3

Durabilité d'émission de 300 heures.

*1. Poids sans carburant, accessoire de coupe.

Périod d'entretien

	Entretien	Quotidien	Toutes les 25 heures	Toutes les 50 heures	Toutes les 100 heures
	Vérifiez et ajoutez de l'essence	●			
	Vérifiez qu'il n'y a pas de fuite d'essence	●			
	Vérifiez que les boulons, écrous et vis sont tous serrés et qu'il n'en manque aucun	●			
	Vérifiez le réglage de la vitesse de ralenti du moteur	●			
■	Nettoyez le filtre à air	●			
	Nettoyez le pare-étincelles et réglez l'écartement des électrodes		●		
■	Retirez la poussière et la saleté des ailettes d'échappement		●		
●	Nettoyez le pare-étincelles		●		
	Serrez les boulons et les écrous			●	
●	Retirez les résidus de carbone de l'orifice d'échappement			●	
	Remplacez le filtre à essence				●
●	Retirez les résidus de carbone de la tête du piston et de la chambre de combustion				●
●	Retirez les résidus de carbone des orifices de transfert				●
	Remplacez le tube de carburant et le joint torique du bouchon du réservoir	C'est recommandé pour remplacer chaque 3 années			

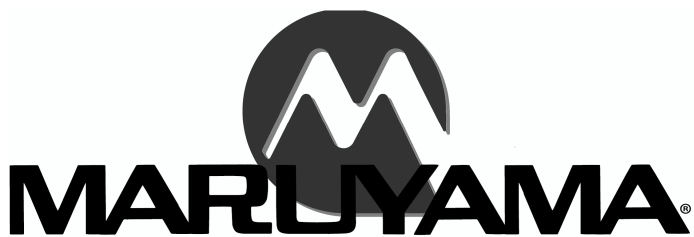
● : L'entretien doit être réalisé par un concessionnaire agréé Maruyama.

■ : Effectuez l'entretien plus souvent lors de conditions de fonctionnement poussiéreuses.

REMARQUE:

Les intervalles d'entretien indiqués doivent être utilisés comme indication.

L'entretien sera réalisé plus fréquemment, si nécessaire, selon les conditions d'utilisation.



Maruyama U.S., Inc.
4770 Mercantile Drive, suite100,
Fort Worth, TX 76137 U.S.A
Phone 940-383-7400
Fax 940-383-7466

www.maruyama-us.com
P/N 233216-01 US/ES/FR 13.04 TAP/DP